

**IMPORTANT:**  
**Read Before Using**

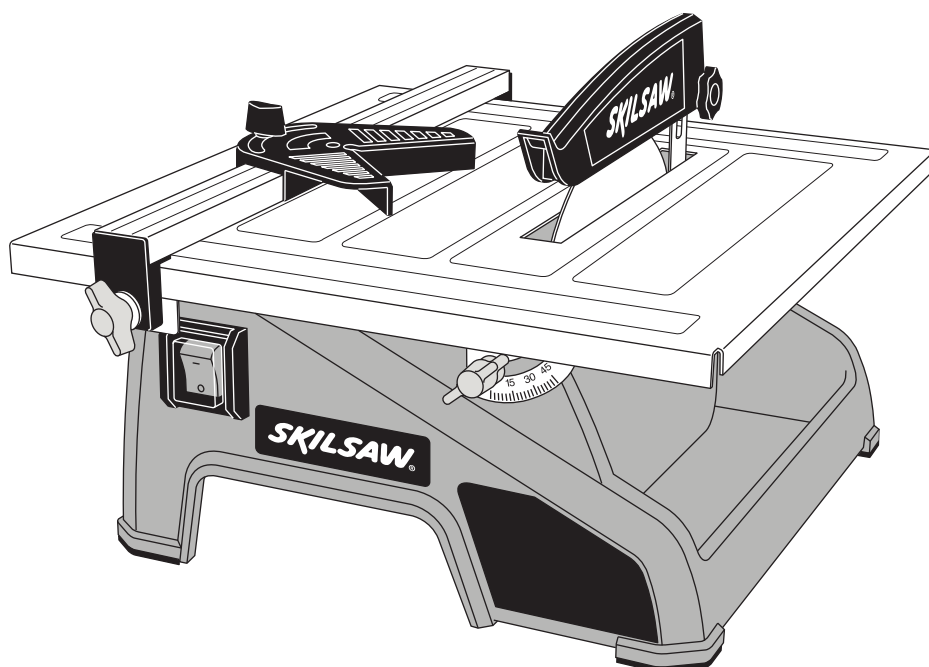
**IMPORTANT :**  
**Lire avant usage**

**IMPORTANTE:**  
**Leer antes de usar**



**Operating/Safety Instructions**  
**Consignes d'utilisation/de sécurité**  
**Instrucciones de funcionamiento y seguridad**

**3540**



**SKIL**<sup>®</sup>

**Call Toll Free for  
Consumer Information  
& Service Locations**

**Pour obtenir des informations et  
les adresses de nos centres de  
service après-vente,  
appelez ce numéro gratuit**

**Llame gratis para  
obtener información  
para el consumidor y  
ubicaciones de servicio**

**1-877-SKIL999 (1-877-754-5999) [www.skiltools.com](http://www.skiltools.com)**

**For English Version  
See page 2**

**Version française  
Voir page 16**

**Versión en español  
Ver la página 30**

# Safety



## WARNING

“READ ALL INSTRUCTIONS” — Failure to follow the SAFETY RULES identified by BULLET (•) symbol listed BELOW and other safety precautions, may result in serious personal injury.

## General Safety Rules for Bench Top Tools

### Work Area

- **Keep work area clean and well lit.** Cluttered benches and dark areas invite accidents.
- **Do not operate power tools in explosive atmospheres, such as in the presence of flammable liquids, gases or dust.** Power tools create sparks which may ignite the dust or fumes.
- **Keep bystanders, children and visitors away while operating a power tool.** Distractions can cause you to lose control.
- **Store idle tools out of reach of children and other untrained persons.** Tools are dangerous in the hands of untrained users.
- **Do not leave tool running unattended, turn power off.** Do not leave tool until it comes to a complete stop.
- **MAKE WORKSHOP CHILDPROOF** with padlock, master switches, or by removing starter keys.

### Electrical Safety

- **Before plugging in the tool, be certain the outlet voltage supplied is compatible with the voltage marked on the nameplate within 10%.** An outlet voltage incompatible with that specified on the nameplate can result in serious hazards and damage to the tool.
- **Avoid body contact with grounded surfaces such as pipes, radiators, ranges and refrigerators.** There is an increased risk of electric shock if your body is grounded.
- **Do not expose power tools to rain or wet conditions.** Water entering a power tool will increase the risk of electric shock.
- **Do not abuse the cord. Never use the cord to carry the tools or pull the plug from an outlet. Keep cord away from heat, oil, sharp edges or moving parts. Replace damaged cords immediately.** Damaged cords increase the risk of electric shock.
- **Only use an outdoor extension cord marked “W-A” or “W”.** These cords are rated for outdoor use and reduce the risk of electric shock.

### Personal Safety

- **Stay alert, watch what you are doing and use common sense when operating a power tool.** A moment of inattention or use of drugs, alcohol or medication while operating power tools can be dangerous.
- **Dress properly. Do not wear loose clothing or jewelry. Contain long hair. Keep your hair, clothing and gloves away from moving parts. Loose clothes, jewelry or long hair can be caught in moving parts.** Roll long sleeves above elbows. Rubber gloves and non-skid footwear are recommended when working outdoors.
- **Avoid accidental starting. Be sure switch is “OFF” before plugging in.** Carrying tools with your finger on the switch or plugging in tools that have the switch “ON” invites accidents.
- **Remove adjusting keys or wrenches before turning the tool “ON”.** A wrench or a key that is left attached to a rotating part of the tool will be thrown.
- **Do not overreach, keep proper footing and balance at all times.** Proper footing and balance enables better control of the tool in unexpected situations.
- **Do not stand on tool or its stand.** Serious injury may occur if the tool is tipped or if the cutting tool is accidentally contacted. Do not store materials on or near the tool such that it is necessary to stand on the tool or its stand to reach them.
- **Use safety equipment. Always wear safety goggles.** Dust mask, safety shoes, hard hat or hearing protection must be used for appropriate conditions. Everyday eyeglasses only have impact resistant lenses. They are NOT safety glasses

**“SAVE THESE INSTRUCTIONS”**

# Safety



## WARNING

“READ ALL INSTRUCTIONS” — Failure to follow the SAFETY RULES identified by BULLET (•) symbol listed BELOW and other safety precautions, may result in serious personal injury.

### Tool Use and Care

- **Use clamps or other practical way to secure and support the workpiece to a stable platform.** Holding the work by hand or against your body is unstable. It allows for work to shift, causes binding of the tool and loss of control.
- **Do not force tool. Use the correct tool for your application.** The correct tool will do the job better and safer at the rate for which it is designed. Do not use the tool for purpose not intended.
- **Do not use tool if switch does not turn it “ON” or “OFF”.** Any tool that cannot be controlled with the switch is dangerous.
- **Disconnect the plug from the power source before making any adjustments or changing accessories.** Such preventive safety measures reduce the risk of starting the tool accidentally.
- **Keep cutting tools sharp and clean.** Properly maintained tools, with sharp cutting edges, are less likely to bind and easier to control. When mounting saw blades be certain that the arrow on the blade matches the direction of the arrow marked on the tool and that the teeth are also pointing in the same direction.
- **Inspect guards before using a tool. Keep guards in place. Check moving parts for binding or any other condition that may affect the normal operation or safety features of the tool. If damaged, have tool serviced before using the tool.** Many accidents are caused by poorly maintained tools.
- **Do not alter or misuse tool.** Any alteration or modification is a misuse and may result in serious personal injury.
- **The use of any other accessories not specified in this manual may create a hazard.** Accessories that may be suitable for one type of tool, may become hazardous when used on an inappropriate tool.

### Service

- **Tool service must be performed only by qualified repair personnel.** Service or maintenance performed by unqualified personnel may result in misplacing internal wires and components which could cause serious hazard.
- **When servicing a tool, use only identical replacement parts. Follow instructions in the Maintenance section of this manual.** Use of unauthorized parts or failure to follow Maintenance Instructions may create a hazard.

### Safety Rules for Tile Saws

- **To reduce the risk of electrocution, keep all connections dry and off the ground. Do not touch plug with wet hands.**
- **To reduce the risk of electric shock, plug tile saw into Ground Fault Circuit Interrupter (GFCI) protected outlet only. If a GFCI protected outlet is not available, use a portable receptacle with built-in GFCI protection.**
- **Disconnect saw from power source before making adjustments, servicing, cleaning, or changing blade.**
- **Replace damaged tile blades before operating.**
- **Use tool only with smooth edge tile blades free of openings and grooves.**
- **After turning saw OFF, wait for blade to stop before removing cutoff pieces or changing settings.**
- **Use top guard for every operation for which it can be used.**
- **Do not reach in back of the saw blade with either hand to hold down or support the workpiece, remove scraps, or for any other reason.** The proximity of the spinning tile blade to your hand may not be obvious and you may be seriously injured.
- **Always disconnect the power cord from the power source before making any adjustments or attaching any accessories.** You may unintentionally start the saw, leading to serious personal injury.
- **Do not use the saw until the table is clear of all tools, scraps, etc., except the workpiece and related feed or supported devices for the operation planned.** Small debris or loose pieces of tile or other objects that contact the revolving blade can be thrown with high speed at the operator.
- **Empty water from tile saw base before transporting.** Water left in base can splash into electrical components.

**“SAVE THESE INSTRUCTIONS”**

## Safety

**⚠ WARNING** “READ ALL INSTRUCTIONS” — Failure to follow the SAFETY RULES identified by BULLET (•) symbol listed BELOW and other safety precautions, may result in serious personal injury.

- **Cut only one workpiece at a time.** Multiple workpieces cannot be adequately clamped or braced and may bind on the blade or shift during cutting.
- **Be certain the tile saw is mounted or placed on a level, firm work surface before using.** A level and firm work surface reduces the risk of the tile saw becoming unstable.
- **This tool is not equipped with provisions for attaching an auxiliary fence.** Insure that the work piece is supported by the fence before cutting.
- **Do not use another person as a substitute for a table extension or as additional support.** Unstable support for the workpiece can cause the blade to bind or the workpiece to shift during the cutting operation pulling you and the helper into the spinning wheel.
- **The cutoff piece must not be jammed against or pressured by any other means against the spinning tile blade.** If confined, i.e. using length stops, it could get wedged against the blade and thrown toward you.
- **Let the blade reach full speed before contacting the workpiece.** This will help avoid thrown workpieces.
- **If the workpiece or blade becomes jammed or bogged down, turn tile saw “OFF” by releasing switch. Wait for all moving parts to stop and unplug the tile saw, then work to free the jammed material.** Continued sawing with jammed workpiece could cause loss of control or damage to tile saw.

**⚠ WARNING** Some dust created by power sanding, sawing, grinding, drilling, and other construction activities contains chemicals known to cause cancer, birth defects or other reproductive harm. Some examples of these chemicals are:

- Lead from lead-based paints,
- Crystalline silica from bricks and cement and other masonry products, and
- Arsenic and chromium from chemically treated lumber.

Your risk from these exposures varies, depending on how often you do this type of work. To reduce your exposure to these chemicals: work in a well ventilated area, and work with approved safety equipment, such as those dust masks that are specially designed to filter out microscopic particles.

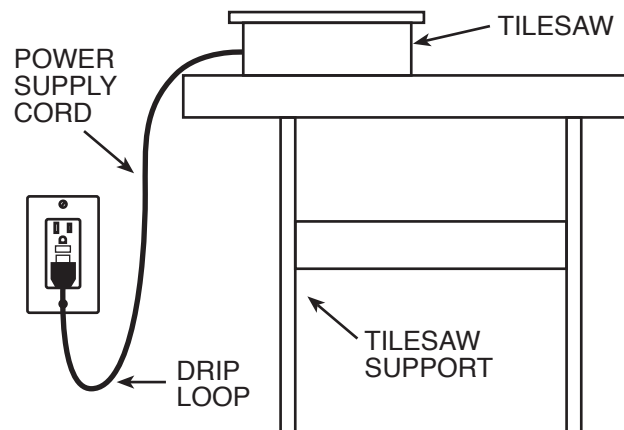
- **There are additional safety instructions for particular operations of the saw in the operating section. Read the rest of the manual for safe operation.**

### LOCATION

Use the tile saw in a well lit area and on a level surface, clean and smooth enough to reduce the risk of trips and falls. Use it where neither the operator nor the casual observer is forced to stand in line with the blade.

To avoid the possibility of the appliance plug or receptacle getting wet, position tile saw to one side of a wall mounted receptacle or plug. The user should arrange a “drip loop” in the cord connecting the saw to a receptacle. The “drip loop” is that part of the cord below the level of the receptacle, or the connector if an extension cord is used, to prevent water traveling along the cord and coming in contact with the receptacle.

**⚠ DANGER** To reduce the risk of electrocution, **DON'T** unplug the cord if the plug or receptacle gets wet. Disconnect the fuse or circuit breaker that supplies power to the tool. Then unplug and examine for presence of water in the receptacle.



**“SAVE THESE INSTRUCTIONS”**

# Safety



## WARNING

“READ ALL INSTRUCTIONS” — Failure to follow the SAFETY RULES identified by BULLET (•) symbol listed BELOW and other safety precautions, may result in serious personal injury.

- If any part of your saw is missing, malfunctioning, has been damaged or broken ... such as the motor switch, or other operating control, a safety device or the power cord ... cease operating immediately until the particular part is properly repaired or replaced.
- NEVER place your face or body in line with the cutting tool.
- NEVER place your fingers and hands in the path of the sawblade or other cutting tool.
- DO NOT perform any operation “FREEHAND” — always use the fence to position and guide the work for both rip cuts and crosscuts.
- Provide adequate support to the rear and sides of the saw table for wider or long workpieces.
- If you stall or jam the tile blade in the workpiece, turn saw “OFF”, remove the workpiece from the tile blade, and check to see if the tile blade is parallel to the table slots or grooves and if the riving knife is in proper alignment with the sawblade. If ripping at the time, check to see if rip fence is parallel with the sawblade. Readjust as indicated.
- DO NOT remove small pieces of cut-off material that may become trapped inside the blade guard while the saw is running. This could endanger your hands or cause a kickback. Turn saw “OFF” and wait until blade stops.

## KNOW YOUR CUTTING TOOLS

Dull, gummy or improperly sharpened or set cutting tools can cause material to stick, jam, stall the saw, or kickback at the operator. Minimize potential injury by proper cutting tool and machine maintenance. NEVER ATTEMPT TO FREE A STALLED SAWBLADE WITHOUT FIRST TURNING THE SAW OFF.

•NEVER use toothed blade on the tile saw.

•Make sure the cutting tool rotates in the same direction as the rotation arrow on the upper guard. Also make sure the cutting tool, arbor collars and arbor nut are installed properly. Keep the cutting tool as low as possible for the operation being performed. Keep all guards in place whenever possible.

• Do not use any blade or other cutting tool marked for an operating speed less than 3600 R.P.M. Never use a cutting tool larger in diameter than the diameter for which the saw was designed.

**“SAVE THESE INSTRUCTIONS”**

# Safety

**⚠ WARNING** “READ ALL INSTRUCTIONS” — Failure to follow the SAFETY RULES identified by BULLET (•) symbol listed BELOW and other safety precautions, may result in serious personal injury.

- **Do not allow familiarity gained from frequent use of your tile saw to become commonplace.** Always remember that a careless fraction of a second is sufficient to inflict severe injury.
- **THINK SAFETY!** SAFETY IS A COMBINATION OF OPERATOR’S COMMON SENSE, KNOWLEDGE OF THE SAFETY AND OPERATING INSTRUCTIONS AND ALERTNESS AT ALL TIMES WHEN THE TILE SAW IS BEING USED.

**⚠ WARNING** THE WARNINGS SHOWN BELOW CAN BE FOUND ON YOUR TOOL. THESE WARNINGS ARE ONLY A CONDENSED FORM OF THE MORE DETAILED SAFETY RULES AND PRECAUTIONS THAT APPEAR IN YOUR OWNER’S MANUAL. THEY SERVE AS A REMINDER OF ALL SAFETY RULES NEEDED FOR SAFE OPERATION OF THIS TILE SAW.

## ⚠ WARNING

For Your Own Safety – Read and understand owner’s manual before operating saw.

- ▲ Wear eye protection, earplugs and dust mask.
- ▲ To reduce the risk of electrical shock, plug tile saw into GFCI protected outlet only.
- ▲ Keep all connections dry and off the ground.
- ▲ Do not touch plug with wet hands.
- ▲ Disconnect saw from power source before servicing, cleaning or changing blade.
- ▲ Replace damaged cutting wheels before operating.
- ▲ Use tool only with smooth edge cutting wheels free of openings and grooves.
- ▲ After turning saw OFF, wait for blade to stop before removing cutoff pieces or changing settings.
- ▲ Use splash hood for every operation for which it can be used.
- ▲ Use cutting wheel rated 3600/min or greater.
- ▲ Do not expose to rain or use in damp locations.
- ▲ When servicing, use only identical replacement parts.

## ⚠ ADVERTENCIA

Para su propia seguridad: Lea y entienda el manual del usuario antes de utilizar la sierra.

- ▲ Use protección de los ojos, tapones de oídos y máscara antipolvo.
- ▲ Para reducir el riesgo de descargas eléctricas, enchufe la sierra para baldosa solamente en un tomacorriente protegido con un interruptor de GFCI.
- ▲ Mantenga todos los conectores secos y separados del piso.
- ▲ No toque el enchufe con las manos mojadas.
- ▲ Desconecte la sierra de la fuente de alimentación antes de hacerle servicio de ajustes y reparaciones. Limpíela o cambíela la hoja.
- ▲ Reemplace las ruedas de corte dañadas antes utilizar la herramienta.
- ▲ Utilice la herramienta solamente con ruedas de corte de borde liso que estén libres de aberturas y ranuras.
- ▲ Después de APAGAR la sierra, espere a que la hoja se detenga antes de retirar las piezas cortadas o cambiar los ajustes.

- ▲ Utilice una cubierta antisplacaduras para cada operación para la cual se pueda usar.
- ▲ Utilice una rueda de corte con una capacidad nominal de 3600/min o mayor.
- ▲ No la exponga a la lluvia ni la utilice en lugares húmedos.
- ▲ Cuando haga servicio de ajustes y reparaciones, utilice únicamente piezas de repuesto idénticas.

## ⚠ AVERTISSEMENT

Pour votre propre sécurité – Lisez et comprenez le mode d’emploi avant de vous servir de la scie.

- ▲ Portez des verres protecteurs, des bouche-oreilles et un masque contre les poussières.
- ▲ Pour réduire le risque de choc électrique, ne branchez la scie pour carrelages que dans une prise de courant munie d’un disjoncteur de fuite à la terre.
- ▲ Gardez toutes les connexions sèches et à distance du sol.
- ▲ Ne touchez pas la fiche si vous avez les mains mouillées.
- ▲ Débranchez la scie de la source d’alimentation électrique avant de la réparer, de la nettoyer ou d’en changer la lame.
- ▲ Remplacez tout disque de coupe endommagé avant de mettre l’outil en marche.

- ▲ Utilisez seulement l’outil avec des disques de coupe aux bords lisses sans rainures ou ouvertures.
- ▲ Après avoir arrêté la scie, attendez que la lame cesse de tourner avant de retirer les morceaux coupés ou de changer des réglages.
- ▲ Utilisez le capot de protection contre la projection d’éclats pour toutes les opérations avec lesquelles il peut être utilisé.
- ▲ Utilisez un disque de coupe de vitesse nominale 3600/min ou plus rapide.
- ▲ N’exposez pas à la pluie et n’utilisez pas dans des endroits humides.
- ▲ Lors de toute réparation, n’utilisez que des pièces de rechange identiques.

**SKILSAW 3540**

F012354000 07" (180mm) TILE SAW  
120V- 60Hz 4.2A n<sub>c</sub> 3600/min (RPM)

Chervon North America,  
Naperville, IL

Made in China

UL LISTED  
E37888

“SAVE THESE INSTRUCTIONS”



# Safety

**⚠ WARNING** “READ ALL INSTRUCTIONS” — Failure to follow the SAFETY RULES identified by BULLET (•) symbol listed BELOW and other safety precautions, may result in serious personal injury.

## Motor Specifications

In the event of a malfunction or breakdown, grounding provides a path of least resistance for electric current to reduce the risk of electric shock. This tool is equipped with an electric cord having an equipment-grounding conductor and a grounding plug. The plug must be plugged into a matching outlet that is properly installed and grounded in accordance with all local codes and ordinances. This saw is wired for operation on 110-120 volts, 60 Hz. alternating current. Before connecting the motor cord to power source, make certain the switch is in the “OFF” position and be sure the electric current is of the same characteristics as stamped on the tile saw nameplate.

## Connection To A Power Source

This machine must be grounded while in use to protect the operator from electric shock.

Plug power cord into a 110-120V properly grounded GFCI type outlet protected by a 15-amp dual element time delay fuse or circuit breaker.

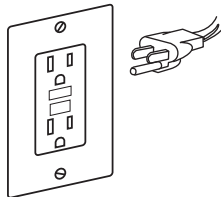
Not all outlets are properly grounded. If you are not sure that your outlet, as pictured on this page, is properly grounded; have it checked by a qualified electrician.

**⚠ DANGER** To avoid electric shock, do not touch the metal prongs on the plug when installing or removing the plug to or from the outlet.

**⚠ DANGER** Failure to properly ground this power tool can cause electrocution or serious shock, particularly when used near metal plumbing or other metal objects. If shocked, your reaction could cause your hands to hit the tool.

**⚠ DANGER** If power cord is worn, cut or damaged in any way, have it replaced immediately to avoid shock or fire hazard.

Your unit is for use on 120 volts and is equipped with a 3-conductor cord and grounding type plug, approved by Underwriters Laboratories and the Canadian Standards Association. The ground conductor has a green jacket and is attached to the tool housing at one end and to the ground prong in the attachment plug at the other end.



If the outlet you are planning to use for this power tool is of the two-prong type, **DO NOT REMOVE OR ALTER THE GROUNDING PRONG IN ANY MANNER.** Have a qualified electrician replace the TWO-prong outlet with a properly grounded THREE-prong outlet.

Improper connection of the equipment-grounding conductor can result in a risk of electric shock. The conductor with insulation having an outer surface that is green with or without yellow stripes is the equipment grounding conductor. If repair or replacement of the electric cord or plug is necessary, do not connect the equipment grounding conductor to a live terminal.

Check with a qualified electrician or service personnel if the grounding instructions are not completely understood, or if in doubt as to whether the tool is properly grounded.

## Extension Cords

Always use proper extension cord. The use of any extension cord will cause some loss of power. To keep this to a minimum and to prevent overheating and motor burn-out, use the table below to determine the minimum wire size (A.W.G.) extension cord. Use only 3-wire extension cords which have 3-prong grounding type plugs and 3-pole receptacles which accept the tool’s plug. Make sure your extension cord is in good condition.

Use only extension cords that are intended for outdoor use. These extension cords are identified by a marking “Acceptable for use with outdoor appliances, store indoors while not in use.” Use only extension cords having an electrical rating equal to or greater than the rating of the product. Do not use damaged extension cords. Examine the extension cord before using, and replace it if it is damaged. Do not abuse extension cords, and do not yank on any cord to disconnect it. Keep the cord away from heat and sharp edges. Always disconnect the extension cord from the receptacle before disconnecting the product from the extension cord.

- Replace damaged cords immediately. Use of damaged cords can shock, burn or electrocute.
- If an extension cord is necessary, a cord with adequate size conductors should be used to prevent excessive voltage drop, loss of power or overheating. The table shows the correct size to use, depending on cord length and nameplate amperage rating of tool. If in doubt, use the next heavier gauge. Always use U.L. and CSA listed extension cords.

RECOMMENDED SIZES OF EXTENSION CORDS

Tool’s Ampere Rating	120 Volt A.C. Tools Cord Length in Feet Cord Size in A.W.G.			
	25	50	100	150
0-6	18	16	16	14
6-10	18	16	14	12
10-12	16	16	14	12
12-16	14	12	—	—

NOTE: The smaller the gauge number, the heavier the cord.

**“SAVE THESE INSTRUCTIONS”**

## Table of Contents

General Safety Rules.....	2	Operation .....	12-14
Additional Safety Rules.....	3-6	Filling the Water Trough .....	12
Motor Specifications and Electrical Requirements....	7	Starting and Stopping .....	13
Table of Contents.....	8	Making a Flat Cut .....	13
Glossary of Terms .....	8	Making a Miter Cut .....	14
Unpacking and Checking Contents .....	9	Making a Bevel Cut .....	14
Getting to Know Your Tile Saw .....	10	After Use.....	14
Assembly and Adjustments .....	11-12	Maintaining Your Tile Saw .....	15
Tile Blade Installation .....	11	Troubleshooting .....	15
Top Guard Installation .....	12		
Top Guard Alignment .....	12		

## Glossary of Terms

### **WORKPIECE**

The item on which the cutting operation is being performed. The surfaces of a workpiece are commonly referred to as faces, ends and edges.

### **ARBOR**

The shaft on which a cutting tool is mounted.

### **CROSSCUT**

A cutting or shaping operation made across the width of the workpiece cutting the workpiece to length.

### **FREEHAND**

Performing a cut without a fence, miter gauge, fixture, hold down or other proper device to keep the workpiece from twisting during the cut.

### **LEADING END**

The end of the workpiece which, during a rip type operation, is pushed into the cutting tool first.

### **RIPPING**

A cutting operation along the length of the workpiece cutting the workpiece to width.

### **REVOLUTIONS PER MINUTE (R.P.M.)**

The number of turns completed by a spinning object in one minute.



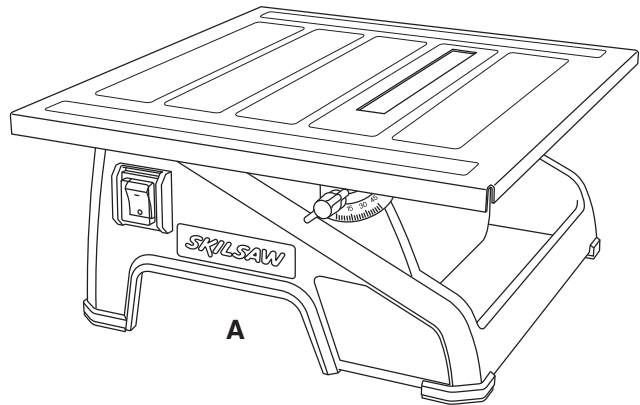
# Unpacking and Checking Contents

**⚠ WARNING** To reduce the risk of injury, never connect plug to power source outlet until all assembly steps are complete and until you have read and understood the entire owner's manual.

Model 3540 Tile Saw is shipped complete in one box.

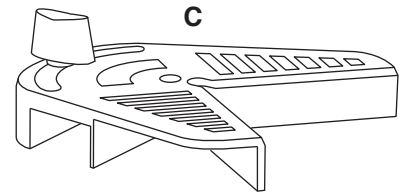
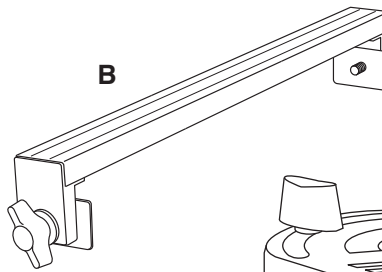
Unpacking and Checking Contents. Separate all parts from packing materials and check each one with the "Table of Loose Parts" to make sure all items are accounted for before discarding any packing material.

**⚠ WARNING** If any parts are missing, do not attempt to assemble the saw, plug in power cord or turn the switch on until the missing parts are obtained and are installed correctly.

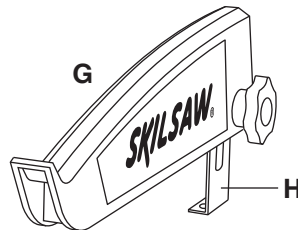
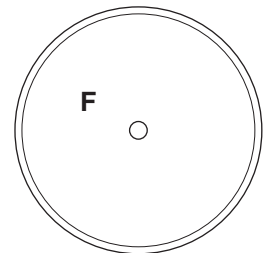
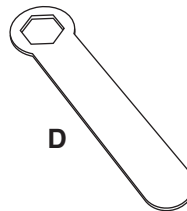
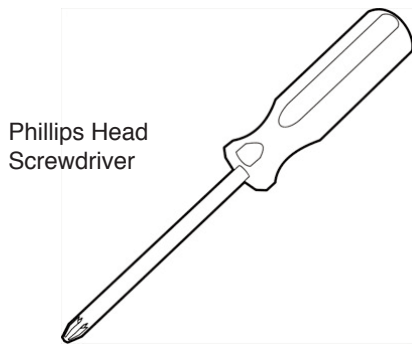


## Table of Loose Parts

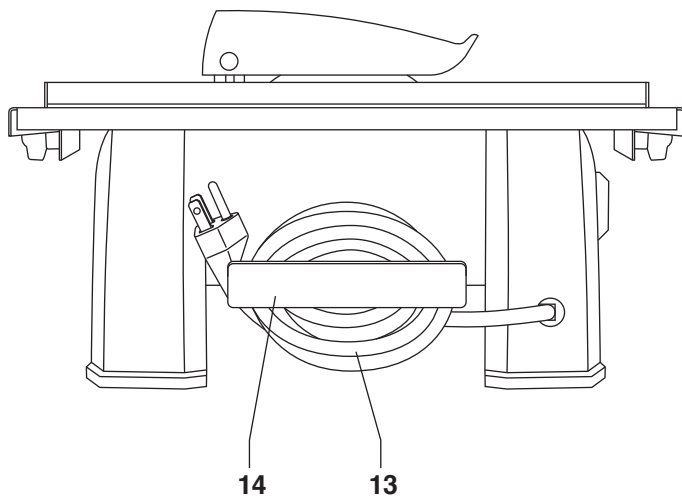
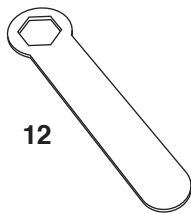
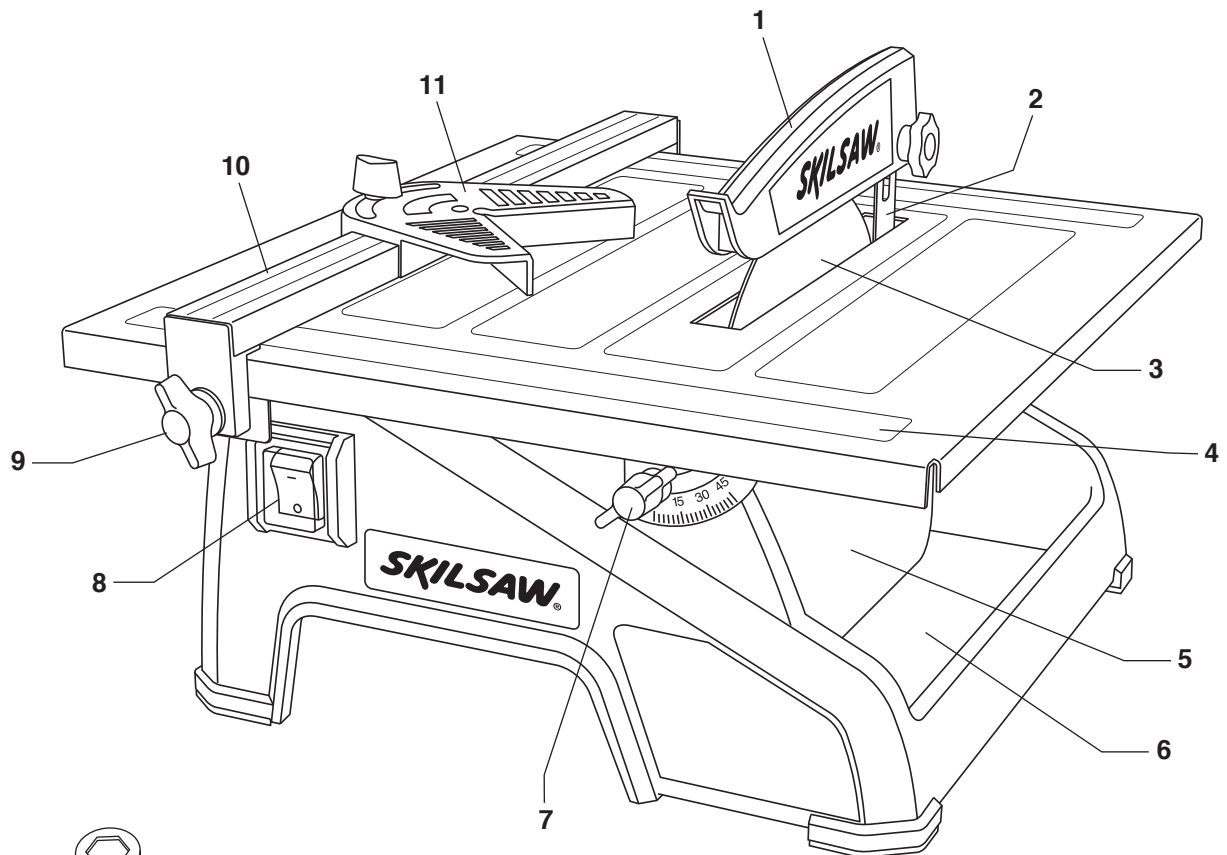
ITEM	DESCRIPTION	QTY.
A	Tile Saw	1
B	Rip Fence	1
C	Miter Gauge	1
D	Wrench	1
F	Tile Blade	1
G	Top Guard	1
H	Top Guard Arm	1



## Additional Tools Needed For Assembly



# Getting To Know Your Tile Saw



- 1. Top Guard
- 2. Top Guard Arm
- 3. Tile Blade
- 4. Ripping Scale
- 5. Lower Guard
- 6. Water Trough
- 7. Bevel Cutting Adjustment Knob
- 8. On / Off Switch
- 9. Fence Locking Knob
- 10. Fence
- 11. Miter Gauge
- 12. Wrench
- 13. Cord
- 14. Cord Wrap

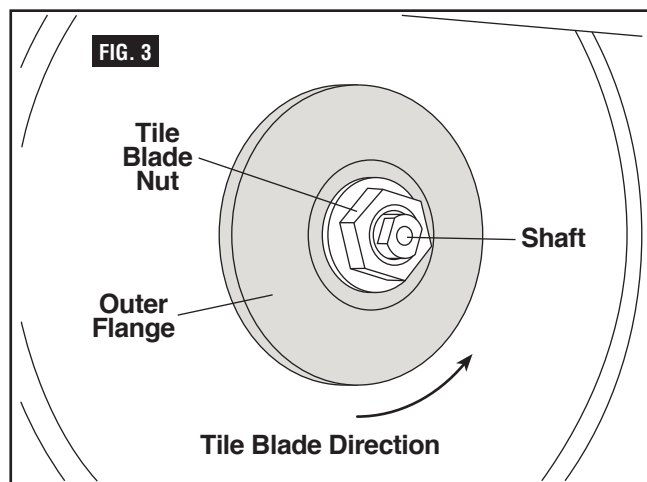
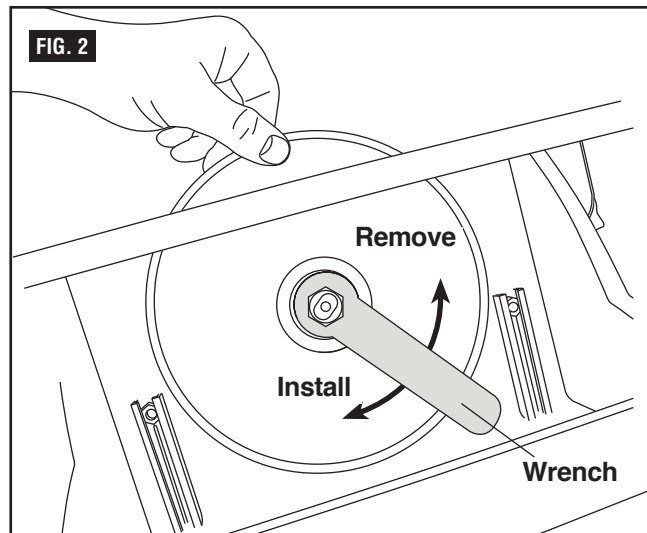
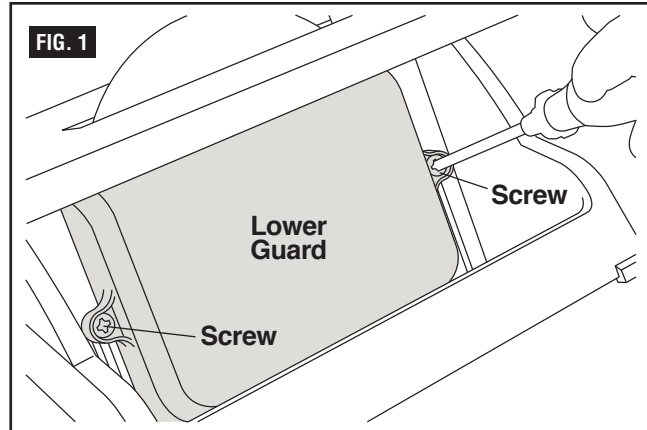
## Assembly and Adjustments

**⚠ WARNING** Disconnect the plug from the power source before making any adjustments or changing accessories. Such preventive safety measures reduce the risk of starting the tool accidentally.

### Tile Blade Installation

**⚠ WARNING** To reduce the risk of injury, do not use tile blade larger or smaller than 7" diameter, do not use tile blade with speed rating less than 3600 RPM. Only use smooth edge tile blade free of openings and grooves.

1. Remove the lower guard by using a number 2 screwdriver (not provided) to loosen the two securing screws (Fig. 1).
2. Hold the tile saw blade firmly by hand, then loosen the nut with nut wrench in a counterclockwise direction (Fig. 2).
3. Remove outer flange and the tile blade.
4. Ensure that the shaft and the flanges are clean.
5. Ensure that the directional arrow marked on the new tile blade is counterclockwise with the shaft. (Fig. 3). Ensure the outer flange is aligned with the shaft.
6. Install the new tile blade by reversing the steps required to remove the tile blade. DO NOT OVERTIGHTEN.
7. Ensure the tile blade is secure before using.



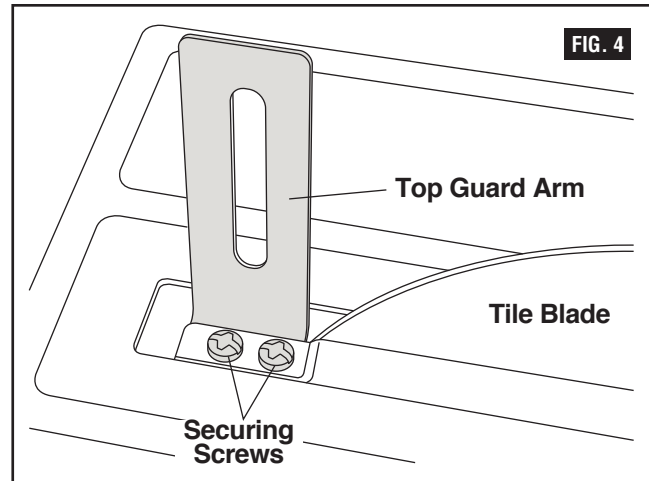
## Assembly and Adjustments

### Top Guard Installation

Place bottom edge of top guard arm underneath table top at rear of blade. Insert and tighten the two securing screws (Fig. 4).

### Top Guard Arm Adjustment

1. Remove the top guard by loosening the knob that secures it in place.
2. Loosen the two securing screws (Fig. 4) and ensure that the arm is in alignment with the tile blade.
3. Tighten the two securing screws.



## Operation

### Tile Saw Location

Use the tile saw in a well lit area and on a level surface, clean and smooth enough to reduce the risk of trips and falls. Use it where neither the operator nor the casual observer is forced to stand in line with the blade.

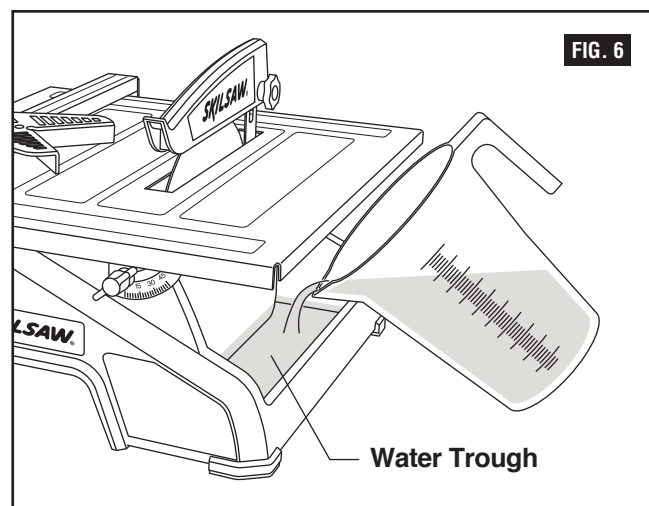
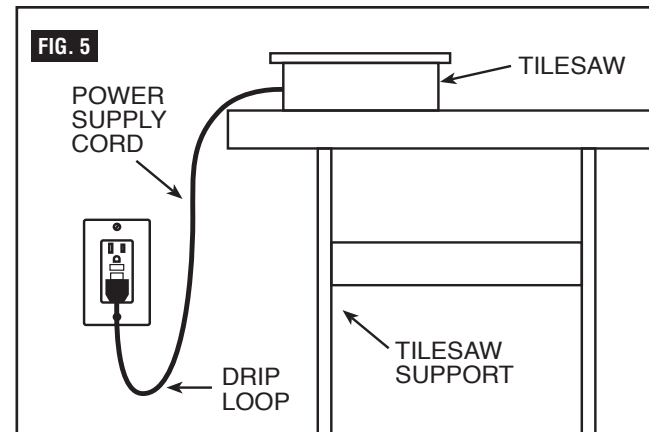
To avoid the possibility of the appliance plug or receptacle getting wet, position tile saw to one side of a wall mounted receptacle to prevent water from dripping onto the receptacle or plug. The user should arrange a “drip loop” in the cord connecting the saw to a receptacle. The “drip loop” is that part of the cord below the level of the receptacle, or the connector if an extension cord is used, to prevent water traveling along the cord and coming in contact with the receptacle.

**⚠ DANGER** To reduce the risk of electrocution, **DON'T** unplug the cord if the plug or receptacle gets wet. Disconnect the fuse or circuit breaker that supplies power to the tool. Then unplug and examine for presence of water in the receptacle.

### Filling the Water Trough

Fill the water trough with as much water as possible, but do not over-fill. Do not add chemicals or detergents to the water. (Fig. 6)

**⚠ CAUTION** Lack of water may damage the tile blade. Never turn on the machine without enough water in the tray. Add water if you notice saw dust in the air.



# Operation

## Starting and Stopping

**⚠ DANGER** To reduce the risk of electrocution, keep all connections dry and off the ground. Do not touch plug with wet hands.

**⚠ WARNING** To reduce the risk of electric shock, plug tile saw into Ground Fault Circuit Interrupter (GFCI) protected outlet only. If a GFCI protected outlet is not available, use a portable receptacle with built-in GFCI protection.

**⚠ WARNING** To reduce the risk of electric shock, always test GFCI to make sure it is functioning properly before plugging tile saw into GFCI protected receptacle.

Connect the unit to a power source with the correct voltage and frequency (120V, 60Hz).

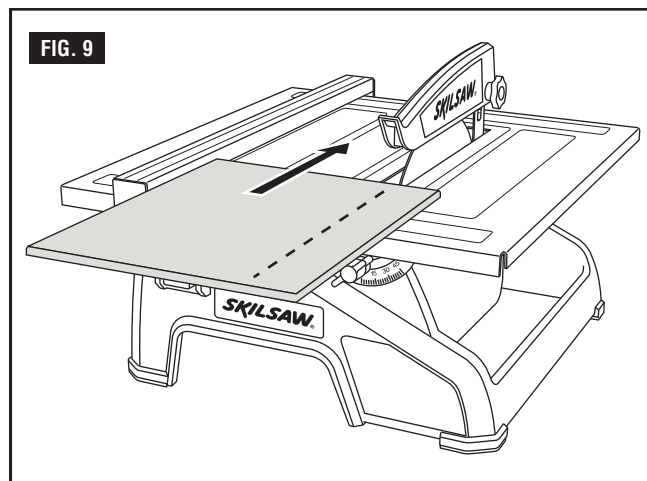
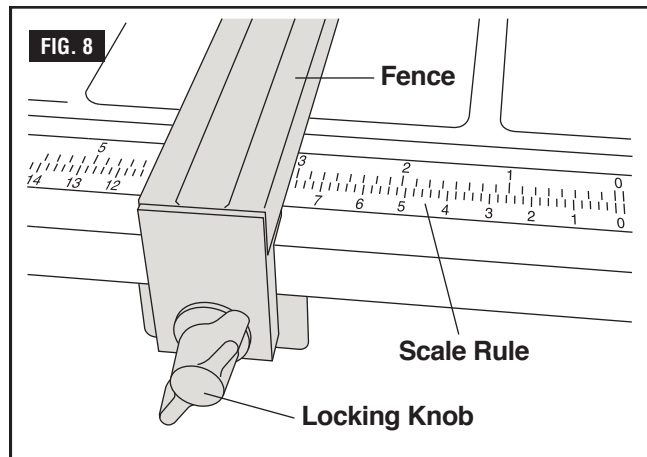
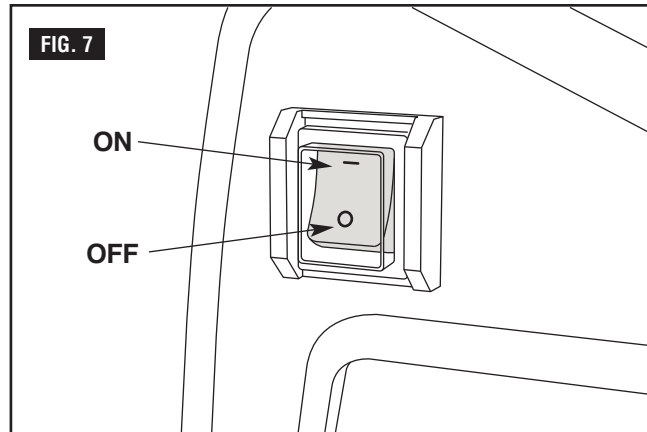
**To start the saw:** push the switch to “1” (ON) position (Fig. 7).

**To stop the saw:** push the switch to “0” (OFF) position (Fig. 7).

## Making a Flat Cut

1. Adjust the top guard/splash hood to slightly higher than the workpiece and tighten knob to secure.
2. Adjust the parallel rip fence to the desired distance from the tile blade, using the scale rules on the table surface for reference. Tighten the fence-locking knobs on each side to firmly lock the parallel rip fence on the table. (Fig. 8)
3. Place the work piece against the parallel rip fence, and feed the tile into the tile blade with a steady even pressure (forcing the tile will cause the blade to slow which could cause motor overheating). (Fig. 9)
4. Turn saw off when cutting is complete.

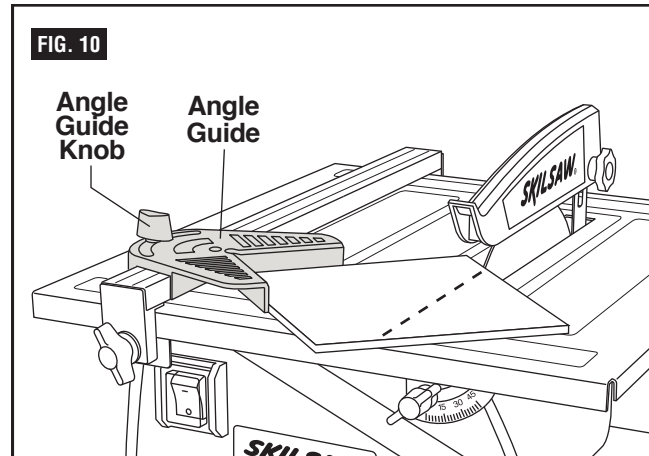
**⚠ WARNING** Never place your hand or fingers in the path of the tile blade.



# Operation

## Making a Miter Cut

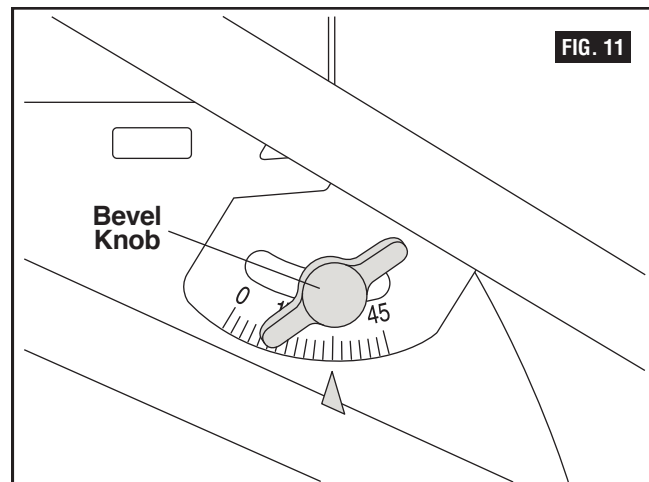
1. Adjust the parallel rip fence to the desired distance from the tile blade, using the scale rules on the table surface for reference. Tighten the fence-locking knobs on each side to firmly lock the parallel rip fence on the table. (Fig. 8)
2. Use the angle guide supplied in conjunction with the parallel rip fence.
3. Select the desired angle and tighten the screw to secure the angle guide (Fig. 10).
4. Place the tile against the angle guide. (Fig. 10).
5. Hold the tile firmly against the angle guide and feed it slowly toward the rotating tile blade.



## Making a Bevel Cut

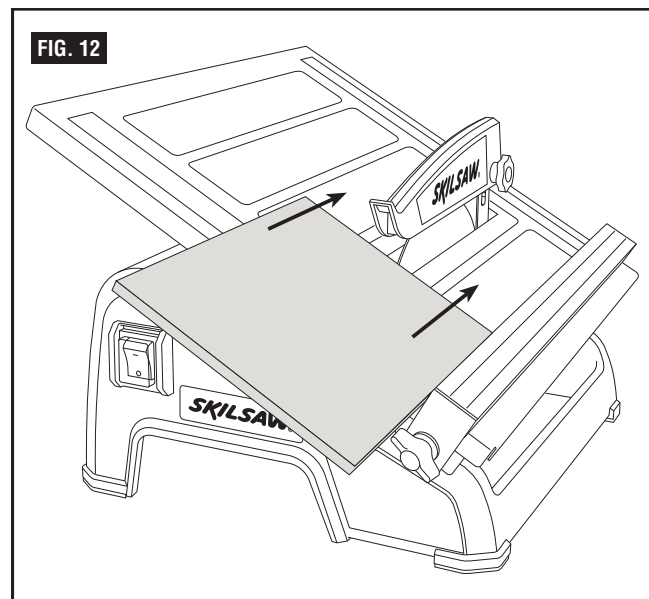
1. Loosen the bevel cutting knobs on both sides of the table (Fig. 11).
2. Tilt the table to the desired angle, using the scale for reference.
3. Tighten the bevel cutting knobs.
4. Follow the instructions for making a flat cut (Fig. 12).

**⚠ WARNING** To avoid possible injury, the rip fence should only be used on the right side of the table while making a bevel cut.



## After Use

- Verify the ON/OFF switch is in the OFF position.
- Unplug the tile saw from the power source.
- Clean the tile saw after each use.
- Empty and clean water trough.
- Wipe off all exterior surfaces and tile blade.





# Maintaining Your Tile Saw

## Maintenance

**⚠ WARNING** For your own safety, turn switch “OFF” and remove plug from power source outlet before maintaining or lubricating your saw.

The cord and the tool should be wiped with a dry clean cloth to prevent deterioration from oil and grease.

**⚠ WARNING** Certain cleaning agents and solvents can damage plastic parts. Some of these are: gasoline, carbon tetrachloride, chlorinated cleaning solvents, ammonia and household detergents which contain ammonia. Avoiding use of these and other types of cleaning agents will minimize the possibility of damage.

A coat of automobile-type wax applied to the table will help to keep the surface clean and allow workpieces to slide more freely.

If the power cord is worn or cut, or damaged in any way, have it replaced immediately.

**⚠ WARNING** All repairs, electrical or mechanical, should be attempted only by trained repairmen. Contact the nearest Factory Service Center or Authorized Service Station or other competent repair service. Use only identical replacement parts, any other may create a hazard.

## Accessories

**⚠ WARNING** Use only recommended accessories. Follow instructions that accompany accessories. Use of improper accessories may cause hazards.

## Troubleshooting

**⚠ WARNING** Turn switch “OFF” and always remove plug from the power source before trouble shooting.

TROUBLE	PROBLEM	REMEDY
Will not start	Power cord is not plugged in.	Plug in.
	Fuse or circuit breaker tripped.	Replace fuse or reset tripped circuit breaker.
	Cord damaged.	Have cord replaced by an Authorized Skil Service Center or Service Station.
	Burned out switch.	Have switch replaced by an Authorized Skil Service Center or Service Station.
Does not come up to speed	Extension cord too light or too long.	Replace with adequate cord.
	Low house voltage.	Contact your electric company.
Excessive vibration	Tile blade out of balance.	Discard tile blade and use different one, see page 11.
	Tile blade bolt not tight.	See “Tile Blade Installation”, page 11.

# Sécurité



## AVERTISSEMENT

« LISEZ TOUTES LES INSTRUCTIONS » — L'utilisateur qui négligerait de suivre les CONSIGNES DE SÉCURITÉ précédées d'un point noir (•) ci-dessous et de prendre d'autres précautions élémentaires risquerait de subir de graves blessures.

## Consignes générales de sécurité pour les outils d'établi

### Zone de travail

- **Gardez la zone de travail propre et bien éclairée.** Les établis encombrés et les endroits sombres invitent les accidents.
- **N'utilisez pas les outils électriques en atmosphères explosives, comme en présence de poussière, de gaz ou de liquides inflammables.** Les outils électriques créent des étincelles qui peuvent enflammer la poussière ou les vapeurs.
- **Gardez les spectateurs, les enfants et les visiteurs à l'écart lorsque vous utilisez un outil électrique.** Les distractions peuvent vous faire perdre le contrôle.
- **Rangez les outils inutilisés hors de portée des enfants et autres personnes sans formation à cet égard.** Les outils sont dangereux entre les mains d'utilisateurs non formés.
- **Ne laissez pas l'outil en marche, sans surveillance, mettez hors tension.** Ne laissez pas l'outil avant qu'il soit à l'arrêt complet.
- **RENDEZ L'ATELIER À L'ÉPREUVE DES ENFANTS** à l'aide de cadenas ou d'interrupteurs principaux, ou en retirant les clés du démarreur.

### Sécurité électrique

- **Avant de brancher l'outil à une prise de courant, assurez-vous que la tension fournie correspond, à 10 % près, à celle spécifiée sur la plaque signalétique.** Une tension de sortie incompatible avec celle spécifiée sur la plaque signalétique risque de blesser sérieusement l'utilisateur sans mentionner l'endommagement de l'outil.
- **Évitez tout contact corporel avec les surfaces mises à la terre telles que tuyaux, radiateurs, cuisinières et réfrigérateurs.** Ces surfaces posent un risque accru de secousses électriques si votre corps est mis à la terre.
- **N'exposez pas les outils électriques à la pluie ou à l'humidité.** L'eau pénétrant dans un outil électrique augmentera le risque de secousses électriques.
- **N'abusez pas du cordon. N'utilisez jamais le cordon pour transporter les outils et ne tirez pas la fiche d'une prise. Tenez le cordon à l'écart de la chaleur, de l'huile, des arêtes vives ou des pièces mobiles. Remplacez les cordons abîmés immédiatement.** Les cordons abîmés augmentent le risque de secousses électriques.
- **Utilisez seulement un cordon de rallonge pour extérieur marqué « W-A » ou « W ».** Ces cordons sont homologués pour emploi à l'extérieur et ils réduisent le risque de choc électrique.

### Sécurité personnelle

- **Demeurez vigilant, surveillez ce que vous faites et faites preuve de discernement en utilisant un outil électrique.** Un moment d'inattention ou la prise de drogues, d'alcool ou de médicaments peut s'avérer dangereux durant l'utilisation d'un outil électrique.
- **Portez des vêtements convenables. Ne portez pas de vêtements amples ni de bijoux. Pour les cheveux longs, nous conseillons le port d'un serre-tête. Tenez les cheveux, les vêtements et les gants à l'écart des pièces mobiles. Les vêtements amples, les bijoux ou les cheveux longs risquent de s'accrocher dans les pièces mobiles.** Roulez les manches longues au-dessus du coude. Le port de gants en caoutchouc et de chaussures à semelle antidérapante est recommandé si vous travaillez à l'extérieur.
- **Évitez la mise en marche accidentelle. Assurez-vous que l'interrupteur est à l'arrêt avant de brancher.** Le transport de l'outil avec le doigt sur l'interrupteur ou le branchement d'outils dont l'interrupteur est à la position de marche invite les accidents.
- **Enlevez les clés de réglage et autres clés avant de mettre l'outil en marche.** Une clé qui est laissée fixée à une pièce rotative de l'outil sera projetée.
- **Faites attention de ne jamais perdre l'équilibre. Soyez toujours bien stable et équilibré sur vos pieds.** La stabilité et un bon équilibre vous permettent de mieux contrôler l'outil dans des situations inattendues.
- **Ne montez pas sur l'outil ni sur son support.** Des blessures graves peuvent être causées en cas de basculement de l'outil ou de contact accidentel avec l'outil de coupe. Ne conservez pas de matériaux sur ou à proximité de l'outil de sorte qu'il soit nécessaire de monter sur l'outil ou son support pour les atteindre.
- **Utilisez l'équipement de sécurité. Portez toujours des lunettes à coques latérales.** Un masque anti-poussière, des chaussures de sécurité, un casque dur ou des protège-oreilles doivent être utilisés si la situation l'exige. Les lunettes de tous les jours comportent uniquement des verres résistant aux chocs. Ce NE SONT PAS des lunettes de sécurité.

« CONSERVEZ CES INSTRUCTIONS »

# Sécurité



**AVERTISSEMENT** « LISEZ TOUTES LES INSTRUCTIONS » — L'utilisateur qui négligerait de suivre les CONSIGNES DE SÉCURITÉ précédées d'un point noir (•) ci-dessous et de prendre d'autres précautions élémentaires risquerait de subir de graves blessures.

## Utilisation et entretien de l'outil

- **Utilisez des pinces ou autre façon pratique d'assujettir et de supporter l'ouvrage à une plate-forme stable.** Tenir l'ouvrage à la main ou contre son corps n'assure pas la stabilité voulue. L'ouvrage peut ainsi se déplacer, faire gripper l'outil et vous faire perdre le contrôle de l'outil.
- **Ne forcez pas l'outil. Utilisez l'outil convenant à votre application.** L'outil convenable exécutera le travail plus efficacement et plus sûrement à la vitesse à laquelle il est conçu. N'utilisez pas l'outil à une fin autre que celle à laquelle il est prévu.
- **N'utilisez pas l'outil si l'interrupteur ne le met pas en marche et à l'arrêt.** Tout outil qui ne peut être commandé par l'interrupteur est dangereux.
- **Débranchez la fiche de la prise de courant avant d'effectuer tout réglage ou de changer les accessoires.** Ces mesures préventives réduisent le risque d'une mise en marche accidentelle.
- **Gardez les outils de coupe affilés et propres.** Des outils bien entretenus, avec tranchants affilés, sont moins susceptibles de gripper et plus faciles à contrôler. Lorsque vous montez des lames de scie, assurez-vous que la flèche de la lame correspond au sens de la flèche marquée sur l'outil et que les dents pointent également dans le même sens.
- **Inspectez les protecteurs avant d'utiliser un outil. Gardez les protecteurs en place. Vérifiez si les pièces mobiles grippent ou tout autre état pouvant influencer sur le fonctionnement normal ou les fonctions de sécurité de l'outil. Si l'outil est abîmé, faites-le réparer avant de l'utiliser.** Beaucoup d'accidents sont causés par des outils mal entretenus.
- **Ne modifiez pas l'outil et n'en faites pas un usage inapproprié.** Toute altération ou modification constitue un usage inapproprié et peut causer des blessures graves.
- **L'utilisation de tout autre accessoire non précisé dans ce manuel peut créer un danger.** Les accessoires qui peuvent être adéquats pour un type d'outil peuvent devenir dangereux lorsqu'ils sont utilisés sur un outil inapproprié.

## Réparation

- **L'outil ne doit être réparé que par des techniciens de réparation qualifiés.** Les réparations ou l'entretien effectués par des personnes non qualifiées peuvent résulter en un positionnement erroné de composants et de fils internes, ce qui peut provoquer des dangers sérieux.
- **N'utilisez que des pièces de rechange identiques pour réparer un outil. Suivez les consignes contenues dans la section Entretien de ce manuel.** L'utilisation de pièces non autorisées ou le non-respect des consignes d'entretien peut être dangereux.

## Consignes de sécurité pour les scies à céramique

- **Pour réduire le risque d'électrocution, maintenez toutes les connexions sèches et sans contact avec le sol. Ne touchez pas la fiche si vous avez les mains mouillées.**
- **Pour réduire le risque de choc électrique, ne branchez la scie à céramique que dans une prise de courant protégée par un disjoncteur de fuite à la terre (GFCI). Si aucune prise de courant protégée par disjoncteur GFCI n'est disponible, utilisez une prise portative avec protection par fuite à la terre incorporée.**
- **Débranchez la scie de sa source d'alimentation avant de faire des ajustements, de l'entretenir, de la nettoyer ou de changer la lame.**
- **Remplacez les lames de coupe de carreaux de céramique endommagées avant de mettre la scie en marche.**
- **N'utilisez l'outil qu'avec des lames de coupe de carreaux de céramique aux bords lisses qui ne comportent pas d'ouvertures ou de rainures.**
- **Après avoir mis la scie à l'arrêt (OFF), attendez que la lame se soit arrêtée complètement avant de retirer des morceaux coupés ou de changer des réglages.**
- **Utilisez le dispositif de protection du haut pour chaque opération pour laquelle il est possible de l'utiliser.**
- **Ne vous penchez pas pour atteindre l'arrière de la lame de scie avec l'une de vos mains dans le but de maintenir en place ou de soutenir l'ouvrage ou de retirer des morceaux de carreaux de céramique coupés ou pour toute autre raison.** La proximité de la lame de coupe de carreaux de céramique en train de tourner n'est pas toujours évidente, et si vous avez les mains tout près, vous risqueriez de subir de graves blessures.
- **Débranchez toujours le cordon de la prise de courant avant d'effectuer quelque réglage que ce soit ou de poser des accessoires.** Vous pouvez mettre la scie en marche par mégarde, et être blessé grièvement.
- **N'utilisez pas la scie avant d'avoir débarrassé la table de tous les outils, débris, résidus, etc., en ne laissant sur la table que l'ouvrage et les dispositifs servant à le soutenir ou à le faire avancer dans le cadre de l'opération prévue.** Les petits débris ou objets résiduels qui entrent en contact avec la lame en train de tourner risqueraient d'être projetés à grande vitesse en direction de l'opérateur.
- **Videz l'eau se trouvant dans la base de la scie à céramique avant de la transporter.** L'eau qui reste dans la base risquerait d'éclabousser des composants électriques.

« CONSERVEZ CES INSTRUCTIONS »

## Sécurité

**⚠ AVERTISSEMENT** « LISEZ TOUTES LES INSTRUCTIONS » — L'utilisateur qui négligerait de suivre les CONSIGNES DE SÉCURITÉ précédées d'un point noir (•) ci-dessous et de prendre d'autres précautions élémentaires risquerait de subir de graves blessures.

- **Coupez un seul ouvrage à la fois.** Les ouvrages multiples ne peuvent être cramponnés ou serrés adéquatement, et ils peuvent gripper sur la lame ou se déplacer durant la coupe.
- **Assurez-vous que la scie à céramique est montée ou placée sur une surface de travail ferme et à niveau avant de l'utiliser.** Une surface de travail ferme et à niveau réduit le risque d'instabilité de la scie à céramique.
- **Cet outil n'est pas muni de points de fixation pour un guide auxiliaire.** Assurez-vous que la pièce est supportée par le guide avant de la scier.
- **N'utilisez pas une autre personne en remplacement d'une rallonge de table ou comme support supplémentaire.** Un support instable de l'ouvrage peut faire gripper la lame ou déplacer l'ouvrage durant la coupe, tirant ainsi votre assistant et vous-même dans le disque de coupe en train de tourner.
- **La pièce découpée ne doit pas être coincée ou pressée par de quelconques autres moyens contre la lame de scie à céramique qui est en train de tourner.** Si elle était emprisonnée, p. ex. par des butées longitudinales, elle risquerait d'être arc-boutée contre la lame et d'être projetée violemment contre l'opérateur.
- **Laissez la lame atteindre une vitesse maximum avant de la mettre en contact avec l'ouvrage.** Ceci aidera à éviter la projection d'ouvrages.
- **Si l'ouvrage ou la lame se bloque ou se coince, mettez la scie à céramique à l'arrêt en relâchant l'interrupteur. Attendez que toutes les pièces mobiles s'arrêtent et débranchez la scie à céramique avant de libérer les matériaux coincés.** Le fait de continuer à scier avec l'ouvrage coincé pourrait entraîner une perte de contrôle ou des dommages à la scie à céramique.

**⚠ AVERTISSEMENT** Les travaux à la machine tel que ponçage, sciage, meulage, perçage et autres travaux du bâtiment peuvent créer des poussières contenant des produits chimiques qui sont des causes reconnues de cancer, de malformation congénitale ou d'autres problèmes reproductifs. Ces produits chimiques sont, par exemple :

- Le plomb provenant des peintures à base de plomb,
- Les cristaux de silices provenant des briques et du ciment et d'autres produits de maçonnerie, et
- L'arsenic et le chrome provenant des bois traités chimiquement

Le niveau de risque dû à cette exposition varie avec la fréquence de ces types de travaux. Pour réduire l'exposition à ces produits chimiques, il faut travailler dans un lieu bien ventilé et porter un équipement de sécurité approprié tel que certains masques à poussière conçus spécialement pour filtrer les particules microscopiques.

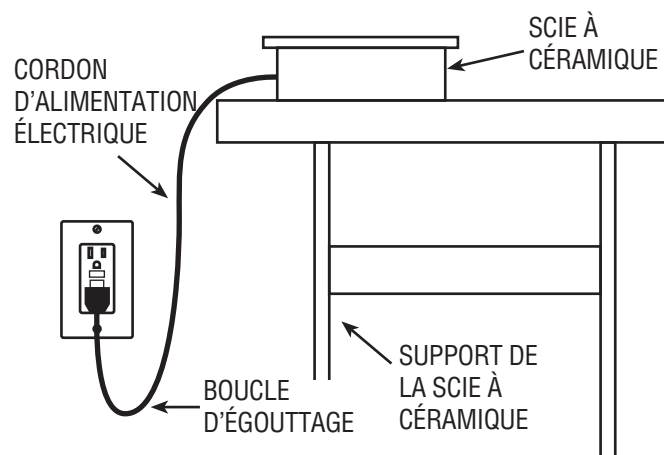
- **Il existe des consignes de sécurité supplémentaires pour les opérations particulières de la scie dans la section relative au fonctionnement. Lisez le reste du manuel pour une utilisation sûre de la scie.**

### EMPLACEMENT

Utilisez la scie à céramique dans un endroit bien éclairé, posée sur une surface plane, propre et suffisamment unie pour réduire le risque de trébucher et de tomber. Placez-la de telle manière que ni vous ni un tiers qui vous observe ne soit forcé de se tenir en face de la lame.

Pour ne pas risquer de mouiller la fiche électrique de la machine ou la prise de courant, positionnez la scie à céramique d'un côté d'une prise de courant murale afin d'éviter que de l'eau ne tombe goutte à goutte sur la prise de courant ou sur la fiche électrique. L'utilisateur devrait créer une « boucle d'égouttage » dans le cordon connectant la scie à une prise de courant. La « boucle d'égouttage » est la partie du cordon qui est située en dessous du niveau de la prise de courant, ou du connecteur si un cordon de rallonge électrique est utilisé, afin d'éviter que de l'eau ne coule le long du cordon et n'entre en contact avec la prise de courant.

**⚠ DANGER** Pour réduire le risque d'électrocution, ne débranchez PAS le cordon si la fiche électrique ou la prise de courant est mouillée. Déconnectez le fusible ou le disjoncteur qui alimente l'outil en électricité. Puis débranchez et examinez la prise de courant afin de vous assurer qu'elle ne contient pas d'eau.



« CONSERVEZ CES INSTRUCTIONS »

# Sécurité



## AVERTISSEMENT

« LISEZ TOUTES LES INSTRUCTIONS » — L'utilisateur qui négligerait de suivre les CONSIGNES DE SÉCURITÉ précédées d'un point noir (•) ci-dessous et de prendre d'autres précautions élémentaires risquerait de subir de graves blessures.

- Si un élément quelconque de votre scie est absent, fonctionne mal ou a été endommagé ou cassé ... comme l'interrupteur du moteur ou une autre commande affectant le fonctionnement, un mécanisme de sécurité ou le cordon d'alimentation ... cessez immédiatement de vous servir de la scie jusqu'à ce que l'élément en question ait été réparé de façon appropriée ou remplacé.
- Ne placez JAMAIS le visage ou le corps en face de l'outil de coupe.
- Ne placez JAMAIS les mains ou les doigts sur la trajectoire de la lame de scie ou autre outil de coupe.
- Il ne faut PAS effectuer d'opération à « MAIN LEVÉE » – Il faut toujours se servir du guide pour positionner et guider la pièce que ce soit pour refendre ou pour scier transversalement.
- Servez-vous d'un support adéquat à l'arrière et sur les côtés de la table de scie pour les pièces longues ou larges.
- Si vous calez ou si la lame de coupe de carreaux de céramique se coince dans l'ouvrage, mettez la scie à l'arrêt (« OFF »), retirez l'ouvrage de la lame de scie à céramique et regardez pour vous assurer que la lame est bien parallèle aux fentes ou aux rainures de la table et que le couteau diviseur est aligné correctement avec la lame de la scie. Si vous êtes alors en train de faire une coupe longitudinale, regardez pour vous assurer que le guide de refente est bien parallèle à la lame de la scie. Réajustez suivant les besoins.
- N'enlevez PAS les petites chutes qui se coincent parfois à l'intérieur du capot de lame pendant que la scie tourne. Vous risquez de vous couper ou de provoquer un rebond. ARRÊTEZ la scie et attendez que la lame cesse de tourner.

## FAMILIARISEZ-VOUS AVEC VOS OUTILS COUPANTS

Si les outils coupants sont émoussés, collants, affûtés incorrectement ou mal réglés, ils peuvent éventuellement coller au matériau, provoquer un coincement, caler la scie ou produire un rebond vers l'opérateur. Minimisez le risque de blessure éventuelle en entretenant correctement la machine et les outils. NE TENTEZ JAMAIS DE LIBÉRER LA LAME APRÈS CALAGE SANS AVOIR AU PRÉALABLE ARRÊTÉ LA SCIE.

- N'utilisez JAMAIS de lame dentée sur la scie à céramique.
- Assurez-vous que l'outil de coupe tourne dans le sens de la flèche située sur le capot supérieur. Assurez-vous également que l'outil de coupe, les bagues et l'écrou d'arbre sont montés correctement. Positionnez l'outil aussi bas que le permet l'opération à effectuer. Autant que possible, laissez tous les capots en place.
- Il ne faut jamais utiliser une lame ou autre outil de coupe marqué pour une vitesse nominale inférieure à 3600 tours/min. Il ne faut jamais utiliser un outil de coupe de diamètre supérieur à celui pour lequel la scie a été conçue.

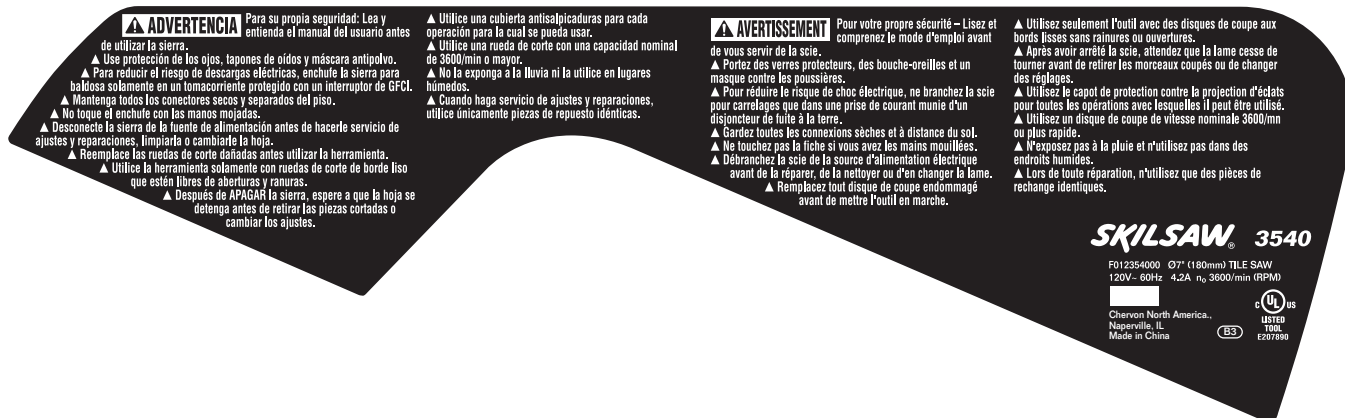
« CONSERVEZ CES INSTRUCTIONS »

# Sécurité

**⚠ AVERTISSEMENT** « LISEZ TOUTES LES INSTRUCTIONS » — L'utilisateur qui négligerait de suivre les CONSIGNES DE SÉCURITÉ précédées d'un point noir (•) ci-dessous et de prendre d'autres précautions élémentaires risquerait de subir de graves blessures.

- **Ne laissez pas la familiarité tirée d'une utilisation fréquente de votre scie à céramique atténuer votre vigilance.** N'oubliez jamais qu'une fraction de seconde d'insouciance suffit à causer des blessures graves.
- PENSEZ EN TERMES DE SÉCURITÉ. LA SÉCURITÉ EST UNE COMBINAISON DE BON SENS, DE CONNAISSANCE DES CONSIGNES DE SÉCURITÉ ET DE FONCTIONNEMENT, ET DE VIGILANCE CONSTANTE DE LA PART DE L'OPÉRATEUR LORS DE L'UTILISATION DE LA SCIE A CERAMIQUE.

**⚠ AVERTISSEMENT** LES AVERTISSEMENTS CI-APRÈS SE TROUVENT SUR VOTRE OUTIL. CES AVERTISSEMENTS NE SONT QU'UNE FORME CONDENSÉE DES RÈGLES ET PRÉCAUTIONS DE SÉCURITÉ PLUS DÉTAILLÉES QUI APPARAISSENT DANS VOTRE MANUEL. ELLES SERVENT À VOUS RAPPELER TOUTES LES RÈGLES DE SÉCURITÉ NÉCESSAIRES À UNE UTILISATION SÛRE DE CETTE SCIE A CERAMIQUE.



« CONSERVEZ CES INSTRUCTIONS »



## Sécurité

**AVERTISSEMENT** « LISEZ TOUTES LES INSTRUCTIONS » — L'utilisateur qui négligerait de suivre les CONSIGNES DE SÉCURITÉ précédées d'un point noir (•) ci-dessous et de prendre d'autres précautions élémentaires risquerait de subir de graves blessures.

### Spécifications du moteur

En cas de mauvais fonctionnement ou de panne, la mise à la terre fournit un chemin de moindre résistance pour le courant électrique afin de réduire le risque de choc électrique. Cet outil est muni d'un cordon d'alimentation électrique ayant un conducteur de mise à la terre d'équipement et d'une fiche de mise à la terre. La fiche doit être branchée dans une prise de courant appropriée qui est installée correctement et mise à la terre conformément à tous les codes et règlements locaux. Cette scie est câblée pour un fonctionnement sur courant alternatif de 110-120 volts, 60 Hertz. Avant de connecter le cordon du moteur à une source d'alimentation en électricité, assurez-vous que l'interrupteur est dans la position d'arrêt (« OFF ») et vérifiez que le courant électrique a les mêmes caractéristiques que celles qui sont estampées sur la plaque signalétique de la scie à ongles.

### Connexion à une source d'alimentation électrique

Cette machine doit être mise à la terre quand elle est en marche afin de protéger l'opérateur contre le risque de choc électrique.

Branchez le cordon d'alimentation électrique dans une prise de courant de 110-120 V correctement mise à la terre et protégée par un disjoncteur ou un fusible double de 15 A à retardement.

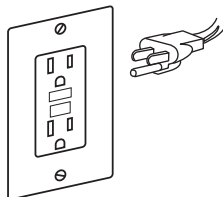
Toutes les prises de courant ne sont pas mises à la terre correctement. Si vous n'êtes pas certain que votre prise de courant, correspondant à l'illustration de cette page, est mise à la terre correctement, faites-la inspecter par un électricien professionnel.

**DANGER** Pour éviter un choc électrique, ne touchez pas les broches en métal de la fiche lorsque vous branchez la fiche dans la prise de courant ou lorsque vous la débranchez.

**DANGER** L'absence de mise à la terre correcte de cet outil électrique pourrait causer une électrocution ou un choc grave, en particulier quand il est utilisé à proximité de canalisations en métal ou d'autres objets métalliques. En cas de choc électrique, votre réaction pourrait mettre accidentellement vos mains en contact avec l'outil.

**DANGER** Si le cordon d'alimentation électrique est usé, coupé ou endommagé de quelque façon que ce soit, faites-le remplacer immédiatement pour éviter tout risque de choc ou d'incendie.

Votre outil est conçu pour utilisation sur du courant 120 volts, et il est pourvu d'un cordon à trois conducteurs et d'une fiche de type permettant la mise à la terre approuvés par Underwriters Laboratories et l'Association canadienne de normalisation. Le conducteur de mise à la terre a une gaine verte et est attaché au logement de l'outil à un bout et à la broche de mise à la terre de la fiche de branchement à l'autre bout.



Si la prise de courant que vous avez l'intention d'utiliser pour cet outil électrique est du type à deux broches, NE RETIREZ PAS LA BROCHE DE LA MISE À LA TERRE ET NE L'ALTÉREZ EN AUCUNE MANIÈRE. Demandez à un électricien professionnel de remplacer la prise de courant à DEUX broches par une prise de courant mise à la terre à TROIS broches.

Une connexion incorrecte du conducteur de mise à la terre de l'équipement peut causer un risque de choc électrique. Le conducteur avec l'isolation ayant une surface extérieure qui est verte, avec ou sans bandes jaunes, est le conducteur de l'équipement. S'il est nécessaire de réparer ou de remplacer la fiche ou le cordon d'alimentation électrique, ne connectez pas le conducteur de mise à la terre de l'équipement à une borne sous tension.

Consultez un électricien professionnel ou un technicien qualifié si vous ne comprenez pas complètement les instructions, ou si vous n'êtes pas certain que l'outil est mis à la terre correctement.

### Rallonges

Utilisez toujours un cordon de rallonge approprié. L'emploi de quelque cordon de rallonge que ce soit causera une certaine perte de puissance. Pour réduire cette perte au minimum possible et pour empêcher la surchauffe et le claquage du moteur, utilisez le tableau ci-dessous afin de déterminer le diamètre minimum des fils (A.W.G.) du cordon de rallonge. Utilisez seulement des cordons de rallonge à trois fils ayant des fiches du type de mise à la terre à trois broches et des prises de courant à trois trous compatibles avec la fiche de l'outil. Assurez-vous que votre cordon de rallonge est en bon état.

Utilisez seulement des cordons de rallonge qui sont conçus pour emploi à l'extérieur. Ces cordons de rallonge sont identifiés par la mention suivante : « Acceptable for use with outdoor appliances, store indoors while not in use. » Utilisez seulement des cordons de rallonge dont les caractéristiques électriques sont égales ou supérieures à celles du produit. N'utilisez pas de cordons de rallonge endommagés. Examinez le cordon de rallonge avant de vous en servir, et remplacez-le s'il est endommagé. N'utilisez pas les cordons de rallonge de façon abusive, et ne tirez jamais sur un cordon d'alimentation électrique pour le débrancher. Gardez le cordon à distance des sources de chaleur et des bords tranchants. Débranchez toujours le cordon de rallonge de la prise de courant avant de déconnecter le produit du cordon de rallonge.

- Remplacez immédiatement toute rallonge endommagée. L'utilisation de rallonges endommagées risque de provoquer un choc électrique, des brûlures ou l'électrocution.
- En cas de besoin d'une rallonge, utilisez un cordon de calibre satisfaisant pour éviter toute chute de tension, perte de courant ou surchauffe. Le tableau ci-contre indique le calibre des rallonges recommandées en fonction de leur longueur et de l'intensité indiquée sur la plaque du constructeur de l'outil. En cas de doute, optez pour le prochain calibre inférieur. Utilisez toujours des rallonges homologuées par l'U.L. et l'ACNOR.

#### DIMENSIONS DE RALLONGES RECOMMANDÉES

Intensité nominale de l'outil	OUTILS 120 VOLTS C.A. Longueur en pieds Calibre A.W.G.			
	25	50	100	150
0-6	18	16	16	14
6-10	18	16	14	12
10-12	16	16	14	12
12-16	14	12	—	—

REMARQUE: Plus le calibre est petit, plus le fil est gros.

« CONSERVEZ CES INSTRUCTIONS »

## Table des matières

Consignes générales de sécurité.....	16	Utilisation .....	26-27
Règles de sécurité supplémentaires .....	17-18	Remplissage du bassin à eau .....	26
Spécifications du moteur et spécifications électriques.....	21	Démarrage et arrêt .....	27
Table des matières .....	22	Réalisation d'une coupe plate.....	27
Glossaire terminologique .....	22	Réalisation d'une coupe d'onglet .....	28
Déballage et inspection du contenu.....	23	Réalisation d'une coupe en biseau .....	28
Familiarisez-vous avec votre scie à céramique .....	24	Après l'emploi .....	28
Assemblage et réglages.....	25-26	Entretien de votre scie à céramique .....	29
Installation de la lame de scie à céramique .....	25	Dépannage .....	29
Installation du dispositif de protection du haut .....	26		
Réglage du bras du dispositif de protection du haut .....	26		

## Glossaire terminologique

### **ARBRE**

L'arbre sur lequel l'outil de coupe est monté.

### **COUPE TRANSVERSALE**

Une opération de sciage ou de toupillage qui s'effectue en travers de la pièce pour la mettre à longueur.

### **EXTREMITE AVANT**

Lors du sciage en long, l'extrémité de la pièce qui entre en contact avec la lame en premier.

### **MAIN LEVEE**

Effectuer un sciage sans guide, calibre à onglets, montage, dispositif d'immobilisation ou autre dispositif approprié pour empêcher la pièce de pivoter pendant le sciage.

### **PIECE**

L'article sur lequel on effectue l'opération de sciage. Les surfaces d'une pièce sont généralement appelées faces, extrémités et chants.

### **SCIAGE EN LONG**

Une opération de sciage parallèle à la longueur de la pièce pour la mettre à largeur.

### **TOURS PAR MINUTE (R.P.M.)**

Le nombre de révolutions effectuées par un objet en rotation pendant une minute.

## Déballage et vérification du contenu

**⚠ AVERTISSEMENT** Pour réduire le risque de blessure, il ne faut jamais brancher la fiche sur une prise d'alimentation électrique avant d'avoir terminé toutes les étapes d'assemblage, d'avoir lu la notice d'utilisation au complet et de l'avoir entièrement comprise.

La scie à céramique modèle 3540 est vendue complète dans un seul carton.

Déballage et vérification du contenu. Séparez les matériaux d'emballage de toutes les pièces et vérifiez ces dernières en vous reportant au « Tableau des pièces en vrac » pour vous assurer que tous les articles sont présents avant de jeter les matériaux d'emballage.

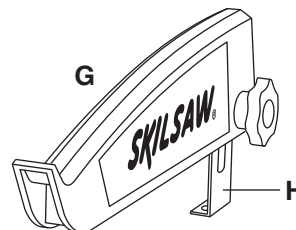
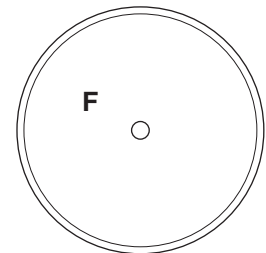
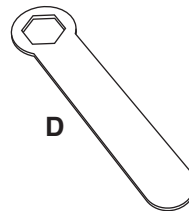
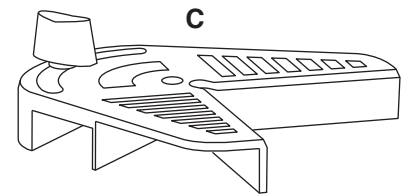
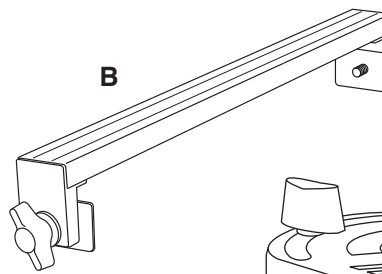
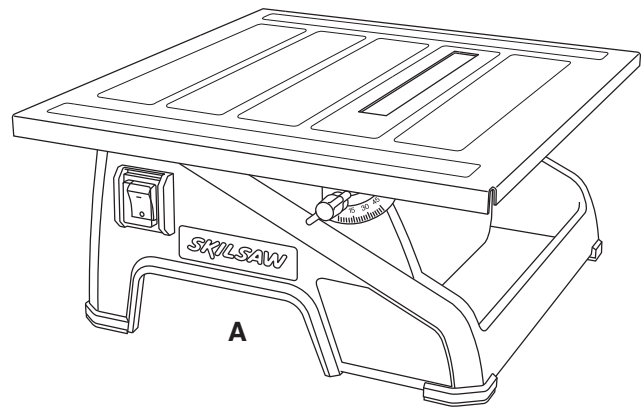
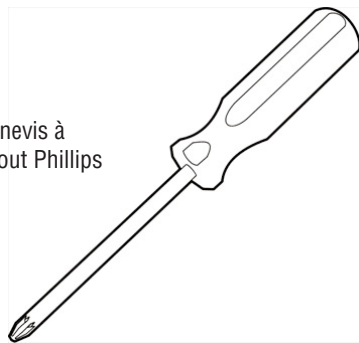
**⚠ AVERTISSEMENT** Au cas où une pièce venait à manquer, ne tentez pas d'assembler la scie, de brancher le cordon d'alimentation ou de mettre la scie en marche avant d'avoir obtenu et installé les pièces manquantes.

### Tableau des pièces en vrac

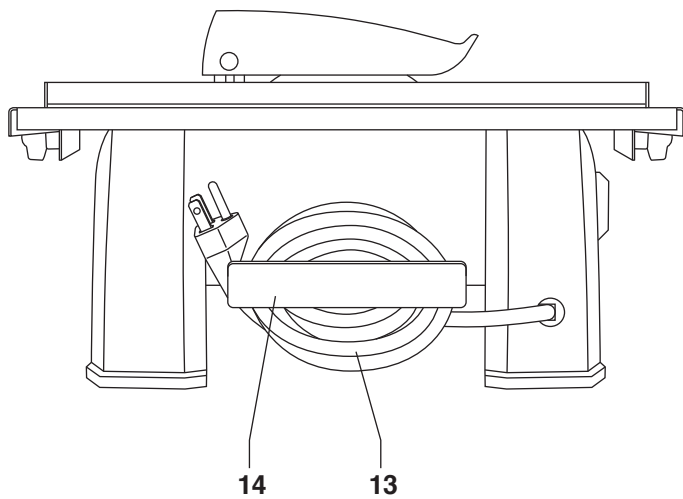
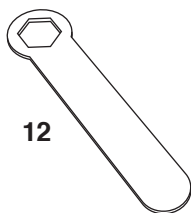
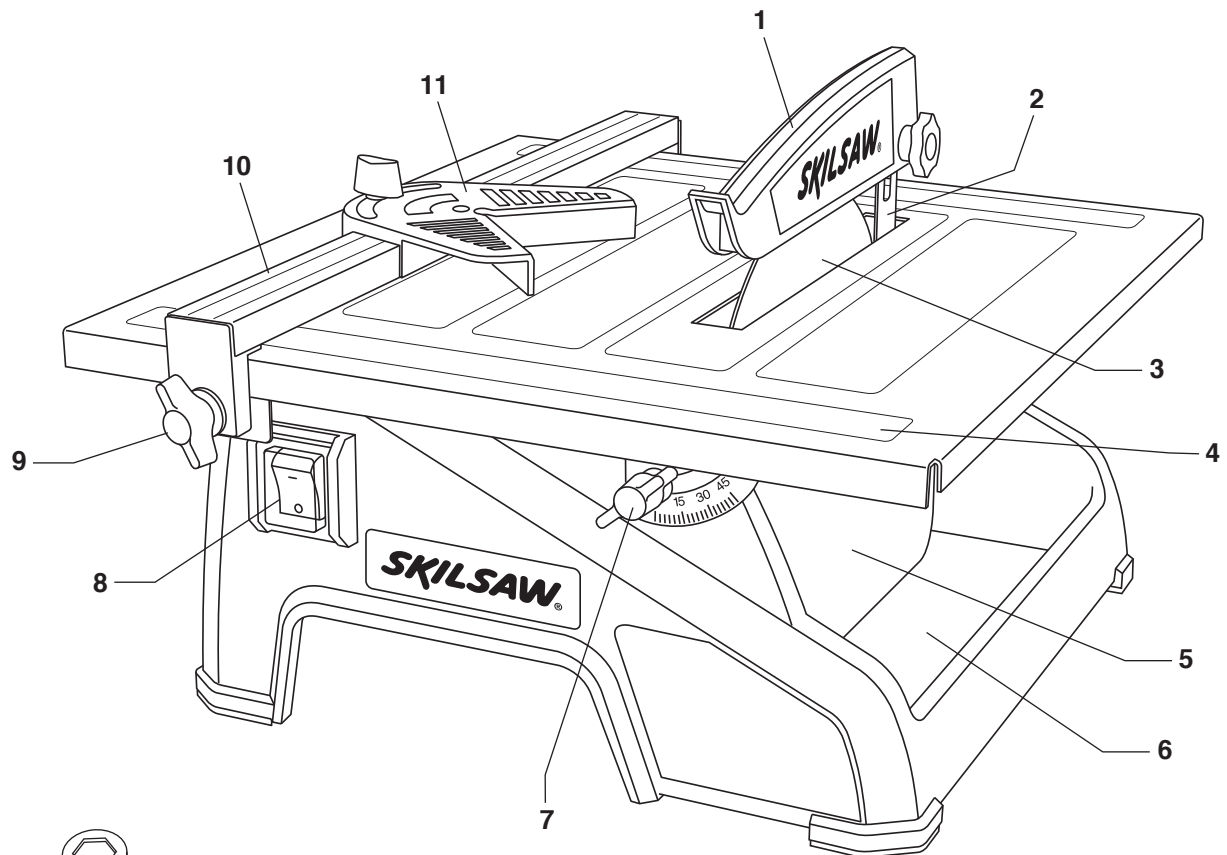
ARTICLE	DESCRIPTION	QTE
A	Scie à céramique	1
B	Guide de refente	1
C	Guide d'onglet	1
D	Clé	1
F	Lame de scie à céramique	1
G	Dispositif de protection du haut	1
H	Bras du dispositif de protection du haut	1

### Outils supplémentaires nécessaires à l'assemblage

Tournevis à embout Phillips



## Familiarisez-vous avec votre scie à céramique



1. Dispositif de protection du haut
2. Bras du dispositif de protection du haut
3. Lame de scie à céramique
4. Règle graduée de référence pour coupes longitudinales
5. Dispositif de protection du bas
6. Bassin à eau
7. Bouton de réglage pour coupe en biseau
8. Interrupteur Marche/Arrêt
9. Bouton de verrouillage du guide
10. Guide de refente
11. Guide d'onglet
12. Clé
13. Cordon d'alimentation électrique
14. Dispositif de rangement du cordon

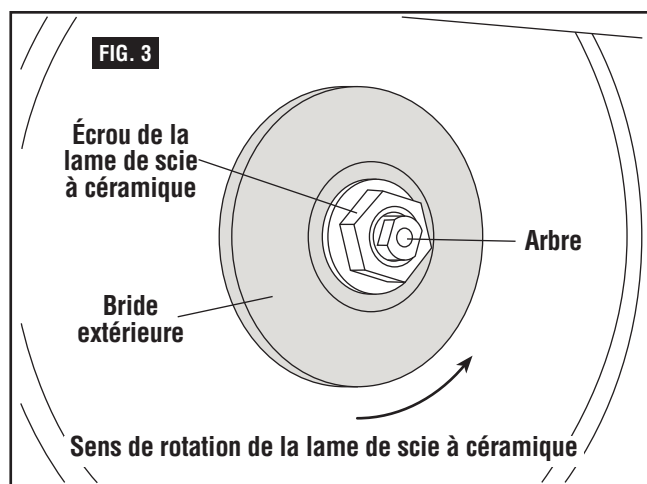
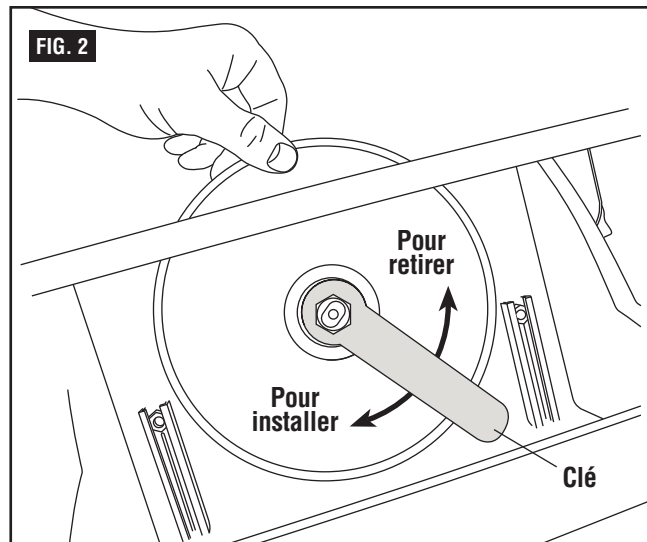
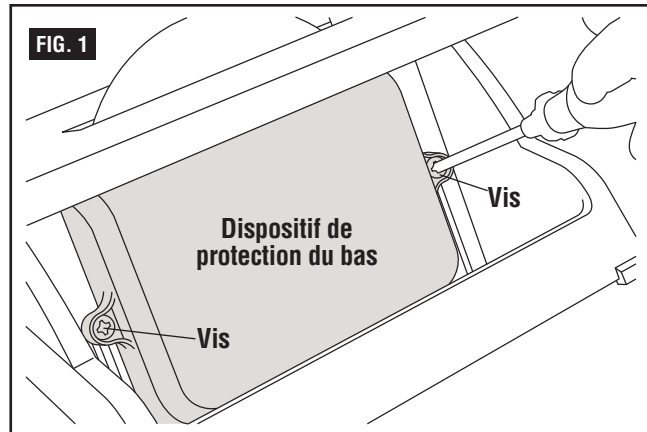
## Assemblage et réglages

**AVERTISSEMENT** Débranchez la fiche de la source d'alimentation avant de faire des réglages ou de changer des accessoires. De telles mesures de sécurité préventive réduisent le risque de démarrage accidentel de l'outil.

### Installation de la lame de scie à céramique

**AVERTISSEMENT** Pour réduire le risque de blessure, n'utilisez pas de lame de scie à céramique plus grande ou plus petite que 7 po de diamètre, et n'utilisez pas de lames de scie à céramique d'une vitesse de rotation nominale de moins de 3 600 tr/mn. N'utilisez que des lames de coupe de carreaux de céramique aux bords lisses qui ne comportent pas d'ouvertures ou de rainures.

1. Retirez le dispositif de protection du bas en utilisant un tournevis numéro 2 (non fourni) pour desserrer les deux vis de fixation (Fig. 1).
2. Tenez fermement la lame de la scie à céramique dans la main, puis desserrez l'écrou au moyen d'une clé à écrous dans le sens contraire des aiguilles d'une montre (Fig. 2).
3. Retirez la bride extérieure et la lame de scie à céramique.
4. Assurez-vous que l'arbre et les brides sont propres.
5. Assurez-vous que la flèche directionnelle marquée sur la nouvelle lame de scie à céramique indique le sens contraire des aiguilles d'une montre par rapport à l'arbre (Fig. 3). Assurez-vous que la bride extérieure est alignée avec l'arbre.
6. Installez la nouvelle lame de scie à céramique en inversant les étapes requises pour retirer la lame de scie à céramique. **NE SERREZ PAS EXCESSIVEMENT.**
7. Assurez-vous que la lame de scie à céramique est fixée solidement en place avant de vous en servir.



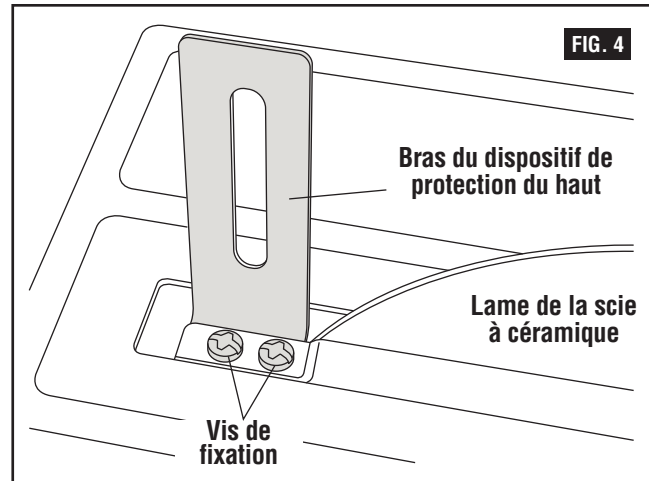
## Assemblage et réglages

### Installation du dispositif de protection du haut

Placez le bord inférieur du bras du dispositif de protection du haut au-dessous du dessus de la table à l'arrière de la lame. Insérez et serrez les deux vis de fixation (Fig. 4).

### Réglage du bras du dispositif de protection du haut

1. Retirez le dispositif de protection du haut en desserrant le bouton qui le tient en place.
2. Desserrez les deux vis de fixation (Fig. 4) et assurez-vous que le bras est aligné correctement avec la lame de la scie à céramique.
3. Serrez les deux vis de fixation.



## Utilisation

### Lieu d'utilisation de la scie à céramique

Utilisez la scie à céramique dans un endroit bien éclairé et sur une surface de niveau, propre et suffisamment lisse pour réduire le risque d'accrochage ou de chute. Utilisez-la dans des conditions telles que ni l'opérateur, ni l'observateur occasionnel ne soient forcés de se tenir dans l'alignement de la lame.

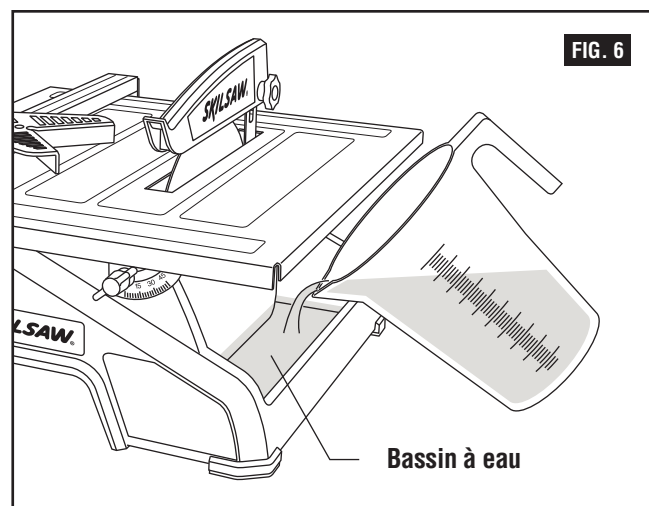
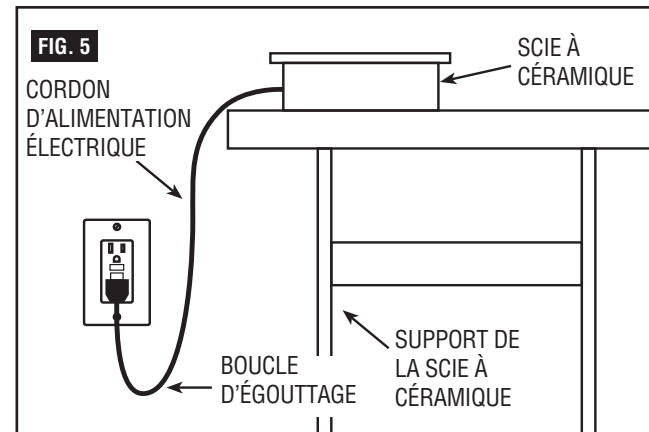
Pour éviter que la fiche de l'outil ou la prise de courant ne risquent d'être mouillés, positionnez la scie à céramique d'un côté d'une prise de courant murale afin d'éviter que de l'eau ne tombe goutte à goutte sur la prise de courant ou sur la fiche électrique. L'utilisateur devrait créer une « boucle d'égouttage » dans le cordon connectant la scie à une prise de courant. La « boucle d'égouttage » est la partie du cordon qui est située en dessous du niveau de la prise de courant, ou du connecteur si un cordon de rallonge électrique est utilisé, afin d'éviter que de l'eau ne coule le long du cordon et n'entre en contact avec la prise de courant.

**⚠ DANGER** Pour réduire le risque d'électrocution, ne débranchez PAS le cordon si la fiche électrique ou la prise de courant est mouillée. Déconnectez le fusible ou le disjoncteur qui alimente l'outil en électricité. Puis débranchez et examinez la prise de courant afin de vous assurer qu'elle ne contient pas d'eau.

### Remplissage du bassin à eau

Remplissez le bassin à eau avec autant d'eau que possible, mais pas de telle sorte qu'il risque de déborder. N'ajoutez pas de produits chimiques ou de détergents à l'eau (Fig. 6).

**⚠ MISE EN GARDE** La lame de la scie à céramique risquerait d'être endommagée s'il n'y a pas assez d'eau. Ne mettez jamais la machine en marche s'il n'y a pas assez d'eau dans le bassin. Ajoutez de l'eau si vous remarquez de la sciure dans l'air.





# Utilisation

## Démarrage et arrêt

**⚠ DANGER** Pour réduire le risque d'électrocution, maintenez toutes les connexions sèches et sans contact avec le sol. Ne touchez pas la fiche si vous avez les mains mouillées.

**⚠ AVERTISSEMENT** Pour réduire le risque de choc électrique, ne branchez la scie à céramique que dans une prise de courant protégée par un disjoncteur de fuite à la terre (GFCI). Si aucune prise de courant protégée par disjoncteur GFCI n'est disponible, utilisez une prise portable avec protection par fuite à la terre incorporée.

**⚠ AVERTISSEMENT** Pour réduire le risque de choc électrique, testez toujours le disjoncteur GFCI afin de vous assurer qu'il fonctionne correctement avant de brancher la scie à céramique dans une prise de courant protégée par un disjoncteur de fuite à la terre.

Connectez la machine à une source d'alimentation électrique de la tension et de la fréquence correctes (120 V, 60 Hz).

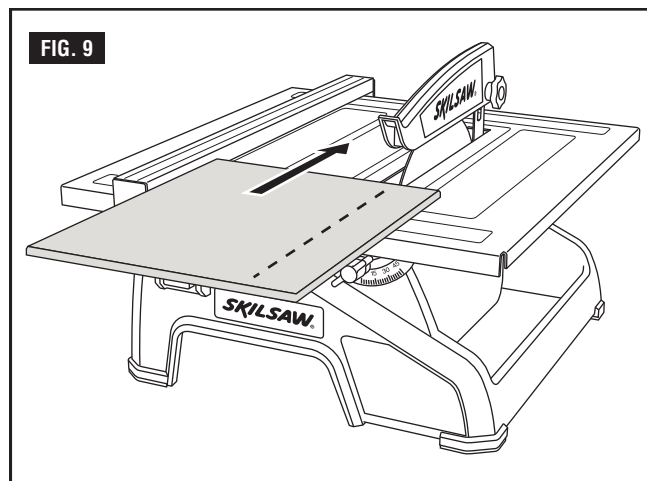
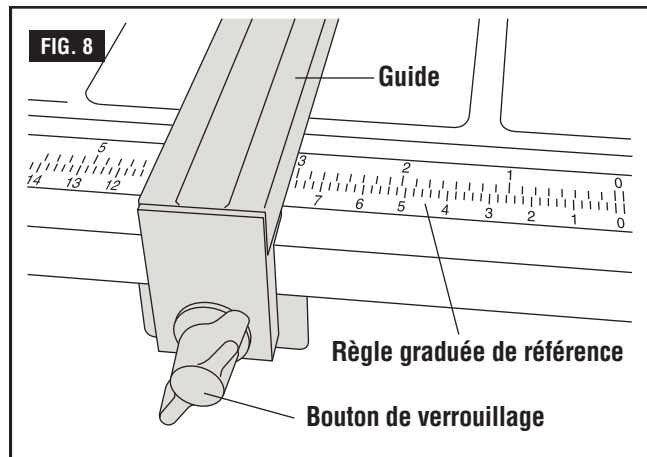
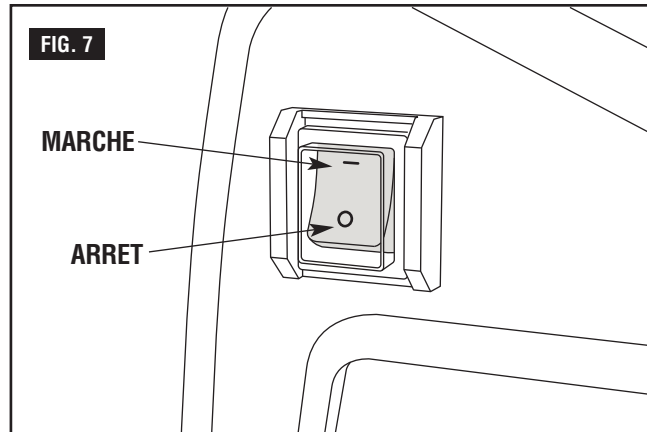
**Pour faire démarrer la scie :** mettez l'interrupteur dans la position « 1 » (marche) (Fig. 7).

**Pour arrêter la scie :** mettez l'interrupteur dans la position « 0 » (arrêt) (Fig. 7).

## Réalisation d'une coupe plate

1. Ajustez le dispositif de protection du haut/capot de protection contre les éclaboussures de façon qu'il soit légèrement plus haut que l'ouvrage, et serrez le bouton pour fixer en place.
2. Ajustez le guide de refente parallèle par rapport à la distance désirée depuis la lame de la scie à céramique en utilisant la règle graduée sur la surface de la table pour référence. Serrez les boutons de verrouillage du guide de chaque côté afin de verrouiller solidement le guide de refente parallèle sur la table (Fig. 8).
3. Placez l'ouvrage contre le guide de refente parallèle et faites avancer le carreau de céramique en direction de la lame de scie à céramique en faisant pression de façon uniforme et constante (si vous forcez le carreau, cela ralentira la lame, ce qui pourrait causer une surchauffe du moteur) (Fig. 9).
4. Arrêtez la scie à la fin de la coupe.

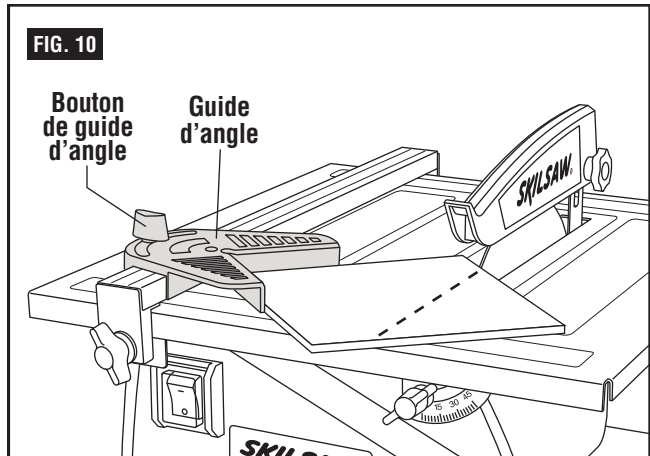
**⚠ AVERTISSEMENT** Ne mettez jamais la main ou les doigts dans la trajectoire de la lame de la scie à céramique.



## Utilisation

### Réalisation d'une coupe d'onglet

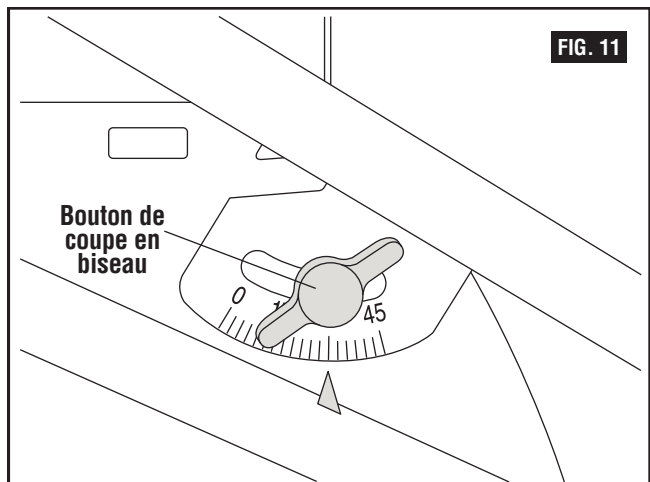
1. Ajustez le guide de refente parallèle à la distance désirée par rapport à la lame de scie à céramique en utilisant les règles graduées sur la surface de la table comme référence. Serrez les boutons de verrouillage du guide de refente de chaque côté pour verrouiller fermement le guide de refente parallèle sur la table (Fig. 8).
2. Utilisez le guide d'angle fourni conjointement avec le guide de refente parallèle.
3. Sélectionnez l'angle désiré et serrez la vis pour assujettir le guide d'angle (Fig. 10).
4. Placez le carreau contre le guide d'angle (Fig. 10).
5. Tenez le carreau fermement en place contre le guide d'angle et faites-le avancer lentement en direction de la lame de scie à céramique en rotation.



### Réalisation d'une coupe en biseau

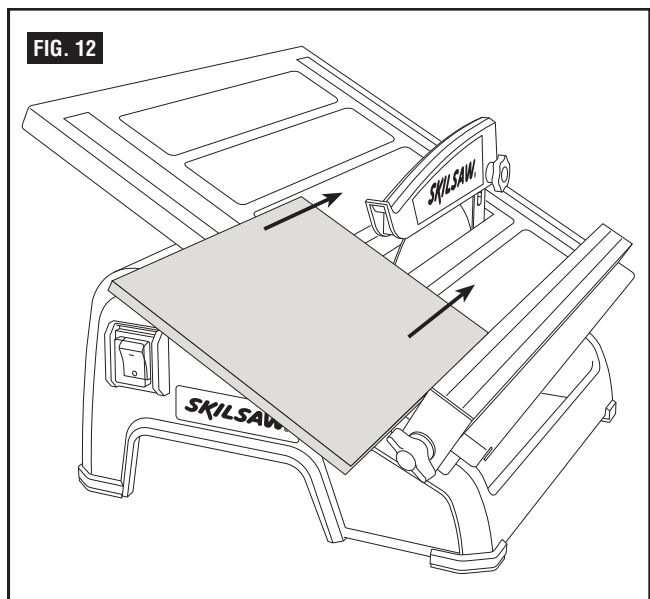
1. Desserrez les boutons de coupe en biseau des deux côtés de la table (Fig. 11).
2. Inclinez la table à l'angle désiré en utilisant la règle graduée comme référence.
3. Serrez les boutons de coupe en biseau.
4. Suivez les instructions pour effectuer une coupe plate (Fig. 12).

**⚠ AVERTISSEMENT** Pour ne pas risquer de vous blesser, le guide de refente ne doit être utilisé que du côté droit de la table pendant que vous effectuez une coupe en biseau.



### Après l'emploi

- Vérifiez que l'interrupteur MARCHE/ARRÊT est dans la position d'Arrêt.
- Débranchez la scie à céramique de la source d'alimentation.
- Nettoyez la scie à céramique après avoir fini de vous en servir.
- Videz et nettoyez le bassin à eau.
- Essuyez toutes les surfaces extérieures et la lame de scie à céramique.



# Entretien de votre scie à céramique

## Entretien

**⚠ AVERTISSEMENT** Pour votre propre sécurité, mettez la scie à l'arrêt en utilisant l'interrupteur « Arrêt », et débranchez-la de la prise de courant avant d'effectuer toute opération d'entretien ou de lubrification de votre scie.

Essuyez le cordon et l'outil avec un chiffon sec et propre pour empêcher toute détérioration causée par l'huile et la graisse.

**⚠ AVERTISSEMENT** Certains dissolvants et produits de nettoyage peuvent abîmer les pièces en plastique. Parmi ceux-ci on trouve : l'essence, le tétrachlorure de carbone, les solvants de nettoyage chlorés, l'ammoniaque et les détergents domestiques qui en contiennent. Évitez d'utiliser ces produits ou tout autre produit de nettoyage pour minimiser le risque de détérioration.

Appliquez une couche de cire de type automobile sur la table pour que la machine reste propre et pour permettre aux pièces de glisser plus facilement.

Si le cordon est usé ou coupé ou abîmé de quelle manière que ce soit, faites-le remplacer immédiatement.

**⚠ AVERTISSEMENT** Toutes les réparations électriques ou mécaniques ne doivent être tentées que par des agents de réparation qualifiés. Contactez le centre de service d'usine ou la station service agréée la plus proche ou tout autre service de réparation compétent. Utilisez exclusivement des pièces de rechange identiques. Toute autre pièce risque d'engendrer des risques.

## Accessoires

**⚠ AVERTISSEMENT** Utilisez exclusivement les accessoires recommandés. Suivez les instructions qui accompagnent ces accessoires. L'utilisation d'accessoires incorrects risque d'engendrer des risques.

## Dépannage

**⚠ AVERTISSEMENT** Il faut toujours mettre l'interrupteur à la position « arrêt » et débrancher la fiche de la source d'alimentation avant tout dépannage

PROBLÈME	CAUSE	SOLUTION
Ne démarre pas	Le cordon n'est pas branché.	Branchez la machine.
	Le fusible ou le disjoncteur est déclenché.	Remplacez le fusible ou réarmez le disjoncteur.
	Le cordon est abîmé.	Faites remplacer le cordon par un centre de service ou une station service Skil agréée.
	L'interrupteur est grillé.	Faites remplacer l'interrupteur par un centre de service ou une station service Skil agréée.
Ne monte pas en régime	La rallonge est de calibre trop faible ou elle est trop longue.	Remplacez-la par une rallonge adéquate.
	La tension du logement est trop faible.	Contactez votre fournisseur de courant électrique.
Vibration excessive	La lame est mal équilibrée.	Jetez la lame de scie à céramique et servez-vous d'une lame différente, voir page 25.
	Le boulon de la lame de scie à céramique n'est pas serré.	Voir « Démontage et montage de la lame », page 25.

# Seguridad



**ADVERTENCIA** “LEA TODAS LAS INSTRUCCIONES”. El incumplimiento de las NORMAS DE SEGURIDAD identificadas por el símbolo del PUNTO NEGRO (•) que se indican A CONTINUACION y otras precauciones de seguridad puede dar lugar a lesiones personales graves.

## Normas generales de seguridad para herramientas para tablero de banco

### Area de trabajo

- **Mantenga limpia y bien iluminada el área de trabajo.** Los bancos desordenados y las áreas oscuras invitan a que se produzcan accidentes.
- **No utilice herramientas mecánicas en atmósferas explosivas, tales como las existentes en presencia de líquidos, gases o polvos inflamables.** Las herramientas mecánicas generan chispas y éstas pueden dar lugar a la ignición del polvo o los vapores.
- **Mantenga alejadas a las personas que se encuentren presentes, a los niños y a los visitantes mientras esté utilizando una herramienta mecánica.** Las distracciones pueden hacerle perder el control.
- **Guarde las herramientas que no esté usando fuera del alcance de los niños y otras personas no capacitadas.** Las herramientas son peligrosas en las manos de los usuarios no capacitados.
- **No deje desatendida la herramienta en marcha. Apáguela.** No deje la herramienta hasta que se haya detenido por completo.
- **HAGA EL TALLER A PRUEBA DE NIÑOS** con candados, interruptores maestros o quitando las llaves de arranque.

### Seguridad eléctrica

- **Antes de enchufar la herramienta, asegúrese de que la tensión del tomacorriente es compatible con la tensión especificada en la placa del fabricante dentro de un margen del 10%.** Una tensión del tomacorriente incompatible con la que se especifica en la placa del fabricante puede dar como resultado peligros graves y daños a la herramienta.
- **Evite el contacto del cuerpo con las superficies conectadas a tierra, tales como tuberías, radiadores, estufas de cocina y refrigeradores.** Hay mayor riesgo de que se produzcan sacudidas eléctricas si su cuerpo está conectado a tierra.
- **No exponga las herramientas mecánicas a la lluvia ni a situaciones húmedas.** La entrada de agua en una herramienta mecánica aumentará el riesgo de que se produzcan sacudidas eléctricas.
- **No abuse del cordón. Nunca use el cordón para llevar las herramientas ni tire de él para desconectarlo del tomacorriente. Mantenga el cordón alejado del calor, el aceite, los bordes afilados o las piezas móviles. Cambie los cordones dañados inmediatamente.** Los cordones dañados aumentan el riesgo de que se produzcan sacudidas eléctricas.
- **Utilice únicamente un cordón de extensión para intemperie marcado con las letras “W-A” o “W”.** Estos cordones tienen capacidad para uso a la intemperie y reducen el riesgo de descargas eléctricas.

### Seguridad personal

- **Manténgase alerta, fíjese en lo que está haciendo y use el sentido común al utilizar una herramienta mecánica.** Un momento de descuido o el consumo de drogas, alcohol o medicamentos mientras se utilizan herramientas mecánicas puede ser peligroso.
- **Vístase adecuadamente. No se ponga ropa holgada ni joyas. Sujétese el pelo largo. Mantenga el pelo, la ropa y los guantes alejados de las piezas móviles. La ropa holgada, las joyas o el pelo largo pueden quedar atrapados en las piezas móviles.** Súbase las mangas largas por encima de los codos. Se recomiendan guantes de caucho y calzado antideslizante cuando se trabaja a la intemperie.
- **Evite el arranque accidental. Asegúrese de que el interruptor esté en la posición “OFF” (apagado) antes de enchufar la herramienta.** El llevar las herramientas con el dedo en el interruptor o el enchufar las herramientas que tienen el interruptor en la posición “ON” (encendido) invita a que se produzcan accidentes.
- **Quite las llaves de ajuste o las llaves de tuerca antes de encender la herramienta.** Una llave de tuerca o de ajuste que se deje puesta en una pieza giratoria de la herramienta saldrá despedida.
- **No intente alcanzar demasiado lejos. Mantenga un apoyo de los pies y un equilibrio adecuados en todo momento.** El apoyo de los pies y el equilibrio adecuados permiten un mejor control de la herramienta en situaciones inesperadas.
- **No se suba en la herramienta ni en su base.** Se pueden producir lesiones graves si la herramienta se vuelca o si se hace contacto con la herramienta de corte accidentalmente. No guarde materiales sobre ni cerca de la herramienta de tal modo que sea necesario subirse a la herramienta o a su base para alcanzarlos.
- **Utilice equipo de seguridad. Use siempre gafas de seguridad.** Se debe utilizar una máscara antipolvo, calzado de seguridad, casco o protección en los oídos según lo requieran las condiciones. Los lentes de uso diario sólo tienen lentes resistentes a los golpes. NO son gafas de seguridad.

**“CONSERVE ESTAS INSTRUCCIONES”**

# Seguridad



**ADVERTENCIA** “LEA TODAS LAS INSTRUCCIONES”. El incumplimiento de las NORMAS DE SEGURIDAD identificadas por el símbolo del PUNTO NEGRO (•) que se indican A CONTINUACION y otras precauciones de seguridad puede dar lugar a lesiones personales graves.

## Utilización y cuidado de las herramientas

- **Utilice abrazaderas u otro modo práctico de fijar y soportar la pieza de trabajo en una plataforma estable.** La sujeción de la pieza de trabajo con la mano o contra el cuerpo resulta inestable. Permite que la pieza de trabajo se desplace y cause atasco de la herramienta y pérdida de control.
- **No fuerce la herramienta. Use la herramienta correcta para la aplicación que desea.** La herramienta correcta hará el trabajo mejor y con más seguridad a la capacidad nominal para la que está diseñada.
- **No utilice la herramienta si el interruptor no la enciende o apaga.** Cualquier herramienta que no se pueda controlar con el interruptor es peligrosa.
- **Desconecte el enchufe de la fuente de energía antes de hacer cualquier ajuste o de cambiar accesorios.** Estas medidas de seguridad preventivas reducen el riesgo de arrancar la herramienta accidentalmente.
- **Mantenga las herramientas de corte afiladas y limpias.** Es menos probable que las herramientas mantenidas adecuadamente, con bordes de corte afilados, se atasquen, y son más fáciles de controlar. Al montar hojas de sierra, asegúrese de que la flecha de la hoja coincida con el sentido de la flecha marcada en la herramienta y de que los dientes también estén orientados en el mismo sentido.
- **Inspeccione los protectores antes de usar una herramienta. Mantenga los protectores en su sitio. Compruebe si las piezas móviles se atascan o si existe cualquier otra situación que pueda afectar el funcionamiento normal o los dispositivos de seguridad de la herramienta. Si la herramienta se daña, haga que realicen servicio de ajustes y reparaciones antes de usarla.** Muchos accidentes son causados por herramientas mal mantenidas.
- **No altere ni haga uso incorrecto de la herramienta.** Cualquier alteración o modificación constituye un uso incorrecto y puede dar lugar a lesiones personales graves.
- **La utilización de cualquier otro accesorio no especificado en este manual puede constituir un peligro.** Los accesorios que pueden ser adecuados para un tipo de herramienta pueden resultar peligrosos cuando se utilizan en una herramienta inadecuada.

## Servicio

- **El servicio de ajustes y reparaciones de una herramienta debe ser realizado únicamente por personal de reparaciones competente.** El servicio o mantenimiento realizado por personal no competente puede tener como resultado una colocación incorrecta de los cables y componentes internos que podría causar un peligro grave.
- **Al realizar servicio de ajustes y reparaciones de una herramienta, utilice únicamente piezas de repuesto idénticas. Siga las instrucciones que figuran en la sección Mantenimiento de este manual.** El uso de piezas no autorizadas o el incumplimiento de las instrucciones de Mantenimiento puede constituir un peligro.

## Normas de seguridad para sierras para cortar baldosa

- **Para reducir el riesgo de electrocución, mantenga todas las conexiones secas y separadas del piso. No toque el enchufe con las manos mojadas.**
- **Para reducir el riesgo de descargas eléctricas, enchufe la sierra para cortar baldosa solamente en un tomacorriente protegido por un interruptor de circuito accionado por corriente de pérdida a tierra (GFCI). Si no hay disponible un tomacorriente protegido con GFCI, use un tomacorriente portátil con protección GFCI incorporada.**
- **Desconecte la sierra de la fuente de alimentación antes de hacer ajustes, servicio de mantenimiento o limpieza, o cambiar la hoja.**
- **Reemplace las hojas para cortar baldosa dañadas antes de utilizar la sierra.**
- **Utilice la herramienta solamente con hojas para cortar baldosa de borde liso libres de aberturas y ranuras.**
- **Después de APAGAR la sierra, espere a que la hoja se detenga antes de retirar las piezas cortadas o cambiar los ajustes.**
- **Utilice el protector superior para cada operación para la cual se puede usar.**
- **No ponga ninguna de las dos manos detrás de la hoja de sierra para sujetar o soportar la pieza de trabajo, retirar residuos o por cualquier otro motivo.** La proximidad de la hoja para cortar baldosa que gira a la mano puede no ser obvia y usted podría resultar lastimado gravemente.
- **Desconecte siempre el cordón de energía de la fuente de energía antes de hacer cualquier ajuste o colocar cualquier accesorio.** Usted podría arrancar la sierra involuntariamente, teniendo como resultado lesiones personales graves.
- **No utilice la sierra hasta que se hayan retirado de la mesa todas las herramientas, desechos, etc., excepto la pieza de trabajo y los dispositivos de avance o soporte relacionados para la operación planeada.** Los residuos pequeños o las piezas pequeñas sueltas de baldosa u otros objetos que entren en contacto con la hoja que gira pueden ser arrojados a alta velocidad hacia el operador.
- **Vacíe de agua la base de la sierra para cortar baldosa antes de transportarla.** El agua dejada en la base puede salpicar los componentes eléctricos.

“CONSERVE ESTAS INSTRUCCIONES”

# Seguridad

**⚠ ADVERTENCIA** “LEA TODAS LAS INSTRUCCIONES”. El incumplimiento de las NORMAS DE SEGURIDAD identificadas por el símbolo del PUNTO NEGRO (•) que se indican A CONTINUACION y otras precauciones de seguridad puede dar lugar a lesiones personales graves.

- **Corte únicamente una pieza de trabajo por vez.** No se pueden fijar con abrazaderas ni sujetar de modo adecuado múltiples piezas de trabajo y éstas pueden atascarse en la hoja o desplazarse durante el corte.
- **Asegúrese de que la sierra para cortar baldosa esté montada o colocada sobre una superficie de trabajo nivelada y firme antes de utilizarla.** Una superficie de trabajo nivelada y firme reduce el riesgo de que la sierra para cortar baldosa se vuelva inestable.
- **Esta herramienta no está equipada con disposiciones para sujetar un tope-guía auxiliar.** Asegúrese de que la pieza de trabajo esté soportada por el tope-guía antes de cortar.
- **No utilice a otra persona como sustituto de una extensión de la mesa o como soporte adicional.** Un soporte inestable de la pieza de trabajo puede hacer que la hoja se atore o que la pieza de trabajo se desplace durante la operación de corte, tirando de usted y del ayudante hacia la hoja que gira.
- **La pieza cortada no debe ser apretada ni presionada por ningún otro medio contra la hoja para cortar baldosa que gira.** Si se confina, es decir, se utilizan topes de longitud, podría engancharse en cuña contra la hoja y ser lanzada hacia usted.
- **Deje que la hoja alcance toda su velocidad antes de hacer contacto con la pieza de trabajo.** Esto ayudará a evitar que las piezas de trabajo salgan despedidas.
- **Si la pieza de trabajo o la hoja se atasca o engancha, apague la sierra para cortar baldosa soltando el interruptor. Espere a que todas las piezas móviles se detengan y desenchufe la sierra para cortar baldosa.** Luego, suelte el material atascado. El aserrado continuo de una pieza de trabajo atascada podría causar pérdida de control o daños a la sierra para cortar baldosa.

**⚠ ADVERTENCIA** Cierta polvo generado por el lijado, aserrado, amolado y taladrado mecánicos, y por otras actividades de construcción, contiene agentes químicos que se sabe que causan cáncer, defectos de nacimiento u otros daños sobre la reproducción. Algunos ejemplos de estos agentes químicos son:

- Plomo de pinturas a base de plomo,
- Sílice cristalina de ladrillos y cemento y otros productos de mampostería, y
- Arsénico y cromo de madera tratada químicamente.

Su riesgo por causa de estas exposiciones varía, dependiendo de cuánta frecuencia realice este tipo de trabajo. Para reducir su exposición a estos agentes químicos: trabaje en un área bien ventilada y trabaje con equipo de seguridad aprobado, como por ejemplo máscaras antipolvo que estén diseñadas especialmente para impedir mediante filtración el paso de partículas microscópicas.

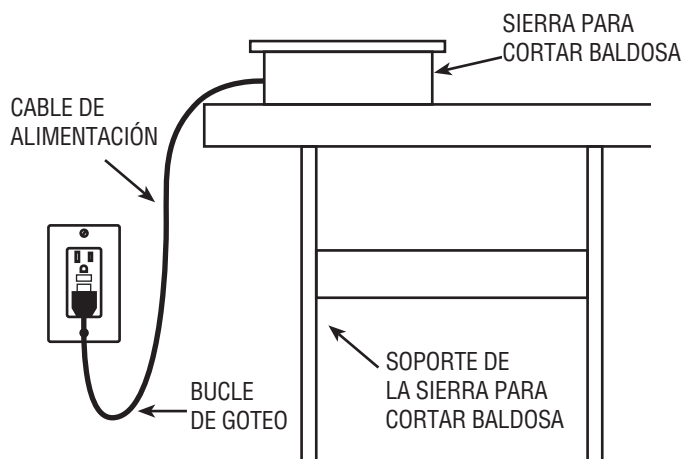
- **Hay instrucciones de seguridad adicionales para operaciones específicas de la sierra en la sección de operaciones. Lea el resto del manual para informarse sobre la utilización con seguridad.**

## UBICACIÓN

Utilice la sierra para cortar baldosa en un área bien iluminada y sobre una superficie nivelada, limpia y suficientemente lisa como para reducir el riesgo de tropezones y caídas. Utilícela donde ni el operador ni el observador casual estén forzados a ubicarse en línea con la hoja.

Para evitar la posibilidad de que el enchufe del electrodoméstico o el tomacorriente se moje, posicione la sierra para cortar baldosa a un lado de un tomacorriente montado en la pared, para impedir que gotee agua sobre el tomacorriente o el enchufe. El usuario debe preparar un “bucle de goteo” en el cordón que conecta la sierra al tomacorriente. El “bucle de goteo” es la parte del cordón que queda por debajo del nivel del tomacorriente, o el conector si se utiliza un cordón de extensión, para impedir que el agua se desplace a lo largo del cordón y entre en contacto con el tomacorriente.

**⚠ PELIGRO** Para reducir el riesgo de electrocución, NO desenchufe el cable de alimentación si el enchufe o el tomacorriente se moja. Desconecte el fusible o el cortacircuito que suministra energía a la herramienta. Luego, desenchufe la herramienta y examine el tomacorriente para determinar la presencia de agua en el mismo.



“CONSERVE ESTAS INSTRUCCIONES”



# Seguridad



## ADVERTENCIA

“LEA TODAS LAS INSTRUCCIONES”. El incumplimiento de las NORMAS DE SEGURIDAD identificadas por el símbolo del PUNTO NEGRO (●) que se indican A CONTINUACION y otras precauciones de seguridad puede dar lugar a lesiones personales graves.

- Si cualquier pieza de la sierra falta, funciona incorrectamente, se ha dañado o se ha roto... como el interruptor del motor u otro control operacional, un dispositivo de seguridad o el cable de alimentación... cese la operación inmediatamente, hasta que la pieza específica se haya reparado o reemplazado correctamente.
- No ponga NUNCA la cara o el cuerpo en línea con la herramienta de corte.
- No ponga NUNCA los dedos y las manos en el recorrido de la hoja de sierra u otra herramienta de corte.
- NO realice ninguna operación “A PULSO”. Utilice siempre el tope-guía para posicionar y guiar la pieza de trabajo para realizar cortes tanto al hilo como transversales.
- Proporcione un soporte adecuado en la parte trasera y los lados de la mesa de la sierra en el caso de piezas de trabajo más anchas o largas.
- Si detiene o atora la hoja para cortar baldosa en la pieza de trabajo, “APAGUE” la sierra, retire la pieza de trabajo de la hoja para cortar baldosa y compruebe si dicha hoja está paralela a las ranuras o acanaladuras de la mesa y si la cuchilla separadora está alineada correctamente con la hoja de sierra. Si está cortando al hilo en ese momento, compruebe si el tope-guía para cortar al hilo está paralelo a la hoja de sierra. Reajústelo según se indica.
- NO retire pedazos pequeños de material cortado que puedan quedar atrapados dentro del protector de la hoja mientras la sierra está en marcha. Esto podría poner en peligro las manos del operador o causar retroceso. APAGUE la sierra y espere hasta que la hoja se detenga.

## CONOZCA SUS HERRAMIENTAS DE CORTE

Las herramientas de corte desafiladas, gomosas o afiladas o ajustadas incorrectamente pueden hacer que el material se pegue, se atore, detenga la sierra o experimente retroceso hacia el operador. Minimice las lesiones potenciales con un mantenimiento apropiado de la herramienta de corte y la máquina. NO INTENTE NUNCA LIBERAR UNA HOJA DE SIERRA ATORADA SIN APAGAR PRIMERO LA SIERRA.

- No utilice NUNCA una hoja con dientes en la sierra para cortar baldosa.
- Asegúrese de que la herramienta de corte gire en el mismo sentido que la flecha de rotación ubicada en el protector superior. Asegúrese también de que la herramienta de corte, los collarines del eje portaherramienta y la tuerca del eje portaherramienta estén instalados apropiadamente. Mantenga la herramienta de corte lo más bajo posible para la operación que se esté realizando. Mantenga todos los protectores colocados en su sitio siempre que sea posible.
- No utilice ninguna hoja u otra herramienta de corte marcada para una velocidad de operación inferior a 3600 R.P.M. No utilice nunca una herramienta de corte que tenga un diámetro más grande que el diámetro para el cual se diseñó la sierra.

“CONSERVE ESTAS INSTRUCCIONES”

# Seguridad

**⚠ ADVERTENCIA** “LEA TODAS LAS INSTRUCCIONES”. El incumplimiento de las NORMAS DE SEGURIDAD identificadas por el símbolo del PUNTO NEGRO (•) que se indican A CONTINUACION y otras precauciones de seguridad puede dar lugar a lesiones personales graves.

- **No permita que la familiarización obtenida por el uso frecuente de la sierra para cortar baldosa se vuelva algo habitual.** Recuerde siempre que un descuido de una fracción de segundo es suficiente para causar una lesión grave.
- ¡PIENSE EN LA SEGURIDAD! LA SEGURIDAD ES UNA COMBINACIÓN DE SENTIDO COMÚN Y CONOCIMIENTO DE LAS INSTRUCCIONES DE SEGURIDAD Y DE FUNCIONAMIENTO POR PARTE DEL OPERADOR Y DE QUE ÉSTE PERMANEZCA ALERTA EN TODO MOMENTO MIENTRAS SE ESTÁ UTILIZANDO LA SIERRA PARA CORTAR BALDOSA.

**⚠ ADVERTENCIA** LAS ADVERTENCIAS QUE SE MUESTRAN A CONTINUACIÓN SE PUEDEN ENCONTRAR EN LA HERRAMIENTA. ESTAS ADVERTENCIAS SON SOLAMENTE UNA FORMA CONDENSADA DE LAS NORMAS Y PRECAUCIONES DE SEGURIDAD MAS DETALLADAS QUE APARECEN EN EL MANUAL DEL USUARIO. SIRVEN COMO RECORDATORIO DE TODAS LAS NORMAS DE SEGURIDAD NECESARIAS PARA LA UTILIZACIÓN CON SEGURIDAD DE ESTA SIERRA PARA CORTAR BALDOSA.

## ⚠ WARNING

For Your Own Safety – Read and understand owner’s manual before operating saw.

▲ Wear eye protection, earplugs and dust mask.

▲ To reduce the risk of electrical shock, plug tile saw into GFCI protected outlet only.

▲ Keep all connections dry and off the ground.

▲ Do not touch plug with wet hands.

▲ Disconnect saw from power source before servicing, cleaning or changing blade.

▲ Replace damaged cutting wheels before operating.

▲ Use tool only with smooth edge cutting wheels free of openings and grooves.

▲ After turning saw OFF, wait for blade to stop before removing cutoff pieces or changing settings.

▲ Use splash hood for every operation for which it can be used.

▲ Use cutting wheel rated 3600/min or greater.

▲ Do not expose to rain or use in damp locations.

▲ When servicing, use only identical replacement parts.

## ⚠ ADVERTENCIA

Para su propia seguridad: Lea y entienda el manual del usuario antes de utilizar la sierra.

▲ Use protección de los ojos, tapones de oídos y máscara antipolvo.

▲ Para reducir el riesgo de descargas eléctricas, enchufe la sierra para baldosa solamente en un tomacorriente protegido con un interruptor de GFCI.

▲ Mantenga todos los conectores secos y separados del piso.

▲ No toque el enchufe con las manos mojadas.

▲ Desconecte la sierra de la fuente de alimentación antes de hacerle servicio de ajustes y reparaciones, limpiarla o cambiarle la hoja.

▲ Reemplace las ruedas de corte dañadas antes utilizar la herramienta.

▲ Utilice la herramienta solamente con ruedas de corte de borde liso que estén libres de aberturas y ranuras.

▲ Después de APAGAR la sierra, espere a que la hoja se detenga antes de retirar las piezas cortadas o cambiar los ajustes.

▲ Utilice una cubierta antisalpicaduras para cada operación para la cual se pueda usar.

▲ Utilice una rueda de corte con una capacidad nominal de 3600/min o mayor.

▲ No la exponga a la lluvia ni la utilice en lugares húmedos.

▲ Cuando haga servicio de ajustes y reparaciones, utilice únicamente piezas de repuesto idénticas.

## ⚠ AVERTISSEMENT

Pour votre propre sécurité – Lisez et comprenez le mode d’emploi avant de vous servir de la scie.

▲ Portez des verres protecteurs, des bouche-oreilles et un masque contre les poussières.

▲ Pour réduire le risque de choc électrique, ne branchez la scie pour carrelages que dans une prise de courant munie d’un disjoncteur de fuite à la terre.

▲ Gardez toutes les connexions sèches et à distance du sol.

▲ Ne touchez pas la fiche si vous avez les mains mouillées.

▲ Débranchez la scie de la source d’alimentation électrique avant de la réparer, de la nettoyer ou d’en changer la lame.

▲ Remplacez tout disque de coupe endommagé avant de mettre l’outil en marche.

▲ Utilisez seulement l’outil avec des disques de coupe aux bords lisses sans rainures ou ouvertures.

▲ Après avoir arrêté la scie, attendez que la lame cesse de tourner avant de retirer les morceaux coupés ou de changer des réglages.

▲ Utilisez le capot de protection contre la projection d’états pour toutes les opérations avec lesquelles il peut être utilisé.

▲ Utilisez un disque de coupe de vitesse nominale 3600/min ou plus rapide.

▲ N’exposez pas à la pluie et n’utilisez pas dans des endroits humides.

▲ Lors de toute réparation, n’utilisez que des pièces de rechange idéntiques.

**SKILSAW® 3540**

F012354000 Ø7" (180mm) TILE SAW  
120V - 60Hz 4.2A n<sub>s</sub> 3600/min (RPM)

Charvon North America,  
Naperville, IL  
Made in China

UL LISTED  
T09  
E207890

“CONSERVE ESTAS INSTRUCCIONES”

# Seguridad

**⚠ ADVERTENCIA** “LEA TODAS LAS INSTRUCCIONES”. El incumplimiento de las NORMAS DE SEGURIDAD identificadas por el símbolo del PUNTO NEGRO (●) que se indican A CONTINUACION y otras precauciones de seguridad puede dar lugar a lesiones personales graves.

## Especificaciones del motor

En caso de mal funcionamiento o avería, la conexión a tierra proporciona un camino de resistencia mínima para la corriente eléctrica, con el fin de reducir el riesgo de descargas eléctricas. Esta herramienta está equipada con un cordón eléctrico que tiene un conductor de conexión a tierra del equipo y un enchufe de conexión a tierra. El enchufe se debe introducir en un tomacorriente coincidente que esté instalado y conectado a tierra adecuadamente, de acuerdo con todos los códigos y ordenanzas locales. Esta sierra está cableada para funcionar con corriente alterna de 110-120 V, 60 Hz. Antes de conectar el cordón eléctrico del motor a la fuente de alimentación, asegúrese de que el interruptor esté en la posición de “APAGADO” y asegúrese de que la corriente eléctrica tenga las mismas características que las especificadas en la placa de identificación de la sierra para cortar ingletes.

## Conexión a una fuente de alimentación

Esta máquina debe estar conectada a tierra mientras se esté utilizando, para proteger al operador contra las descargas eléctricas.

Enchufe el cable de alimentación en un tomacorriente de tipo conectado a tierra apropiadamente de 110-120 V, protegido por un fusible o cortacircuitos de acción retardada con elemento dual de 15 A.

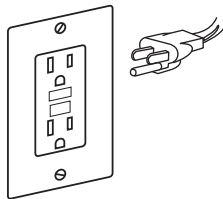
No todos los tomacorrientes están conectados a tierra apropiadamente. Si no está seguro si su tomacorriente, tal y como se muestra en esta página, está conectado a tierra apropiadamente, haga que un electricista calificado lo compruebe.

**⚠ PELIGRO** Para evitar las descargas eléctricas, no toque los terminales metálicos del enchufe cuando inserte el enchufe en el tomacorriente ni cuando lo saque del mismo.

**⚠ PELIGRO** Si esta herramienta eléctrica no se conecta apropiadamente a tierra, el resultado puede ser electrocución o descargas eléctricas fuertes, especialmente cuando se utilice cerca de plomería metálica u otros objetos metálicos. Si usted recibe una descarga eléctrica, su reacción podría hacer que las manos golpeen la herramienta.

**⚠ PELIGRO** Si el cable de alimentación está desgastado, cortado o dañado de alguna manera, haga que lo reemplacen inmediatamente para evitar el peligro de descargas eléctricas o incendio.

Su unidad está diseñada para utilizarse con 120 V y está equipada con un cordón de 3 conductores y un enchufe tipo de conexión a tierra, aprobados por Underwriters Laboratories y la Canadian Standards Association. El conductor de conexión a tierra tiene un forro verde y está sujeto a la carcasa de la herramienta en un extremo y al terminal de conexión a tierra del enchufe de conexión en el otro extremo.



Si el tomacorriente que piensa usar para esta herramienta eléctrica es del tipo de dos terminales, NO quite ni altere de ninguna manera el terminal de conexión a tierra. Haga que un electricista calificado reemplace el tomacorriente para DOS terminales con un tomacorriente para TRES terminales conectado a tierra adecuadamente.

La conexión incorrecta del conductor de conexión a tierra del equipo puede causar un riesgo de descargas eléctricas. El conductor con aislamiento que tiene una superficie exterior de color verde con o sin franjas amarillas es el conductor del equipo. Si es necesario reparar o reemplazar el cordón eléctrico o el enchufe, no conecte el conductor de conexión a tierra del equipo a un terminal con corriente.

Consulte a un electricista calificado o a personal de servicio calificado si no entiende completamente las instrucciones de conexión a tierra o si tiene dudas sobre si la herramienta está conectada a tierra adecuadamente.

## Cordones de extensión

Utilice siempre un cordón de extensión apropiado. La utilización de cualquier cordón de extensión causará algo de pérdida de potencia. Para reducir esta pérdida al mínimo y evitar el recalentamiento y que el motor se queme, utilice la tabla que aparece a continuación para determinar el cordón de extensión con el tamaño de cable mínimo (A.W.G., calibre americano de alambres). Utilice únicamente cordones de extensión de tres cables que tengan enchufes de tipo de conexión a tierra de tres terminales y tomacorrientes para tres polos que acepten el enchufe de la herramienta. Asegúrese de que su cordón de extensión esté en buenas condiciones.

Utilice únicamente cordones de extensión que estén diseñados para uso a la intemperie. Estos cordones de extensión están identificados con las palabras “Acceptable for use with outdoor appliances, store indoors while not in use” (Aceptable para uso con electrodomésticos exteriores, almacénelo en interiores mientras no esté en uso). Utilice únicamente cordones de extensión que tengan una capacidad nominal eléctrica igual o mayor que la capacidad nominal del producto. No utilice cordones de extensión dañados. Examine el cordón de extensión antes de utilizarlo y reemplácelo si está dañado. No abuse de los cordones de extensión y no jale ningún cordón para desconectarlo. Mantenga el cordón alejado del calor y de los bordes afilados. Desconecte siempre el cordón de extensión del tomacorriente antes de desconectar el producto del cordón de extensión.

- Sustituya los cordones dañados inmediatamente. La utilización de cordones dañados puede causar sacudidas, quemar o electrocutar.
- Si se necesita un cordón de extensión, se debe utilizar un cordón con conductores de tamaño adecuado para prevenir caídas de tensión excesivas, pérdidas de potencia o sobrecalentamiento. La tabla muestra el tamaño correcto a utilizar, según la longitud del cordón y la capacidad nominal en amperios indicada en la placa del fabricante de la herramienta. En caso de duda, utilice la medida más gruesa siguiente. Utilice siempre cordones de extensión catalogados por U.L. y la CSA.

### TAMAÑOS RECOMENDADOS DE CORDONES DE EXTENSION

Capacidad nominal en amperios de la herramienta	HERRAMIENTAS DE 120 VOLT C. A. Longitud del cordón en pies Tamaño del cordón en calibres A.W.G.			
	25	50	100	150
0-6	18	16	16	14
6-10	18	16	14	12
10-12	16	16	14	12
12-16	14	12	—	—

NOTA: Cuanto más pequeño es el número de calibre, más grueso es el cordón.

**“CONSERVE ESTAS INSTRUCCIONES”**

# Índice

Normas generales de seguridad .....	30	Utilización .....	40-42
Normas de seguridad adicionales .....	31-35	Llenado de la cubeta de agua .....	40
Especificaciones del motor y requisitos eléctricos .....	35	Arranque y parada .....	41
Índice .....	36	Realización de un corte plano .....	41
Glosario de términos .....	36	Realización de un corte a inglete .....	42
Desempaquetado y comprobación del contenido.....	37	Realización de un corte en bisel .....	42
Familiarización con la sierra para cortar baldosa .....	38	Después del uso .....	42
Ensamblaje y ajustes .....	39-40	Mantenimiento de la sierra para cortar baldosa .....	43
Instalación de la hoja para baldosa .....	39	Resolución de problemas .....	43
Instalación del protector superior .....	40		
Ajuste del brazo del protector superior .....	40		

## Glosario de términos

### **A PULSO**

Realizar un corte sin tope-guía, calibre de ingletes, dispositivo de fijación, dispositivo de sujeción u otro dispositivo apropiado para evitar que la pieza de trabajo se tuerza durante el corte.

### **CORTE AL HILO**

Una operación de corte a lo largo de la longitud de la pieza de trabajo, cortando dicha pieza con la anchura deseada.

### **CORTE TRANSVERSAL**

Una operación de corte o afilado realizada transversalmente a la anchura de la pieza de trabajo, cortando dicha pieza con la longitud deseada.

### **EJE PORTAHERRAMIENTA**

El eje en el cual se monta una herramienta de corte.

### **EXTREMO DE ENTRADA**

El extremo de la pieza de trabajo que, durante una operación de tipo de corte al hilo, es empujado primero hacia la herramienta de corte.

### **PIEZA DE TRABAJO**

El objeto en el cual se está realizando la operación de corte. Las superficies de una pieza de trabajo se denominan comúnmente caras, extremos y bordes.

### **REVOLUCIONES POR MINUTO (R.P.P.)**

El número de vueltas completadas en un minuto por un objeto que gira.

## Desempaquetado y comprobación del contenido

**⚠ ADVERTENCIA** Para reducir el riesgo de lesiones, no conecte nunca el enchufe al tomacorriente de la fuente de alimentación hasta que todos los pasos de ensamblaje se hayan completado y hasta que usted haya leído y entendido todo el manual del usuario.

La sierra para cortar baldosa modelo 3540 se envía completa en una caja.

**⚠ ADVERTENCIA** Desempaquetado y comprobación del contenido. Separe todas las piezas de los materiales de empaquetamiento y compruebe cada uno de ellos con la "Tabla de piezas sueltas" para asegurarse de que no falte ningún artículo antes de desechar cualquier material de empaquetamiento.

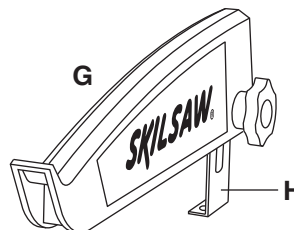
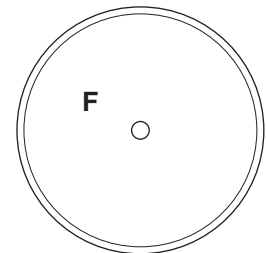
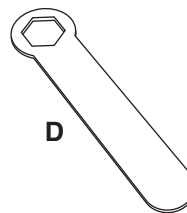
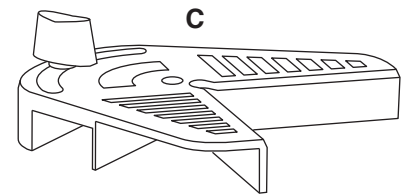
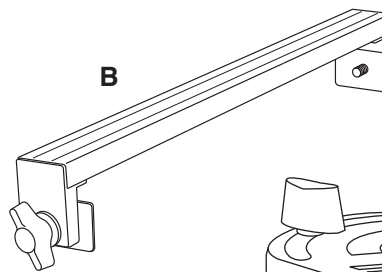
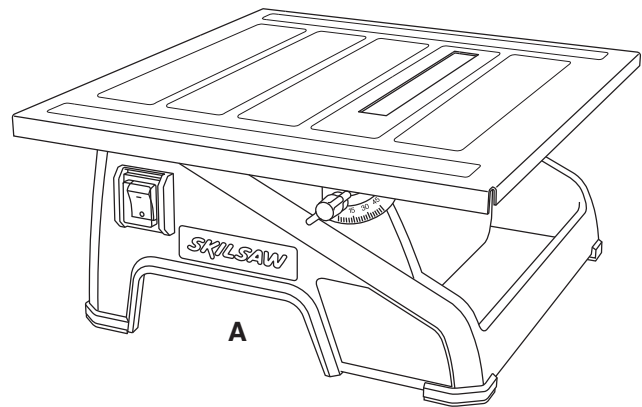
Si falta alguna pieza, no intente ensamblar la sierra, enchufar el cable de alimentación o poner el interruptor en la posición de encendido hasta que todas las piezas que falten se hayan obtenido e instalado correctamente.

### Tabla de piezas sueltas

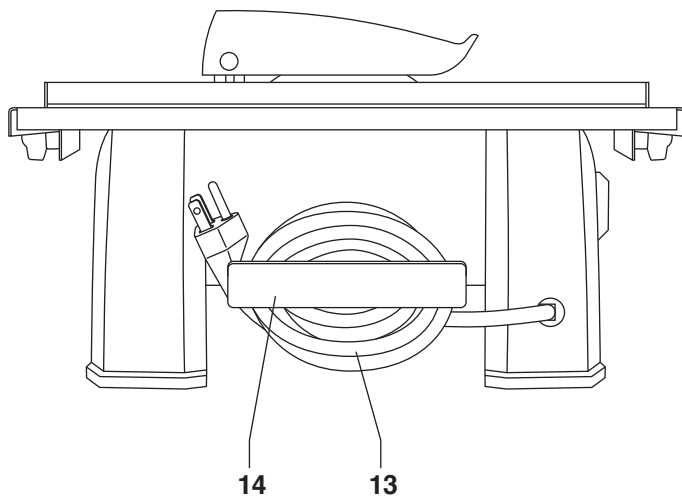
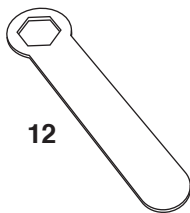
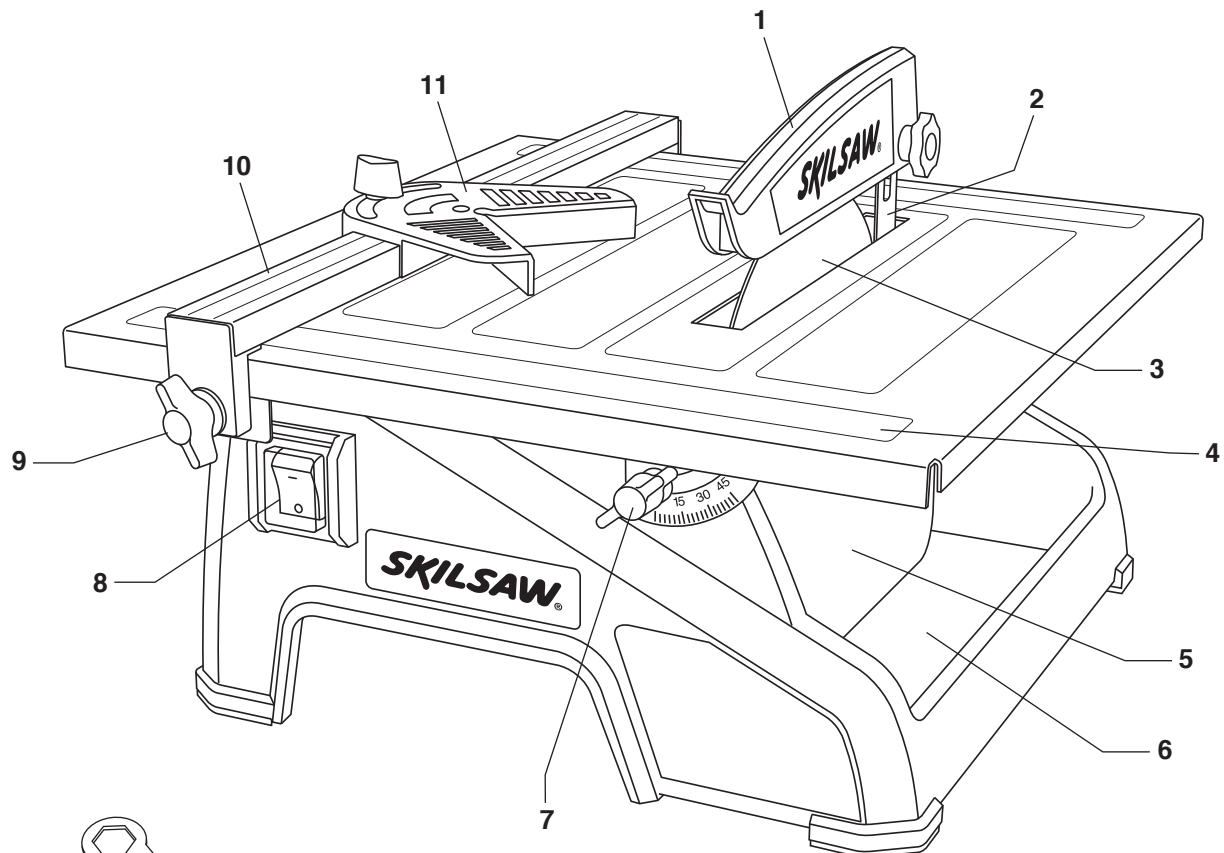
ARTÍCULO	DESCRIPCIÓN	CANT.
A	Sierra para cortar baldosa	1
B	Tope-guía para cortar al hilo	1
C	Calibre de ingletes	1
D	Llave	1
F	Hoja para cortar baldosa	1
G	Protector superior	1
H	Brazo del protector superior	1

### Herramientas adicionales necesarias para el ensamblaje

Destornillador de cabeza Phillips



## Familiarización con la sierra para cortar baldosa



1. Protector superior
2. Brazo del protector superior
3. Hoja para cortar baldosa
4. Escala de corte al hilo
5. Protector inferior
6. Cubeta de agua
7. Pomo de ajuste del corte en bisel
8. Interruptor de encendido y apagado
9. Pomo de fijación del tope-guía
10. Tope-guía
11. Calibre de ingletes
12. Llave
13. Cable de alimentación
14. Enrollador del cordón



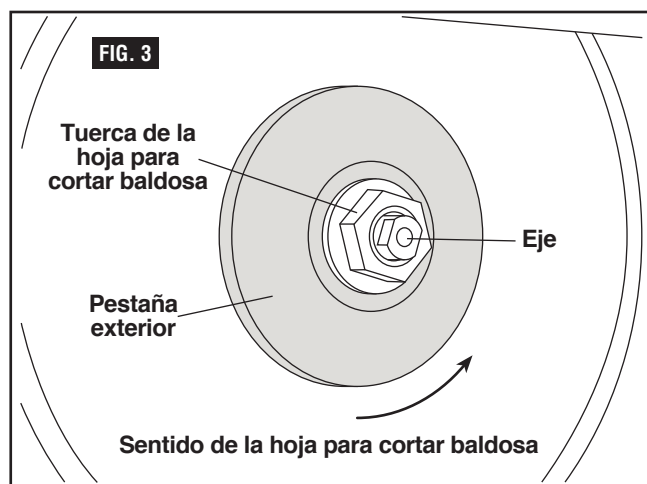
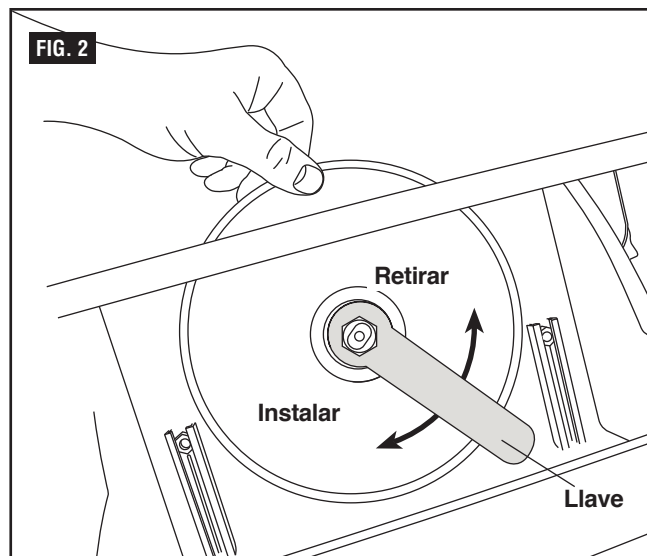
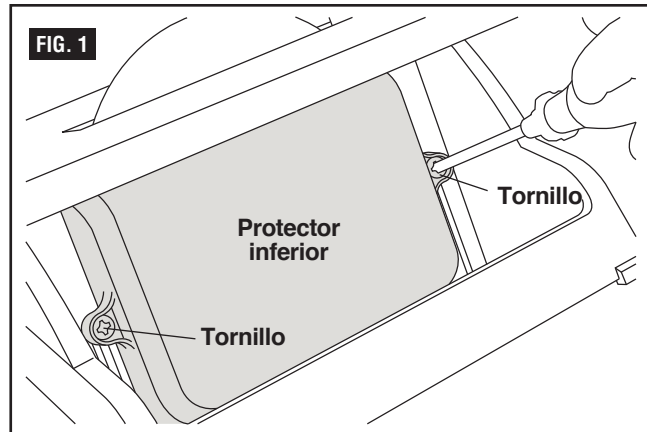
## Ensamblaje y ajustes

**⚠ ADVERTENCIA** Desconecte el enchufe de la fuente de alimentación antes de hacer ajustes o cambiar accesorios. Tales medidas de seguridad preventivas de seguridad reducen el riesgo de arrancar la herramienta accidentalmente.

### Instalación de la hoja para cortar baldosa

**⚠ ADVERTENCIA** Para reducir el riesgo de lesiones, no utilice una hoja para cortar baldosa mayor o menor de 7 pulgadas de diámetro y no utilice una hoja para cortar baldosa con una capacidad nominal de velocidad inferior a 3600 RPM. Utilice únicamente una hoja para cortar baldosa de borde liso libre de aberturas y ranuras.

1. Retire el protector inferior utilizando un destornillador número 2 (no suministrado) para aflojar los dos tornillos de sujeción (Fig. 1).
2. Agarre firmemente con la mano la hoja de sierra para cortar baldosa y luego afloje la tuerca con la llave de tuerca en sentido contrario al de las agujas del reloj (Fig. 2).
3. Retire la pestaña exterior y la hoja para cortar baldosa.
4. Asegúrese de que el eje y las pestañas estén limpios.
5. Asegúrese de que la flecha direccional marcada en la hoja nueva para cortar baldosa esté señalando en sentido contrario al de las agujas del reloj con el eje (Fig. 3). Asegúrese de que la pestaña exterior esté alineada con el eje.
6. Instale la hoja nueva para cortar baldosa invirtiendo los pasos requeridos para retirar la hoja para cortar baldosa. **NO LA APRIETE EXCESIVAMENTE.**
7. Asegúrese de que la hoja para cortar baldosa esté firmemente sujeta antes de utilizarla.



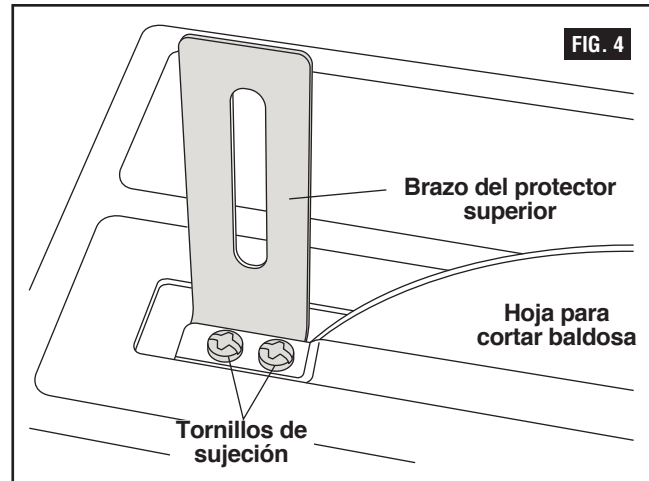
## Ensamblaje y ajustes

### Instalación del protector superior

Coloque el borde inferior del brazo del protector superior debajo del tablero de la mesa en la parte trasera de la hoja. Inserte y apriete los dos tornillos de sujeción (Fig. 4).

### Ajuste del brazo del protector superior

1. Retire el protector superior aflojando el pomo que lo sujeta firmemente en su sitio.
2. Afloje los dos tornillos de sujeción (Fig. 4) y asegúrese de que el brazo esté alineado con la hoja para cortar baldosa.
3. Apriete los dos tornillos de sujeción.



## Utilización

### Ubicación de la sierra para cortar baldosa

Utilice la sierra para cortar baldosa en un área bien iluminada y sobre una superficie nivelada, limpia y lo bastante lisa como para reducir el riesgo de tropezones o caídas. Utilícela donde ni el operador ni el observador causal se vean forzados a situarse en línea con la hoja.

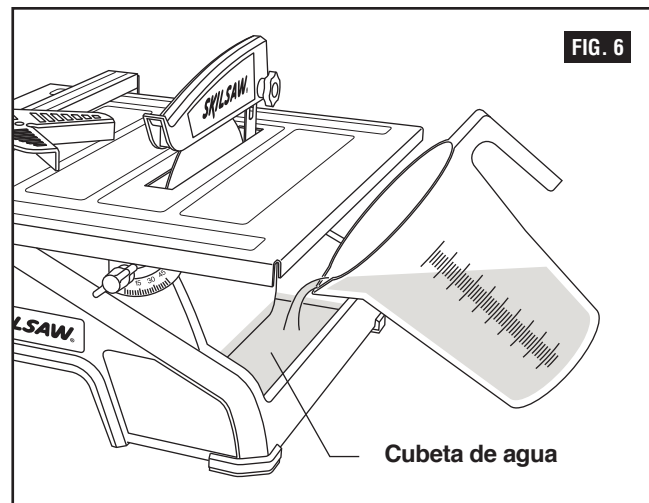
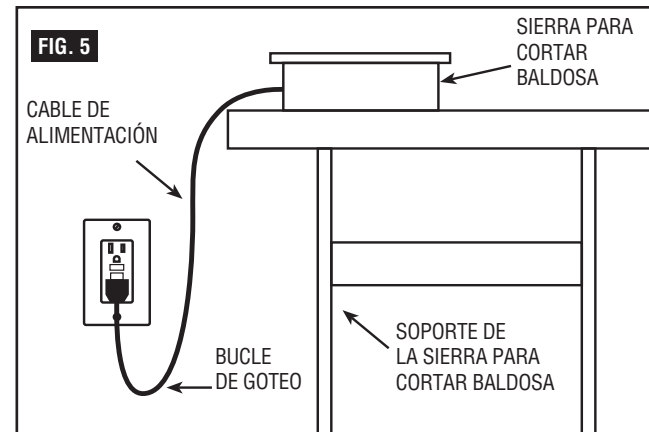
Para evitar la posibilidad de que el enchufe del electrodoméstico o el tomacorriente se moje, posicione la sierra para cortar baldosa a un lado de un tomacorriente montado en la pared para impedir que el agua gotee en el tomacorriente o enchufe. El usuario debe preparar un "bucle de goteo" en el cordón que conecta la sierra a un tomacorriente. El "bucle de goteo" es la parte del cordón que queda por debajo del nivel del tomacorriente, o el conector si se utiliza un cordón de extensión, para impedir que el agua se desplace a lo largo del cordón y entre en contacto con el tomacorriente.

**⚠ PELIGRO** Para reducir el riesgo de electrocución, **NO** desenchufe el cable de alimentación si el enchufe o el tomacorriente se moja. Desconecte el fusible o el cortacircuito que suministra energía a la herramienta. Luego, desenchufe la herramienta y examine el tomacorriente para detectar la presencia de agua en el mismo.

### Llenado de la cubeta de agua

Llene la cubeta de agua con tanta agua como sea posible, pero no lo sobrellene. No añada sustancias químicas ni detergentes al agua. (Fig. 6)

**⚠ PRECAUCIÓN** La falta de agua puede dañar la hoja para cortar baldosa. No encienda nunca la máquina sin suficiente agua en la bandeja. Añada agua si observa aserrín en el aire.



# Utilización

## Arranque y parada

**⚠ PELIGRO** Para reducir el riesgo de electrocución, mantenga todas las conexiones secas y separadas del piso. No toque el enchufe con las manos mojadas.

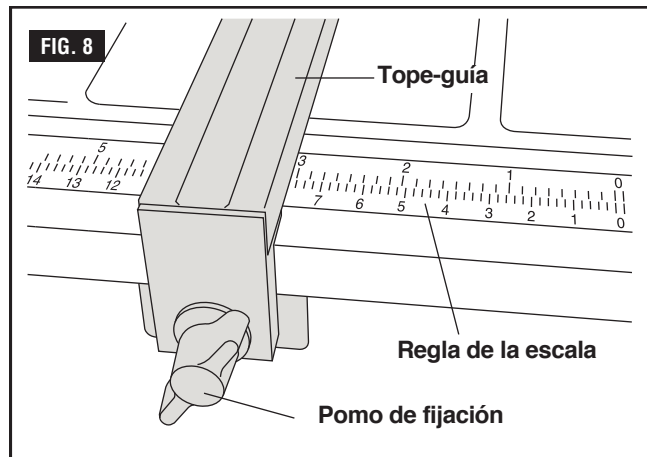
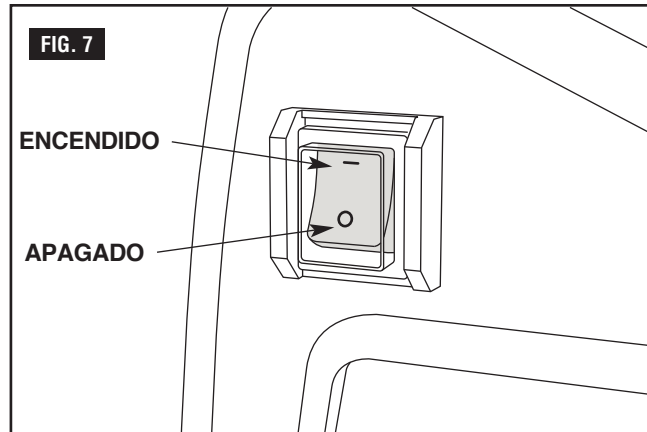
**⚠ ADVERTENCIA** Para reducir el riesgo de descargas eléctricas, enchufe la sierra para cortar baldosa solamente en un tomacorriente protegido por un interruptor de circuito accionado por corriente de pérdida a tierra (GFCI). Si no hay disponible un tomacorriente protegido por un GFCI, use un tomacorriente portátil con protección GFCI incorporada.

**⚠ ADVERTENCIA** Para reducir el riesgo de descargas eléctricas, compruebe siempre el GFCI para asegurarse de que está funcionando correctamente antes de enchufar la sierra para cortar baldosa en un tomacorriente protegido con GFCI.

Conecte la unidad a una fuente de alimentación con el voltaje y la frecuencia correctos (120 V, 60 Hz).

**Para arrancar la sierra:** Empuje el interruptor hasta la posición "1" (ENCENDIDO) (Fig. 7).

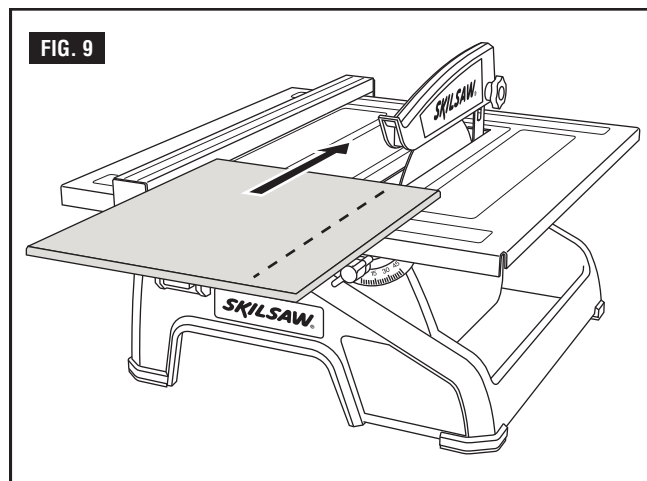
**Para parar la sierra:** Empuje el interruptor hasta la posición "0" (APAGADO) (Fig. 7).



## Realización de un corte plano

1. Ajuste el protector superior/cubierta antisalpicaduras para que esté ligeramente más alto que la pieza de trabajo y apriete el pomo para sujetarlo firmemente.
2. Ajuste el tope-guía para cortar al hilo paralelo a la distancia deseada de la hoja para cortar baldosa, utilizando las reglas de la escala ubicadas en la superficie de la mesa como referencia. Apriete los pomos de fijación del tope-guía ubicados a cada lado para bloquear firmemente el tope-guía para cortar al hilo paralelo sobre la mesa. (Fig. 8)
3. Coloque la pieza de trabajo contra el tope-guía para cortar al hilo paralelo y haga avanzar la baldosa hacia la hoja para cortar baldosa con una presión firme y uniforme (si se fuerza la baldosa, el resultado será que la hoja perderá velocidad, lo cual podría causar recalentamiento del motor). (Fig. 9)
4. Apague la sierra cuando el corte esté completo.

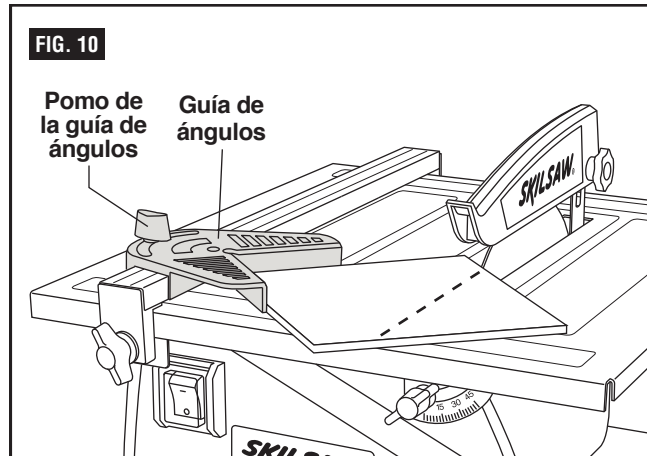
**⚠ ADVERTENCIA** No ponga nunca la mano o los dedos en el recorrido de la hoja para cortar baldosa.



## Utilización

### Realización de un corte a inglete

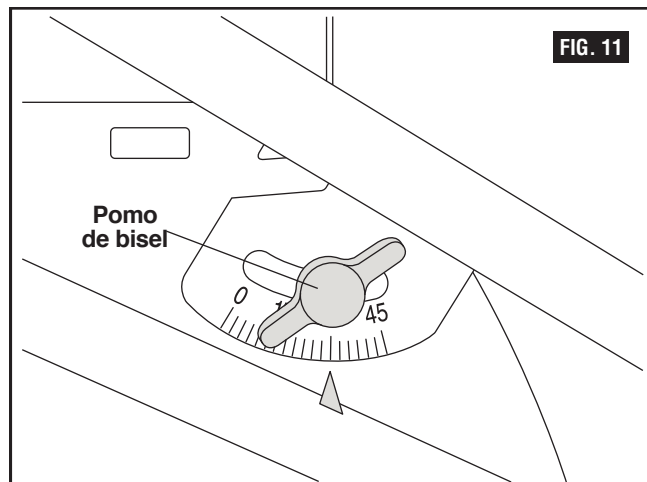
1. Ajuste el tope-guía para cortar al hilo paralelo a la distancia deseada de la hoja para cortar baldosa, utilizando las reglas de la escala ubicadas en la superficie de la mesa como referencia. Apriete los pomos de fijación del tope-guía ubicados a cada lado para bloquear firmemente el tope-guía para cortar al hilo paralelo sobre la mesa. (Fig. 8)
2. Utilice la guía de ángulos suministrada en combinación con el tope-guía para cortar al hilo paralelo.
3. Seleccione el ángulo deseado y apriete el tornillo para sujetar firmemente la guía de ángulos (Fig. 10).
4. Coloque la baldosa contra la guía de ángulos. (Fig. 10).
5. Sujete firmemente la baldosa contra la guía de ángulos y hágala avanzar lentamente hacia la hoja para cortar baldosa que está girando.



### Realización de un corte en bisel

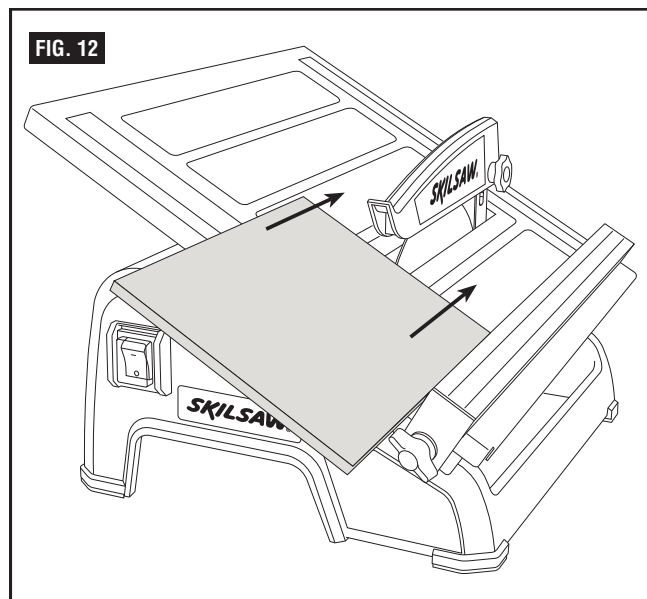
1. Afloje los pomos de corte en bisel ubicados a ambos lados de la mesa (Fig. 11).
2. Incline la mesa hasta el ángulo deseado, utilizando la escala como referencia.
3. Apriete los pomos de corte en bisel.
4. Siga las instrucciones para hacer un corte plano (Fig. 12).

**⚠ ADVERTENCIA** Para evitar posibles lesiones, el tope-guía para cortar al hilo se debe utilizar únicamente en el lado derecho de la mesa mientras se hace un corte en bisel.



### Después del uso

- Verifique si el interruptor de ENCENDIDO y APAGADO está en la posición de APAGADO.
- Desenchufe la sierra para cortar baldosa de la fuente de alimentación.
- Limpie la sierra para cortar baldosa después de cada uso.
- Vacíe y limpie la cubeta de agua.
- Limpie con un paño todas las superficies exteriores y la hoja para cortar baldosa.



# Mantenimiento de la sierra para cortar baldosa

## Mantenimiento

**⚠ ADVERTENCIA** Para su propia seguridad, ponga el interruptor en la posición de “APAGADO” y saque el enchufe del tomacorriente de la fuente de alimentación antes de mantener o lubricar la sierra.

El cable de alimentación y la herramienta se deben limpiar con un paño limpio y seco para evitar el deterioro causado por el aceite y la grasa.

**⚠ ADVERTENCIA** Ciertos agentes limpiadores y solventes de limpieza pueden dañar las piezas de plástico. Algunos de éstos son: gasolina, tetracloruro de carbono, solventes de limpieza clorados, amoníaco y detergentes domésticos que contienen amoníaco. Si se evita el uso de éstos y otros tipos de agentes de limpieza, se minimizará la posibilidad de daños.

Una capa de cera tipo automóvil aplicada a la mesa ayudará a mantener la superficie limpia y permitirá que las piezas de trabajo se deslicen más libremente.

Si el cable de alimentación está desgastado o cortado, o dañado de alguna otra manera, haga que lo reemplacen de inmediato.

**⚠ ADVERTENCIA** Todas las reparaciones, eléctricas o mecánicas, deben ser intentadas únicamente por técnicos de reparaciones capacitados. Contacte el Centro de Servicio de Fábrica más cercano o la Estación de Servicio Autorizada más próxima u otro servicio de reparación competente. Utilice únicamente piezas de repuesto idénticas; cualquier otra pieza podría crear un peligro.

## Accesorios

**⚠ ADVERTENCIA** Utilice únicamente accesorios recomendados. Siga las instrucciones que acompañan a los accesorios. El uso de accesorios incorrectos puede causar un incendio.

## Resolución de problemas

**⚠ ADVERTENCIA** Ponga el interruptor en la posición de apagado y retire siempre el enchufe de la fuente de alimentación antes de realizar resolución de problemas.

DIFICULTAD	PROBLEMA	SOLUCIÓN
No arranca	El cordón no está enchufado.	Enchúfelo
	Fusible se ha fundido o el cortacircuito ha saltado.	Reemplace el fusible o reajuste el cortacircuito que haya saltado.
	Cordón dañado.	Haga que un Centro de Servicio Skil Autorizado o una Estación de Servicio Skil Autorizada reemplace el cordón.
	Interruptor quemado.	Haga que un Centro de Servicio Skil Autorizado o una Estación de Servicio Skil Autorizada reemplace el interruptor.
No alcanza la velocidad completa	El cordón de extensión es demasiado ligero o demasiado largo.	Reemplácelo con el cordón adecuado.
	Voltaje doméstico bajo.	Contacte a su compañía eléctrica.
Vibración excesiva	Hoja desequilibrada.	Tire la hoja y use una hoja distinta. Consulte la página 39.
	El perno de la hoja para cortar baldosa no está apretado.	Consulte “Instalación de la hoja para cortar baldosa”, página 39.

**LIMITED WARRANTY OF SKIL CONSUMER BENCHTOP POWER TOOLS**

Chervon North America ("Seller") warrants to the original purchaser only, that all SKIL consumer benchtop power tools will be free from defects in material or workmanship for a period of three years from date of purchase, if original purchaser registers the product within 30 days from purchase. Product registration can be completed online at [www.skiltools.com](http://www.skiltools.com) or by mail with the registration card included in the packaged product. Original purchasers should also retain their receipt as proof of purchase. Original purchasers that do not register their product will receive the standard Skil one year home use warranty. SKIL consumer benchtop portable power tool models will be free from defects in material or workmanship for a period of ninety days if the tool is used for professional use.

SELLER'S SOLE OBLIGATION AND YOUR EXCLUSIVE REMEDY under this Limited Warranty and, to the extent permitted by law, any warranty or condition implied by law, shall be the repair or replacement of parts, without charge, which are defective in material or workmanship and which have not been misused, carelessly handled, or misrepaired by persons other than Seller or Authorized Service Station. To make a claim under this Limited Warranty, you must return the complete product, transportation prepaid, to any SKIL Factory Service Center or Authorized Service Station. For Authorized SKIL Power Tool Service Stations, please visit [www.skiltools.com](http://www.skiltools.com) or call 1-877-SKIL-999 (1-877-754-5999).

THIS LIMITED WARRANTY DOES NOT APPLY TO ACCESSORY ITEMS SUCH AS CIRCULAR SAW BLADES, DRILL BITS, ROUTER BITS, JIGSAW BLADES, SANDING BELTS, GRINDING WHEELS AND OTHER RELATED ITEMS.

ANY IMPLIED WARRANTIES SHALL BE LIMITED IN DURATION TO ONE YEAR FROM DATE OF PURCHASE. SOME STATES IN THE U.S., SOME CANADIAN PROVINCES DO NOT ALLOW LIMITATIONS ON HOW LONG AN IMPLIED WARRANTY LASTS, SO THE ABOVE LIMITATION MAY NOT APPLY TO YOU.

IN NO EVENT SHALL SELLER BE LIABLE FOR ANY INCIDENTAL OR CONSEQUENTIAL DAMAGES (INCLUDING BUT NOT LIMITED TO LIABILITY FOR LOSS OF PROFITS) ARISING FROM THE SALE OR USE OF THIS PRODUCT. SOME STATES IN THE U.S. AND SOME CANADIAN PROVINCES DO NOT ALLOW THE EXCLUSION OR LIMITATION OF INCIDENTAL OR CONSEQUENTIAL DAMAGES, SO THE ABOVE LIMITATION OR EXCLUSION MAY NOT APPLY TO YOU.

THIS LIMITED WARRANTY GIVES YOU SPECIFIC LEGAL RIGHTS, AND YOU MAY ALSO HAVE OTHER RIGHTS WHICH VARY FROM STATE TO STATE IN THE U.S., PROVINCE TO PROVINCE IN CANADA AND FROM COUNTRY TO COUNTRY.

THIS LIMITED WARRANTY APPLIES ONLY TO PRODUCTS SOLD WITHIN THE UNITED STATES OF AMERICA, CANADA AND THE COMMONWEALTH OF PUERTO RICO. FOR WARRANTY COVERAGE WITHIN OTHER COUNTRIES, CONTACT YOUR LOCAL SKIL DEALER OR IMPORTER.

**GARANTIE LIMITÉE DES OUTILS ÉLECTRIQUES GRAND PUBLIC SKIL DE TABLE**

Chervon North America (le « Vendeur ») garantit à l'acheteur initial seulement que tous les outils électriques grand public SKIL de table seront exempts de vices de matériau ou de façon pendant une période de trois ans depuis la date d'achat si l'acheteur initial enregistre le produit dans les 30 jours suivant l'achat. L'enregistrement du produit peut être effectué en ligne à [www.skiltools.com](http://www.skiltools.com) ou par courrier postal en renvoyant la carte d'enregistrement incluse dans l'emballage du produit. Les acheteurs initiaux doivent également conserver leur reçu comme justificatif de leur achat. Les acheteurs initiaux qui n'enregistrent pas leur produit recevront la garantie Skil standard d'un an pour les produits utilisés à domicile. Les modèles d'outils électriques grand public SKIL de table sont garantis exempts de vices de matériau ou de façon pendant une période de quatre-vingt-dix jours si l'outil est utilisé professionnellement.

LA SEULE OBLIGATION DU VENDEUR ET LE SEUL RECOURS DE L'ACHETEUR sous la présente garantie limitée, et dans la mesure où la loi le permet sous toute garantie ou condition implicite qui en découlerait, sera l'obligation de remplacer ou réparer gratuitement les pièces défectueuses en termes de matériau ou de façon, pourvu que lesdites déficiences ne soient pas attribuables à un usage abusif ou à quelque réparation ou altération bricolée par quelqu'un d'autre que le Vendeur ou le personnel d'une station-service agréée. En cas de réclamation sous la présente garantie limitée, l'acheteur est tenu de renvoyer l'outil complet en port payé à un centre de service-usine SKIL ou une station-service agréée. Pour trouver les coordonnées de la station-service agréée SKIL la plus proche, veuillez visiter [www.skiltools.com](http://www.skiltools.com) ou téléphoner au 1-877-SKIL-999 (1-877-754-5999).

LA PRÉSENTE GARANTIE NE S'APPLIQUE PAS AUX ACCESSOIRES TELS QUE LAMES DE SCIE CIRCULAIRE, MÈCHES DE PERCEUSES, FERS DE TOUPIES, LAMES DE SCIES SAUTEUSES, COURROIES DE PONÇAGE, MEULES ET AUTRES ARTICLES DU GENRE.

TOUTE GARANTIE IMPLICITE SERA LIMITÉE À UNE DURÉE À UN AN À COMPTER DE LA DATE D'ACHAT. COMME CERTAINS ÉTATS AMÉRICAINS ET CERTAINES PROVINCES CANADIENNES N'ADMETTENT PAS LE PRINCIPE DE LA LIMITATION DE LA DURÉE DES GARANTIES IMPLICITES, IL EST POSSIBLE QUE LES LIMITATIONS CI-DESSUS NE S'APPLIQUENT PAS À VOTRE CAS.

EN AUCUN CAS LE VENDEUR NE SAURAIT ÊTRE TENU POUR RESPONSABLE DES INCIDENTS OU DOMMAGES INDIRECTS (INCLUANT, MAIS NE SE LIMITANT PAS AUX PERTES DE PROFITS) CONSÉCUTIFS À LA VENTE OU À L'USAGE DE CE PRODUIT. COMME CERTAINS ÉTATS AMÉRICAINS ET CERTAINES PROVINCES CANADIENNES N'ADMETTENT PAS LE PRINCIPE DE LA LIMITATION OU DE L'EXCLUSION DES DOMMAGES INDIRECTS ET SECONDAIRES, IL EST POSSIBLE QUE LES LIMITATIONS OU EXCLUSIONS CI-DESSUS NE S'APPLIQUENT PAS À VOTRE CAS.

CETTE GARANTIE LIMITÉE VOUS DONNE DES DROITS PRÉCIS, ET VOUS POUVEZ ÉGALEMENT AVOIR D'AUTRES DROITS QUI VARIENT D'UN ÉTAT À L'AUTRE AUX ÉTATS-UNIS, D'UNE PROVINCE À L'AUTRE AU CANADA, ET D'UN PAYS À L'AUTRE.

CETTE GARANTIE LIMITÉE S'APPLIQUE UNIQUEMENT AUX OUTILS VENDUS AUX ÉTATS-UNIS D'AMÉRIQUE, AU CANADA ET DANS LE COMMONWEALTH DE PORTO RICO. POUR CONNAÎTRE LA COUVERTURE DE GARANTIE DANS LES AUTRES PAYS, CONTACTEZ VOTRE IMPORTATEUR OU REVENDEUR SKIL LOCAL.

**GARANTÍA LIMITADA PARA HERRAMIENTAS ELÉCTRICAS DE BANCO DE CONSUMO SKIL**

Chervon North America ("el Vendedor") garantiza, únicamente al comprador original, que todas las herramientas eléctricas de banco de consumo SKIL estarán libres de defectos de material o de fabricación durante un periodo de tres años a partir de la fecha de compra, si el comprador original registra el producto dentro del plazo de 30 días después de la fecha de compra. El registro del producto se puede completar a través de Internet en [www.skiltools.com](http://www.skiltools.com) o por correo con la tarjeta de registro incluida en el producto empaquetado. Los compradores originales también deberán retener su recibo como comprobante de compra. Los compradores originales que no registren su producto recibirán la garantía de uso doméstico de un año Skil estándar. Los modelos de herramientas eléctricas portátiles de banco de consumo SKIL estarán libres de defectos de material o de fabricación durante un período de noventa días si la herramienta se emplea para uso profesional.

LA ÚNICA OBLIGACIÓN DEL VENDEDOR Y EL RECURSO EXCLUSIVO QUE USTED TIENE bajo esta Garantía Limitada y, hasta donde la ley lo permita, bajo cualquier garantía o condición implícita por ley, consistirá en la reparación o sustitución sin costo de las piezas que presenten defectos de material o de fabricación y que no hayan sido utilizadas incorrectamente, manejadas descuidadamente o reparadas incorrectamente por personas que no sean el Vendedor o una Estación de servicio autorizada. Para efectuar una reclamación bajo esta Garantía Limitada, usted debe devolver el producto completo, con el transporte prepago, a cualquier Centro de servicio de fábrica SKIL o Estación de servicio SKIL autorizada. Para localizar Estaciones de servicio autorizadas de herramientas mecánicas SKIL, sírvase visitar [www.skiltools.com](http://www.skiltools.com) o llame al 1-877-SKIL-999 (1-877-754-5999).

ESTA GARANTÍA LIMITADA NO SE APLICA A ARTÍCULOS ACCESORIOS TALES COMO HOJAS PARA SIERRAS CIRCULARES, BROCAS PARA TALADROS, BROCAS PARA FRESADORAS, HOJAS PARA SIERRAS DE VAIVÉN, CORREAS PARA LIJAR, RUEDAS DE AMOLAR Y OTROS ARTÍCULOS RELACIONADOS.

TODAS LAS GARANTÍAS IMPLÍCITAS TENDRÁN UNA DURACIÓN LIMITADA A UN AÑO A PARTIR DE LA FECHA DE COMPRA. ALGUNOS ESTADOS DE LOS EE.UU. Y ALGUNAS PROVINCIAS CANADIENSES NO PERMITEN LIMITACIONES EN CUANTO A LA DURACIÓN DE UNA GARANTÍA IMPLÍCITA, POR LO QUE ES POSIBLE QUE LA LIMITACIÓN ANTERIOR NO SEA APLICABLE EN EL CASO DE USTED.

EL VENDEDOR NO SERÁ RESPONSABLE EN NINGÚN CASO DE NINGÚN DAÑO INCIDENTAL O EMERGENTE (INCLUYENDO PERO NO LIMITADO A RESPONSABILIDAD POR PÉRDIDA DE BENEFICIOS) QUE SE PRODUZCA COMO CONSECUENCIA DE LA VENTA O UTILIZACIÓN DE ESTE PRODUCTO. ALGUNOS ESTADOS DE LOS EE.UU. Y ALGUNAS PROVINCIAS CANADIENSES NO PERMITEN LA EXCLUSIÓN O LIMITACIÓN DE LOS DAÑOS INCIDENTALES O EMERGENTES, POR LO QUE ES POSIBLE QUE LA LIMITACIÓN O EXCLUSIÓN ANTERIOR NO SEA APLICABLE EN EL CASO DE USTED.

ESTA GARANTÍA LIMITADA LE CONFIERE A USTED DERECHOS LEGALES ESPECÍFICOS Y ES POSIBLE QUE USTED TAMBIÉN TENGA OTROS DERECHOS QUE VARIAN DE ESTADO A ESTADO EN LOS EE.UU., DE PROVINCIA A PROVINCIA EN CANADÁ Y DE PAÍS EN PAÍS.

ESTA GARANTÍA LIMITADA SE APLICA SÓLO A LOS PRODUCTOS VENDIDOS EN LOS ESTADOS UNIDOS DE AMÉRICA, CANADÁ Y EL ESTADO LIBRE ASOCIADO DE PUERTO RICO. PARA COBERTURA DE GARANTÍA EN OTROS PAÍSES, PÓNGASE EN CONTACTO CON SU DISTRIBUIDOR O IMPORTADOR LOCAL DE SKIL.

© Chervon North America, 1203E.Warrenville Rd, Naperville, IL 60563

