

SKIL®

Owner's Manual
Guide d'utilisation
Manual del propietario



Model/ Modelo/ Modèle: IW5744-00

PWRCORE 12™

12V Brushless Impact Wrench

Clé à chocs sans balai de 12 V

Llave de impacto sin escobillas de 12 V

▲ WARNING: To reduce the risk of injury, the user must read and understand the Owner's Manual before using this product. Save these instructions for future reference.

▲ AVERTISSEMENT : Afin de réduire les risques de blessure, l'utilisateur doit lire et comprendre le guide d'utilisation avant d'utiliser cet article. Conservez le présent guide afin de pouvoir le consulter ultérieurement.

▲ ADVERTENCIA : Para reducir el riesgo de lesiones, el usuario debe leer y comprender el Manual del operador antes de utilizar este producto. Guarde estas instrucciones para consultarlas en caso sea necesario.



For Customer Service
Pour le service à la clientèle
Servicio al cliente

1-877-SKIL-999 OR **www.skil.com**

TABLE OF CONTENTS

General Power Tool Safety Warnings	3-5
Safety Warnings for Impact Wrench	5
Symbols	6-9
Get to Know Your Impact Wrench	10
Specifications	10
Operating Instructions	11-15
Maintenance	16
Trouble Shooting	16
Limited Warranty of Skil Cordless Tool	17

WARNING

- Some dust created by power sanding, sawing, grinding, drilling and other construction activities contains chemicals known to the State of California to cause cancer, birth defects or other reproductive harm. Some examples of these chemicals are:
 - Lead from lead-based paints.
 - Crystalline silica from bricks, cement, and other masonry products.
 - Arsenic and chromium from chemically-treated lumber.
- Your risk from these exposures varies, depending upon how often you do this type of work. To reduce your exposure to these chemicals:
 - Work in a well-ventilated area.
 - Work with approved safety equipment, such as dust masks that are specially designed to filter out microscopic particles.
 - Avoid prolonged contact with dust from power sanding, sawing, grinding, drilling, and other construction activities. Wear protective clothing and wash exposed areas with soap and water. Allowing dust to get into your mouth or eyes or to lie on the skin may promote absorption of harmful chemicals.

General Power Tool Safety Warning



Read all safety warnings, instructions, illustrations and specifications provided with this power tool. Failure to follow all instructions listed below may result in electric shock, fire and/or serious injury.

SAVE ALL WARNINGS AND INSTRUCTIONS FOR FUTURE REFERENCE.

The term “power tool” in the warnings refers to your mains-operated (corded) power tool or battery-operated (cordless) power tool.

Work area safety

Keep work area clean and well lit. Cluttered or dark areas invite accidents.

Do not operate power tools in explosive atmospheres, such as in the presence of flammable liquids, gases or dust. Power tools create sparks which may ignite the dust or fumes.

Keep children and bystanders away while operating a power tool. Distractions can cause you to lose control.

Electrical safety

Power tool plugs must match the outlet. Never modify the plug in any way. Do not use any adapter plugs with earthed (grounded) power tools. Unmodified plugs and matching outlets will reduce risk of electric shock.

Avoid body contact with earthed or grounded surfaces, such as pipes, radiators, ranges and refrigerators. There is an increased risk of electric shock if your body is earthed or grounded.

Do not expose power tools to rain or wet conditions. Water entering a power tool will increase the risk of electric shock.

Do not abuse the cord. Never use the cord for carrying, pulling or unplugging the power tool. Keep cord away from heat, oil, sharp edges or moving parts. Damaged or entangled cords increase the risk of electric shock.

When operating a power tool outdoors, use an extension cord suitable for outdoor use. Use of a cord suitable for outdoor use reduces the risk of electric shock.

If operating a power tool in a damp location is unavoidable, use a ground fault circuit interrupter (GFCI) protected supply. Use of a GFCI reduces the risk of electric shock.

Personal safety

Stay alert, watch what you are doing and use common sense when operating a power tool. Do not use a power tool while you are tired or under the influence of drugs, alcohol or medication. A moment of inattention while operating power tools may result in serious personal injury.

Use personal protective equipment. Always wear eye protection. Protective equipment such as a dust mask, non-skid safety shoes, hard hat or hearing protection used for appropriate conditions will reduce personal injuries.

Prevent unintentional starting. Ensure the switch is in the off-position before connecting to power source and/or battery pack, picking up or carrying the tool. Carrying power tools with your finger on the switch or energising power tools that have the switch on invites accidents.

Remove any adjusting key or wrench before turning the power tool on. A wrench or a key left attached to a rotating part of the power tool may result in personal injury.

Do not overreach. Keep proper footing and balance at all times. This enables better control of the power tool in unexpected situations.

Dress properly. Do not wear loose clothing or jewellery. Keep your hair and clothing away from moving parts. Loose clothes, jewellery or long hair can be caught in moving parts.

If devices are provided for the connection of dust extraction and collection facilities, ensure these are connected and properly used. Use of dust collection can reduce dust-related hazards.

Do not let familiarity gained from frequent use of tools allow you to become complacent and ignore tool safety principles. A careless action can cause severe injury within a fraction of a second.

Power tool use and care

Do not force the power tool. Use the correct power tool for your application. The correct power tool will do the job better and safer at the rate for which it was designed.

Do not use the power tool if the switch does not turn it on and off. Any power tool that cannot be controlled with the switch is dangerous and must be repaired.

Disconnect the plug from the power source and/or remove the battery pack, if detachable, from the power tool before making any adjustments, changing accessories, or storing power tools. Such preventive safety measures reduce the risk of starting the power tool accidentally.

Store idle power tools out of the reach of children and do not allow persons unfamiliar with the power tool or these instructions to operate the power tool. Power tools are dangerous in the hands of untrained users.

Maintain power tools and accessories. Check for misalignment or binding of moving parts, breakage of parts and any other condition that may affect the power tool's operation. If damaged, have the power tool repaired before use. Many accidents are caused by poorly maintained power tools.

Keep cutting tools sharp and clean. Properly maintained cutting tools with sharp cutting edges are less likely to bind and are easier to control.

Use the power tool, accessories and tool bits etc. in accordance with these instructions, taking into account the working conditions and the work to be performed. Use of the power tool for operations different from those intended could result in a hazardous situation.

Keep handles and grasping surfaces dry, clean and free from oil and grease. Slippery handles and grasping surfaces do not allow for safe handling and control of the tool in unexpected situations.

Battery tool use and care

Recharge only with the charger specified by the manufacturer. A charger that is suitable for one type of battery pack may create a risk of fire when used with another battery pack.

Use power tools only with specifically designated battery packs. Use of any other battery packs may create a risk of injury and fire.

When battery pack is not in use, keep it away from other metal objects, like paper clips, coins, keys, nails, screws or other small metal objects, that can make a connection from one terminal to another. Shorting the battery terminals together may cause burns or a fire.

Under abusive conditions, liquid may be ejected from the battery; avoid contact. If contact accidentally occurs, flush with water. If liquid contacts eyes, additionally seek medical help. Liquid ejected from the battery may cause irritation or burns.

Do not use a battery pack or tool that is damaged or modified. Damaged or modified batteries may exhibit unpredictable behaviour resulting in fire, explosion or risk of injury.

Do not expose a battery pack or tool to fire or excessive temperature. Exposure to fire or temperature above 265 °F may cause explosion.

Follow all charging instructions and do not charge the battery pack or tool outside the temperature range specified in the instructions. Charging improperly or at temperatures outside the specified range may damage the battery and increase the risk of fire.

Service

Have your power tool serviced by a qualified repair person using only identical replacement parts. This will ensure that the safety of the power tool is maintained.

Never service damaged battery packs. Service of battery packs should only be performed by the manufacturer or authorized service providers.

SAFETY WARNINGS FOR IMPACT WRENCH





Hold the power tool by insulated gripping surfaces, when performing an operation where the fastener may contact hidden wiring. Fasteners contacting a “live” wire may make exposed metal parts of the power tool “live” and could give the operator an electric shock.

SYMBOLS

Safety Symbols

The purpose of safety symbols is to attract your attention to possible dangers. The safety symbols and the explanations with them deserve your careful attention and understanding. The symbol warnings do not, by themselves, eliminate any danger. The instructions and warnings they give are no substitutes for proper accident prevention measures.

⚠ WARNING Be sure to read and understand all safety instructions in this Owner's Manual, including all safety alert symbols such as “**DANGER**,” “**WARNING**,” and “**CAUTION**” before using this tool. Failure to following all instructions listed below may result in electric shock, fire, and/or serious personal injury.

The definitions below describe the level of severity for each signal word. Please read the manual and pay attention to these symbols.	
	This is the safety alert symbol. It is used to alert you to potential personal injury hazards. Obey all safety messages that follow this symbol to avoid possible injury or death.
	DANGER indicates a hazardous situation which, if not avoided, will result in death or serious injury.
	WARNING indicates a hazardous situation which, if not avoided, could result in death or serious injury.
	CAUTION, used with the safety alert symbol, indicates a hazardous situation which, if not avoided, will result in minor or moderate injury.

Damage Prevention and Information Messages

These inform the user of important information and/or instructions that could lead to equipment or other property damage if they are not followed. Each message is preceded by the word “NOTICE”, as in the example below:





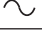



NOTICE: Equipment and/or property damage may result if these instructions are not followed.






⚠ WARNING The operation of any power tools can result in foreign objects being thrown into your eyes, which can result in severe eye damage. Before beginning power tool operation, always wear safety goggles or safety glasses with side shields and a full face shield when needed. We recommend a Wide Vision Safety Mask for use over eyeglasses or standard safety glasses with side shields. Always use eye protection which is marked to comply with ANSI Z87.1.

SYMBOLS (CONTINUED)



IMPORTANT: Some of the following symbols may be used on your tool. Please study them and learn their meaning. Proper interpretation of these symbols will allow you to operate the tool better and more safely.

Symbol	Name	Designation/Explanation
V	Volts	Voltage (potential)
A	Amperes	Current
Hz	Hertz	Frequency (cycles per second)
W	Watt	Power
kg	Kilograms	Weight
min	Minutes	Time
s	Seconds	Time
Wh	Watt-hours	Battery capacity
Ah	Ampere-Hours	Battery capacity
∅	Diameter	Size of drill bits, grinding wheels, etc.
n_0	No-load speed	Rotational speed, at no load
n	Rated speed	Maximum attainable speed
.../min	Revolutions or reciprocations per minute	Revolutions, strokes, surface speed, orbits, etc. per minute
0	Off position	Zero speed, zero torque...
1,2,3,... I,II,III,	Selector settings	Speed, torque or position settings. Higher number means greater speed
	Infinitely variable selector with off	Speed is increasing from 0 setting
	Arrow	Action in the direction of arrow
	Alternating current	Type or a characteristic of current
	Direct current	Type or a characteristic of current
	Alternating or direct current	Type or a characteristic of current
	Class II tool	Designates Double Insulated Construction tools.
	Earthing terminal	Grounding terminal
	Li-ion RBRC seal	Designates Li-ion battery recycling program

Symbol	Name	Designation/Explanation
	Ni-Cad RBRC seal	Designates Ni-Cad battery recycling program
	Read manual symbol	Alerts user to read manual
	Wear eye protection symbol	Always wear safety goggles or safety glasses with side shields and a full face shield when operating this product.

SYMBOLS (CERTIFICATION INFORMATION)

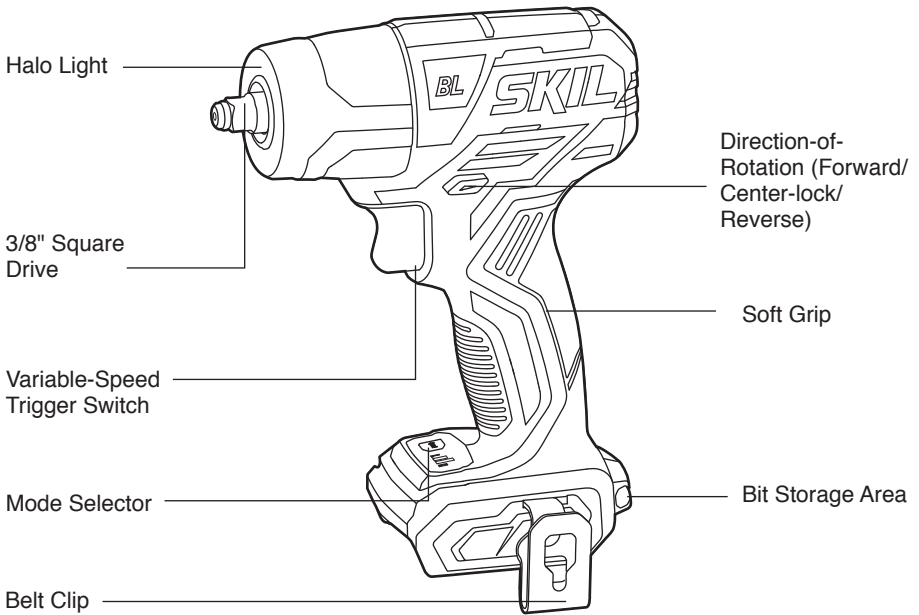
IMPORTANT: Some of the following symbols for certification information may be used on your tool. Please study them and learn their meaning. Proper interpretation of these symbols will allow you to operate the tool better and more safely.

Symbol	Designation/Explanation
	This symbol designates that this tool is listed by Underwriters Laboratories.
	This symbol designates that this tool is recognized by Underwriters Laboratories.
	This symbol designates that this tool is listed by Underwriters Laboratories, to United States and Canadian Standards.
	This symbol designates that this tool is listed by the Canadian Standards Association.
	This symbol designates that this tool is listed by the Canadian Standards Association, to United States and Canadian Standards.
	This symbol designates that this tool is listed by the Intertek Testing Services, to United States and Canadian Standards.
	This symbol designates that this tool complies to NOM Mexican Standards.

GET TO KNOW YOUR IMPACT WRENCH

12V Brushless Impact Wrench

Fig. 1



SPECIFICATIONS

Rated voltage	12V d.c.
Square drive	3/8" (9.5mm)
No-load speed	0-1900/0-2500 /min
Impacts per minute	0-2900/0-3400 /min
Recommended working temperature	14~104°F (-10~40°C)
Recommended storage temperature	32~104°F (0~40°C)

OPERATING INSTRUCTIONS

⚠ WARNING To reduce the risk of fire, personal injury, and product damage due to a short circuit, never immerse your tool, battery pack or charger in fluid or allow a fluid to flow inside them. Corrosive or conductive fluids, such as seawater, certain industrial chemicals, and bleach or bleach-containing products, etc., can cause a short circuit.

⚠ WARNING If any parts are damaged or missing, do not operate this product until the parts are replaced. Use of this product with damaged or missing parts could result in serious personal injury.

⚠ WARNING Do not attempt to modify this Impact wrench or create accessories not recommended for use with this Impact wrench. Any such alteration or modification is misuse and could result in a hazardous condition leading to possible serious injury.

⚠ WARNING To prevent accidental starting that could cause serious personal injury, always remove the battery pack from the Impact wrench when assembling parts, making adjustments, cleaning, or performing maintenance.

This cordless impact wrench must be used only with the battery packs and chargers listed below:

Battery Pack		Charger
2Ah	4Ah	
SKIL BY500101 SKIL BY519901	SKIL BY519801	SKIL QC535701 SKIL SC536501

NOTICE: Please refer to the battery and charger manual for detailed operating information.

To Attach/Detach Battery Pack (Fig.2)

Lock the trigger switch “OFF” on the tool by placing the direction-of-rotation (forward/center-lock/reverse) selector in the center position before attaching or detaching the battery pack.

To attach the battery pack:

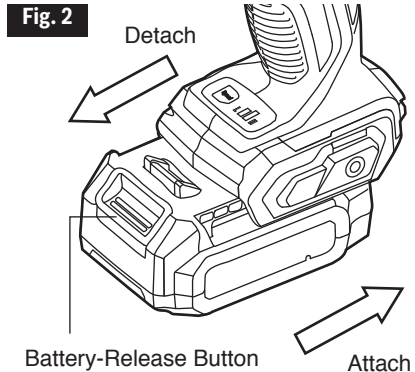
Align the raised rib on the battery pack with the grooves of the tool, and then slide the battery pack onto the tool.

NOTICE: When placing the battery pack in the tool, be sure that the raised rib on battery pack aligns with the groove inside the tool and that the latches snap into place properly. Improper attachment of the battery pack can cause damage to internal components.

⚠ WARNING Battery tools are always in operating condition. Therefore, the Direction-of-Rotation (forward/center-lock/reverse) Selector should always be locked in center position when not in use or carrying at your side.

To detach the battery pack:

Depress the battery-release button located on the front of the battery pack to release the battery pack. Pull the battery pack out and remove it from the tool.



Direction-of-Rotation (Forward/Center-Lock/Reverse) Selector

⚠ WARNING After tool use, lock the direction-of-rotation selector in the “OFF” position (center-lock) to help prevent accidental starts and injury.

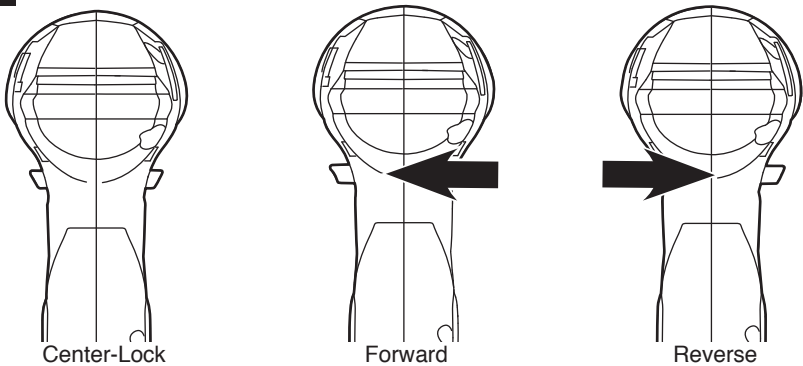
Your tool is equipped with a direction-of-rotation selector located above the trigger switch. This selector is designed for changing the direction of rotation of the bit and for locking the trigger in the “OFF” (center-lock) position.

- Position the direction-of-rotation selector to the far left of the tool for forward rotation.
- Position the direction-of-rotation selector to the far right of the tool for reverse rotation.
- Setting the switch in “OFF” (center-lock) position helps to reduce the possibility of accidental starting when not in use (Fig. 3).

NOTICE: To prevent gear damage, always allow the impact wrench to come to a complete stop before changing the direction of rotation.

NOTICE: The impact wrench will not run unless the direction-of-rotation selector is engaged fully to the left or right.

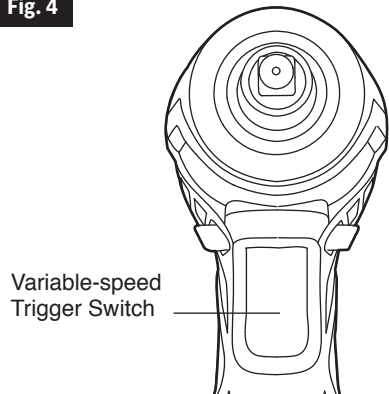
Fig. 3



Variable-Speed Trigger Switch

Your tool is equipped with a variable-speed trigger switch. The tool can be turned “ON” or “OFF” by depressing or releasing the trigger. The variable-speed trigger switch delivers higher speed with increased trigger pressure and lower speed with decreased trigger pressure (Fig. 4).

Fig. 4



Halo Light (Fig.5)

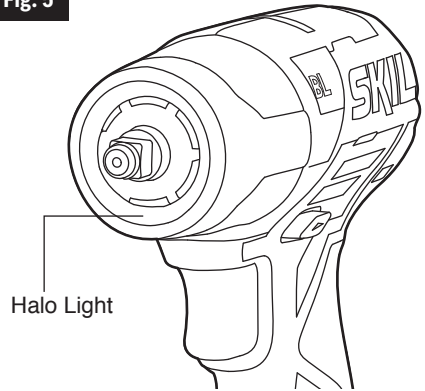
Your tool is equipped with a halo light, located on the head of the tool; this provides additional light without shadows on the surface of the work piece for operation in lower-light areas.

The halo light will automatically turn on with a slight squeeze on the variable-speed trigger switch before the tool starts running and will turn off approximately 10 seconds after the variable-speed trigger switch is released.

When the tool and/or battery pack becomes overloaded or too hot, the internal sensors will turn the tool off and the halo light will flash rapidly. Rest the tool for a while or place the tool and battery pack separately under air flow to cool.

The halo light will flash more slowly to indicate that the battery is at low-battery capacity; recharge the battery pack.

Fig. 5



Mode Selector (Fig.6)

Your tool is equipped with a speed-adjusting interface to provide speed adjustment for 2 modes (low/high).

When the trigger is squeezed slightly, the mode indicator will automatically shine green.

Depress the mode selector to adjust the speed mode (Fig. 6).

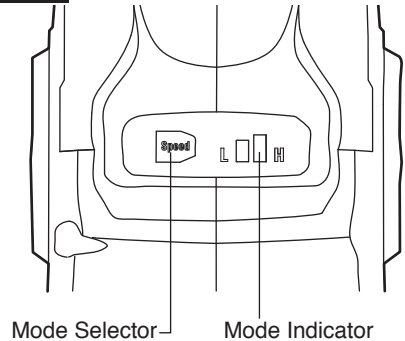
One indicator light shines for "L" to indicate "low-speed mode".

Both indicator lights shine for "H" to indicate "high-speed mode".

The speed mode will be stored and applied in the next operation when the tool is turned on again or when the direction of rotation has been changed. Reset the speed modes as desired.

NOTICE: To prevent gear damage, always allow the impact wrench to come to a complete stop before changing between high speed and low speed. The speed mode can only be changed when the mode-indicator light is on and the trigger switch is not depressed. The mode selector cannot be activated when the motor is running. The mode-indicator light will turn off automatically in about one minute after operation ceases.

Fig. 6



Removable Belt Clip (Fig.7)

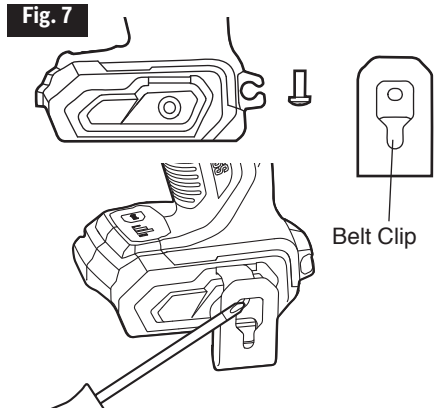
Your tool is equipped with removable belt clip, which can be positioned on the left side of the tool for convenient transport.

Install the belt clip onto the tool:

- Remove the battery pack from the tool.
- Align the rib of the belt clip with the threaded hole on the base of the tool.
- Insert the screw and securely tighten the screw with a screwdriver.

Remove the belt clip from the tool:

- Remove the battery pack from the tool.
- Use a screwdriver to loosen the screw that attaches the belt clip to the impact wrench.
- Remove the screw and the belt clip.



Install and Remove the Impact Socket (Fig.8)

Lock the trigger switch "OFF" by placing the direction-of-rotation selector in the center position.

CAUTION Make sure that the impact socket and the mounting portion are not damaged before installing the impact socket.

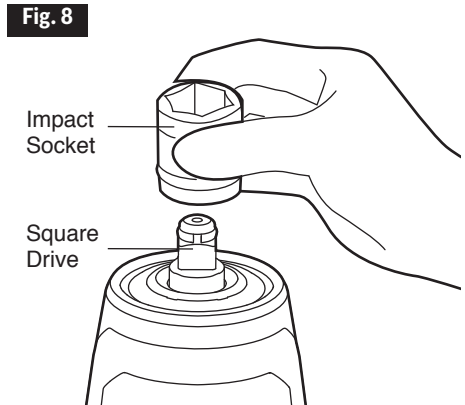
To install the Impact Socket:

- Align the square of the impact socket with the square drive and push the impact socket onto the square drive until it locks into place.
- Tap it lightly if required.

Remove the Impact Socket:

To remove the impact socket, simply pull it off.

WARNING Use protective gloves when removing the impact socket from the tool, or first allow the impact socket to cool down. The impact socket may be hot after prolonged use.



Tighten and loosen nuts and bolts

Variable-speed control must be used with caution for driving nuts and bolts with socket-set attachments. The technique is to start slowly, increasing speed as the nut or bolt runs down. Set the nut or bolt snugly by slowing the tool to a stop. If this procedure is not followed, the tool will have a tendency to torque or twist in your hands when the nut or bolt seats.

- a. Select hex socket that matches the nut or bolt. Then mount the socket on the square drive and grip the nut or bolt to be tightened with the hex socket.
- b. Hold the tool firmly and apply just enough pressure to keep the socket engaged on the nut or bolt. Then press the trigger switch to impact the nut or bolt for several seconds.

NOTICE: Always use the correct size impact socket for bolts and nuts. An incorrect size impact socket will result in inaccurate and inconsistent fastening torque and/or damage to the bolt or nut.



Do not over-tighten, as the force of the impact tool can break the fastener. Hold the tool vertical with the bolt or nut, otherwise the head of the bolt or nut will be damaged.

MAINTENANCE

⚠ WARNING To avoid serious personal injury, always remove the battery pack from the tool when cleaning or performing any maintenance.

Service

⚠ WARNING Preventive maintenance performed by unauthorized personnel may result in misplacing of internal wires and components which could cause serious hazard. We recommend that all tool service be performed by a SKIL Factory Service Center or Authorized SKIL Service Station.

General Maintenance

⚠ WARNING When servicing, use only identical replacement parts. Use of any other parts could create a hazard or cause product damage.

NOTE: Periodically inspect the entire product for damaged, missing, or loose parts such as screws, nuts, bolts, caps, etc. Tighten securely all fasteners and caps and do not operate this product until all missing or damaged parts are replaced. Please contact customer service or an authorized service center for assistance.

Cleaning

⚠ WARNING The tool may be cleaned most effectively with compressed dry air. **Always wear safety goggles when cleaning tools with compressed air.**

Ventilation openings and switch levers must be kept clean and free of foreign matter. Do not attempt to clean by inserting pointed objects through openings.

⚠ WARNING **Certain cleaning agents and solvents damage plastic parts.** Some of these are: gasoline, carbon tetrachloride, chlorinated cleaning solvents, ammonia and house hold detergents that contain ammonia.

Storage

Store the tool indoors in a place that is inaccessible to children. Keep away from corrosive agents.

TROUBLE SHOOTING

Problem	Cause	Remedy
Tool will not start.	<ol style="list-style-type: none">1. Battery pack is depleted.2. Tool is over-loaded.3. Battery pack is over temperature.4. Battery pack is not installed properly.5. Damaged switch.	<ol style="list-style-type: none">1. Charge the battery.2. Release the variable-speed trigger switch and try again.3. Turn off the impact wrench and cool the battery pack under air flow.4. Confirm that the battery is locked and secured to the tool.5. Have the switch replaced by an Authorized SKIL Service Center or Service Station.
Halo light rapidly flashes.	<ol style="list-style-type: none">1. Tool is over-loaded.2. Tool is over-temperature.	<ol style="list-style-type: none">1. Release the trigger switch.2. Cool the tool under air flow.

LIMITED WARRANTY FOR SKIL CORDLESS TOOL

5 YEARS LIMITED WARRANTY

Chervon North America, Inc. ("Seller") warrants to the original purchaser only, that all SKIL consumer POWER TOOLS will be free from defects in material or workmanship for a period of five years from date of purchase, if original purchaser registers the product within 30 days from purchase. BATTERIES AND CHARGERS are warranted for 2 years. Product registration can be completed online at www.Registermyskil.com. Original purchasers should also retain their receipt as proof of purchase. THE FIVE-YEAR WARRANTY PERIOD FOR POWER TOOLS IS CONDITIONED ON REGISTRATION OF THE PRODUCT WITHIN 30 DAYS OF PURCHASE. If original purchasers do not register their product timely, the foregoing limited warranty will apply for a duration of three years for power tools. All batteries and chargers will remain under the two-year limited warranty.

Notwithstanding the foregoing, if a SKIL consumer portable power tool is used for industrial, professional or commercial purposes, the foregoing warranty will apply for a duration of ninety days, regardless of registration.

SELLER'S SOLE OBLIGATION AND YOUR EXCLUSIVE REMEDY under this Limited Warranty and, to the extent permitted by law, any warranty or condition implied by law, shall be the repair or replacement of parts, without charge, which are defective in material or workmanship and which have not been misused, carelessly handled, or repaired by persons other than Seller or Authorized Service Station. To make a claim under this Limited Warranty, you must return the complete product, transportation prepaid, to any SKIL Factory Service Center or Authorized Service Station. For Authorized SKIL Power Tool Service Stations, please visit www.Registermyskil.com or call 1-877-SKIL-999 (1-877-754-5999).

THIS LIMITED WARRANTY DOES NOT APPLY TO ACCESSORY ITEMS SUCH AS CIRCULAR SAW BLADES, DRILL BITS, ROUTER BITS, JIGSAW BLADES, SANDING BELTS, GRINDING WHEELS AND OTHER RELATED ITEMS.

ANY IMPLIED WARRANTIES APPLICABLE TO A PRODUCT SHALL BE LIMITED IN DURATION EQUAL TO THE DURATION OF THE EXPRESS WARRANTIES APPLICABLE TO SUCH PRODUCT, AS SET FORTH IN THE FIRST PARAGRAPH ABOVE. SOME STATES IN THE U.S., SOME CANADIAN PROVINCES DO NOT ALLOW LIMITATIONS ON HOW LONG AN IMPLIED WARRANTY LASTS, SO THE ABOVE LIMITATION MAY NOT APPLY TO YOU.

IN NO EVENT SHALL SELLER BE LIABLE FOR ANY INCIDENTAL OR CONSEQUENTIAL DAMAGES (INCLUDING BUT NOT LIMITED TO LIABILITY FOR LOSS OF PROFITS) ARISING FROM THE SALE OR USE OF THIS PRODUCT. SOME STATES IN THE U.S. AND SOME CANADIAN PROVINCES DO NOT ALLOW THE EXCLUSION OR LIMITATION OF INCIDENTAL OR CONSEQUENTIAL DAMAGES, SO THE ABOVE LIMITATION OR EXCLUSION MAY NOT APPLY TO YOU.

THIS LIMITED WARRANTY GIVES YOU SPECIFIC LEGAL RIGHTS, AND YOU MAY ALSO HAVE OTHER RIGHTS WHICH VARY FROM STATE TO STATE IN THE U.S., PROVINCE TO PROVINCE IN CANADA AND FROM COUNTRY TO COUNTRY.

THIS LIMITED WARRANTY APPLIES ONLY TO PRODUCTS SOLD WITHIN THE UNITED STATES OF AMERICA, CANADA AND THE COMMONWEALTH OF PUERTO RICO. FOR WARRANTY COVERAGE WITHIN OTHER COUNTRIES, CONTACT YOUR LOCAL SKIL DEALER OR IMPORTER.

TABLE DES MATIÈRES

Avertissements de sécurité généraux relatifs aux outils électriques	19-21
Avertissements relatifs à la sécurité pour les clés à chocs	21
Symboles	22-25
Familiarisez-vous avec votre clé à chocs	26
Caractéristiques techniques	26
Mode d'emploi	27-31
Entretien	32
Recherche de la cause des problèmes	33
Garantie limitée de l'outil sans fil SKIL	34-35

⚠ AVERTISSEMENT

- La poussière créée pendant le ponçage, le sciage, le polissage, le perçage et d'autres activités liées à la construction peut contenir des produits chimiques reconnus par l'État de la Californie comme étant la cause de cancers, d'anomalies congénitales et d'autres problèmes liés aux fonctions reproductrices. Voici des exemples de ces produits chimiques :
 - Plomb provenant de peintures à base de plomb.
 - Silice cristallisée contenue dans les briques, le ciment et d'autres produits de maçonnerie.
 - Arsenic et chrome contenus dans le bois d'œuvre traité avec des produits chimiques.
- Les risques liés à l'exposition à ces produits varient selon le nombre de fois où vous pratiquez ces activités. Pour réduire votre exposition à ces produits chimiques :
 - travaillez dans un endroit bien ventilé;
 - munissez-vous de l'équipement de sécurité approuvé tel que des masques antipoussières conçus spécialement pour filtrer les particules microscopiques;
 - évitez l'exposition prolongée à la poussière causée par le ponçage mécanique, le sciage, le polissage, le perçage et d'autres activités liées à la construction. Portez un équipement de protection et lavez à l'eau et au savon toutes les parties exposées. Les poussières pénétrant dans votre bouche ou dans vos yeux et les poussières se déposant sur votre peau peuvent causer l'absorption de produits chimiques dangereux.

AVERTISSEMENTS DE SÉCURITÉ GÉNÉRAUX RELATIFS AUX OUTILS ÉLECTRIQUES

⚠ AVERTISSEMENT Lisez tous les avertissements et toutes les instructions, illustrations et spécifications fournis avec cet outil électrique. Le non-respect des consignes de sécurité ci-dessous peut occasionner un choc électrique, un incendie ou des blessures graves.

CONSERVEZ TOUS LES AVERTISSEMENTS ET TOUTES LES INSTRUCTIONS AFIN DE POUVOIR LES CONSULTER ULTÉRIEUREMENT.

L'expression « outil électrique » utilisée dans les avertissements correspond aux outils électriques alimentés sur secteur (à fil) ou alimentés par piles (sans fil).

Mesures de sécurité dans l'aire de travail

Maintenez l'aire de travail propre et bien éclairée. Les aires de travail sombres et encombrées sont propices aux accidents.

N'utilisez pas d'outils électriques dans un endroit présentant un risque d'explosion, par exemple en présence de liquides, de gaz ou de poussières inflammables. Les outils électriques produisent des étincelles pouvant causer un incendie en raison de la poussière et des fumées.

Gardez les enfants et les autres personnes à l'écart lorsque vous utilisez un outil électrique. Une distraction peut vous faire perdre la maîtrise de l'outil.

Consignes de sécurité relatives à l'électricité

Les fiches des outils électriques doivent correspondre à la prise. Ne modifiez jamais la fiche de quelque façon que ce soit. N'utilisez pas d'adaptateur avec les outils électriques mis à la terre. L'utilisation de fiches non modifiées dans les prises compatibles réduit les risques de choc électrique.

Évitez de toucher à des surfaces mises à la terre, par exemple, un tuyau, un radiateur, une cuisinière ou un réfrigérateur. Le contact du corps avec une surface mise à la terre augmente les risques de choc électrique.

N'exposez pas les outils électriques à la pluie ni à tout environnement humide. L'infiltration d'eau dans un outil électrique augmente les risques de choc électrique.

N'utilisez pas le cordon d'alimentation de façon à l'endommager. Ne transportez jamais un outil électrique en le tenant par son cordon, et ne tirez jamais sur le cordon pour le débrancher. Tenez le cordon d'alimentation éloigné des sources de chaleur, de l'huile, des objets coupants et des pièces mobiles. Les risques de choc électrique sont plus élevés si le cordon d'alimentation est endommagé ou emmêlé.

Lorsque vous utilisez un outil électrique à l'extérieur, utilisez une rallonge conçue pour être utilisée à l'extérieur. Ce type de rallonge réduit les risques de choc électrique.

Si vous n'avez d'autre choix que d'utiliser un outil électrique dans un endroit humide, utilisez une alimentation protégée par un disjoncteur différentiel. L'utilisation d'un disjoncteur différentiel réduit les risques de choc électrique.

Sécurité personnelle

Soyez vigilant, prêtez attention à ce que vous faites et usez de votre jugement lorsque vous utilisez un outil électrique. N'utilisez pas un outil électrique lorsque vous êtes fatigué ou sous l'effet de drogues, d'alcool ou de médicaments. Un moment d'inattention lorsque vous utilisez des outils électriques peut occasionner des blessures graves.

Utilisez un équipement individuel de protection. Portez toujours des lunettes de sécurité. Le port d'équipement de protection, comme un masque antipoussières, des chaussures de sécurité antidérapantes, un casque de protection et des protecteurs auditifs, lorsque les conditions l'exigent, réduit les risques de blessures.

Prenez des mesures afin d'éviter que l'outil se mette en marche accidentellement. Assurez-vous que l'interrupteur est à la position d'arrêt avant de brancher l'outil sur une source d'alimentation ou un bloc-piles, de ramasser l'outil ou de le transporter. Transporter les outils électriques avec le doigt sur la gâchette ou brancher les outils lorsque l'interrupteur est à la position de marche augmente les risques d'accident.

Retirez toutes les clés de réglage de l'outil électrique avant de mettre celui-ci en marche. Une clé de réglage oubliée sur une pièce rotative de l'outil électrique peut occasionner des blessures graves.

Ne vous étirez pas pour étendre votre portée. Gardez une posture sécuritaire et un bon équilibre en tout temps. Cela vous permet de mieux maîtriser l'outil électrique lorsque des situations inattendues se présentent.

Habillez-vous convenablement. Ne portez pas de vêtements amples ni de bijoux. Gardez vos cheveux, vos vêtements et vos gants loin des pièces mobiles. Les vêtements amples, les bijoux et les cheveux longs risquent de se prendre dans les pièces en mouvement.

Si un dispositif permet de raccorder un dé-poussièreur, assurez-vous que celui-ci est branché et utilisé correctement. L'emploi d'un dépoussièreur contribue à réduire les dangers liés à la poussière.

Restez toujours sur vos gardes et suivez les principes de sécurité des outils, même s'il s'agit d'un outil que vous utilisez fréquemment. Il suffit d'être négligent une fraction de seconde pour se blesser gravement.

Utilisation et entretien d'un outil électrique

Ne forcez pas l'outil électrique. Utilisez l'outil électrique approprié à la tâche que vous sou-haitez accomplir. L'utilisation de l'outil électrique approprié permet d'obtenir de meilleurs résultats, de façon plus sécuritaire, selon le régime de fonctionnement prévu.

N'utilisez pas l'outil électrique si l'interrupteur ne fonctionne pas. Tout outil électrique qui ne peut être commandé au moyen de l'interrupteur est dangereux et doit être réparé.

Débranchez la fiche de la prise ou retirez, si possible, le bloc-piles de l'outil électrique avant d'effectuer des réglages, de changer d'accessoire ou de le ranger. Ces mesures de sécurité pré-ventives réduisent les risques de mise en marche accidentelle de l'outil électrique.

Rangez les outils électriques inutilisés hors de la portée des enfants et ne laissez pas les personnes ne connaissant pas bien l'outil ou ces instructions utiliser l'outil. Les outils électriques sont dangereux s'ils se retrouvent entre les mains d'utilisateurs qui ne savent pas s'en servir.

Entretenez vos outils électriques et vos accessoires. Vérifiez les pièces mobiles pour vous assurer qu'elles ne sont pas désalignées, en-rayées, brisées, ou dans un état qui pourrait nuire à leur fonctionnement. Si l'outil électrique est endommagé, faites-le réparer avant de l'utiliser. De nombreux accidents sont provoqués par des outils électriques mal entretenus.

Gardez vos outils tranchants affûtés et propres. Des outils tranchants bien entretenus dont les lames sont affûtées risquent moins de se bloquer et sont plus faciles à maîtriser.

Utilisez l'outil électrique, les accessoires, les embouts et les autres éléments conformément aux présentes instructions, en tenant compte des conditions de travail et du travail à effectuer. L'utilisation de l'outil électrique à des fins autres que celles pour lesquelles il a été conçu pourrait créer une situation dangereuse.

Gardez les poignées et les prises sèches, propres et exemptes d'huile et de graisse. Les poignées et autres surfaces de préhension glissantes ne permettent pas de manipuler ni de contrôler l'outil de façon sécuritaire en cas de situations inattendues.

Utilisation et entretien d'un outil alimenté par un bloc-piles

Rechargez uniquement le bloc-piles à l'aide du chargeur approuvé par le fabricant. Un chargeur conçu pour un type de bloc-piles peut causer un incendie s'il est utilisé avec un autre bloc-piles.

Utilisez les outils électriques uniquement avec les blocs-piles qui leur sont destinés. L'utilisation de tout autre bloc-piles peut constituer un risque de blessure et d'incendie.

Lorsque vous n'utilisez pas le bloc-piles, conservez-le à l'écart d'autres objets métalliques, comme des trombones, des pièces de monnaie, des clés, des clous, des vis et d'autres petits objets métalliques qui peuvent connecter une borne à une autre. Un court-circuit entre les bornes du bloc-piles peut occasionner des brûlures et un incendie.

En cas d'usage abusif, du liquide peut s'échapper des piles; évitez tout contact avec celui-ci. En cas de contact accidentel, rincez à grande eau. En cas de contact avec les yeux, consultez un mé-decin. Le liquide provenant des piles peut causer de l'irritation ou des brûlures.

N'utilisez pas un bloc-piles ou un outil endommagé ou modifié. Les blocs-piles modifiés ou endommagés peuvent fonctionner de façon imprévisible et représenter un risque d'incendie, d'explosion ou de blessures.

N'exposez pas un bloc-piles ou un outil à un feu ou à une température excessive. L'exposition au feu ou à une température supérieure à 129,4 °C peut provoquer une explosion.

Suivez toutes les instructions pour le charge-ment et ne chargez pas le bloc-piles ou l'appareil en dehors de la plage de température spécifiée dans les instructions. Une recharge inadéquate ou effectuée à des températures en dehors de la plage spécifiée peut endommager le bloc-piles et augmenter le risque d'incendie.

Entretien

Demandez à un technicien qualifié qui utilise seulement des pièces de rechange identiques aux pièces d'origine d'effectuer l'entretien de votre outil électrique. Vous vous assurerez ainsi de respecter les consignes de sécurité de l'outil électrique.

Ne réparez jamais un bloc-piles endommagé. Seuls le fabricant et les fournisseurs de services autorisés peuvent effectuer la réparation d'un bloc-piles.

AVERTISSEMENTS RELATIFS À LA SÉCURITÉ POUR LES CLÉS À CHOCS





Tenez l'outil électrique par ses surfaces de préhension isolées lorsque vous effectuez une opération dans le cadre de laquelle l'élément de fixation risque d'entrer en contact avec un fil caché. L'entrée en contact des éléments de fixation avec un fil sous tension pourrait rendre conductrices des parties en métal exposées de l'outil électrique et causer un choc électrique à l'opérateur.

SYMBOLES

Symboles de sécurité

L'objectif des symboles de sécurité est d'attirer votre attention sur les dangers potentiels. Vous devez examiner attentivement et bien comprendre les symboles de sécurité et les explications qui les accompagnent. Les symboles d'avertissement en tant que tels n'éliminent pas le danger. Les consignes et les avertissements qui y sont associés ne remplacent en aucun cas des mesures préventives adéquates.

⚠ AVERTISSEMENT Avant d'utiliser cet outil, assurez-vous de lire et de comprendre toutes les consignes de sécurité présentées dans le présent guide d'utilisation, notamment toutes les consignes de sécurité indiquées par les mentions « **DANGER** », « **AVERTISSEMENT** » et « **MISE EN GARDE** ». Le non-respect des consignes qui suivent peut entraîner un choc électrique, un incendie ou des blessures graves.

Les définitions ci-dessous décrivent le degré de gravité pour chaque mot-indicateur. Veuillez lire ce manuel et prêter attention à ces symboles.	
	Voici le pictogramme d'alerte de sécurité. Il sert à vous indiquer les risques potentiels de blessures. Respectez toutes les consignes de sécurité associées à ce pictogramme pour éviter les risques de blessures ou de mort.
	La mention DANGER indique un danger imminent qui, s'il n'est pas évité, causera des blessures graves ou la mort.
	La mention AVERTISSEMENT indique un risque pouvant entraîner des blessures graves ou la mort s'il n'est pas prévenu.
	La mention MISE EN GARDE, utilisée avec le symbole d'alerte de sécurité, indique un risque potentiel qui, s'il n'est pas éliminé, provoquera des blessures mineures ou moyennement graves.

Messages d'information et de prévention des dommages

Ces messages fournissent à l'utilisateur de l'information et des consignes importantes. Les ignorer pourrait occasionner des dommages à l'équipement ou d'autres dommages matériels. Chaque message est précédé du mot « AVIS », comme dans l'exemple ci-dessous :








AVIS : Ne pas suivre ces consignes pourrait occasionner des dommages à l'équipement ou d'autres dommages matériels.







⚠ AVERTISSEMENT L'utilisation de tout outil électrique peut entraîner la projection de corps étrangers dans les yeux et ainsi causer des lésions oculaires graves. Avant d'utiliser un outil électrique, veuillez à toujours porter des lunettes de sécurité étanches ou à écrans latéraux, ou un masque de protection complet au besoin. Nous recommandons le port d'un masque de sécurité panoramique par-dessus les lunettes ou de lunettes de sécurité standard avec écrans latéraux. Portez toujours des protecteurs oculaires conformes à la norme ANSI Z87.1.

SYMBOLES (SUITE)








IMPORTANT : Les symboles suivants peuvent figurer sur votre outil. Familiarisez-vous avec eux et apprenez leur signification. En comprenant ces symboles, vous serez en mesure de faire fonctionner cet outil de façon adéquate et sécuritaire.

Symbole	Nom	Forme au long et explication
V	Volts	Tension (possible)
A	Ampères	Courant
Hz	Hertz	Fréquence (cycles par seconde)
W	Watt	Puissance
kg	Kilogrammes	Poids
min	Minutes	Durée
s	Secondes	Durée
Wh	Watheures	Capacité de la pile
Ah	Ampères-heures	Capacité de la pile
∅	Diamètre	Taille des forets, des meules, etc.
n_0	Vitesse à vide	Vitesse de rotation à vide
n	Vitesse nominale	Vitesse maximale atteignable
.../min	Tours ou va-et-vient par minute	Tours, coups, vitesse périphérique, orbites, etc., par minute
0	Position d'arrêt	Vitesse nulle, couple nul...
1,2,3,... I,II,III,	Réglages du sélecteur	Réglages de la vitesse, du couple ou de la position. Plus le nombre est élevé, plus la vitesse est grande.
	Sélecteur à réglage continu avec mode d'arrêt	La vitesse augmente à partir du réglage 0
	Flèche	L'activation se fait dans le sens de la flèche
	Courant alternatif	Type de courant ou caractéristique de courant
	Courant continu	Type de courant ou caractéristique de courant
	Courant alternatif ou continu	Type de courant ou caractéristique de courant
	Outil de catégorie II	Désigne les outils de construction à double isolation
	Borne de mise à la terre	Borne de mise à la terre

Symbole	Nom	Forme au long et explication
	<p>Label du programme de recyclage des piles au lithium-ion de la RBRC</p>	<p>Désigne le programme de recyclage des piles au lithium-ion</p>
	<p>Label du programme de recyclage des piles au nickel-cadmium de la RBRC</p>	<p>Désigne le programme de recyclage des piles au nickel-cadmium</p>
	<p>Symbole de lecture du manuel</p>	<p>Invite l'utilisateur à lire le manuel</p>
	<p>Symbole du port de lunettes de sécurité</p>	<p>Lorsque vous utilisez ce produit, portez toujours des lunettes de protection ou de sécurité à écrans latéraux et un masque de protection complet.</p>

SYMBOLES (RENSEIGNEMENTS EN MATIÈRE D'HOMOLOGATION)

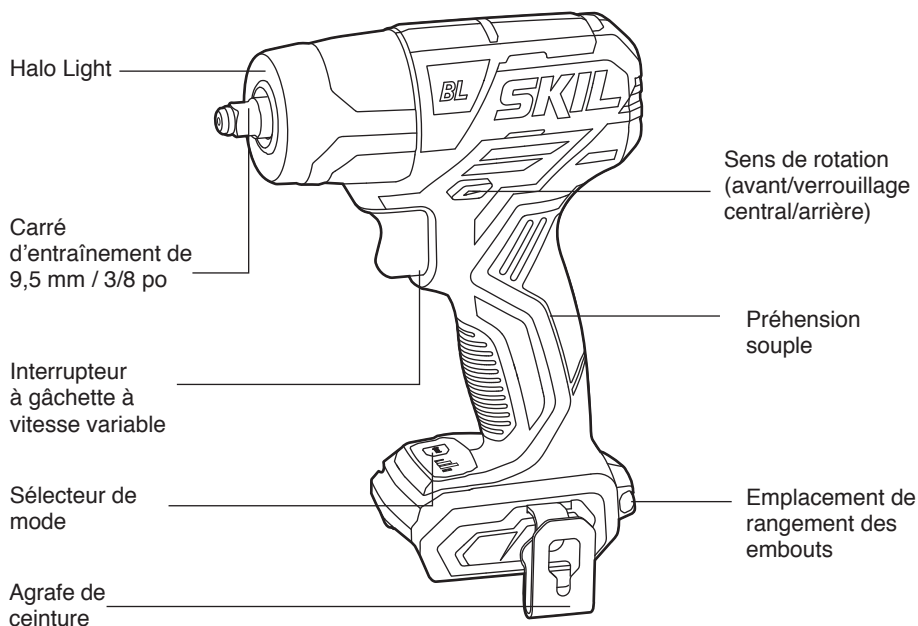
IMPORTANT : Certains des symboles suivants, qui fournissent des renseignements en matière d'homologation, peuvent figurer sur l'outil. Familiarisez-vous avec eux et apprenez leur signification. En comprenant ces symboles, vous serez en mesure de faire fonctionner cet outil de façon adéquate et sécuritaire.

Symbole	Forme au long et explication
	Ce symbole indique que cet outil est répertorié par Underwriters Laboratories.
	Ce symbole indique que cet outil est reconnu par Underwriters Laboratories.
	Ce symbole indique que cet outil est répertorié par Underwriters Laboratories et qu'il est conforme aux normes américaines et canadiennes.
	Ce symbole indique que cet outil est répertorié par l'Association canadienne de normalisation.
	Ce symbole indique que cet outil est répertorié par l'Association canadienne de normalisation et qu'il est conforme aux normes américaines et canadiennes.
	Ce symbole indique que cet outil est répertorié par Intertek Testing et qu'il est conforme aux normes américaines et canadiennes.
	Ce symbole indique que cet outil est conforme aux normes mexicaines officielles (NOM).

FAMILIARISEZ-VOUS AVEC VOTRE CLÉ À CHOCS

Clé à chocs sans balai de 12 V

Fig. 1



SPÉCIFICATIONS

Tension nominale	12 V c.c.
Carré d'entraînement	9.5 mm (3/8 po)
Vitesse à vide	0-1900/0-2500 /min
Impacts par minute	0-2900/0-3400 /min
Température de travail recommandée	de -10 °C à environ 40 °C (de 14 °F à environ 104 °F)
Température de stockage recommandée	de 0 °C à environ 40 °C (de 32 °F à environ 104 °F)

MODE D'EMPLOI

⚠ AVERTISSEMENT Pour réduire les risques d'incendie, de blessures et de dommages au produit causés par un court-circuit, ne plongez jamais l'outil, le bloc-piles ou le chargeur dans des liquides, ou ne laissez jamais un liquide s'écouler à l'intérieur de ces pièces. Les liquides corrosifs ou conducteurs, tels que l'eau de mer, certains produits chimiques industriels, ainsi que l'eau de javel ou les produits en contenant, etc. peuvent provoquer un court-circuit.

⚠ AVERTISSEMENT Si une quelconque pièce est endommagée ou manquante, ne mettez pas ce produit en marche jusqu'à ce que la pièce ait été remplacée. L'utilisation de ce produit avec des pièces endommagées ou manquantes pourrait entraîner des blessures graves.

⚠ AVERTISSEMENT Ne tentez pas de modifier cette clé à chocs ou de créer des accessoires qu'il n'est pas recommandé d'utiliser avec cette clé à chocs. Une telle altération ou modification constituerait une utilisation abusive et pourrait créer une situation dangereuse avec risque de blessures graves.

⚠ AVERTISSEMENT Pour éviter tout démarrage accidentel pouvant entraîner des blessures graves, retirez toujours le bloc-pile de la clé à chocs avant tout assemblage de pièces, réglage, nettoyage ou opération de maintenance.

Cette clé à chocs sans fil doit uniquement être utilisée avec les blocs-piles et les chargeurs énumérés ci-dessous :

Bloc-piles		Chargeur
2Ah	4Ah	
SKIL BY500101 SKIL BY519901	SKIL BY519801	SKIL QC535701 SKIL SC536501

AVIS : Veuillez-vous référer au mode d'emploi du bloc-piles et du chargeur pour obtenir des informations détaillées sur leur fonctionnement.

Pour attacher/détacher le bloc-piles (Fig. 2)

Verrouillez l'interrupteur à gâchette (« OFF ») sur l'outil en plaçant le sélecteur du sens de rotation (avant/verrouillage central/arrière) sur la position centrale avant d'attacher ou de détacher le bloc-piles.

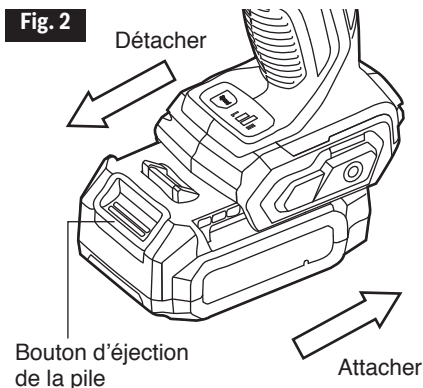
Pour attacher le bloc-piles : Alignez la nervure surélevée du bloc-piles sur les rainures de l'outil, puis faites glisser le bloc-piles sur l'outil.

AVIS : Lorsque vous placez le bloc-piles dans l'outil, assurez-vous que la nervure surélevée du bloc-piles soit alignée sur les rainures tracées dans l'outil et que les loquets s'enclenchent correctement. Une fixation incorrecte du bloc-piles peut causer des dommages aux composants internes.

⚠ AVERTISSEMENT Les outils alimentés par des piles sont toujours prêts à fonctionner. Par conséquent, le sélecteur du sens de rotation (avant/verrouillage central/arrière) doit toujours être placé sur la position de verrouillage central lorsque l'outil n'est pas utilisé ou lorsque vous le transportez à vos côtés.

Pour détacher le bloc-piles :

Appuyez sur le bouton d'éjection de la pile situé à l'avant du bloc-piles pour éjecter celui-ci. Tirez sur le bloc-piles pour le retirer de l'outil.



Sélecteur du sens de rotation (avant/verrouillage central/arrière)

⚠ AVERTISSEMENT Après chaque utilisation de l'outil, placez le sélecteur du sens de rotation sur la position de verrouillage central (« OFF ») pour aider éviter tout démarrage accidentel et risque de blessure.

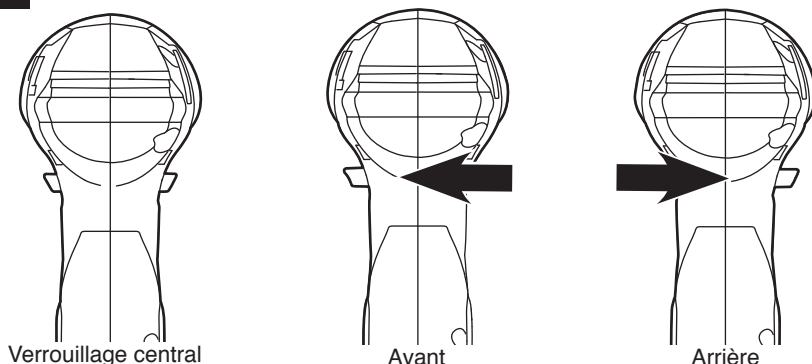
Votre outil est muni d'un sélecteur du sens de rotation qui se trouve au-dessus de l'interrupteur à gâchette. Ce sélecteur sert à changer le sens de la rotation de l'embout et à verrouiller la gâchette en position de verrouillage central (« OFF »).

- Poussez le sélecteur du sens de rotation à fond vers la gauche de l'outil pour une rotation vers l'avant.
- Poussez le sélecteur du sens de rotation à fond vers la droite de l'outil pour une rotation vers l'arrière.
- Placez le sélecteur sur la position de verrouillage central (« OFF ») pour minimiser le risque de démarrage accidentel lorsque vous n'utilisez pas l'outil (Fig. 3).

AVIS : Pour éviter d'endommager l'engrenage, attendez toujours que la clé à chocs s'arrête complètement avant de changer le sens de rotation.

AVIS : La clé à chocs ne fonctionnera pas si le sélecteur du sens de rotation n'est pas poussé à fond vers la gauche ou vers la droite.

Fig. 3

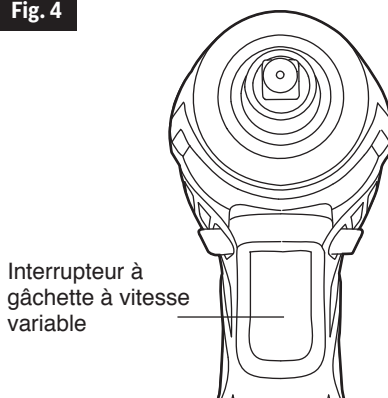


Interrupteur à gâchette à vitesse variable

Votre outil est muni d'un interrupteur à gâchette à vitesse variable. L'outil peut être mis en marche ou arrêté en appuyant sur la gâchette ou en la relâchant.

L'interrupteur à gâchette à vitesse variable permet d'accélérer la vitesse de rotation en augmentant la pression exercée sur la gâchette et de ralentir la vitesse de rotation en diminuant cette pression. (Fig. 4)

Fig. 4



Halo Light (Fig. 5)

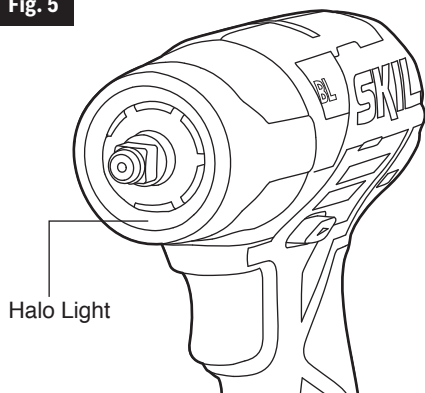
Votre outil est équipé du système Halo Light situé à l'avant de l'outil; ce système fournit un éclairage supplémentaire sans créer d'ombre sur la surface de travail lorsque vous devez opérer dans des zones faiblement éclairées.

Le système Halo Light s'allume automatiquement en appuyant légèrement sur l'interrupteur à gâchette à vitesse variable avant que l'outil ne commence à fonctionner et s'éteindra 10 secondes environ après le relâchement de l'interrupteur à gâchette à vitesse variable.

Si l'outil et/ou le bloc-piles sont surchargés ou trop chauds, les capteurs internes éteindront l'outil et le système Halo Light clignotera rapidement. Reposez l'outil pendant un moment, ou placez l'outil et le bloc-piles séparément sous un flux d'air pour les refroidir.

Le système Halo Light clignotera plus lentement pour indiquer que la capacité de la pile est faible ; rechargez le bloc-piles.

Fig. 5



Sélecteur de mode (Fig. 6)

Votre outil est muni d'une interface de réglage de la vitesse selon deux modes (faible/élevée).

En appuyant doucement sur la gâchette, l'indicateur de mode s'allumera automatiquement en vert.

Appuyez sur le sélecteur de mode pour régler le mode de vitesse (Fig. 6).

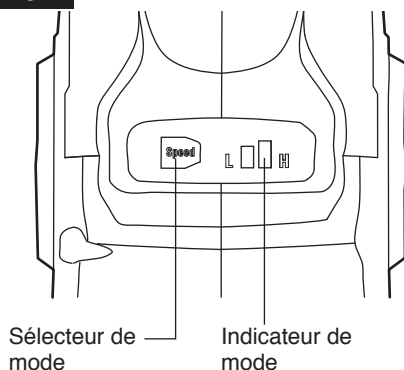
Un seul voyant lumineux s'allumera pour indiquer le mode « L » (de l'anglais « low », pour mode de basse vitesse).

Les deux voyants lumineux s'allumeront pour indiquer le mode « H » (de l'anglais « high » pour mode de vitesse élevée).

Le mode de vitesse sera gardé en mémoire et activé lors la prochaine utilisation de l'outil lorsque celui-ci sera à nouveau mis sous tension ou lorsque vous changerez le sens de rotation. Changez de mode de vitesse lorsque vous le souhaitez.

AVIS : Pour éviter d'endommager l'engrenage, attendez toujours que la clé à chocs s'arrête complètement avant de basculer entre les modes de vitesse élevée et de basse vitesse. Le mode de vitesse peut uniquement être changé lorsque le voyant lumineux d'indicateur de mode est allumé et lorsque l'interrupteur à gâchette n'est pas enfoncé. Le sélecteur de mode ne peut pas fonctionner lorsque le moteur est en marche. Le voyant lumineux d'indicateur de mode s'éteindra automatiquement une minute environ après que l'outil aura cessé de fonctionner.

Fig. 6



Agrafe de ceinture amovible (Fig. 7)

Votre outil est muni d'une agrafe de ceinture amovible qui peut être placée sur le côté gauche de l'outil afin de faciliter son transport.

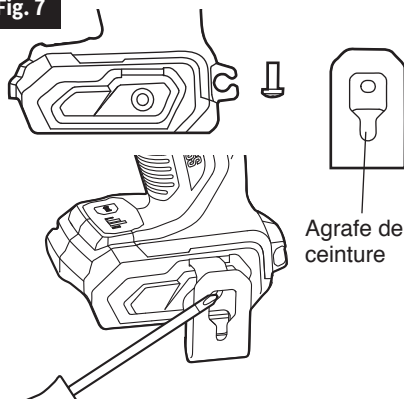
Pour installer l'agrafe de ceinture sur l'outil :

- Retirez le bloc-piles de l'outil.
- Alignez la nervure de l'agrafe de ceinture sur les orifices filetés situés sur la base de l'outil.
- Insérez la vis et vissez-la à fond à l'aide d'un tournevis.

Pour retirer l'agrafe de ceinture de l'outil :

- Retirez le bloc-piles de l'outil.
- Utilisez un tournevis pour dévisser la vis qui maintient l'agrafe de ceinture sur la clé à chocs.
- Retirez la vis et l'agrafe de ceinture.

Fig. 7



Installation et retrait de la douille pour clé à chocs (Fig. 8)

Verrouillez l'interrupteur à gâchette (« OFF ») en plaçant le sélecteur du sens de rotation sur la position centrale.

⚠ MISE EN GARDE Veillez à ce que la douille pour clé à chocs et le manchon de montage ne soient pas endommagés avant d'installer la douille pour clé à chocs.

Pour installer la douille pour clé à chocs :

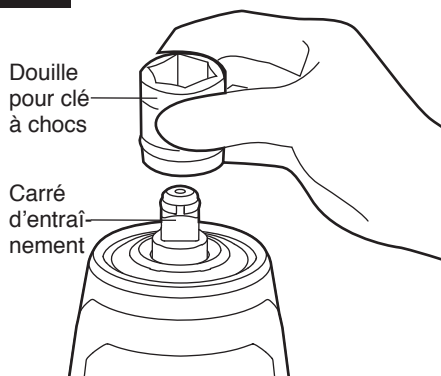
- Alignez la partie carrée de la douille pour clé à chocs sur le carré d'entraînement et poussez la douille pour clé à chocs sur le carré d'entraînement jusqu'à ce qu'elle s'enclenche dans la bonne position.
- Tapez doucement sur la douille si nécessaire.

Pour retirer la douille pour clé à chocs :

Pour retirer la douille pour clé à chocs, tirez simplement dessus.

⚠ AVERTISSEMENT Portez des gants de protection lors du retrait de la douille pour clé à chocs de l'outil ou laissez la douille refroidir avant de la retirer. La douille pour clé à chocs peut être très chaude après une utilisation prolongée.

Fig. 8



Serrage et desserrage des écrous et des boulons

Le contrôle de la vitesse variable doit être utilisé avec précaution lors du serrage des écrous et des boulons avec des attaches à jeux de douilles. La technique consiste à commencer lentement et à augmenter la vitesse dès que l'écrou ou le boulon commence à s'enfoncer. Positionnez l'écrou ou le boulon pour qu'ils soient bien en place en ralentissant l'outil progressivement jusqu'à l'arrêt. Si cette procédure n'est pas suivie, l'outil aura tendance à produire un couple élevé ou à se tordre entre vos mains lorsque l'écrou ou le boulon sera en position.

- a. Choisissez une douille hexagonale adaptée à l'écrou ou au boulon. Montez ensuite la douille sur le carré d'entraînement, et saisissez l'écrou ou le boulon à serrer avec la douille hexagonale.
- b. Maintenez l'outil fermement et appliquez juste assez de pression pour maintenir la douille engagée sur l'écrou ou le boulon. Appuyez ensuite sur l'interrupteur à gâchette pour produire un impact sur l'écrou ou le boulon pendant plusieurs secondes.

AVIS : Utilisez toujours une douille pour clé à chocs de la bonne dimension pour les écrous et les boulons. L'utilisation d'une douille pour clé à chocs d'une mauvaise dimension occasionnera un couple de serrage inexact et irrégulier, et/ou l'endommagement de l'écrou ou du boulon.

⚠ AVERTISSEMENT Ne serrez pas excessivement, car la force produite par l'outil à choc peut casser la fixation. Maintenez l'outil à la verticale de l'écrou ou du boulon pour éviter d'endommager la tête de l'écrou ou du boulon.

ENTRETIEN

⚠ AVERTISSEMENT

AVERTISSEMENT : Pour éviter des blessures graves, retirez toujours le bloc-piles avant de procéder à l'entretien ou au nettoyage de l'outil.

Entretien

⚠ AVERTISSEMENT

L'entretien préventif effectué par une personne non autorisée peut avoir comme résultat de déplacer les fils et les composants internes de l'outil, ce qui pourrait constituer un grave danger. Nous recommandons que tout entretien de l'outil soit effectué dans un centre de service de l'usine de SKIL ou dans un centre de service autorisé par SKIL.

Entretien général

⚠ AVERTISSEMENT

Lors de l'entretien, utilisez seulement des pièces de rechange identiques aux pièces d'origine. L'utilisation de toute autre pièce peut constituer un danger ou endommager l'article.

Inspectez périodiquement l'intégralité de l'article pour y déceler des pièces endommagées, manquantes ou lâches telles que des vis, des écrous, des boulons, des capuchons, etc. Resserrez fermement toutes les fixations et tous les capuchons et ne faites pas fonctionner cet article tant que toutes les pièces manquantes ou endommagées n'ont pas été remplacées. Veuillez communiquer avec le service à la clientèle ou avec un centre de service autorisé pour obtenir de l'aide.

Nettoyage

⚠ AVERTISSEMENT

L'utilisation d'air sec comprimé est la meilleure technique de nettoyage. Portez toujours des lunettes de sécurité lorsque vous nettoyez des outils avec de l'air comprimé. Les orifices de ventilation et les leviers d'interrupteur doivent être propres et exempts de toute substance étrangère. Ne tentez pas de nettoyer l'outil en insérant des objets pointus dans les ouvertures.

⚠ AVERTISSEMENT

Certains agents nettoyants et solvants endommagent les pièces en plastique. Notamment : l'essence, le tétrachlorure de carbone, les solvants nettoyants chlorés, l'ammoniac et les détergents ménagers qui contiennent de l'ammoniac.

Rangement

Rangez l'outil à l'intérieur dans un endroit inaccessible aux enfants. Rangez-le à l'écart des agents corrosifs.

RECHERCHE DE LA CAUSE DES PROBLÈMES

Problème	Cause	Remède
L'outil ne démarre pas.	<ol style="list-style-type: none">1. Le bloc-piles est déchargé.2. L'outil est en surcharge.3. Le bloc-piles surchauffe.4. Le bloc-piles n'est pas installé correctement.5. L'interrupteur est endommagé.	<ol style="list-style-type: none">1. Rechargez la pile.2. Relâchez l'interrupteur à gâchette à vitesse variable et réessayez.3. Mettez l'outil hors tension et refroidissez le bloc-piles sous un flux d'air.4. Assurez-vous que le bloc-piles est verrouillé et bien fixé à l'outil.5. Faites remplacer l'interrupteur par un Centre de service après-vente ou de réparation agréé de SKIL.
Le système Halo Light clignote.	<ol style="list-style-type: none">1. L'outil est en surcharge.2. L'outil surchauffe.	<ol style="list-style-type: none">1. Relâchez l'interrupteur à gâchette.2. Refroidissez l'outil sous un flux d'air.

GARANTIE LIMITÉE DE L'OUTIL SKIL

GARANTIE LIMITÉE DE 5 ANS

Chervon North America, Inc. (le « vendeur ») garantit à l'acheteur initial seulement que tous les OUTILS SKIL destinés à un usage résidentiel seront exempts de défauts de matériaux ou de fabrication pour une période de cinq ans à compter de la date d'achat si l'acheteur initial enregistre l'article dans les 30 jours suivant la date d'achat. LES PILES ET LES CHARGEURS sont garantis pour une période de 2 ans. L'enregistrement de l'article peut être effectué en ligne au www.Registermyskil.com. De plus, nous recommandons aux acheteurs initiaux de conserver leur reçu comme preuve d'achat. LA PÉRIODE DE GARANTIE DE CINQ ANS SUR LES OUTILS EST CONDITIONNELLE À L'ENREGISTREMENT DE L'ARTICLE DANS LES 30 JOURS SUIVANT LA DATE D'ACHAT. Si les acheteurs initiaux n'enregistrent pas leur article dans le délai prévu, la garantie limitée sur les outils électriques susmentionnée ne s'appliquera que pour une période de trois ans. Toutes les piles et tous les chargeurs demeureront couverts par la garantie limitée de deux ans.

Nonobstant les dispositions précédentes, si un outil SKIL destiné à un usage résidentiel est utilisé à des fins industrielles, professionnelles ou commerciales, la garantie susmentionnée ne s'appliquera que pour une période de quatre-vingt-dix (90) jours, que l'article ait été enregistré ou non.

LA SEULE OBLIGATION DU VENDEUR ET VOTRE RECOURS EXCLUSIF au titre de cette garantie limitée et, dans les limites permises par la loi, de toute garantie ou condition prévue par la loi, est la réparation ou le remplacement, sans frais, des pièces qui présentent un défaut matériel ou de fabrication, qui n'ont pas fait l'objet d'un usage abusif ou inapproprié et qui n'ont pas été réparées par des personnes autres que le vendeur ou un technicien d'un centre de service autorisé. Pour effectuer une réclamation au titre de la présente garantie limitée, vous devez retourner, port payé, l'article en entier à un centre de service de l'usine de SKIL ou à un centre de service autorisé. Pour communiquer avec un centre de service autorisé de SKIL Power Tools, veuillez visiter le www.Registermyskil.com ou composer le 1 877 SKIL-999 (1 877 754-5999).

CETTE GARANTIE LIMITÉE NE S'APPLIQUE PAS AUX ACCESSOIRES TELS QUE LES LAMES DE SCIE CIRCULAIRE, LES FORETS, LES FRAISES À TOUPIE, LES LAMES DE SCIE SAUTEUSE, LES COURROIES DE PONÇAGE, LES MEULES ET LES AUTRES ACCESSOIRES CONNEXES.

TOUTE GARANTIE IMPLICITE APPLICABLE À UN ARTICLE EST LIMITÉE À UNE DURÉE ÉGALE À LA DURÉE DES GARANTIES EXPRESSES APPLICABLES À UN TEL ARTICLE, COMME IL EST INDIQUÉ AU PREMIER PARAGRAPHE DE CETTE GARANTIE. CERTAINS ÉTATS DES ÉTATS-UNIS ET CERTAINES PROVINCES DU CANADA NE PERMETTENT PAS DE LIMITATIONS QUANT À LA DURÉE DES GARANTIES IMPLICITES, DE SORTE QUE LES LIMITATIONS INDIQUÉES CI-DESSUS PEUVENT NE PAS S'APPLIQUER À VOUS.

LE VENDEUR NE SERA EN AUCUN CAS TENU RESPONSABLE DES DOMMAGES ACCESSOIRES OU CONSÉCUTIFS (Y COMPRIS, SANS TOUTEFOIS S'Y LIMITER, DES PERTES DE PROFIT) RÉSULTANT DE LA VENTE OU DE L'USAGE DE CET ARTICLE. CERTAINS ÉTATS DES ÉTATS-UNIS ET CERTAINES PROVINCES DU CANADA NE PERMETTENT PAS L'EXCLUSION OU LA LIMITATION DES DOMMAGES ACCESSOIRES OU CONSÉCUTIFS, DE SORTE QUE LA LIMITATION OU L'EXCLUSION SUSMENTIONNÉE POURRAIT NE PAS S'APPLIQUER À VOUS.

CETTE GARANTIE LIMITÉE VOUS CONFÈRE DES DROITS PRÉCIS. IL EST POSSIBLE QUE VOUS DISPOSIEZ ÉGALEMENT D'AUTRES DROITS, QUI VARIENT D'UN ÉTAT, D'UNE PROVINCE OU D'UN PAYS À L'AUTRE.

CETTE GARANTIE LIMITÉE S'APPLIQUE UNIQUEMENT AUX ARTICLES VENDUS AUX ÉTATS-UNIS D'AMÉRIQUE, AU CANADA ET À L'ÉTAT LIBRE DE PORTO RICO. POUR CONNAÎTRE LA COUVERTURE DE LA GARANTIE DANS D'AUTRES PAYS, VEUILLEZ COMMUNIQUER AVEC VOTRE DÉTAILLANT OU IMPORTATEUR SKIL LOCAL.

© Chervon North America, 1203 E. Warrenville Rd, Naperville, IL 60563.

08/19

ÍNDICE

Advertencias generales de seguridad en el manejo de herramientas eléctricas	37-39
Advertencias de seguridad para la llave de impacto	39
Símbolos	40-43
Familiarización con la llave de impacto	44
Especificaciones	44
Instrucciones de funcionamiento	45-49
Mantenimiento	50
Resolución de problemas	51
Garantía limitada de la herramienta inalámbrica SKIL	52-53

ADVERTENCIA

- Parte del polvo causado por el lijado eléctrico, el serruchado, la trituración, el taladrado y otras actividades de construcción contiene sustancias químicas reconocidas por el estado de California como causantes de cáncer, defectos congénitos u otros daños en el aparato reproductivo. Algunos ejemplos de estos productos químicos son:
 - Plomo de pinturas a base de plomo.
 - Sílice cristalina de ladrillos, cemento y otros productos de mampostería.
 - Arsénico y cromo de madera tratada con químicos.
- El riesgo que corre debido a la exposición a estos químicos varía según la frecuencia con que realiza este tipo de trabajo. Para reducir la exposición a estos productos químicos:
 - Trabaje en un área bien ventilada.
 - Trabaje con equipo de seguridad aprobado, como las mascarillas antipolvo especialmente diseñadas para filtrar partículas microscópicas.
 - Evite estar en contacto prolongado con el polvo provocado por el lijado, el aserrado, la trituración y el taladrado, y otras actividades de construcción. Use ropa protectora y lave todas las áreas expuestas del cuerpo con agua y jabón. Si se le introduce polvo en la boca o en los ojos, o le queda sobre la piel, puede fomentar la absorción de químicos dañinos.

ADVERTENCIAS GENERALES DE SEGURIDAD EN EL MANEJO DE HERRAMIENTAS ELÉCTRICAS

⚠ ADVERTENCIA Lea todas las advertencias, las instrucciones, las ilustraciones y las especificaciones de seguridad que se proporcionan junto con esta herramienta eléctrica. El incumplimiento de todas estas instrucciones podría provocar descargas eléctricas, incendio o lesiones graves.

GUARDE TODAS LAS ADVERTENCIAS Y LAS INSTRUCCIONES PARA CONSULTAR EN EL FUTURO.

El término "herramienta eléctrica" que aparece en las advertencias hace referencia a la herramienta eléctrica que se conecta a la línea principal (con cable) o a la herramienta eléctrica que funciona a batería (inalámbrica).

Seguridad en el área de trabajo

Mantenga el área de trabajo limpia y bien iluminada. Las áreas desordenadas u oscuras aumentan las posibilidades de accidentes.

No utilice herramientas eléctricas en atmósferas donde exista riesgo de explosión, como por ejemplo, en presencia de líquidos, gases o polvo inflamables. Las herramientas eléctricas producen chispas que podrían encender el polvo o los gases.

Mantenga a los niños y a las personas que se encuentran cerca alejados mientras utiliza una herramienta eléctrica. Las distracciones pueden hacerle perder el control.

Seguridad eléctrica

Los enchufes de las herramientas eléctricas deben encajar en el tomacorriente. No modifique el enchufe de ninguna manera. No utilice ningún enchufe adaptador con herramientas eléctricas con puesta a tierra. Los enchufes sin modificaciones y que encajan en los tomacorrientes reducen el riesgo de descarga eléctrica.

Evite mantener contacto con superficies con puesta a tierra, tales como tuberías, radiadores, estufas o refrigeradores. También puede sufrir una descarga eléctrica si su cuerpo está en contacto con la tierra.

No exponga las herramientas eléctricas a la lluvia o a condiciones de humedad. Si ingresa agua en una herramienta eléctrica, el riesgo de descarga eléctrica aumentará.

No maltrate el cable. Nunca use el cable para transportar, jalar ni desenchufar la herramienta eléctrica. Mantenga el cable alejado del calor, el aceite, los bordes filosos o las piezas en movimiento. Los cables dañados o enredados aumentan el riesgo de sufrir una descarga eléctrica.

Si utiliza una herramienta eléctrica en exteriores, use un cable de extensión que sea adecuado para exteriores. Usar un cable apto para exteriores reduce el riesgo de sufrir una descarga eléctrica.

Si debe utilizar una herramienta eléctrica en un área húmeda, use un suministro protegido con un interruptor de circuito de falla de puesta a tierra (GFCI). Usar un interruptor GFCI disminuye el riesgo de sufrir una descarga eléctrica.

Seguridad personal

Manténgase alerta, preste atención a lo que hace y use el sentido común cuando maneje una herramienta eléctrica. No utilice una herramienta eléctrica si está cansado o bajo los efectos de drogas, alcohol o medicamentos. Un momento de desatención mientras opera herramientas eléctricas puede provocar lesiones personales graves.

Use un equipo de protección personal. Use siempre lentes de protección. Los equipos de protección, como mascarillas antipolvo, zapatos de seguridad antideslizantes, cascos protectores o protección auditiva, utilizados para las condiciones adecuadas, disminuyen el riesgo de lesiones personales.

Evite un arranque accidental. Asegúrese de que el interruptor esté en la posición de apagado antes de conectar la herramienta a la fuente de alimentación o al paquete de baterías, o antes de levantarla o transportarla. Transportar herramientas eléctricas con el dedo en el interruptor o enchufar herramientas eléctricas que tienen el interruptor encendido aumenta las posibilidades de sufrir accidentes.

Retire todas las llaves de ajuste o llaves inglesas antes de encender la herramienta eléctrica. Si se deja una llave inglesa o una llave conectada a una pieza giratoria de la herramienta eléctrica, se podrían producir lesiones personales.

No se extienda demasiado. Mantenga una postura y un equilibrio adecuados en todo momento. Esto permite controlar mejor la herramienta eléctrica en situaciones inesperadas.

Use ropa adecuada. No use ropa holgada ni joyas. Mantenga el cabello, la ropa y los guantes lejos de las piezas en movimiento. La ropa holgada, las joyas o el cabello largo pueden quedar atrapados en las piezas en movimiento.

Si se proporcionan dispositivos para la conexión de complementos de extracción y recolección de polvo, asegúrese de que estén bien conectados y se usen correctamente. La recolección de polvo puede disminuir los peligros relacionados con el polvo.

No permita que la familiaridad obtenida por el uso frecuente de las herramientas lo haga olvidar los principios de seguridad de las herramientas. Un descuido puede ocasionar una lesión grave en cuestión de segundos.

Uso y cuidado de las herramientas eléctricas

No fuerce la herramienta eléctrica. Utilice la herramienta eléctrica adecuada para la tarea. La herramienta eléctrica adecuada realizará un trabajo más seguro y de mejor calidad al ritmo para el que se diseñó.

No utilice la herramienta eléctrica si no la puede encender o apagar con el interruptor. Todas las herramientas eléctricas que no se pueden controlar con el interruptor son peligrosas y se deben reparar.

Desconecte el enchufe de la fuente de alimentación o retire el paquete de baterías, si es posible, de la herramienta eléctrica antes de hacer ajustes, cambiar accesorios o almacenarla. Este tipo de medidas de seguridad preventivas reducen el riesgo de que se produzcan arranques accidentales de la herramienta eléctrica.

Almacene las herramientas eléctricas que no estén en uso fuera del alcance de los niños y no permita que las personas que no conozcan cómo usar la herramienta o estas instrucciones la utilicen. Las herramientas eléctricas son peligrosas en manos de usuarios sin capacitación.

Realice mantenimiento a las herramientas eléctricas y a los accesorios. Revise si hay piezas móviles desalineadas o torcidas, si hay piezas rotas y cualquier otra condición que pueda afectar el funcionamiento de la herramienta eléctrica. Si se daña la herramienta eléctrica, hágala reparar antes de usarla. Muchos accidentes son producto del mantenimiento incorrecto de las herramientas eléctricas.

Mantenga las herramientas de corte afiladas y limpias. Las herramientas de corte con bordes de corte afilados que se mantienen adecuadamente son menos propensas a trabarse y son más fáciles de controlar.

Use la herramienta eléctrica, los accesorios, las brocas, etc. de acuerdo con estas instrucciones, considerando las condiciones de trabajo y el trabajo que desea realizar. El uso de la herramienta eléctrica en operaciones distintas para las que se diseñó podría crear una situación de peligro.

Mantenga los mangos y las superficies de agarre secos, limpios y sin aceite ni grasa. Los mangos y las superficies de agarre resbaladizos no permiten manipular ni controlar la herramienta de forma segura en situaciones inesperadas.

Uso y cuidado de herramientas con batería

Recargue solo con el cargador especificado por el fabricante. Un cargador adecuado para un tipo de paquete de baterías puede crear un riesgo de incendio cuando se usa con otro paquete de baterías.

Use las herramientas eléctricas solo con los paquetes de baterías específicamente designados para estas. El uso de cualquier otro paquete de baterías puede crear un riesgo de lesión e incendio.

Cuando el paquete de baterías no está en uso, aléjelo de objetos metálicos, como sujetapapeles, monedas, llaves, clavos, tornillos u otros objetos metálicos pequeños que pudieran crear una conexión entre los terminales. Es posible que conectar los terminales de la batería entre sí produzca quemaduras o un incendio.

En condiciones de maltrato, es posible que salga líquido de la batería. Evite el contacto. Si se produce un contacto accidental, enjuáguese con agua. Si el líquido entra en contacto con los ojos, también solicite atención médica. El líquido que sale de la batería puede provocar irritación o quemaduras.

No utilice un paquete de baterías ni una herramienta si están dañados o modificados. Las baterías dañadas o modificadas pueden mostrar una conducta impredecible que ocasione incendios, explosiones o riesgo de lesión.

No exponga el paquete de baterías ni la herramienta al fuego o a una temperatura excesiva. La exposición al fuego o a temperaturas por encima de los 265 °F podría causar una explosión.

Siga todas las instrucciones de carga y no cargue el paquete de baterías ni las herramientas fuera del rango de temperatura especificado en las instrucciones. La carga inadecuada o a temperaturas fuera del rango especificado podría dañar la batería y aumentar el riesgo de incendio.

Reparación

Permita que solo una persona capacitada repare la herramienta eléctrica, solo mediante el uso de piezas de repuesto idénticas. Esto mantendrá la seguridad de la herramienta eléctrica.

Nunca realice mantenimiento a los paquetes de batería. Solo el fabricante o los proveedores de servicio autorizados pueden realizar el mantenimiento de los paquetes de baterías.

ADVERTENCIAS DE SEGURIDAD PARA LA LLAVE DE IMPACTO





Agarre la herramienta eléctrica por las superficies de agarre con aislamiento cuando realice una operación en la que es posible que el sujetador entre en contacto con cables ocultos. Es posible que los sujetadores que entren en contacto con un cable con corriente hagan que las partes metálicas de la herramienta eléctrica que estén al descubierto tengan corriente, lo cual podría causar una descarga eléctrica al operador.

SÍMBOLOS

Símbolos de seguridad

El objetivo de los símbolos de seguridad es captar su atención ante posibles peligros. Los símbolos de seguridad y las explicaciones que se dan merecen su atención y comprensión cuidadosa. Las advertencias del símbolo no eliminan por sí mismas ningún peligro. Las instrucciones y las advertencias que se dan no son sustitutos de las medidas adecuadas de prevención de accidentes.

⚠ ADVERTENCIA Asegúrese de leer y de comprender todas las instrucciones de seguridad en este manual del propietario, incluidos todos los símbolos de alerta de seguridad como “**PELIGRO**”, “**ADVERTENCIA**” y “**PRECAUCIÓN**” antes de usar esta herramienta. El incumplimiento de las siguientes instrucciones puede provocar descargas eléctricas, incendios y/o lesiones personales graves.

Las definiciones que se ofrecen a continuación describen el nivel de gravedad de cada símbolo. Lea el manual y preste atención a dichos símbolos.	
	Este es el símbolo de advertencia de seguridad. Se utiliza para advertirlo de los peligros de posibles lesiones personales. Cumpla con todos los mensajes de seguridad a continuación de este símbolo para evitar posibles lesiones o consecuencias fatales.
	PELIGRO indica una situación de peligro que, de no evitarse, ocasionará la muerte o lesiones graves.
	ADVERTENCIA indica una situación potencialmente peligrosa que, de no evitarse, puede ocasionar la muerte o lesiones graves.
	PRECAUCIÓN, se usa con el símbolo de advertencia de seguridad e indica una situación peligrosa que, de no evitarse, puede causar lesiones menores o moderadas.

Mensajes de prevención de daños e información

Estos mensajes informan al usuario sobre informaciones y/o instrucciones importantes que, de no seguirse, pueden causar daños al equipo o la propiedad. Antes de cada mensaje, aparece la palabra “AVISO”, como en el ejemplo a continuación:



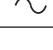
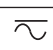




AVISO: Si no se siguen estas instrucciones se pueden producir daños al equipo o la propiedad.






⚠ ADVERTENCIA Durante el funcionamiento de cualquier herramienta eléctrica, pueden entrar objetos extraños a los ojos y causar graves daños oculares. Use siempre lentes o gafas de seguridad con protecciones laterales y, cuando sea necesario, un protector facial que cubra todo el rostro antes de comenzar a operar una herramienta eléctrica. Recomendamos usar una máscara de seguridad de visión amplia sobre los lentes o las gafas de seguridad estándar con protección lateral. Siempre use lentes de protección que cumplan con la norma ANSI Z87.1.

SÍMBOLOS (CONTINUACIÓN)

IMPORTANTE: Puede que algunos de los siguientes símbolos aparezcan en la herramienta. Estúdielos y conozca su significado. La interpretación correcta de estos símbolos le permitirá utilizar la herramienta de manera eficaz y segura.

Símbolo	Nombre	Designación/Explicación
V	Voltios	Voltaje (potencial)
A	Amperios	Corriente
Hz	Hertz	Frecuencia (ciclos por segundo)
W	Vatios	Alimentación
kg	Kilogramos	Peso
min	Minutos	Hora
s	Segundos	Hora
Wh	Vatio por horas	Capacidad de la batería
Ah	Amperios por hora	Capacidad de la batería
∅	Diámetro	Tamaño de las brocas para taladro, piedras de amolar, etc.
n_0	Velocidad sin carga	Velocidad de rotación sin carga
n	Rango de velocidad	Velocidad máxima alcanzable
.../min	Revoluciones o pasadas por minuto	Revoluciones, pasadas, velocidad de superficie, órbitas, etc. por minuto
0	Posición de apagado	Velocidad cero, torsión cero...
1,2,3,... I,II,III,	Ajustes del selector	Ajustes de velocidad, par o posición. Un número mayor significa mayor velocidad
	Selector de regulación continua con apagado	La velocidad aumenta desde el ajuste 0
	Flecha	Acción en la dirección de la flecha
	Corriente alterna	Tipo o característica de corriente
	Corriente directa	Tipo o característica de corriente
	Corriente alterna o directa	Tipo o característica de corriente
	Herramienta de clase II	Designa las herramientas de construcción con doble aislamiento
	Terminal de tierra	Terminal de conexión a tierra
	Sello de iones de litio de RBRC	Designa el programa de reciclaje de baterías de iones de litio

Símbolo	Nombre	Designación/Explicación
	<p>Sello de níquel-cadmio de RBRC</p>	<p>Designa el programa de reciclaje de baterías de níquel-cadmio</p>
	<p>Símbolo de lectura del manual</p>	<p>Indica al usuario que lea el manual</p>
	<p>Símbolo de use de lentes de protección</p>	<p>Siempre use gafas o lentes de seguridad con protecciones laterales y una careta protectora cuando opere este producto.</p>

SÍMBOLOS (INFORMACIÓN DE CERTIFICACIÓN)

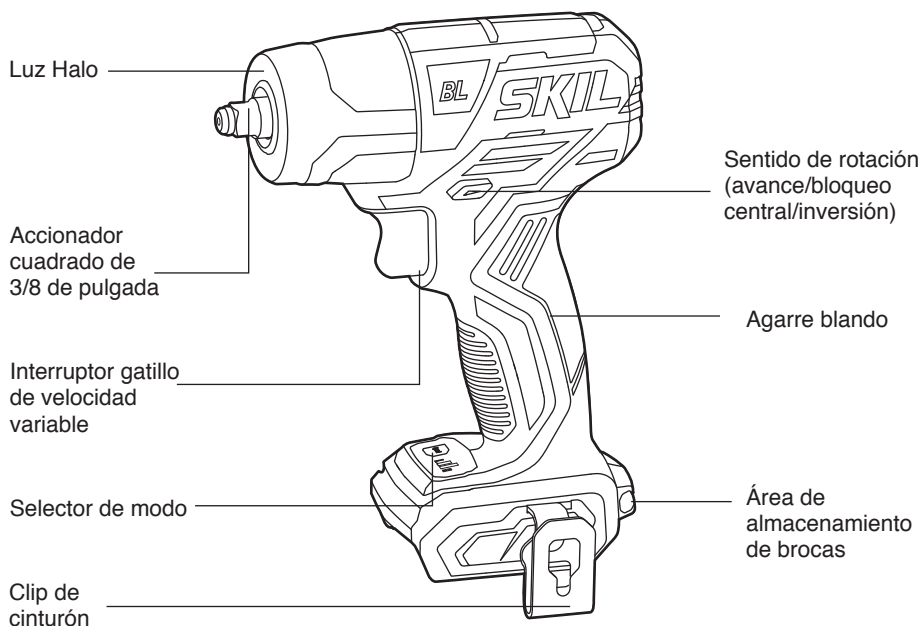
IMPORTANTE: Algunos de los siguientes símbolos de información de certificación pueden aparecer en sus herramientas. Obsérvelos y conozca su significado. La interpretación correcta de estos símbolos le permitirá utilizar la herramienta de manera eficaz y segura.

Símbolo	Designación/Explicación
	Este símbolo designa que esta herramienta está incluida en la lista de Underwriters Laboratories.
	Este símbolo designa que esta herramienta es reconocida por Underwriters Laboratories.
	Este símbolo designa que esta herramienta está incluida en la lista de Underwriters Laboratories, conforme a las normas de Estados Unidos y Canadá.
	Este símbolo designa que esta herramienta está incluida en la lista de Canadian Standards Association.
	Este símbolo designa que esta herramienta está incluida en la lista de Canadian Standards Association, conforme a las normas de Estados Unidos y Canadá.
	Este símbolo designa que esta herramienta está incluida en la lista de Intertek Testing Services, conforme a las normas de Estados Unidos y Canadá.
	Este símbolo designa que esta herramienta cumple con las normas NOM de México.

FAMILIARIZACIÓN CON LA LLAVE DE IMPACTO

Llave de impacto sin escobillas de 12 V

Fig. 1



ESPECIFICACIONES

Tensión nominal	12 V CC.
Accionador cuadrado	3/8" (9.5mm)
Velocidad sin carga	0-1900/0-2500 /min
Impactos por minuto	0-2900/0-3400 /min
Temperatura de funcionamiento recomendada	-10 ~ 40 °C (14 ~ 104 °F)
Temperatura de almacenamiento recomendada	0 ~ 40 °C (32 ~ 104 °F)

INSTRUCCIONES DE UTILIZACIÓN

⚠ ADVERTENCIA Para reducir el riesgo de incendio, lesiones corporales y daños al producto debido a un cortocircuito, no sumerja nunca la herramienta, el paquete de batería ni el cargador en un fluido ni permita que un fluido entre en ellos. Los fluidos corrosivos o conductores, tales como el agua del mar, ciertos agentes químicos industriales y el blanqueador o los productos que contienen blanqueador, etc., pueden causar un cortocircuito.

⚠ ADVERTENCIA Si cualquier pieza está dañada o falta, no utilice este producto hasta que las piezas hayan sido reemplazadas. El uso de este producto con piezas dañadas o si le faltan piezas podría causar lesiones corporales graves.

⚠ ADVERTENCIA No intente modificar esta llave de impacto ni crear accesorios no recomendados para utilizarse con la misma. Toda alteración o modificación de este tipo constituye un uso incorrecto y podría producir una situación peligrosa que cause posibles lesiones graves.

⚠ ADVERTENCIA Para prevenir un arranque accidental que podría causar lesiones corporales graves, retire siempre el paquete de batería de la llave de impacto cuando ensamble piezas, haga ajustes, limpie o realice mantenimiento.

Esta llave de impacto inalámbrica se debe utilizar solamente con los paquetes de batería y los cargadores que se indican a continuación:

Paquete de batería		Cargador
2Ah	4Ah	
SKIL BY500101 SKIL BY519901	SKIL BY519801	SKIL QC535701 SKIL SC536501

AVISO: Sírvase consultar el manual de la batería y del cargador para obtener información de utilización detallada.

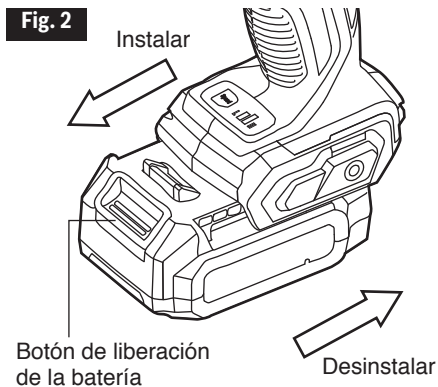
Para instalar/desinstalar el paquete de batería (Fig. 2)

Bloquee el interruptor gatillo en la posición de “APAGADO” de la herramienta colocando el selector del sentido de rotación (avance/bloqueo central/inversión) en la posición central antes de instalar o desinstalar el paquete de batería.

Para instalar el paquete de batería:
Alinee la costilla elevada del paquete de batería con las ranuras de la herramienta y luego deslice el paquete de batería sobre la herramienta.

AVISO: Cuando coloque el paquete de batería en la herramienta, asegúrese de que la costilla elevada del paquete de batería se alinee con la ranura ubicada dentro de la herramienta y que los pestillos se acoplen a presión en la posición correcta. Una colocación incorrecta del paquete de batería puede causar daños a los componentes internos.

⚠ ADVERTENCIA Las herramientas a batería están siempre en condiciones de funcionamiento. Por lo tanto, el selector del sentido de rotación (avance/bloqueo central/inversión) deberá estar siempre bloqueado en la posición central cuando la herramienta no se esté utilizando o cuando usted la esté transportando a su lado.



Para desinstalar el paquete de batería:

Presione el botón de liberación de la batería ubicado en la parte delantera del paquete de batería para liberar dicho paquete. Jale el paquete de batería hacia fuera y retírelo de la herramienta.

Selector del sentido de rotación (avance/bloqueo central/inversión)

⚠ ADVERTENCIA Después de utilizar la herramienta, bloquee el selector del sentido de rotación en la posición de “APAGADO” (bloqueo central) para ayudar a prevenir los arranques accidentales y las lesiones.

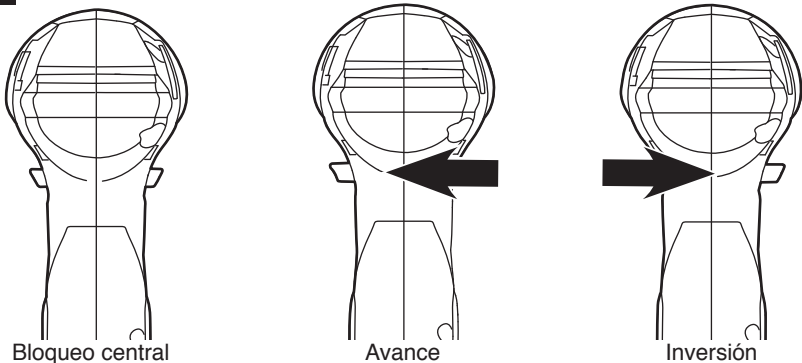
La herramienta está equipada con un selector del sentido de rotación ubicado encima del interruptor gatillo. Este selector está diseñado para cambiar el sentido de rotación de la broca y para bloquear el gatillo en la posición de “APAGADO” (bloqueo central).

- Posicione el selector del sentido de rotación completamente hacia la izquierda de la herramienta para seleccionar rotación de avance.
- Posicione el selector del sentido de rotación completamente hacia la derecha de la herramienta para seleccionar rotación inversa.
- Al poner el interruptor en la posición de “APAGADO” (bloqueo central) se ayuda a reducir la posibilidad de un arranque accidental cuando la herramienta no esté en uso (Fig. 3).

AVISO: Para prevenir los daños a los engranajes, deje siempre que la llave de impacto se detenga por completo antes de cambiar el sentido de rotación.

AVISO: La llave de impacto no funcionará a menos que el selector del sentido de rotación esté acoplado completamente hacia la izquierda o hacia la derecha.

Fig. 3

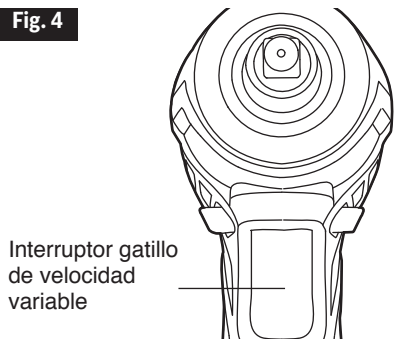


Interruptor gatillo de velocidad variable

La herramienta está equipada con un interruptor gatillo de velocidad variable. La herramienta se puede “ENCENDER” o “APAGAR” presionando o soltando el gatillo.

El interruptor gatillo de velocidad variable produce una velocidad más alta al aumentar la presión en el gatillo y una velocidad más baja al reducir la presión en el gatillo (Fig. 4).

Fig. 4



Luz Halo (Fig. 5)

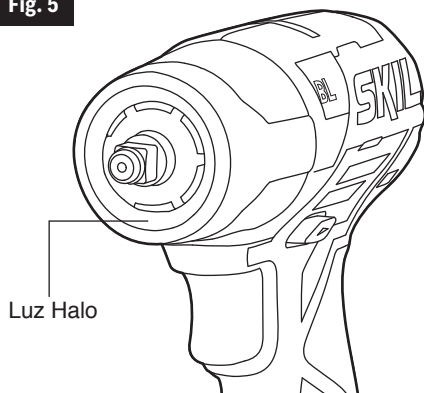
La herramienta está equipada con una luz halo, ubicada en la cabeza de la herramienta; esto proporciona iluminación adicional sin sombras en la superficie de la pieza de trabajo para realizar operaciones en áreas con poca iluminación.

La luz LED se encenderá automáticamente con una ligera compresión del interruptor gatillo de velocidad variable antes de que la herramienta comience a funcionar y se apagará aproximadamente 10 segundos después de soltar el interruptor gatillo de velocidad variable.

Cuando la herramienta y/o el paquete de batería se sobrecarguen o estén demasiado calientes, los sensores internos apagarán la herramienta y la luz halo parpadeará rápidamente. Deje descansar la herramienta por un tiempo o coloque la herramienta y el paquete de batería por separado en una corriente de aire para que se enfríen.

La luz LED parpadeará más lentamente para indicar que la capacidad de la batería está en un nivel bajo; recargue el paquete de batería.

Fig. 5



Selector de modo (Fig. 6)

La herramienta está equipada con una interfaz de ajuste de velocidad que permite ajustar la velocidad en 2 modos (bajo/alto).

Al comprimir ligeramente el gatillo, el indicador de modo se encenderá automáticamente en verde.

Presione el selector de modo para ajustar el modo de velocidad (Fig. 6).

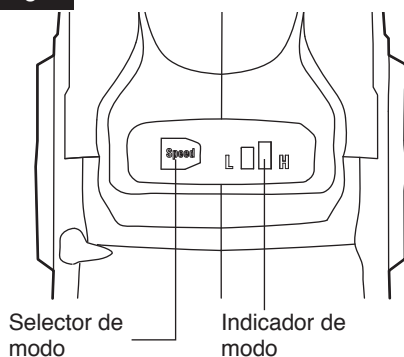
Una luz indicadora se enciende para "L" para indicar "modo de baja velocidad".

Ambas luces indicadoras se encienden para "H" para indicar "modo de alta velocidad".

El modo de velocidad se almacenará y se aplicará en la siguiente operación al encender de nuevo la herramienta o cuando se haya cambiado el sentido de rotación. Reajuste los modos de velocidad según lo desee.

AVISO: Para prevenir daños a los engranajes, deje siempre que la llave de impacto se detenga por completo antes de cambiar entre alta velocidad y baja velocidad. El modo de velocidad solo se puede cambiar cuando la luz indicadora de modo está encendida y el interruptor gatillo no está presionado. El selector de modo no se puede activar cuando el motor está en funcionamiento. La luz indicadora de modo se apagará automáticamente en aproximadamente un minuto después de que la herramienta deje de funcionar.

Fig. 6



Clip de cinturón retirable (Fig. 7)

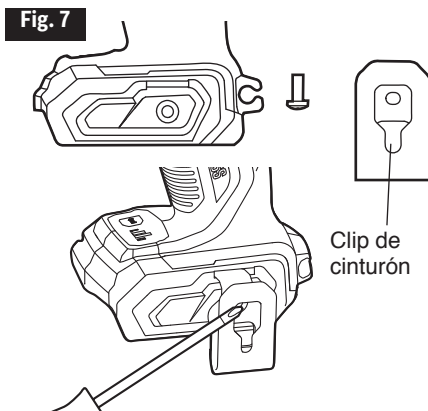
La herramienta está equipada con un clip de cinturón retirable, el cual se puede posicionar en el lado izquierdo de la herramienta para ofrecer un transporte conveniente.

Instale el clip de cinturón en la herramienta:

- Retire el paquete de batería de la herramienta.
- Alinee la costilla elevada del clip de cinturón con el agujero roscado ubicado en la base de la herramienta.
- Inserte el tornillo y apriételo firmemente con un destornillador.

Retire el clip de cinturón de la herramienta:

- Retire el paquete de batería de la herramienta.
- Utilice un destornillador para aflojar el tornillo que sujeta el clip de cinturón a la llave de impacto.
- Retire el tornillo y el clip de cinturón.



Instale y retire la bocallave de impacto (Fig. 8)

Bloquee el interruptor gatillo en la posición de "APAGADO" colocando el selector del sentido de rotación en la posición central.

⚠ PRECAUCIÓN Asegúrese de que la bocallave de impacto y la porción de montaje no estén dañadas antes de instalar la bocallave de impacto.

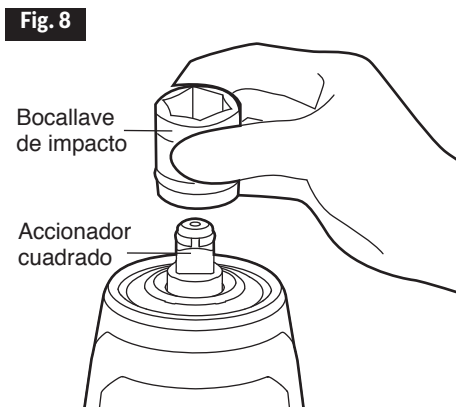
Para instalar la bocallave de impacto:

- Alinee la sección cuadrada de la bocallave de impacto con el accionador cuadrado y empuje dicha bocallave sobre el accionador cuadrado hasta que quede fija en la posición correcta.
- Golpéela suavemente si es necesario.

Retire la bocallave de impacto:

Para retirar la bocallave de impacto, simplemente jálela hasta separarla.

⚠ ADVERTENCIA Use guantes protectores cuando retire la bocallave de impacto de la herramienta o deje primero que la bocallave de impacto se enfríe. Es posible que la bocallave de impacto esté caliente después de un uso prolongado.



Apriete y afloje las tuercas y los pernos

El control de velocidad variable se debe utilizar con precaución para apretar tuercas y pernos con aditamentos de bocallave. La técnica consiste en comenzar lentamente y aumentar la velocidad a medida que la tuerca o el perno se vaya apretando. Ajuste perfectamente la tuerca o el perno reduciendo la velocidad de la herramienta hasta que se detenga. Si no se sigue este procedimiento, la herramienta tendrá tendencia a girar o torcerse en las manos del operador cuando la tuerca o el perno se asiente.

- a. Seleccione una bocallave hexagonal que coincida con la tuerca o el perno. Luego, monte dicha bocallave en el accionador cuadrado y agarre la tuerca o el perno que se vaya a apretar con la bocallave hexagonal.
- b. Agarre firmemente la herramienta y aplique justo suficiente presión para mantener la bocallave acoplada sobre la tuerca o el perno. Luego, presione el interruptor gatillo para impactar la tuerca o el perno durante varios segundos.

AVISO: Utilice siempre la bocallave de impacto de tamaño correcto para los pernos y las tuercas. Una bocallave de impacto de tamaño incorrecto producirá una fuerza de torsión de apriete imprecisa y poco uniforme, y/o dañará el perno o la tuerca.

⚠ ADVERTENCIA No apriete excesivamente, ya que la fuerza de la herramienta de impacto puede romper el sujetador. Sostenga la herramienta en posición vertical con el perno o la tuerca, ya que de lo contrario la cabeza del perno o la tuerca resultará dañada.

MANTENIMIENTO

⚠ ADVERTENCIA Para evitar lesiones personales graves, siempre retire el paquete de baterías de la herramienta cuando limpie o realice cualquier mantenimiento.

Reparación

⚠ ADVERTENCIA El mantenimiento preventivo realizado por personal no autorizado puede derivar en la mala colocación de los cables y componentes internos, lo que podría crear un riesgo grave. Recomendamos que toda reparación de la herramienta la realice un centro de servicio de la fábrica SKIL o una estación de servicio autorizada de SKIL.

Mantenimiento general

⚠ ADVERTENCIA Al realizar mantenimiento, utilice solo piezas de repuesto idénticas. Si utiliza cualquier otra pieza, puede crear un peligro o causar daños en el producto.

Inspeccione el producto periódicamente para verificar que no haya piezas dañadas, faltantes o flojas, como tornillos, tuercas, pernos, tapas, etc. Apriete bien todos los sujetadores y las tapas y no use el producto hasta que se hayan reemplazado las piezas faltantes o dañadas. Si necesita más ayuda, póngase en contacto con el Servicio al Cliente o el centro de servicio autorizado.

Limpieza

⚠ ADVERTENCIA La herramienta se puede limpiar mejor con aire comprimido seco. **Siempre use gafas de seguridad al usar herramientas de limpieza con aire comprimido.** Las aberturas de ventilación y las palancas del interruptor deben mantenerse limpias y libres de materiales extraños. No intente limpiar insertando objetos puntiagudos a través de las aberturas.

⚠ ADVERTENCIA **Determinados solventes y productos de limpieza dañan las piezas de plástico.** Algunos de estos son: gasolina, tetracloruro de carbono, solventes de limpieza con cloro, amoníaco y detergentes domésticos que contienen amoníaco.

Almacenamiento

Almacene la herramienta en un lugar cerrado que no sea accesible para los niños. Manténgala alejada de agentes corrosivos.

RESOLUCIÓN DE PROBLEMAS

Problema	Causa	Remedio
La herramienta no arranca.	<ol style="list-style-type: none">1. El paquete de batería está agotado.2. La herramienta está sobrecargada.3. El paquete de batería está a una temperatura demasiado alta.4. El paquete de batería no está instalado correctamente.5. Interruptor dañado.	<ol style="list-style-type: none">1. Cargue la batería.2. Suelte el interruptor gatillo de velocidad variable e inténtelo de nuevo.3. Apague la llave de impacto y enfríe el paquete de batería en una corriente de aire.4. Confirme que la batería está bloqueada y firmemente sujeta en la herramienta.5. Haga que el interruptor sea reemplazado por un Centro de Servicio SKIL Autorizado o una Estación de Servicio SKIL Autorizada.
La luz Halo parpadea rápidamente.	<ol style="list-style-type: none">1. La herramienta está sobrecargada.2. La herramienta está a una temperatura demasiado alta.	<ol style="list-style-type: none">1. Suelte el interruptor gatillo.2. Enfríe la herramienta en una corriente de aire.

GARANTÍA LIMITADA PARA HERRAMIENTA SKIL

5 AÑO DE GARANTÍA LIMITADA

Chervon North America, Inc. (“Vendedor”) garantiza únicamente al comprador original que ninguna HERRAMIENTA SKIL del consumidor presentará defectos en los materiales ni la mano de obra durante un período de cinco años a partir de la fecha de compra si el comprador original registra el producto dentro de los 30 días de realizada la compra. Las BATERÍAS y los CARGADORES tienen una garantía de 2 años. El registro del producto se puede completar en línea en www.Registermyskil.com. Los compradores originales también deben conservar el recibo como comprobante de compra. EL PERÍODO DE GARANTÍA DE CINCO AÑOS PARA HERRAMIENTAS ESTÁ CONDICIONADA POR EL REGISTRO DEL PRODUCTO DENTRO DE LOS 30 DÍAS DE REALIZADA LA COMPRA. Si los compradores originales no registran el producto de manera oportuna, se aplicará la garantía limitada anterior durante tres años para las herramientas eléctricas. Todas las baterías y los cargadores permanecerán bajo la garantía limitada de dos años.

No obstante lo señalado anteriormente, si se usa una herramienta SKIL del consumidor para fines industriales, profesionales o comerciales, se aplicará la garantía anterior durante noventa días, sin considerar el registro.

LA ÚNICA OBLIGACIÓN DEL VENDEDOR Y SU ÚNICA SOLUCIÓN en virtud de esta garantía limitada y, en la medida en que lo permita la ley, cualquier garantía o condición implícita por la ley, será la reparación o el reemplazo, sin cargo, de las piezas que presentan defectos en el material o la mano de obra y que no se hayan usado de manera incorrecta, que no se hayan manejado sin la debida atención o que las hayan reparado personas que no sean el Vendedor o una estación de servicio autorizada. Para exponer un reclamo en virtud de esta garantía limitada, debe devolver el producto completo, con el transporte prepago, a cualquier centro de servicio de la fábrica SKIL o a cualquier estación de servicio autorizada. Para comunicarse con las estaciones de servicio autorizadas de Skil para reparar su herramienta eléctrica, visite www.Registermyskil.com o llame al 1-877-SKIL-999 (1-877-754-5999).

ESTA GARANTÍA LIMITADA NO SE APLICA A ARTÍCULOS ACCESORIOS, COMO HOJAS DE SIERRA CIRCULAR, BROCAS PARA TALADROS, BROCAS PARA REBAJADORAS, HOJAS DE SIERRA DE VAIVÉN, BANDAS DE LIJADO, DISCOS DE PULIDO Y OTROS ARTÍCULOS RELACIONADOS.

TODA GARANTÍA IMPLÍCITA APLICABLE A UN PRODUCTO DEBE ESTAR LIMITADA A LA MISMA DURACIÓN QUE LA DURACIÓN DE LAS GARANTÍAS EXPRESAS APLICABLES A DICHO PRODUCTO, SEGÚN SE ESTABLECIÓ EN EL PRIMER PÁRRAFO. ALGUNOS ESTADOS EN ESTADOS UNIDOS Y ALGUNAS PROVINCIAS EN CANADÁ NO PERMITEN LIMITACIONES SOBRE EL TIEMPO DE DURACIÓN DE UNA GARANTÍA IMPLÍCITA, DE MODO QUE LA LIMITACIÓN ANTES DESCRITA PUEDE QUE NO SE APLIQUE A USTED. BAJO NINGUNA CIRCUNSTANCIA, EL VENDEDOR SERÁ RESPONSABLE DE DAÑOS ACCIDENTALES O RESULTANTES (INCLUIDA ENTRE OTRAS, LA RESPONSABILIDAD POR PÉRDIDA DE GANANCIAS) QUE SE ORIGINEN DE LA VENTA O EL USO DE ESTE PRODUCTO. ALGUNOS ESTADOS EN ESTADOS UNIDOS Y ALGUNAS PROVINCIAS EN CANADÁ NO PERMITEN LA EXCLUSIÓN O LIMITACIÓN DE DAÑOS ACCIDENTALES O RESULTANTES, DE MODO QUE LA LIMITACIÓN O EXCLUSIÓN ANTERIOR PUEDE QUE NO SE APLIQUE A USTED.

ESTA GARANTÍA LIMITADA LE OTORGA DERECHOS LEGALES ESPECÍFICOS, Y ES POSIBLE QUE TAMBIÉN TENGA OTROS DERECHOS QUE VARÍAN DE UN ESTADO A OTRO EN ESTADOS UNIDOS, DE UNA PROVINCIA A OTRA EN CANADÁ Y DE UN PAÍS A OTRO.

ESTA GARANTÍA LIMITADA SE APLICA SOLAMENTE A PRODUCTOS VENDIDOS EN ESTADOS UNIDOS DE AMÉRICA, CANADÁ Y EL COMMONWEALTH DE PUERTO RICO. PARA TENER UNA COBERTURA DE GARANTÍA EN OTROS PAÍSES, PÓNGASE EN CONTACTO CON SU DISTRIBUIDOR O IMPORTADOR DE SKIL.

© Chervon North America, 1203 E. Warrenville Rd, Naperville, IL 60563.

08/19

