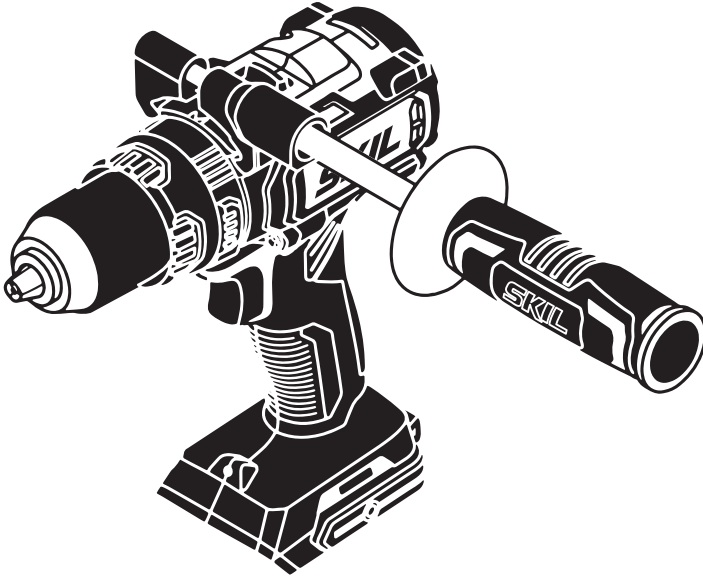


SKIL®

Owner's Manual
Guide d'utilisation
Manual del propietario



Model/ Modelo/ Modèle: HD529501

20V Brushless Heavy Duty Hammer Drill

Perceuse à percussion sans balais et robuste de 20 V

Martillo perforador sin escobillas de 20 V para trabajos pesados

⚠ WARNING: To reduce the risk of injury, the user must read and understand the Owner's Manual before using this product. Save these instructions for future reference.

⚠ AVERTISSEMENT : Afin de réduire les risques de blessure, l'utilisateur doit lire et comprendre le guide d'utilisation avant d'utiliser cet article. Conservez le présent guide afin de pouvoir le consulter ultérieurement.

⚠ ADVERTENCIA : Para reducir el riesgo de lesiones, el usuario debe leer y comprender el Manual del operador antes de utilizar este producto. Guarde estas instrucciones para consultarlas en caso sea necesario.



For Customer Service
Pour le service à la clientèle
Servicio al cliente

1-877-SKIL-999 OR www.skil.com

TABLE OF CONTENTS

General Power Tool Safety Warnings	3-5
Safety Warnings for Hammer Drill	5
Symbols	6-9
Get to Know Your Hammer Drill	10
Specifications	10
Assembly	11
Operating Instructions	11-20
Maintenance	21-22
Troubleshooting	22
Limited Warranty of SKIL Cordless Tool	23

WARNING

- Some dust created by power sanding, sawing, grinding, drilling and other construction activities contains chemicals known to the State of California to cause cancer, birth defects or other reproductive harm. Some examples of these chemicals are:
 - Lead from lead-based paints.
 - Crystalline silica from bricks, cement, and other masonry products.
 - Arsenic and chromium from chemically-treated lumber.
- Your risk from these exposures varies, depending upon how often you do this type of work. To reduce your exposure to these chemicals:
 - Work in a well-ventilated area.
 - Work with approved safety equipment, such as dust masks that are specially designed to filter out microscopic particles.
 - Avoid prolonged contact with dust from power sanding, sawing, grinding, drilling, and other construction activities. Wear protective clothing and wash exposed areas with soap and water. Allowing dust to get into your mouth or eyes or to lie on the skin may promote absorption of harmful chemicals.

GENERAL POWER TOOL SAFETY WARNINGS



Read all safety warnings, instructions, illustrations and specifications provided with this power tool. Failure to follow all instructions listed

below may result in electric shock, fire and/or serious injury.

SAVE ALL WARNINGS AND INSTRUCTIONS FOR FUTURE REFERENCE.

The term “power tool” in the warnings refers to your mains-operated (corded) power tool or battery-operated (cordless) power tool.

Work area safety

Keep work area clean and well lit. Cluttered or dark areas invite accidents.

Do not operate power tools in explosive atmospheres, such as in the presence of flammable liquids, gases or dust. Power tools create sparks which may ignite the dust or fumes.

Keep children and bystanders away while operating a power tool. Distractions can cause you to lose control.

Electrical safety

Power tool plugs must match the outlet. Never modify the plug in any way. Do not use any adapter plugs with earthed (grounded) power tools. Unmodified plugs and matching outlets will reduce risk of electric shock.

Avoid body contact with earthed or grounded surfaces, such as pipes, radiators, ranges and refrigerators. There is an increased risk of electric shock if your body is earthed or grounded.

Do not expose power tools to rain or wet conditions. Water entering a power tool will increase the risk of electric shock.

Do not abuse the cord. Never use the cord for carrying, pulling or unplugging the power tool. Keep cord away from heat, oil, sharp edges or moving parts. Damaged or entangled cords increase the risk of electric shock.

When operating a power tool outdoors, use an extension cord suitable for outdoor use. Use of a cord suitable for outdoor use reduces the risk of electric shock.

If operating a power tool in a damp location is unavoidable, use a ground fault circuit interrupter (GFCI) protected supply. Use of a GFCI reduces the risk of electric shock.

Personal safety

Stay alert, watch what you are doing and use common sense when operating a power tool. Do not use a power tool while you are tired or under the influence of drugs, alcohol or medication. A moment of inattention while operating power tools may result in serious personal injury.

Use personal protective equipment. Always wear eye protection. Protective equipment such as dust mask, non-skid safety shoes, hard hat or hearing protection used for appropriate conditions will reduce personal injuries.

Prevent unintentional starting. Ensure the switch is in the off-position before connecting to power source and/or battery pack, picking up or carrying the tool. Carrying power tools with your finger on the switch or energising power tools that have the switch on invites accidents.

Remove any adjusting key or wrench before turning the power tool on. A wrench or a key left attached to a rotating part of the power tool may result in personal injury.

Do not overreach. Keep proper footing and balance at all times. This enables better control of the power tool in unexpected situations.

Dress properly. Do not wear loose clothing or jewellery. Keep your hair, clothing and gloves away from moving parts. Loose clothes, jewellery or long hair can be caught in moving parts.

If devices are provided for the connection of dust extraction and collection facilities, ensure these are connected and properly used. Use of dust collection can reduce dust-related hazards.

Do not let familiarity gained from frequent use of tools allow you to become complacent and ignore tool safety principles. A careless action can cause severe injury within a fraction of a second.

Power tool use and care

Do not force the power tool. Use the correct power tool for your application. The correct power tool will do the job better and safer at the rate for which it was designed.

Do not use the power tool if the switch does not turn it on and off. Any power tool that cannot be controlled with the switch is dangerous and must be repaired.

Disconnect the plug from the power source and/or remove the battery pack, if detachable, from the power tool before making any adjustments, changing accessories, or storing power tools. Such preventive safety measures reduce the risk of starting the power tool accidentally.

Store idle power tools out of the reach of children and do not allow persons unfamiliar with the power tool or these instructions to operate the power tool.

Power tools are dangerous in the hands of untrained users.

Maintain power tools and accessories. Check for misalignment or binding of moving parts, breakage of parts and any other condition that may affect the power tool's operation. If damaged, have the power tool repaired before use.

Many accidents are caused by poorly maintained power tools.

Keep cutting tools sharp and clean. Properly maintained cutting tools with sharp cutting edges are less likely to bind and are easier to control.

Use the power tool, accessories and tool bits etc. in accordance with these instructions, taking into account the working conditions and the work to be performed. Use of the power tool for operations different from those intended could result in a hazardous situation.

Keep handles and grasping surfaces dry, clean and free from oil and grease.

Slippery handles and grasping surfaces do not allow for safe handling and control of the tool in unexpected situations.

Battery tool use and care

Recharge only with the charger specified by the manufacturer. A charger that is suitable for one type of battery pack may create a risk of fire when used with another battery pack.

Use power tools only with specifically designated battery packs. Use of any other battery packs may create a risk of injury and fire.

When battery pack is not in use, keep it away from other metal objects, like paper clips, coins, keys, nails, screws or other small metal objects, that can make a connection from one terminal to another. Shorting the battery terminals together may cause burns or a fire.

Under abusive conditions, liquid may be ejected from the battery; avoid contact. If contact accidentally occurs, flush with water. If liquid contacts eyes, additionally seek medical help. Liquid ejected from the battery may cause irritation or burns.

Do not use a battery pack or tool that is damaged or modified. Damaged or modified batteries may exhibit unpredictable behaviour resulting in fire, explosion or risk of injury.

Do not expose a battery pack or tool to fire or excessive temperature. Exposure to fire or temperature above 265 °F may cause explosion.

Follow all charging instructions and do not charge the battery pack or tool outside the temperature range specified in the instructions. Charging improperly or at temperatures outside the specified range may damage the battery and increase the risk of fire.

Service

Have your power tool serviced by a qualified repair person using only identical replacement parts. This will ensure that the safety of the power tool is maintained.

Never service damaged battery packs. Service of battery packs should only be performed by the manufacturer or authorized service providers.

SAFETY WARNINGS FOR HAMMER DRILL

Safety instructions for all operations:

Wear ear protectors when impact drilling. Exposure to noise can cause hearing loss.

Use the auxiliary handle(s). Loss of control can cause personal injury.

Hold the power tool by insulated gripping surfaces, when performing an operation where the cutting accessory or fasteners may contact hidden wiring. Cutting accessory or fasteners contacting a “live” wire may make exposed metal parts of the power tool “live” and could give the operator an electric shock.

Safety instructions when using long drill bits:

Never operate at higher speed than the maximum speed rating of the drill bit. At higher speeds, the bit is likely to bend if allowed to rotate freely without contacting the workpiece, resulting in personal injury.

Always start drilling at low speed and with the bit tip in contact with the workpiece. At higher speeds, the bit is likely to bend if allowed to rotate freely without contacting the workpiece, resulting in personal injury.





Apply pressure only in direct line with the bit and do not apply excessive pressure. Bits can bend causing breakage or loss of control, resulting in personal injury.

SYMBOLS

Safety Symbols

The purpose of safety symbols is to attract your attention to possible dangers. The safety symbols and the explanations with them deserve your careful attention and understanding. The symbol warnings do not, by themselves, eliminate any danger. The instructions and warnings they give are no substitutes for proper accident prevention measures.

⚠ WARNING Be sure to read and understand all safety instructions in this Owner's Manual, including all safety alert symbols such as "**DANGER**," "**WARNING**," and "**CAUTION**" before using this tool. Failure to following all instructions listed below may result in electric shock, fire, and/or serious personal injury.

The definitions below describe the level of severity for each signal word. Please read the manual and pay attention to these symbols.	
	This is the safety alert symbol. It is used to alert you to potential personal injury hazards. Obey all safety messages that follow this symbol to avoid possible injury or death.
	DANGER indicates a hazardous situation which, if not avoided, will result in death or serious injury.
	WARNING indicates a hazardous situation which, if not avoided, could result in death or serious injury.
	CAUTION, used with the safety alert symbol, indicates a hazardous situation which, if not avoided, will result in minor or moderate injury.

Damage Prevention and Information Messages

These inform the user of important information and/or instructions that could lead to equipment or other property damage if they are not followed. Each message is preceded by the word "NOTICE", as in the example below:





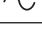




NOTICE: Equipment and/or property damage may result if these instructions are not followed.





⚠ WARNING The operation of any power tools can result in foreign objects being thrown into your eyes, which can result in severe eye damage. Before beginning power tool operation, always wear safety goggles or safety glasses with side shields and a full face shield when needed. We recommend a Wide Vision Safety Mask for use over eyeglasses or standard safety glasses with side shields. Always use eye protection which is marked to comply with ANSI Z87.1.

SYMBOLS (CONTINUED)







IMPORTANT: Some of the following symbols may be used on your tool. Please study them and learn their meaning. Proper interpretation of these symbols will allow you to operate the tool better and more safely.

Symbol	Name	Designation/Explanation
V	Volts	Voltage (potential)
A	Amperes	Current
Hz	Hertz	Frequency (cycles per second)
W	Watt	Power
kg	Kilograms	Weight
min	Minutes	Time
s	Seconds	Time
Wh	Watt-hours	Battery capacity
Ah	Ampere-Hours	Battery capacity
∅	Diameter	Size of drill bits, grinding wheels, etc.
n_0	No load speed	Rotational speed, at no load
n	Rated speed	Maximum attainable speed
.../min	Revolutions or reciprocation per minute	Revolutions, strokes, surface speed, orbits, etc. per minute
0	Off position	Zero speed, zero torque...
1,2,3,... I,II,III,	Selector settings	Speed, torque or position settings. Higher number means greater speed
	Infinitely variable selector with off	Speed is increasing from 0 setting
	Arrow	Action in the direction of arrow
	Alternating current	Type or a characteristic of current
	Direct current	Type or a characteristic of current
	Alternating or direct current	Type or a characteristic of current
	Class II tool	Designates Double Insulated Construction tools.
	Earthing terminal	Grounding terminal
	Li-ion RBRC seal	Designates Li-ion battery recycling program
	Ni-Cad RBRC seal	Designates Ni-Cad battery recycling program

Symbol	Name	Designation/Explanation
	Read manual symbol	Alerts user to read manual
	Wear eye protection symbol	Always wear safety goggles or safety glasses with side shields and a full face shield when operating this product.

SYMBOLS (CERTIFICATION INFORMATION)

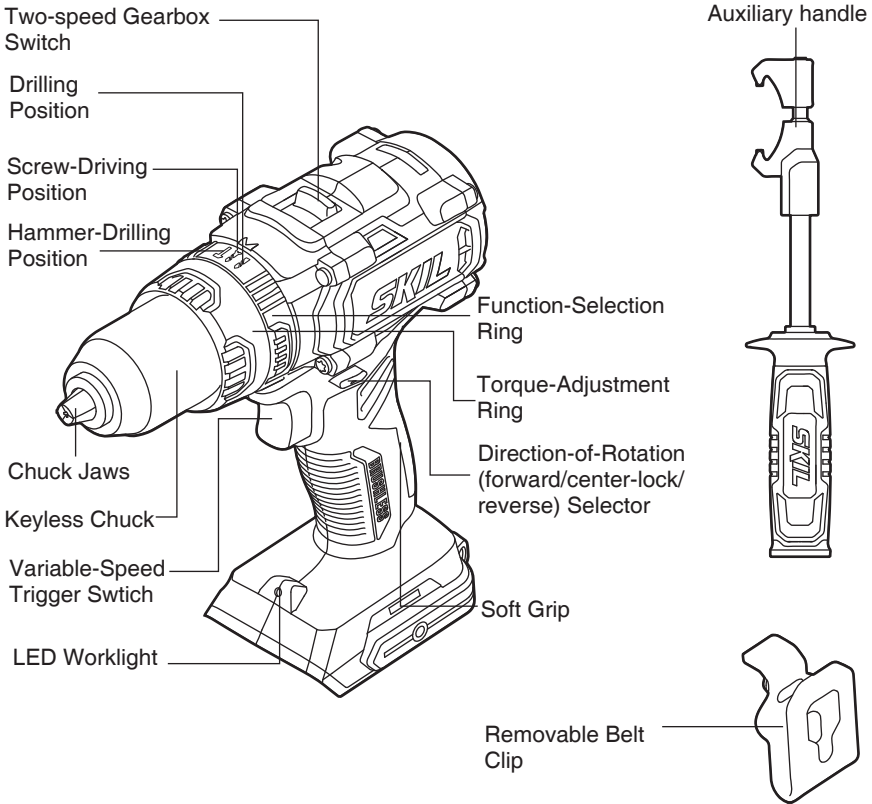
IMPORTANT: Some of the following symbols for certification information may be used on your tool. Please study them and learn their meaning. Proper interpretation of these symbols will allow you to operate the tool better and more safely.

	This symbol designates that this tool is listed by Underwriters Laboratories.
	This symbol designates that this tool is recognized by Underwriters Laboratories.
	This symbol designates that this tool is listed by Underwriters Laboratories, to United States and Canadian Standards.
	This symbol designates that this tool is listed by the Canadian Standards Association.
	This symbol designates that this tool is listed by the Canadian Standards Association, to United States and Canadian Standards.
	This symbol designates that this tool is listed by the Intertek Testing Services, to United States and Canadian Standards.
	This symbol designates that this tool complies to NOM Mexican Standards.

GET TO KNOW YOUR HAMMER DRILL

20V Brushless Heavy Duty Hammer Drill

Fig. 1



SPECIFICATIONS

Rated voltage	20V d.c.
Max. Chuck size	1/2"(13mm)
No-load speeds	0 - 550 / 0 - 2000 /min
Recommended working temperature	14 ~ 104°F (-10 ~ 40°C)
Recommended storage temperature	32 ~ 104°F (0 ~ 40°C)

ASSEMBLY

Removable Belt Clip (Fig. 2)

Your tool is equipped with a removable belt clip that can be positioned on the left side of the tool for convenient transport.

Install the belt clip onto the tool:

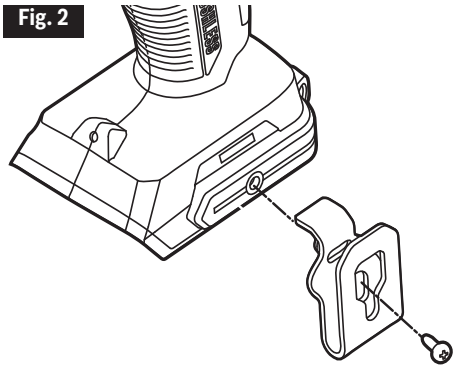
- Remove the battery pack from the tool.
- Align the rib of the belt clip with the threaded hole on the base of the tool.
- Insert the screw and securely tighten the screw with a screwdriver.

Remove the belt clip from the tool:

- Remove the battery pack from the tool.
- Use a screwdriver to loosen the screw that attaches the belt clip to the hammer drill.
- Remove the screw and the belt clip.

NOTICE: Install or remove the belt clip as you need.

Fig. 2



OPERATING INSTRUCTIONS

⚠ WARNING To reduce the risk of fire, personal injury, and product damage due to a short circuit, never immerse your tool, battery pack or charger in fluid or allow a fluid to flow inside them. Corrosive or conductive fluids, such as seawater, certain industrial chemicals, and bleach or bleach-containing products, etc. can cause a short circuit.

⚠ WARNING If any parts are damaged or missing, do not operate this product until the parts are replaced. Use of this product with damaged or missing parts could result in serious personal injury.

⚠ WARNING Do not attempt to modify this tool or create accessories not recommended for use with this tool. Any such alteration or modification is misuse and could result in a hazardous condition leading to possible serious injury.

⚠ WARNING To prevent accidental starting that could cause serious personal injury, always remove the battery pack from the tool when assembling parts.

This cordless hammer drill must be used only with the battery packs and chargers listed below:

Battery Pack					Charger	
2Ah	2Ah	2.5Ah	4Ah	5Ah		
SKIL BY519701	SKIL BY519702	SKIL BY519703	SKIL BY519601	SKIL BY519603	SKIL SC535801	SKIL QC536001

NOTICE: Please refer to the battery and charger manuals for detailed operating information.

To Attach/Detach Battery Pack

Lock the variable-speed trigger switch “OFF” by placing the direction-of-rotation (forward/center-lock/reverse) selector in the center position before attaching or detaching the battery pack.

To attach the battery pack:

Align the raised rib on the battery pack with the grooves on the tool, and then slide the battery pack onto the tool (Fig. 3).

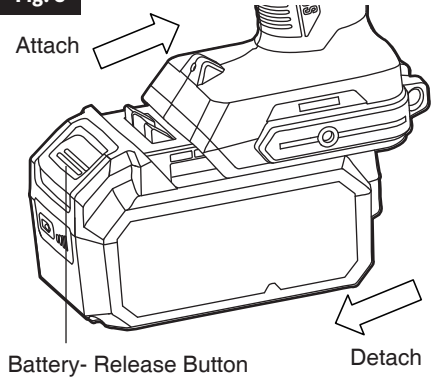
To detach the battery pack:

Depress the battery-release button located on the front of the battery pack to release the battery pack. Pull the battery pack out and remove it from the tool (Fig. 3).

NOTICE: When placing the battery pack on the tool, be sure that the raised rib on the battery pack aligns with the groove inside the tool and that the latches snap into place properly. Improper attachment of the battery pack can cause damage to internal components.

⚠ WARNING Battery tools are always in operating condition. Therefore, the direction-of-rotation (forward/center-lock/reverse) selector should always be locked in the center position when the tool is not in use or when carrying it at your side.

Fig. 3



Direction-of-Rotation (Forward/Center-Lock/Reverse) Selector

⚠ WARNING After tool use, lock the direction-of-rotation selector in the “OFF” position (center-lock) to help prevent accidental starts and possible injury.

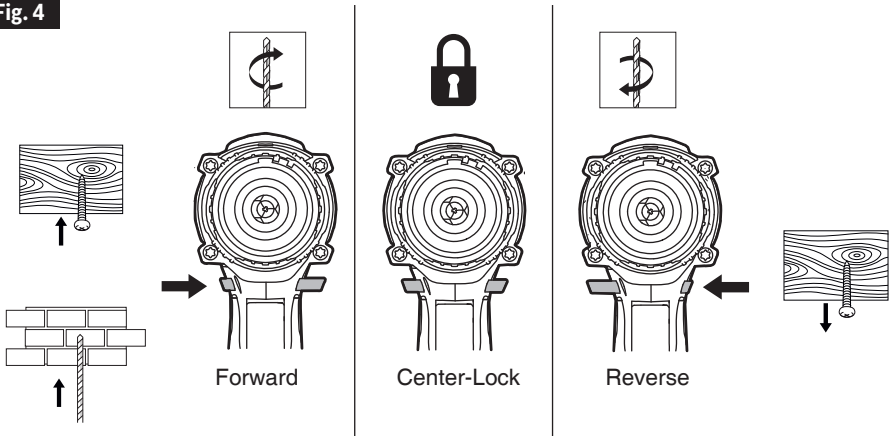
Your tool is equipped with a direction-of-rotation selector, located above the variable-speed trigger switch. This selector is designed to change the direction of rotation of the bit and to lock the variable-speed trigger switch in the “OFF” (center-lock) position (Fig. 4).

- Position the direction-of-rotation selector to the far right of the tool for forward rotation.
- Position the direction-of-rotation selector to the far left of the tool for reverse rotation.
- Position the switch in the “OFF” (center-lock) position helps reduce the possibility of accidental starting when not in use.

NOTICE: To prevent gear damage, always allow the hammer drill to come to a complete stop before changing the direction of rotation.

NOTICE: The hammer drill will not run unless the direction-of-rotation selector is engaged fully to the left or right.

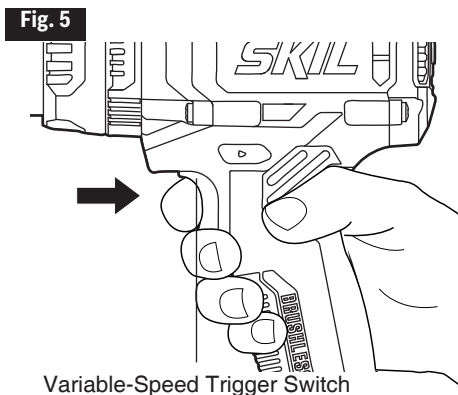
Fig. 4



Variable-Speed Trigger Switch (Fig. 5)

Your tool is equipped with a variable-speed trigger switch. The tool can be turned “ON” or “OFF” by depressing or releasing the variable-speed trigger switch.

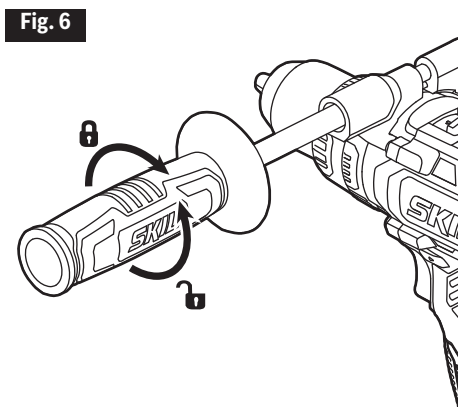
The variable-speed trigger switch delivers higher speed with increased trigger pressure and lower speed with decreased trigger pressure.



Auxiliary Handle (Fig. 6)

Secure the auxiliary handle onto the hammer drill before working. To clamp the auxiliary handle, rotate the handle clockwise. To loosen the auxiliary handle, rotate the handle anti-clockwise.

⚠ WARNING This tool generates high levels of torque. Never operate the product without the auxiliary handle to avoid accidents and injury! Always ensure that the auxiliary handle is attached and secured correctly before operation! The auxiliary handle provides better control of the tool in case of sudden jams during use when considerable forces are released!



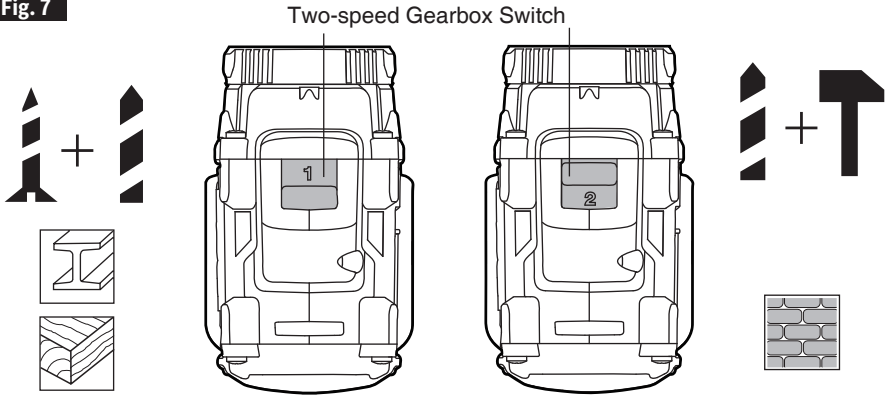
Two-Speed Gearbox Switch (Fig. 7)

Your tool is equipped with a two-speed gearbox designed for operating at LO (1) or HI (2) speeds. A slide switch is located on the top of the tool to select either LO (1) or HI (2) speed. LO (1) speed provides higher torque and slower speeds for heavy-duty work or for driving screws, drilling large diameters, or tapping threads. Use LO (1) speed for starting holes without a center punch, drilling metals or plastic, drilling ceramics, or in applications requiring a higher torque.

HI (2) speed provides lower torque and faster speeds for hammer drilling or lighter drilling work. HI speed is better for drilling wood and wood composites and for using abrasive and polishing accessories.


NOTICE: To prevent gear damage, always allow the tool to come to a complete stop before changing between HI speed and LO speed.

Fig. 7





Function Selector and Torque-Adjustment Ring (Fig. 8)

Your tool is equipped with a function selector for various applications. Move the selector depending on the requirements of your task.

Your tool also features 24 clutch settings for the screw-driving position . Output torque will increase as the clutch ring is rotated from 1 to 24. When driving a screw, first try torque position 1 and increase until the desired torque is reached.

The proper setting depends on the job and the type of bit, fastener, and material you will be using. In general, use greater torque for larger screws. If the torque is too high, the screws may be damaged or broken. For delicate operations, such as removing a partially stripped screw, use a low torque setting.

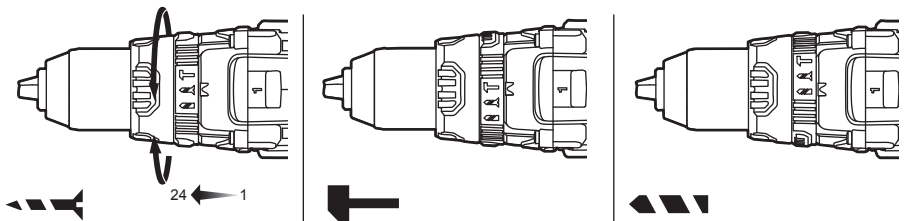
The Drill setting  will lock the clutch to permit (non-hammer) drilling or driving for heavy-duty work.

The Hammer Drill setting  will lock the clutch to permit hammer drilling only.

NOTICE: Do not use the hammer drilling setting for drilling in wood, metal, ceramic, and plastic to prevent the drill/screw bit from being damaged.

CAUTION Do not adjust the torque or switch functions when the tool is running.

Fig. 8



LED Worklight (Fig. 9)

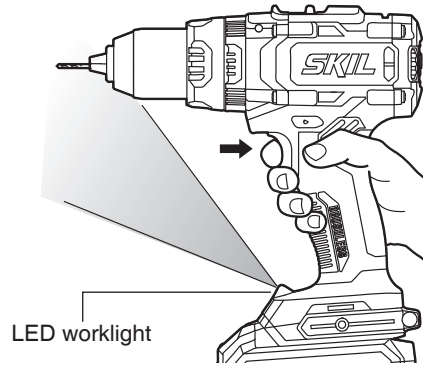
Your tool is equipped with an LED worklight, located on the base of the tool, that illuminates when the variable-speed trigger switch is squeezed. This provides additional light on the surface of the workpiece for operation in lower-light areas.

The LED worklight will automatically turn on with a slight squeeze on the variable-speed trigger switch before the tool starts running, and will turn off approximately 10 seconds after the variable-speed trigger switch is released.

When the tool and/or battery pack becomes overloaded or too hot, the internal sensors will turn the tool off. If the tool and/or battery pack are overloaded, the LED worklight will rapidly flash. Rest the tool for a while or place the tool and battery pack separately under flowing air to cool them.

The LED worklight will flash more slowly to indicate that the battery pack is at low-battery capacity. Recharge the battery pack.

Fig. 9



Install and Remove Bits (Fig. 10)

⚠ WARNING Do not use the power of the drill while grasping chuck to loosen or tighten the chuck jaws on the bit. Friction burn or hand injury is possible if attempting to grasp the spinning chuck.

⚠ WARNING Do not use bits with damaged shanks.

Your tool is equipped with a keyless chuck to tighten or release bits in the chuck jaws. The arrows on the chuck indicate the direction in which to rotate the chuck body in order to LOCK (tighten) or UNLOCK (release) the chuck jaws on the bit.

- Lock the variable-speed trigger switch “OFF” on the tool by placing the direction-of-rotation selector in the center position.
- Remove the battery pack and select the Drill Position.

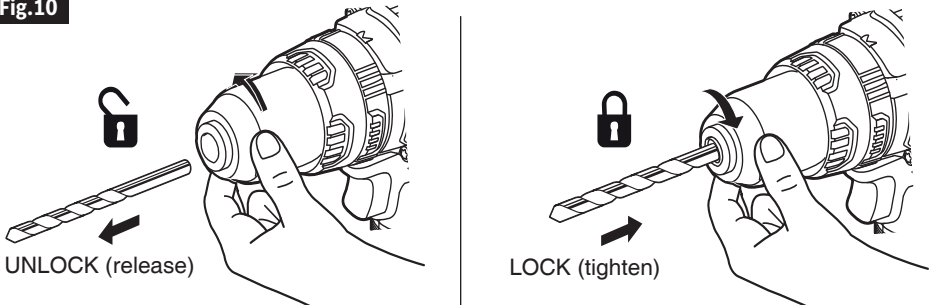
To install the bit:

- Rotate the chuck body counterclockwise, as viewed from chuck end, to open the chuck to approximately the bit diameter.
- Insert a clean bit up to the drill-bit flutes for small bits, or as far as it will go for large bits. Close the chuck by rotating the chuck body clockwise and securely tighten by hand.

To remove the bit:

- Rotate the chuck body counterclockwise, as viewed from the chuck end, to open the chuck.
- Remove the bit.

Fig.10



⚠ WARNING Use protective gloves when removing the bit from the tool, or first allow the bit to cool down. The bit may be hot after prolonged use.

Drill Bits

Always inspect drill bits for excessive wear. Use only bits that are sharp and in good condition.

Twist Bits: Available with straight and reduced shanks for wood and light-duty metal drilling. High-speed bits cut faster and last longer on hard materials.

Carbide-Tipped Bits: Used for drilling stone, concrete, plaster, cement, and other unusually hard nonmetal materials. Use continuous, heavy feed pressure when using carbide-tipped bits.

Drilling (Fig. 11)

⚠ WARNING Always wear safety goggles or safety glasses with side shields during power tool operation or when blowing dust. If operation is dusty, also wear a dust mask.

- Check that the direction-of-rotation selector is at the correct setting (forward or reverse).
- Secure the material to be drilled in a vise or with clamps to keep it from turning as the drill bit rotates.
- Hold the drill firmly, and place the bit at the point to be drilled.
- Depress the variable-speed trigger switch to start the drill.
- Move the drill bit into the workpiece, applying only enough pressure to keep the bit “biting”. Do not force the drill or apply side pressure to elongate a hole. Let the tool do the work.
- When drilling hard, smooth surfaces, use a center punch to mark the desired location of the hole. This will prevent the drill bit from slipping off-center as the hole is started.
- When drilling metals, use light oil on the drill bit to keep it from overheating. The oil will prolong the life of the bit and increase the drilling action.
- If the bit jams in the workpiece or if the drill stalls, stop the tool immediately. Remove the bit from the workpiece and determine the reason for jamming.

There are two rules for drilling hard materials. First, the harder the material, the greater the pressure you need to apply to the tool. Second, the harder the material, the slower the speed should be. If the hole to be drilled is fairly large, drill a smaller hole first, and then enlarge to the required size with a larger bit; it’s often faster in the long run.

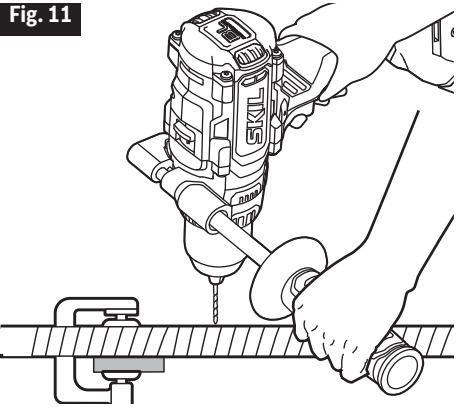


Fig. 11

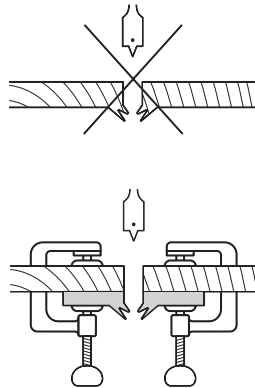
Wood Drilling

For maximum performance, use high-speed steel or brad-point bits for wood drilling.

- Begin drilling at a very low speed to prevent the bit from slipping off the starting point.
- Increase speed as the drill bit bites into the material.
- When drilling “through” holes, secure a block of wood behind the workpiece to prevent ragged or splintered edges on the back side of the workpiece (Fig. 12).

NOTICE: Bits may overheat unless reversed and pulled out frequently to clear chips from flutes.

Fig. 12



Metal Drilling

For maximum performance, use high-speed steel bits for metal or steel drilling.

- When drilling metals, use light oil on the drill bit to keep it from overheating. The oil will prolong the life of the bit and increase the drilling action.
- Begin drilling at a very low speed to prevent the bit from slipping off the starting point.
- Maintain a speed and a pressure that allow cutting without overheating the bit. Applying too much pressure will:
 - Overheat the drill.
 - Wear the bearings.
 - Bend or burn bits.
 - Produce off-center or irregularly shaped holes.

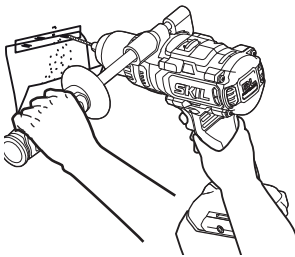
Masonry Drilling

For maximum performance, use carbide-tipped masonry bits when drilling holes in brick, tile, concrete, etc.

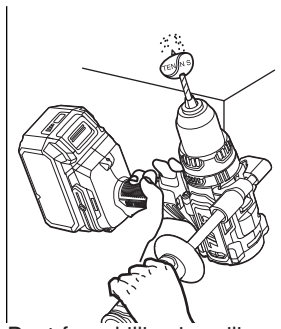
- Maintain a speed and a pressure that allow cutting without overheating the bit or Drill. Applying too much pressure will:
 - Overheat the Drill.
 - Wear the bearings.
 - Bend or burn bits.
 - Produce off-center or irregular-shaped holes.
- Apply light pressure and medium speed for best results in brick.
- Apply additional pressure for hard materials such as concrete.
- When drilling holes in tile, practice on a scrap piece to determine the best speed and pressure.
- Begin drilling at a very low speed to prevent the bit from slipping off the starting point.

NOTICE: Fig.13 shows some tips for different drilling operations.

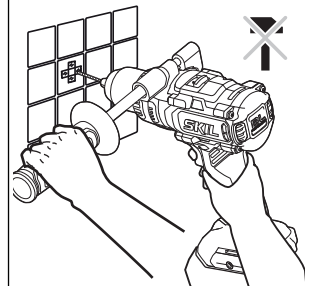
Fig. 13



Dust-free drilling in walls



Dust-free drilling in ceilings



Drilling in tiles without skidding

Driving Nuts and Bolts

 WARNING Always wear safety goggles or safety glasses with side shields during power tool operation or when blowing dust. If operation is dusty, also wear a dust mask.

Variable-speed control must be used with caution when driving nuts and bolts with socket-set attachments. The best technique is to start slowly and increase speed as the nut or bolt runs down, then set the nut or bolt snugly by slowing the drill to a stop. If this procedure is not followed, the tool will have a tendency to torque or twist in your hands when the nut or bolt seats.

Automatic Spindle Lock

The automatic spindle lock allows you to use it as a manual screwdriver. You can give an extra twist to firmly tighten a screw, loosen a very tight screw, or continue working when the battery charge is depleted. For manual screwdriver purposes, the chuck is automatically locked when the tool is off.

MAINTENANCE

⚠ WARNING To avoid serious personal injury, always remove the battery pack from the tool when cleaning or performing any maintenance.

Service

⚠ WARNING Preventive maintenance performed by unauthorized personnel may result in misplacing of internal wires and components which could cause serious hazard. We recommend that all tool service be performed by a SKIL Factory Service Center or Authorized SKIL Service Station.

General Maintenance

⚠ WARNING When servicing, use only identical replacement parts. Use of any other parts could create a hazard or cause product damage.

Periodically inspect the entire product for damaged, missing, or loose parts such as screws, nuts, bolts, caps, etc. Tighten securely all fasteners and caps and do not operate this product until all missing or damaged parts are replaced. Please contact customer service or an authorized service center for assistance.

Chuck Removal (Fig. 14)

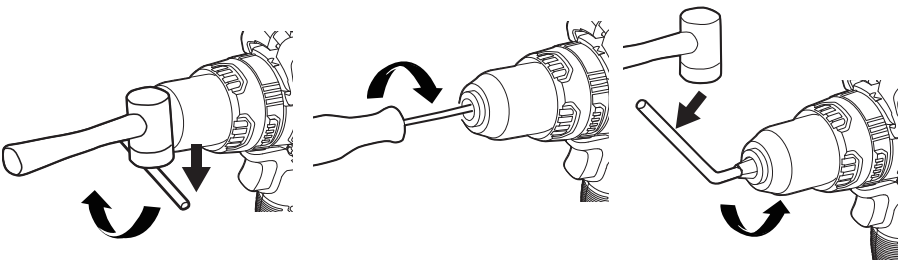
The chuck can be removed and replaced with a new one.

- Lock the variable-speed trigger switch by placing the direction-of-rotation selector in the center position and remove the battery pack. Set the tool at Drilling position.
- Open the chuck jaws.
- Insert a 5/16 in. or larger hex key (not included) into the chuck of the tool and tighten the chuck jaws securely.
- Tap the hex key sharply with a mallet (not included) in a clockwise direction. This will loosen the screw in the chuck for easy removal.
- Open the chuck jaws and remove the hex key. Using a Phillips screwdriver (not included), remove the chuck screw by turning it in a clockwise direction.

NOTICE: The chuck screw has left-handed threads.

- Insert the hex key into the chuck and tighten the chuck jaws securely. Tap sharply with a mallet in a counterclockwise direction. This will loosen the chuck on the spindle. It can now be unscrewed by hand.

Fig. 14



To Retighten a Loose Chuck

The chuck may become loose on the spindle and develop a wobble. The chuck screw may also become loose, causing the chuck jaws to bind and prevent them from closing.

To tighten a loose chuck or chuck screw:

- a. Lock the variable-speed trigger switch by placing the direction-of-rotation selector in the center position.
- b. Open the chuck jaws.
- c. Insert a hex key (not included) into the chuck and tighten the chuck jaws securely. Tap the hex key sharply with a mallet (not included) in a clockwise direction. This will tighten the chuck on the spindle.
- d. Open the chuck jaws and remove the hex key.
- e. Use a Philips screwdriver (not included) to turn the chuck screw counterclockwise to tighten it.

Cleaning

⚠ WARNING The tool may be cleaned most effectively with compressed dry air. Always wear safety goggles when cleaning tools with compressed air. Ventilation openings and switch levers must be kept clean and free of foreign matter. Do not attempt to clean by inserting pointed objects through openings.

⚠ WARNING Certain cleaning agents and solvents damage plastic parts. Some of these are: gasoline, carbon tetrachloride, chlorinated cleaning solvents, ammonia and house hold detergents that contain ammonia.

Storage

Store the tool indoors in a place that is inaccessible to children. Keep away from corrosive agents.

TROUBLESHOOTING

Problem	Cause	Remedy
Tool will not start.	<ol style="list-style-type: none">1. Battery pack is depleted.2. Tool is over-loaded.3. Battery pack is over-temperature.4. Battery pack is not installed properly.5. Burned out switch.	<ol style="list-style-type: none">1. Charge the battery.2. Release the variable-speed trigger switch and try again.3. Turn off the tool and cool the battery pack under air flow.4. Confirm battery is locked and secured to the tool.5. Have the switch replaced by an Authorized SKIL Service Center or Service Station.
Excessive vibration.	<ol style="list-style-type: none">1. Accessory being used is bent or damaged.2. Accessory being used is not secure in chuck.3. Loose chuck.	<ol style="list-style-type: none">1. Discard and replace with new accessory.2. Reference the "Install Bits" section of this manual.3. Reference the "To Retighten a Loose Chuck" section of this manual.

LIMITED WARRANTY OF SKIL CONSUMER TOOLS

5 YEAR LIMITED WARRANTY- LEGAL

Chervon North America, Inc. ("Seller") warrants to the original purchaser only, that all SKIL consumer TOOLS will be free from defects in material or workmanship for a period of five years from date of purchase, if original purchaser registers the product within 30 days from purchase. BATTERIES AND CHARGERS are warranted for 2 years. Product registration can be completed online at www.Registermyskil.com. Original purchasers should also retain their receipt as proof of purchase. THE FIVE-YEAR WARRANTY PERIOD FOR TOOLS IS CONDITIONED ON REGISTRATION OF THE PRODUCT WITHIN 30 DAYS OF PURCHASE. If original purchasers do not register their product timely, the foregoing limited warranty will apply for a duration of three years for tools. All batteries and chargers will remain under the two-year limited warranty.

Notwithstanding the foregoing, if a SKIL consumer tool is used for industrial, professional or commercial purposes, the foregoing warranty will apply for a duration of ninety days, regardless of registration.

SELLER'S SOLE OBLIGATION AND YOUR EXCLUSIVE REMEDY under this Limited Warranty and, to the extent permitted by law, any warranty or condition implied by law, shall be the repair or replacement of parts, without charge, which are defective in material or workmanship and which have not been misused, carelessly handled, or repaired by persons other than Seller or Authorized Service Station. To make a claim under this Limited Warranty, you must return the complete product, transportation prepaid, to any SKIL Factory Service Center or Authorized Service Station. For Authorized SKIL Power Tool Service Stations, please visit www.Registermyskil.com or call 1-877-SKIL-999 (1-877-754-5999).

THIS LIMITED WARRANTY DOES NOT APPLY TO ACCESSORY ITEMS SUCH AS CIRCULAR SAW BLADES, DRILL BITS, ROUTER BITS, JIGSAW BLADES, SANDING BELTS, GRINDING WHEELS AND OTHER RELATED ITEMS.

ANY IMPLIED WARRANTIES APPLICABLE TO A PRODUCT SHALL BE LIMITED IN DURATION EQUAL TO THE DURATION OF THE EXPRESS WARRANTIES APPLICABLE TO SUCH PRODUCT, AS SET FORTH IN THE FIRST PARAGRAPH ABOVE. SOME STATES IN THE U.S., SOME CANADIAN PROVINCES DO NOT ALLOW LIMITATIONS ON HOW LONG AN IMPLIED WARRANTY LASTS, SO THE ABOVE LIMITATION MAY NOT APPLY TO YOU.

IN NO EVENT SHALL SELLER BE LIABLE FOR ANY INCIDENTAL OR CONSEQUENTIAL DAMAGES (INCLUDING BUT NOT LIMITED TO LIABILITY FOR LOSS OF PROFITS) ARISING FROM THE SALE OR USE OF THIS PRODUCT. SOME STATES IN THE U.S. AND SOME CANADIAN PROVINCES DO NOT ALLOW THE EXCLUSION OR LIMITATION OF INCIDENTAL OR CONSEQUENTIAL DAMAGES, SO THE ABOVE LIMITATION OR EXCLUSION MAY NOT APPLY TO YOU.

THIS LIMITED WARRANTY GIVES YOU SPECIFIC LEGAL RIGHTS, AND YOU MAY ALSO HAVE OTHER RIGHTS WHICH VARY FROM STATE TO STATE IN THE U.S., PROVINCE TO PROVINCE IN CANADA AND FROM COUNTRY TO COUNTRY.

THIS LIMITED WARRANTY APPLIES ONLY TO PRODUCTS SOLD WITHIN THE UNITED STATES OF AMERICA, CANADA AND THE COMMONWEALTH OF PUERTO RICO. FOR WARRANTY COVERAGE WITHIN OTHER COUNTRIES, CONTACT YOUR LOCAL SKIL DEALER OR IMPORTER.

© Chervon North America, 1203 E. Warrenville Rd, Naperville, IL 60563.

01/19

TABLE DES MATIÈRES

Avertissements de sécurité généraux relatifs aux outils électriques	25-27
Avertissements de sécurité relatifs aux marteaux perforateurs.	27-28
Symboles	29-32
APPRENEZ À CONNAÎTRE VOTRE marteau perforateur	33
Caractéristiques techniques	33
Assemblée	34
Mode d'emploi	34-43
Entretien	44-45
Dépannage	46
Garantie limitée de l'outil sans fil SKIL	47-48

AVERTISSEMENT

- La poussière créée pendant le ponçage, le sciage, le polissage, le perçage et d'autres activités liées à la construction peut contenir des produits chimiques reconnus par l'État de la Californie comme étant la cause de cancer, d'anomalies congénitales et d'autres problèmes liés aux fonctions reproductrices. Voici des exemples de ces produits chimiques :
 - du plomb provenant de peintures à base de plomb;
 - de la silice cristalline provenant de la brique, du ciment ou d'autres matériaux de maçonneries;
 - de l'arsenic et du chrome provenant du bois d'œuvre traité avec un produit chimique.
- Les risques liés à l'exposition à ces produits varient selon le nombre de fois où vous pratiquez ces activités. Pour réduire votre exposition à ces produits chimiques :
 - travaillez dans un endroit bien ventilé;
 - munissez-vous de l'équipement de sécurité approuvé tel que des masques antipoussières conçus spécialement pour filtrer les particules microscopiques;
 - évitez l'exposition prolongée à la poussière causée par le ponçage mécanique, le sciage, le polissage, le perçage et d'autres activités liées à la construction; Portez un équipement de protection et lavez à l'eau et au savon toutes les parties exposées. Les poussières pénétrant dans votre bouche ou dans vos yeux et les poussières se déposant sur votre peau peuvent causer l'absorption de produits chimiques dangereux.

AVERTISSEMENTS DE SÉCURITÉ GÉNÉRAUX RELATIFS AUX OUTILS ÉLECTRIQUES

⚠ AVERTISSEMENT Lisez tous les avertissements et toutes les instructions, illustrations et spécifications fournis avec cet outil électrique. Le non-respect des consignes de sécurité ci-dessous peut occasionner un choc électrique, un incendie ou des blessures graves.

CONSERVEZ TOUS LES AVERTISSEMENTS ET LES INSTRUCTIONS AFIN DE POUVOIR VOUS YRÉFÉRER ULTÉRIEUREMENT.

L'expression « outil électrique » utilisée dans les avertissements correspond aux outils électriques alimentés sur secteur (à fil) ou alimentés par piles (sans fil).

Mesures de sécurité dans l'aire de travail

Gardez l'aire de travail propre et bien éclairée. Une aire de travail sombre ou en désordre augmente les risques d'accident.

N'utilisez pas d'outils électriques dans un endroit présentant un risque d'explosion, par exemple en présence de liquides, de gaz ou de poussières inflammables. Les outils électriques produisent des étincelles susceptibles d'enflammer ces poussières ou ces vapeurs.

Maintenez les enfants et les observateurs à l'écart lorsque vous manipulez l'outil électrique. Une distraction peut vous faire perdre la maîtrise de l'outil.

Consignes de sécurité relatives à l'électricité

Les fiches des outils électriques doivent correspondre à la prise. Ne modifiez jamais la fiche de quelque façon que ce soit. N'utilisez pas d'adaptateur avec les outils électriques mis à la terre. L'utilisation de fiches non modifiées dans les prises compatibles réduit les risques de choc électrique.

Évitez de toucher à des surfaces mises à la terre, par exemple un tuyau, un radiateur, une cuisinière ou un réfrigérateur. Le contact du corps avec une surface mise à la terre augmente les risques de choc électrique.

N'exposez pas les outils électriques à la pluie ni à tout environnement humide. L'infiltration d'eau dans un outil électrique augmente les risques de choc électrique.

N'utilisez pas le cordon d'alimentation de façon à l'endommager. Ne transportez jamais un outil électrique en le tenant par son cordon et ne tirez jamais sur le cordon pour le débrancher. Tenez le cordon d'alimentation éloigné des sources de chaleur, de l'huile, des objets coupants et des pièces mobiles. Les risques de choc électrique sont plus élevés si le cordon d'alimentation est endommagé ou emmêlé.

Lorsque vous utilisez un outil électrique à l'extérieur, utilisez une rallonge conçue pour être utilisée à l'extérieur. Ce type de rallonge réduit les risques de choc électrique.

Si vous n'avez d'autre choix que d'utiliser un outil électrique dans un endroit humide, utilisez une alimentation protégée par un disjoncteur différentiel. L'utilisation d'un disjoncteur différentiel réduit les risques de choc électrique.

Sécurité personnelle

Soyez vigilant, prêtez attention à ce que vous faites et usez de votre jugement lorsque vous utilisez un outil électrique. N'utilisez pas un outil électrique lorsque vous êtes fatigué ou sous l'effet de drogues, d'alcool ou de médicaments. Un moment d'inattention pendant que vous utilisez des outils électriques peut occasionner des blessures graves.

Utilisez un équipement de protection. Portez toujours des lunettes de sécurité. Le port d'équipement de protection, comme un masque antipoussières, des chaussures de sécurité antidérapantes, un casque de protection et des protecteurs auditifs, lorsque les conditions l'exigent, réduit les risques de blessures.

Évitez tout démarrage involontaire. Assurez-vous que l'interrupteur est sur la position d'arrêt avant de brancher l'outil sur une source d'alimentation ou un bloc-piles, de ramasser l'outil ou de le transporter. Transporter les outils électriques avec le doigt sur la gâchette ou brancher les outils lorsque l'interrupteur est à la position de marche augmente les risques d'accident.

Enlevez toute clé de serrage ou clé à molette avant de mettre l'outil électrique en marche. Une clé de réglage oubliée sur une pièce rotative de l'outil électrique peut occasionner des blessures graves.

Ne vous étirez pas pour étendre votre portée. Gardez une posture sécuritaire et un bon équilibre en tout temps. Cela vous permet de mieux maîtriser l'outil électrique lorsque des situations inattendues se présentent.

Habillez-vous de manière appropriée. Ne portez pas de vêtements amples ni de bijoux. Gardez vos cheveux et vos vêtements loin des pièces mobiles. Les vêtements amples, les bijoux et les cheveux longs risquent de se prendre dans les pièces en mouvement.

Si un dispositif permet de raccorder un dépoussiéreur, assurez-vous que celui-ci est branché et utilisé de manière appropriée. L'emploi d'un dépoussiéreur contribue à réduire les dangers liés à la poussière.

Même si vous connaissez parfaitement ces outils parce que vous les utilisez souvent, soyez vigilant et respectez les principes de sécurité. Il suffit d'être négligent une fraction de seconde pour se blesser gravement.

Utilisation et entretien d'un outil électrique

Ne forcez pas l'outil électrique. Utilisez l'outil électrique approprié à la tâche que vous souhaitez accomplir. L'outil électrique adéquat vous permettra de mieux accomplir le travail avec plus de sécurité et au rythme pour lequel il a été conçu.

N'utilisez pas l'outil électrique si l'interrupteur ne permet pas de le mettre en marche et de l'arrêter. Tout outil qui ne peut pas être contrôlé par l'interrupteur est dangereux et doit être réparé.

Débranchez la fiche de la prise ou retirez, si possible, le bloc-piles de l'outil électrique avant d'effectuer des réglages, de changer d'accessoire ou de le ranger. De telles mesures de sécurité préventives réduisent les risques de mise en marche accidentelle de l'outil électrique.

Rangez l'outil électrique à l'arrêt hors de la portée des enfants et n'autorisez pas une personne ne sachant pas s'en servir ou n'ayant pas lu ces instructions à l'utiliser. Les outils électriques sont dangereux s'ils se retrouvent entre les mains d'utilisateurs qui ne savent pas s'en servir.

Entretenez les outils électriques et les accessoires. Vérifiez les pièces mobiles pour vous assurer qu'elles ne sont pas désalignées, enrayées, brisées, ou dans un état qui pourrait nuire à leur fonctionnement. Si l'outil électrique est endommagé, faites-le réparer avant de l'utiliser. De nombreux accidents sont provoqués par des outils électriques mal entretenus.

Maintenez les outils de découpe affûtés et propres. Des outils tranchants bien entretenus et dont les lames sont affûtées risquent moins de se bloquer et sont plus faciles à maîtriser.

Utilisez l'outil électrique, les accessoires, les embouts et les autres éléments conformément aux présentes instructions, en tenant compte des conditions de travail et du travail à effectuer. L'utilisation de l'outil électrique à des fins autres que celles pour lesquelles il a été conçu pourrait entraîner une situation dangereuse.

Les poignées et autres surfaces de préhension doivent toujours être sèches, propres et exemptes d'huile ou de graisse.

Les poignées et autres surfaces de préhension glissantes ne permettent pas de manipuler ni de contrôler l'outil de façon sécuritaire en cas de situations inattendues.

Utilisation et entretien d'un outil alimenté par un bloc-piles

Rechargez uniquement le bloc-piles au moyen du chargeur approuvé par le fabricant.

Un chargeur conçu pour un type de bloc-piles peut causer un incendie s'il est utilisé avec un autre bloc-piles.

Utilisez les outils électriques uniquement avec les blocs-piles désignés. L'utilisation de tout autre bloc-piles peut constituer un risque de blessure et d'incendie.

Lorsque vous n'utilisez pas le bloc-pile, conservez-le à l'écart d'autres objets métalliques, comme des trombones, des pièces de monnaie, des clés, des clous, des vis et d'autres petits objets métalliques qui peuvent connecter une borne à une autre.

Un court-circuit entre les bornes du bloc-piles peut occasionner des brûlures ou un incendie.

Dans de mauvaises conditions, un liquide peut être éjecté du bloc-pile; évitez tout contact avec celui-ci. En cas de contact accidentel, rincez à grande eau. Si vos yeux entrent en contact avec ce liquide, consultez un médecin. Le liquide provenant des piles peut causer de l'irritation ou des brûlures.

N'utilisez pas un bloc-piles ou un outil endommagé ou modifié. Les blocs-piles modifiés ou endommagés peuvent fonctionner de façon imprévisible et présenter un risque d'incendie, d'explosion ou de blessures.

N'exposez pas un bloc-piles ou un outil à un feu ou à une température excessive.

L'exposition au feu ou à une température supérieure à 129,4 °C peut provoquer une explosion.

Suivez toutes les instructions pour le chargement et ne chargez pas le bloc-piles ou l'appareil en dehors de la plage de température spécifiée dans les instructions. Une recharge inadéquate ou effectuée à des températures en dehors de la plage spécifiée peut endommager le bloc-piles et augmenter le risque d'incendie.

Entretien

Demandez à un technicien qualifié qui utilise seulement des pièces de rechange identiques aux pièces d'origine d'effectuer l'entretien de votre outil électrique. Vous vous assurez ainsi de respecter les consignes de sécurité de l'outil électrique.

Ne réparez jamais un bloc-piles endommagé. Seuls le fabricant et les fournisseurs de services autorisés peuvent effectuer la réparation d'un bloc-piles.

AVERTISSEMENTS DE SÉCURITÉ RELATIFS AUX MARTEAUX PERFORATEURS

Consignes de sécurité pour toutes les utilisations :

Portez des protège-oreilles lorsque vous percez un impact. L'exposition au bruit peut entraîner une perte d'audition.

Utilisez la poignée auxiliaire. La perte de maîtrise de l'outil peut causer des blessures.

Tenez l'outil électrique par sa poignée isolée lorsque l'accessoire tranchant est susceptible d'entrer en contact avec des fils dissimulés ou avec son propre cordon d'alimentation. Si un accessoire tranchant entre en contact avec un fil sous tension, les parties métalliques exposées de l'outil électrique peuvent donner un choc électrique à l'utilisateur.

Consignes de sécurité pour l'utilisation de longs forets :

Ne jamais faire fonctionner l'outil à une vitesse supérieure à la vitesse maximale du foret. À des vitesses plus élevées, le foret pourrait se tordre si vous le laissez tourner librement, sans qu'il soit en contact avec la pièce travaillée et cela pourrait vous causer des blessures.

Commencez toujours le perçage à basse vitesse, en gardant le foret en contact avec la pièce travaillée. À des vitesses plus élevées, le foret pourrait se tordre si vous le laissez tourner librement, sans qu'il soit en contact avec la pièce travaillée et cela pourrait causer des blessures.





Appliquez seulement une pression en ligne directe avec le foret et n'appliquez pas de pression excessive. Les forets peuvent se tordre et causer un bris ou une perte de contrôle, ce qui pourrait causer des blessures.

SYMBOLES

Symboles de sécurité

L'objectif des symboles de sécurité est d'attirer votre attention sur les dangers potentiels. Vous devez examiner attentivement et bien comprendre les symboles de sécurité et les explications qui les accompagnent. Les symboles d'avertissement en tant que tels n'éliminent pas le danger. Les consignes et les avertissements qui y sont associés ne remplacent en aucun cas les mesures préventives adéquates.

⚠ AVERTISSEMENT Assurez-vous de lire et de comprendre toutes les consignes de sécurité présentées dans le présent guide d'utilisation, notamment toutes les consignes de sécurité indiquées par « **DANGER** », « **AVERTISSEMENT** » et « **ATTENTION** » avant d'utiliser cet outil. Le fait de ne pas respecter toutes les consignes de sécurité ci-dessous peut causer un choc électrique, un incendie ou des blessures graves.

Les définitions ci-dessous décrivent le degré de gravité pour chaque mot-indicateur. Veuillez lire ce manuel et prêter attention à ces symboles.	
	Voici le pictogramme d'alerte de sécurité. Il sert à vous indiquer les risques potentiels de blessures. Respectez toutes les consignes de sécurité associées à ce pictogramme pour éviter les risques de blessures ou de mort.
	La mention DANGER indique un danger imminent qui, s'il n'est pas évité, causera des blessures graves ou la mort.
	La mention AVERTISSEMENT indique un risque pouvant entraîner des blessures graves ou la mort s'il n'est pas prévenu.
	La mention ATTENTION, utilisée avec le symbole d'alerte de sécurité, indique un risque potentiel qui, s'il n'est pas éliminé, provoquera des blessures mineures ou moyennement graves.

Messages d'information et de prévention des dommages

Ces messages contiennent des renseignements importants à l'intention de l'utilisateur ainsi que des consignes à respecter. Le non-respect de celles-ci peut occasionner des dommages à l'équipement ou d'autres dommages matériels. Chaque message est précédé du mot « AVIS », comme dans l'exemple ci-dessous :





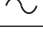



AVIS : Ne pas suivre ces consignes pourrait occasionner des dommages à l'équipement ou d'autres dommages matériels.






⚠ AVERTISSEMENT L'utilisation de tout outil électrique peut entraîner la projection de corps étrangers dans les yeux et ainsi causer des lésions oculaires graves. Lorsque vous utilisez un outil électrique, portez toujours des lunettes de sécurité pourvues d'écrans latéraux et d'un écran facial panoramique, au besoin. Nous recommandons le port d'un masque de sécurité panoramique par-dessus les lunettes ou de lunettes de sécurité standard avec écrans latéraux. Portez toujours des protecteurs oculaires conformes à la norme ANSI Z87.1.

SYMBOLES (SUITE)








IMPORTANT : Les symboles suivants peuvent figurer sur votre outil. Familiarisez-vous avec eux et apprenez leur signification. En comprenant ces symboles, vous serez en mesure de faire fonctionner cet outil de façon adéquate et sécuritaire.

Symbole	Nom	Forme au long et explication
V	Volts	Tension (possible)
A	Ampère	Courant
Hz	Hertz	Fréquence (cycles par seconde)
W	Watt	Puissance
kg	Kilogrammes	Poids
min	Minutes	Durée
s	Secondes	Durée
Wh	Watheures	Capacité de la pile
Ah	Ampères-heures	Capacité de la pile
∅	Diamètre	Taille des forets, des meules, etc.
n_0	Vitesse à vide	Vitesse de rotation à vide
n	Vitesse nominale	Vitesse maximale atteignable
.../min	Tours ou va-et-vient par minute	Tours, coups, vitesse périphérique, de la course, etc. par minute
0	Position d'arrêt	Vitesse nulle, couple nul...
1,2,3,... I,II,III,	Réglages du sélecteur	Réglages de vitesse, de couple ou de position. Plus le chiffre est élevé, plus la vitesse est rapide
	Sélecteur à réglages infinis avec mode d'arrêt	La vitesse augmente à partir du réglage 0
	Flèche	L'activation se fait dans le sens de la flèche
	Courant alternatif	Type de courant ou caractéristique de courant
	Courant continu	Type or a characteristic of current
	Courant alternatif ou continu	Type or a characteristic of current
	Outil de catégorie II	Désigne les outils de construction à double isolation.
	Borne de mise à la terre	Borne de mise à la terre
	Li-ion RBRC seal	Sceau du programme de recyclage des piles au lithium-ion

Symbole	Nom	Forme au long et explication
	<p>Sceau du programme de recyclage des piles au nickel-cadmium</p>	<p>Désigne le programme de recyclage des piles au nickel-cadmium</p>
	<p>Symbole de lecture du manuel</p>	<p>Invite l'utilisateur à lire le manuel</p>
	<p>Symbole du port de lunettes de sécurité</p>	<p>Lorsque vous utilisez ce produit, portez toujours des lunettes de protection ou de sécurité à écrans latéraux et un masque de protection complet.</p>

SYMBOLES (RENSEIGNEMENTS EN MATIÈRE D'HOMOLOGATION)

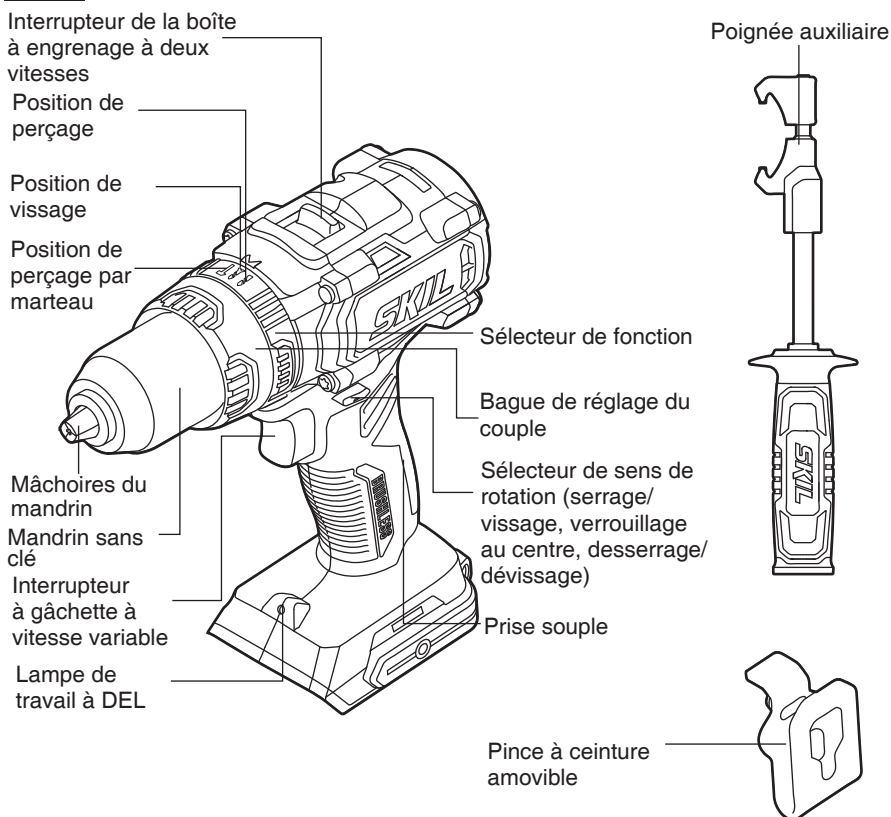
IMPORTANT: Les symboles suivants peuvent figurer sur votre outil. Familiarisez-vous avec eux et apprenez leur signification. En comprenant ces symboles, vous serez en mesure de faire fonctionner cet outil de façon adéquate et sécuritaire.

Symbole	Forme au long et explication
	Ce symbole indique que cet outil est répertorié par Underwriters Laboratories.
	Ce symbole indique que cet outil est reconnu par Underwriters Laboratories.
	Ce symbole indique que cet outil est répertorié par Underwriters Laboratories, selon les normes américaines et canadiennes.
	Ce symbole indique que cet outil est répertorié par l'Association canadienne de normalisation.
	Ce symbole indique que cet outil est répertorié par l'Association canadienne de normalisation et qu'il est conforme aux normes américaines et canadiennes.
	Ce symbole indique que cet outil est répertorié par Intertek Testing et qu'il est conforme aux normes américaines et canadiennes.
	Ce symbole indique que cet outil est conforme aux normes mexicaines officielles (NOM).

APPRENEZ À CONNAÎTRE VOTRE MARTEAU PERFORATEUR

Perceuse à percussion sans balais et robuste de 20 V

Fig. 1



CARACTÉRISTIQUES TECHNIQUES

Tension nominale	20 V c.c.
Taille max. du mandrin	13 mm (1/2 po)
Vitesse à vide	De 0 à 550/0 à 2000 tours/minute
Température de fonctionnement recommandée :	de -10 à 40 °C (de 14 à 104 °F)
Température de rangement recommandée	de 0 à 40 °C (de 32 à 104 °F)

ASSEMBLAGE

Agrafe de ceinture amovible (Fig. 2)

Votre outil est équipé d'une agrafe de ceinture amovible pouvant être placée sur le côté gauche de l'outil pour un transport pratique.

Installez l'agrafe de ceinture sur l'outil :

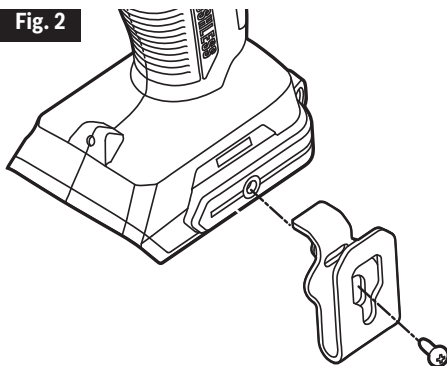
- Retirez le bloc-piles de l'outil.
- Alignez la nervure de l'agrafe de ceinture sur le trou fileté sur la base de l'outil.
- Insérez la vis et serrez-la à fond avec un tournevis.

Retirez l'agrafe de ceinture de l'outil :

- Retirez le bloc-piles de l'outil.
- utilisez un tournevis pour desserrer la vis qui attache l'agrafe de ceinture au marteau perforateur.
- Retirez la vis et l'agrafe de ceinture.

REMARQUE : Installez ou retirez l'agrafe de ceinture selon le cas.

Fig. 2



MODE D'EMPLOI

⚠ AVERTISSEMENT Pour réduire les risques d'incendie, de blessures corporelles et de détérioration de l'outil découlant d'un court-circuit, ne plongez jamais l'outil, le bloc-piles ou le chargeur dans un liquide et ne laissez aucun liquide s'écouler sur ceux-ci. Les liquides corrosifs ou conducteurs, tels que l'eau de mer, certains produits chimiques industriels, l'eau de javel, des produits contenant de l'eau de Javel, etc., peuvent causer un court-circuit.

⚠ AVERTISSEMENT S'il y a des pièces manquantes ou endommagées, ne tentez pas d'utiliser cet article tant que ces pièces n'auront pas été remplacées. L'utilisation de cet article avec des pièces endommagées ou manquantes peut causer des blessures graves.

⚠ AVERTISSEMENT Ne tentez pas de modifier cette perceuse-visseuse ou de créer des accessoires qui ne sont pas recommandés pour cette dernière. Toute modification est considérée comme un usage inapproprié et pourrait occasionner des risques allant jusqu'à des blessures graves.

⚠ AVERTISSEMENT Pour empêcher une mise en marche accidentelle pouvant causer des blessures graves, retirez toujours le bloc-piles de la perceuse-visseuse avant d'assembler des pièces.

Utilisez cette perceuse-visseuse sans fil uniquement avec les blocs-piles et les chargeurs indiqués ci-dessous :

Bloc-piles					Chargeur	
2Ah	2Ah	2.5Ah	4Ah	5Ah		
SKIL BY519701	SKIL BY519702	SKIL BY519703	SKIL BY519601	SKIL BY519603	SKIL SC535801	SKIL QC536001

AVIS: Veuillez consulter le manuel relatif aux blocs-piles et aux chargeurs pour davantage de détails au sujet du fonctionnement de l'outil.

Installation/retrait du bloc-piles

Verrouiller la gâchette à vitesse variable sur «OFF» en plaçant le sens de rotation (avant / Verrouillage central / inverseur) au centre position avant de fixer ou de détacher le batterie

Installation du bloc-piles :

Alignez la nervure en relief sur le bloc-piles sur les rainures de l'outil, puis faites glisser le bloc-piles sur l'outil (Fig. 3).

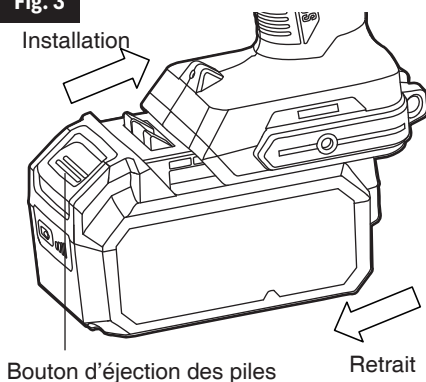
Retrait du bloc-piles :

Appuyez sur le bouton d'éjection du bloc-piles, situé sur le devant du bloc-piles, pour retirer le bloc-piles. Tirez sur le bloc-piles pour le détacher, et retirez-le de l'outil (Fig. 3).

REMARQUE : Lorsque vous placez le bloc-piles sur l'outil, assurez-vous que la nervure en relief sur le bloc-piles est alignée sur la rainure de l'outil et que les verrous se referment correctement. Une installation incorrecte du bloc-pile pourrait endommager les composants internes.

⚠ AVERTISSEMENT Les outils alimentés par des piles sont toujours prêts à fonctionner. Par conséquent, le bouton de verrouillage en position désactivée doit toujours être enfoncé et en position de verrouillage lorsque l'outil n'est pas utilisé ou lorsque vous êtes en train de le transporter.

Fig. 3



Sélecteur de sens de rotation (serrage/vissage, verrouillage au centre, desserrage/dévissage)

⚠ AVERTISSEMENT Lorsque vous avez terminé d'utiliser l'outil, placez le sélecteur de sens de rotation à la position « OFF » (arrêt), c'est-à-dire à la position de verrouillage au centre, pour aider à empêcher une mise en marche accidentelle pouvant causer des blessures graves.

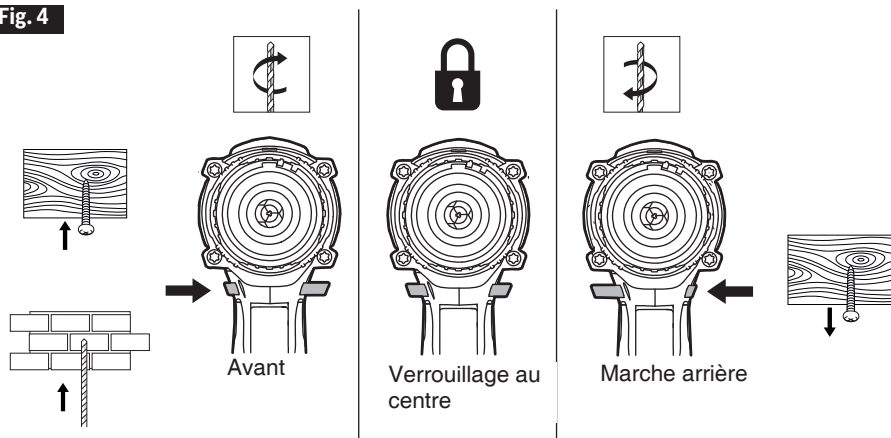
L'outil est muni d'un sélecteur de sens de rotation situé au-dessus de l'interrupteur. Ce sélecteur est conçu pour changer le sens de rotation du foret et pour verrouiller la gâchette à la position « OFF » (arrêt), c'est-à-dire à la position de verrouillage au centre (figure 4).

- Placez le sélecteur de sens de rotation à gauche de l'outil pour une rotation de serrage/vissage
- Placez le sélecteur de sens de rotation à droite de l'outil pour une rotation de desserrage/dévissage
- Placez l'interrupteur à la position « OFF » (arrêt) (verrouillage au centre) pour réduire les risques d'une mise en marche accidentelle lorsque la perceuse-visseuse n'est pas utilisée.

AVIS: Pour éviter d'endommager l'engrenage, attendez toujours l'arrêt complet de la perceuse-visseuse avant de modifier le sens de rotation.

AVIS: Marteau perforateur ne fonctionnera pas tant que le sélecteur de sens de rotation ne sera pas entièrement enclenché vers la gauche ou la droite. Verrouillage au centre

Fig. 4

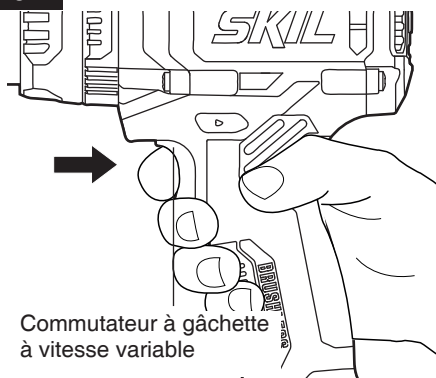


Commutateur à gâchette à vitesse variable (Fig. 5)

Votre outil est muni d'un interrupteur à gâchette à vitesse variable. L'outil peut être activé (ON) ou désactivé (OFF) en comprimant la gâchette ou en la relâchant.

L'interrupteur à gâchette à vitesse variable fournit une vitesse plus élevée en cas de pression accrue sur la gâchette et une vitesse plus basse en cas de pression réduite sur la gâchette.

Fig. 5

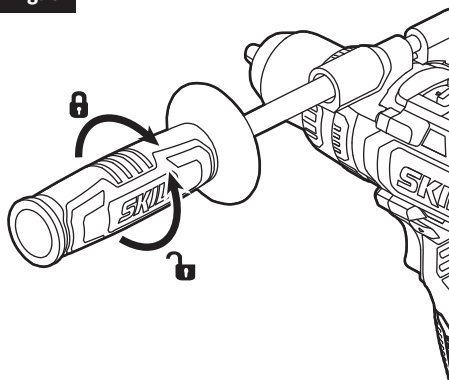


Poignée auxiliaire (Fig. 6)

Fixez la poignée auxiliaire sur la perceuse à percussion avant de commencer le travail. Pour serrer la poignée auxiliaire, tournez-la dans le sens des aiguilles d'une montre. Pour desserrer la poignée auxiliaire, tournez-la dans le sens inverse des aiguilles d'une montre.

⚠ AVERTISSEMENT Cet outil génère des couples élevés. N'utilisez jamais cet article sans la poignée auxiliaire afin d'éviter les accidents et les blessures! Assurez-vous toujours que la poignée auxiliaire est correctement installée et fixée avant d'utiliser l'article. La poignée auxiliaire procure une plus grande maîtrise de l'outil en cas de blocage soudain pendant l'utilisation, ce qui peut transmettre un couple important à l'utilisateur.

Fig. 6



Interrupteur de boîte à engrenages à deux vitesses (Fig. 7)

Votre outil est doté d'un interrupteur de boîte à engrenages à deux vitesses qui permet de régler la vitesse à LO (1) (vitesse faible) ou à HI (2) (vitesse élevée). Un interrupteur à glissière situé sur le dessus de l'outil permet de régler la vitesse à LO (1) (vitesse faible) ou à HI (2) (vitesse élevée).

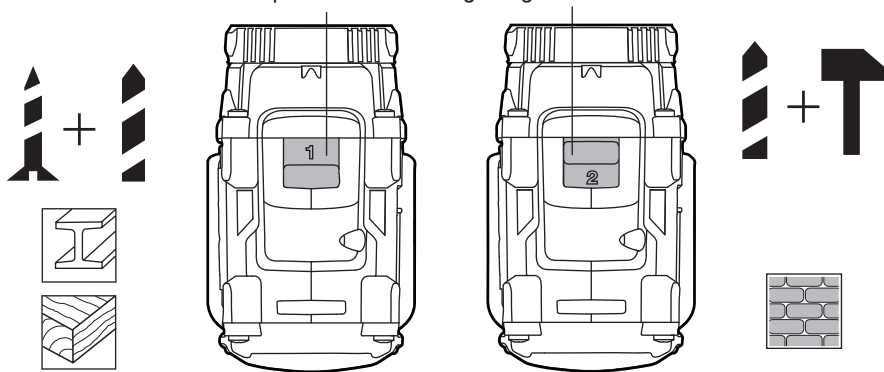
La vitesse faible (1) fournit un couple plus élevé et une vitesse de perçage plus lente pour visser des vis, percer de trous de grands diamètres ou tarauder. Utilisez la vitesse faible (1) pour amorcer des trous sans pointeau, pour percer le métal, le plastique ou la céramique, ou pour des utilisations nécessitant un couple plus élevé.

La vitesse élevée (2) fournit un couple plus faible et une rotation plus rapide pour le perçage à percussion et d'autres types de perçage moins exigeants. La vitesse élevée convient davantage au perçage du bois et du bois composite ou à une utilisation avec des accessoires de meulage ou de polissage.

AVIS : Pour éviter d'endommager les engrenages, attendez toujours l'arrêt complet de l'outil avant de modifier la vitesse.


Fig. 7

Interrupteur de boîte à engrenages à deux vitesses





Sélecteur de fonction et bague de réglage du couple (Fig. 8)

Votre outil comporte un sélecteur de fonction pour des applications variées. Déplacez le sélecteur et positionnez-le en fonction des besoins de votre tâche.

Votre outil comporte également 24 paramètres de réglage de l'embrayage pour la position de vissage . Le couple de sortie augmentera au fur et à mesure que vous ferez tourner la bague de réglage de l'embrayage depuis 1 vers 24. Lorsque vous enfoncez une vis, essayez d'abord la position de couple 1 et augmentez progressivement jusqu'à ce que le couple désiré soit atteint.

Le paramètre de réglage approprié dépend de la tâche à accomplir et du type de mèche, d'embout, d'attache ou de matériau que vous allez utiliser. En général, utilisez un couple plus élevé pour les grandes vis. Si le couple est trop élevé, les vis risqueront d'être endommagées ou cassées. Pour des opérations délicates telles que le retrait d'une vis partiellement déformée, utilisez un paramètre de couple plus faible.

Le paramètre de réglage sur le perçage/vissage  verrouillera l'embrayage afin de permettre un perçage ou un vissage pour les travaux difficiles (sans martelage).

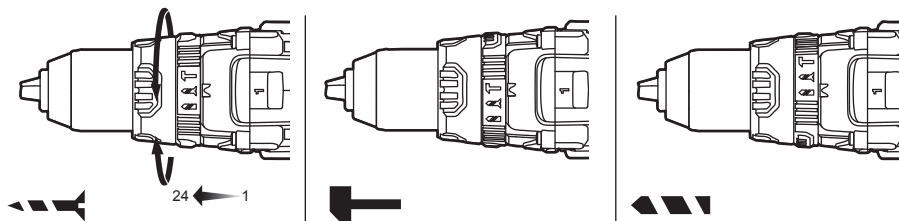
Le paramètre de réglage sur le perçage par marteau perforateur  verrouillera l'embrayage pour permettre le perçage par marteau perforateur uniquement.

REMARQUE : N'utilisez pas le paramètre de réglage sur le perçage par marteau perforateur pour percer du bois, du métal, de la céramique ou du plastique afin de ne pas risquer d'endommager la mèche ou l'embout.

⚠ MISE EN GARDE

N'ajustez pas le couple et ne changez pas de fonction pendant que l'outil est en marche.

Fig. 8



Lampe de travail à DEL (Fig. 9)

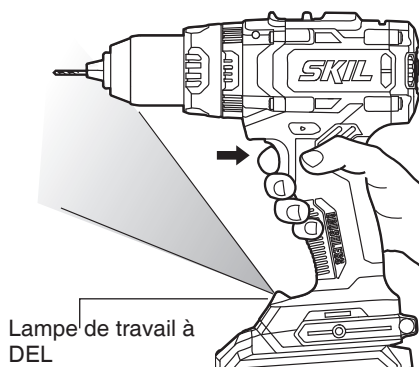
L'outil est doté d'une lampe de travail à DEL, située sur la base de l'outil et qui s'allume lorsque vous appuyez sur l'interrupteur à vitesse variable. Cette caractéristique offre un éclairage supérieur de la surface la pièce à travailler dans les zones moins éclairées.

La lampe de travail à DEL s'allume automatiquement à l'aide d'une légère pression sur l'interrupteur à vitesse variable avant le démarrage de l'outil, et s'éteint de 10 secondes après que vous avez relâché l'interrupteur à vitesse variable.

Lorsque l'outil ou le bloc-piles sont surchargés ou trop chauds, les capteurs internes éteignent l'outil. Si l'outil ou le bloc-piles sont surchargés, la lampe de travail à DEL clignote rapidement. Laissez l'outil refroidir pendant un moment ou placez l'outil et le bloc-piles, que vous aurez préalablement retiré, près d'un courant d'air pour qu'ils refroidissent.

Si la capacité du bloc-piles est faible, la lampe à DEL clignote lentement. Rechargez le bloc-piles.

Fig. 9



Installation et retrait des mèches/embouts (Fig. 10)

⚠ AVERTISSEMENT N'utilisez pas la puissance du marteau perforateur pendant que vous saisissez le mandrin pour desserrer ou serrer les mâchoires du mandrin sur la mèche/l'embout. Il existe un risque de brûlure en conséquence du frottement ou de blessure à la main si vous tentez de saisir un mandrin en train de tourner.

⚠ AVERTISSEMENT N'utilisez pas de mèches/d'embouts avec des tiges endommagées.

L'outil est doté d'un mandrin sans clé servant à serrer ou à desserrer les forets dans la mâchoire du mandrin. Les flèches sur le mandrin indiquent le sens dans lequel vous devez tourner le corps du mandrin pour VERROUILLER (serrer) ou DÉVERROUILLER (relâcher) la mâchoire sur le foret.

a. Verrouillez l'interrupteur de l'outil à la position « OFF » (arrêt) en plaçant le sélecteur de sens de rotation (serrage/ vissage, verrouillage au centre, desserrage/ dévissage) à la position centrale.

b. Retirez le bloc-piles et tournez la bague de réglage du couple au réglage de type perceuse

Pour installer le foret :

c. En maintenant l'ouverture du mandrin face à vous, tournez le corps du mandrin dans le sens contraire des aiguilles d'une montre jusqu'à ce que l'ouverture soit approximativement égale au diamètre du foret.

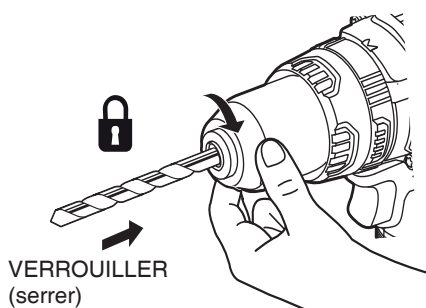
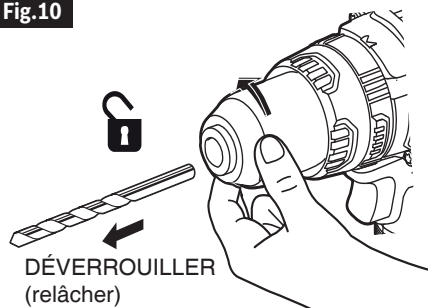
d. Petits forets: insérez un foret propre jusqu'à la hauteur des cannelures. Longs forets: insérez le foret aussi loin que possible. Fermez le mandrin en tournant le corps du mandrin dans le sens des aiguilles d'une montre, puis serrez-le fermement à la main

Pour retirer le foret :

e. Pour ouvrir le mandrin, tournez le corps du mandrin dans le sens contraire des aiguilles d'une montre tout en maintenant son extrémité face à vous.

f. Retirez le foret.

Fig.10



⚠ AVERTISSEMENT Portez des gants protecteurs lorsque vous retirez l'embout de l'outil ou laissez l'embout refroidir avant de le retirer. L'embout peut devenir chaud après une utilisation prolongée.

Forets

Assurez-vous toujours que les forets ne présentent pas d'usure excessive. Utilisez seulement des forets affûtés et en bon état.

Forets hélicoïdaux: disponibles avec tige droite et tige courte pour le perçage du bois et les petits travaux de perçage du métal. Les forets haute vitesse pénètrent plus rapidement dans les matériaux durs et ont une durée de vie plus longue lorsqu'utilisés avec ces mêmes matériaux.

Forets à pointe au carbure: Utilisés pour le perçage de la pierre, du béton, du plâtre, du ciment et d'autres matériaux exceptionnellement durs et non métalliques. Appliquez une pression ferme et constante lorsque vous utilisez des forets à pointe au carbure.

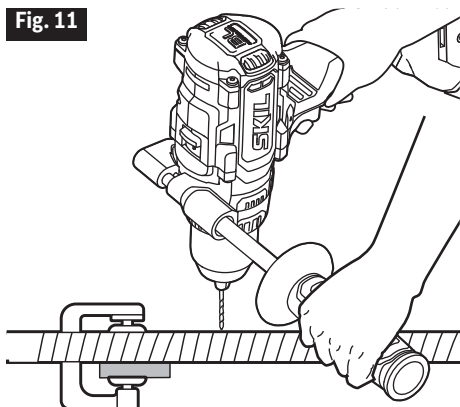
Perçage (Fig. 11)

⚠ AVERTISSEMENT Portez toujours des lunettes de sécurité ou des lunettes protectrices pourvues d'écrans latéraux lorsque vous utilisez un outil électrique ou projetez de la poussière. Portez aussi un masque antipoussière au besoin.

- Vérifiez le sélecteur de sens de rotation pour vous assurer d'avoir le bon réglage (serrage or desserrage).
- Fixez bien la pièce à percer dans un étau ou utilisez des dispositifs de serrage de façon à l'empêcher de tourner avec la rotation du foret.
- Tenez la perceuse fermement et placez le foret sur le point à percer.
- Appuyez sur l'interrupteur pour mettre l'outil en marche.
- Placez le foret sur la pièce, en exerçant une pression suffisante pour que le foret continue de percer. Ne forcez pas. Laissez l'outil accomplir la tâche.
- Lorsque vous percez des surfaces dures et lisses, utilisez un pointeau pour marquer l'emplacement voulu du trou. Ainsi, le foret n'aura pas tendance à glisser et à se décentrer au démarrage.
- Lorsque vous percez du métal, appliquez une huile légère sur le foret pour empêcher la surchauffe. L'huile prolongera la durée de vie du foret en plus d'augmenter l'action de perçage.
- Si le foret se bloque dans la pièce ou si la perceuse cesse de fonctionner, arrêtez l'outil immédiatement. Retirez le foret de la pièce, déterminez la raison du blocage, puis rectifiez la situation.

Deux règles s'appliquent au forage des matériaux durs. Premièrement, plus le matériau est dur, plus vous devez appliquer une pression sur l'outil. Deuxièmement, plus le matériau est dur, moins la vitesse doit être élevée. Si le trou à percer est relativement large, percez d'abord un trou plus petit, puis élargissez-le à la grosseur requise à l'aide d'un plus gros foret. Cette méthode s'avère souvent plus rapide.

Fig. 11

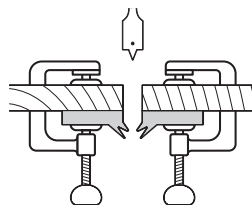
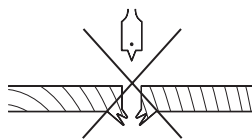


Au-dessus :

Fig. 12

Perçage dans le bois Pour un meilleur rendement, utilisez des forets en métal haute vitesse ou des avant-clous pour le perçage du bois.

- Commencez le perçage à vitesse très lente pour empêcher le foret de glisser à côté du point de départ.
- Augmentez la vitesse à mesure que le foret mord dans le matériau
- Lorsque vous percez des trous débouchants, placez un bloc de bois derrière la pièce pour empêcher la formation d'éclats ou de bords rabattus sur la partie arrière du trou (Fig. 12).



AVIS: Les forets peuvent surchauffer s'ils ne sont pas retirés plusieurs fois afin d'enlever les copeaux dans les cannelures.

Perçage dans le métal

Pour un rendement optimal lorsque vous percez du métal, utilisez des forets haute vitesse en acier.

- Lorsque vous percez du métal, appliquez une huile légère sur le foret pour empêcher la surchauffe. L'huile prolongera la durée de vie du foret en plus d'augmenter l'action de perçage.
- Commencez le perçage à vitesse très lente pour empêcher le foret de glisser à côté du point de départ.
- Gardez une vitesse et une pression permettant de couper sans faire surchauffer le foret. Une trop forte pression aura pour effet :
 - de faire surchauffer l'outil;
 - d'user les roulements;
 - de plier ou de brûler les forets;
 - de produire des trous décentrés ou de forme irrégulière.

Perçage dans la maçonnerie

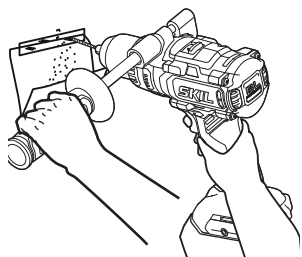
Pour un rendement optimal lorsque vous percez des trous dans de la brique, des carreaux, du béton, etc., utilisez des forets de maçonnerie à pointe en carbure.

- Gardez une vitesse et une pression permettant de couper sans faire surchauffer le foret ou l'outil. Une trop forte pression aura pour effet :
 - de faire surchauffer l'outil;
 - d'user les roulements;
 - plier ou de brûler les forets;
 - de créer des trous décentrés ou de forme irrégulière.
- Pour obtenir de meilleurs résultats en perçant de la brique, exercez une légère pression à une vitesse moyenne.
- Exercez une pression supplémentaire sur les matériaux durs, comme le béton.
- Lorsque vous percez des trous dans un carreau, exercez-vous d'abord sur une retaille pour déterminer la vitesse et la pression adéquates.

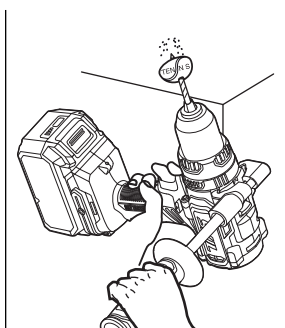
- Commencez le perçage à vitesse très lente pour empêcher le foret de glisser à côté du point de départ.

REMARQUE : La Fig. 13 montre quelques conseils pour diverses opérations de perçage.

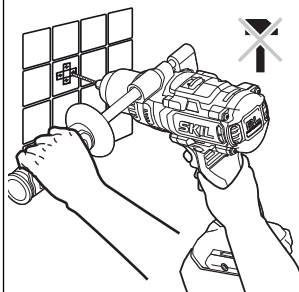
Fig. 13



Perçage dans les murs sans poussière



Perçage dans les plafonds sans poussière



Forer dans la maison sans déraper

Instalación de tuercas y pernos

⚠ AVERTISSEMENT Use siempre gafas o anteojos de seguridad con protectores laterales durante la operación de la herramienta eléctrica o al soplar el polvo. Si hay demasiado polvo durante la operación, use también una mascarilla antipolvo.

El control de velocidad variable debe usarse con precaución al instalar tuercas y pernos con accesorios para dados. La mejor técnica consiste en empezar lentamente y aumentar la velocidad a medida que la tuerca o el perno descienden. Ajuste la tuerca o el perno firmemente, bajando la velocidad del taladro hasta que se detenga. Si no se sigue este procedimiento, la herramienta tendrá una tendencia a torcerse en las manos cuando la tuerca o el perno se asienten.

Verrouillage automatique de l'axe

Le verrouillage automatique de l'axe vous permet d'utiliser l'outil comme un tournevis manuel. Vous pouvez ainsi tourner davantage une vis pour la serrer, desserrer une vis très serrée ou continuer à travailler alors que le bloc-piles est à plat. Le mandrin se verrouille automatiquement lorsque l'outil est éteint pour vous permettre d'utiliser l'outil comme un tournevis manuel.

ENTRETIEN

⚠ AVERTISSEMENT Pour éviter des blessures graves, retirez toujours le bloc-piles avant de procéder à l'entretien ou au nettoyage de l'outil.

Entretien

⚠ AVERTISSEMENT L'entretien préventif effectué par une personne non autorisée peut avoir comme résultat de déplacer les fils et les composants internes de l'outil, ce qui pourrait constituer un grave danger. Tout entretien d'outil devrait être effectué dans un centre de service de l'usine de SKIL ou un centre de service autorisé de SKIL.

Entretien général

⚠ AVERTISSEMENT Lorsque vous procédez à l'entretien de l'outil, utilisez uniquement des pièces de remplacement identiques à celles d'origine. L'utilisation de toute autre pièce pourrait endommager l'outil ou être une source de danger.

Inspectez périodiquement l'intégralité de l'article pour y déceler des pièces endommagées, manquantes ou lâches telles que des vis, des écrous, des boulons, des capuchons, etc. Resserrez fermement toutes les fixations et tous les capuchons et ne faites pas fonctionner cet article tant que toutes les pièces manquantes ou endommagées n'ont pas été remplacées. Veuillez communiquer avec le service à la clientèle ou avec un centre de service autorisé pour obtenir de l'aide.

Retrait du mandrin (Fig. 14)

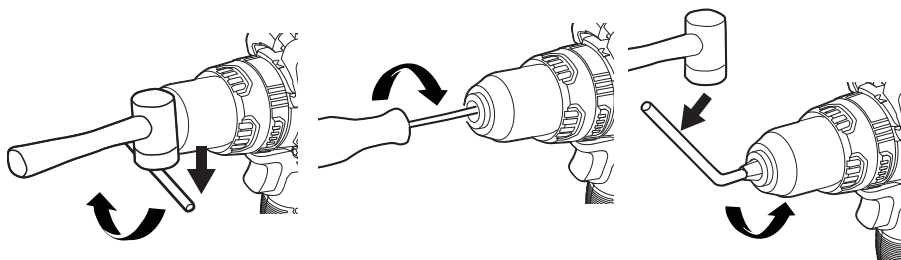
Le mandrin peut être retiré et remplacé par un nouveau mandrin.

- a. Verrouillez l'interrupteur à gâchette à vitesse variable en plaçant le sélecteur de sens de rotation dans la position centrale, et retirez le bloc-piles. Mettez l'outil dans la position de perçage.
- b. Ouvrez les mâchoires du mandrin.
- c. Insérez une clé hexagonale de 5/16 po ou plus (non incluse) dans le mandrin de l'outil et serrez fermement les mâchoires du mandrin.
- d. Tapez très fort sur la clé hexagonale avec un maillet (non inclus) dans le sens des aiguilles d'une montre. Ceci desserrera la vis dans le mandrin pour faciliter son retrait.
- e. Ouvrez les mâchoires du mandrin et retirez la clé hexagonale. À l'aide d'un tournevis à pointe cruciforme (non fourni), retirez la vis du mandrin en la faisant tourner dans le sens des aiguilles d'une montre.

REMARQUE : La vis du mandrin a un filet orienté vers la gauche.

- f. Insérer la clé hexagonale dans le mandrin et serrer fermement les mâchoires du mandrin. Tapez fortement avec un maillet dans le sens antihoraire. Cela va desserrer le mandrin sur la broche. Il peut maintenant être dévissé à la main.

Fig. 14



Comment resserrer un mandrin mal assujéti

Le mandrin peut se desserrer sur la broche et développer une oscillation. De plus, la vis du mandrin peut se desserrer, ce qui provoque le grippage des mâchoires du mandrin et les empêche de se fermer.

Pour resserrer une vis de mandrin ou un mandrin desserré :

- Verrouillez l'interrupteur à gâchette à vitesse variable en plaçant le sélecteur de sens de rotation dans la position centrale.
- Ouvrez les mâchoires du mandrin.
- Insérez une clé hexagonale (non incluse) dans le mandrin et serrez fermement les mâchoires du mandrin. Tapez très fort sur la clé hexagonale avec un maillet (non inclus) dans le sens des aiguilles d'une montre. Ceci serrera le mandrin sur la broche.
- Ouvrez les mâchoires du mandrin et retirez la clé hexagonale.
- Utilisez un tournevis à pointe cruciforme (non fourni) pour faire tourner la vis du mandrin dans le sens contraire des aiguilles d'une montre pour la serrer.

Nettoyage

⚠ AVERTISSEMENT L'utilisation d'air sec comprimé est la meilleure technique de nettoyage. **Portez toujours des lunettes de sécurité lorsque vous nettoyez des outils avec de l'air comprimé.** Les orifices de ventilation et les interrupteurs doivent être propres et exempts de toute substance étrangère. Ne tentez pas de nettoyer l'outil en insérant des objets pointus dans les ouvertures.

⚠ AVERTISSEMENT Certains agents nettoyants et solvants peuvent **endommager les pièces en plastique.** Notamment: l'essence, le tétrachlorure de carbone, les solvants nettoyants chlorés, l'ammoniaque et les détergents ménagers qui contiennent de l'ammoniaque.

Rangement

Rangez l'outil à l'intérieur dans un endroit inaccessible aux enfants. Rangez-le à l'écart des agents corrosifs.

RECHERCHE DE LA CAUSE DES PROBLÈMES

Problème	Cause	Remède
L'outil ne démarre pas.	<ol style="list-style-type: none">1. Le bloc-piles est déchargé.2. L'outil est surchargé.3. La température du bloc-piles est excessive.4. Le bloc-piles n'est pas installé correctement.5. L'interrupteur est grillé.	<ol style="list-style-type: none">1. Rechargez les piles.2. Ouvrez l'interrupteur à gâchette et réessayez.3. Éteignez l'outil et refroidissez le bloc-piles en faisant circuler de l'air tout autour.4. Confirmez que les piles sont bien verrouillées et assujetties à l'outil.5. Faites remplacer l'interrupteur par un Centre de service après-vente ou de réparation agréé de SKIL.
Vibrations excessives.	<ol style="list-style-type: none">1. L'accessoire utilisé est tordu ou endommagé.2. L'accessoire utilisé n'est pas bien assujetti dans le mandrin.3. Le mandrin est mal assujetti.	<ol style="list-style-type: none">1. Jetez l'accessoire utilisé et remplacez-le par un accessoire neuf.2. Référez-vous à la section de ce mode d'emploi consacrée à l'installation des mèches.3. Référez-vous à la section de ce mode d'emploi qui montre comment resserrer un mandrin mal assujetti.

GARANTIE LIMITÉE DE L'OUTIL SKIL

GARANTIE LIMITÉE DE 5 ANS

Chervon North America, Inc. (le « vendeur ») garantit à l'acheteur initial seulement que tous les OUTILS SKIL destinés à un usage résidentiel seront exempts de défauts de matériaux ou de fabrication pour une période de cinq ans à compter de la date d'achat si l'acheteur initial enregistre l'article dans les 30 jours suivant la date d'achat. LES PILES ET LES CHARGEURS sont garantis pour une période de 2 ans. L'enregistrement de l'article peut être effectué en ligne au www.Registermyskil.com. De plus, nous recommandons aux acheteurs initiaux de conserver leur reçu comme preuve d'achat. LA PÉRIODE DE GARANTIE DE CINQ ANS SUR LES OUTILS EST CONDITIONNELLE À L'ENREGISTREMENT DE L'ARTICLE DANS LES 30 JOURS SUIVANT LA DATE D'ACHAT. Si les acheteurs initiaux n'enregistrent pas leur article dans le délai prévu, la garantie limitée sur les outils électriques susmentionnée ne s'appliquera que pour une période de trois ans. Toutes les piles et tous les chargeurs demeureront couverts par la garantie limitée de deux ans.

Nonobstant les dispositions précédentes, si un outil SKIL destiné à un usage résidentiel est utilisé à des fins industrielles, professionnelles ou commerciales, la garantie susmentionnée ne s'appliquera que pour une période de quatre-vingt-dix (90) jours, que l'article ait été enregistré ou non.

LA SEULE OBLIGATION DU VENDEUR ET VOTRE RECOURS EXCLUSIF au titre de cette garantie limitée et, dans les limites permises par la loi, de toute garantie ou condition prévue par la loi, est la réparation ou le remplacement, sans frais, des pièces qui présentent un défaut matériel ou de fabrication, qui n'ont pas fait l'objet d'un usage abusif ou inapproprié et qui n'ont pas été réparées par des personnes autres que le vendeur ou un technicien d'un centre de service autorisé. Pour effectuer une réclamation au titre de la présente garantie limitée, vous devez retourner, port payé, l'article en entier à un centre de service de l'usine de SKIL ou à un centre de service autorisé. Pour communiquer avec un centre de service autorisé de SKIL Power Tools, veuillez visiter le www.Registermyskil.com ou composer le 1 877 SKIL-999 (1 877 754-5999).

CETTE GARANTIE LIMITÉE NE S'APPLIQUE PAS AUX ACCESSOIRES TELS QUE LES LAMES DE SCIE CIRCULAIRE, LES FORETS, LES FRAISES À TOUPIE, LES LAMES DE SCIE SAUTEUSE, LES COURROIES DE PONÇAGE, LES MEULES ET LES AUTRES ACCESSOIRES CONNEXES.

TOUTE GARANTIE IMPLICITE APPLICABLE À UN ARTICLE EST LIMITÉE À UNE DURÉE ÉGALE À LA DURÉE DES GARANTIES EXPRESSES APPLICABLES À UN TEL ARTICLE, COMME IL EST INDIQUÉ AU PREMIER PARAGRAPHE DE CETTE GARANTIE. CERTAINS ÉTATS DES ÉTATS-UNIS ET CERTAINES PROVINCES DU CANADA NE PERMETTENT PAS DE LIMITATIONS QUANT À LA DURÉE DES GARANTIES IMPLICITES, DE SORTE QUE LES LIMITATIONS INDIQUÉES CI-DESSUS PEUVENT NE PAS S'APPLIQUER À VOUS.

LE VENDEUR NE SERA EN AUCUN CAS TENU RESPONSABLE DES DOMMAGES ACCESSOIRES OU CONSÉCUTIFS (Y COMPRIS, SANS TOUTEFOIS S'Y LIMITER, DES PERTES DE PROFIT) RÉSULTANT DE LA VENTE OU DE L'USAGE DE CET ARTICLE. CERTAINS ÉTATS DES ÉTATS-UNIS ET CERTAINES PROVINCES DU CANADA NE PERMETTENT PAS L'EXCLUSION OU LA LIMITATION DES DOMMAGES ACCESSOIRES OU CONSÉCUTIFS, DE SORTE QUE LA LIMITATION OU L'EXCLUSION SUSMENTIONNÉE POURRAIT NE PAS S'APPLIQUER À VOUS.

CETTE GARANTIE LIMITÉE VOUS CONFÈRE DES DROITS PRÉCIS. IL EST POSSIBLE QUE VOUS DISPOSIEZ ÉGALEMENT D'AUTRES DROITS, QUI VARIENT D'UN ÉTAT, D'UNE PROVINCE OU D'UN PAYS À L'AUTRE.

CETTE GARANTIE LIMITÉE S'APPLIQUE UNIQUEMENT AUX ARTICLES VENDUS AUX ÉTATS-UNIS D'AMÉRIQUE, AU CANADA ET À L'ÉTAT LIBRE DE PORTO RICO. POUR CONNAÎTRE LA COUVERTURE DE LA GARANTIE DANS D'AUTRES PAYS, VEUILLEZ COMMUNIQUER AVEC VOTRE DÉTAILLANT OU IMPORTATEUR SKIL LOCAL.

© Chervon North America, 1203 E. Warrenville Rd, Naperville, IL 60563.

01/19

ÍNDICE

Advertencias de seguridad general en el manejo de herramientas eléctricas	50-52
Advertencias de seguridad en el manejo del martillo perforador	52-53
Símbolos	54-57
CONOZCA su martillo perforador	58
Especificaciones	58
Ensamblaje	59
Instrucciones de funcionamiento	59-68
Mantenimiento	69-70
Solución de problemas	71
Garantía limitada de la herramienta inalámbrica SKIL	72-73

ADVERTENCIA

- Parte del polvo causado por el lijado eléctrico, el serruchado, la trituración, el taladrado y otras actividades de fabricación contiene productos químicos reconocidos por el estado de California como causantes de cáncer, defectos congénitos u otros daños en el aparato reproductivo. Algunos ejemplos de estas sustancias químicas son los siguientes:
 - Plomo de pinturas a base de plomo.
 - Sílice cristalina de ladrillos, cemento y otros productos de mampostería.
 - Arsénico y cromo de madera tratada con químicos.
- El riesgo que corre debido a la exposición a estos productos químicos varía según la frecuencia con que realiza este tipo de trabajo. Para reducir la exposición a estas sustancias químicas:
 - Trabaje en un área bien ventilada.
 - Trabaje con equipo de seguridad aprobado, como las mascarillas antipolvo especialmente diseñadas para filtrar partículas microscópicas.
 - Evite estar en contacto prolongado con el polvo provocado por el lijado, el aserrado, la trituración y el taladrado, y otras actividades de construcción. Use ropa protectora y lave todas las áreas expuestas del cuerpo con agua y jabón. Dejar que entre polvo en la boca o en los ojos, o dejarlo en contacto con la piel puede fomentar la absorción de químicos nocivos.

ADVERTENCIAS DE SEGURIDAD GENERAL EN EL MANEJO DE HERRAMIENTAS ELÉCTRICAS

⚠ ADVERTENCIA Lea todas las advertencias, instrucciones, ilustraciones y especificaciones de seguridad que se proporcionan junto con esta herramienta eléctrica. No seguir todas las instrucciones que se detallan a continuación podría provocar descargas eléctricas, incendios o lesiones graves.

GUARDE TODAS LAS ADVERTENCIAS Y LAS INSTRUCCIONES PARA CONSULTAR EN EL FUTURO.

El término “herramienta eléctrica” que aparece en las advertencias se refiere a la herramienta eléctrica que se conecta a la línea principal (con cable) o a la herramienta eléctrica que funciona con batería (inalámbrica).

Seguridad en el área de trabajo

Mantenga el área de trabajo limpia y bien iluminada. Las áreas desordenadas y oscuras pueden provocar accidentes.

No utilice herramientas eléctricas en atmósferas donde exista riesgo de explosión, como por ejemplo, en presencia de líquidos, gases o polvo inflamables. Las herramientas eléctricas producen chispas que podrían encender el polvo o humo.

Mantenga a los niños y transeúntes alejados mientras opera una herramienta eléctrica. Las distracciones pueden hacerle perder el control.

Seguridad eléctrica

Los enchufes de las herramientas eléctricas deben coincidir con el tomacorriente. Nunca modifique el enchufe de ningún modo. No utilice ningún enchufe adaptador con herramientas eléctricas con puesta a tierra. Los enchufes sin modificaciones y que encajan en los tomacorrientes reducen el riesgo de descarga eléctrica.

Evite el contacto corporal con las superficies con conexión a tierra, como tuberías, radiadores, estufas y refrigeradores. Existe un riesgo adicional de descarga eléctrica si su cuerpo tiene puesta a tierra.

No exponga las herramientas eléctricas a la lluvia o a condiciones de humedad. Si ingresa agua en una herramienta eléctrica, el riesgo de descarga eléctrica aumentará.

No maltrate el cable. Nunca use el cable para transportar, jalar ni desenchufar la herramienta eléctrica. Mantenga el cable alejado del calor, el aceite, los bordes filosos o las piezas en movimiento. Los cables dañados o enredados aumentan el riesgo de descarga eléctrica.

Cuando utilice una herramienta eléctrica en exteriores, use una extensión eléctrica adecuada para uso en exteriores. El uso de una extensión para uso en exteriores reduce el riesgo de electrocución.

Si debe utilizar una herramienta eléctrica en un área húmeda, use un suministro protegido con un interruptor de circuito de falla de puesta a tierra (GFCI, por sus siglas en inglés). El uso de un interruptor GFCI disminuye el riesgo de descarga eléctrica.

Seguridad personal

Manténgase atento, mire lo que está haciendo y aplique el sentido común cuando utilice una herramienta eléctrica. No utilice una herramienta eléctrica si está cansado o bajo los efectos de drogas, alcohol o medicamentos. Un momento de desatención mientras opera herramientas eléctricas puede provocar lesiones personales graves.

Use un equipo de protección personal. Use siempre lentes de protección. Los equipos de protección, como mascarillas antipolvo, zapatos de seguridad antideslizantes, cascos protectores o protección auditiva, utilizados para las condiciones adecuadas, disminuyen el riesgo de lesiones personales.

Evite un arranque accidental. Asegúrese de que el interruptor esté en la posición de apagado antes de conectar la herramienta a la fuente de alimentación o la batería, o antes de levantarla o transportarla. Transportar herramientas eléctricas con el dedo en el interruptor o enchufar herramientas eléctricas que tienen el interruptor encendido aumenta las posibilidades de sufrir accidentes.

Retire toda llave de tuercas o herramienta de ajuste antes de encender la herramienta eléctrica. Si se deja una llave conectada a una pieza giratoria de la herramienta eléctrica, se podrían producir lesiones personales.

No trate de llegar más allá de donde alcance. Mantenga una postura y un equilibrio adecuados en todo momento. Esto permite un mejor control de la herramienta eléctrica en situaciones inesperadas.

Use la ropa indicada. No use ropa holgada ni joyas. Mantenga el cabello y la ropa lejos de las piezas en movimiento. La ropa holgada, las joyas o el cabello largo pueden quedar atrapados en las piezas en movimiento.

Si se proporcionan dispositivos para la conexión de aparatos de extracción y recolección de polvo, asegúrese de que estén conectados y de que se usen correctamente. La recolección de polvo puede disminuir los peligros relacionados con el polvo.

No permita que la familiaridad del uso frecuente de las herramientas lo haga no tener en cuenta los principios de seguridad de las herramientas. Un descuido puede ocasionar una lesión grave en cuestión de segundos.

Uso y cuidado de las herramientas eléctricas

No fuerce la herramienta eléctrica. Utilice la herramienta eléctrica adecuada para su tarea. La herramienta eléctrica adecuada realizará un trabajo más seguro y de mejor calidad al ritmo para el que se diseñó.

No use la herramienta eléctrica si el interruptor no la enciende o la apaga. Cualquier herramienta eléctrica que no pueda controlarse con el interruptor es peligrosa y debe repararse.

Desconecte el enchufe de la fuente de alimentación o retire el paquete de baterías de la herramienta eléctrica (si es posible) antes de realizar cualquier ajuste, cambiar accesorios o almacenar herramientas eléctricas. Este tipo de medidas de seguridad preventivas reduce el riesgo de arranques accidentales de la herramienta eléctrica.

Guarde las herramientas eléctricas que no se utilizan fuera del alcance de los niños y no permita que las utilicen personas que no estén familiarizadas con esta herramienta o con estas instrucciones. Las herramientas eléctricas son peligrosas en manos de usuarios sin capacitación.

Realice mantenimiento a las herramientas eléctricas y a los accesorios. Revise si hay piezas móviles desalineadas o torcidas, si hay piezas rotas y cualquier otra condición que pueda afectar el funcionamiento de la herramienta eléctrica. Si se daña la herramienta eléctrica, hágala reparar antes de usarla. Muchos accidentes son producto del mantenimiento incorrecto de las herramientas eléctricas.

Mantenga las herramientas de corte afiladas y limpias. Las herramientas de corte que se mantienen adecuadamente, con sus bordes de corte afilados, son menos propensas a trabarse y son más fáciles de controlar.

Use la herramienta eléctrica, los accesorios, las brocas, etc. de acuerdo con estas instrucciones, considerando las condiciones de trabajo y el trabajo que desea realizar.

El uso de la herramienta eléctrica en operaciones distintas para las que fue diseñada podría crear una situación de peligro.

Mantenga los mangos y las superficies de agarre secos, limpios y sin aceite ni grasa.

Los mangos y las superficies de agarre húmedos no permiten una manipulación segura ni controlar la herramienta en situaciones inesperadas.

Uso y cuidado de herramientas con batería

Recárguela solo con el cargador que especifica el fabricante. Un cargador adecuado para un tipo de paquete de baterías puede crear un riesgo de incendio cuando se usa con otro paquete de baterías.

Use las herramientas eléctricas solo con los paquetes de baterías específicamente designados para ellas. El uso de cualquier otro paquete de baterías puede crear un riesgo de lesión e incendio.

Cuando el paquete de baterías no se use, manténgalo alejado de otros objetos metálicos, como sujetadores para papeles, monedas, llaves, clavos, tornillos u otros objetos de metal pequeños que puedan crear una conexión de un terminal al otro. La conexión de los terminales de la batería entre sí puede producir quemaduras o incendios.

En condiciones de uso indebido, puede salir líquido de la batería. Evite el contacto con este líquido. Si se produce un contacto accidental, enjuague con agua. Si el líquido entra en contacto con los ojos, solicite atención médica adicional. El líquido que sale de la batería puede provocar irritación o quemaduras.

No utilice un paquete de baterías ni una herramienta si están dañadas o modificadas.

Las baterías dañadas o modificadas pueden mostrar una conducta impredecible que ocasione incendios, explosiones o riesgo de lesión.

No exponga el paquete de baterías ni la herramienta al fuego o a una temperatura excesiva. La exposición al fuego o a temperaturas por encima de los 265 °F podría causar una explosión.

Siga todas las instrucciones de carga y no cargue el paquete de baterías ni las herramientas fuera del rango de temperatura especificado en las instrucciones. La carga inapropiada o a temperaturas por fuera del rango especificado podría dañar la batería y aumentar el riesgo de incendio.

Reparación

Permita que solo una persona capacitada repare la herramienta eléctrica, mediante el uso solo de piezas de repuesto idénticas. Esto mantendrá la seguridad de la herramienta eléctrica.

Nunca realice mantenimiento a los paquetes de batería. Solo el fabricante o los proveedores de servicio autorizados pueden realizar el mantenimiento de los paquetes de baterías.

ADVERTENCIAS DE SEGURIDAD EN EL MANEJO DEL MARTILLO PERFORADOR

Instrucciones de seguridad para todo tipo de operaciones:

Utilice protectores para los oídos cuando realice una perforación de impacto. La exposición al ruido puede causar pérdida de la audición.

Utilice el mango auxiliar. La pérdida de control puede causar lesiones personales.

Sostenga la herramienta eléctrica por las superficies de agarre aisladas cuando realice una operación en la que el accesorio de corte pueda entrar en contacto con el cableado oculto o su propio cable. Si el accesorio de corte entra en contacto con un cable con corriente puede provocar que las piezas metálicas expuestas de la herramienta eléctrica conduzcan corriente, lo que podría provocar una descarga eléctrica al operador.

Instrucciones de seguridad para el uso de brocas de taladro largas:

Nunca opere a una velocidad superior a la velocidad nominal máxima de la broca. A velocidades más altas, es probable que la broca se doble si se permite que gire libremente sin entrar en contacto con la pieza de trabajo, causando lesiones personales.

Empiece siempre a taladrar a baja velocidad y con la punta de la broca en contacto con la pieza de trabajo. A velocidades más altas, es probable que la broca se doble si se permite que gire libremente sin entrar en contacto con la pieza de trabajo, causando lesiones personales.

Aplique presión solo en línea directa con la broca y no aplique presión excesiva.





Las brocas pueden doblarse y causar roturas o pérdida del control, ocasionando lesiones personales.

SÍMBOLOS

Símbolos de seguridad

El fin de los símbolos de seguridad es alertarlo sobre posibles peligros. Los símbolos de seguridad y las explicaciones que se dan merecen su atención y comprensión cuidadosa. Las advertencias del símbolo no eliminan por sí mismas ningún peligro. Las instrucciones y las advertencias no sustituyen las medidas adecuadas de prevención de accidentes.

⚠ ADVERTENCIA Asegúrese de leer y de comprender todas las instrucciones de seguridad que se incluyen en este manual del propietario, incluidos todos los símbolos de alerta de seguridad, tales como "**PELIGRO**", "**ADVERTENCIA**" y "**PRECAUCIÓN**" antes de usar esta herramienta. Si no se siguen todas las instrucciones que figuran a continuación, se pueden producir electrocuciones, incendios y lesiones.

Las definiciones que se ofrecen a continuación describen el nivel de gravedad de cada símbolo. Lea el manual y preste atención a dichos símbolos.	
	Este es el símbolo de advertencia de seguridad. Se utiliza para advertirlo de los peligros de posibles lesiones personales. Cumpla con todos los mensajes de seguridad a continuación de este símbolo para evitar posibles lesiones o consecuencias fatales.
	PELIGRO indica una situación de peligro que, de no evitarse, ocasionará la muerte o lesiones graves.
	ADVERTENCIA indica una situación potencialmente peligrosa que, de no evitarse, puede ocasionar la muerte o lesiones graves.
	PRECAUCIÓN, se usa con el símbolo de advertencia de seguridad e indica una situación peligrosa que, de no evitarse, puede causar lesiones menores o moderadas.

Mensajes de prevención de daños e información

Estos entregan al usuario información importante o instrucciones que, si no se siguen, podrían ocasionar daños al equipo o a la propiedad. Cada mensaje está precedido por la palabra "AVISO", como en el siguiente ejemplo:









AVISO: Si no se siguen estas instrucciones se pueden producir daños al equipo o la propiedad.






⚠ ADVERTENCIA Durante el funcionamiento de cualquier herramienta eléctrica, pueden entrar objetos extraños a los ojos y causar graves daños oculares. Use siempre lentes o gafas de seguridad con protecciones laterales y, cuando sea necesario, un protector facial que cubra todo el rostro antes de comenzar a operar una herramienta eléctrica. Recomendamos usar una máscara de seguridad de visión amplia sobre los lentes o las gafas de seguridad estándar con protección lateral. Siempre use lentes de protección que cumplan con la norma ANSI Z87.1.

SÍMBOLOS (CONTINUACIÓN)

IMPORTANTE: Algunos de los siguientes símbolos pueden aparecer en sus herramientas. Obsérvelos y conozca su significado. La interpretación correcta de estos símbolos le permitirá utilizar la herramienta de manera eficaz y segura.

Símbolo	Nombre	Designación/Explicación
V	Voltios	Voltaje (potencial)
A	Amperios	Corriente
Hz	Hercios	Frecuencia (ciclos por segundo)
W	Vatios	Electricidad
kg	Kilogramos	Peso
min	Minutos	Tiempo
s	Segundos	Tiempo
Wh	Vatio por horas	Capacidad de la batería
Ah	Amperios por hora	Capacidad de la batería
∅	Diámetro	Tamaño de la broca para taladro, de los discos de pulido, etc.
n_0	Velocidad sin carga	Velocidad de rotación, sin carga
n	Rango de velocidad	Velocidad máxima alcanzable
.../min	Revoluciones o pasadas por minuto	Revoluciones, pasadas, velocidad de superficie, órbitas, etc. por minuto
0	Posición Off (Apagado)	Velocidad cero, torsión cero...
1,2,3,... I,II,III,	Configuraciones del selector	Configuraciones de la velocidad, la torsión o la posición. Un número más alto quiere decir mayor velocidad
	Selector de regulación continua con apagado	La velocidad aumenta desde la configuración 0
	Flecha	Acción en la dirección de la flecha
	Corriente alterna	Tipo o característica de corriente
	Corriente directa	Tipo o característica de corriente
	Corriente alterna o continua	Tipo o característica de corriente
	Herramienta de clase II	Designa herramientas para construcción de doble aislamiento.
	Terminal de tierra	Terminal de puesta a tierra
	Sello de iones de litio de RBRC	Designa el programa de reciclaje de baterías de iones de litio

Símbolo	Nombre	Designación/Explicación
	<p>Sello de níquel cadmio de RBRC</p>	<p>Designa el programa de reciclaje de baterías de níquel cadmio</p>
	<p>Símbolo de lectura del manual</p>	<p>Indica al usuario que lea el manual</p>
	<p>Símbolo de uso de lentes de protección</p>	<p>Siempre use gafas o lentes de seguridad con protecciones laterales y un protector facial que cubra todo el rostro cuando opere este producto.</p>

SÍMBOLOS (INFORMACIÓN DE CERTIFICACIÓN)

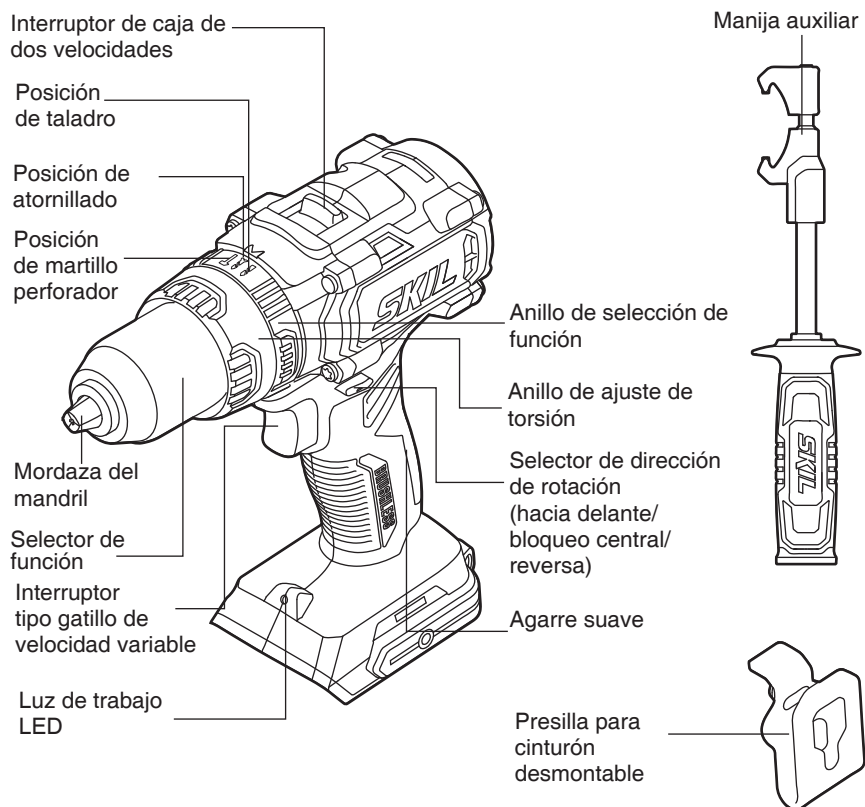
IMPORTANTE: algunos de los siguientes símbolos de información de certificación pueden aparecer en sus herramientas. Obsérvelos y conozca su significado. La interpretación correcta de estos símbolos le permitirá utilizar mejor esta herramienta y de manera más segura.

	Este símbolo designa que esta herramienta está incluida en la lista de Underwriters Laboratories.
	Este símbolo designa que esta herramienta es reconocida por Underwriters Laboratories.
	Este símbolo designa que esta herramienta está incluida en la lista de Underwriters Laboratories, conforme a las normas de Estados Unidos y Canadá.
	Este símbolo designa que esta herramienta está incluida en la lista de Canadian Standards Association.
	Este símbolo designa que esta herramienta está incluida en la lista de Canadian Standards Association, conforme a las normas de Estados Unidos y Canadá.
	Este símbolo designa que esta herramienta está incluida en la lista de Intertek Testing Services, conforme a las normas de Estados Unidos y Canadá.
	Este símbolo designa que esta herramienta cumple con las normas NOM de México.

CONOZCA SU MARTILLO PERFORADOR

Martillo perforador sin escobillas de 20 V para trabajos pesados

Fig. 1



ESPECIFICACIONES

Rango de voltaje	20V CC
Tamaño máximo del portabrocas	1/2"(13mm)
Velocidad sin carga	0 - 550 / 0 - 2000 /min
Temperatura de trabajo recomendada	14-104 °F (-10-40 °C)
Temperatura de almacenamiento recomendada	32-104 °F (0-40 °C)

ENSAMBLAJE

Presilla para cinturón desmontable (Fig. 2)

La herramienta está equipada con una presilla para cinturón desmontable, que puede colocarse en el lado izquierdo de la herramienta para un transporte cómodo.

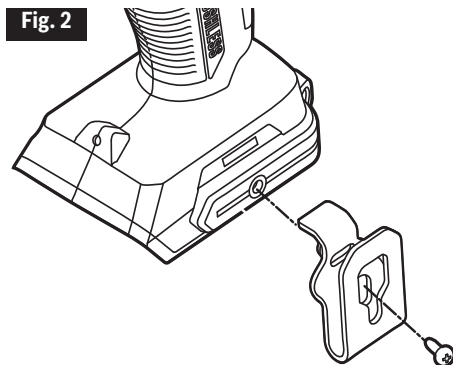
Instale la presilla para cinturón en la herramienta:

- Retire el paquete de baterías de la herramienta.
- Alinee la pestaña de la presilla para cinturón con el orificio roscado en la base de la herramienta.
- Coloque el tornillo y apriételo firmemente con un destornillador.

Retire la presilla para cinturón de la herramienta:

- Retire el paquete de baterías de la herramienta.
- Utilice un destornillador para aflojar el tornillo que fija la presilla para cinturón al martillo perforador.
- Retire el tornillo y la presilla para cinturón.

AVISO: instale o retire la presilla para cinturón, según lo que necesite.



INSTRUCCIONES DE FUNCIONAMIENTO

⚠ ADVERTENCIA Para reducir el riesgo de incendios, lesiones personales y daños al producto por un cortocircuito, nunca sumerja la herramienta, el paquete de baterías ni el cargador en líquidos ni permita que los líquidos ingresen a estos. Los líquidos corrosivos o conductores, como el agua de mar, algunos productos químicos industriales y el blanqueador o los productos que contienen blanqueador, pueden generar un cortocircuito.

⚠ ADVERTENCIA Si hay piezas dañadas o faltantes, no utilice el producto hasta que las haya reemplazado. El uso de este producto con piezas dañadas o faltantes puede provocar lesiones personales graves.

⚠ ADVERTENCIA No intente modificar este taladro/destornillador ni usar accesorios que no estén recomendados para esta herramienta.

Cualquier alteración o modificación representa un uso inadecuado y puede generar situaciones peligrosas que causen posibles lesiones graves.

⚠ ADVERTENCIA Para evitar un arranque accidental, que puede causar lesiones graves personales, siempre retire el paquete de baterías del taladro/destornillador al ensamblar las piezas.

Este taladro/destornillador inalámbrico se debe usar solamente con los paquetes de baterías y el cargador que se indican a continuación:

Paquete de baterías					Cargador	
2Ah	2Ah	2.5Ah	4Ah	5Ah		
SKIL BY519701	SKIL BY519702	SKIL BY519703	SKIL BY519601	SKIL BY519603	SKIL SC535801	SKIL QC536001

AVISO: consulte el manual de la batería y del cargador para obtener información detallada sobre el funcionamiento.

Cómo fijar y retirar el paquete de baterías

Bloquee el interruptor de gatillo de velocidad variable "OFF" colocando la dirección de rotación (adelante / Selector central / inverso) en el centro posición antes de colocar o desmontar la paquete de baterías.

Para conectar el paquete de baterías:

Alinee la aleta elevada del paquete de baterías con las ranuras en la herramienta y, luego, deslice el paquete de baterías en la herramienta (Fig. 3).

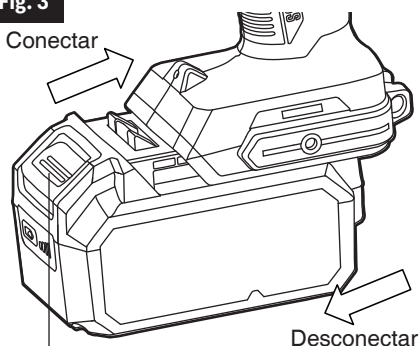
Para desconectar el paquete de baterías:

Para retirar el paquete de baterías, presione el botón de liberación de la batería que está ubicado en el frente del paquete de baterías. Jale el paquete de baterías y sáquelo de la herramienta (Fig. 3).

AVISO: al colocar el paquete de baterías en la herramienta, asegúrese de que la aleta elevada del paquete de baterías esté alineada con la ranura de la herramienta y de que los pestillos encajen en su lugar de manera correcta. La conexión inadecuada del paquete de baterías puede provocar daños a los componentes internos.

⚠ ADVERTENCIA Las herramientas a batería siempre están en condiciones de funcionamiento. Por este motivo, el botón de bloqueo debe estar siempre presionado en la posición de bloqueo cuando la herramienta no esté en uso o cuando la traslade a su lado.

Fig. 3



Botón de liberación de la batería

Selector de dirección de rotación (hacia delante/bloqueo central/reversa)

⚠ ADVERTENCIA Después de utilizar la herramienta, bloquee el selector de dirección de rotación en la posición "APAGADO" (bloqueo central) para evitar arranques accidentales y posibles lesiones graves.

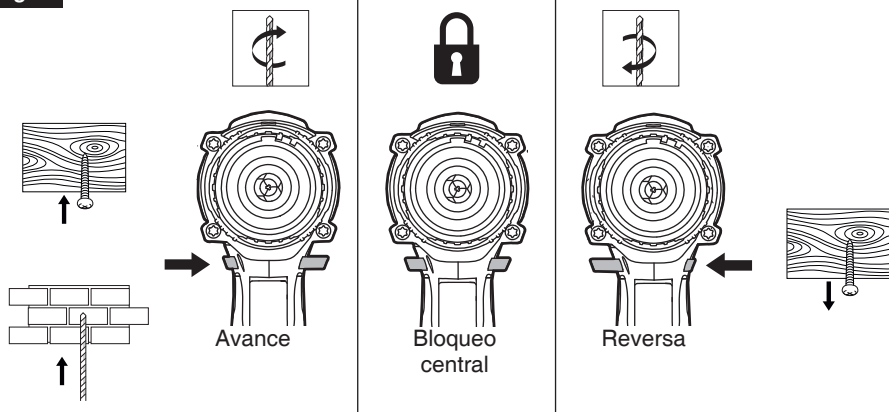
La herramienta está equipada con un selector de dirección de rotación que está ubicado arriba del interruptor tipo gatillo. Este selector está diseñado para cambiar el sentido de rotación de la broca y para bloquear el gatillo en la posición "APAGADO" (bloqueo central) (Fig. 4).

- Coloque el selector de dirección de rotación (C) a la izquierda de la herramienta para que gire hacia delante.
- Coloque el selector de dirección de rotación a la derecha de la herramienta para que gire en reversa.
- Posicione el interruptor en la posición "APAGADO" (bloqueo central) para reducir la posibilidad de arranque accidental cuando la herramienta no se esté usando.

AVISO: Para evitar el daño en las velocidades, siempre deje que el taladro/destornillador se detenga por completo antes de cambiar la dirección de la rotación.

AVISO: El martillo perforador no funciona a menos que el selector de dirección de rotación esté completamente posicionado a la izquierda o la derecha.

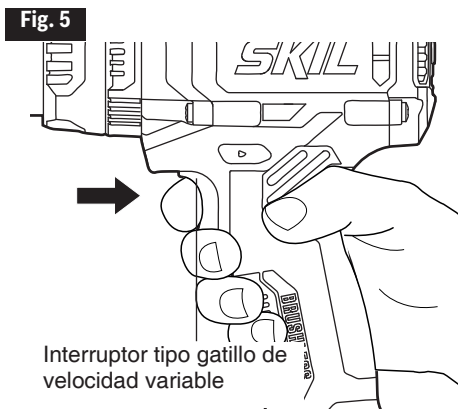
Fig. 4



Interruptor tipo gatillo de velocidad variable (Fig. 5)

Su herramienta está equipada con un interruptor tipo gatillo de velocidad variable. La herramienta se puede ENCENDER o APAGAR al presionar o soltar el gatillo, respectivamente.

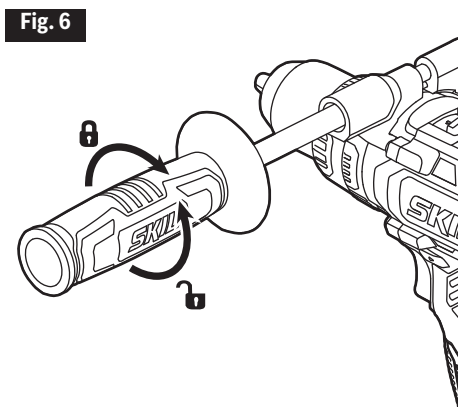
El interruptor tipo gatillo de velocidad variable proporciona mayor velocidad al ejercer mayor presión en el gatillo y menor velocidad al ejercer menor presión en el gatillo.



Mango auxiliar (Fig. 6)

Asegure el mango auxiliar al martillo perforador antes de empezar a trabajar. Para sujetar el mango auxiliar, gírelo en dirección de las manecillas del reloj. Para aflojar el mango auxiliar, gírelo en dirección contraria a las manecillas del reloj.

⚠ ADVERTENCIA Esta herramienta produce niveles altos de torsión. Nunca utilice esta herramienta sin el mango auxiliar para evitar accidentes y lesiones. Asegúrese siempre de que el mango auxiliar esté firmemente asegurado antes de poner la herramienta en funcionamiento. El mango auxiliar aporta un mejor control de la herramienta en caso de que se atasque de manera repentina durante el uso cuando se libera fuerza considerablemente.



Interruptor de caja de dos velocidades (Fig. 7)

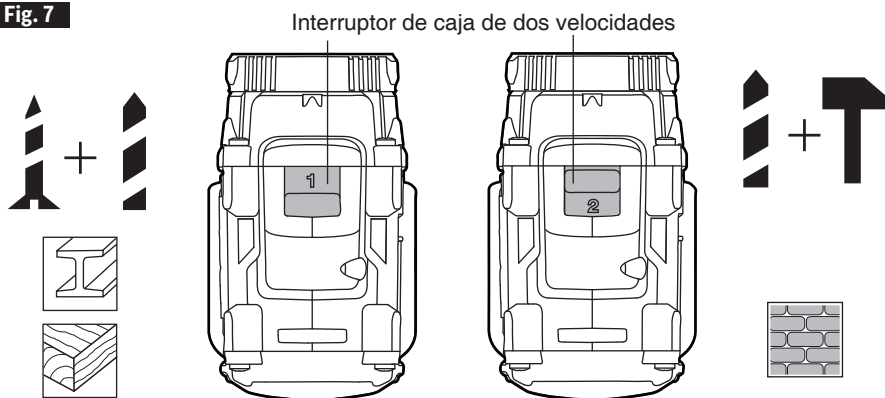
La herramienta está equipada con una caja de dos velocidades, diseñada para operar a velocidad baja (1) o alta (2). En la parte superior de la herramienta, se encuentra un interruptor deslizante para seleccionar la velocidad baja (1) o alta (2).

La velocidad baja (1) proporciona una torsión mayor y velocidades más lentas para realizar trabajos pesados, aflojar o ajustar tornillos, perforar orificios de diámetro grande o realizar roscados. Use la velocidad baja (1) para hacer orificios sin un punzón centrador, taladrar metales, plásticos o cerámica, o en aplicaciones que requieran una torsión mayor.

La velocidad alta (2) proporciona una torsión menor y velocidades más rápidas para trabajos con martillo perforador o tareas de perforación más ligeras. La velocidad alta es mejor para taladrar madera y compuestos de madera y para usar accesorios abrasivos y pulidores.

AVISO: para evitar que los engranajes se dañen, siempre deje que la herramienta se detenga por completo antes de cambiar entre las velocidades alta y baja.

Fig. 7



Selector de funciones y anillo de ajuste de torsión (Fig. 8)

La herramienta está equipada con un selector de funciones para varias aplicaciones. Mueva el selector según los requisitos de la tarea.

La herramienta también dispone de 24 ajustes de embrague para la posición de atornillado . La torsión de salida aumentará al girar el anillo del embrague de 1 a 24. Al introducir un tornillo, primero pruebe la posición de torsión 1 y aumente hasta alcanzar la torsión que desea.

La configuración correcta depende del trabajo y del tipo de broca, sujetador y material que utilice. En general, use una fuerza de torsión mayor para tornillos más grandes. Si la torsión es demasiado elevada, los tornillos podrían dañarse o quebrarse. Para operaciones delicadas, como quitar un tornillo parcialmente dañado, utilice un ajuste de torsión baja.

El ajuste de taladro bloqueará el embrague para permitir la perforación (sin martillo) o el ajuste de tornillos para trabajos pesados.

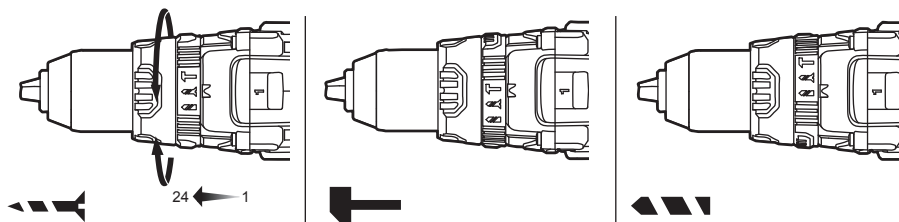
El ajuste de martillo perforador bloqueará el embrague para permitir solamente la función de martillo perforador.

AVISO: para evitar que la broca o punta del taladro/destornillador se dañe, no utilice el ajuste de martillo perforador para taladrar en madera, metal, cerámica o plástico.

⚠ PRECAUCIÓN

No ajuste la torsión ni cambie de función cuando la herramienta esté en funcionamiento.

Fig. 8



Luz de trabajo LED (Fig. 9)

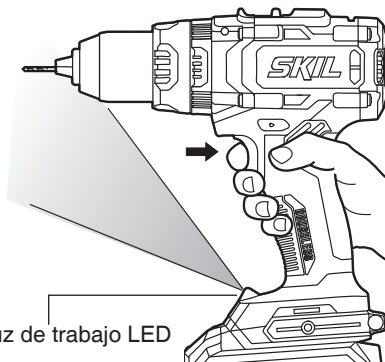
La herramienta está equipada con una luz de trabajo LED, ubicada en la base de la herramienta, que se enciende al apretar el interruptor tipo gatillo de velocidad variable. Esto proporciona una iluminación adicional sobre la superficie de la pieza de trabajo si se utiliza la herramienta en lugares con poca iluminación. otras zonas.

La luz de trabajo LED se enciende automáticamente con una ligera presión en el interruptor tipo gatillo de velocidad variable antes de que la herramienta comience a funcionar y se apaga de 10 segundos después de soltar el interruptor.

Si la herramienta y/o el paquete de baterías se sobrecargan o se calientan demasiado, los sensores internos apagarán la herramienta. Si la herramienta o el paquete de baterías se sobrecargan, la luz de trabajo LED destellará rápidamente. Deje de usar la herramienta por un momento o coloque la herramienta y el paquete de baterías por separado cerca de una corriente de aire para que se enfríen.

La luz de trabajo LED destellará de forma más pausada para indicar que la capacidad de la batería está baja. Recargue el paquete de baterías.

Fig. 9



Instalación y extracción de brocas (Fig. 10)

⚠ ADVERTENCIA No utilice la potencia del taladro mientras sujeta el portabrocas para aflojar o apretar las mordazas del portabrocas en la broca.

Es posible que se produzcan quemaduras por fricción o lesiones en la mano si se intenta agarrar el portabrocas mientras está girando.

⚠ ADVERTENCIA No use brocas con vástagos dañados.

La herramienta está equipada con un portabrocas sin llave para apretar o aflojar las brocas en las mordazas del portabrocas. Las flechas en el portabrocas señalan la dirección en la que se debe girar el cuerpo del portabrocas para BLOQUEAR (ajustar) o DESBLOQUEAR (liberar) las mordazas del portabrocas en la broca.

- Bloquee el interruptor tipo gatillo de velocidad variable en la herramienta en la posición "APAGADO" al colocar el selector de dirección de rotación en la posición central.
- Retire el paquete de baterías y seleccione la posición de taladro.

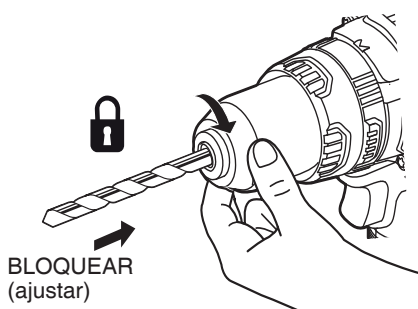
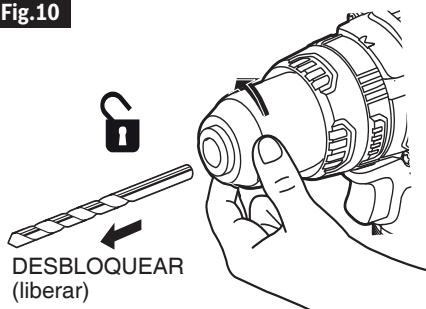
Para instalar la broca:

- Gire el cuerpo del portabrocas en dirección contraria a las manecillas del reloj, con respecto al extremo del portabrocas, para abrir la pieza hasta aproximadamente el diámetro de la broca.
- Inserte una broca limpia hasta donde empiecen los canales de la broca, en el caso de brocas pequeñas, o bien hasta donde llegue la broca si esta es grande. Cierre el portabrocas; para ello, gírelo en dirección de las manecillas del reloj y apriételo firmemente con la mano.

Para extraer la broca:

- Gire el cuerpo del mandril en dirección contraria a las manecillas del reloj, con respecto al extremo del mandril, para abrir el mandril.
- Extraiga la broca.

Fig.10



⚠ ADVERTENCIA Use guantes protectores al retirar la broca de la herramienta o primero deje que la broca se enfríe. Es posible que la broca esté caliente después de un uso prolongado.

Brocas para taladro

Inspeccione siempre las brocas en busca de desgaste excesivo. Use solo brocas afiladas y en buen estado.

Brocas de torsión: disponible con vástagos rectos y reducidos para taladrar madera y metales ligeros. Las brocas de alta velocidad penetran más rápido y duran más en materiales duros.

Brocas con puntas de carburo: se usan para taladrar piedra, concreto, yeso, cemento y otros materiales no metálicos excepcionalmente duros. Cuando utilice brocas con punta de carburo, aplique una presión de alimentación continua y pesada.

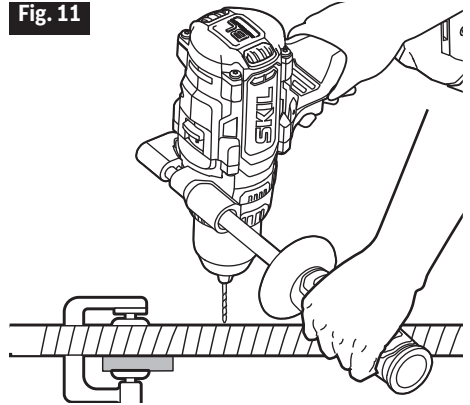
Taladrado (Fig. 11)

⚠ ADVERTENCIA Use siempre gafas o lentes de seguridad con protectores laterales durante la operación de la herramienta eléctrica o al soplar polvo. Si va a utilizar en condiciones de polvo, utilice una máscara.

- Verifique que el selector de dirección de rotación esté en el ajuste correcto (hacia delante o en reversa).
- Asegure el material a perforar en un tornillo de banco o con abrazaderas para mantenerlo firme y que no se voltee mientras la broca gira.
- Sostenga el taladro con firmeza y ubique la broca en el punto a perforar.
- Presione el interruptor tipo gatillo de velocidad variable para comenzar la perforación.
- Mueva la broca del taladro en la pieza de trabajo y ejerza solo la presión suficiente para mantener la broca en su lugar. No fuerce el taladro ni ejerza presión en los laterales para agrandar el orificio. Deje que este realice el trabajo.
- Cuando taladre en superficies lisas y duras, utilice un punzón centrador para marcar la ubicación deseada del orificio. Esto evitará que la broca para taladro se deslice fuera del centro cuando se empiece a taladrar el agujero.
- Cuando perfore metales, unte aceite ligero en la broca para taladro para evitar que se sobrecaliente. El aceite prolongará la vida útil de la broca y aumentará la acción de taladrado.
- Si la broca se atasca en la pieza de trabajo o si el taladro/destornillador se para, detenga la herramienta inmediatamente. Retire la broca de la pieza de trabajo y determine el motivo del atasco.

Hay dos reglas para taladrar materiales duros. La primera: cuanto más duro es el material, mayor es la presión que se debe aplicar a la herramienta. La segunda: cuanto más duro sea el material, más lenta debe ser la velocidad. Si el orificio a perforar es bastante grande, primero haga un orificio más pequeño y luego agrándelo hasta el tamaño requerido con una broca más grande. A la larga, este método suele ser más rápido.

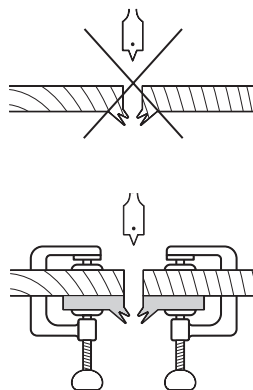
Fig. 11



Taladrado en madera

Para obtener el máximo rendimiento, use brocas de punta perforadora o de acero de alta velocidad para taladrar en madera.

Fig. 12



- Comience a taladrar a una muy baja velocidad para evitar que la broca se deslice hacia afuera del punto de inicio.
- Aumente la velocidad a medida que la broca del taladro penetre el material.
- Al taladrar "a través de" orificios, coloque un bloque de madera detrás de la pieza de trabajo para evitar bordes irregulares o astillados en la parte posterior del orificio (Fig. 12).

AVISO: las brocas se pueden sobrecalentar si no se sacan frecuentemente para limpiar el aserrín de los canales.

Taladrado en metal

Para obtener el máximo rendimiento, use brocas de acero para metal, para taladrar en acero.

- Cuando perforo metales, unte aceite ligero en la broca para taladro para evitar que se sobrecaliente. El aceite prolongará la vida útil de la broca y aumentará la acción de taladrado.
- Comience a taladrar a una muy baja velocidad para evitar que la broca se deslice hacia afuera del punto de inicio.
- Mantenga una velocidad y presión que permitan cortar sin sobrecalentar la broca. Aplicar demasiada presión producirá lo siguiente:
 - Sobrecalentamiento del taladro.
 - Desgaste de los cojinetes.
 - Curvatura o quemadura de las brocas.
 - Orificios descentrados o irregulares.

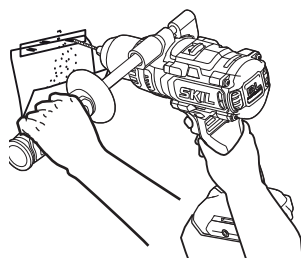
Taladrado en mampostería

Para obtener un máximo rendimiento, utilice brocas con puntas de carburo para mampostería cuando taladre agujeros en ladrillos, baldosas, concreto, etc.

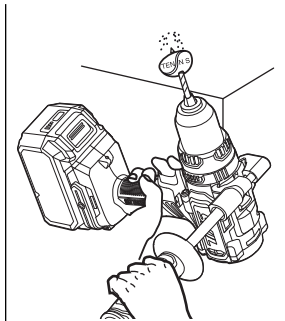
- Mantenga una velocidad y presión que permitan cortar sin sobrecalentar la broca o el taladro. Aplicar demasiada presión producirá lo siguiente:
 - Sobrecalentamiento del taladro.
 - Desgaste de los cojinetes.
 - Curvatura o quemadura de las brocas.
 - Orificios descentrados o irregulares.
- Para obtener mejores resultados en ladrillos, ejerza una leve presión y taladre a una velocidad media.
- En materiales duros, como el concreto, ejerza una presión mayor.
- Cuando taladre orificios en una baldosa, practique en un fragmento para determinar cuál es la mejor velocidad y presión.
- Comience a taladrar a una muy baja velocidad para evitar que la broca se deslice hacia afuera del punto de inicio.

AVISO: en la Fig. 13, se muestran algunos consejos para realizar diferentes operaciones de perforación.

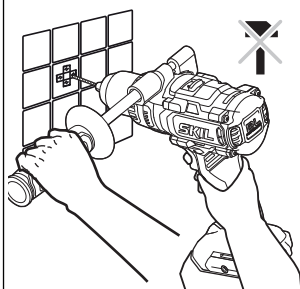
Fig. 13



Perforación de paredes sin generar polvo



Perforación de techos sin generar polvo



Perforación en azulejos sin deslizamientos

Instalación de tuercas y pernos

⚠ ADVERTENCIA Use siempre gafas o anteojos de seguridad con protectores laterales durante la operación de la herramienta eléctrica o al soplar el polvo. Si la operación genera demasiado polvo, use también una mascarilla anti-polvo.

El control de velocidad variable debe usarse con precaución al instalar tuercas y pernos con accesorios para dados. La mejor técnica consiste en empezar lentamente y aumentar la velocidad a medida que la tuerca o el perno funcionen por sí solos. Ajuste la tuerca o el perno firmemente, bajando la velocidad del taladro hasta que se detenga. Si no se sigue este procedimiento, la herramienta tendrá la tendencia de torcerse en las manos cuando la tuerca o el perno se asienten.

Bloqueo automático del husillo

El bloqueo automático del husillo permite usar la herramienta como si fuera un destornillador manual. Puede dar un giro adicional para ajustar un tornillo, aflojar un tornillo muy ajustado o seguir trabajando cuando la batería está descargada por completo. Para propósitos de destornillador manual, el portabrocas se bloquea automáticamente cuando la herramienta está apagada.

MANTENIMIENTO

⚠ ADVERTENCIA Para evitar lesiones personales graves, siempre retire el paquete de baterías de la herramienta cuando limpie o realice cualquier mantenimiento.

Reparación

⚠ ADVERTENCIA El mantenimiento preventivo realizado por personal no autorizado puede derivar en la mala colocación de los cables y componentes internos y causar un riesgo grave. Recomendamos que toda reparación de la herramienta la realice un centro de servicio de la fábrica SKIL o una estación de servicio autorizada de SKIL.

Mantenimiento general

⚠ ADVERTENCIA Al realizar mantenimiento, utilice solo piezas de repuesto idénticas a las de fabricación. El uso de cualquier otra pieza puede generar peligro o causar daños en el producto.

inspeccione el producto periódicamente para verificar que no haya piezas dañadas, faltantes o flojas, como tornillos, tuercas, pernos, tapas, etc. Apriete bien todos los sujetadores y las tapas y no use este producto hasta que se hayan reemplazado todas las piezas faltantes o dañadas. Póngase en contacto con el servicio al cliente o con un centro de servicio autorizado para recibir ayuda.

Remoción del portabrocas (Fig. 14)

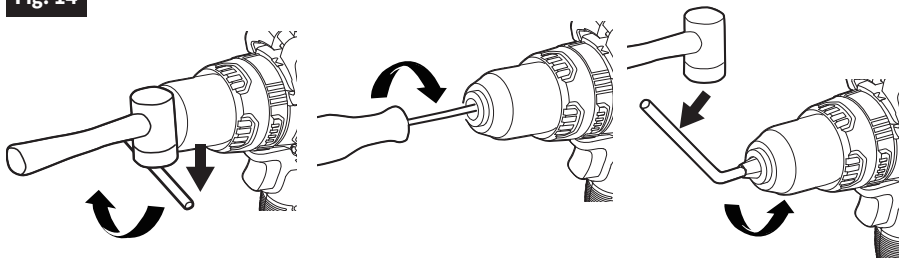
El portabrocas se puede retirar y reemplazar por uno nuevo.

- Bloquee el interruptor tipo gatillo de velocidad variable al colocar el selector de dirección de rotación en la posición central y retire el paquete de baterías. Ajuste la herramienta en la posición de taladro.
- Abra las mordazas del portabrocas.
- Inserte una llave hexagonal de 5/16 pulg. o más (no incluida) en el portabrocas de la herramienta y ajuste las mordazas del portabrocas de forma segura.
- Golpee con firmeza la llave hexagonal con un mazo (no incluido) en dirección de las manecillas del reloj. Esto aflojará el tornillo del portabrocas para retirarlo fácilmente.
- Abra las mordazas del portabrocas y retire la llave hexagonal. Con un destornillador Phillips (no incluido), retire el tornillo del portabrocas girándolo en dirección de las manecillas del reloj.

AVISO: El tornillo del portabrocas tiene roscas izquierdas.

- Introduzca la llave hexagonal en el portabrocas y ajuste bien las mordazas. Golpee con firmeza con un mazo en dirección contraria a las manecillas del reloj. Esto aflojará el portabrocas en el husillo. Ahora se puede desatornillar manualmente.

Fig. 14



Reajustar un portabrocas flojo

El portabrocas se puede desajustar en el husillo y producir un balanceo. El tornillo del portabrocas también se puede aflojar y hacer que las mordazas del portabrocas se traben y no se puedan cerrar.

Para ajustar el portabrocas o el tornillo del portabrocas flojo:

- a. Bloquee el interruptor tipo gatillo de velocidad variable al colocar el selector de dirección de rotación en la posición central.
- b. Abra las mordazas del portabrocas.
- c. Introduzca una llave hexagonal (no incluida) en el portabrocas y ajuste bien las mordazas. Golpee con firmeza la llave hexagonal con un mazo (no incluido) en dirección de las manecillas del reloj. Esto ajustará el portabrocas en el husillo.
- d. Abra las mordazas del portabrocas y retire la llave hexagonal.
- e. Use un destornillador Phillips (no incluido) para girar el tornillo del portabrocas en dirección contraria a las manecillas del reloj y ajustarlo.

Limpieza

⚠ ADVERTENCIA La herramienta se puede limpiar mejor con aire comprimido seco. Siempre use gafas de seguridad al usar herramientas de limpieza con aire comprimido. Las aberturas de ventilación y los selectores del interruptor deben mantenerse limpios y libres de materiales extraños. No intente limpiar insertando objetos puntiagudos a través de las aberturas.

⚠ ADVERTENCIA Determinados solventes y agentes de limpieza dañan las piezas de plástico. Algunos de estos son: Gasolina, tetracloruro de carbono, solventes de limpieza con cloro, amoníaco y detergentes domésticos que contienen amoníaco.

Almacenamiento

Almacene la herramienta en un lugar cerrado que no sea accesible para los niños. Manténgala alejada de agentes corrosivos.

SOLUCIÓN DE PROBLEMAS

Problema	Causa	Solución
La herramienta no arranca	<ol style="list-style-type: none"><li data-bbox="327 172 636 220">1. El paquete de baterías está agotado.<li data-bbox="327 220 636 269">2. La herramienta está sobrecargada.<li data-bbox="327 269 636 318">3. El paquete de baterías está sobrecalentado. <li data-bbox="327 383 636 431">4. El paquete de baterías no está instalado correctamente.<li data-bbox="327 431 636 480">5. El interruptor está quemado.	<ol style="list-style-type: none"><li data-bbox="665 172 873 196">1. Cargue la batería.<li data-bbox="665 220 969 269">2. Suelte el interruptor tipo gatillo y vuelva a intentarlo.<li data-bbox="665 269 969 375">3. Apague la herramienta y permita que el paquete de baterías se enfríe en una corriente de aire.<li data-bbox="665 375 969 456">4. Asegúrese de que la batería esté trabada y fijada a la herramienta.<li data-bbox="665 456 969 553">5. Solicite que reemplacen el interruptor en una estación o centro de servicio autorizado de SKIL.
Vibración excesiva.	<ol style="list-style-type: none"><li data-bbox="327 573 636 654">1. El accesorio que se esta usando está doblado o dañado.<li data-bbox="327 654 636 735">2. El accesorio que se está usando no está firme en el portabrocas.<li data-bbox="327 735 636 760">3. El portabrocas está flojo.	<ol style="list-style-type: none"><li data-bbox="665 573 990 621">1. Deseche y reemplace con un nuevo accesorio.<li data-bbox="665 654 990 735">2. Consulte la sección "Instalación de brocas" de este manual.<li data-bbox="665 735 990 808">3. Consulte la sección "Reajustar un portabrocas flojo" de este manual.

GARANTÍA LIMITADA PARA HERRAMIENTA SKIL

5 AÑO DE GARANTÍA LIMITADA

Chervon North America, Inc. ("Vendedor") garantiza únicamente al comprador original que ninguna HERRAMIENTA SKIL del consumidor presentará defectos en los materiales ni la mano de obra durante un período de cinco años a partir de la fecha de compra si el comprador original registra el producto dentro de los 30 días de realizada la compra. Las BATERÍAS y los CARGADORES tienen una garantía de 2 años. El registro del producto se puede completar en línea en www.Registermyskil.com. Los compradores originales también deben conservar el recibo como comprobante de compra. EL PERÍODO DE GARANTÍA DE CINCO AÑOS PARA HERRAMIENTAS ESTÁ CONDICIONADA POR EL REGISTRO DEL PRODUCTO DENTRO DE LOS 30 DÍAS DE REALIZADA LA COMPRA. Si los compradores originales no registran el producto de manera oportuna, se aplicará la garantía limitada anterior durante tres años para las herramientas eléctricas. Todas las baterías y los cargadores permanecerán bajo la garantía limitada de dos años.

No obstante lo señalado anteriormente, si se usa una herramienta SKIL del consumidor para fines industriales, profesionales o comerciales, se aplicará la garantía anterior durante noventa días, sin considerar el registro.

LA ÚNICA OBLIGACIÓN DEL VENDEDOR Y SU ÚNICA SOLUCIÓN en virtud de esta garantía limitada y, en la medida en que lo permita la ley, cualquier garantía o condición implícita por la ley, será la reparación o el reemplazo, sin cargo, de las piezas que presentan defectos en el material o la mano de obra y que no se hayan usado de manera incorrecta, que no se hayan manejado sin la debida atención o que las hayan reparado personas que no sean el Vendedor o una estación de servicio autorizada. Para exponer un reclamo en virtud de esta garantía limitada, debe devolver el producto completo, con el transporte prepago, a cualquier centro de servicio de la fábrica SKIL o a cualquier estación de servicio autorizada. Para comunicarse con las estaciones de servicio autorizadas de Skil para reparar su herramienta eléctrica, visite www.Registermyskil.com o llame al 1-877-SKIL-999 (1-877-754-5999).

ESTA GARANTÍA LIMITADA NO SE APLICA A ARTÍCULOS ACCESORIOS, COMO HOJAS DE SIERRA CIRCULAR, BROCAS PARA TALADROS, BROCAS PARA REBAJADORAS, HOJAS DE SIERRA DE VAIVÉN, BANDAS DE LIJADO, DISCOS DE PULIDO Y OTROS ARTÍCULOS RELACIONADOS.

TODA GARANTÍA IMPLÍCITA APLICABLE A UN PRODUCTO DEBE ESTAR LIMITADA A LA MISMA DURACIÓN QUE LA DURACIÓN DE LAS GARANTÍAS EXPRESAS APLICABLES A DICHO PRODUCTO, SEGÚN SE ESTABLECIÓ EN EL PRIMER PÁRRAFO. ALGUNOS ESTADOS EN ESTADOS UNIDOS Y ALGUNAS PROVINCIAS EN CANADÁ NO PERMITEN LIMITACIONES SOBRE EL TIEMPO DE DURACIÓN DE UNA GARANTÍA IMPLÍCITA, DE MODO QUE LA LIMITACIÓN ANTES DESCRITA PUEDE QUE NO SE APLIQUE A USTED.

BAJO NINGUNA CIRCUNSTANCIA, EL VENDEDOR SERÁ RESPONSABLE DE DAÑOS ACCIDENTALES O RESULTANTES (INCLUIDA ENTRE OTRAS, LA RESPONSABILIDAD POR PÉRDIDA DE GANANCIAS) QUE SE ORIGINEN DE LA VENTA O EL USO DE ESTE PRODUCTO. ALGUNOS ESTADOS EN ESTADOS UNIDOS Y ALGUNAS PROVINCIAS EN CANADÁ NO PERMITEN LA EXCLUSIÓN O LIMITACIÓN DE DAÑOS ACCIDENTALES O RESULTANTES, DE MODO QUE LA LIMITACIÓN O EXCLUSIÓN ANTERIOR PUEDE QUE NO SE APLIQUE A USTED.

ESTA GARANTÍA LIMITADA LE OTORGA DERECHOS LEGALES ESPECÍFICOS, Y ES POSIBLE QUE TAMBIÉN TENGA OTROS DERECHOS QUE VARIAN DE UN ESTADO A OTRO EN ESTADOS UNIDOS, DE UNA PROVINCIA A OTRA EN CANADÁ Y DE UN PAÍS A OTRO.

ESTA GARANTÍA LIMITADA SE APLICA SOLAMENTE A PRODUCTOS VENDIDOS EN ESTADOS UNIDOS DE AMÉRICA, CANADÁ Y EL COMMONWEALTH DE PUERTO RICO. PARA TENER UNA COBERTURA DE GARANTÍA EN OTROS PAÍSES, PÓNGASE EN CONTACTO CON SU DISTRIBUIDOR O IMPORTADOR DE SKIL.

© Chervon North America, 1203 E. Warrenville Rd, Naperville, IL 60563.

01/19

