

IMPORTANT:
Read Before Using

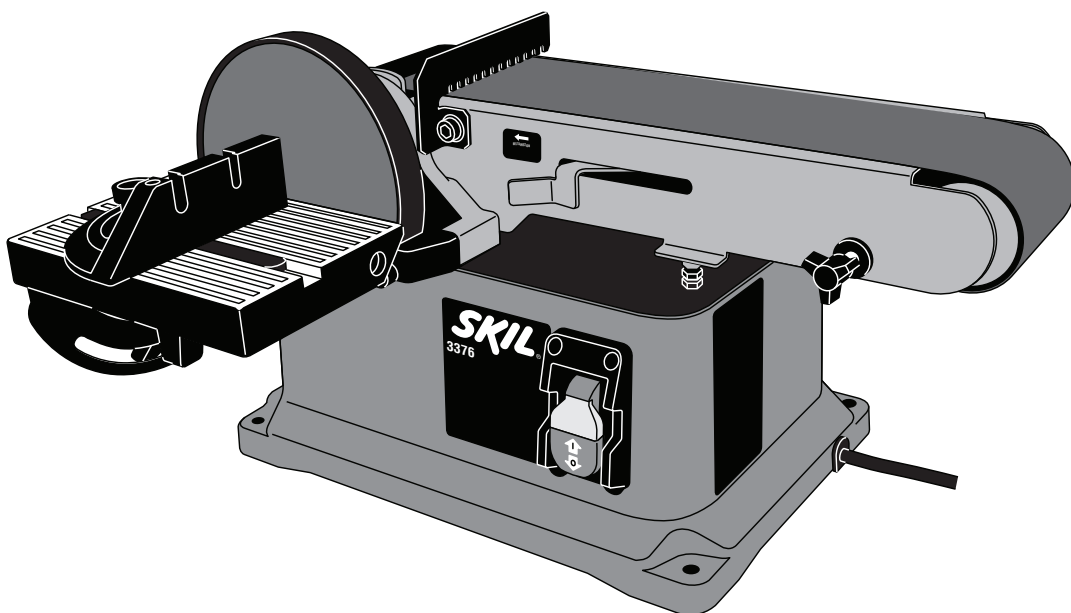
IMPORTANT :
Lire avant usage

IMPORTANTE:
Leer antes de usar



Operating/Safety Instructions
Consignes d'utilisation/de sécurité
Instrucciones de funcionamiento y seguridad

3376



SKIL[®]

**Call Toll Free for
Consumer Information
& Service Locations**

**Pour obtenir des informations et
les adresses de nos centres de
service après-vente,
appelez ce numéro gratuit**

**Llame gratis para
obtener información
para el consumidor y
ubicaciones de servicio**

1-877-SKIL999 (1-877-754-5999) www.skil.com

**For English Version
See page 2**

**Version française
Voir page 17**

**Versión en español
Ver la página 32**

General Safety Rules

⚠ WARNING “READ ALL INSTRUCTIONS” Failure to follow the safety rules listed below and other basic safety precautions may result in serious personal injury.

Work Area

KEEP CHILDREN AWAY

Do not let visitors contact tool or extension cord. All visitors should be kept safe distance from work area.

KEEP WORK AREAS CLEAN

Cluttered areas and benches invite accidents.

MAKE WORKSHOP KID-PROOF

With padlocks, master switches, or by removing starter keys.

AVOID DANGEROUS ENVIRONMENTS

Don't use power tools in damp or wet locations. Keep work area well lit. Do not expose power tools to rain. Do not use the tool in the presence of flammable liquids or gases.

Personal Safety

KNOW YOUR POWER TOOL

Read and understand the owner's manual and labels affixed to the tool. Learn its application and limitations as well as the specific potential hazards peculiar to this tool.

DON'T OVERREACH

Keep proper footing and balance at all times.

STAY ALERT

Watch what you are doing. Use common sense. Do not operate tool when you are tired. Do not operate while under medication or while using alcohol or other drugs.

WEAR PROPER APPAREL

Do not wear loose clothing, gloves, neckties, rings, bracelets, or other jewelry which may get caught in moving parts. Nonslip footwear is recommended. Wear protective hair covering to contain long hair.

ALWAYS USE SAFETY GLASSES

Also use face or dust mask if cutting operation is dusty, and ear plugs during extended periods of operation. Everyday eyeglasses have only impact resistant lenses, they are NOT safety glasses.

GUARD AGAINST ELECTRIC SHOCK

Prevent body contact with grounded surfaces. For example: pipes, radiators, ranges, refrigerator enclosures.

DISCONNECT TOOLS FROM POWER SOURCE

When not in use, before servicing, when changing blades, bits, cutters, etc.

KEEP GUARDS IN PLACE

In working order, and in proper adjustment and alignment.

REMOVE ADJUSTING KEYS AND WRENCHES

When not in use, before servicing, when changing blades, bits, cutters, etc.

REDUCE THE RISK OF UNINTENTIONAL STARTING

Make sure the switch is in the “OFF” position before plugging in tool.

GROUND ALL TOOLS

This tool is equipped with an approved 3-conductor cord and a 3 prong grounding type plug to fit the proper grounding type receptacle. The green conductor in the cord is the grounding wire. Never connect the green wire to a live terminal.

NEVER STAND ON TOOL OR ITS STAND

Serious injury could occur if the tool is tipped or if the cutting tool is accidentally contacted. Do not store materials on or near the tool such that it is necessary to stand on the tool or its stand to reach them.

CHECK DAMAGED PARTS

Before further use of the tool, a guard or other part that is damaged should be carefully checked to ensure that it will operate properly and perform its intended function. Check for alignment of moving parts, mounting, and any other conditions that may affect its operation. A guard or other part that is damaged should be properly replaced.

⚠ WARNING All repairs, electrical or mechanical, should be attempted only by trained repairmen. Contact the nearest Skil Factory Service Center, Authorized Service Station or other competent repair service.

⚠ WARNING Use only Skil replacement parts; any others may create a hazard.

⚠ WARNING The use of any other accessories not specified in the current Skil catalog, may create a hazard

“SAVE THESE INSTRUCTIONS”

Additional Safety Rules

Tool Use

DON'T FORCE TOOL

It will do the job better and safer at the rate for which it was designed.

USE THE RIGHT TOOL

Don't force a small tool or attachment to do the job of a heavy duty tool. Don't use tool for purpose not intended—for example, don't use a circular saw for cutting tree limbs or logs.

SECURE WORK

Use clamps or a vise to hold work. It's safer than using your hand and it frees both hands to operate the tool.

NEVER LEAVE TOOL RUNNING UNATTENDED

Turn power off. Don't leave tool until it comes to a complete stop.

Tool Care

DO NOT ALTER OR MISUSE TOOL

These tools are precision built. Any alteration or modification not specified is misuse and may result in dangerous conditions.

AVOID GASEOUS AREAS

Do not operate electric tools in a gaseous or explosive atmosphere. Motors in these tools normally spark, and may result in a dangerous condition.

MAINTAIN TOOLS WITH CARE

Keep tools sharp and clean for best and safest performance. Follow instructions for lubricating and changing accessories. Inspect tool cords periodically and if damaged, have repaired by authorized service facility. Inspect extension cords periodically and replace if damaged. Keep handles dry, clean and free from oil and grease.

WARNING Before connecting the tool to a power source (receptacle, outlet, etc.), be sure voltage supplied is the same as that specified on the nameplate of the tool. A power source with a voltage greater than that specified for the tool can result in serious injury to the user, as well as damage to the tool. If in doubt, **DO NOT PLUG IN THE TOOL**. Using a power source with a voltage less than the nameplate rating is harmful to the motor.

WARNING For your own safety, do not operate your sander until it is completely assembled and installed according to the instructions and until you have read and understood the following:

1. **Safety Rules** 2-4
2. **Motor Specifications** 5
3. **Getting To Know Your Belt/Disc Sander** 8
4. **Assembly and Adjustments** 9-12
5. **Operation** 13-15
7. **Maintaining Your Sander** 16

8. STABILITY OF THE BELT/DISC SANDER

If there is any tendency of the belt/disc sander to tilt or move during any use, bolt it to the bench top or to a piece of 3/4" exterior plywood large enough to stabilize the sander. Bolt the plywood to the underside of the base so it extends beyond the sides of the base. **DO NOT USE PRESSED WOODS PANELS**. They can break unexpectedly. If the workpiece is too large to easily support with one hand, provide an auxiliary support.

9. LOCATION

Use the sander in a well lit area and on a level surface, clean and smooth enough to reduce the risk of trips and falls. Use it where neither the operator nor the casual observer is forced to stand in line with a potential kickback.

10. PROTECTION: Eyes, hands, ears and body.

WARNING **TO AVOID BEING PULLED INTO THE SPINNING TOOL —**

DO NOT WEAR: Loose fitting gloves
Necktie
Loose clothing
Jewelry

**DO: TIE BACK LONG HAIR
ROLL LONG SLEEVES ABOVE ELBOWS**

a. If any part of your belt/disc sander is missing, malfunctioning, has been damaged or broken ... such as the motor switch, or other operating control, a safety device or the power cord ... cease operating immediately until the particular part is properly repaired or replaced.

b. Never place your fingers in a position where they could contact the sand paper or other cutting tool if the workpiece should unexpectedly shift or your hand should slip.

Additional Safety Rules

- c.** To prevent the workpiece from being torn from your hands, spinning on the table, shattering the tool, or being thrown, always support your work so it won't shift or bind on the tool.
- d.** Never move the table support while the tool is running.
- e.** Before starting the operation, jog the motor switch to make sure the sanding belt or other cutting tool does not wobble or cause vibration.
- f.** If a workpiece overhangs the table such that it will fall or tip if not held, provide auxiliary support.
- g.** Use fixtures for unusual operations to adequately hold, guide and position the workpiece.
- h.** Turn the motor switch "OFF" and unplug from power source when not in operation.
- i.** Always support workpiece with the miter gage, work support or worktable.
- j.** Keep fingers away from pinch points between the belt/disc and the housing.
- k.** Maintain 1/16" clearance maximum between table/stops and sanding belt or disc.
- l.** Maintain proper adjustment of sanding belt tension and alignment.
- m.** Avoid kickback (workpiece thrown at you) - Do not use right half of disc or work on left side of workpiece stop for belt.
- n.** To avoid injury from thrown work or tool contact, DO NOT perform layout, assembly, or setup work on the table while the tool is rotating.
- o.** Do not expose to rain or use in damp locations.
- p.** Unplug the sander before making belt/wheel changes, adjustments or repairs.

11. DIRECTION OF FEED FOR DRUM SANDING

WARNING Feed workpiece into a sanding drum or other approved accessory, against the direction of rotation.

12. THINK SAFETY

SAFETY IS A COMBINATION OF OPERATOR COMMON SENSE AND ALERTNESS AT ALL TIMES WHEN THE SANDER IS BEING USED.

WARNING Do not allow familiarity (gained from frequent use of your sander) to become commonplace. Always remember that a careless fraction of a second is sufficient to inflict severe injury.



The operation of any power tool can result in foreign objects being thrown into the eyes, which can result in severe eye damage. Always wear safety goggles that comply with ANSI Z87.1 (shown on Package) before commencing power tool operation.

WARNING Some dust created by power sanding, sawing, grinding, drilling, and other construction activities contains chemicals known to cause cancer, birth defects or other reproductive harm. Some examples of these chemicals are:

- Lead from lead-based paints,
- Crystalline silica from bricks and cement and other masonry products, and
- Arsenic and chromium from chemically treated lumber.

Your risk from these exposures varies, depending on how often you do this type of work. To reduce your exposure to these chemicals: work in a well ventilated area, and work with approved safety equipment, such as those dust masks that are specially designed to filter out microscopic particles.

NOTE AND FOLLOW THE SAFETY WARNINGS AND INSTRUCTIONS THAT APPEAR ON THE PANEL ON THE SANDER:

SKIL[®]

3376

F012337600
4"x36" (102x914 mm) Belt Disc Sander
120V- 60Hz 4.3A n_o 3450/min
Robert Bosch Tool Corp.
Mount Prospect, IL Made in China

WARNING For your own safety - Read and understand instruction manual before operating belt/disc sander.

- ▲ Wear safety glasses or safety goggles and dust mask.
- ▲ Always support workpiece with the miter gage, backstop or worktable.
- ▲ Keep fingers away from pinch points between the belt/disc and the housing.
- ▲ Maintain 1/16" clearance maximum between table/stops and sanding belt or disc.
- ▲ Avoid kickback (workpiece thrown at you) - Do not use right half of disc or work on left side of workpiece stop for belt.
- ▲ Do not wear loose fitting gloves or clothing. Tie back long hair.
- ▲ Do not operate near flammable materials.
- ▲ Unplug sander before making belt/wheel changes, adjustments or repairs.
- ▲ Maintain proper adjustment of sanding belt tension and alignment.
- ▲ Do not expose to rain or use in damp locations.

Motor Specifications and Electrical Requirements

General Specifications

Voltage Rating120 V, 60 Hz
Amperage Rating4.3 A
No Load SpeedN _o 3,450/min
Table size7.4" x 5" (18.8 cm x 12.7cm)

Motor Specifications

In the event of a malfunction or breakdown, grounding provides a path of least resistance for electric current to reduce the risk of electric shock. This tool is equipped with an electric cord having an equipment-grounding conductor and a grounding plug. The plug must be plugged into a matching outlet that is properly installed and grounded in accordance with all local codes and ordinances.

The sander is wired for operation on 110-120 volts, 60 Hz, alternating current. Before connecting the motor cord to power source, make certain the switch is in the "OFF" position and be sure the electric current is of the same characteristics as stamped on the sander nameplate.

Connection To A Power Source

This machine must be grounded while in use to protect the operator from electric shock.

Plug power cord into a 110-120V properly grounded type outlet protected by a 15-amp dual element time delay fuse or circuit breaker.

Not all outlets are properly grounded. If you are not sure that your outlet, as pictured in Figure 1, is properly grounded; have it checked by a qualified electrician.

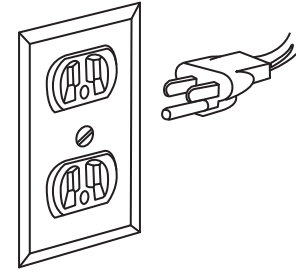
⚠ DANGER To avoid electric shock, do not touch the metal prongs on the plug when installing or removing the plug to or from the outlet.

⚠ DANGER Failure to properly ground this power tool can cause electrocution or serious shock, particularly when used near metal plumbing or other metal objects. If shocked, your reaction could cause your hands to hit the tool.

⚠ WARNING If power cord is worn, cut or damaged in any way, have it replaced immediately to avoid shock or fire hazard.

Your unit is for use on 120 volts; it has a plug that looks like the one in Figure 1.

FIG. 1



This power tool is equipped with a 3-conductor cord and grounding type plug, approved by Underwriters Laboratories and the Canadian Standards Association. The ground conductor has a green jacket and is attached to the tool housing at one end and to the ground prong in the attachment plug at the other end.

If the outlet you are planning to use for this power tool is of the two-prong type, **DO NOT REMOVE OR ALTER THE GROUNDING PRONG IN ANY MANNER.** Have a qualified electrician replace the TWO-prong outlet with a properly grounded THREE-prong outlet.

Improper connection of the equipment-grounding conductor can result in a risk of electric shock. The conductor with insulation having an outer surface that is green with or without yellow stripes is the equipment-conductor. If repair or replacement of the electric cord or plug is necessary, do not connect the equipment-grounding conductor to a live terminal.

Check with a qualified electrician or service personnel if the grounding instructions are not completely understood, or if in doubt as to whether the tool is properly grounded.

Always use proper extension cord. The use of any extension cord will cause some loss of power. To keep this to a minimum and to prevent overheating and motor burn-out, use the table below to determine the minimum wire size (A.W.G.) extension cord. Use only 3-wire extension cords which have 3-prong grounding type plugs and 3-pole receptacles which accept the tool's plug. Make sure your extension cord is in good condition.

Extension Cord Length	Wire Size A.W.G.
0-25 feet18
26-50 feet16
51-100 feet16

“SAVE THESE INSTRUCTIONS”



Table of Contents

General Safety Rules.....	2	Getting to Know Your Belt/Disc Sander.....	8
Additional Safety Rules.....	3-4	Assembly and Adjustments	9-12
Motor Specifications and Electrical Requirements....	5	Basic Belt/Disc Sander Operation	13-15
Table of Contents.....	6	Maintaining Your Belt/Disc Sander	16
Unpacking and Checking Contents	7	Troubleshooting	16



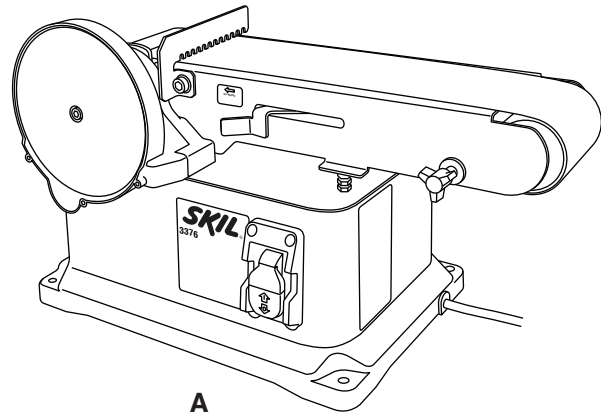
Unpacking and Checking Contents

⚠ WARNING To reduce the risk of injury, never connect plug to power source outlet until all assembly steps are complete and until you have read and understood the entire owner's manual.

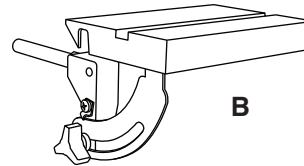
Model 3376 Belt/Disc Sander is shipped complete in one box.

Unpacking and Checking Contents. Separate all parts from packing materials and check each one with the "Table of Loose Parts" to make sure all items are accounted for before discarding any packing material.

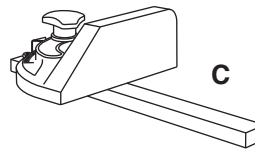
⚠ WARNING If any parts are missing, do not attempt to assemble the sander, plug in power cord or turn the switch on until the missing parts are obtained and are installed correctly.



A

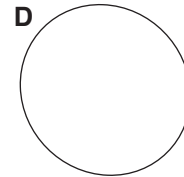


B

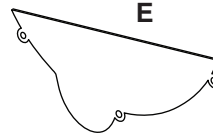


C

D



E



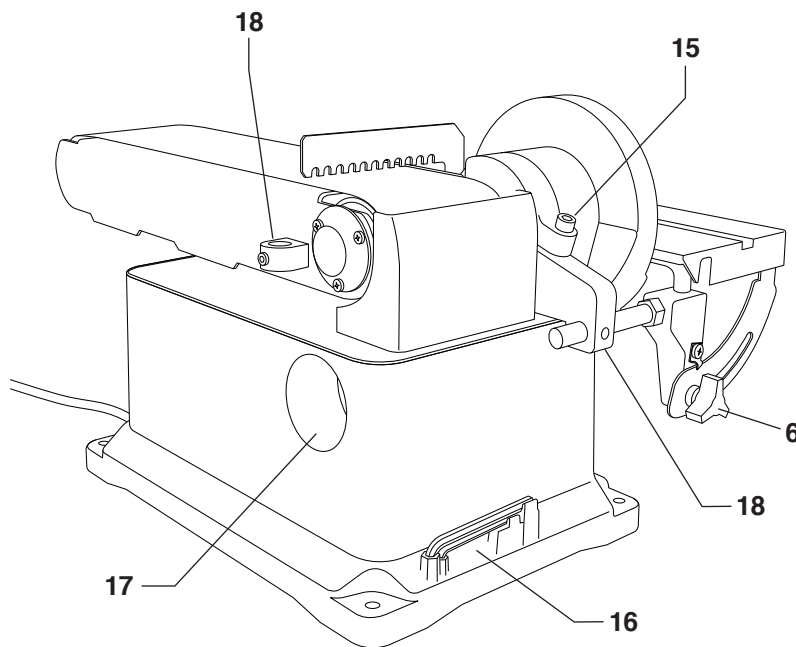
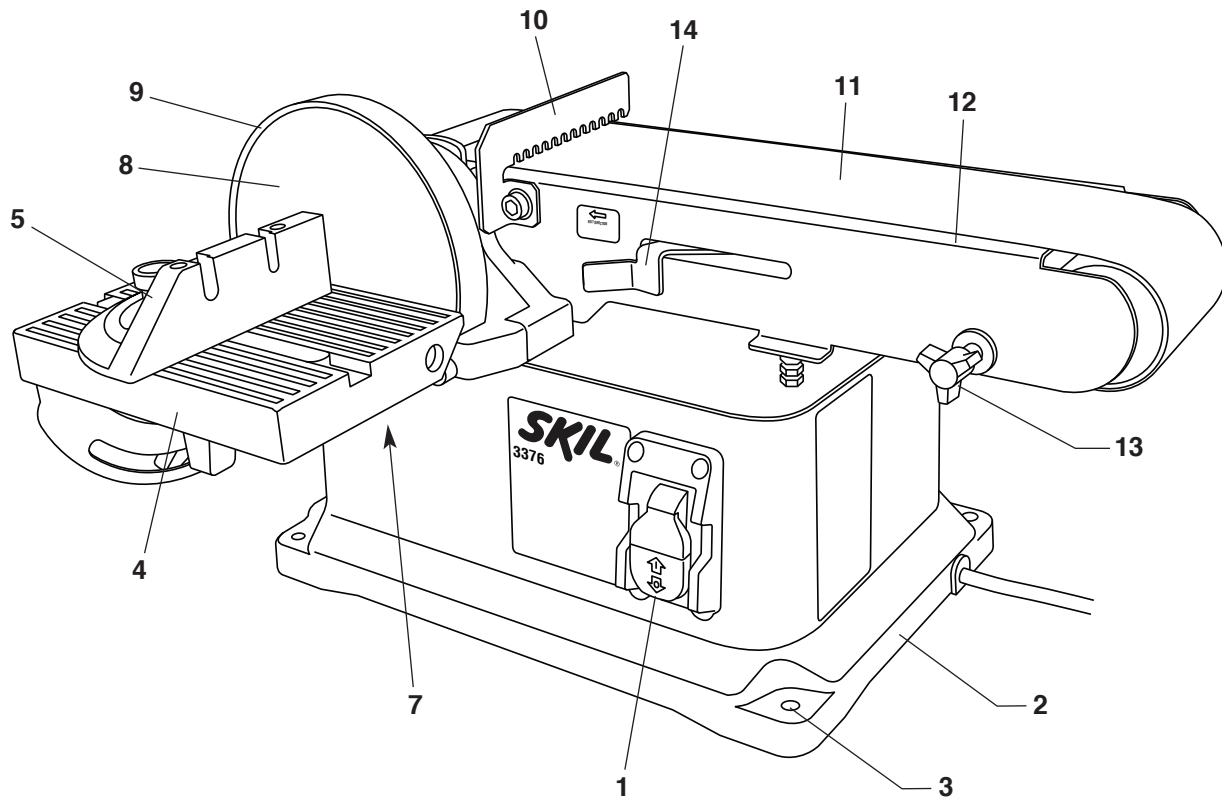
F

Table of Loose Parts

ITEM	DESCRIPTION	QTY.
A	Belt/Disc Sander	1
B	Table	1
C	Miter gauge	1
D	Sanding disc	1
E	Disc guard	1
F	Pan head screw M4.2 x 9.5	3



Getting To Know Your Belt/Disc Sander



1. ON/OFF switch with safety key
2. Base
3. Mounting holes (x4)
4. Work table
5. Miter Gauge
6. Table lock knob
7. Disc guard (under work table)
8. Sanding disc
9. Sanding plate
10. Work support
11. Sanding belt
12. Belt bed
13. Belt tracking knob
14. Belt tension lever
15. Belt bed locking screw
16. Storage location for hex keys (4mm & 6mm)
17. Dust port (for 2.5" standard hose (63.5mm))
18. Table mounting bracket (x2)



Assembly and adjustments

⚠ WARNING To reduce the risk of injury, never connect plug to power source outlet until all assembly steps are completed.

Installing sanding disc and guard (Fig. 2 & 3)

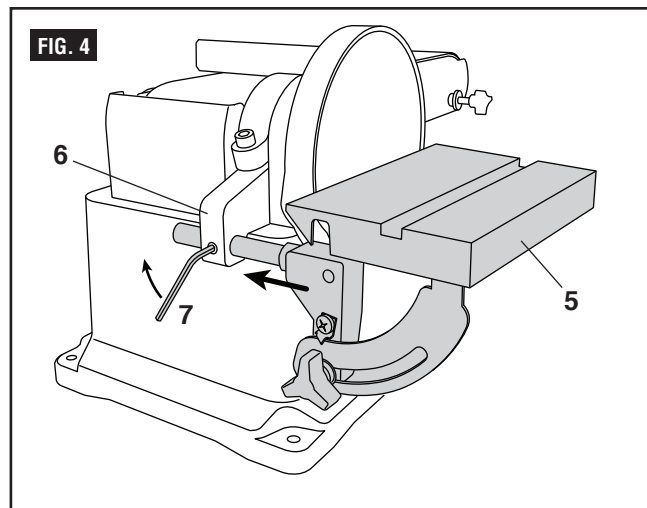
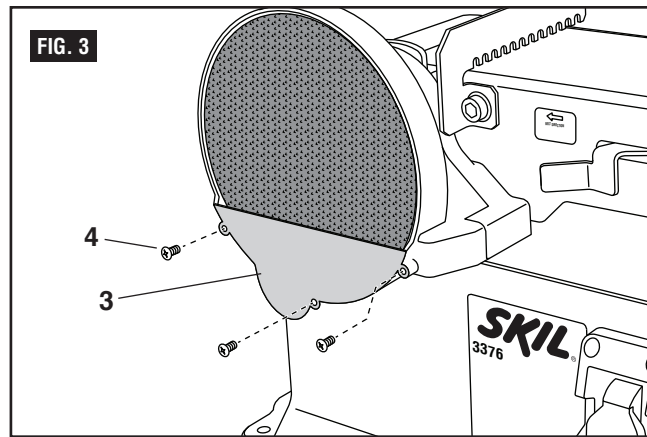
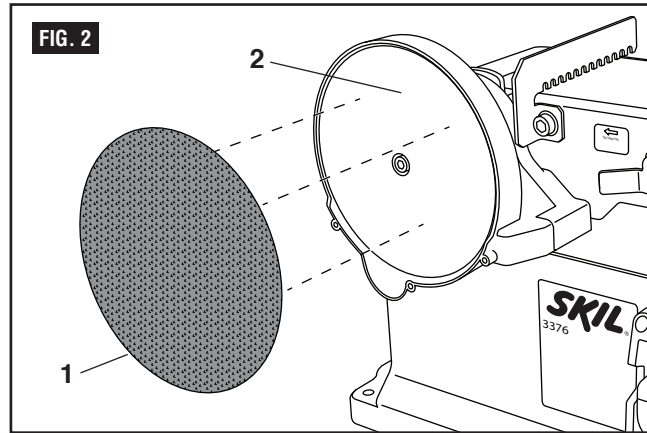
1. Remove the backing from the sanding disc (1). Align perimeter of disc with sanding plate (2) and press disc firmly into position all the way around, as shown in figure 2.
2. Locate the disc guard (3) and three pan head screws (4).
3. Position disc guard against lower 1/3 of disc aligning holes.
4. Using a Phillips screwdriver, fasten the pan head screws securely, applying light pressure to thread the holes, as shown in figure 3.

Note: Use 6 inch Abrasive discs only.

Installing table assembly (Fig. 4)

1. Slide the table (5) into the table mounting bracket (6) of the base, as shown in figure 4.
2. Use hex key 4 mm (7) to secure the table in place.

⚠ WARNING To avoid trapping the work or fingers between the table and sanding surface, the table edge should be a maximum of 1/16" (1.6mm) from sanding surface.



Assembly and adjustments

Installing the sanding belt (Fig. 5-7)

⚠ WARNING To avoid injury from accidental start, turn switch 'OFF', remove key and remove plug from power source outlet, before removing or installing belt.

Ensure table is removed from belt bed. Place belt bed at 45 degrees angle to facilitate belt changing (see "Auxiliary mounting for vertical sanding" for belt bed adjustment).

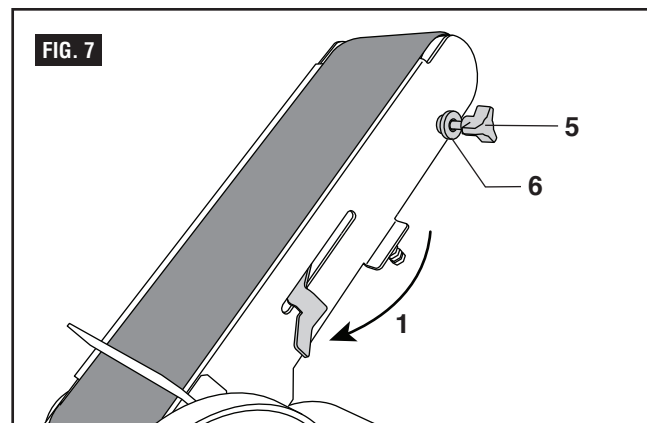
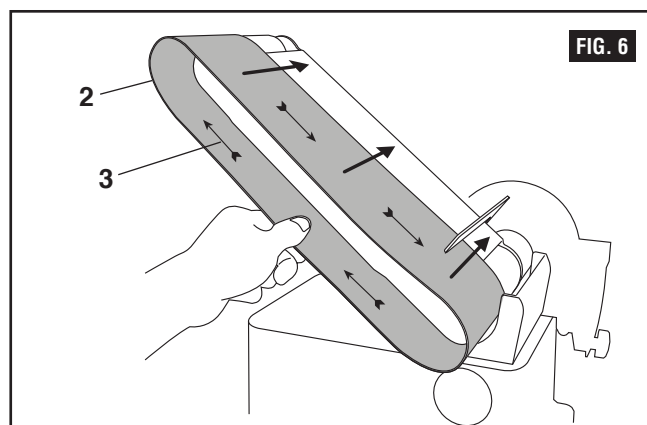
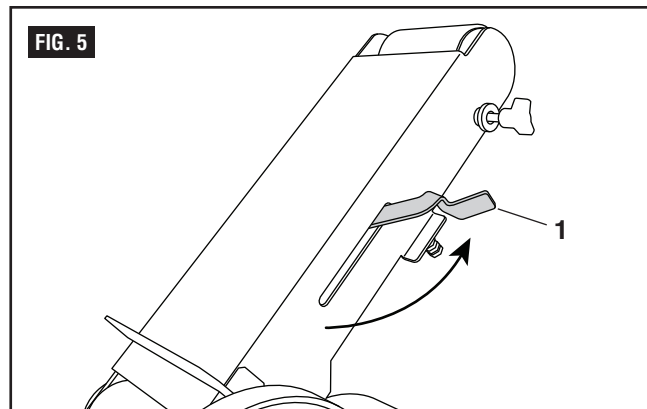
On the smooth side of the sanding belt, you will find a 'directional arrow'. The sanding belt must run in the direction of this arrow, so that the splice does not come apart.

1. Slide tension lever (1) to the right to release the belt tension, as shown in figure 5.
2. Place the sanding belt (2) over the drums with the directional arrow (3) pointing counter-clockwise, figure 6. Make sure the belt is centred on both drums.
3. Slide tension lever (1) to the left to apply belt tension, as shown in figure 7.

Note: Use 4 x 36 inch Abrasive belts only.

Adjusting / tracking the sanding belt (Fig. 7)

1. Plug in the power cord. Turn switch 'On' and immediately 'OFF', noting if the belt tends to slide off the idler drum or drive drum. If it did not tend to slide off it is TRACKING properly.
2. If the sanding belt moves toward the disc, loosen lock knob (6) by turning it counter clockwise, then turn the tracking knob (5) clockwise 1/4 turn.
3. If the sanding belt moves away from the disc, turn the tracking knob (5) counter-clockwise 1/4 turn.
4. Turn switch 'ON' and immediately 'OFF' noting belt movement. Readjust tracking knob if necessary.
5. Once the belt is tracking properly; while holding tracking adjustment knob (5) firmly in place, turn tracking lock knob (6) clockwise until it is locked tight.
6. Confirm the gap of maximum 1/16" (1.6mm) between the work support and sanding surface, adjust if needed.

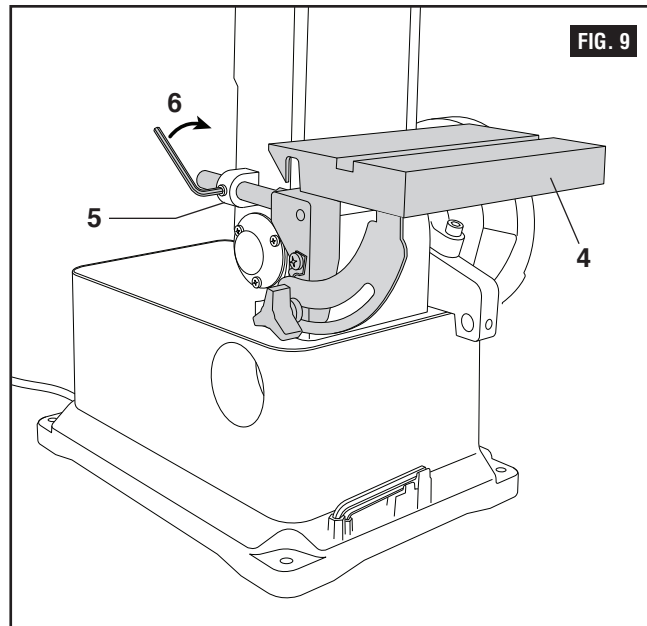
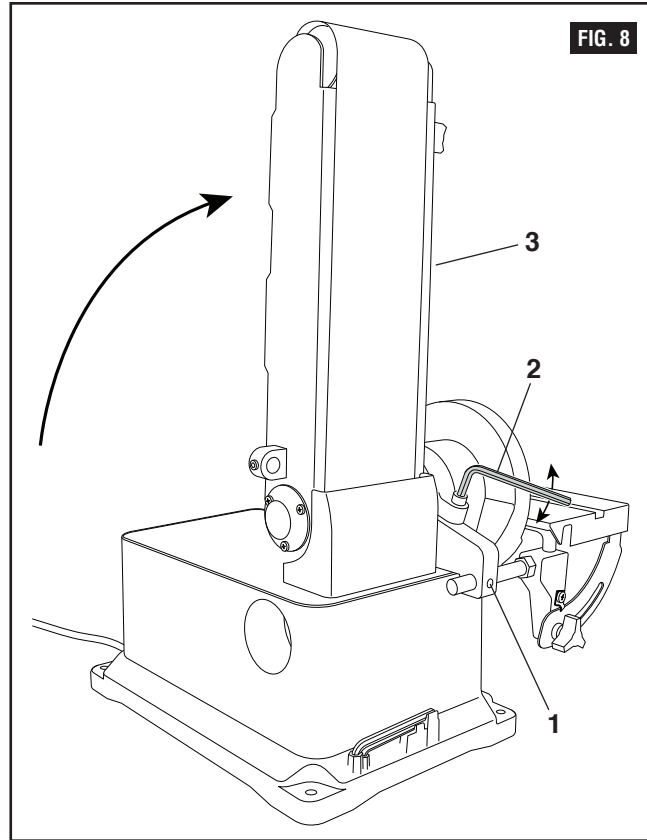


Assembly and adjustments

Auxiliary mounting for vertical sanding (Fig. 8 & 9)

1. Remove table assembly by loosening hex set screw (1) using 4mm hex key.
2. Loosen the belt bed locking screw (2) and raise the belt sander bed (3) to the vertical position, figure 8.
3. Retighten the locking screw (2).
4. Slide the table (4) into the table mounting bracket (5) of the belt bed, as shown in figure 9.
5. Use 4 mm hex key (6) to secure the table in place.

⚠ WARNING To avoid trapping the work or fingers between the table and sanding surface, the table edge should be a maximum of 1/16" (1.6mm) from sanding surface.



Assembly and adjustments

Adjusting work support (Fig. 10)

WARNING To avoid trapping the work or fingers between the work support and sanding surface, the support edge should be a maximum of 1/16" (1.6mm) from sanding surface.

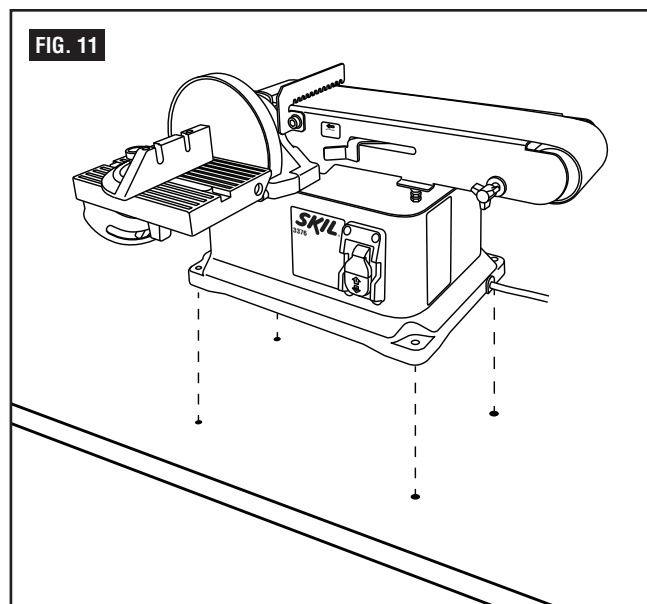
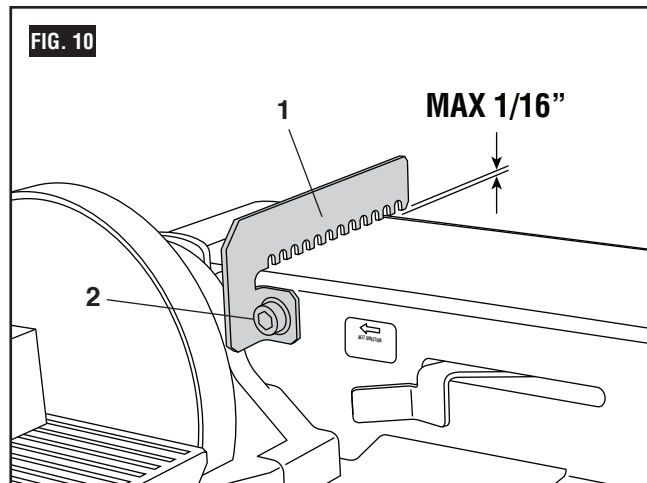
To adjust: loosen the hex screw (2) of work support (1), adjust as required, and retighten.

Mounting belt and disc sander to workbench (Fig. 11)

If belt and disc sander is to be used in a permanent location, it should be fastened securely to a firm supporting surface such as a workbench.

If mounting to a workbench, holes should be drilled through supporting surface of the workbench.

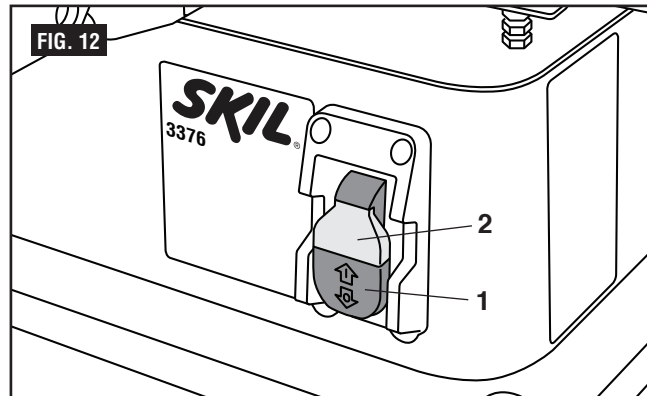
1. The unit should be bolted securely using 1/4" (M8) bolts, washers, lock washers, and hex nuts (not included).
2. Locate and mark the holes where belt and disc sander is to be mounted.
3. Drill four 1/4" holes (9.5mm diameter) through workbench.
4. Place belt and disc Sander on workbench aligning holes drilled in workbench.
5. Insert four bolts, washers, lock washers, and tighten hex nuts.



Operation

ON/OFF switch (Fig. 12)

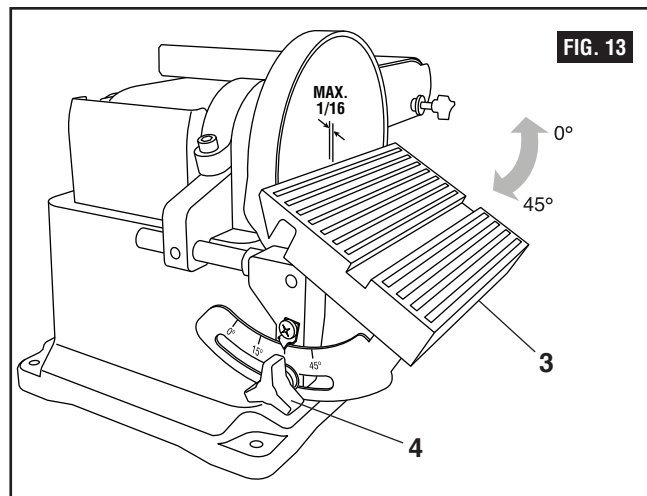
1. To turn the sander ON, move the switch (1) to the up (ON) position.
2. To turn the sander OFF, move the switch to the down (OFF) position.
3. To lock the switch in the OFF position:
 - a. Wait until the sander has come to a complete stop.
 - b. Remove the safety key (2) from the switch housing. Store the safety key in a safe place.
4. To unlock the switch and turn the sander ON, insert the safety key into the switch, and move the switch to the ON position.



Bevel sanding (Fig. 13)

1. The work table (3) can be tilted from 0° to 45° for bevel sanding.
2. Loosen the table lock knob (4) and tilt the work table to the desired angle.
3. Retighten the table lock knob.

⚠ WARNING To avoid trapping the work or fingers between the table and sanding surface, the table should be repositioned on the table support to retain a maximum of 1/16" (1.6mm) distance between sanding surface and table.



Operation

Surface sanding on the sanding belt (Fig. 14)

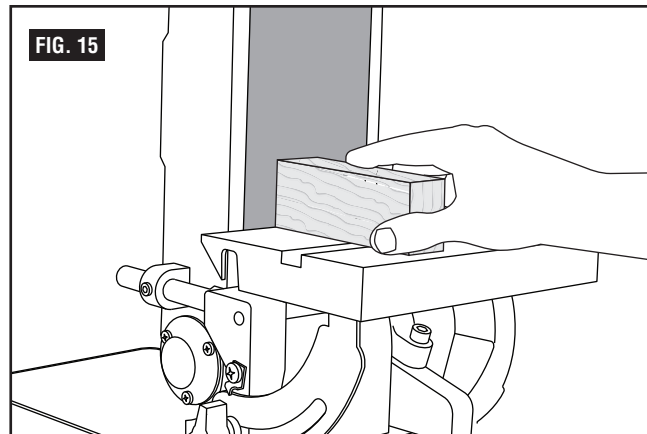
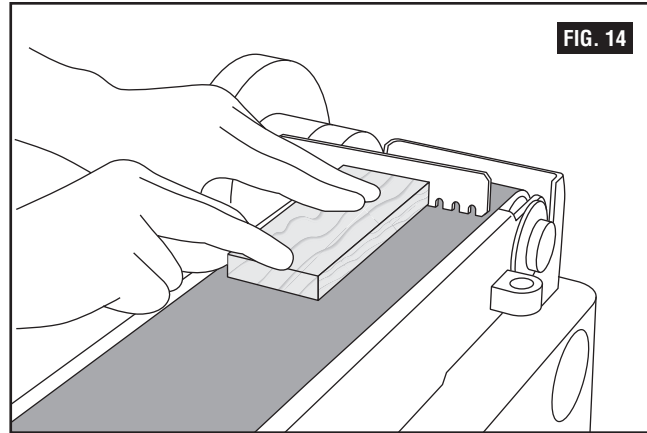
⚠ WARNING To avoid injury from slips, jams or thrown pieces, adjust the work support to clear the sanding surface by no more than 1/16" (1.6mm).

When checking clearance between the belt and work support, press the belt flat against the metal beneath it.

1. Hold the work piece firmly with both hands, keeping fingers away from the sanding belt.
2. Keep the end butted against the work support and move the work evenly across the sanding belt. Use extra caution when sanding very thin pieces.
3. When sanding long pieces, remove the work support.
4. Apply only enough pressure to allow the sanding belt to remove some material.

End sanding on the sanding belt (Fig. 15)

1. It is more convenient to sand the ends of long workpieces with the sanding belt in a vertical position.
2. Move the work evenly across the sanding belt. For accuracy, use the miter gauge.



Operation

Sanding curved edges (Fig. 16 & 17)

1. Always sand inside curves on idler drum as shown in figure 16.

⚠ WARNING Never attempt to sand the ends of a workpiece on the idler drum.

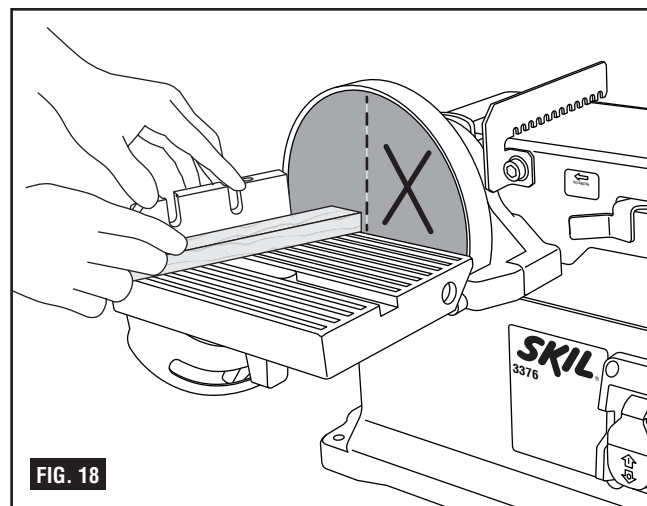
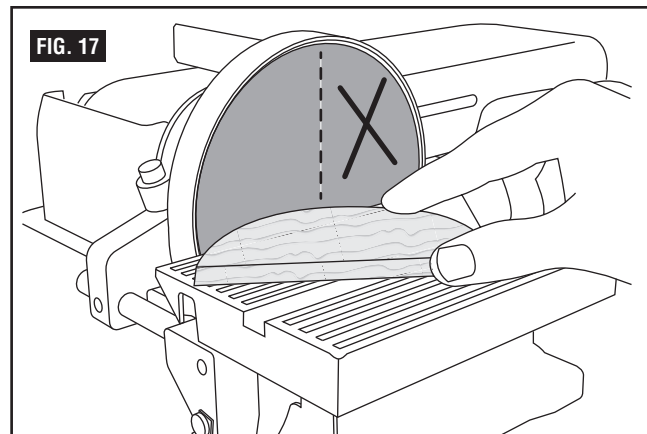
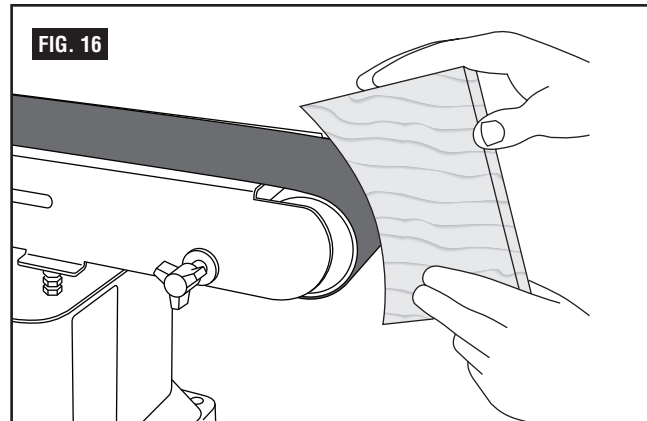
Applying the end of the workpiece to the idler drum could cause the work piece to fly up and result in an injury.

2. Always sand outside curves on the left hand side of the sanding disc, as shown in figure 17.

⚠ WARNING Applying the workpiece to the right side of the disc could cause workpiece to fly up (kickback) and result in injury.

Sanding small end surfaces on the sanding disc (Fig. 18)

1. Use of the miter gauge is recommended for this operation.
2. Rest the workpiece against the edge of the miter gauge.
3. Always move the work across the left hand side of the sanding disc, as shown in figure 18.
4. The table may be tilted for bevelled work.



Maintaining Your Belt/Disc Sander

Maintenance

⚠ WARNING To reduce the risk of injury, turn power switch “OFF” and remove plug from the power source outlet before maintaining or lubricating your sander.

GENERAL

Frequently blow out any dust that may accumulate inside the motor.

An occasional coat of paste wax on the work table will allow the wood being sanded to glide smoothly across the work surface.

⚠ CAUTION Certain cleaning agents and solvents damage plastic parts. Including: gasoline, carbon tetrachloride, chlorinated cleaning solvents, ammonia and household detergents that contain ammonia. Avoiding use of these and other types of cleaning agents minimizes the probability of damage.

⚠ WARNING To avoid shock or fire hazard, if the power cord is worn, cut or damaged in any way, have it replaced immediately.

⚠ WARNING All repairs, electrical or mechanical, should be attempted only by trained repairmen. Contact the nearest Skil Factory Service Center, Authorized Skil Service Station or other competent repair service. Use only Skil replacement parts; any other may create a hazard.

Accessories

Use only recommended accessories. Follow instructions that accompany accessories. Use of improper accessories may cause hazards.

Troubleshooting

⚠ WARNING Turn switch “OFF” and always remove plug from the power source before trouble shooting.

TROUBLE: WILL NOT START

- PROBLEM**
1. Power cord is not plugged in.
 2. Fuse or circuit breaker tripped.
 3. Cord damaged.
 4. Switch not functioning.

- REMEDY**
1. Plug in.
 2. Replace fuse or reset tripped circuit breaker.
 3. Have cord replaced by an Authorized Skil Service Center or Service Station.
 4. Have switch replaced by an Authorized Skil Service Center or Service Station.

TROUBLE: DOES NOT COME UP TO SPEED

- PROBLEM**
1. Extension cord too light or too long.
 2. Low house voltage.

- REMEDY**
1. Replace with adequate cord.
 2. Contact your electric company.

TROUBLE: BELT/DISC DO NOT ROTATE, MOTOR IS RUNNING

- PROBLEM**
1. Drive belt is too loose or broken.

- REMEDY**
1. Have drive belt replaced by an Authorized Skil Service Station.

Consignes générales de sécurité



AVERTISSEMENT

LISEZ TOUTES LES CONSIGNES. Le non-respect des consignes de sécurité indiquées ci-dessous et d'autres précautions de sécurité de base peut entraîner des blessures corporelles graves.

Lieu de travail

GARDEZ LES ENFANTS À UNE DISTANCE APPROPRIÉE

Ne laissez pas les visiteurs entrer en contact avec un outil ou un fil de rallonge. Tous les visiteurs doivent être gardés à une distance suffisante du lieu de travail pour garantir leur sécurité.

MAINTENEZ LE LIEU DE TRAVAIL PROPRE

Les zones et tables encombrées augmentent les risques d'accidents.

ASSUREZ LA SÉCURITÉ DES ENFANTS DANS L'ATELIER

Utilisez des cadenas et/ou des coupe-circuits, ou retirez les clés de mise en marche.

ÉVITEZ LES ENVIRONNEMENTS DANGEREUX

N'utilisez pas les outils dans des endroits humides. Gardez la zone de travail bien éclairée. N'exposez pas les outils électriques à la pluie. N'utilisez pas l'outil en présence de liquides ou de gaz inflammables.

Sécurité personnelle

CONNAISSEZ VOTRE OUTIL ÉLECTRIQUE

Lisez et comprenez le mode d'emploi et les étiquettes apposées sur l'outil. Apprenez son application et ses limitations, ainsi que les risques spécifiques possibles associés à l'emploi de cet outil.

NE VOUS PENCHEZ PAS EXCESSIVEMENT

Maintenez toujours une bonne assise pour ne pas risquer de perdre l'équilibre.

RESTEZ ALERTE

Faites attention à ce que vous faites. Faites preuve de bon sens. N'utilisez pas cet outil lorsque vous êtes fatigué. Ne vous en servez pas après avoir consommé de l'alcool ou lorsque vous prenez des médicaments altérant votre état mental.

PORTEZ DES VÊTEMENTS APPROPRIÉS

Ne portez pas de vêtements lâches, de gants, de cravate, de bagues, de bracelets ou d'autres bijoux qui risqueraient d'être attrapés dans des pièces en mouvement. Il est recommandé de porter des chaussures à semelle antidérapante. Couvrez-vous les cheveux si vous avez les cheveux longs.

UTILISEZ TOUJOURS DES LUNETTES DE SÉCURITÉ

Utilisez aussi un masque facial ou un masque antipoussières si l'opération de coupe produit de la sciure, et portez des bouches-oreilles en cas d'utilisation prolongée. Les lunettes ordinaires n'ont que des lentilles à l'épreuve des chocs – elles NE sauraient remplacer des lunettes de sécurité.

PROTECTION CONTRE LES CHOCS ÉLECTRIQUES

Empêchez tout contact de quelconques parties de votre corps avec des surfaces mises à la terre – par exemple : tuyaux, radiateurs, cuisinière électrique, enceinte de réfrigérateur.

DÉBRANCHEZ LES OUTILS DE LA SOURCE

D'ALIMENTATION ÉLECTRIQUE

Lorsque l'outil n'est pas utilisé, avant une opération d'entretien, lors du changement de lames, de mèches, de couteaux, etc.

LAISSEZ LES DISPOSITIFS DE PROTECTION À LEUR PLACE

En bon ordre de fonctionnement, et bien ajustés et alignés

RETIREZ LES CLÉS ET CLAVETTES DE RÉGLAGE

Lorsque l'outil n'est pas utilisé, avant une opération d'entretien, lors du changement de lames, de mèches, de couteaux, etc.

DIMINUEZ LE RISQUE DE MISE EN MARCHÉ ACCIDENTELLE

Assurez-vous que l'interrupteur est dans la position hors tension (« OFF ») avant de brancher l'outil.

METTEZ TOUS LES OUTILS À LA TERRE

Cet outil est muni d'un cordon à trois conducteurs agréé et d'une fiche de mise à la terre de type à trois broches qui sont compatibles avec la prise de mise à la terre du type approprié. Le conducteur vert du cordon est le fil de mise à la terre. Ne connectez jamais le fil vert à une borne sous tension.

NE MONTEZ JAMAIS SUR L'OUTIL OU SUR SON SUPPORT

Vous risqueriez une blessure grave si l'outil basculait ou en cas de contact accidentel avec l'outil. Ne placez pas de matériaux sur l'outil ou à proximité de celui-ci de telle manière qu'il pourrait être nécessaire de monter sur l'outil ou sur son support pour les atteindre.

INSPECTEZ LES PIÈCES ENDOMMAGÉES LE CAS ÉCHÉANT

Avant de continuer à utiliser l'outil, inspectez attentivement tout dispositif de protection ou autre élément endommagé pour vous assurer qu'il fonctionne correctement et joue le rôle qu'il est censé jouer. Vérifiez l'alignement des pièces mobiles, les mécanismes de montage et tous les autres problèmes éventuels qui pourraient affecter le fonctionnement. Il faut remplacer tout dispositif de protection ou autre élément endommagé comme il se doit.



AVERTISSEMENT

Il ne faut demander qu'à des réparateurs ayant reçu la formation nécessaire d'effectuer des réparations, qu'elles soient électriques ou mécaniques. Contactez le Centre de service usine Skil, un Centre de service après-vente agréé ou un autre service de réparation qualifié.



AVERTISSEMENT

N'utilisez que des pièces de rechange Skil ; l'emploi de pièces différentes risquerait d'être dangereux.



AVERTISSEMENT

L'utilisation d'accessoires quelconques qui ne figurent pas dans le catalogue Skil actuel risquerait d'être dangereuse.

« CONSERVEZ CES CONSIGNES D'UTILISATION/DE SÉCURITÉ »

Consignes de sécurité additionnelles

Emploi de l'outil

NE FORCEZ PAS L'OUTIL

L'outil fonctionnera mieux et de façon moins dangereuse à la vitesse pour laquelle il a été conçu.

UTILISEZ L'OUTIL QUI CONVIENT

Ne forcez pas un petit outil ou accessoire pour faire le travail d'un outil plus robuste. N'utilisez pas d'outils à des fins pour lesquelles ils n'ont pas été conçus – par exemple, n'utilisez pas de scie circulaire pour couper des branches d'arbres ou des bûches.

ASSUJETTISSEZ L'OUVRAGE

Utilisez des brides ou des étaux pour maintenir l'ouvrage en place. C'est plus sûr que d'utiliser vos mains, et cela vous permet de vous servir de vos deux mains pour utiliser l'outil.

NE LAISSEZ JAMAIS UN OUTIL EN MARCHÉ SANS SURVEILLANCE

Mettez l'outil hors tension. Ne vous en éloignez pas avant qu'il se soit complètement arrêté.

Entretien de l'outil

N'ALTÉREZ PAS L'OUTIL ET UTILISEZ-LE CONFORMÉMENT AUX INSTRUCTIONS

Ces outils sont construits avec une grande précision. Toute altération ou modification non spécifiée constitue une utilisation non conforme qui risquerait de causer des conditions dangereuses.

ÉVITEZ D'UTILISER DANS UN ENVIRONNEMENT GAZEUX

N'utilisez pas d'outils électriques dans une atmosphère gazeuse ou explosive. Les moteurs associés à ces outils produisent généralement des étincelles qui risqueraient de causer des conditions dangereuses.

ENTRETIENEZ SOIGNEUSEMENT LES OUTILS

Gardez les outils bien aiguisés et propres pour obtenir le meilleur rendement et réduire les dangers. Suivez les instructions pour lubrifier et changer les accessoires. Inspectez périodiquement les cordons électriques des outils et, s'ils sont endommagés, faites-les réparer par un service de réparation agréé. Inspectez périodiquement les fils de rallonge et remplacez-les s'ils sont endommagés. Maintenez les poignées sèches et propres, et assurez-vous qu'il n'y a pas de taches d'huile ou de graisse.

AVERTISSEMENT

Avant de brancher l'outil dans une source d'alimentation électrique (prise de courant, connecteur de prolongation, etc.), assurez-vous que la tension fournie est la même que celle qui est indiquée sur la plaque signalétique de l'outil. Une source d'alimentation électrique ayant une tension supérieure à celle qui est spécifiée pour l'outil pourrait causer des blessures graves à l'utilisateur, ainsi que des dommages à l'outil. Si vous avez le moindre doute, NE BRANCHEZ PAS L'OUTIL. L'utilisation d'une source d'alimentation électrique ayant une tension inférieure à celle de la plaque signalétique est mauvaise pour le moteur.

Pour votre propre sécurité, ne faites pas fonctionner votre ponceuse avant qu'elle ne soit complètement assemblée et installée conformément aux instructions ... et avant d'avoir lu et compris ce qui suit :

1. Consignes générales de sécurité	17-19
2. Spécifications du moteur et spécifications électriques	20
3. Connaissance élémentaire de votre ponceuse à courroie/à disque	23
4. Assemblage et réglage	24-27
5. Utilisation.....	28-30
6. Entretien de votre ponceuse	31

7. STABILITÉ DE LA PONCEUSE À COURROIE/À DISQUE

Si la ponceuse à courroie/à disque a la moindre tendance à pencher ou à bouger pendant l'emploi, boulonnez-la sur le dessus de l'établi ou sur un morceau de contreplaqué pour usage extérieur de 3/4 po d'épaisseur qui soit assez grand pour stabiliser la ponceuse. Boulonnez le contreplaqué en dessous de la base de telle sorte qu'il s'étende au-delà des côtés de la base. N'UTILISEZ PAS DE PANNEAUX DE PARTICULES car ils risqueraient de se casser soudainement. Si l'ouvrage est trop grand pour pouvoir être supporté facilement d'une main, il faut ajouter un support auxiliaire.

8. EMPLACEMENT

Utilisez la ponceuse dans un endroit bien éclairé et sur une surface horizontale, propre et suffisamment lisse pour réduire le risque de trébucher ou de tomber. Utilisez-la à des endroits où ni l'opérateur, ni l'observateur occasionnel ne sera forcé de se trouver à un endroit où un choc en retour est possible.

9. PROTECTION : yeux, mains, oreilles et corps.

AVERTISSEMENT POUR NE PAS RISQUER D'ÊTRE HAPPÉ PAR L'OUTIL EN MOUVEMENT –

NE PORTEZ PAS : de gants lâches
de cravate
de vêtements lâches
de bijoux

FAITES CECI : ATTACHEZ VOS CHEVEUX LONGS DERRIÈRE VOTRE DOS
REMONTÉZ VOS MANCHES LONGUES AU-DESSUS DU COUDE

a. Si un élément quelconque de votre ponceuse à courroie / à disque est absent, fonctionne mal ou a été endommagé ou cassé ... comme l'interrupteur du moteur ou une autre commande affectant le fonctionnement, un mécanisme de sécurité ou le cordon d'alimentation ... cessez immédiatement de vous servir de la scie jusqu'à ce que l'élément en question ait été réparé de façon appropriée ou remplacé.

b. Ne mettez jamais les doigts dans une position telle qu'ils risqueraient d'entrer en contact avec le papier de verre ou un autre instrument coupant au cas où l'ouvrage se déplacerait soudainement ou si votre main glissait.

Consignes de sécurité additionnelles

c. Pour éviter que l'ouvrage ne soit arraché de vos mains, ne tourne sur lui-même sur la table, ne fracasse l'outil ou ne soit éjecté de la table, supportez toujours votre ouvrage de façon qu'il ne risque pas de bouger ou de coincer l'outil.

d. Ne déplacez jamais le support de table pendant que l'outil est en marche.

e. Avant de commencer une opération, poussez l'interrupteur du moteur pour vous assurer que la courroie de la ponceuse ou un autre outil de coupe n'a pas de jeu ou ne cause pas de vibrations.

f. Si un ouvrage dépasse de la table à tel point qu'il tombera ou basculera s'il n'est pas soutenu, fournissez un support accessoire.

g. Utilisez des appareils d'appoint pour des opérations hors du commun afin de tenir, guider et positionner adéquatement l'ouvrage.

h. Mettez l'interrupteur du moteur en position d'arrêt (« OFF ») et débranchez le cordon de la prise de courant quand l'outil n'est pas utilisé.

i. Supportez toujours l'ouvrage avec le guide d'onglet, une plaque d'appui arrière ou la table de travail.

j. Gardez les doigts à distance des points de pincement entre la courroie/le disque et le logement.

k. Maintenir un jeu de 1/16 po au maximum entre la table/les butées et la courroie ou le disque de ponçage.

l. Maintenir l'alignement et le réglage de la tension appropriés pour la courroie de ponçage.

m. Évitez tout risque de choc en retour (projection de l'ouvrage vers vous) – N'utilisez pas la moitié droite du disque et ne travaillez pas du côté gauche de la butée de l'ouvrage pour la courroie.

n. Pour éviter tout risque de blessure résultant de la projection de l'ouvrage ou d'un contact avec l'outil, N'EFFECTUEZ PAS de travail de configuration, d'assemblage ou de montage sur la table pendant que l'outil est en train de tourner.

o. N'exposez pas l'outil à la pluie et ne l'utilisez pas dans des endroits très humides.

p. Débranchez la ponceuse avant de faire de quelconques changements, réglages ou réparations de la courroie ou du disque.

11. SENS D'AVANCÉE DE L'OUVRAGE POUR LE PONÇAGE AVEC UNE PONCEUSE À TAMBOUR

AVERTISSEMENT Faites avancer l'ouvrage à contresens de la rotation dans un tambour de ponçage ou un autre accessoire approuvé.

12. LA SÉCURITÉ AVANT TOUT

LA SÉCURITÉ EST UNE COMBINAISON DE BON SENS DE L'OPÉRATEUR ET DE VIVACITÉ D'ESPRIT À TOUT MOMENT PENDANT QUE LA PONCEUSE EST EN TRAIN DE FONCTIONNER.

AVERTISSEMENT Il faut toujours rester vigilant, même si, au bout d'un certain temps, le fait d'avoir utilisé souvent votre scie à chantourner risque de vous faire croire qu'il n'existe aucun danger. Souvenez-vous toujours qu'une seconde d'inattention est suffisante pour causer une blessure grave.

AVERTISSEMENT



Porter une protection des yeux

L'utilisation de n'importe quel outil électrique peut causer la projection de corps étrangers dans les yeux, ce qui risquerait de causer des lésions graves aux yeux. Portez toujours des lunettes de sécurité conformes à la norme ANSI Z87.1 avant de commencer à vous servir d'un outil électrique.

AVERTISSEMENT Certaines poussières créées par des opérations de ponçage, de sciage, de rectification, de perçage et d'autres activités de construction avec des outils électriques contiennent des produits chimiques qui sont connus comme causant des cancers, des malformations congénitales et d'autres problèmes affectant la reproduction. Voici quelques exemples de tels produits chimiques :

- Le plomb de peintures à base de plomb,
- La silice cristalline de briques et de ciment, ainsi que d'autres produits de maçonnerie, et
- L'arsenic et le chrome de bois d'œuvre ayant subi un traitement chimique.

Votre risque résultant de telles expositions est variable, selon la fréquence de votre exposition. Pour réduire votre exposition à de tels produits chimiques : travaillez dans un endroit bien ventilé et en portant un matériel de sécurité agréé, comme un masque antipoussières qui est conçu spécialement pour filtrer les particules microscopiques.

NOTEZ ET RESPECTEZ LES AVERTISSEMENTS ET LES CONSIGNES DE SÉCURITÉ QUI FIGURENT SUR LE PANNEAU DE LA PONCEUSE :

Sujétese el pelo largo detrás de la cabeza. ▲ No utilice la herramienta cerca de materiales inflamables. ▲ Desenchufe la lijadora antes de hacer cambios de correa/rueda, ajustes o reparaciones. ▲ Mantenga un ajuste apropiado de la tensión y la alineación de la correa de lijar. ▲ No exponga la herramienta a la lluvia ni la use en lugares húmedos.

AVERTISSEMENT Pour votre propre sécurité – Lisez et comprenez le mode d'emploi avant de vous servir de la ponceuse à courroie/à disque. ▲ Portez des lunettes de sécurité ou des lunettes étanches et un masque de protection contre la poussière. ▲ Supportez toujours l'ouvrage avec le guide d'onglet, la plaque d'appui arrière ou la table de travail. ▲ Gardez les doigts à bonne distance des points de pincement entre la courroie/le disque et le bâti. ▲ Maintenez un écart de 1/16 po (1,5 mm) au maximum entre la table/les butées et la courroie ou le disque de ponçage. ▲ Évitez les risques de rebond (projection de l'ouvrage vers vous) – N'utilisez pas la moitié droite du disque, ou travaillez du côté gauche de la butée de l'ouvrage si vous utilisez la ponceuse à courroie. ▲ Ne portez pas de gants ou vêtements lâches. Attachez les cheveux longs derrière la tête. ▲ N'utilisez pas la ponceuse à proximité de matériaux inflammables. ▲ Débranchez la ponceuse avant de changer la courroie ou la meule, ou d'effectuer un réglage ou une réparation. ▲ Assurez-vous que la tension et l'alignement de la courroie de ponçage sont toujours bien réglés. ▲ N'exposez pas la ponceuse à la pluie et ne l'utilisez pas dans des endroits humides.

Spécifications du moteur et spécifications électriques

Spécifications générales

Tension nominale	120 V, 60 Hz
Débit nominal en ampères	4.3 A
Vitesse à vide	N_0 3 450 tr/mn
Dimensions de la table	7.4 po x 5 po (18.8 cm x 12.7cm)

Spécifications du moteur

En cas de dysfonctionnement ou de panne de fonctionnement, la mise à la terre fournit un trajet de moindre résistance pour le courant électrique afin de réduire le risque de choc électrique. Cet outil est équipé d'un cordon électrique muni d'un conducteur de mise à la terre de l'équipement et d'une fiche de mise à la terre. La fiche doit être branchée dans une prise appropriée qui est installée correctement et mise à la terre conformément à tous les codes et à toutes les ordonnances applicables.

Cette ponceuse à courroie/à disque est conçue pour utiliser un moteur de 1 700 tr/mn. Elle est câblée pour un fonctionnement avec alimentation en courant alternatif de 110-120 volts, 60 Hz. Avant de connecter le cordon du moteur à la source d'alimentation électrique, assurez-vous que l'interrupteur est dans la position hors tension (« OFF ») et vérifiez que le courant électrique a les mêmes caractéristiques que celles qui sont estampées sur la plaque signalétique de la ponceuse à courroie/à disque.

Raccordement à une source d'alimentation

Cette machine doit être mise à la terre pendant son emploi afin de protéger l'opérateur contre les risques de chocs électriques.

Branchez le cordon d'alimentation électrique dans une prise de courant de 110-120 V du type correctement mis à la terre protégée par un disjoncteur ou un fusible à temporisation double de 15 ampères.

Toutes les prises de courant ne sont pas obligatoirement mises à la terre correctement. Si vous n'êtes pas certain que votre prise de courant, telle qu'illustrée à la Fig. 1, est bien mise à la terre, demandez à un électricien professionnel de l'inspecter.

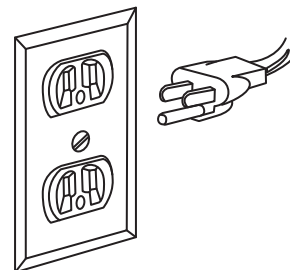
⚠ DANGER Pour éviter tout risque de choc électrique, ne touchez pas les broches en métal de la fiche lorsque vous installez la fiche dans la prise de courant ou lorsque vous l'en retirez.

⚠ DANGER L'absence de mise à la terre correcte de cet outil électrique peut causer une électrocution ou un choc électrique grave, en particulier en cas d'utilisation à proximité de canalisations en métal ou d'autres objets en métal. En cas de choc électrique, votre réaction pourrait causer un contact accidentel entre vos mains et l'outil.

⚠ AVERTISSEMENT Si le cordon d'alimentation est usé, coupé ou endommagé de quelque façon que ce soit, faites-le remplacer immédiatement pour éviter tout risque de choc électrique ou d'incendie.

Votre appareil est conçu pour une alimentation électrique de 120 volts ; il a des fiches qui ressemblent à celle de la Figure 1.

FIG. 1



Cet outil électrique est muni d'un cordon à trois conducteurs et d'une fiche mise à la terre agréés par Underwriters Laboratories et par l'Association Canadienne de Normalisation. Le conducteur de mise à la terre a une gaine verte et est attaché au bâti de l'outil à un bout et à la broche de mise à la terre de la fiche de raccordement à l'autre bout.

Si la prise de courant que vous avez l'intention d'utiliser pour cet outil électrique est du type à deux broches, IL NE FAUT PAS RETIRER LA BROCHE DE MISE À LA TERRE OU L'ALTÉRER DE QUELQUE FAÇON QUE CE SOIT. Demandez à un électricien professionnel de remplacer la prise de courant à DEUX trous par une prise de courant à TROIS trous mise à la terre correctement.

Une connexion incorrecte du conducteur de mise à la terre de l'équipement peut créer un risque de choc électrique. Le conducteur avec une isolation dont la surface extérieure est verte, avec ou sans bandes jaunes, est le conducteur prévu pour l'équipement. S'il s'avère nécessaire de réparer ou de remplacer le cordon électrique ou la fiche, ne connectez pas le conducteur de mise à la terre de l'équipement à une borne sous tension.

Consultez un électricien professionnel ou un technicien qualifié si les instructions de mise à la terre ne sont pas complètement comprises ou si vous n'êtes pas certain que l'outil est mis à la terre correctement.

Utilisez toujours un cordon de rallonge approprié. L'emploi de quelque cordon de rallonge que ce soit causera une certaine perte de puissance. Pour réduire cette perte au minimum possible et pour empêcher la surchauffe et le claquage du moteur, utilisez le tableau ci-dessous afin de déterminer le diamètre minimum des fils (A.W.G.) du cordon de rallonge. Utilisez seulement des cordons de rallonge à trois fils ayant des fiches du type de mise à la terre à trois broches et des prises de courant à trois trous compatibles avec la fiche de l'outil. Assurez-vous que votre cordon de rallonge est en bon état.

Longueur du cordon de rallonge	Diamètres des fils A.W.G.
0-25 pi (0-7,5 m)	18
26-50 pi (7,8-15 m)	16
51-100 pi (15,3-30 m)	16

« CONSERVEZ CES CONSIGNES »

Table des matières

Consignes générales de sécurité	17	Connaissance élémentaire de votre ponceuse à courroie/à disque	23
Consignes de sécurité additionnelles.....	18-19	Assemblage et réglages	24-27
Spécifications du moteur et spécifications électriques	20	Opérations de base avec votre ponceuse à courroie/à disque	28-30
Table des matières	21	Entretien de votre ponceuse à courroie/à disque	31
Déballage et inspection du contenu.....	22	Diagnostic de dépannage.....	31

Déballage et inspection du contenu

⚠ AVERTISSEMENT Pour réduire le risque de blessure, ne branchez jamais la fiche dans une prise de courant avant que toutes les étapes de la procédure d'assemblage ne soient terminées et avant d'avoir lu et compris la totalité du mode d'emploi.

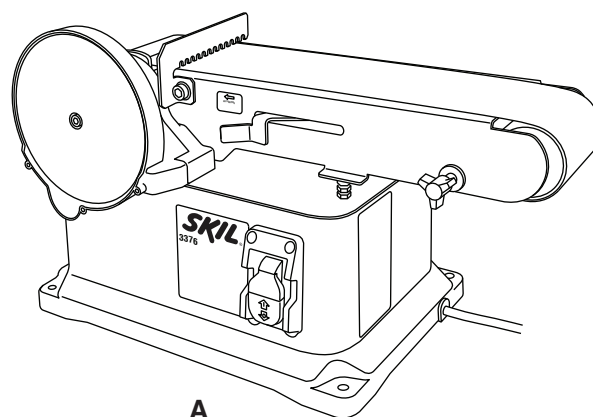
La ponceuse à courroie/à disque modèle 3376 est expédiée complète dans une seule boîte.

Déballage et inspection du contenu. Séparez toutes les pièces des matériaux d'emballage et inspectez chaque pièce en la comparant avec le « Tableau des pièces en vrac » pour vous assurer que toutes les pièces sont présentes avant de mettre au rebut de quelconques matériaux d'emballage.

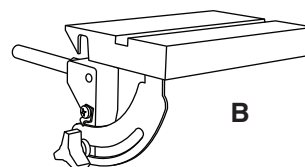
⚠ AVERTISSEMENT Si de quelconques pièces sont manquantes, ne tentez pas d'assembler la ponceuse, de brancher son cordon d'alimentation ou de mettre l'interrupteur dans la position de marche avant de vous être procuré toutes les pièces manquantes et de les avoir installées correctement.

Tableau des pièces en vrac

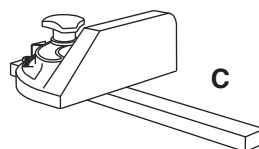
ARTICLE	DESCRIPTION	QTE
A	Ponceuse à courroie/à disque	1
B	Table de travail	1
C	Guide d'onglet	1
D	Disque de ponçage	1
E	Dispositif de protection du disque	1
F	Vis à tête cylindrique large M4.2 x 9.5	3



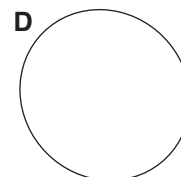
A



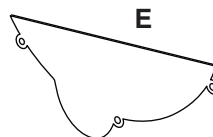
B



C



D



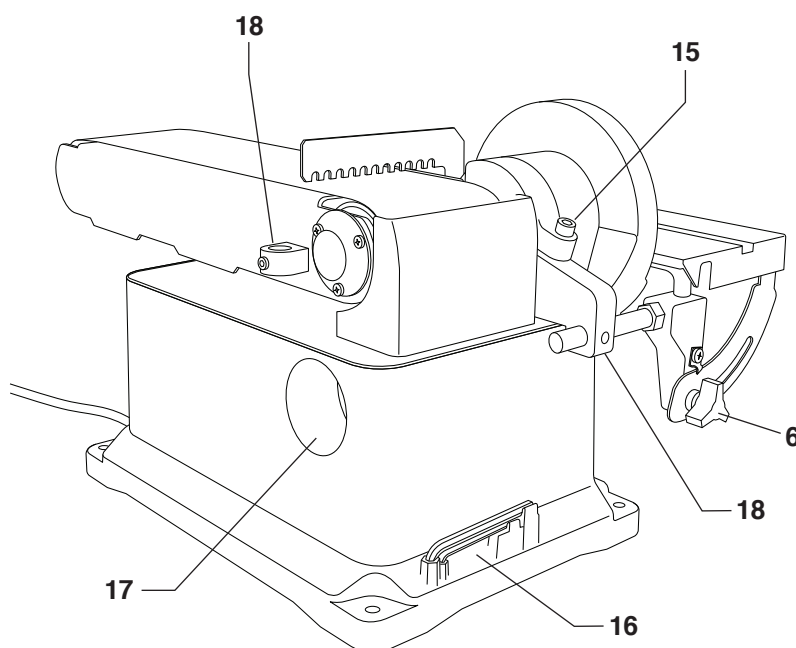
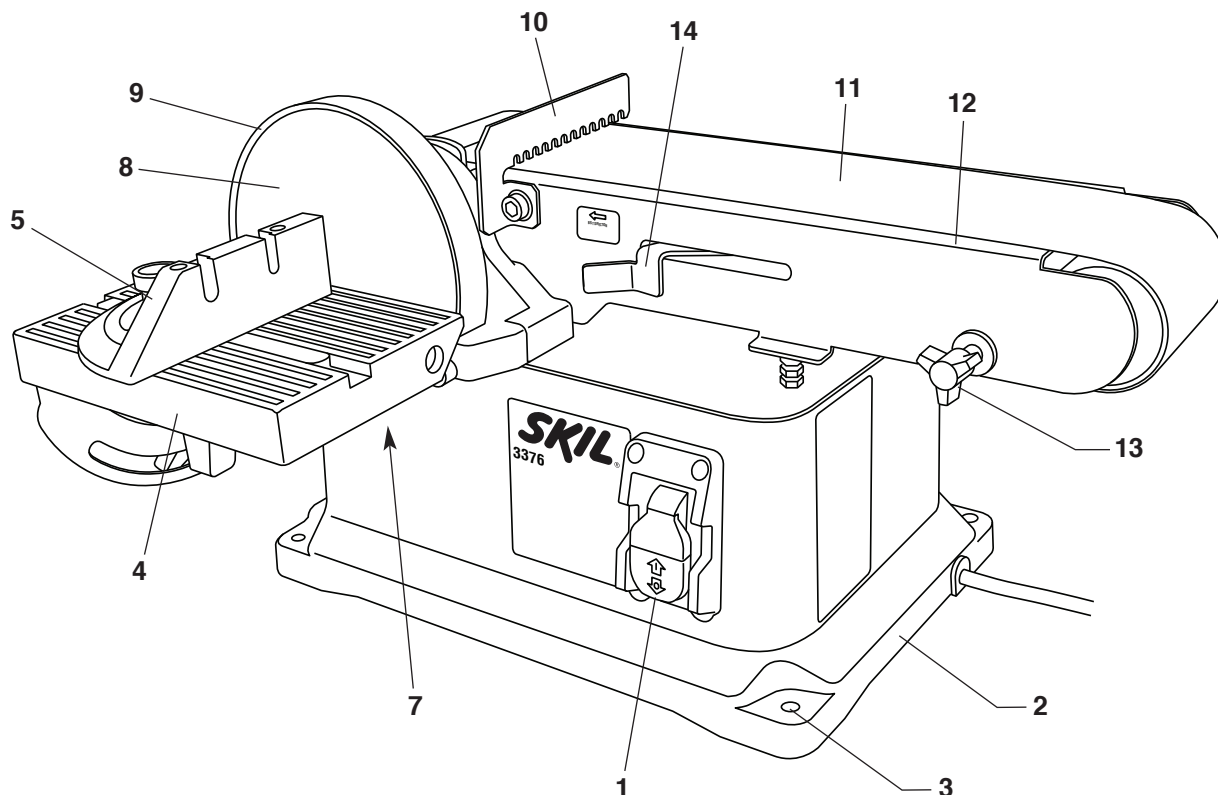
E



F



Connaissance élémentaire de votre ponceuse à courroie/à disque



1. Interrupteur de marche/arrêt (On/Off) avec clé de sécurité
2. Base
3. Trous de montage (x4)
4. Table de travail
5. Guide d'onglet
6. Bouton de verrouillage de la table
7. Dispositif de protection du disque
8. Disque de ponçage
9. Plaque de ponçage
10. Support de l'ouvrage
11. Courroie de ponçage
12. Lit de la courroie
13. Bouton de contrôle de la courroie
14. Levier de réglage de la tension de la courroie
15. Vis de verrouillage du lit de la courroie
16. Aire de rangement pour les clés six pans (4 mm & 6 mm)
17. Orifice de dépoussiérage (pour les tuyaux standard de 2,5 po / 63,5 mm)
18. Support de montage de la table (x2)



Assemblage et réglages

⚠ AVERTISSEMENT Pour réduire le risque de blessure, ne connectez jamais la fiche à une prise de courant avant que toutes les étapes de l'assemblage n'aient été accomplies.

Installation du disque de ponçage et du dispositif de protection du disque (Fig. 2 & 3)

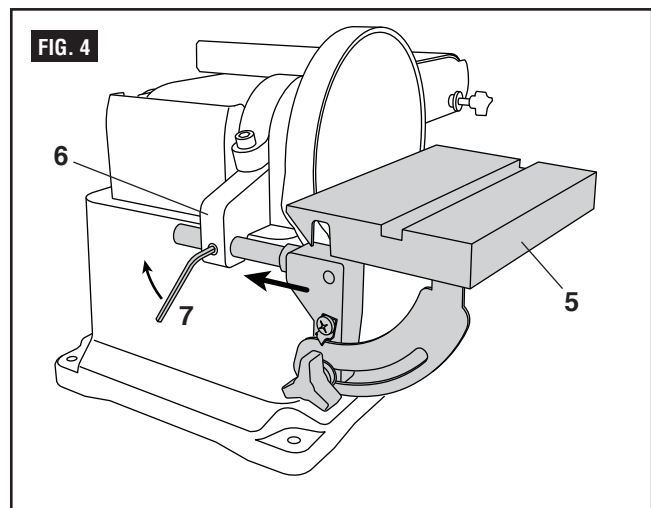
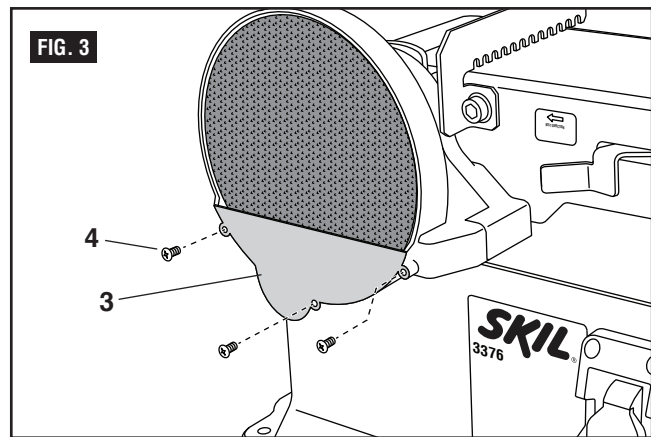
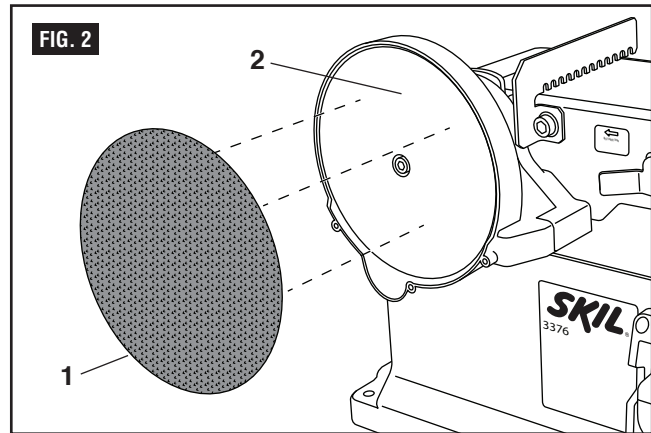
1. Retirez le dossier du disque de ponçage (1). Aligned le périmètre du disque avec la plaque de ponçage (2) et appuyez sur le disque pour le mettre fermement en place tout autour, comme cela est illustré à la Figure 2.
2. Localisez le dispositif de protection du disque (3) et trois vis à tête cylindrique bombée (4).
3. Positionnez le dispositif de protection du disque contre le tiers inférieur des trous d'alignement du disque.
4. En utilisant un tournevis à pointe cruciforme, assujettissez fermement les vis à tête panoramique en appliquant une légère pression pour tarauder les trous, comme cela est illustré à la Figure 3.
5. Ajustez le cache supérieur du disque (5) pour maintenir un écart de 1/16 po. Desserrez les deux vis, réglez selon les besoins et serrez à nouveau.

Remarque : utiliser exclusivement des disques abrasifs de 6 po.

Installation de l'ensemble de table (Fig. 4)

1. Faites glisser la table (5) dans le support de montage de la table (6) de la base, comme illustré à la Figure 4.
2. Utilisez la clé six pans de 4 mm (7) pour fixer la table en place.

⚠ AVERTISSEMENT Pour ne pas risquer de coincer l'ouvrage ou les doigts entre la table et la surface de ponçage, il faut que le bord de la table soit au maximum à 1/16 po (1,6 mm) de la surface de ponçage.



Assemblage et réglages

Installation de la courroie de ponçage (Fig. 5-7)

⚠ AVERTISSEMENT Pour ne pas risquer de blessure en conséquence d'une mise en marche accidentelle, mettez l'interrupteur à l'arrêt (« OFF »), retirez la clé et débranchez la fiche de la prise de courant avant de retirer ou d'installer la courroie.

Assurez-vous que la table est retirée du lit de la courroie. Placez le lit de la courroie à un angle de 45 degrés pour faciliter le changement des courroies (voir la rubrique intitulée « Montage auxiliaire pour ponçage vertical » pour les instructions relatives à l'ajustement du lit de la courroie).

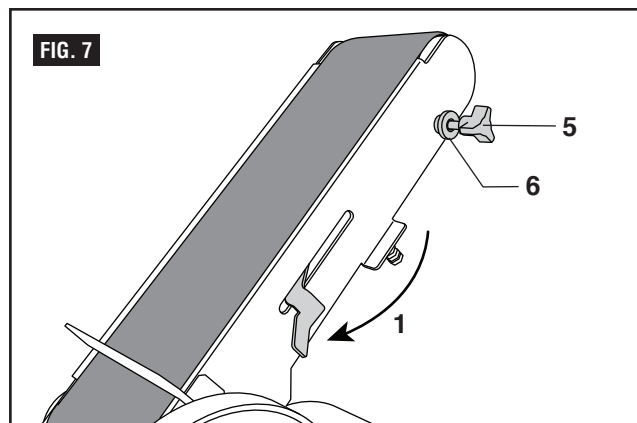
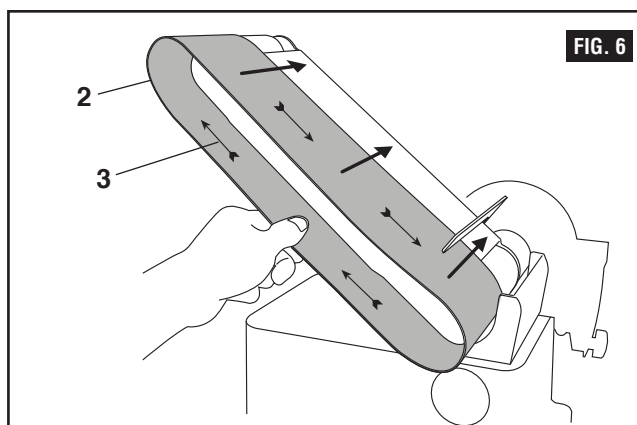
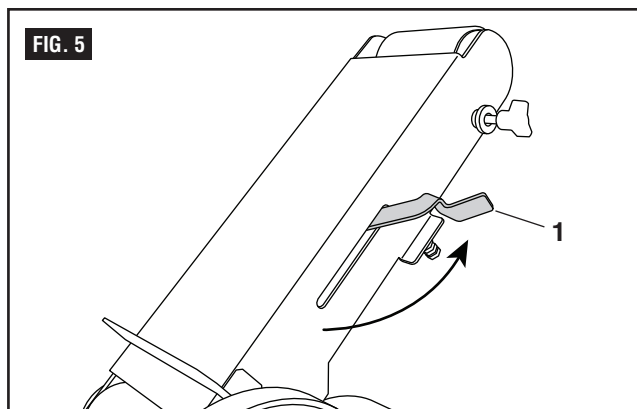
Vous verrez une 'flèche directionnelle' sur le côté lisse de la courroie de ponçage. La courroie de ponçage doit avancer dans le sens de cette flèche pour ne pas risquer que l'enture de raccordement ne se détache pas.

1. Faites glisser le levier de réglage de la tension (1) vers la droite afin de relâcher la tension de la courroie, comme illustré à la Figure 5.
2. Placez la courroie de ponçage (2) au-dessus des poulies de façon que la flèche directionnelle (3) soit orientée dans le sens contraire des aiguilles d'une montre, Figure 6. Assurez-vous que la courroie est centrée sur les deux poulies.
3. Faites glisser le levier de réglage de la tension vers la gauche pour appliquer une tension sur la courroie, comme cela est illustré à la Figure 7.

Remarque : utiliser exclusivement des courroies abrasives de 4 x 36 po.

Réglage de la tension et de l'alignement (Fig. 7)

1. Branchez le cordon d'alimentation électrique. Mettez l'interrupteur en marche (« On ») et immédiatement ensuite à l'arrêt (« Off »). Regardez si la courroie a tendance à glisser et à sortir de la poulie motrice ou de la poulie folle. Si ce n'est pas le cas, cela signifie qu'elle est ALIGNÉE correctement.
2. Si la courroie de ponçage se déplace en direction du disque, tournez le bouton d'alignement (5) d'un quart de tour dans le sens des aiguilles d'une montre.
3. Si la courroie de ponçage se déplace dans la direction opposée à celle du disque, tournez le bouton d'alignement (5) d'un quart de tour dans le sens contraire des aiguilles d'une montre.
4. Mettez l'interrupteur en marche (« On ») et immédiatement ensuite à l'arrêt (« Off ») et observez le mouvement de la courroie. Procédez à un nouveau réglage du bouton d'alignement si cela est nécessaire.
5. Une fois que la courroie est alignée correctement, tout en maintenant le bouton de réglage de l'alignement de la courroie (5) fermement en place, tournez le bouton de verrouillage de l'alignement de la courroie (6) dans le sens des aiguilles d'une montre jusqu'à ce qu'il soit verrouillé adéquatement.
6. Confirmez l'écart maximum de 1/16" (1.6mm) entre le support de l'ouvrage et la surface de ponçage, et ajustez si nécessaire.

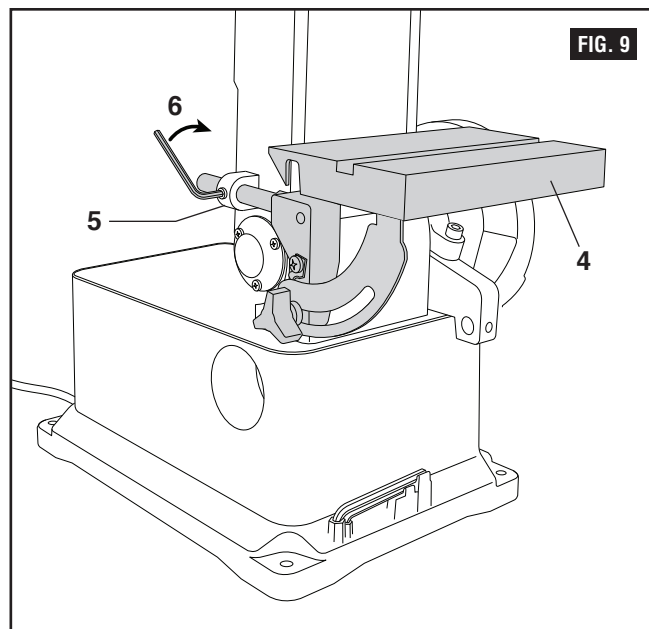
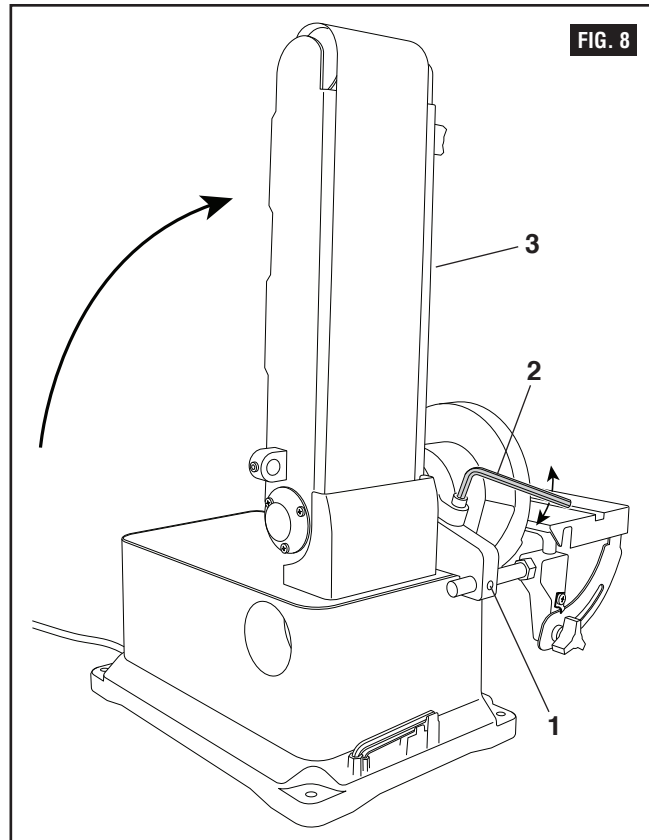


Assemblage et réglages

Montage auxiliaire pour ponçage vertical (Fig. 8 & 9)

1. Retirez l'ensemble de table en desserrant la vis de réglage à six pans (1) à l'aide de la clé six pans de 4 mm.
2. Desserrez la vis de verrouillage du lit de la courroie (2) et élevez le lit de la ponceuse à courroie (3) en position verticale, figure 8.
3. Resserrez la vis de verrouillage (2).
4. Faites glisser la table (4) sur le support de montage de la table (5) du lit de la courroie, comme illustré à la Figure 9.
5. Utilisez la clé six pans de 4 mm (6) pour fixer la table en place.

⚠ AVERTISSEMENT Pour ne pas risquer de pincer l'ouvrage ou les doigts entre le support de l'ouvrage et la surface de ponçage, le bord du support doit être à un maximum de 1/16" (1.6mm) de la surface de ponçage.



Assemblage et réglages

Réglage du support de l'ouvrage (Fig. 10)

⚠ AVERTISSEMENT Pour ne pas risquer de pincer l'ouvrage ou les doigts entre le support de l'ouvrage et la surface de ponçage, le bord du support doit être à un maximum de 1/16" (1.6mm) de la surface de ponçage.

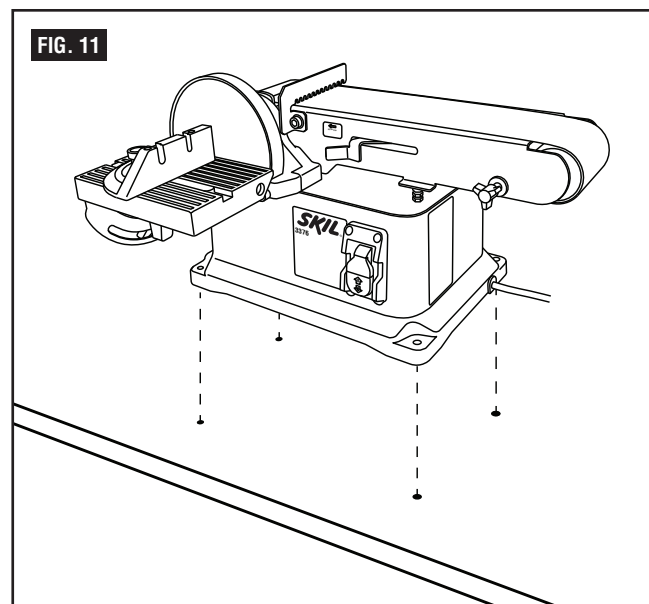
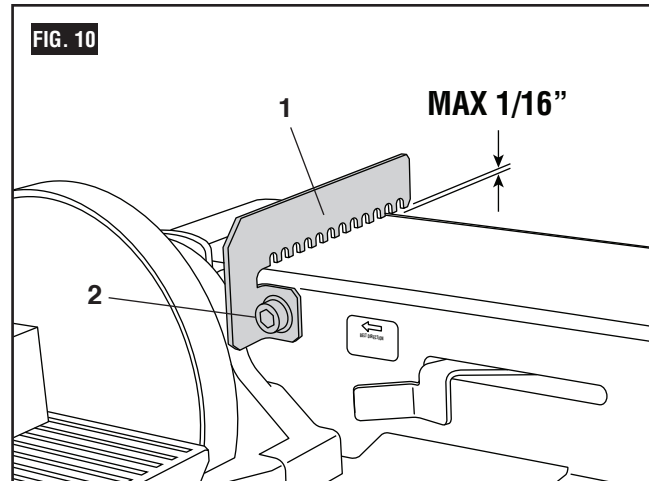
Pour effectuer un réglage : desserrez la vis à six pans (2) du support de l'ouvrage (1), ajustez suivant les besoins, et serrez à nouveau.

Montage de la ponceuse à courroie et à disque sur l'établi (Fig. 11)

Si la ponceuse à courroie et à disque doit toujours être utilisée au même endroit, il est nécessaire de l'assujettir solidement à une surface de support ferme telle qu'un établi.

En cas de montage sur un établi, il faut percer des trous à travers la surface de support de l'établi.

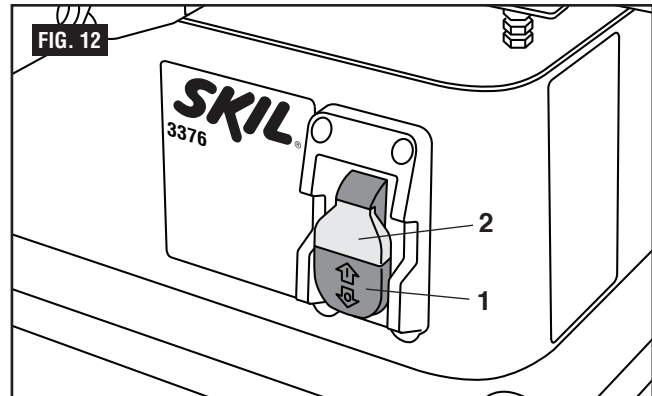
1. L'équipement doit être fixé solidement au moyen de boulons de 1/4 po (M8), de rondelles, de rondelles de blocage et d'écrous à six pans (non inclus).
2. Localisez et marquez les trous où la ponceuse à courroie et à disque doit être montée.
3. Percez quatre de 9,5 mm de diamètre à travers l'établi.
4. Placez la ponceuse à courroie et à disque sur l'établi en alignant les trous percés dans la surface de l'établi.
5. Insérez quatre boulons, rondelles et rondelles de blocage, et serrez les écrous à six pans.



Utilisation

Interrupteur MARCHE/ARRÊT (Fig. 12)

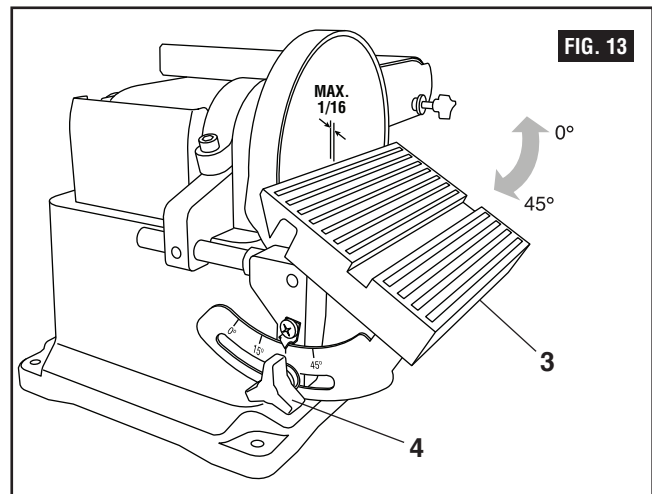
1. Pour mettre la ponceuse sous tension, déplacez l'interrupteur (1) dans la position du haut.
2. Pour mettre la ponceuse hors tension, déplacez l'interrupteur dans la position du bas.
3. Pour verrouiller l'interrupteur dans la position d'arrêt (OFF) :
 - a. Attendez que la ponceuse se soit complètement arrêtée.
 - b. Retirez la clé de sécurité (2) du logement de l'interrupteur. Rangez la clé de sécurité en lieu sûr.
4. Pour déverrouiller l'interrupteur et mettre la ponceuse en marche (ON), insérez la clé de sécurité dans l'interrupteur et mettez ce dernier dans la position de marche (ON).



Ponçage en position angulaire (Fig. 13)

1. La table de travail (3) peut être inclinée de 0° à 45° pour effectuer un ponçage en position angulaire.
2. Desserrez le bouton de verrouillage de la table (4) et inclinez la table de travail à l'angle désirée.
3. Serrez à nouveau le bouton de verrouillage de la table.

⚠ AVERTISSEMENT Pour ne pas risquer de pincer l'ouvrage ou les doigts entre la table et la surface de ponçage, la table doit être repositionnée sur le support de table de façon à conserver un maximum de 1/16" (1.6mm) de distance entre la surface de ponçage et la table.



Utilisation

Ponçage en surface sur la courroie de ponçage (Fig. 14)

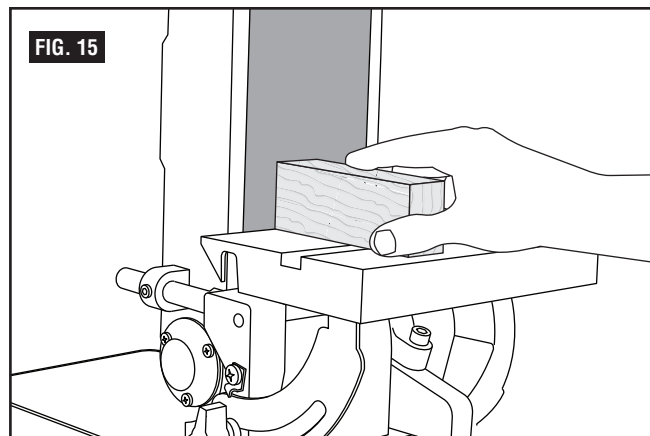
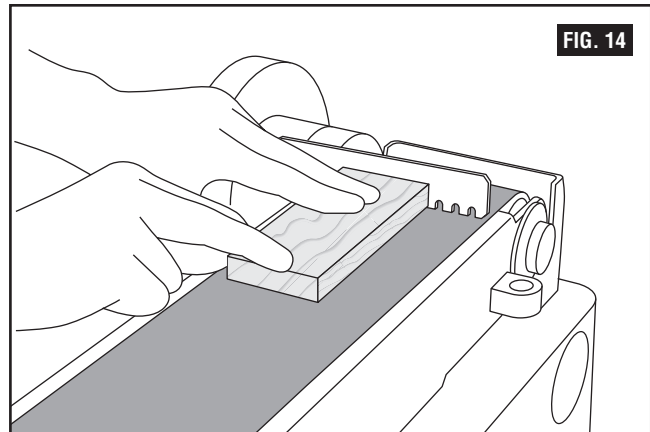
Pour ne pas risquer de blessures causées par des glissements, blocages ou projection de pièces, ajustez la plaque d'appui arrière pour qu'elle ne dépasse pas la surface de ponçage de plus de 1/16" (1.6mm).

Lorsque vous vérifiez le jeu entre la courroie et le support de l'ouvrage, appuyez sur la courroie pour qu'elle soit à plat contre le métal en dessous d'elle.

1. Tenez l'ouvrage fermement avec les deux mains en gardant les doigts à une distance suffisante de la courroie de ponçage.
2. Maintenez le bout de l'ouvrage en contact avec la plaque d'appui arrière et déplacez l'ouvrage uniformément à travers la courroie de ponçage. Faites extrêmement attention lorsque vous poncez des ouvrages très fins.
3. Lorsque vous poncez des ouvrages très longs, retirez le support d'ouvrage.
4. Appliquez seulement assez de pression pour permettre à la courroie de ponçage de retirer tout matériau présent.

Ponçage des bouts de l'ouvrage sur la courroie de ponçage (Fig. 15)

1. Il est plus pratique de poncer les bouts d'ouvrages longs en plaçant la courroie de ponçage en position verticale.
2. Déplacez l'ouvrage uniformément à travers la courroie de ponçage. Utilisez le guide d'onglet pour obtenir une précision supérieure.



Utilisation

Ponçage de bords recourbés (Fig. 16 & 17)

1. Poncez toujours l'intérieur des parties recourbées sur la poulie folle comme cela est indiqué à la Figure 16.

⚠ AVERTISSEMENT Ne tentez jamais de poncer les extrémités d'un ouvrage sur la poulie folle.

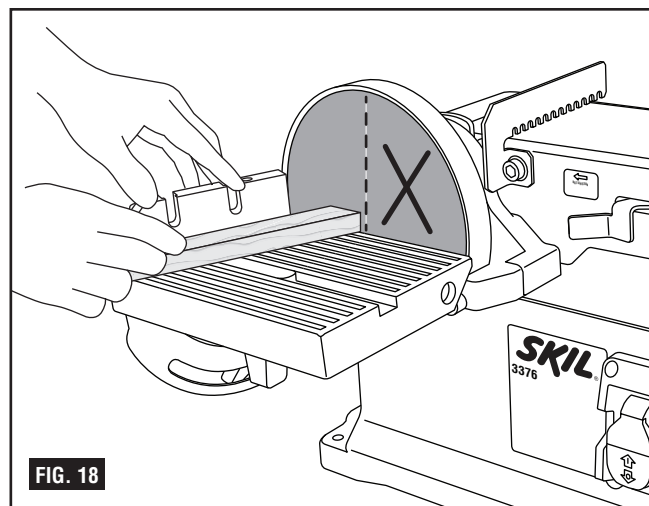
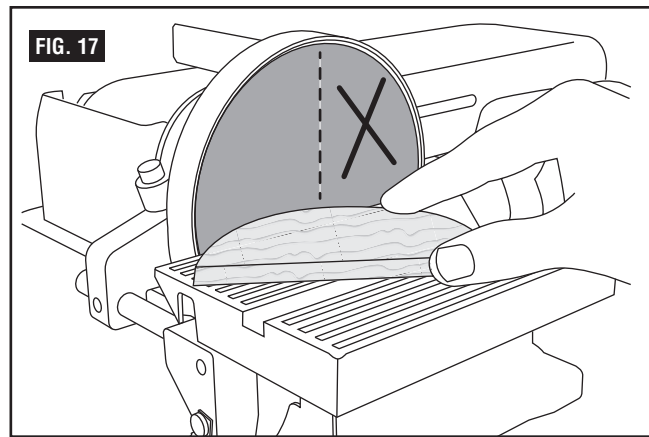
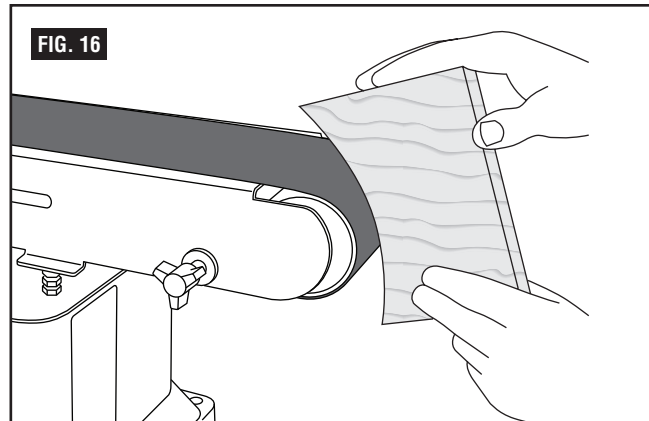
L'application de l'extrémité de l'ouvrage contre la poulie folle causerait la projection de l'ouvrage vers le haut et risquerait de causer des blessures.

2. Poncez toujours l'extérieur des parties recourbées sur le côté gauche du disque de ponçage, comme cela est illustré à la Figure 17.

⚠ AVERTISSEMENT L'application de l'ouvrage sur le côté droit du disque risquerait de causer la projection (choc en retour) de l'ouvrage et causer des blessures.

Ponçage de petites surfaces d'extrémités sur le disque de ponçage (Fig. 18)

1. Il est recommandé d'utiliser le guide d'onglet pour cette opération.
2. Posez l'ouvrage contre le bord du guide d'onglet.
3. Déplacez toujours l'ouvrage à travers le côté gauche du disque de ponçage.
4. Il est possible d'incliner la table pour faire des travaux en position angulaire.



Entretien de votre ponceuse à courroie/à disque

Entretien

⚠ AVERTISSEMENT Pour réduire le risque de blessure, mettez l'interrupteur principal dans la position d'arrêt (« OFF ») et débranchez la fiche de la prise de courant avant d'effectuer une opération d'entretien ou de graissage de votre ponceuse à courroie/à disque.

GÉNÉRALITÉS

Utilisez fréquemment une soufflante pour éjecter toute la sciure qui risque de s'accumuler à l'intérieur du moteur.

L'application occasionnelle d'une couche de cire sur la table de travail permettra au bois à couper de glisser en douceur à travers la surface de travail.

⚠ MISE EN GARDE Certains produits de nettoyage et solvants endommagent les composants en plastique, notamment : essence, tétrachlorure de carbone, solvants de nettoyage chlorés, ammoniac et détergents domestiques contenant de l'ammoniac. Évitez d'utiliser ces produits de nettoyage et des produits similaires pour réduire au minimum le risque de dommages.

⚠ AVERTISSEMENT Pour éviter le risque de choc électrique ou d'incendie, faites remplacer immédiatement un cordon d'alimentation usé, coupé ou endommagé.

⚠ AVERTISSEMENT Il ne faut demander qu'à des réparateurs ayant reçu la formation nécessaire d'effectuer des réparations, qu'elles soient électriques ou mécaniques. Contactez le Centre de service usine Skil, un Centre de service après-vente agréé ou un autre service de réparation qualifié. N'utilisez que des pièces de rechange Skil ; l'emploi de pièces différentes risquerait d'être dangereux.

Accessoires

N'utilisez que des accessoires recommandés. Suivez les instructions qui accompagnent les accessoires. L'utilisation d'accessoires inappropriés risquerait de causer des dangers.

Diagnostic de dépannage

⚠ AVERTISSEMENT Mettez l'interrupteur en position d'arrêt (« OFF ») et débranchez toujours la fiche de la prise de courant avant de commencer le diagnostic de dépannage.

PROBLÈME : NE DÉMARRE PAS

- PROBLÈME**
1. Le cordon d'alimentation électrique n'est pas branché.
 2. Le fusible a sauté ou le disjoncteur a été déclenché.
 3. Le cordon d'alimentation est endommagé.
 4. L'interrupteur est usé.

- SOLUTION**
1. Branchez le cordon d'alimentation.
 2. Remplacez le fusible ou réinitialisez le disjoncteur qui a été déclenché.
 3. Faites remplacer le cordon d'alimentation par un centre de services après-vente agréé par Skil ou par un autre service de réparation.
 4. Faites remplacer l'interrupteur par un centre de services après-vente agréé par Skil ou par un autre service de réparation.

PROBLÈME : N'ATTEINT PAS LA VITESSE DE FONCTIONNEMENT NORMALE

- PROBLÈME**
1. La rallonge du cordon d'alimentation est trop légère ou trop longue.
 2. La tension secteur est trop basse.
- SOLUTION**
1. Remplacez le cordon actuel par un cordon d'alimentation adéquat.
 2. Contactez votre compagnie électrique.

TROUBLE : LA COURROIE/LE DISQUE NE TOURNE PAS, LE MOTEUR FONCTIONNE

- PROBLÈME**
1. La courroie d'entraînement est lâche ou brisée.
- SOLUTION**
1. Faites remplacer la courroie d'entraînement par une station service Skil agréée.

Normas generales de seguridad

ADVERTENCIA LEA TODAS LAS INSTRUCCIONES. Si no se siguen todas las normas de seguridad que aparecen a continuación y otras precauciones básicas de seguridad, el resultado podría ser lesiones corporales graves.

Área de trabajo

MANTENGA ALEJADOS A LOS NIÑOS

No deje que los visitantes entren en contacto con la herramienta ni con el cordón de extensión. Se debe mantener a todos los visitantes a una distancia segura del área de trabajo.

MANTENGA LIMPIAS LAS ÁREAS DE TRABAJO

Las áreas y las mesas desordenadas invitan a que se produzcan accidentes.

HAGA EL TALLER A PRUEBA DE NIÑOS

Utilice candados, interruptores maestros o retire las llaves de arranque.

EVITE LOS AMBIENTES PELIGROSOS

No utilice herramientas eléctricas en lugares húmedos o mojados. Mantenga bien iluminada el área. No exponga las herramientas eléctricas a la lluvia. No use la herramienta en presencia de líquidos o gases inflamables.

Seguridad personal

CONOZCA SU HERRAMIENTA ELÉCTRICA

Lea y entienda el manual del usuario y las etiquetas colocadas en la herramienta. Aprenda la aplicación y las limitaciones de la herramienta, así como los peligros potenciales específicos que son propios de esta herramienta.

NO INTENTE ALCANZAR DEMASIADO LEJOS

Mantenga un apoyo de los pies y un equilibrio apropiados en todo momento.

MANTÉNGASE ALERTA

Fíjese en lo que está haciendo. Use el sentido común. No utilice la herramienta cuando esté cansado. No la utilice cuando esté tomando medicamentos o mientras esté consumiendo alcohol u otras drogas.

VÍSTASE ADECUADAMENTE

No use ropa holgada ni guantes holgados, corbatas, anillos, pulseras u otras joyas que se podrían enganchar en las piezas móviles. Se recomienda usar calzado antideslizante. Use una cubierta protectora del pelo para sujetar el pelo largo.

USE SIEMPRE ANTEOJOS DE SEGURIDAD

Use también una careta o una máscara antipolvo si la operación de corte genera polvo, y tapones para los oídos durante los períodos prolongados de utilización de la herramienta. Los anteojos de uso diario sólo tienen lentes resistentes a los golpes. NO son anteojos de seguridad.

PROTÉJASE CONTRA LAS DESCARGAS ELÉCTRICAS

Evite el contacto del cuerpo con las superficies conectadas a tierra. Por ejemplo: tuberías, radiadores, estufas de cocinar y refrigeradores.

DESCONECTE LAS HERRAMIENTAS DE LA FUENTE DE ALIMENTACIÓN

Cuando no las esté utilizando, antes de hacerles servicio de ajustes y reparaciones y al cambiar hojas, brocas, cortadores, etc.

MANTENGA LOS PROTECTORES COLOCADOS EN SU SITIO

En buenas condiciones de funcionamiento y ajustados y alineados correctamente.

RETIRE LAS LLAVES DE AJUSTE Y DE TUERCA

Cuando no se esté utilizando la herramienta, antes de hacerle servicio de ajustes y reparaciones y al cambiar hojas, brocas, cortadores, etc.

REDUZCA EL RIESGO DE ARRANQUE ACCIDENTAL

Asegúrese de que el interruptor esté en la posición de APAGADO antes de enchufar la herramienta.

CONECTE A TIERRA TODAS LAS HERRAMIENTAS

Esta herramienta está equipada con un cordón eléctrico de tres conductores aprobado y un enchufe de tipo de conexión a tierra con tres terminales que encaja en el tomacorriente de tipo de conexión a tierra apropiado. El conductor verde del cordón eléctrico es el cable de conexión a tierra. No conecte nunca el cable verde a un terminal con corriente.

NO SE SUBA NUNCA A LA HERRAMIENTA NI A SU BASE DE SOPORTE

Se podrían producir lesiones graves si la herramienta se vuelca o si se entra en contacto accidentalmente con la herramienta de corte. No almacene materiales sobre la herramienta ni cerca de ella de manera que sea necesario subirse a la herramienta o a su base de soporte para alcanzar dichos materiales.

COMPRUEBE LAS PIEZAS DAÑADAS

Si un protector está dañado u otra pieza está dañada, antes de usar otra vez la herramienta, se debe comprobar minuciosamente dicho protector o dicha pieza para asegurarse de que funcione adecuadamente y realice la función para la que se diseñó. Compruebe la alineación de las piezas móviles, el montaje y todas las demás situaciones que puedan afectar su funcionamiento. Si un protector está dañado u otra pieza está dañada, se debe reemplazar adecuadamente.

ADVERTENCIA Todas las reparaciones, eléctricas o mecánicas, deben ser intentadas solamente por personal de reparación capacitado. Póngase en contacto con el Centro de Servicio de Fábrica Skil más cercano, la Estación de Servicio Skil Autorizada más cercana u otro servicio de reparaciones competente.

ADVERTENCIA Utilice únicamente piezas de repuesto Skil; cualquier otra pieza podría crear un peligro.

ADVERTENCIA El uso de cualquier otro accesorio no especificado en el catálogo Skil actual podría crear un peligro.

“GUARDE ESTAS INSTRUCCIONES”

Normas de seguridad adicionales

Uso de la herramienta

NO FUERCE LA HERRAMIENTA

La herramienta hará el trabajo mejor y con más seguridad a la velocidad para la cual fue diseñada.

USE LA HERRAMIENTA ADECUADA

No fuerce una herramienta pequeña o un aditamento pequeño a hacer el trabajo de una herramienta de servicio pesado. No use la herramienta para un propósito para el que no está diseñada. Por ejemplo, no use una sierra circular para cortar ramas o troncos de árbol.

SUJETE FIRMEMENTE LA PIEZA DE TRABAJO

Use abrazaderas o una prensa de tornillo para sujetar la pieza de trabajo. Es más seguro que usar la mano y deja libres las dos manos para utilizar la herramienta.

NO DEJE NUNCA DESATENDIDA UNA HERRAMIENTA QUE ESTÉ EN MARCHA

Apague la herramienta. No deje la herramienta hasta que se haya detenido por completo.

Cuidado de la herramienta

NO ALTERE NI USE MAL LA HERRAMIENTA

Estas herramientas están construidas con precisión. Cualquier alteración o modificación no especificada constituye un uso incorrecto y podría causar situaciones peligrosas.

EVITE LAS ÁREAS GASEOSAS

No utilice herramientas eléctricas en una atmósfera gaseosa o explosiva. Normalmente, los motores de estas herramientas generan chispas y podrían ocasionar una situación peligrosa.

MANTENGA LAS HERRAMIENTAS CON CUIDADO

Mantenga las herramientas afiladas y limpias para que brinden un rendimiento mejor y más seguro. Siga las instrucciones de lubricación y cambio de accesorios. Inspeccione periódicamente los cordones eléctricos de las herramientas y, si están dañados, haga que un centro de servicio autorizado los repare. Inspeccione periódicamente los cordones de extensión y reemplácelos si están dañados. Mantenga los mangos secos, limpios y libres de aceite y grasa.

ADVERTENCIA Antes de conectar la herramienta a una fuente de alimentación (receptáculo, tomacorriente, etc.), asegúrese de que la tensión suministrada sea la misma que la que se especifica en la placa de identificación de la herramienta. Una fuente de alimentación con una tensión superior a la especificada para la herramienta puede causar lesiones graves al usuario, así como daños a la herramienta. En caso de duda, **NO ENCHUFE LA HERRAMIENTA**. La utilización de una fuente de alimentación con una tensión inferior a la capacidad nominal especificada en la placa de identificación es perjudicial para el motor.

ADVERTENCIA Por su propia seguridad, no utilice la lijadora hasta que esté completamente ensamblada e instalada de acuerdo con las instrucciones... y hasta que haya leído y entendido lo siguiente:

1. Normas de seguridad	32-34
2. Especificaciones del motor	35
3. Familiarización con la lijadora de correa/disco	38
4. Ensamblaje y ajustes	39-42
5. Utilización	43-45
6. Mantenimiento de la lijadora	46

7. ESTABILIDAD DE LA LIJADORA DE CORREA/DISCO

Si hay cualquier tendencia de la lijadora de correa/disco a inclinarse o moverse durante cualquier uso, empénela al tablero del banco de trabajo o a un pedazo de madera contrachapada de 3/4 de pulgada para exteriores que sea lo suficientemente grande como para estabilizar la lijadora. Emperne la madera contrachapada al lado inferior de la base de manera que se extienda más allá de los lados de la base. **NO UTILICE PANELES DE MADERA PENSADA**. Se pueden romper inesperadamente. Si la pieza de trabajo es demasiado grande como para soportarla fácilmente con una mano, proporcione un soporte auxiliar.

8. UBICACIÓN

Utilice la lijadora en un lugar bien iluminado y sobre una superficie nivelada, limpia y lo suficientemente lisa como para reducir el riesgo de tropiezos y caídas. Utilícela en un lugar donde ni el operador ni el observador casual sean forzados a situarse en línea con un retroceso potencial.

9. PROTECCIÓN: Ojos, manos, oídos y cuerpo.

ADVERTENCIA PARA EVITAR SER ARRASTRADO HACIA LA HERRAMIENTA QUE GIRA:

NO LLEVE: Guantes que queden holgados
Corbata
Ropa holgada
Joyas

**HAGA LO SIGUIENTE: SUJÉTESE EL PELO LARGO DETRÁS DE LA CABEZA
SÚBASE LAS MANGAS LARGAS POR ENCIMA DE LOS CODOS**

a. Si cualquier pieza de la lijadora falta, funciona mal, se ha dañado o se ha roto... tal como el interruptor del motor u otro control operativo, un dispositivo de seguridad o el cable de alimentación... deje de utilizar inmediatamente la herramienta hasta que la pieza específica se haya reparado o reemplazado apropiadamente.

b. No ponga nunca los dedos en una posición en la que podrían entrar en contacto con el papel de lija u otra herramienta de corte si la pieza de trabajo se desplaza inesperadamente o si le resbala la mano.

Normas de seguridad adicionales

c. Para evitar que la pieza de trabajo le sea arrebatada de las manos, que la mesa gire, que la herramienta salte en pedazos o que la pieza de trabajo sea arrojada, soporte siempre la pieza de trabajo de manera que no se desplace ni se atasque en la herramienta.

d. No mueva nunca el soporte de la mesa mientras la herramienta esté en marcha.

e. Antes de comenzar la operación, ponga intermitentemente el interruptor del motor en las posiciones de encendido y apagado, para asegurarse de que la correa de lijar u otra herramienta de corte no oscile ni cause vibraciones.

f. Si una pieza de trabajo sobresale de la mesa de manera que se caerá o se inclinará si no se sujeta, proporcione soporte auxiliar.

g. Utilice dispositivos de fijación para operaciones inusuales, con el fin de sujetar, guiar y posicionar adecuadamente la pieza de trabajo.

h. Ponga el interruptor del motor en la posición de "APAGADO" y desenchufe la herramienta de la fuente de alimentación cuando no se esté utilizando.

i. Soporte siempre la pieza de trabajo con el calibre de ingletes, el tope trasero o la mesa de trabajo.

j. Mantenga los dedos alejados de los puntos de compresión entre la correa o el disco y la carcasa.

k. Mantenga una holgura máxima de 1/16 de pulgada (1.6 mm) entre la mesa/los topes y la correa o el disco de lijar.

l. Mantenga un ajuste apropiado de la tensión y la alineación de la correa de lijar.

m. Evite el retroceso (la pieza de trabajo arrojada hacia usted): No utilice la mitad derecha del disco ni trabaje en el lado izquierdo del tope de la pieza de trabajo para la correa.

n. Para evitar lesiones causadas por una pieza de trabajo que sea lanzada o por contacto con la herramienta, NO realice trabajo de instalación, ensamblaje o preparación en la mesa mientras la herramienta esté girando.

o. No exponga la herramienta a la lluvia ni la utilice en lugares húmedos.

p. Desenchufe la lijadora antes de hacer cambios de correa o rueda, ajustes o reparaciones.

11. SENTIDO DE AVANCE PARA LIJAR CON TAMBOR

ADVERTENCIA Haga avanzar la pieza de trabajo hacia un tambor de lijar u otro accesorio aprobado contra el sentido de rotación.

12. PIENSE EN LA SEGURIDAD

LA SEGURIDAD ES UNA COMBINACIÓN DE SENTIDO COMÚN POR PARTE DEL OPERADOR Y DE QUE ÉSTE SE MANTENGA ALERTA EN TODO MOMENTO CUANDO SE ESTÉ UTILIZANDO LA LIJADORA.

ADVERTENCIA No deje que la familiaridad (adquirida con el uso frecuente de la lijadora) se vuelva algo común. Recuerde siempre que un descuido de una fracción de segundo es suficiente para causar lesiones graves.

ADVERTENCIA La utilización de cualquier herramienta eléctrica puede hacer que se lancen objetos extraños hacia los ojos, lo cual puede causar daños oculares graves. Use siempre anteojos de seguridad que cumplan con la norma ANSI Z87.1 antes de comenzar a utilizar la herramienta eléctrica.

ADVERTENCIA Ciertos tipos de polvo generados por las operaciones de lijado, aserrado, amolado y taladrado con herramientas eléctricas, así como por otras actividades de construcción, contienen sustancias químicas que se sabe que causan cáncer, defectos de nacimiento y otros daños al sistema reproductor. Algunos ejemplos de estas sustancias químicas son:

- Plomo procedente de pinturas a base de plomo,
- Sílice cristalina procedente de ladrillos y cemento y otros productos de mampostería, y
- Arsénico y cromo procedentes de madera de construcción tratada químicamente.

Su riesgo debido a estas exposiciones varía, dependiendo de la frecuencia con la que haga este tipo de trabajo. Para reducir su exposición a estas sustancias químicas: trabaje en un área bien ventilada y trabaje con equipo de seguridad aprobado, como por ejemplo máscaras antipolvo que estén diseñadas especialmente para detener por filtración las partículas microscópicas.

OBSERVE Y SIGA LAS ADVERTENCIAS E INSTRUCCIONES DE SEGURIDAD QUE APARECEN EN EL PANEL DE LA LIJADORA:

ADVERTENCIA Para su propia seguridad: Lea y entienda el manual de instrucciones antes de utilizar la lijadora de correa/disco. ▲ Use lentes de seguridad o anteojos de seguridad y máscara antipolvo. ▲ Soporte siempre la pieza de trabajo con el calibre de ingletes, el tope trasero o la mesa de trabajo. ▲ Mantenga los dedos alejados de los puntos de pellizcamiento entre la correa o el disco y la carcasa. ▲ Mantenga una holgura de 1/16 de pulgada (1.5 mm) como máximo entre los topes de la mesa y la correa o el disco de lijar. ▲ Evite el retroceso (que la pieza de trabajo sea arrojada hacia usted): No use la mitad derecha del disco ni trabaje en el lado izquierdo del tope de la pieza de trabajo para la correa. ▲ No use guantes ni ropa que queden holgados. Sujétese el pelo largo detrás de la cabeza. ▲ No utilice la herramienta cerca de materiales inflamables. ▲ Desenchufe la lijadora antes de hacer cambios de correa/rueda, ajustes o reparaciones. ▲ Mantenga un ajuste apropiado de la tensión y la alineación de la correa de lijar. ▲ No exponga la herramienta a la lluvia ni la use en lugares húmedos.

AVERTISSEMENT Pour votre propre sécurité –

Especificaciones del motor y requisitos eléctricos

Especificaciones generales

Tensión nominal	120 V, 60 Hz
Amperaje nominal	4 A
Velocidad sin carga	N ₀ 3,450/min (RPM)
Tamaño de la mesa	7,4 pies x 5 9 pies (18,8 cm x 12.7cm)

Especificaciones del motor

En caso de mal funcionamiento o avería, la conexión a tierra proporciona un camino de resistencia mínima para la corriente eléctrica, con el fin de reducir el riesgo de descargas eléctricas. Esta herramienta está equipada con un cordón eléctrico que tiene un conductor de conexión a tierra del equipo y un enchufe de conexión a tierra. El enchufe se debe introducir en un tomacorriente coincidente que esté instalado y conectado a tierra adecuadamente, de acuerdo con todos los códigos y ordenanzas locales.

Esta lijadora está diseñada para utilizar un motor de 1700 RPM. Está cableada para funcionar con corriente alterna de 110-120 V, 60 Hz. Antes de conectar el cordón eléctrico del motor a la fuente de alimentación, asegúrese de que el interruptor esté en la posición de APAGADO y asegúrese de que la corriente eléctrica tenga las mismas características que las especificadas en la placa de identificación de la lijadora.

Conexión a una fuente de alimentación

Esta máquina debe estar conectada a tierra mientras se esté utilizando, para proteger al operador contra las descargas eléctricas.

Enchufe el cable de alimentación en un tomacorriente de tipo conectado a tierra apropiadamente de 110-120 V, protegido por un fusible o cortacircuitos de acción retardada con elemento dual de 15 A.

No todos los tomacorrientes están conectados a tierra apropiadamente. Si no está seguro si su tomacorriente, tal y como se muestra en la Fig. 1, está conectado a tierra apropiadamente, haga que un electricista calificado lo compruebe.

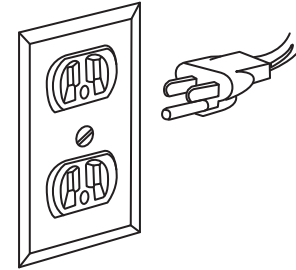
⚠ PELIGRO Para evitar las descargas eléctricas, no toque los terminales metálicos del enchufe cuando inserte el enchufe en el tomacorriente o lo saque del mismo.

⚠ PELIGRO Si esta herramienta eléctrica no se conecta apropiadamente a tierra, el resultado puede ser electrocución o descargas eléctricas fuertes, especialmente cuando se utilice cerca de plomería metálica y otros objetos metálicos. Si recibe una descarga eléctrica, su reacción podría hacer que las manos golpeen la herramienta.

⚠ ADVERTENCIA Si el cable de alimentación está desgastado, cortado o dañado de alguna manera, haga que lo reemplacen inmediatamente para evitar el peligro de descargas eléctricas o incendio.

Esta unidad está diseñada para utilizarse con 120 V; tiene un enchufe que se parece al que se muestra en la Figura 1.

FIG. 1



Esta herramienta eléctrica está equipada con un cordón eléctrico de tres conductores y un enchufe de tipo de conexión a tierra aprobados por Underwriters Laboratories y la Asociación Canadiense de Estandarización (Canadian Standards Association). El conductor de conexión a tierra tiene un forro verde y está sujeto a la carcasa de la herramienta en un extremo y al terminal de conexión a tierra del enchufe de conexión en el otro extremo.

Si el tomacorriente que piensa usar para esta herramienta eléctrica es del tipo de dos terminales, **NO quite ni altere de ninguna manera el terminal de conexión a tierra.** Haga que un electricista calificado reemplace el tomacorriente para DOS terminales por un tomacorriente para TRES terminales conectado a tierra adecuadamente.

La conexión incorrecta del conductor de conexión a tierra del equipo puede causar un riesgo de descargas eléctricas. El conductor con aislamiento que tiene una superficie exterior de color verde con o sin franjas amarillas es el conductor del equipo. Si es necesario reparar o reemplazar el cordón eléctrico o el enchufe, no conecte el conductor de conexión a tierra del equipo a un terminal con corriente.

Consulte a un electricista calificado o a personal de servicio calificado si no entiende completamente las instrucciones de conexión a tierra o si tiene dudas sobre si la herramienta está conectada a tierra adecuadamente.

Utilice siempre un cordón de extensión apropiado. La utilización de cualquier cordón de extensión causará algo de pérdida de potencia. Para reducir esta pérdida al mínimo y evitar el recalentamiento y que el motor se queme, utilice la tabla que aparece a continuación para determinar el cordón de extensión con el tamaño de cable mínimo (A.W.G., calibre americano de alambres). Utilice únicamente cordones de extensión de tres cables que tengan enchufes de tipo de conexión a tierra de tres terminales y tomacorrientes para tres polos que acepten el enchufe de la herramienta. Asegúrese de que su cordón de extensión esté en buenas condiciones.

Longitud del cordón de extensión	Calibre de alambre A.W.G.
0-25 pies	18
26-50 pies	16
51-100 pies	16

“GUARDE ESTAS INSTRUCCIONES”

Índice

Normas generales de seguridad	32	Familiarización con la lijadora de correa/disco	38
Normas de seguridad adicionales	33-34	Ensamblaje y ajustes	39-42
Especificaciones del motor y requisitos eléctricos	35	Utilización básica de la lijadora de correa/disco	43-45
Índice	36	Mantenimiento de la lijadora de correa/disco	46
Desempaquetado y comprobación del contenido	37	Resolución de problemas	46

Desempaquetado y comprobación del contenido

⚠ ADVERTENCIA Para reducir el riesgo de lesiones, no conecte nunca el enchufe al tomacorriente de la fuente de alimentación hasta que se hayan completado todos los pasos de ensamblaje y hasta que haya leído y entendido todo el manual del usuario.

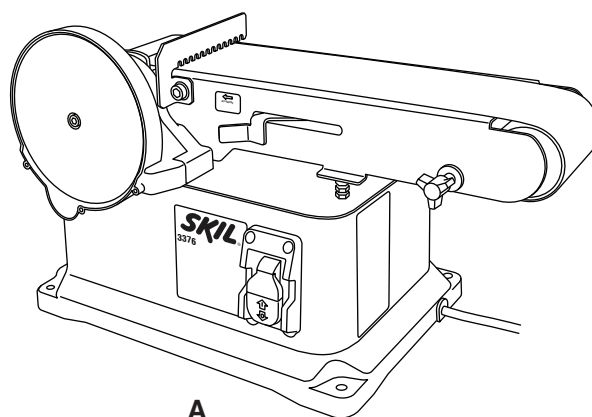
La lijadora de correa/disco modelo 3376 se envía completa en una caja.

Desempaquetado y comprobación del contenido. Separe todas las piezas de los materiales de empaquetamiento y compruebe cada una de ellas con la "Tabla de piezas sueltas" para asegurarse de que no falte ningún artículo antes de desechar cualquier material de empaquetamiento.

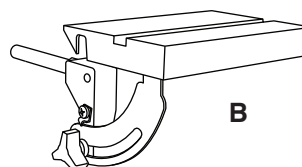
⚠ ADVERTENCIA Si falta alguna pieza, no intente ensamblar la lijadora, enchufar el cable de alimentación o poner el interruptor en la posición de encendido hasta que las piezas que faltan se hayan obtenido y se hayan instalado correctamente.

Tabla de piezas sueltas

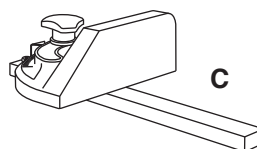
ARTICULO	DESCRIPCION	CANT.
A	Lijadora de correa/disco	1
B	Mesa de trabajo	1
C	Calibre de ingletes	1
D	Disco de lijar	1
E	Pomo de fijación de la mesa	1
F	Tornillo de cabeza troncocónica M4.2 x 9.5	3



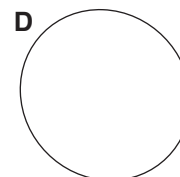
A



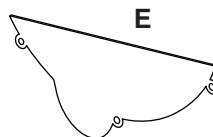
B



C



D



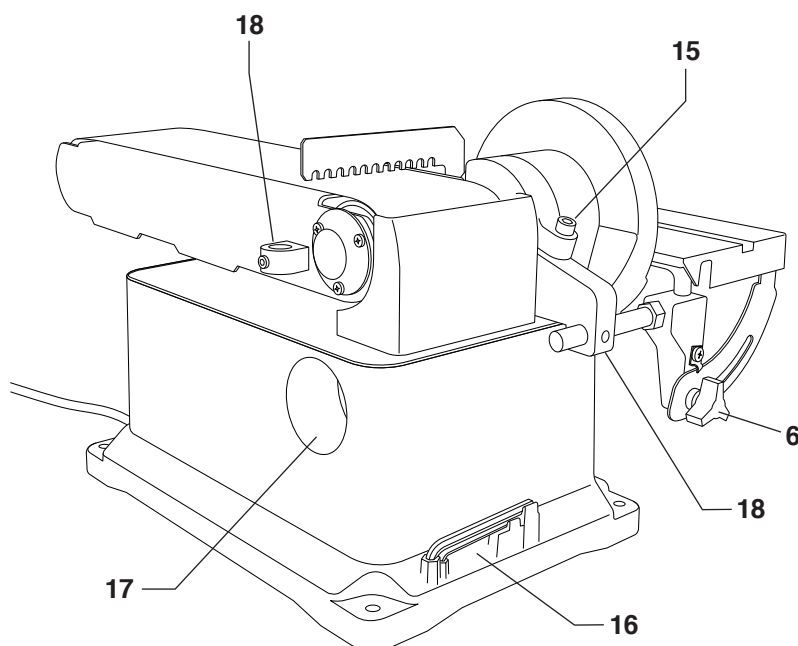
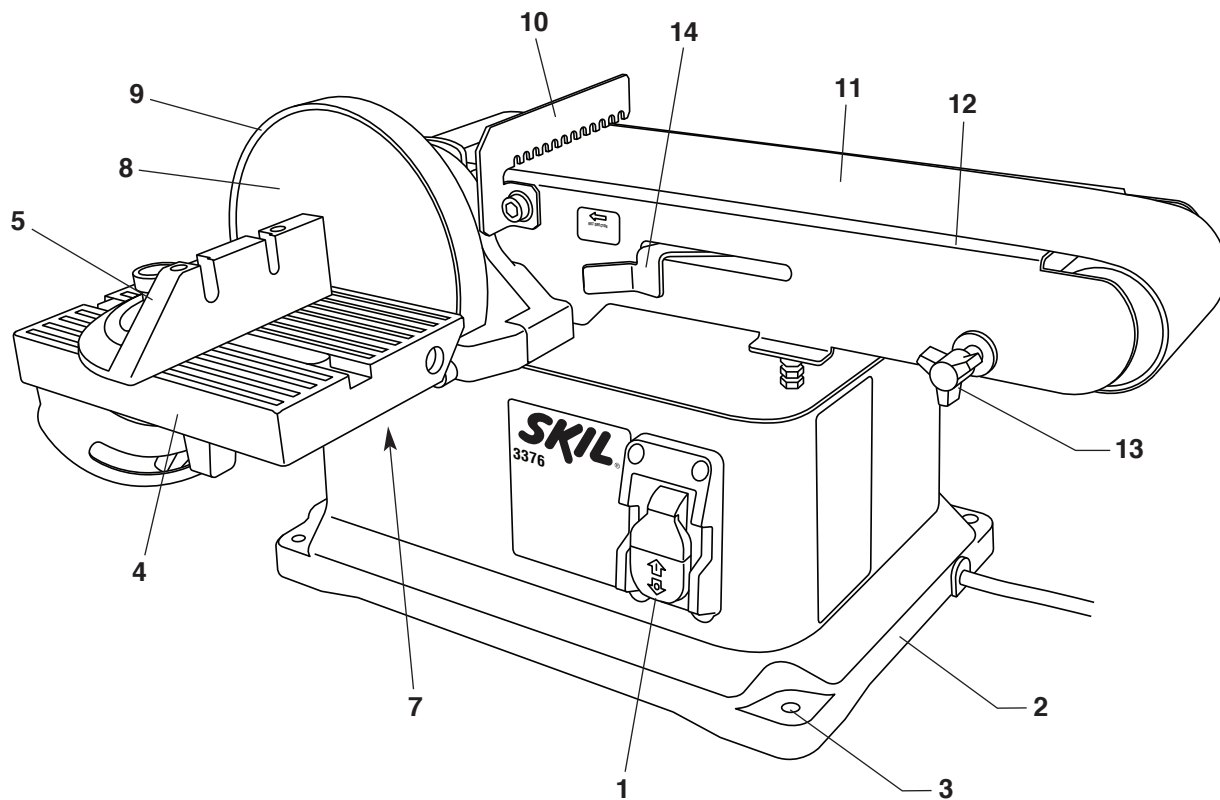
E



F



Familiarización con la lijadora de correa/disco



1. Interruptor de ENCENDIDO Y APAGADO con llave de seguridad
2. Base
3. Agujeros de montaje (x2)
4. Mesa de trabajo
5. Calibre de ingletes
6. Pomo de fijación de la mesa
7. Protector del disco (debajo de la mesa de trabajo)
8. Disco de lijar
9. Placa de lijar
10. Soporte de la pieza de trabajo
11. Correa de lijar
12. Lecho de la correa
13. Pomo de ajuste de la trayectoria de la correa
14. Palanca tensora de la correa
15. Tornillo de fijación del lecho de la correa
16. Ubicación de almacenamiento para llaves hexagonales (de 4 y 6 mm)
17. Orificio para polvo (para manguera estándar de 2.5 pulgadas [63.5 mm])
18. Soporte de montaje de la mesa (x2)



Ensamblaje y ajustes

⚠ WARNING Para reducir el riesgo de lesiones, no conecte nunca el enchufe al tomacorriente de la fuente de alimentación hasta que se hayan completado todos los pasos de ensamblaje.

Instalación del disco de lijar y el protector (Fig. 2 y 3)

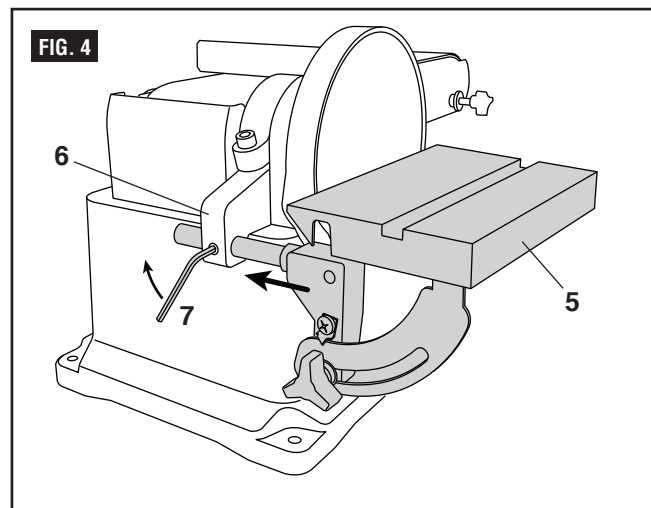
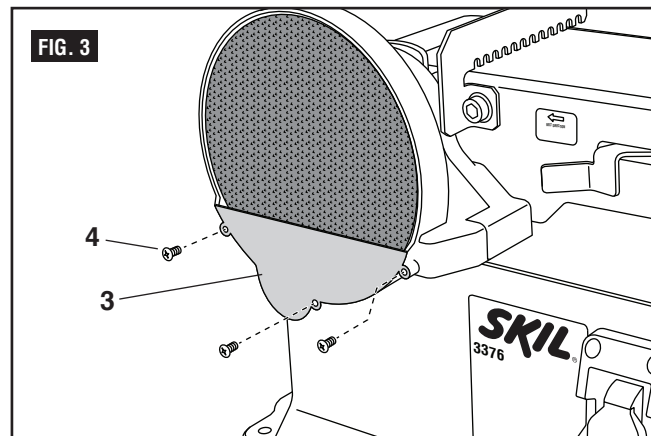
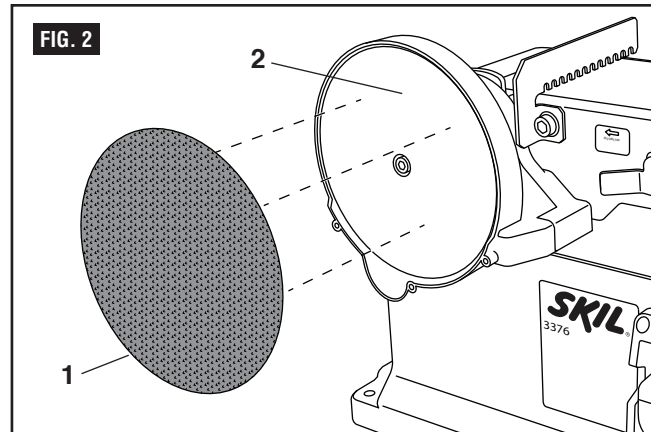
1. Retire el refuerzo trasero del disco de lijar (1). Alinee el perímetro del disco con la placa de lijar (2) y presione firmemente el disco en posición correcta alrededor de toda la placa, de la manera que se muestra en la figura 2.
2. Localice el protector del disco (3) y los tres tornillos de cabeza troncocónica (4).
3. Posicione el protector del disco contra el tercio inferior de los agujeros de alineación del disco.
4. Utilizando un destornillador Phillips, apriete firmemente los tornillos de cabeza troncocónica, ejerciendo una ligera presión para roscar los agujeros, de la manera que se muestra en la figura 3.
5. Ajuste la cubierta superior del disco (5) a una separación de 1/16 de pulgada (1.6 mm). Afloje los dos tornillos, ajústelos según sea necesario y reapriételos.

Nota: Utilice únicamente discos abrasivos de 6 pulgadas.

Instalación del ensamblaje de la mesa (Fig. 4)

1. Deslice la mesa (5) al interior del soporte de montaje de la mesa (6) de la base, de la manera que se muestra en la figura 4.
2. Utilice la llave hexagonal de 4 mm (7) para sujetar la mesa firmemente en su sitio.

⚠ ADVERTENCIA Para evitar atrapar la pieza de trabajo o los dedos entre la mesa y la superficie de lijado, el borde de la mesa debería estar a un máximo de 1/16 de pulgada (1.6 mm) de la superficie de lijado.



Ensamblaje y ajustes

Instalación de la correa de lijado (Fig. 5-7)

⚠ ADVERTENCIA Para evitar lesiones por causa de un arranque accidental, ponga el interruptor en la posición de "APAGADO", retire la llave y saque el enchufe del tomacorriente de la fuente de alimentación antes de retirar o instalar la correa.

Asegúrese de que la mesa se haya retirado del lecho de la correa. Coloque el lecho de la correa a un ángulo de 45 grados para facilitar el cambio de la correa (consulte "Montaje auxiliar para realizar lijado vertical" para informarse sobre el ajuste del lecho de la correa).

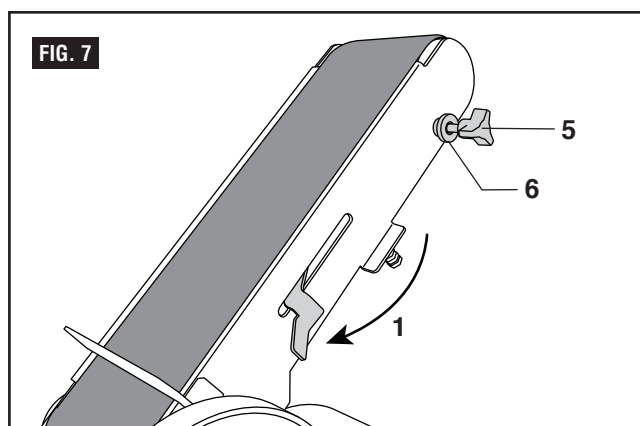
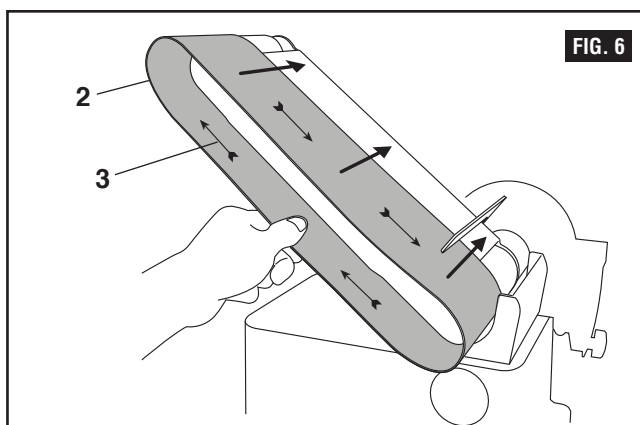
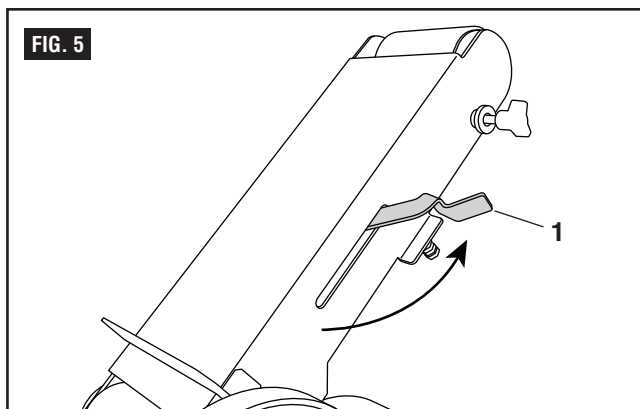
En el lado liso de la correa de lijado encontrará una "flecha direccional". La correa de lijado debe moverse en el sentido de esta flecha, para que el empalme no se separe.

1. Deslice la palanca tensora (1) hacia la derecha para reducir la tensión de la correa, de la manera que se muestra en la figura 5.
2. Coloque la correa de lijado (2) sobre los tambores, con la flecha direccional (3) orientada en sentido contrario al de las agujas del reloj, figura 6. Asegúrese de que la correa esté centrada sobre ambos tambores.
3. Deslice la palanca tensora hacia la izquierda para aplicar tensión a la correa, de la manera que se muestra en la figura 7.

Nota: Utilice únicamente correas abrasivas de 4 x 36 pulgadas.

Tensado y ajuste de la trayectoria (Fig. 7)

1. Enchufe el cable de alimentación. Ponga el interruptor en la posición de "ENCENDIDO" e inmediatamente en la posición de "APAGADO", fijándose en si la correa tiende a deslizarse y salirse del tambor loco o del tambor impulsor. Si la correa no tiende a deslizarse y salirse, está SIGUIENDO SU TRAYECTORIA apropiadamente.
2. Si la correa de lijado se mueve hacia el disco, gire el pomo de ajuste de la trayectoria (5) 1/4 de vuelta en el sentido de las agujas del reloj.
3. Si la correa de lijado se mueve alejándose del disco, gire el pomo de ajuste de la trayectoria (5) 1/4 de vuelta en sentido contrario al de las agujas del reloj.
4. Ponga el interruptor en la posición de "ENCENDIDO" e inmediatamente en la posición de "APAGADO", fijándose en el movimiento de la correa. Si es necesario, reajuste el pomo de ajuste de la trayectoria.
5. Una vez que la correa esté siguiendo su trayectoria apropiadamente, mientras sujeta el pomo de ajuste de la trayectoria (5) firmemente en su sitio, gire el pomo de fijación de la trayectoria (6) en el sentido de las agujas del reloj hasta que esté fijo de manera firme.
6. Confirme la separación máxima de 1/16" (1.6mm) entre el soporte de la pieza de trabajo y la superficie de lijado, y ajústela si fuese necesario.

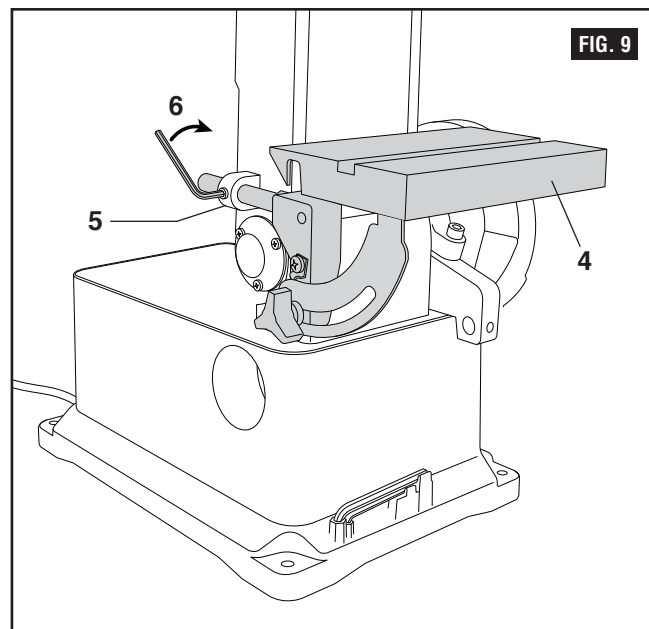
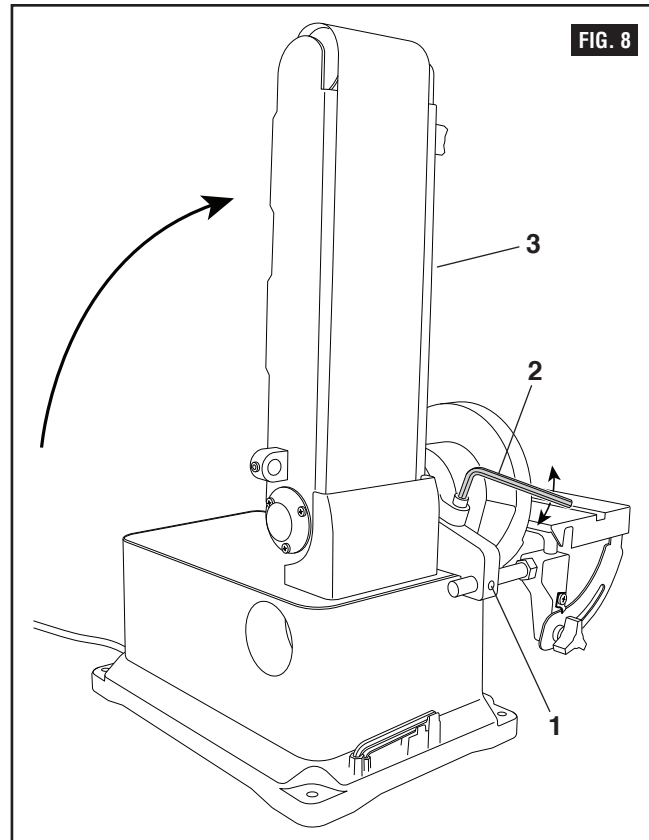


Ensamblaje y ajustes

Montaje auxiliar para realizar lijado vertical (Fig. 8 y 9)

1. Retire el ensamblaje de la mesa aflojando el tornillo de ajuste hexagonal (1), utilizando la llave hexagonal de 4 mm.
2. Afloje el tornillo de fijación del lecho de la correa (2) y suba el lecho de lijadora de correa (3) hasta la posición vertical, figura 8.
3. Reapriete el tornillo de fijación (2).
4. Deslice la mesa (4) al interior del soporte de montaje de la mesa (5) del lecho de la correa, de la manera que se muestra en la figura 9.
5. Utilice la llave hexagonal de 4 mm (6) para sujetar firmemente la mesa en su sitio.

⚠ ADVERTENCIA Para evitar que la pieza de trabajo o los dedos queden atrapados entre la mesa y la superficie de lijado, el borde de la mesa debe estar a un máximo de 1/16" (1.6mm) de la superficie de lijado.



Ensamblaje y ajustes

Instalación del soporte de la pieza de trabajo (Fig. 10)

Para evitar que la pieza de trabajo o los dedos queden atrapados entre el soporte de la pieza de trabajo y la superficie de lijado, el borde del soporte debe estar a un máximo de 1/16" (1.6mm) de la superficie de lijado.

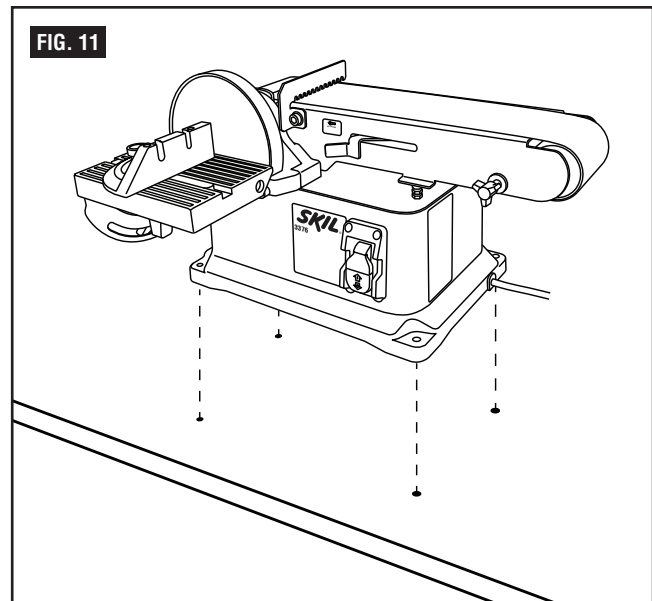
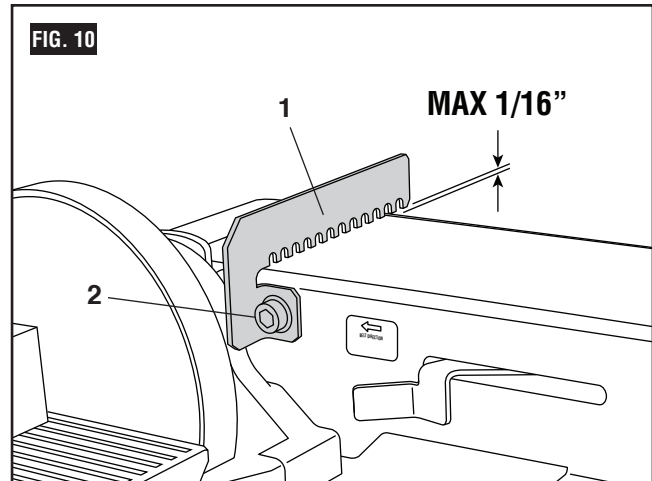
Para ajustar el soporte de la pieza de trabajo: Afloje el tornillo hexagonal (2) del soporte de la pieza de trabajo (1), ajuste el soporte según se requiera y reapriete el tornillo.

Montaje de la lijadora de correa y disco en un banco de trabajo (Fig. 11)

Si la lijadora de correa y disco se va a utilizar en una ubicación permanente, se debe sujetar de manera segura a una superficie de trabajo firme, como por ejemplo un banco de trabajo.

Si la lijadora se va a montar en un banco de trabajo, se deben taladrar agujeros que atraviesen la superficie de soporte del banco de trabajo.

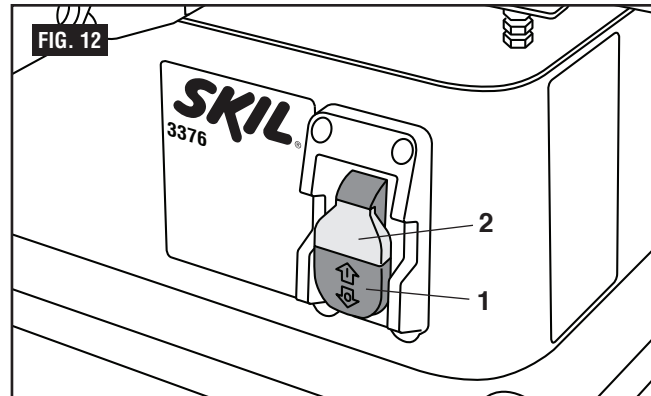
1. La unidad se debe empernar de manera segura utilizando pernos (M8) de 1/4 de pulgada, arandelas, arandelas de seguridad y tuercas hexagonales (no incluidas).
2. Localice y marque los agujeros en el lugar donde se vaya a montar la lijadora de correa y disco.
3. Taladre cuatro agujeros de 9.5 mm de diámetro que atraviesen el banco de trabajo.
4. Coloque la lijadora de correa y disco sobre los agujeros de alineación del banco de trabajo taladrados en dicho banco.
5. Inserte cuatro pernos, arandelas y arandelas de seguridad, y apriete las tuercas hexagonales.



Utilización

Interruptor de ENCENDIDO y APAGADO (Fig. 12)

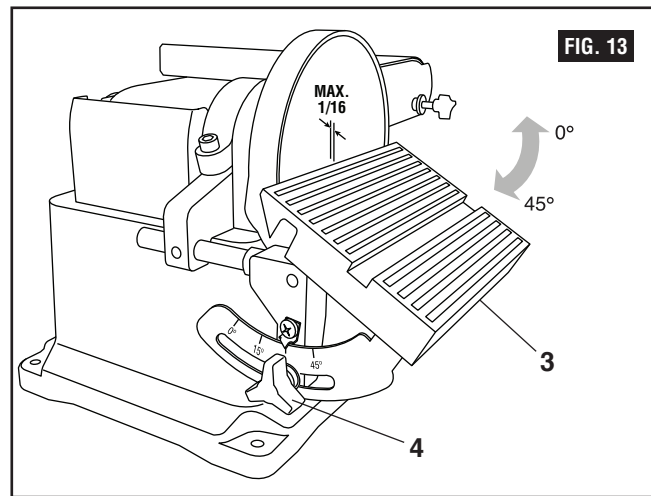
1. Para ENCENDER la lijadora, mueva el interruptor (1) hasta la posición hacia arriba (ENCENDIDO).
2. Para APAGAR la lijadora, mueva el interruptor hasta la posición hacia abajo (APAGADO).
3. Para bloquear el interruptor en la posición de APAGADO:
 - a. Espere hasta que la lijadora se haya detenido por completo.
 - b. Retire la llave de seguridad (2) de la carcasa del interruptor. Guarde la llave de seguridad en un lugar seguro.
4. Para desbloquear el interruptor y ENCENDER la lijadora, inserte la llave de seguridad en el interruptor y mueva el interruptor hasta la posición de ENCENDIDO.



Lijado en bisel (Fig. 13)

1. La mesa de trabajo (3) se puede inclinar de 0° a 45° para lijar en bisel.
2. Afloje el pomo de fijación de la mesa (4) e incline la mesa de trabajo hasta el ángulo deseado.
3. Reapriete el pomo de fijación de la mesa.

⚠ ADVERTENCIA Para evitar que la pieza de trabajo o los dedos queden atrapados entre la mesa y la superficie de lijado, la mesa se debe reposicionar sobre el soporte de la mesa para retener una distancia máxima de 1/16" (1.6mm) entre la superficie de lijado y la mesa.



Utilización

Lijado de superficies en la correa de lijar (Fig. 14)

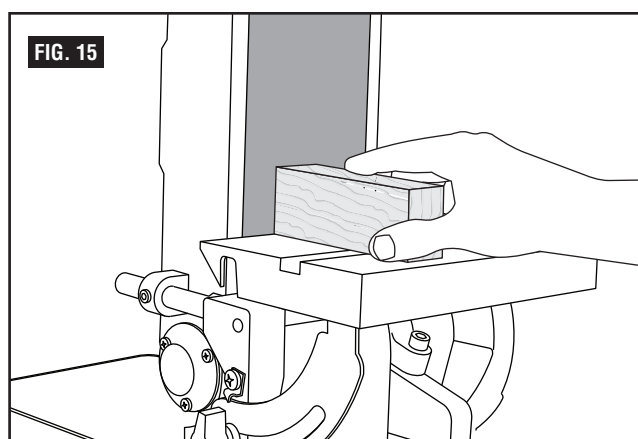
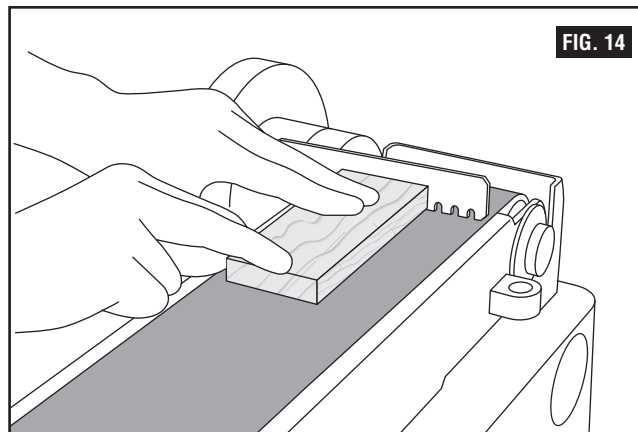
⚠ ADVERTENCIA Para evitar lesiones por causa de resbalones, atascos o piezas arrojadas, ajuste el tope trasero para que tenga una separación de no más de 1/16" (1.6mm) con la superficie de lijado.

Cuando compruebe la separación entre la correa y el soporte de la pieza de trabajo, presione la correa hasta que esté plana contra el metal que está debajo de ella.

1. Sujete la pieza de trabajo firmemente con las dos manos, manteniendo los dedos alejados de la correa de lijar.
2. Mantenga el extremo a tope contra el tope trasero y mueva la pieza de trabajo uniformemente a través de la correa de lijar. Use precaución adicional cuando lije piezas muy delgadas.
3. Cuando lije piezas largas, retire el soporte de la pieza de trabajo.
4. Ejercer solamente suficiente presión como para permitir que la correa de lijar retire cualquier material.

Lijado de extremos en la correa de lijar (Fig. 15)

1. Es más conveniente lijar los extremos de las piezas de trabajo largas con la correa de lijar en posición vertical.
2. Mueva la pieza de trabajo uniformemente a través de la correa de lijar. Para tener precisión, use el calibre de ingletes.



Utilización

Lijado de bordes curvos (Fig. 16 y 17)

1. Lije siempre las curvas interiores sobre el tambor loco, de la manera que se muestra en la figura 16.

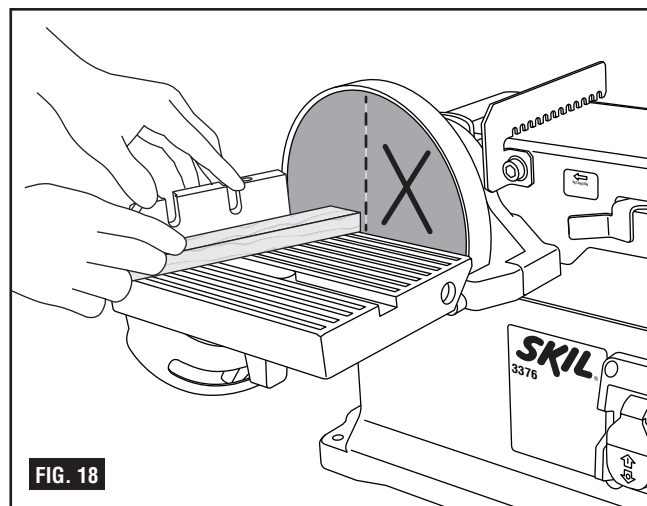
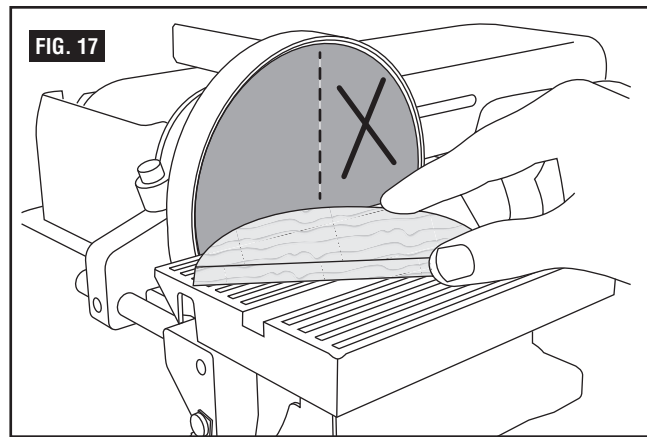
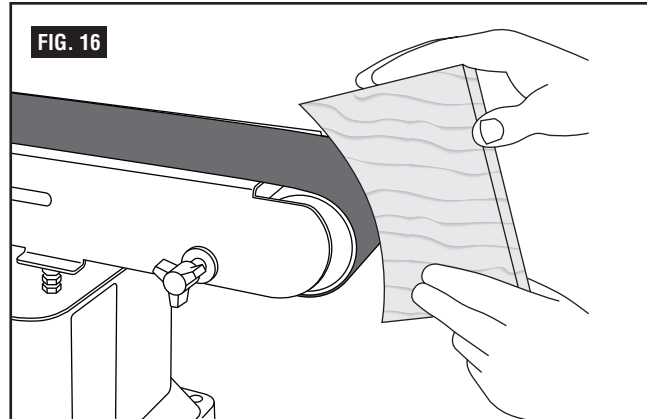
⚠ ADVERTENCIA No intente nunca lijar los extremos de una pieza de trabajo sobre el tambor loco. Si se aplica el extremo de la pieza de trabajo al tambor loco, el resultado podría ser que la pieza de trabajo salte hacia arriba y cause una lesión.

2. Lije siempre las curvas exteriores en el lado izquierdo del disco de lijar, de la manera que se muestra en la figura 17.

⚠ ADVERTENCIA Si se aplica la pieza de trabajo al lado derecho del disco, el resultado podría ser que la pieza de trabajo salte hacia arriba (experimente retroceso) y cause lesiones.

Lijado de superficies de extremo pequeño en el disco de lijar (Fig. 18)

1. Para realizar esta operación se recomienda utilizar el calibre de ingletes.
2. Apoye la pieza de trabajo contra el borde del calibre de ingletes.
3. Mueva siempre la pieza de trabajo a través del lado izquierdo del disco de lijar.
4. La mesa se puede inclinar para realizar trabajo de biselado.



Mantenimiento de la lijadora

Mantenimiento

⚠ ADVERTENCIA Para reducir el riesgo de lesiones, ponga el interruptor en la posición de APAGADO y saque el enchufe del tomacorriente de la fuente de alimentación antes de hacer mantenimiento de la lijadora o lubricarla.

GENERAL

Sople frecuentemente todo el polvo que se haya acumulado dentro del motor.

Una capa ocasional de cera en pasta aplicada a la mesa de trabajo permitirá que la madera que se esté cortando se deslice suavemente por la superficie de trabajo.

⚠ PRECAUCIÓN Ciertos agentes limpiadores y solventes dañan las piezas de plástico, incluyendo: gasolina, tetracloruro de carbono, solventes de limpieza clorados, amoníaco y detergentes domésticos que contienen amoníaco. Si se evita el uso de estos y otros tipos de agentes limpiadores, se minimiza la probabilidad de que se produzcan daños.

⚠ ADVERTENCIA Para evitar el riesgo de descargas eléctricas o incendio, si el cable de alimentación está desgastado, cortado o dañado de alguna manera, haga que lo reemplacen inmediatamente.

⚠ ADVERTENCIA Todas las reparaciones, eléctricas o mecánicas, deben ser intentadas únicamente por personal de reparación capacitado. Póngase en contacto con el Centro de Servicio de Fábrica Skil más cercano, la Estación de Servicio Skil Autorizada más cercana u otro servicio de reparaciones competente. Utilice únicamente piezas de repuesto Skil; cualquier otra pieza podría crear un peligro.

Accesorios

Utilice únicamente accesorios recomendados. Siga las instrucciones que acompañan a los accesorios. El uso de accesorios incorrectos puede causar peligros.

Resolución de problemas

⚠ ADVERTENCIA Ponga el interruptor en la posición de "APAGADO" y saque siempre el enchufe de la fuente de alimentación antes de resolver problemas.

ANOMALÍA: LA HERRAMIENTA NO ARRANCA

- PROBLEMA**
1. El cable de alimentación no está enchufado.
 2. El fusible o el cortacircuitos ha saltado.
 3. El cable de alimentación está dañado.
 4. El interruptor está quemado.

- REMEDIO**
1. Enchufe el cable de alimentación.
 2. Reemplace el fusible o restablezca el cortacircuitos que ha saltado.
 3. Haga que el cable de alimentación sea reemplazado por un Centro de Servicio Skil Autorizado o una Estación de Servicio Skil Autorizada.
 4. Haga que el interruptor sea reemplazado por un Centro de Servicio Skil Autorizado o una Estación de Servicio Skil Autorizada.

ANOMALÍA: LA HERRAMIENTA NO ALCANZA TODA SU VELOCIDAD

- PROBLEMA**
1. El cordón de extensión es demasiado delgado o demasiado largo.
 2. El voltaje de la casa es bajo.
- REMEDIO**
1. Reemplace el cordón de extensión con un cordón adecuado.
 2. Contacte a la compañía eléctrica.

ANOMALÍA: LA CORREA / EL DISCO NO ROTA, EL MOTOR ESTÁ EN MARCHA

- PROBLEMA**
1. La correa de accionamiento está demasiado floja o está rota.
- REMEDIO**
1. Haga que la correa de accionamiento sea reemplazada por una Estación de Servicio Skil Autorizada.

Notes

LIMITED WARRANTY OF SKIL CONSUMER BENCHTOP POWER TOOLS

Robert Bosch Tool Corporation ("Seller") warrants to the original purchaser only, that all SKIL consumer benchtop power tools will be free from defects in material or workmanship for a period of three years from date of purchase, if original purchaser registers the product within 30 days from purchase. Product registration can be completed online at www.skil.com or by mail with the registration card included in the packaged product. Original purchasers should also retain their receipt as proof of purchase. Original purchasers that do not register their product will receive the standard Skil one year home use warranty. SKIL consumer benchtop portable power tool models will be free from defects in material or workmanship for a period of ninety days if the tool is used for professional use.

SELLER'S SOLE OBLIGATION AND YOUR EXCLUSIVE REMEDY under this Limited Warranty and, to the extent permitted by law, any warranty or condition implied by law, shall be the repair or replacement of parts, without charge, which are defective in material or workmanship and which have not been misused, carelessly handled, or misrepaired by persons other than Seller or Authorized Service Station. To make a claim under this Limited Warranty, you must return the complete product, transportation prepaid, to any SKIL Factory Service Center or Authorized Service Station. For Authorized SKIL Power Tool Service Stations, please visit www.skil.com or call 1-877-SKIL-999 (1-877-754-5999).

THIS LIMITED WARRANTY DOES NOT APPLY TO ACCESSORY ITEMS SUCH AS CIRCULAR SAW BLADES, DRILL BITS, ROUTER BITS, JIGSAW BLADES, SANDING BELTS, GRINDING WHEELS AND OTHER RELATED ITEMS.

ANY IMPLIED WARRANTIES SHALL BE LIMITED IN DURATION TO ONE YEAR FROM DATE OF PURCHASE. SOME STATES IN THE U.S., SOME CANADIAN PROVINCES DO NOT ALLOW LIMITATIONS ON HOW LONG AN IMPLIED WARRANTY LASTS, SO THE ABOVE LIMITATION MAY NOT APPLY TO YOU.

IN NO EVENT SHALL SELLER BE LIABLE FOR ANY INCIDENTAL OR CONSEQUENTIAL DAMAGES (INCLUDING BUT NOT LIMITED TO LIABILITY FOR LOSS OF PROFITS) ARISING FROM THE SALE OR USE OF THIS PRODUCT. SOME STATES IN THE U.S. AND SOME CANADIAN PROVINCES DO NOT ALLOW THE EXCLUSION OR LIMITATION OF INCIDENTAL OR CONSEQUENTIAL DAMAGES, SO THE ABOVE LIMITATION OR EXCLUSION MAY NOT APPLY TO YOU.

THIS LIMITED WARRANTY GIVES YOU SPECIFIC LEGAL RIGHTS, AND YOU MAY ALSO HAVE OTHER RIGHTS WHICH VARY FROM STATE TO STATE IN THE U.S., PROVINCE TO PROVINCE IN CANADA AND FROM COUNTRY TO COUNTRY.

THIS LIMITED WARRANTY APPLIES ONLY TO PRODUCTS SOLD WITHIN THE UNITED STATES OF AMERICA, CANADA AND THE COMMONWEALTH OF PUERTO RICO. FOR WARRANTY COVERAGE WITHIN OTHER COUNTRIES, CONTACT YOUR LOCAL SKIL DEALER OR IMPORTER.

GARANTIE LIMITÉE DES OUTILS ÉLECTRIQUES GRAND PUBLIC SKIL DE TABLE

Robert Bosch Tool Corporation (le « Vendeur ») garantit à l'acheteur initial seulement que tous les outils électriques grand public SKIL de table seront exempts de vices de matériau ou de façon pendant une période de trois ans depuis la date d'achat si l'acheteur initial enregistre le produit dans les 30 jours suivant l'achat. L'enregistrement du produit peut être effectué en ligne à www.skil.com ou par courrier postal en renvoyant la carte d'enregistrement incluse dans l'emballage du produit. Les acheteurs initiaux doivent également conserver leur reçu comme justificatif de leur achat. Les acheteurs initiaux qui n'enregistrent pas leur produit recevront la garantie Skil standard d'un an pour les produits utilisés à domicile. Les modèles d'outils électriques grand public SKIL de table sont garantis exempts de vices de matériau ou de façon pendant une période de quatre-vingt-dix jours si l'outil est utilisé professionnellement.

LA SEULE OBLIGATION DU VENDEUR ET LE SEUL RECOURS DE L'ACHETEUR sous la présente garantie limitée, et dans la mesure où la loi le permet sous toute garantie ou condition implicite qui en découlerait, sera l'obligation de remplacer ou réparer gratuitement les pièces défectueuses en termes de matériau ou de façon, pourvu que lesdites déficiences ne soient pas attribuables à un usage abusif ou à quelque réparation ou altération bricolée par quelqu'un d'autre que le Vendeur ou le personnel d'une station-service agréée. En cas de réclamation sous la présente garantie limitée, l'acheteur est tenu de renvoyer l'outil complet en port payé à un centre de service-usine SKIL ou une station-service agréée. Pour trouver les coordonnées de la station-service agréée SKIL la plus proche, veuillez visiter www.skil.com ou téléphoner au 1-877-SKIL-999 (1-877-754-5999).

LA PRÉSENTE GARANTIE NE S'APPLIQUE PAS AUX ACCESSOIRES TELS QUE LAMES DE SCIE CIRCULAIRE, MÊCHES DE PERCEUSES, FERS DE TOUPIES, LAMES DE SCIES SAUTEUSES, COURROIES DE PONÇAGE, MEULES ET AUTRES ARTICLES DU GENRE.

TOUTE GARANTIE IMPLICITE SERA LIMITÉE À UNE DURÉE À UN AN À COMPTER DE LA DATE D'ACHAT. COMME CERTAINS ÉTATS AMÉRICAINS ET CERTAINES PROVINCES CANADIENNES N'ADMETTENT PAS LE PRINCIPE DE LA LIMITATION DE LA DURÉE DES GARANTIES IMPLICITES, IL EST POSSIBLE QUE LES LIMITATIONS CI-DESSUS NE S'APPLIQUENT PAS À VOTRE CAS.

EN AUCUN CAS LE VENDEUR NE SAURAIT ÊTRE TENU POUR RESPONSABLE DES INCIDENTS OU DOMMAGES INDIRECTS (INCLUANT, MAIS NE SE LIMITANT PAS AUX PERTES DE PROFITS) CONSÉCUTIFS À LA VENTE OU À L'USAGE DE CE PRODUIT. COMME CERTAINS ÉTATS AMÉRICAINS ET CERTAINES PROVINCES CANADIENNES N'ADMETTENT PAS LE PRINCIPE DE LA LIMITATION OU DE L'EXCLUSION DES DOMMAGES INDIRECTS ET SECONDAIRES, IL EST POSSIBLE QUE LES LIMITATIONS OU EXCLUSIONS CI-DESSUS NE S'APPLIQUENT PAS À VOTRE CAS.

CETTE GARANTIE LIMITÉE VOUS DONNE DES DROITS PRÉCIS, ET VOUS POUVEZ ÉGALEMENT AVOIR D'AUTRES DROITS QUI VARIENT D'UN ÉTAT À L'AUTRE AUX ÉTATS-UNIS, D'UNE PROVINCE À L'AUTRE AU CANADA, ET D'UN PAYS À L'AUTRE.

CETTE GARANTIE LIMITÉE S'APPLIQUE UNIQUEMENT AUX OUTILS VENDUS AUX ÉTATS-UNIS D'AMÉRIQUE, AU CANADA ET DANS LE COMMONWEALTH DE PORTO RICO. POUR CONNAÎTRE LA COUVERTURE DE GARANTIE DANS LES AUTRES PAYS, CONTACTEZ VOTRE IMPORTATEUR OU REVENDEUR SKIL LOCAL.

GARANTÍA LIMITADA PARA HERRAMIENTAS ELÉCTRICAS DE BANCO DE CONSUMO SKIL

Robert Bosch Tool Corporation ("el Vendedor") garantiza, únicamente al comprador original, que todas las herramientas eléctricas de banco de consumo SKIL estarán libres de defectos de material o de fabricación durante un período de tres años a partir de la fecha de compra, si el comprador original registra el producto dentro del plazo de 30 días después de la fecha de compra. El registro del producto se puede completar a través de Internet en www.skil.com o por correo con la tarjeta de registro incluida en el producto empaquetado. Los compradores originales también deberán retener su recibo como comprobante de compra. Los compradores originales que no registren su producto recibirán la garantía de uso doméstico de un año Skil estándar. Los modelos de herramientas eléctricas portátiles de banco de consumo SKIL estarán libres de defectos de material o de fabricación durante un período de noventa días si la herramienta se emplea para uso profesional.

LA ÚNICA OBLIGACIÓN DEL VENDEDOR Y EL RECURSO EXCLUSIVO QUE USTED TIENE bajo esta Garantía Limitada y, hasta donde la ley lo permita, bajo cualquier garantía o condición implícita por ley, consistirá en la reparación o sustitución sin costo de las piezas que presenten defectos de material o de fabricación y que no hayan sido utilizadas incorrectamente, manejadas descuidadamente o reparadas incorrectamente por personas que no sean el Vendedor o una Estación de servicio autorizada. Para efectuar una reclamación bajo esta Garantía Limitada, usted debe devolver el producto completo, con el transporte prepagado, a cualquier Centro de servicio de fábrica SKIL o Estación de servicio SKIL autorizada. Para localizar Estaciones de servicio autorizadas de herramientas mecánicas SKIL, sírvase visitar www.skil.com o llame al 1-877-SKIL-999 (1-877-754-5999).

ESTA GARANTÍA LIMITADA NO SE APLICA A ARTÍCULOS ACCESORIOS TALES COMO HOJAS PARA SIERRAS CIRCULARES, BROCAS PARA TALADROS, BROCAS PARA FRESADORAS, HOJAS PARA SIERRAS DE VAIVÉN, CORREAS PARA LIJAR, RUEDAS DE AMOLAR Y OTROS ARTÍCULOS RELACIONADOS.

TODAS LAS GARANTÍAS IMPLÍCITAS TENDRÁN UNA DURACIÓN LIMITADA A UN AÑO A PARTIR DE LA FECHA DE COMPRA. ALGUNOS ESTADOS DE LOS EE.UU. Y ALGUNAS PROVINCIAS CANADIENSES NO PERMITEN LIMITACIONES EN CUANTO A LA DURACIÓN DE UNA GARANTÍA IMPLÍCITA, POR LO QUE ES POSIBLE QUE LA LIMITACIÓN ANTERIOR NO SEA APLICABLE EN EL CASO DE USTED.

EL VENDEDOR NO SERÁ RESPONSABLE EN NINGÚN CASO DE NINGÚN DAÑO INCIDENTAL O EMERGENTE (INCLUYENDO PERO NO LIMITADO A RESPONSABILIDAD POR PÉRDIDA DE BENEFICIOS) QUE SE PRODUZCA COMO CONSECUENCIA DE LA VENTA O UTILIZACIÓN DE ESTE PRODUCTO. ALGUNOS ESTADOS DE LOS EE.UU. Y ALGUNAS PROVINCIAS CANADIENSES NO PERMITEN LA EXCLUSIÓN O LIMITACIÓN DE LOS DAÑOS INCIDENTALES O EMERGENTES, POR LO QUE ES POSIBLE QUE LA LIMITACIÓN O EXCLUSIÓN ANTERIOR NO SEA APLICABLE EN EL CASO DE USTED.

ESTA GARANTÍA LIMITADA LE CONFIERE A USTED DERECHOS LEGALES ESPECÍFICOS Y ES POSIBLE QUE USTED TAMBIÉN TENGA OTROS DERECHOS QUE VARÍAN DE ESTADO A ESTADO EN LOS EE.UU., DE PROVINCIA A PROVINCIA EN CANADÁ Y DE PAÍS EN PAÍS.

ESTA GARANTÍA LIMITADA SE APLICA SÓLO A LOS PRODUCTOS VENDIDOS EN LOS ESTADOS UNIDOS DE AMÉRICA, CANADÁ Y EL ESTADO LIBRE ASOCIADO DE PUERTO RICO. PARA COBERTURA DE GARANTÍA EN OTROS PAÍSES, PÓNGASE EN CONTACTO CON SU DISTRIBUIDOR O IMPORTADOR LOCAL DE SKIL.

© Robert Bosch Tool Corporation 1800 W. Central Road Mt. Prospect, IL 60056-2230

Exportado por: Robert Bosch Tool Corporation Mt. Prospect, IL 60056-2230, E.U.A.

Importado a México por: Robert Bosch, S.A. de C.V., Calle Robert Bosch No. 405, Zona Industrial, Toluca, Edo. de México, C.P. 50070, Tel. (722) 2792300