

IMPORTANT:
Read Before Using

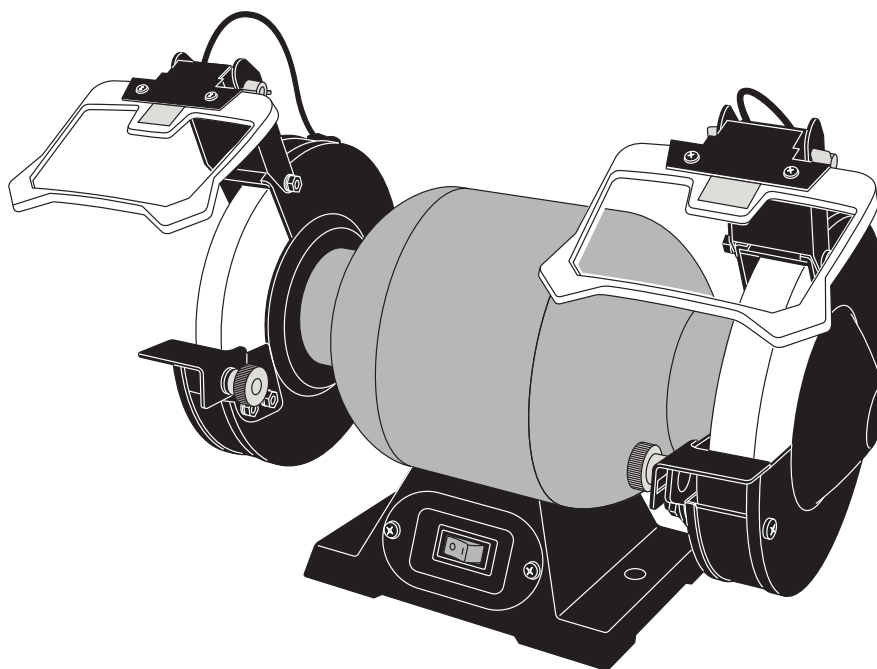
IMPORTANT :
Lire avant usage

IMPORTANTE:
Leer antes de usar



Operating/Safety Instructions
Consignes d'utilisation/de sécurité
Instrucciones de funcionamiento y seguridad

3380-01



SKIL®

**Call Toll Free for
Consumer Information
& Service Locations**

**Pour obtenir des informations et
les adresses de nos centres de
service après-vente,
appelez ce numéro gratuit**

**Llame gratis para
obtener información
para el consumidor y
ubicaciones de servicio**

1-877-SKIL999 (1-877-754-5999) www.skil.com

**For English Version
See page 2**

**Version française
Voir page 15**

**Versión en español
Ver la página 28**

General Safety Rules



“READ ALL INSTRUCTIONS” Failure to follow the safety rules listed below and other basic safety precautions may result in serious personal injury.

Work Area

KEEP CHILDREN AWAY

Do not let visitors contact tool or extension cord. All visitors should be kept safe distance from work area.

KEEP WORK AREAS CLEAN

Cluttered areas and benches invite accidents.

MAKE WORKSHOP KID-PROOF

With padlocks, master switches, or by removing starter keys.

AVOID DANGEROUS ENVIRONMENTS

Don't use power tools in damp or wet locations. Keep work area well lit. Do not expose power tools to rain. Do not use the tool in the presence of flammable liquids or gases.

Personal Safety

KNOW YOUR POWER TOOL

Read and understand the owner's manual and labels affixed to the tool. Learn its application and limitations as well as the specific potential hazards peculiar to this tool.

DON'T OVERREACH

Keep proper footing and balance at all times.

STAY ALERT

Watch what you are doing. Use common sense. Do not operate tool when you are tired. Do not operate while under medication or while using alcohol or other drugs.

WEAR PROPER APPAREL

Do not wear loose clothing, gloves, neckties, rings, bracelets, or other jewelry which may get caught in moving parts. Non-slip footwear is recommended. Wear protective hair covering to contain long hair.

ALWAYS USE SAFETY GLASSES

Also use face or dust mask if cutting operation is dusty, and ear plugs during extended periods of operation. Everyday eyeglasses have only impact resistant lenses, they are NOT safety glasses.

GUARD AGAINST ELECTRIC SHOCK

Prevent body contact with grounded surfaces. For example: pipes, radiators, ranges, refrigerator enclosures.

DISCONNECT TOOLS FROM POWER SOURCE

When not in use, before servicing, when changing blades, bits, cutters, etc.

KEEP GUARDS IN PLACE

In working order, and in proper adjustment and alignment.

REMOVE ADJUSTING KEYS AND WRENCHES

When not in use, before servicing, when changing blades, bits, cutters, etc.

REDUCE THE RISK OF UNINTENTIONAL STARTING

Make sure the switch is in the "OFF" position before plugging in tool.

GROUND ALL TOOLS

This tool is equipped with an approved 3-conductor cord and a 3 prong grounding type plug to fit the proper grounding type receptacle. The green conductor in the cord is the grounding wire. Never connect the green wire to a live terminal.

NEVER STAND ON TOOL OR ITS STAND

Serious injury could occur if the tool is tipped or if the cutting tool is accidentally contacted. Do not store materials on or near the tool such that it is necessary to stand on the tool or its stand to reach them.

CHECK DAMAGED PARTS

Before further use of the tool, a guard or other part that is damaged should be carefully checked to ensure that it will operate properly and perform its intended function. Check for alignment of moving parts, mounting, and any other conditions that may affect its operation. A guard or other part that is damaged should be properly replaced.



WARNING All repairs, electrical or mechanical, should be attempted only by trained repairmen. Contact the nearest Skil Factory Service Center, Authorized Service Station or other competent repair service.



WARNING Use only Skil replacement parts; any others may create a hazard.



WARNING The use of any other accessories not specified in the current Skil catalog, may create a hazard

“SAVE THESE INSTRUCTIONS”

Additional Safety Rules

Tool Use

DON'T FORCE TOOL

It will do the job better and safer at the rate for which it was designed.

USE THE RIGHT TOOL

Don't force a small tool or attachment to do the job of a heavy duty tool. Don't use a tool for purpose not intended—for example, don't use a circular saw for cutting tree limbs or logs.

SECURE WORK

Use clamps or a vise to hold work. It's safer than using your hand and it frees both hands to operate the tool.

NEVER LEAVE TOOL RUNNING UNATTENDED

Turn power off. Don't leave tool until it comes to a complete stop.

Tool Care

DO NOT ALTER OR MISUSE TOOL

These tools are precision built. Any alteration or modification not specified is misuse and may result in dangerous conditions.

AVOID GASEOUS AREAS

Do not operate electric tools in a gaseous or explosive atmosphere. Motors in these tools normally spark, and may result in a dangerous condition.

MAINTAIN TOOLS WITH CARE

Keep tools sharp and clean for best and safest performance. Follow instructions for lubricating and changing accessories. Inspect tool cords periodically and if damaged, have repaired by authorized service facility. Inspect extension cords periodically and replace if damaged. Keep handles dry, clean and free from oil and grease.

WARNING Before connecting the tool to a power source (receptacle, outlet, etc.), be sure voltage supplied is the same as that specified on the nameplate of the tool. A power source with a voltage greater than that specified for the tool can result in serious injury to the user, as well as damage to the tool. If in doubt, DO NOT PLUG IN THE TOOL. Using a power source with a voltage less than the nameplate rating is harmful to the motor.

WARNING For your own safety, do not operate your grinder until it is completely assembled and installed according to the instructions ... and until you have read and understood the following:

1. Safety Rules 2-4
2. Motor Specifications 5
3. Getting To Know Your Grinder 8
4. Assembly and Adjustments 9-11
5. Operation 12-13
7. Maintaining Your Grinder 14

8. STABILITY OF THE BENCH GRINDER

If there is any tendency of the bench grinder to tilt or move during any use, bolt it to the bench top or to a piece of 3/4" exterior plywood large enough to stabilize the grinder. Bolt the plywood to the underside of the base so it extends beyond the sides of the base. DO NOT USE PRESSED WOODS PANELS. They can break unexpectedly. If the workpiece is too large to easily support with one hand, provide an auxiliary support.

WARNING Risk of injury due to accidental starting. Do not use in an area where children may be present.

9. LOCATION

Use the grinder in a well lit area and on a level surface, clean and smooth enough to reduce the risk of trips and falls. Use it where neither the operator nor the casual observer is forced to stand in line with a potential kickback.

10. PROTECTION: Eyes, hands, ears and body.

WARNING TO AVOID BEING PULLED INTO THE SPINNING TOOL —

DO NOT WEAR: Loose fitting gloves
Necktie
Loose clothing
Jewelry

DO: TIE BACK LONG HAIR
ROLL LONG SLEEVES ABOVE ELBOWS

a. If any part of your grinder is missing, malfunctioning, has been damaged or broken ... such as the motor switch, or other operating control, a safety device or the power cord ... cease operating immediately until the particular part is properly repaired or replaced.

b. If you are not completely familiar with operating a grinder, consult your instructor, supervisor or other qualified individual.

Additional Safety Rules

c. Only use grinding wheels with a bore exactly equal to that of the grinder arbor (shaft). Your tool is equipped with a 1/2" arbor. Never machine an undersize wheel to fit an arbor.

d. Examine grinding wheels for cracks or other damage before using grinder. Replace cracked, damaged or vibrating wheels immediately.

e. Insure that wheel flanges and blotters (paper discs on each side of the grinding wheel) are used to mount grinding wheels to the grinder shaft. Use only wheel flanges furnished with grinder. Use of other flanges may cause damage or breakage to the grinding wheel and result in injury to the operator.

f. Never operate grinder near flammable fumes or liquids. Sparks from grinding wheel or motor could ignite flammable material.

g. Do not overtighten wheel nuts.

h. Always use all guards and eyeshields, making sure they are properly adjusted and secured. Keep spark guards close to the wheel and readjust inward as the wheel wears. Always use wheel guards and covers when using a wire brush, buffing wheel or standard grinding wheel.

i. Always use grinding wheels that are rated for safe use on this grinder. Never use a wheel rated lower than 3500 R.P.M.

j. Always stop grinder before making any adjustments.

k. Do not move grinder until it comes to a full stop.

l. Do not force work against the grinding wheel. Excessive pressure may damage or break the wheel, resulting in injury to operator or bystander.

m. When turning ON the power, stand to the side of the wheel and allow the grinder to come up to speed and operate for one full minute before applying work to the wheel.

n. Never grind on the side of the wheel. Always grind on the face of the wheel only.

o. Dress the face of the wheel only. Dressing the side of the wheel may make it too thin for safe use.

p. Never apply coolant directly to the grinding wheel. Coolant may deteriorate the bonding strength of the wheel and cause it to fail.

q. Grinding creates HEAT. Never touch the workpiece until you are sure it has cooled sufficiently.

11. NOTE AND FOLLOW THE SAFETY WARNINGS AND INSTRUCTIONS THAT APPEAR ON THE GRINDER:



12. THINK SAFETY

SAFETY IS A COMBINATION OF OPERATOR COMMON SENSE AND ALERTNESS AT ALL TIMES WHEN THE GRINDER IS BEING USED.

Do not allow familiarity (gained from frequent use of your grinder) to become commonplace. Always remember that a careless fraction of a second is sufficient to inflict severe injury.



The operation of any power tool can result in foreign objects being thrown into the eyes, which can result in severe eye damage. Always wear safety goggles that comply with ANSI Z87.1 (shown

on Package) before commencing power tool operation.

Some dust created by power sanding, sawing, grinding, drilling, and other construction activities contains chemicals known to cause cancer, birth defects or other reproductive harm. Some examples of these chemicals are:

- Lead from lead-based paints,
- Crystalline silica from bricks and cement and other masonry products, and
- Arsenic and chromium from chemically treated lumber.

Your risk from these exposures varies, depending on how often you do this type of work. To reduce your exposure to these chemicals: work in a well ventilated area, and work with approved safety equipment, such as those dust masks that are specially designed to filter out microscopic particles.

Motor Specifications and Electrical Requirements

General Specifications

Voltage Rating120 V, 60 Hz
 Amperage Rating2.1 A
 No Load SpeedN_o 3,450/min

Motor Specifications

In the event of a malfunction or breakdown, grounding provides a path of least resistance for electric current to reduce the risk of electric shock. This tool is equipped with an electric cord having an equipment-grounding conductor and a grounding plug. The plug must be plugged into a matching outlet that is properly installed and grounded in accordance with all local codes and ordinances.

This grinder is designed to use a 3450 RPM motor. It is wired for operation on 110-120 volts, 60 Hz. alternating current. Before connecting the motor cord to power source, make certain the switch is in the "OFF" position and be sure the electric current is of the same characteristics as stamped on the grinder nameplate.

Connection To A Power Source

This machine must be grounded while in use to protect the operator from electric shock.

Plug power cord into a 110-120V properly grounded type outlet protected by a 15-amp dual element time delay fuse or circuit breaker.

Not all outlets are properly grounded. If you are not sure that your outlet, as pictured in Fig. 1, is properly grounded; have it checked by a qualified electrician.

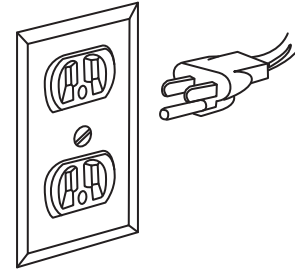
⚠ DANGER To avoid electric shock, do not touch the metal prongs on the plug when installing or removing the plug to or from the outlet.

⚠ DANGER Failure to properly ground this power tool can cause electrocution or serious shock, particularly when used near metal plumbing or other metal objects. If shocked, your reaction could cause your hands to hit the tool.,

⚠ WARNING If power cord is worn, cut or damaged in any way, have it replaced immediately to avoid shock or fire hazard.

Your unit is for use on 120 volts; it has a plug that looks like the one in Figure 1.

FIG. 1



This power tool is equipped with a 3-conductor cord and grounding type plug, approved by Underwriters Laboratories and the Canadian Standards Association. The ground conductor has a green jacket and is attached to the tool housing at one end and to the ground prong in the attachment plug at the other end.

If the outlet you are planning to use for this power tool is of the two-prong type, **DO NOT REMOVE OR ALTER THE GROUNDING PRONG IN ANY MANNER.** Have a qualified electrician replace the TWO-prong outlet with a properly grounded THREE-prong outlet.

Improper connection of the equipment-grounding conductor can result in a risk of electric shock. The conductor with insulation having an outer surface that is green with or without yellow stripes is the equipment-conductor. If repair or replacement of the electric cord or plug is necessary, do not connect the equipment-grounding conductor to a live terminal.

Check with a qualified electrician or service personnel if the grounding instructions are not completely understood, or if in doubt as to whether the tool is properly grounded.

Always use proper extension cord. The use of any extension cord will cause some loss of power. To keep this to a minimum and to prevent overheating and motor burn-out, use the table below to determine the minimum wire size (A.W.G.) extension cord. Use only 3-wire extension cords which have 3-prong grounding type plugs and 3-pole receptacles which accept the tool's plug. Make sure your extension cord is in good condition.

Extension Cord Length	Wire Size A.W.G.
0-25 feet	18
26-50 feet	16
51-100 feet	16

"SAVE THESE INSTRUCTIONS"

Table of Contents

General Safety Rules.....	2	Getting to Know Your Grinder	8
Additional Safety Rules.....	3-4	Assembly and Adjustments	9-11
Motor Specifications and Electrical Requirements....	5	Basic Grinder Operation	12-13
Table of Contents.....	6	Maintaining Your Grinder.....	14
Unpacking and Checking Contents	7		

Unpacking and Checking Contents

⚠ WARNING To reduce the risk of injury, never connect plug to power source outlet until all assembly steps are complete and until you have read and understood the entire owner's manual.

Model 3380 Bench Grinder is shipped complete in one box.

Unpacking and Checking Contents. Separate all parts from packing materials and check each one with the "Table of Loose Parts" to make sure all items are accounted for before discarding any packing material.

⚠ WARNING If any parts are missing, do not attempt to assemble the grinder, plug in power cord or turn the switch on until the missing parts are obtained and are installed correctly.

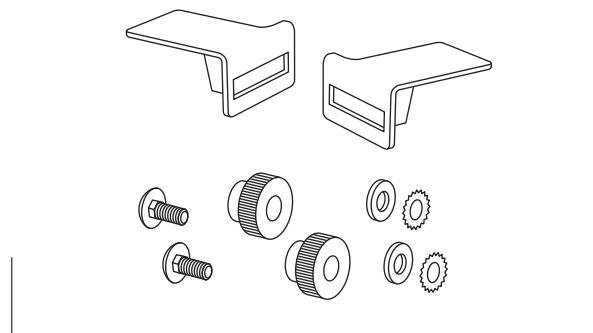
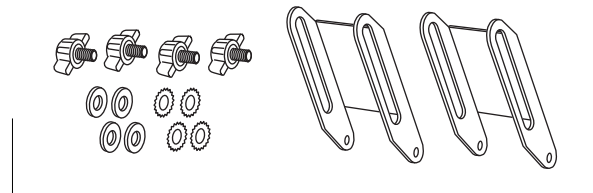
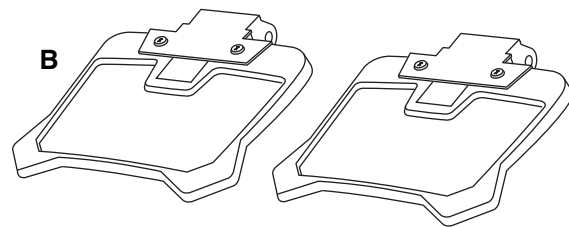
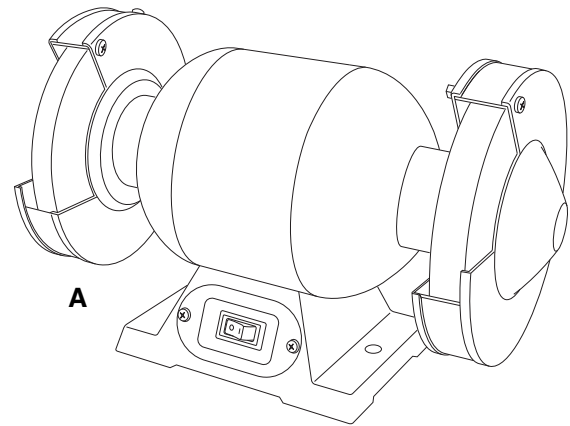


Table of Loose Parts

ITEM	DESCRIPTION	QTY.
A	Grinder Assembly	1
B	Eye Shield	2

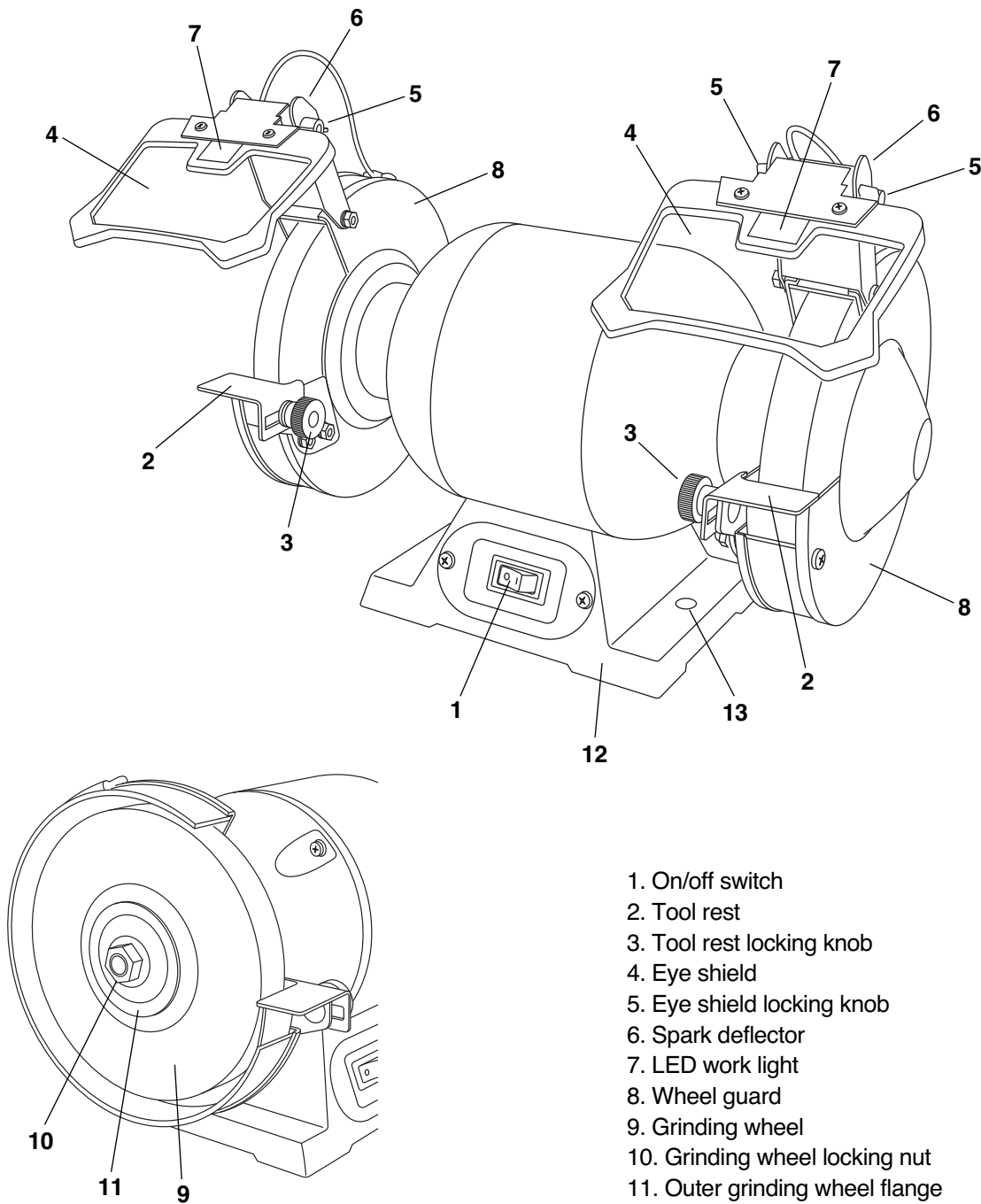
Loose Parts in Bag 1

C	Spark Deflector Bracket	2
	Locking Knob	4
	Flat Washer	4
	Locking washer	4

Loose Parts in Bag 2

D	Tool Rest (LH & RH)	2
	Locking Knob	2
	Flat Washer	2
	Locking washer	2
	Bolt	2

Getting To Know Your Bench Grinder



Assembly and adjustments

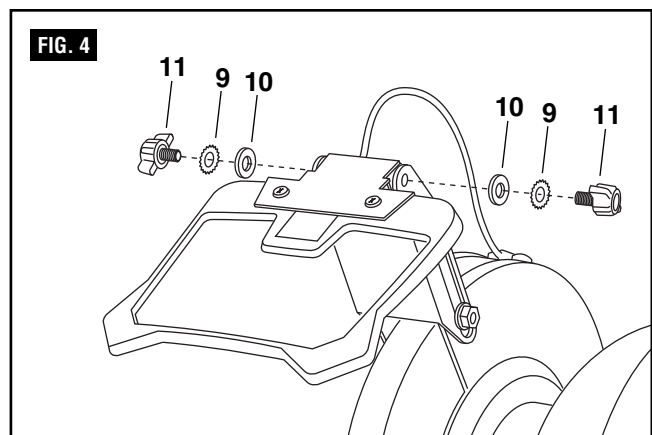
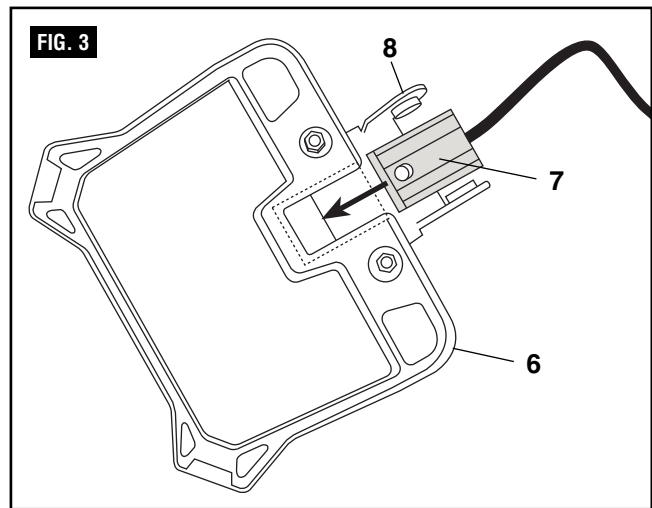
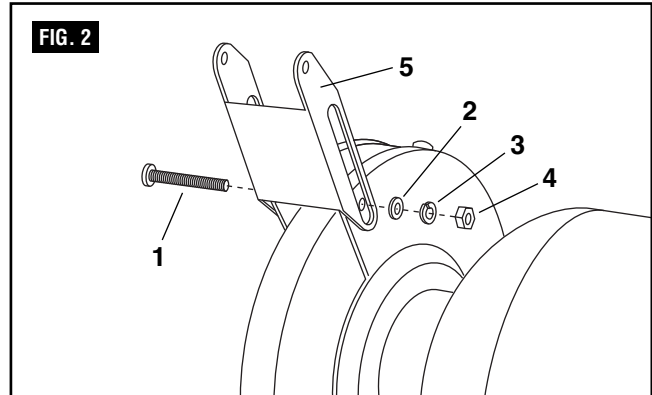
⚠ WARNING To reduce the risk of injury, never connect plug to power source outlet until all assembly steps are completed.

Fitting and adjusting the spark deflectors and eye shields

IMPORTANT: Prior to fitting the eye shields and spark deflectors, ensure the grinder is turned off and the power plug is removed from the socket.

Note: Always check to ensure the eye shields are correctly fitted and the eye shield spark deflectors are correctly adjusted each time the grinder is used. Eye shields and spark deflectors must be fitted over each grinding wheel.

1. Remove the bolt (1,2,3,4) from the top of the wheel guard shown in figure 2.
2. Position the spark deflector (5) to the top of the wheel guard as shown in figure 2.
3. Reinsert the bolt (1) through the spark deflector and wheel guard, followed by the washer (2), lock washer (3), and nut (4).
4. Tighten to secure the spark deflector onto the wheel guard.
5. Hold the eye shield (6) upside down and insert the light assembly (7), by sliding it into position between the shield and the shield's support bracket (8), as shown in figure 3.
6. Position the eye shield on the spark deflector bracket as shown in figure 4.
7. Place a lock washer (9) and a flat washer (10) to each eye shield locking knobs (11), then insert through the spark deflector bracket and thread into the eye shield, tighten the knob in a clockwise direction to secure the eye shield onto the spark deflector bracket.
8. Rotate the wheel by hand one full revolution to ensure the wheel can rotate without contacting the spark deflector bracket. Firmly tighten the knob retaining the bracket.
9. Repeat for the opposite side.



Assembly and adjustments

Fitting the tool rests

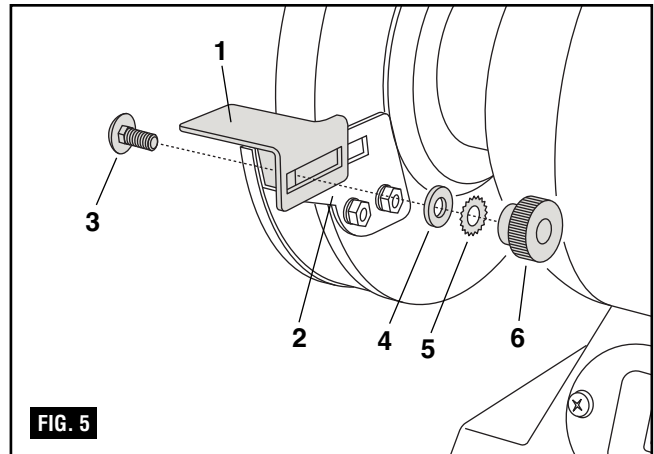
The tool rests are required for each high speed grinding wheel to assist in the grinding operation.

⚠ WARNING To reduce the risk of injury, never use a bench grinder on which the tool rest has not been fitted or where the tool rest has not been correctly adjusted.

Note. The tool rests are right and left handed. Follow the diagrams to ensure the correct tool rest is fitted to the correct side.

IMPORTANT. Prior to fitting the tool rests, ensure the grinder is turned off and the power plug is removed from the socket.

3. Hold the tool rest (1) in the correct position against the tool rest bracket (2).
4. Insert bolt (3) through tool rest bracket and tool rest, followed by a washer (4), lock washer (5), and locking knob (6).
5. Tighten the locking knob sufficiently to support the tool rest but still allowing the tool rest to slide inwards and outwards.
6. Slide the tool rest to within a maximum of 1.5mm from the wheel. Rotate the wheel one full revolution by hand to ensure the wheel does not contact the tool rest.
7. Tighten the locking knob firmly to retain the assembly.
8. Repeat the assembly operation for the second tool rest.



Assembly and adjustments

Mounting Bench Grinder to Workbench

If bench grinder is to be used in a permanent location, it should be fastened securely to a firm supporting surface such as a stand or workbench using the two mounting holes (1), one of which is shown in figure 6.

When mounting grinder to a workbench, holes should be drilled through the supporting surface of the workbench using the dimensions illustrated (Fig. 6).

1. Each of the two mounting holes should be bolted securely using 5/16" hex nuts (not included). Screw lengths should be 1-1/2" longer than the thickness of the bench top.
2. Locate and mark where the grinder is to be mounted.
3. Drill two (2) 7/16" diameter holes through workbench.
4. Place bench grinder on workbench aligning holes in base with holes drilled in workbench.
5. Insert two (2) 5/16" screws and tighten.

Mounting to Plywood

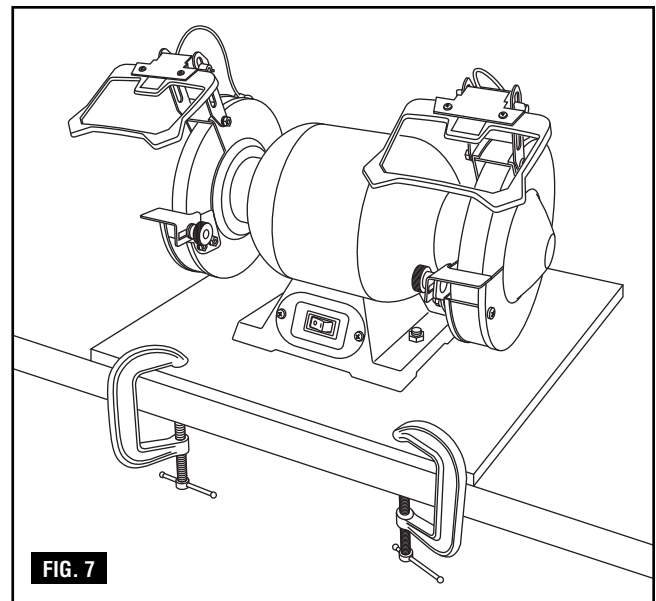
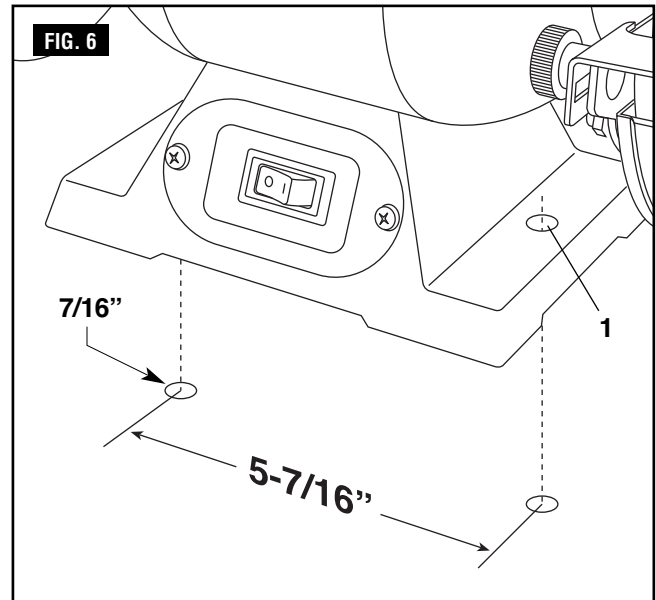
An alternative method of securing your bench grinder is to fasten the grinder base to a mounting board 12" x 18" minimum size to prevent grinder from tipping while in use. Any good grade of plywood with a 3/4" minimum thickness is recommended (Fig. 7).

1. Follow instructions for mounting to workbench, substituting a plywood board 12" x 18" minimum size and using 5/16" flat head screws, lockwashers and hex nuts (not included). Screw length must be at least 1-1/2" more than the thickness of the mounting board.

NOTE: For proper stability, holes must be countersunk so screw heads are flush with the bottom surface of the supporting board.

2. Securely clamp board to workbench using two or more "C" clamps (Fig. 7).

Supporting surface where grinder is to be mounted should be examined carefully after mounting to insure that no movement can occur during use. If any tipping or walking is noted, secure the workbench or stand before operating the bench grinder.



Operation

⚠ WARNING Risk of injury due to accidental starting. Do not use in an area where children may be present.

IMPORTANT: Prior to using the grinder, check that the eye shields, spark deflectors, and tool rests are fitted and correctly adjusted and that you are wearing safety gear including eye, hearing and breathing protection.

1. Turn the wheel by hand to make sure it does not touch the guard, eye shields, spark deflectors or tool rests and runs freely.
2. Stand to one side, turn the switch on and allow the motor to reach full speed.

To start grinder: push the right hand side of the switch. To turn the grinder off, push the left hand side of the switch. The "ON" and "OFF" positions are stamped on the switch plate (Fig. 8). If the grinder does not immediately start, switch the grinder "OFF", disconnect the power cord and check voltage at power source.

⚠ WARNING To reduce the risk of injury, no adjustments to tool rests, spark shields or other components should be made while the grinder wheels are turning.

3. Support the workpiece on the tool rest and gradually feed the workpiece onto the wheel. Use pliers to hold small workpieces.

Note. Traverse the workpiece across the full width of the wheel to prolong its flat surface.

4. If the grinding operation causes the motor speed to noticeably decrease, pull back the workpiece, allow the motor to regain full speed and restart the grinding operation, but apply less force.

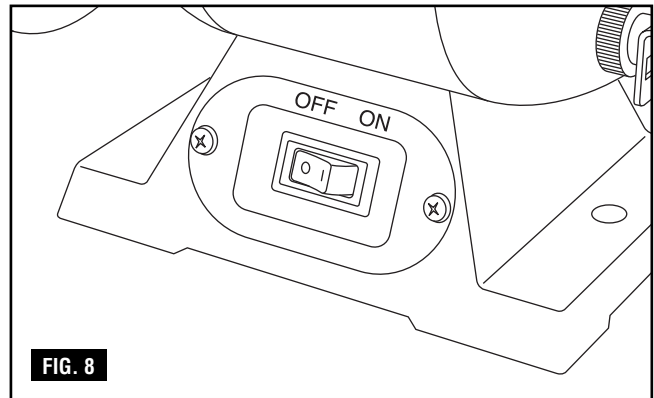
⚠ WARNING To reduce the risk of injury, only use the front face of the grinding wheel, not the sides. Note that the workpiece can get very warm. It may be necessary to cool a workpiece by dipping it in a coolant or in water. Do not apply coolant or water to the grinding wheel.

LED Light

Your tool is equipped with LED lights for better visibility in the work area during operation. When the tool is turned on, the light will turn on automatically and stays on until the tool is turned off.

How to true and dress the wheels

Dressing a wheel cleans and levels the front surface to increase efficiency of operation and prevent vibration.



1. Dressing a wheel involves the use of a wheel dresser which is not supplied with the grinder. Follow the manufacturers instructions of the wheel dresser.
2. Adjust the tool rest to allow the front part of the wheel dresser to fit between the tool rest and wheel.
3. Start the motor and move the dresser across the front of the wheel a sufficient number of times until the surface is level. It is not necessary to apply excessive force in an attempt to dress the wheel in one pass of the wheel dresser.
4. Adjust the tool rest so that it is no more than 1.5mm from the wheel.
5. Adjust the spark deflector to ensure the gap between the deflector and wheel is less than 6mm.

Grinder adjustments

During the life of the grinder some adjustments are required to maintain a safe working environment.

Please ensure the following:

- Always adjust the eye shields to the most comfortable and most effective angle to suit the task being performed.
- As the wheels wear, the spark deflector must be adjusted to ensure the gap between the spark deflector and wheel does not exceed 6mm.
- As the wheels wear the tool rests must also be adjusted so there is never a gap of greater than 1.5mm between the wheel and the edge of the tool rest.

Operation

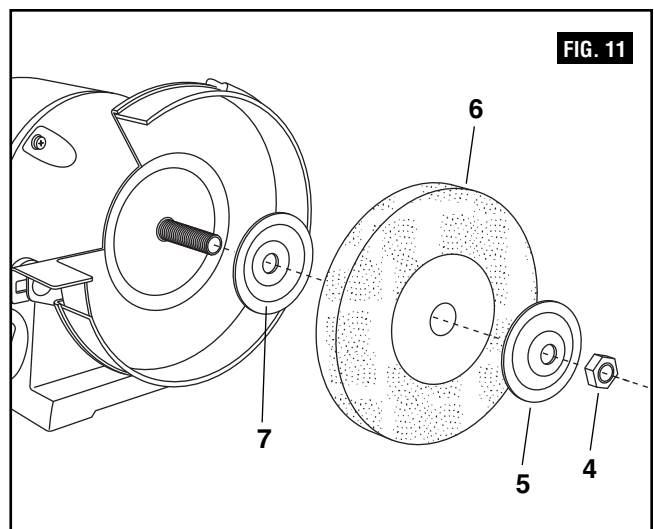
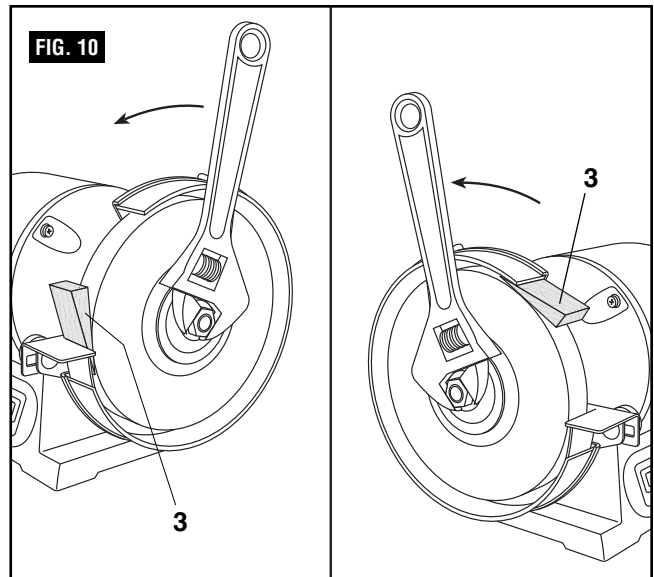
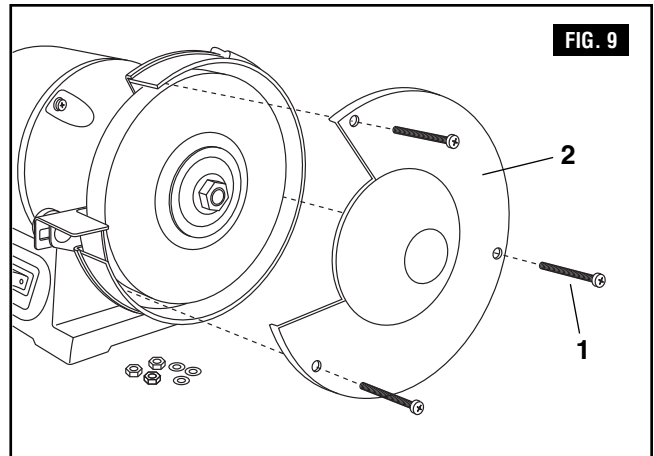
Changing a grinding wheel

IMPORTANT: Prior to changing a wheel, ensure the grinder is turned off and the power plug is removed from the socket. Make sure that the replacement wheel is rated at 3500 RPM or higher.

1. Loosen and remove the 3 bolts (1) on the wheel guard (2), as shown in figure 9.
2. Remove the wheel guard.
3. To prevent wheel rotation, place a wood wedge (3) between the grinding wheel and the tool rest (Figure 10).
4. Remove the locking nut (4) (see note below for correct direction of rotation), outer flange (5) and the wheel (6).

Note: The wheel on the left-hand side of the bench grinder has a left-hand thread and is unscrewed in a clockwise direction. The wheel on the right-hand side of the bench grinder has a right-hand thread and is unscrewed in an anti-clockwise direction.

5. Fit the replacement wheel (6) and outer flange (5) on the shaft ensuring that there is a blotter between the wheel and the flanges on each side of the wheel. Ensure the wheel is a slide fit (not loose) on the spindle (Figure 11).
6. Replace the grinding wheel nut (4) and tighten. (See the note above regarding the direction of rotation of the nut).
7. Replace the wheel guard.
8. Reinsert the 3 bolts (1), washers, lock washers, nuts, and tighten wheel guard in place.
9. Re-adjust the tool rest, spark deflector and eye shield.
10. Rotate the wheel by hand to check for free movement and proper adjustments.
11. Plug in the bench grinder, put on eye protection, stand to one side and run the grinder at full speed for several minutes.



Maintaining Your Bench Grinder

Maintenance

⚠ WARNING To reduce the risk of injury, turn power switch “OFF” and remove plug from the power source outlet before maintaining or lubricating your grinder.

GENERAL

Frequently blow out any dust that may accumulate inside the motor.

An occasional coat of paste wax on the work table will allow the wood being cut to glide smoothly across the work surface.

⚠ CAUTION Certain cleaning agents and solvents damage plastic parts. Including: gasoline, carbon tetrachloride, chlorinated cleaning solvents, ammonia and household detergents that contain ammonia. Avoiding use of these and other types of cleaning agents minimizes the probability of damage.

⚠ WARNING To avoid shock or fire hazard, if the power cord is worn, cut or damaged in any way, have it replaced immediately.

⚠ WARNING All repairs, electrical or mechanical, should be attempted only by trained repairmen. Contact the nearest Skil Factory Service Center, Authorized Skil Service Station or other competent repair service. Use only Skil replacement parts; any other may create a hazard.

Lubrication

All of the BALL BEARINGS are packed with grease at the factory. They require no further lubrication.

Accessories

Use only recommended accessories. Follow instructions that accompany accessories. Use of improper accessories may cause hazards.

Consignes générales de sécurité



LISEZ TOUTES LES CONSIGNES. Le non-respect des consignes de sécurité indiquées ci-dessous et d'autres précautions de sécurité de base peut entraîner des blessures corporelles graves.

Lieu de travail

GARDEZ LES ENFANTS À UNE DISTANCE APPROPRIÉE

Ne laissez pas les visiteurs entrer en contact avec un outil ou un fil de rallonge. Tous les visiteurs doivent être gardés à une distance suffisante du lieu de travail pour garantir leur sécurité.

MAINTENEZ LE LIEU DE TRAVAIL PROPRE

Les zones et tables encombrées augmentent les risques d'accidents.

ASSUREZ LA SÉCURITÉ DES ENFANTS DANS L'ATELIER

Utilisez des cadenas et/ou des coupe-circuits, ou retirez les clés de mise en marche.

ÉVITEZ LES ENVIRONNEMENTS DANGEREUX

N'utilisez pas les outils dans des endroits humides. Gardez la zone de travail bien éclairée. N'exposez pas les outils électriques à la pluie. N'utilisez pas l'outil en présence de liquides ou de gaz inflammables.

Sécurité personnelle

CONNAISSEZ VOTRE OUTIL ÉLECTRIQUE

Lisez et comprenez le mode d'emploi et les étiquettes apposées sur l'outil. Apprenez son application et ses limitations, ainsi que les risques spécifiques possibles associés à l'emploi de cet outil.

NE VOUS PENCHEZ PAS EXCESSIVEMENT

Maintenez toujours une bonne assise pour ne pas risquer de perdre l'équilibre.

RESTEZ ALERTE

Faites attention à ce que vous faites. Faites preuve de bon sens. N'utilisez pas cet outil lorsque vous êtes fatigué. Ne vous en servez pas après avoir consommé de l'alcool ou lorsque vous prenez des médicaments altérant votre état mental.

PORTEZ DES VÊTEMENTS APPROPRIÉS

Ne portez pas de vêtements lâches, de gants, de cravate, de bagues, de bracelets ou d'autres bijoux qui risqueraient d'être attrapés dans des pièces en mouvement. Il est recommandé de porter des chaussures à semelle antidérapante. Couvrez-vous les cheveux si vous avez les cheveux longs.

UTILISEZ TOUJOURS DES LUNETTES DE SÉCURITÉ

Utilisez aussi un masque facial ou un masque antipoussières si l'opération de coupe produit de la sciure, et portez des bouches-oreilles en cas d'utilisation prolongée. Les lunettes ordinaires n'ont que des lentilles à l'épreuve des chocs – elles NE sauraient remplacer des lunettes de sécurité.

PROTECTION CONTRE LES CHOCS ÉLECTRIQUES

Empêchez tout contact de quelconques parties de votre corps avec des surfaces mises à la terre – par exemple : tuyaux, radiateurs, cuisinière électrique, enceinte de réfrigérateur.

DÉBRANCHEZ LES OUTILS DE LA SOURCE D'ALIMENTATION ÉLECTRIQUE

Lorsque l'outil n'est pas utilisé, avant une opération d'entretien, lors du changement de lames, de mèches, de couteaux, etc.

LAISSEZ LES DISPOSITIFS DE PROTECTION À LEUR PLACE

En bon ordre de fonctionnement, et bien ajustés et alignés

RETIREZ LES CLÉS ET CLAVETTES DE RÉGLAGE

Lorsque l'outil n'est pas utilisé, avant une opération d'entretien, lors du changement de lames, de mèches, de couteaux, etc.

DIMINUEZ LE RISQUE DE MISE EN MARCHÉ ACCIDENTELLE

Assurez-vous que l'interrupteur est dans la position hors tension (« OFF ») avant de brancher l'outil.

METTEZ TOUS LES OUTILS À LA TERRE

Cet outil est muni d'un cordon à trois conducteurs agréé et d'une fiche de mise à la terre de type à trois broches qui sont compatibles avec la prise de mise à la terre du type approprié. Le conducteur vert du cordon est le fil de mise à la terre. Ne connectez jamais le fil vert à une borne sous tension.

NE MONTEZ JAMAIS SUR L'OUTIL OU SUR SON SUPPORT

Vous risqueriez une blessure grave si l'outil basculait ou en cas de contact accidentel avec l'outil. Ne placez pas de matériaux sur l'outil ou à proximité de celui-ci de telle manière qu'il pourrait être nécessaire de monter sur l'outil ou sur son support pour les atteindre.

INSPECTEZ LES PIÈCES ENDOMMAGÉES LE CAS ÉCHÉANT

Avant de continuer à utiliser l'outil, inspectez attentivement tout dispositif de protection ou autre élément endommagé pour vous assurer qu'il fonctionne correctement et joue le rôle qu'il est censé jouer. Vérifiez l'alignement des pièces mobiles, les mécanismes de montage et tous les autres problèmes éventuels qui pourraient affecter le fonctionnement. Il faut remplacer tout dispositif de protection ou autre élément endommagé comme il se doit.



Il ne faut demander qu'à des réparateurs ayant reçu la formation nécessaire d'effectuer des réparations, qu'elles soient électriques ou mécaniques. Contactez le Centre de service usine Skil, un Centre de service après-vente agréé ou un autre service de réparation qualifié.



N'utilisez que des pièces de rechange Skil ; l'emploi de pièces différentes risquerait d'être dangereux.



L'utilisation d'accessoires quelconques qui ne figurent pas dans le catalogue Skil actuel risquerait d'être dangereuse.

« CONSERVEZ CES CONSIGNES »

Consignes générales de sécurité

Emploi de l'outil

NE FORCEZ PAS L'OUTIL

L'outil fonctionnera mieux et de façon moins dangereuse à la vitesse pour laquelle il a été conçu.

UTILISEZ L'OUTIL QUI CONVIENT

Ne forcez pas un petit outil ou accessoire pour faire le travail d'un outil plus robuste. N'utilisez pas d'outils à des fins pour lesquelles ils n'ont pas été conçus – par exemple, n'utilisez pas de scie circulaire pour couper des branches d'arbres ou des bûches.

ASSUJETTISSEZ L'OUVRAGE

Utilisez des brides ou des étaux pour maintenir l'ouvrage en place. C'est plus sûr que d'utiliser vos mains, et cela vous permet de vous servir de vos deux mains pour utiliser l'outil.

NE LAISSEZ JAMAIS UN OUTIL EN MARCHÉ SANS SURVEILLANCE

Mettez l'outil hors tension. Ne vous en éloignez pas avant qu'il se soit complètement arrêté.

Entretien de l'outil

N'ALTÉREZ PAS L'OUTIL ET UTILISEZ-LE CONFORMÉMENT AUX INSTRUCTIONS

Ces outils sont construits avec une grande précision. Toute altération ou modification non spécifiée constitue une utilisation non conforme qui risquerait de causer des conditions dangereuses.

ÉVITEZ D'UTILISER DANS UN ENVIRONNEMENT GAZEUX

N'utilisez pas d'outils électriques dans une atmosphère gazeuse ou explosive. Les moteurs associés à ces outils produisent généralement des étincelles qui risqueraient de causer des conditions dangereuses.

ENTRETIENEZ SOIGNEUSEMENT LES OUTILS

Gardez les outils bien aiguisés et propres pour obtenir le meilleur rendement et réduire les dangers. Suivez les instructions pour lubrifier et changer les accessoires. Inspectez périodiquement les cordons électriques des outils et, s'ils sont endommagés, faites-les réparer par un service de réparation agréé. Inspectez périodiquement les fils de rallonge et remplacez-les s'ils sont endommagés. Maintenez les poignées sèches et propres, et assurez-vous qu'il n'y a pas de taches d'huile ou de graisse.

⚠ AVERTISSEMENT Avant de brancher l'outil dans une source d'alimentation électrique (prise de courant, connecteur de prolongation, etc.), assurez-vous que la tension fournie est la même que celle qui est indiquée sur la plaque signalétique de l'outil. Une source d'alimentation électrique ayant une tension supérieure à celle qui est spécifiée pour l'outil pourrait causer des blessures graves à l'utilisateur, ainsi que des dommages à l'outil. Si vous avez le moindre doute, NE BRANCHEZ PAS L'OUTIL. L'utilisation d'une source d'alimentation électrique ayant une tension inférieure à celle de la plaque signalétique est mauvaise pour le moteur.

⚠ AVERTISSEMENT Pour votre propre sécurité, ne vous servez pas de votre meuleuse avant qu'elle n'ait été complètement assemblée et installée conformément aux instructions ... et avant d'avoir lu et compris ce qui suit :

1. Consignes de sécurité15-17
2. Spécifications du moteur18
3. Connaissance élémentaire de votre meuleuse21
4. Assemblage et réglages22-24
5. Fonctionnement25-26
6. Entretien de votre meuleuse27

7. STABILITÉ DE LA MEULEUSE D'ÉTABLI

Si la meuleuse d'établi a tendance à se balancer ou à bouger pendant l'emploi, boulonnez-la au dessus de l'établi ou à un morceau de contreplaqué pour extérieur de 3/4 po qui soit assez grand pour stabiliser la meuleuse. Boulonnez le contreplaqué au dessous de la base de façon qu'il dépasse des côtés de la base. N'UTILISEZ PAS DE PANNEAUX DE BOIS COMPRIMÉ. Ils pourraient se casser tout à coup. Fournissez un support auxiliaire si l'ouvrage est trop grand pour pouvoir être soutenu facilement d'une seule main.

⚠ AVERTISSEMENT Risque de blessure en cas de mise en marche accidentelle. Ne pas utiliser dans un endroit où des enfants pourraient être présents.

8. EMPLACEMENT

Servez-vous de la meuleuse dans un endroit bien éclairé et sur une surface de niveau, propre et assez lisse pour réduire le risque de trébucher et de tomber. Utilisez-la à des endroits où ni l'opérateur, ni l'observateur occasionnel ne sera forcé de se trouver à un endroit où un choc en retour est possible.

9. PROTECTION : yeux, mains, oreilles et corps.

⚠ AVERTISSEMENT POUR NE PAS RISQUER D'ÊTRE HAPPÉ PAR L'OUTIL EN MOUVEMENT –

NE PORTEZ PAS : de gants lâches
de cravate
de vêtements lâches
de bijoux

FAITES CECI : ATTACHEZ VOS CHEVEUX LONGS DERRIÈRE VOTRE DOS
REMONTÉZ VOS MANCHES LONGUES AU-DESSUS DU COUDE

a. Si une partie quelconque de votre meuleuse est manquante, ne fonctionne pas correctement, a été endommagée ou est cassée ... comme l'interrupteur du moteur ou une autre commande de fonctionnement, un mécanisme de sécurité ou le cordon d'alimentation électrique ... arrêtez immédiatement de vous servir de la meuleuse en attendant que la pièce en question ait été réparée correctement ou remplacée.

b. Si vous n'êtes pas tout à fait à l'aise avec toutes les commandes de la meuleuse, consultez votre instructeur, votre chef de service ou une autre personne compétente en la matière.

Consignes de sécurité additionnelles

c. Utilisez seulement des meules dont l'alésage est exactement égal à celui de l'arbre de la meuleuse. Votre outil est équipé d'un arbre de 1/2 po. Ne forcez jamais une meule de taille insuffisante autour d'un arbre.

d. Examinez les meules pour vous assurer qu'elles ne sont pas endommagées avant d'utiliser la meuleuse. Remplacez immédiatement les meules qui sont fissurées ou endommagées, ou les meules produisant des vibrations.

e. Assurez-vous que les brides et les papiers absorbeurs (disques de papier placés de chaque côté de la meule) de la meule sont utilisés correctement pour monter les meules autour de l'arbre de la meuleuse. N'utilisez que les brides de meules fournies avec la meuleuse. L'emploi d'autres types de brides risquerait d'endommager ou de briser la meule, et il pourrait entraîner une blessure de l'opérateur.

f. N'employez jamais la meuleuse à proximité de fumées ou de liquides inflammables. Des étincelles provenant de la meule ou du moteur risqueraient de mettre feu à des matériaux inflammables.

g. Ne serrez pas excessivement les écrous de fixation de la meule.

h. Utilisez toujours tous les dispositifs de protection et portez toujours des lunettes de sécurité en vous assurant qu'elles sont bien ajustées et solidement en place. Maintenez les dispositifs de protection contre les étincelles à proximité de la meule et réajustez-les vers l'intérieur au fur et à mesure que la meule s'use. Utilisez toujours des dispositifs de protection de la meule et les caches nécessaires lorsque vous utilisez une brosse métallique, une meule à polir ou une meule à affûter standard.

i. Utilisez toujours des meules qui sont classées comme étant appropriées pour un emploi sans danger sur cette meuleuse. N'utilisez jamais une meule tournant à moins de 3 500 tr/mn (vitesse nominale).

j. Arrêtez toujours la meuleuse avant de procéder à de quelconques réglages.

k. Ne déplacez pas la meuleuse avant qu'elle ne se soit complètement arrêtée.

l. Ne forcez pas l'ouvrage contre la meule. Une pression excessive pourrait endommager ou casser la meule, ce qui risquerait de causer des blessures à l'opérateur ou à d'autres personnes présentes.

m. Lorsque vous allumez la meuleuse en la mettant sous tension (ON), tenez-vous à côté de la meule et attendez que la meuleuse atteigne sa vitesse normale, puis faites-la fonctionner à vide pendant une minute entière avant d'appliquer l'ouvrage contre la meule.

n. Ne meulez jamais en utilisant le côté de la meule. Meulez toujours sur la face de la meule exclusivement.

o. Profilez seulement la face de la meule. Si vous profilez le côté de la meule, cela risquerait de la rendre trop mince pour assurer une utilisation sans danger.

p. N'appliquez jamais de fluide de refroidissement directement sur la meule. Le fluide de refroidissement risquerait de détériorer la résistance de liage de la meule et de causer sa rupture.

q. Le meulage produit de la CHALEUR. Ne touchez jamais l'ouvrage avant de vous être assuré qu'il a suffisamment refroidi.

10. NOTEZ ET SUIVEZ LES AVERTISSEMENTS RELATIFS À LA SÉCURITÉ QUI SONT APPOSÉS SUR LA MEULEUSE :



11. LA SÉCURITÉ AVANT TOUT

LA SÉCURITÉ EST UNE COMBINAISON DE BON SENS DE L'OPÉRATEUR ET DE VIVACITÉ D'ESPRIT À TOUT MOMENT PENDANT QUE LA SCIE EST EN TRAIN DE FONCTIONNER.

Il faut toujours rester vigilant, même si, au bout d'un certain temps, le fait d'avoir utilisé souvent votre meuleuse risque de vous faire croire qu'il n'existe aucun danger. Souvenez-vous toujours qu'une seconde d'inattention est suffisante pour causer une blessure grave.



L'utilisation de n'importe quel outil électrique peut causer la projection de corps étrangers dans les yeux, ce qui risquerait de causer des lésions graves aux yeux. Portez toujours des lunettes de sécurité conformes à la norme ANSI

Z87.1 avant de commencer à vous servir d'un outil électrique.

Certaines poussières créées par des opérations de ponçage, de sciage, de rectification, de perçage et d'autres activités de construction avec des outils électriques contiennent des produits chimiques qui sont connus comme causant des cancers, des malformations congénitales et d'autres problèmes affectant la reproduction. Voici quelques exemples de tels produits chimiques :

- Le plomb de peintures à base de plomb,
- La silice cristalline de briques et de ciment, ainsi que d'autres produits de maçonnerie, et
- L'arsenic et le chrome de bois d'œuvre ayant subi un traitement chimique.

Votre risque résultant de telles expositions est variable, selon la fréquence de votre exposition. Pour réduire votre exposition à de tels produits chimiques : travaillez dans un endroit bien ventilé et en portant un matériel de sécurité agréé, comme un masque antipoussières qui est conçu spécialement pour filtrer les particules microscopiques.

Spécifications du moteur et spécifications électriques

Spécifications générales

Tension nominale120 V, 60 Hz
Débit nominal en ampères 2,1 A
Vitesse à vide N₀ 3 450 tr/mn

Spécifications du moteur

En cas de dysfonctionnement ou de panne de fonctionnement, la mise à la terre fournit un trajet de moindre résistance pour le courant électrique afin de réduire le risque de choc électrique. Cet outil est équipé d'un cordon électrique muni d'un conducteur de mise à la terre de l'équipement et d'une fiche de mise à la terre. La fiche doit être branchée dans une prise appropriée qui est installée correctement et mise à la terre conformément à tous les codes et à toutes les ordonnances applicables.

Cette meuleuse est conçue pour utiliser un moteur de 3 450 tr/mn. Elle est câblée pour un fonctionnement sur courant alternatif de 110-120 volts, 60 Hz. Avant de connecter le cordon d'alimentation électrique du moteur à une prise de courant, assurez-vous que l'interrupteur est dans la position d'arrêt (« OFF ») et vérifiez que le courant électrique est conforme aux spécifications estampées sur la plaque signalétique de la meuleuse.

Raccordement à une source d'alimentation

Cette machine doit être mise à la terre pendant son emploi afin de protéger l'opérateur contre les risques de chocs électriques.

Branchez le cordon d'alimentation électrique dans une prise de courant de 110-120 V du type correctement mis à la terre protégée par un disjoncteur ou un fusible à temporisation double de 15 ampères.

Toutes les prises de courant ne sont pas obligatoirement mises à la terre correctement. Si vous n'êtes pas certain que votre prise de courant, telle qu'illustrée à la Fig. 1, est bien mise à la terre, demandez à un électricien professionnel de l'inspecter.

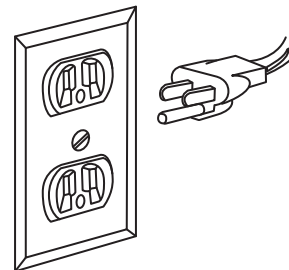
⚠ DANGER Pour éviter tout risque de choc électrique, ne touchez pas les broches en métal de la fiche lorsque vous installez la fiche dans la prise de courant ou lorsque vous l'en retirez.

⚠ DANGER L'absence de mise à la terre correcte de cet outil électrique peut causer une électrocution ou un choc électrique grave, en particulier en cas d'utilisation à proximité de canalisations en métal ou d'autres objets en métal. En cas de choc électrique, votre réaction pourrait causer un contact accidentel entre vos mains et l'outil.

⚠ AVERTISSEMENT Si le cordon d'alimentation est usé, coupé ou endommagé de quelque façon que ce soit, faites-le remplacer immédiatement pour éviter tout risque de choc électrique ou d'incendie.

Votre appareil est conçu pour une alimentation électrique de 120 volts ; il a des fiches qui ressemblent à celle de la Figure 1.

FIG. 1



Cet outil électrique est muni d'un cordon à trois conducteurs et d'une fiche mise à la terre agréés par Underwriters Laboratories et par l'Association Canadienne de Normalisation. Le conducteur de mise à la terre a une gaine verte et est attaché au bâti de l'outil à un bout et à la broche de mise à la terre de la fiche de raccordement à l'autre bout.

Si la prise de courant que vous avez l'intention d'utiliser pour cet outil électrique est du type à deux broches, IL NE FAUT PAS RETIRER LA BROCHE DE MISE À LA TERRE OU L'ALTÉRER DE QUELQUE FAÇON QUE CE SOIT. Demandez à un électricien professionnel de remplacer la prise de courant à DEUX trous par une prise de courant à TROIS trous mise à la terre correctement.

Une connexion incorrecte du conducteur de mise à la terre de l'équipement peut créer un risque de choc électrique. Le conducteur avec une isolation dont la surface extérieure est verte, avec ou sans bandes jaunes, est le conducteur prévu pour l'équipement. S'il s'avère nécessaire de réparer ou de remplacer le cordon électrique ou la fiche, ne connectez pas le conducteur de mise à la terre de l'équipement à une borne sous tension.

Consultez un électricien professionnel ou un technicien qualifié si les instructions de mise à la terre ne sont pas complètement comprises ou si vous n'êtes pas certain que l'outil est mis à la terre correctement.

Utilisez toujours un cordon de rallonge approprié. L'emploi de quelque cordon de rallonge que ce soit causera une certaine perte de puissance. Pour réduire cette perte au minimum possible et pour empêcher la surchauffe et le claquage du moteur, utilisez le tableau ci-dessous afin de déterminer le diamètre minimum des fils (A.W.G.) du cordon de rallonge. Utilisez seulement des cordons de rallonge à trois fils ayant des fiches du type de mise à la terre à trois broches et des prises de courant à trois trous compatibles avec la fiche de l'outil. Assurez-vous que votre cordon de rallonge est en bon état.

Longueur du cordon de rallonge	Diamètres des fils A.W.G.
0-25 pi (0-7,5 m)	18
26-50 pi (7,8-15 m)	16
51-100 pi (15,3-30 m)	16

« CONSERVEZ CES CONSIGNES »

Table des matières

Consignes générales de sécurité	15	Connaissance élémentaire de votre meuleuse.....	21
Consignes de sécurité additionnelles.....	16-17	Assemblage et réglages	22-24
Spécifications du moteur et spécifications électriques	18	Opérations de base avec la meuleuse	25-26
Table des matières	19	Entretien de votre meuleuse	27
Déballage et inspection du contenu	20		

Déballage et inspection du contenu

⚠ AVERTISSEMENT Pour réduire le risque de blessure, ne branchez jamais la fiche dans une prise de courant avant d'avoir terminé toutes les étapes de l'assemblage et avant d'avoir lu et compris tout le mode d'emploi.

La meuleuse d'établi modèle 3380 est expédiée au complet dans une seule boîte.

Déballage et inspection du contenu. Séparez toutes les « pièces en vrac » des matériaux d'emballage et comparez chaque élément à l'écriture correspondante dans le « Tableau des pièces en vrac » afin de vous assurer que tous les éléments sont présents avant de jeter de quelconques matériaux d'emballage.

⚠ AVERTISSEMENT Si des pièces manquent, ne tentez pas d'assembler la meuleuse, de brancher le cordon d'alimentation électrique ou de mettre l'interrupteur en marche avant de vous être procuré les pièces manquantes et de les avoir installées correctement.

Tableau des pièces en vrac

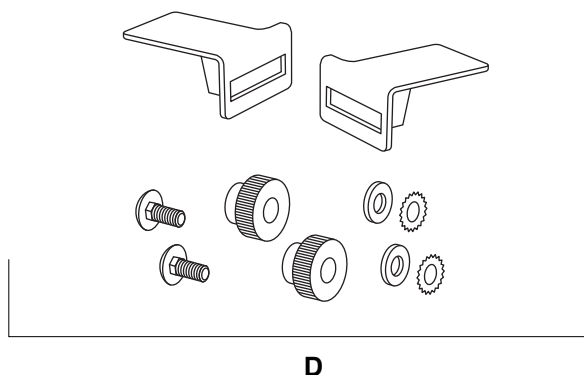
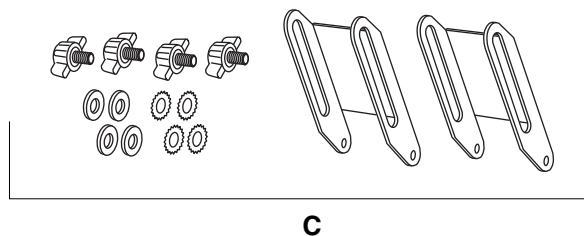
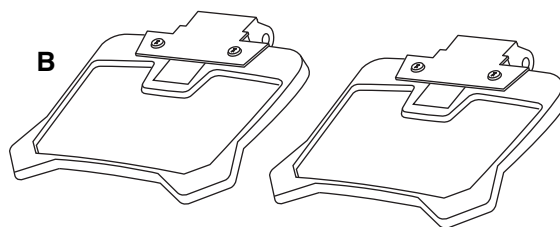
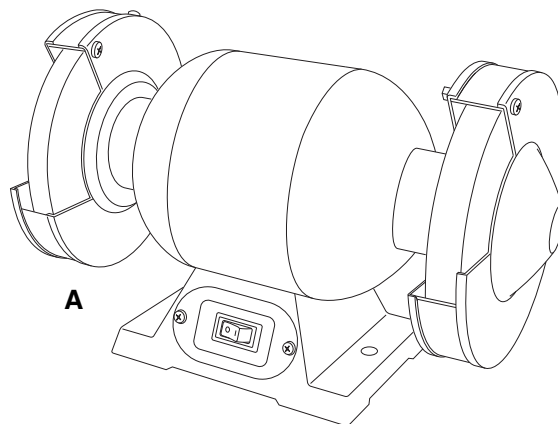
Article	Description	Qté
A	Ensemble de meuleuse	1
B	Écran de protection des yeux	2

Pièces en vrac dans le sac 1

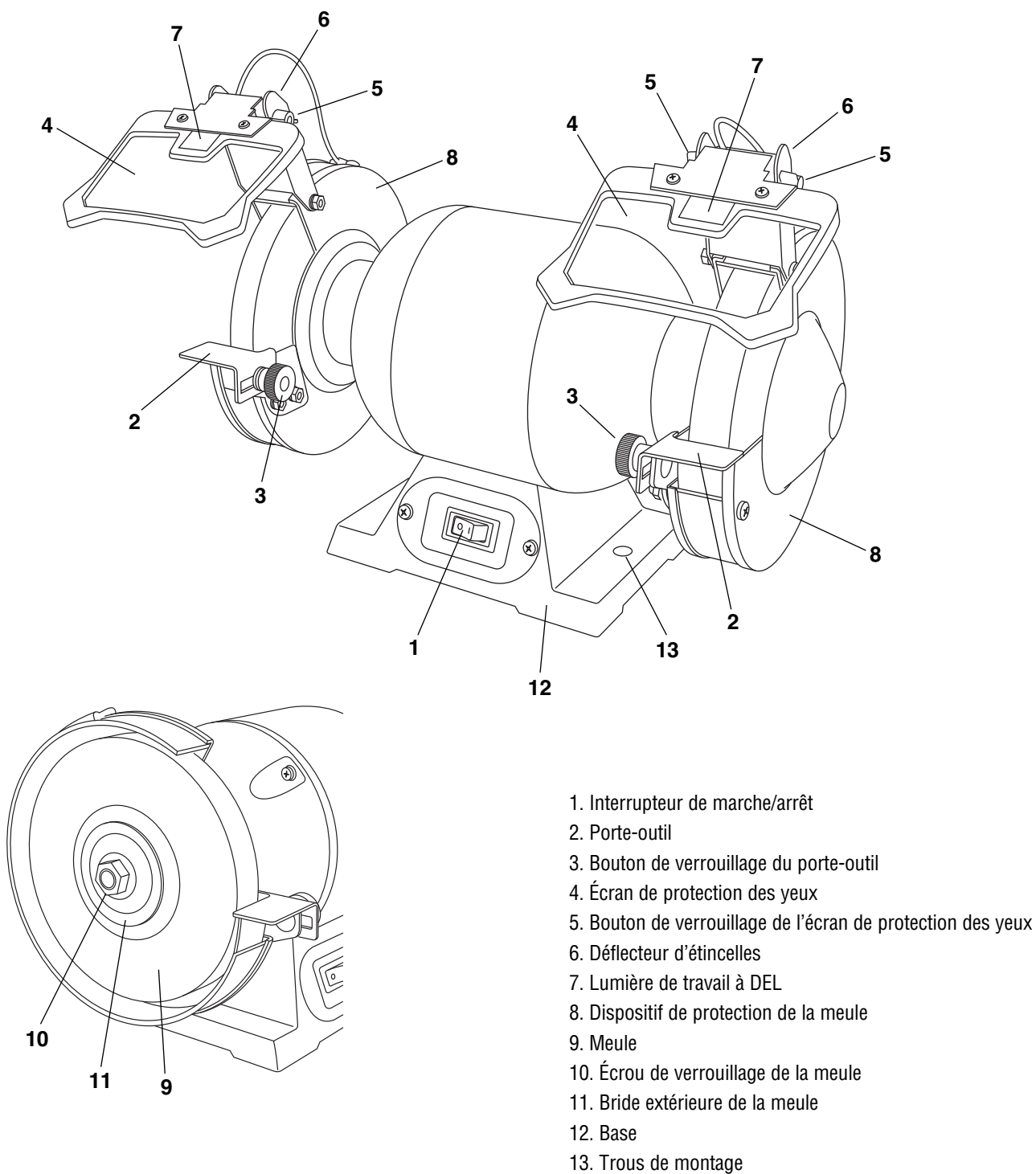
C	Défecteur d'étincelles	2
	Bouton de verrouillage	4
	Rondelle plate	4
	Rondelle de blocage	4

Pièces en vrac dans le sac 2

D	Porte-outil (gauche et droite)	2
	Bouton de verrouillage	2
	Rondelle plate	2
	Rondelle de blocage	2
	Boulon	2



Connaissance élémentaire de votre meuleuse d'établi



Assemblage et réglages

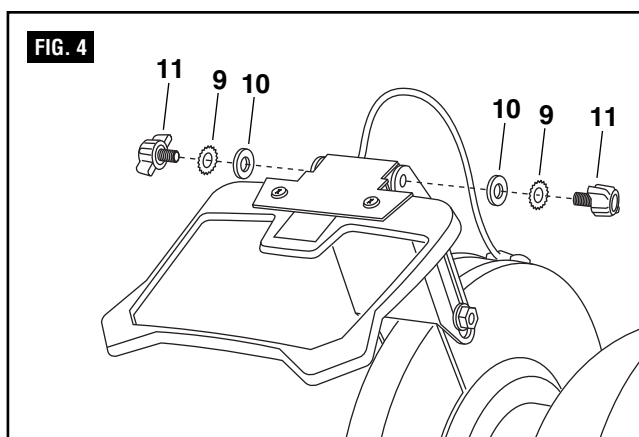
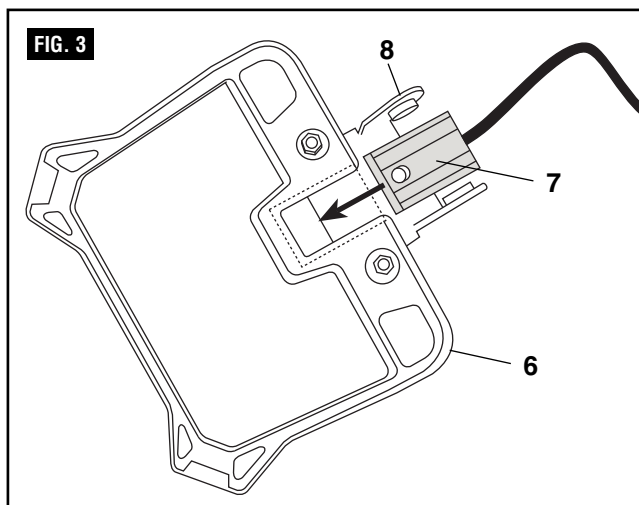
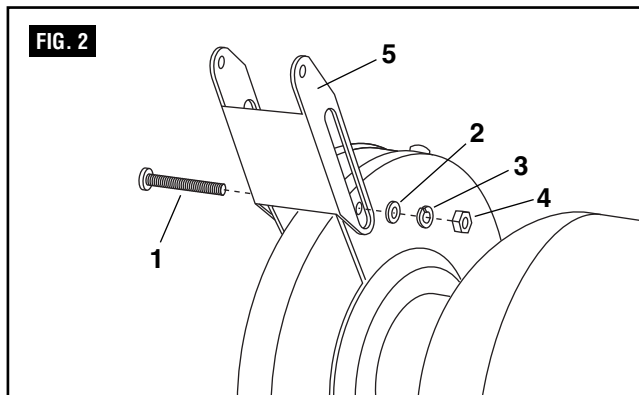
⚠ AVERTISSEMENT Pour réduire le risque de blessure, ne branchez jamais la fiche dans une prise de courant avant d'avoir terminé toutes les étapes de l'assemblage.

Installation et réglage des déflecteurs d'étincelles et des écrans de protection des yeux

IMPORTANT : avant d'installer les écrans de protection des yeux et les déflecteurs d'étincelles, assurez-vous que la meuleuse a été éteinte et que la fiche a été débranchée de la prise de courant.

Remarque : vérifiez toujours pour vous assurer que les écrans de protection des yeux sont réglés correctement et que les déflecteurs d'étincelles des écrans de protection des yeux sont ajustés correctement chaque fois que la meuleuse est utilisée. Les écrans de protection des yeux et les déflecteurs d'étincelles doivent être installés au-dessus de chaque meule.

1. Retirez le boulon (1,2,3,4) du haut du dispositif de protection de la meule comme illustré à la figure 2.
2. Positionnez le déflecteur d'étincelles (5) sur le dessus du dispositif de protection de la meule comme illustré à la figure 2.
3. Réinsérez le boulon (1) à travers le déflecteur d'étincelles et le dispositif de protection de la meule, puis réinsérez la rondelle (2), la rondelle de blocage (3) et l'écrou (4).
4. Serrez pour assujettir le déflecteur d'étincelles sur le dispositif de protection de la meule.
5. Tenez l'écran de protection des yeux (6) sens dessus dessous et insérez l'ensemble de lumière de travail (7) en le faisant glisser en place entre l'écran et le mécanisme de fixation du support de l'écran (8) comme illustré à la figure 3.
6. Positionnez l'écran de protection des yeux sur le mécanisme de fixation du déflecteur d'étincelles comme illustré à la figure 4.
7. Placez une rondelle de blocage (9) et une rondelle plate (10) sur chaque bouton de verrouillage de l'écran de protection des yeux (11), puis insérez-les à travers le mécanisme de fixation du déflecteur d'étincelles et enfillez-les dans l'écran de protection des yeux, puis tournez le bouton dans le sens des aiguilles d'une montre pour assujettir l'écran de protection des yeux sur le mécanisme de fixation du déflecteur d'étincelles.
8. Faites tourner la meule d'un tour complet à la main pour vous assurer que la meule peut tourner sans entrer en contact avec le mécanisme de fixation du déflecteur d'étincelles. Serrez fermement le bouton de retenue du mécanisme de fixation.
9. Répétez cette procédure pour l'autre côté.



Assemblage et réglages

Installation des porte-outils

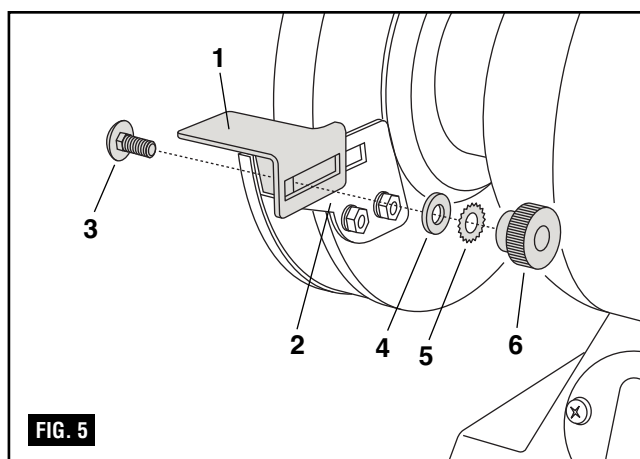
Les porte-outils sont nécessaires pour toutes les meuleuses à grande vitesse afin de faciliter l'opération de meulage.

⚠ AVERTISSEMENT Pour réduire le risque de blessure, N'utilisez jamais une meuleuse d'établi sur laquelle le porte-outil n'a pas été installé ou sur laquelle le porte-outil n'a pas été ajusté correctement.

Remarque : il y a un porte-outil pour le côté gauche et un autre pour le côté droit. Suivez les schémas pour vous assurer que chaque porte-outil a été installé du côté correct.

IMPORTANT : avant d'installer les porte-outils, assurez-vous que la meuleuse est à l'arrêt et que la fiche du cordon d'alimentation électrique a été débranchée de la prise de courant.

1. Maintenez le porte-outil **(1)** dans la position correcte contre le mécanisme de fixation du porte-outil **(2)**.
2. Insérez le boulon **(3)** à travers le mécanisme de fixation du porte-outil et le porte-outil lui-même, puis insérez une rondelle **(4)**, une rondelle de blocage **(5)** et le bouton de verrouillage **(6)**.
3. Serrez suffisamment le bouton de verrouillage pour soutenir le porte-outil, mais tout en vous assurant que le porte-outil peut toujours glisser vers l'intérieur et vers l'extérieur.
4. Faites glisser le porte-outil à 1,5 mm au maximum de la meule. Faites tourner la meule d'un tour complet à la main pour vous assurer que la meule n'entre pas en contact avec le porte-outil.
5. Serrez fermement le bouton de verrouillage pour maintenir l'ensemble en place.
6. Répétez la même procédure d'assemblage pour le second porte-outil.



Assemblage et réglages

Montage de la meuleuse d'établi sur un établi

Si la meuleuse d'établi doit toujours être utilisée au même endroit, il faut l'assujettir solidement à une surface de support ferme, comme un socle ou un établi, en utilisant les deux trous de montage (1), dont l'un est illustré à la figure 6.

Lors du montage de la meuleuse sur un établi, des trous doivent être percés à travers la surface de support de l'établi en utilisant les dimensions illustrées (Fig. 6).

1. Un boulon doit être inséré dans chacun des deux trous de montage et la meuleuse doit être assujettie par des écrous hexagonaux de 5/16 po (non inclus). La longueur des vis doit dépasser de 1 1/2 po (3,8 cm) l'épaisseur du dessus de l'établi.
2. Localisez et marquez l'endroit où la meuleuse doit être montée.
3. Percez deux (2) trous de 7/16 po de diamètre à travers l'établi.
4. Placez la meuleuse d'établi sur l'établi en alignant les trous de la base avec les trous percés dans l'établi.
5. Insérez deux (2) vis de 5/16 po et serrez.

Montage sur du contreplaqué

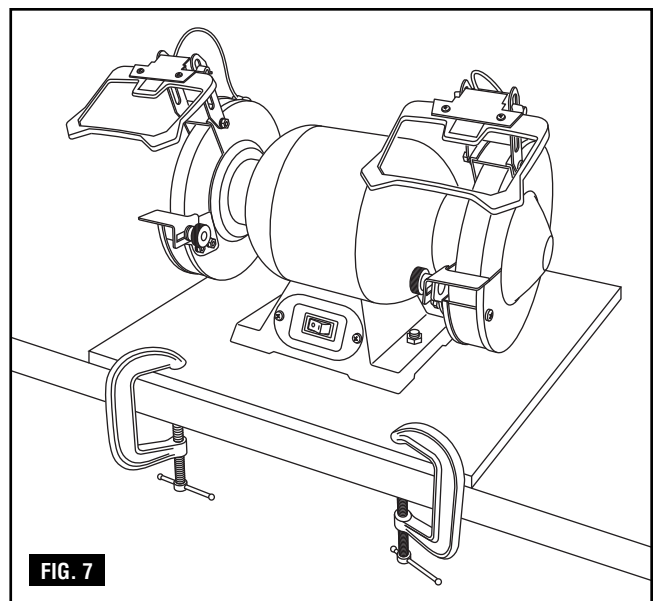
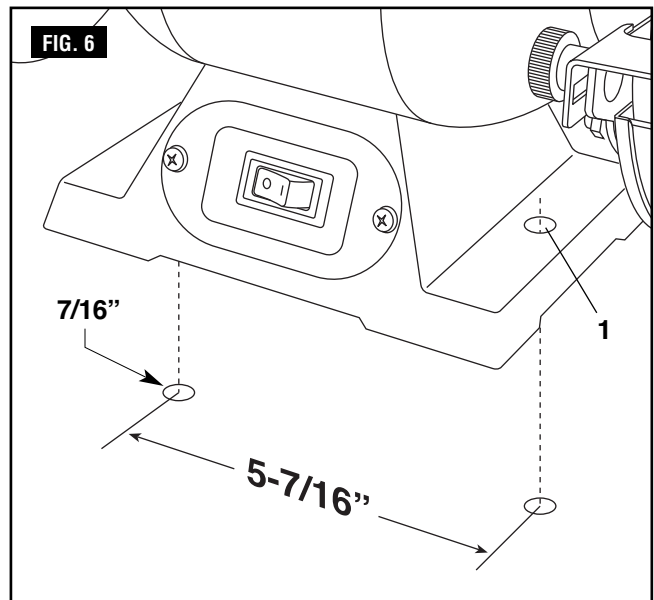
Une autre méthode d'assujettissement de votre meuleuse d'établi consiste à attacher la base de la meuleuse à une planche de montage de 12 po x 18 po (30,5 cm x 45,7 cm) pour empêcher la meuleuse de basculer pendant l'emploi. Il est recommandé d'utiliser du contreplaqué de bonne qualité d'une épaisseur minimum de 3/4 po (Fig. 7).

1. Suivez les instructions fournies pour le montage sur un établi en substituant une planche de contreplaqué de 12 po x 18 po (30,5 cm x 45,7 cm) au minimum et en utilisant des vis à tête plate de 5/16 po, des rondelles de blocage et des écrous hexagonaux (non inclus). La longueur des vis doit dépasser de 1 1/2 po (3,8 cm) l'épaisseur de la planche de montage.

REMARQUE : pour assurer la stabilité appropriée, les trous doivent être fraisés de façon que les têtes des vis soient au ras de la surface inférieure de la planche de support.

2. Assujettissez solidement la planche à l'établi en utilisant au moins deux brides « C » (Fig. 7).

La surface de support sur laquelle il est prévu de monter la meuleuse doit être examinée attentivement après le montage pour assurer qu'aucun mouvement ne se produira pendant l'emploi. Si vous constatez que l'établi ou le socle se balance ou bouge d'une quelconque autre manière, assujettissez l'établi ou le socle avant de vous servir de la meuleuse d'établi.



Fonctionnement

⚠ AVERTISSEMENT Risque de blessure en cas de mise en marche accidentelle. Ne pas utiliser dans un endroit où des enfants pourraient être présents.

IMPORTANT : avant de vous servir de la meuleuse, assurez-vous que les écrans de protection des yeux, les déflecteurs d'étincelles et les porte-outils sont installés et ajustés correctement, et que vous portez les équipements de protection nécessaires, notamment des appareils de protection des yeux, des oreilles et du nez.

1. Faites tourner la meule à la main pour vous assurer qu'elle n'entre pas en contact avec le dispositif de protection de la meule, les écrans de protection des yeux, les déflecteurs d'étincelles ou les porte-outils, et qu'elle tourne librement.
2. Tenez-vous à côté de la meuleuse et mettez l'interrupteur dans la position de marche, puis attendez que le moteur atteigne sa pleine vitesse.

Mise en marche de la meuleuse : appuyez sur le côté droit de l'interrupteur. Pour éteindre la meuleuse, appuyez sur le côté gauche de l'interrupteur. Les positions « ON » (Marche) et « OFF » (Arrêt) sont estampées sur la plaque de l'interrupteur (Fig. 8). Si la meuleuse ne se met pas immédiatement en marche, mettez l'interrupteur de la meuleuse sur « OFF », débranchez le cordon d'alimentation électrique et vérifiez la tension au niveau de la prise de courant.

⚠ AVERTISSEMENT Pour réduire le risque de blessure, Les porte-outils, les déflecteurs d'étincelles et les autres composants ne doivent pas faire l'objet de réglages pendant que les meules tournent.

3. Supportez l'ouvrage sur le porte-outil et faites avancer progressivement l'ouvrage vers la meule. Utilisez des tenailles pour tenir les ouvrages de faibles dimensions.

Remarque : traversez l'ouvrage sur toute la largeur de la meule pour prolonger sa surface plate.

4. Si l'opération de meulage cause une réduction notable de la vitesse du moteur, retirez l'ouvrage de la meule, laissez le moteur retourner à sa vitesse normale et recommencez l'opération de meulage, mais en appliquant moins de force.

⚠ AVERTISSEMENT Pour réduire le risque de blessure, N'utilisez que la face avant de la meule – pas ses côtés. Notez que l'ouvrage peut devenir très chaud. Il peut être nécessaire de refroidir un ouvrage en le trempant dans de l'eau ou dans un fluide de refroidissement. N'appliquez pas d'eau ou de fluide de refroidissement directement sur la meule.

Lumière de travail à DEL

Votre outil est équipé de lumières de travail à DEL pour assurer une meilleure visibilité dans la zone de travail pendant l'opération de meulage. La lumière s'allume automatiquement lorsque l'outil est mis en marche, et elle reste allumée jusqu'à ce que l'outil soit mis hors tension.

Préparation et dressage des meules

Le dressage d'une meule permet de nettoyer et mettre de niveau la surface avant afin d'augmenter l'efficacité du fonctionnement et d'empêcher les vibrations.

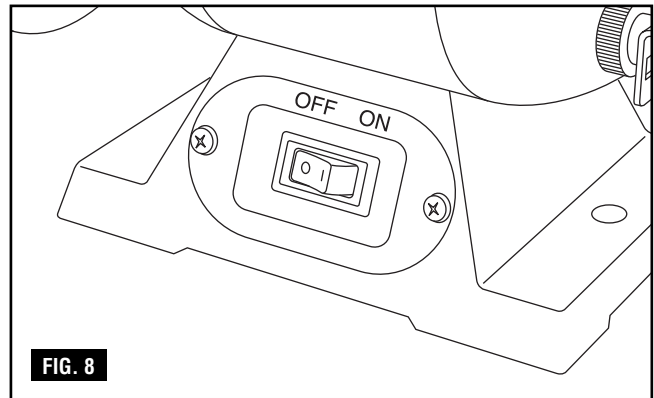


FIG. 8

1. Le dressage d'une roue nécessite l'emploi d'un outil de dressage de meules qui n'est pas fourni avec la meuleuse. Suivez les instructions du fabricant de l'outil de dressage de meules.
2. Ajustez le porte-outil pour permettre à la partie avant de l'outil de dressage de meules de tenir entre le porte-outil et la meule.
3. Mettez le moteur en marche et déplacez l'outil de dressage de meules à travers la partie avant de la meule un nombre suffisant de fois jusqu'à ce que la surface soit complètement de niveau. Il n'est pas nécessaire d'appliquer une force excessive pour dresser la meule en une seule passe de l'outil de dressage de meules.
4. Ajustez le porte-outil pour qu'il ne soit pas à plus de 1,5 mm de la meule.
5. Ajustez le déflecteur d'étincelles pour assurer que l'écart entre le déflecteur et la meule est inférieur à 6 mm.

Réglages de la meuleuse

Certains réglages sont nécessaires pendant la vie de la meuleuse pour préserver un environnement de travail sans dangers.

Veuillez effectuer les réglages suivants :

- Ajustez toujours les écrans de protection des yeux sur l'angle le plus confortable et le plus efficace en fonction de la tâche que vous vous apprêtez à effectuer.
- Au fur et à mesure que les meules s'usent, il sera nécessaire de procéder à des réglages du déflecteur d'étincelles pour assurer que l'écart entre le déflecteur d'étincelles et la meule ne dépasse pas 6 mm.
- Au fur et à mesure que les meules s'usent, il sera nécessaire de procéder à des réglages des porte-outils afin qu'il n'y ait jamais un écart de plus de 1,5 mm entre la meule et le bord du porte-outil.

Fonctionnement

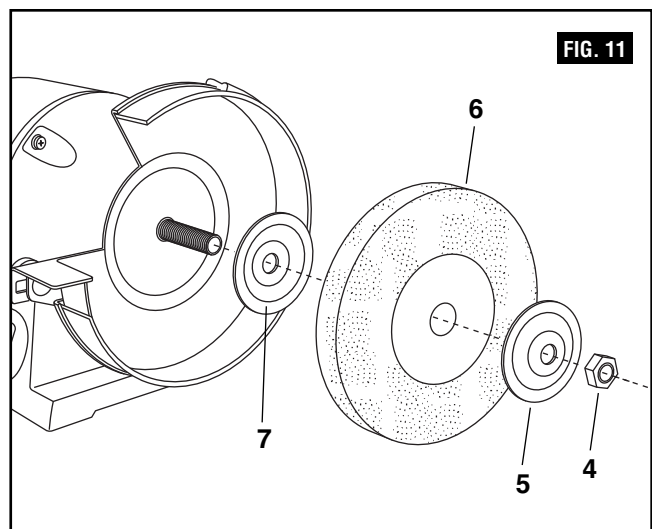
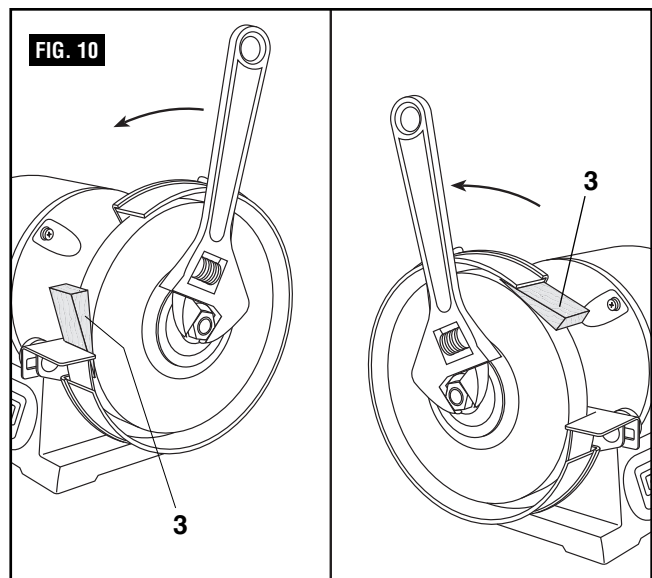
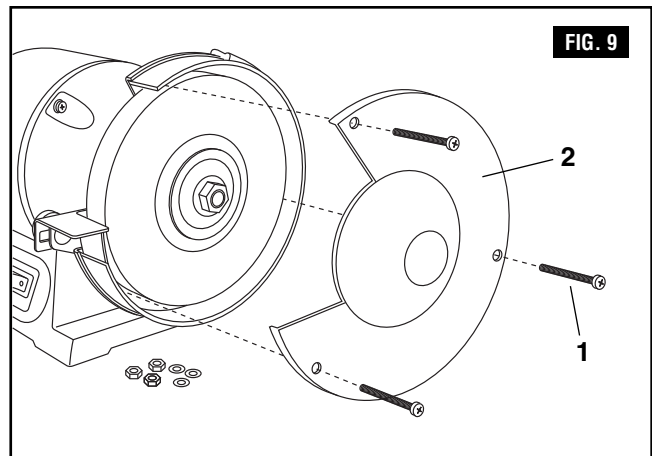
Changement d'une meule

IMPORTANT : avant de changer une meule, assurez-vous que la meuleuse est à l'arrêt et que la fiche du cordon d'alimentation électrique a été débranchée de la prise de courant. Assurez-vous que la meule de remplacement a une vitesse nominale de 3 500 tr/mn au minimum.

1. Desserrez et retirez les 3 boulons (1) sur le dispositif de protection de la meule (2), comme illustré à la figure 9.
2. Retirez le dispositif de protection de la meule.
3. Pour empêcher la meule de tourner, placez une cale en bois (3) entre la meule et le porte-outil (Figure 10).
4. Retirez l'écrou de verrouillage (4) (voir la remarque ci-dessous pour le sens de rotation correct), la bride extérieure (5) et la meule (6).

Remarque : la meule du côté gauche de la meuleuse d'établi a un filetage à gauche et est vissée dans le sens des aiguilles d'une montre. La meule du côté droit de la meuleuse d'établi a un filetage à droite et est vissée dans le sens contraire des aiguilles d'une montre.

5. Placez la meule de remplacement (6) et la bride extérieure (5) autour de l'arbre en vous assurant qu'il y a un papier absorbant entre la meule et les brides de chaque côté de la meule. Assurez-vous que la meule glisse sur la broche (mais sans jeu excessif) (Figure 11).
6. Remettez l'écrou de fixation de la meule (4) en place et serrez. (Voir la remarque ci-dessus concernant le sens de rotation de l'écrou.)
7. Remettez le dispositif de protection de la meule en place.
8. Réinsérez les 3 boulons (1), les rondelles, les rondelles de blocage et les écrous, et serrez le dispositif de protection de la meule pour le remettre à sa place.
9. Rajustez le porte-outil, le déflecteur d'étincelles et l'écran de protection des yeux.
10. Faites tourner la meule à la main pour vous assurer qu'elle tourne librement et effectuez les réglages nécessaires le cas échéant.
11. Branchez le cordon d'alimentation électrique de la meuleuse, portez vos lunettes étanches, mettez-vous sur le côté et faites fonctionner la meuleuse à sa vitesse normale pendant quelques minutes.



Entretien de votre meuleuse d'établi

Entretien

⚠ AVERTISSEMENT Pour réduire le risque de blessure, mettez l'interrupteur à l'arrêt (« OFF ») et débranchez la fiche de la prise de courant avant de réaliser une opération d'entretien ou la lubrification de votre meuleuse.

GÉNÉRALITÉS

Utilisez fréquemment une soufflante pour souffler la poussière qui peut s'accumuler à l'intérieur du moteur.

L'application occasionnelle d'une couche de cire sur la table de travail permettra au morceau de bois en train d'être coupé de glisser en douceur le long de la surface de travail.

⚠ MISE EN GARDE Certains produits de nettoyage et solvants endommagent les pièces en plastique, notamment : l'essence, le tétrachlorure de carbone, les solvants de nettoyage chlorés, l'ammoniac et les détergents domestiques qui contiennent de l'ammoniac. Évitez d'utiliser de tels produits de nettoyage et des produits similaires pour réduire au minimum la probabilité de dommage.

⚠ AVERTISSEMENT Pour éviter tout risque de choc électrique ou d'incendie, remplacez immédiatement tout cordon d'alimentation électrique usé, coupé ou endommagé de quelque façon que ce soit.

⚠ AVERTISSEMENT Il ne faut demander qu'à des réparateurs ayant reçu la formation nécessaire d'effectuer des réparations, qu'elles soient électriques ou mécaniques. Contactez le Centre de service usine Skil, un Centre de service après-vente agréé ou un autre service de réparation qualifié. N'utilisez que des pièces de rechange Skil ; l'emploi de pièces différentes risquerait d'être dangereux.

Lubrification

Tous les ROULEMENTS À BILLES sont graissés à l'usine. Ils ne nécessitent pas de lubrification additionnelle.

Accessoires

N'utilisez que les accessoires recommandés. Suivez les instructions qui accompagnent les accessoires. L'utilisation d'accessoires incorrects pourrait être dangereuse.

Normas generales de seguridad



ADVERTENCIA

LEA TODAS LAS INSTRUCCIONES. Si no se siguen todas las normas de seguridad que aparecen a continuación y otras precauciones básicas de seguridad, el resultado podría ser lesiones corporales graves.

Área de trabajo

MANTENGA ALEJADOS A LOS NIÑOS

No deje que los visitantes entren en contacto con la herramienta ni con el cordón de extensión. Se debe mantener a todos los visitantes a una distancia segura del área de trabajo.

MANTENGA LIMPIAS LAS ÁREAS DE TRABAJO

Las áreas y las mesas desordenadas invitan a que se produzcan accidentes.

HAGA EL TALLER A PRUEBA DE NIÑOS

Utilice candados, interruptores maestros o retire las llaves de arranque.

EVITE LOS AMBIENTES PELIGROSOS

No utilice herramientas eléctricas en lugares húmedos o mojados. Mantenga bien iluminada el área. No exponga las herramientas eléctricas a la lluvia. No use la herramienta en presencia de líquidos o gases inflamables.

Seguridad personal

CONOZCA SU HERRAMIENTA ELÉCTRICA

Lea y entienda el manual del usuario y las etiquetas colocadas en la herramienta. Aprenda la aplicación y las limitaciones de la herramienta, así como los peligros potenciales específicos que son propios de esta herramienta.

NO INTENTE ALCANZAR DEMASIADO LEJOS

Mantenga un apoyo de los pies y un equilibrio apropiados en todo momento.

MANTÉNGASE ALERTA

Fíjese en lo que está haciendo. Use el sentido común. No utilice la herramienta cuando esté cansado. No la utilice cuando esté tomando medicamentos o mientras esté consumiendo alcohol u otras drogas.

VÍSTASE ADECUADAMENTE

No use ropa holgada ni guantes holgados, corbatas, anillos, pulseras u otras joyas que se podrían enganchar en las piezas móviles. Se recomienda usar calzado antideslizante. Use una cubierta protectora del pelo para sujetar el pelo largo.

USE SIEMPRE ANTEOJOS DE SEGURIDAD

Use también una careta o una máscara antipolvo si la operación de corte genera polvo, y tapones para los oídos durante los períodos prolongados de utilización de la herramienta. Los anteojos de uso diario sólo tienen lentes resistentes a los golpes. NO son anteojos de seguridad.

PROTÉJASE CONTRA LAS DESCARGAS ELÉCTRICAS

Evite el contacto del cuerpo con las superficies conectadas a tierra. Por ejemplo: tuberías, radiadores, estufas de cocinar y refrigeradores.

DESCONECTE LAS HERRAMIENTAS DE LA FUENTE DE ALIMENTACIÓN

Cuando no las esté utilizando, antes de hacerles servicio de ajustes y reparaciones y al cambiar hojas, brocas, cortadores, etc.

MANTENGA LOS PROTECTORES COLOCADOS EN SU SITIO

En buenas condiciones de funcionamiento y ajustados y alineados correctamente.

RETIRE LAS LLAVES DE AJUSTE Y DE TUERCA

Cuando no se esté utilizando la herramienta, antes de hacerle servicio de ajustes y reparaciones y al cambiar hojas, brocas, cortadores, etc.

REDUZCA EL RIESGO DE ARRANQUE ACCIDENTAL

Asegúrese de que el interruptor esté en la posición de APAGADO antes de enchufar la herramienta.

CONECTE A TIERRA TODAS LAS HERRAMIENTAS

Esta herramienta está equipada con un cordón eléctrico de tres conductores aprobado y un enchufe de tipo de conexión a tierra con tres terminales que encaja en el tomacorriente de tipo de conexión a tierra apropiado. El conductor verde del cordón eléctrico es el cable de conexión a tierra. No conecte nunca el cable verde a un terminal con corriente.

NO SE SUBA NUNCA A LA HERRAMIENTA NI A SU BASE DE SOPORTE

Se podrían producir lesiones graves si la herramienta se vuelca o si se entra en contacto accidentalmente con la herramienta de corte. No almacene materiales sobre la herramienta ni cerca de ella de manera que sea necesario subirse a la herramienta o a su base de soporte para alcanzar dichos materiales.

COMPRUEBE LAS PIEZAS DAÑADAS

Si un protector está dañado u otra pieza está dañada, antes de usar otra vez la herramienta, se debe comprobar minuciosamente dicho protector o dicha pieza para asegurarse de que funcione adecuadamente y realice la función para la que se diseñó. Compruebe la alineación de las piezas móviles, el montaje y todas las demás situaciones que puedan afectar su funcionamiento. Si un protector está dañado u otra pieza está dañada, se debe reemplazar adecuadamente.



ADVERTENCIA

Todas las reparaciones, eléctricas o mecánicas, deben ser intentadas solamente por personal de reparación capacitado. Póngase en contacto con el Centro de Servicio de Fábrica Skil más cercano, la Estación de Servicio Skil Autorizada más cercana u otro servicio de reparaciones competente.



ADVERTENCIA

Utilice únicamente piezas de repuesto Skil; cualquier otra pieza podría crear un peligro.



ADVERTENCIA

El uso de cualquier otro accesorio no especificado en el catálogo Skil actual podría crear un peligro.

“GUARDE ESTAS INSTRUCCIONES”

Normas de seguridad adicionales

Uso de la herramienta

NO FUERCE LA HERRAMIENTA

La herramienta hará el trabajo mejor y con más seguridad a la velocidad para la cual fue diseñada.

USE LA HERRAMIENTA ADECUADA

No fuerce una herramienta pequeña o un aditamento pequeño a hacer el trabajo de una herramienta de servicio pesado. No use la herramienta para un propósito para el que no está diseñada. Por ejemplo, no use una sierra circular para cortar ramas o troncos de árbol.

SUJETE FIRMEMENTE LA PIEZA DE TRABAJO

Use abrazaderas o una prensa de tornillo para sujetar la pieza de trabajo. Es más seguro que usar la mano y deja libres las dos manos para utilizar la herramienta.

NO DEJE NUNCA DESATENDIDA UNA HERRAMIENTA QUE ESTÉ EN MARCHA

Apague la herramienta. No deje la herramienta hasta que se haya detenido por completo.

Cuidado de la herramienta

NO ALTERE NI USE MAL LA HERRAMIENTA

Estas herramientas están construidas con precisión. Cualquier alteración o modificación no especificada constituye un uso incorrecto y podría causar situaciones peligrosas.

EVITE LAS ÁREAS GASEOSAS

No utilice herramientas eléctricas en una atmósfera gaseosa o explosiva. Normalmente, los motores de estas herramientas generan chispas y podrían ocasionar una situación peligrosa.

MANTENGA LAS HERRAMIENTAS CON CUIDADO

Mantenga las herramientas afiladas y limpias para que brinden un rendimiento mejor y más seguro. Siga las instrucciones de lubricación y cambio de accesorios. Inspeccione periódicamente los cordones eléctricos de las herramientas y, si están dañados, haga que un centro de servicio autorizado los repare. Inspeccione periódicamente los cordones de extensión y reemplácelos si están dañados. Mantenga los mangos secos, limpios y libres de aceite y grasa.

⚠ ADVERTENCIA Antes de conectar la herramienta a una fuente de alimentación (receptáculo, tomacorriente, etc.), asegúrese de que la tensión suministrada sea la misma que la que se especifica en la placa de identificación de la herramienta. Una fuente de alimentación con una tensión superior a la especificada para la herramienta puede causar lesiones graves al usuario, así como daños a la herramienta. En caso de duda, **NO ENCHUFE LA HERRAMIENTA**. La utilización de una fuente de alimentación con una tensión inferior a la capacidad nominal especificada en la placa de identificación es perjudicial para el motor.

⚠ ADVERTENCIA Por su propia seguridad, no utilice la amoladora hasta que esté completamente ensamblada e instalada de acuerdo con las instrucciones... y hasta que haya leído y entendido lo siguiente:

1. Normas de seguridad	28-30
2. Especificaciones del motor	31
3. Familiarización con la amoladora	34
4. Ensamblaje y ajustes	35-37
5. Utilización	38-39
6. Mantenimiento de la amoladora	40

7. ESTABILIDAD DE LA AMOLADORA DE BANCO

Si hay cualquier tendencia de la amoladora de banco a inclinarse o moverse durante cualquier uso, empénela al tablero del banco de trabajo o a un pedazo de madera contrachapada de 3/4 de pulgada para exteriores que sea lo suficientemente grande como para estabilizar la amoladora. Emperne la madera contrachapada al lado inferior de la base, de manera que se extienda más allá de los lados de la base. **NO UTILICE PANELES DE MADERA PRENSADA**. Se pueden romper inesperadamente. Si la pieza de trabajo es demasiado grande como para soportarla fácilmente con una mano, proporcione un soporte auxiliar.

⚠ ADVERTENCIA Riesgo de lesiones por causa de un arranque accidental. No utilice la amoladora en un área en la que pueda haber niños.

8. UBICACIÓN

Utilice la amoladora en un lugar bien iluminado y sobre una superficie nivelada, limpia y lo suficientemente lisa como para reducir el riesgo de tropezos y caídas. Utilicela en un lugar donde ni el operador ni el observador casual sean forzados a situarse en línea con un retroceso potencial.

9. PROTECCIÓN: Ojos, manos, oídos y cuerpo.

⚠ ADVERTENCIA PARA EVITAR SER ARRASTRADO HACIA LA HERRAMIENTA QUE GIRA:

NO LLEVE: Guantes que queden holgados
Corbata
Ropa holgada
Joyas

**HAGA LO SIGUIENTE: SUJÉTESE EL PELO LARGO DETRÁS DE LA CABEZA
SÚBASE LAS MANGAS LARGAS POR ENCIMA DE LOS CODOS**

a. Si cualquier pieza de la amoladora falta, funciona incorrectamente, se ha dañado o se ha roto... como por ejemplo el interruptor del motor u otro control de utilización, un dispositivo de seguridad o el cable de alimentación... detenga la operación inmediatamente, hasta que la pieza específica se haya reparado o reemplazado apropiadamente.

b. Si usted no está completamente familiarizado con la utilización de una amoladora, consulte a su instructor, su supervisor u otra persona calificada.

Normas de seguridad adicionales

c. Utilice únicamente ruedas de amolar que tengan un diámetro interior exactamente igual al diámetro del eje portaherramienta (el eje) de la amoladora. La herramienta está equipada con un eje portaherramienta de 1/2 pulgada. Nunca trabaje a máquina una rueda de amolar de dimensiones insuficientes con el fin de que se acople a un eje portaherramienta.

d. Examine las ruedas de amolar para comprobar si tienen grietas u otros daños antes de utilizar la amoladora. Reemplace inmediatamente las ruedas de amolar agrietadas o dañadas, o que vibren.

e. Asegúrese de que se utilicen las pestañas de la rueda de amolar y los secantes (los discos de papel ubicados en los costados de la rueda de amolar) para montar las ruedas de amolar en el eje de la amoladora. Utilice únicamente las pestañas de rueda de amolar suministradas con la amoladora. El uso de otras pestañas puede causar daños o rotura de la rueda de amolar y causar lesiones al operador.

f. No utilice nunca la amoladora cerca de vapores o líquidos inflamables. Las chispas generadas por la rueda de amolar o el motor podrían incendiar el material inflamable.

g. No apriete excesivamente las tuercas de la rueda de amolar.

h. Utilice siempre todos los protectores de las ruedas de amolar y los protectores de los ojos, asegurándose de que estén ajustados y sujetos apropiadamente. Mantenga los protectores antichispas cerca de la rueda de amolar y reajústelos hacia dentro a medida que la rueda de amolar se desgaste. Utilice siempre protectores y cubiertas de rueda de amolar cuando emplee un cepillo de alambre, un disco pulidor o una rueda de amolar estándar.

i. Utilice siempre ruedas de amolar que tengan la capacidad nominal para utilizarse de manera segura en esta amoladora. No utilice nunca una rueda de amolar que tenga una capacidad nominal inferior a 3500 R.P.M.

j. Pare siempre la amoladora antes de hacer cualquier ajuste.

k. No mueva la amoladora hasta que se haya detenido por completo.

l. No fuerce la pieza de trabajo contra la rueda de amolar. Una presión excesiva puede dañar o romper la rueda de amolar, causando lesiones al operador o a las personas que se encuentren presentes.

m. Cuando ENCIENDA la amoladora, sitúese a un lado de la rueda de amolar, deje que la amoladora alcance toda su velocidad y utilícela durante un minuto completo antes de aplicar una pieza de trabajo a la rueda de amolar.

n. No amuele nunca en el costado de la rueda de amolar. Amuele siempre solamente en la cara de la rueda de amolar.

o. Reacondicione solamente la cara de la rueda de amolar. Si reacondiciona el costado de la rueda, podría dejarla demasiado delgada como para poder utilizarla de manera segura.

p. No aplique nunca refrigerante directamente a la rueda de amolar. El refrigerante puede debilitar la fuerza de adhesión de la rueda de amolar y hacer que falle.

q. Las operaciones de amolado generan CALOR. No toque nunca la pieza de trabajo hasta que esté seguro de que se haya enfriado suficientemente.

10. OBSERVE Y SIGA LAS ADVERTENCIAS E INSTRUCCIONES DE SEGURIDAD QUE APARECEN EN LA AMOLADORA:

SKIL **3380**

6" (152 mm) Bench Grinder
120V~ 60Hz 2.1A
nº 3450/min F012338000
Robert Bosch Tool Corp., Mount Prospect, IL Made in China

ADVERTENCIA Para su propia seguridad: Lea y entienda el manual de instrucciones antes de utilizar la amoladora. ▲ Use lentes de seguridad o anteojos de seguridad. ▲ Monte la amoladora en una superficie de trabajo antes de utilizarla. ▲ Use ruedas de 6 pulgadas (15,2 cm) de diámetro y accesorios con una capacidad nominal de 3500 rpm como mínimo. ▲ No use guantes ni ropa que queden holgados. Sujétese el pelo largo detrás de la cabeza. ▲ No use ruedas agrietadas o astilladas. ▲ Utilice siempre los protectores de rueda, los apoyos para la herramienta y los protectores de los ojos. ▲ Antes de comenzar, ajuste adecuadamente los apoyos para la herramienta y los protectores de los ojos. ▲ No utilice la herramienta cerca de materiales inflamables. ▲ Desenchufe la amoladora antes de hacer cambios de rueda, ajustes o reparaciones. ▲ Entré suficientemente la pieza de trabajo antes de tocarla. ▲ No exponga la herramienta a la lluvia ni la use en lugares húmedos. ▲ Riesgo de lesiones por causa de un arranque accidental. ▲ No utilice la amoladora en un área en la que pueda haber niños.

11. PIENSE EN LA SEGURIDAD

LA SEGURIDAD ES UNA COMBINACIÓN DE SENTIDO COMÚN POR PARTE DEL OPERADOR Y DE QUE ÉSTE SE MANTENGA ALERTA EN TODO MOMENTO CUANDO SE ESTÉ UTILIZANDO LA AMOLADORA.

No deje que la familiaridad (adquirida con el uso frecuente de la amoladora) se vuelva algo común. Recuerde siempre que un descuido de una fracción de segundo es suficiente para causar lesiones graves.



La utilización de cualquier herramienta eléctrica puede hacer que se lancen objetos extraños hacia los ojos, lo cual puede causar daños oculares graves. Use siempre anteojos de seguridad que cumplan con la norma ANSI Z87.1 antes de comenzar a utilizar la herramienta eléctrica.

Ciertos tipos de polvo generados por las operaciones de lijado, aserrado, amolado y taladrado con herramientas eléctricas, así como por otras actividades de construcción, contienen sustancias químicas que se sabe que causan cáncer, defectos de nacimiento y otros daños al sistema reproductor. Algunos ejemplos de estas sustancias químicas son:

- Plomo procedente de pinturas a base de plomo,
- Sílice cristalina procedente de ladrillos y cemento y otros productos de mampostería, y
- Arsénico y cromo procedentes de madera de construcción tratada químicamente.

Su riesgo debido a estas exposiciones varía, dependiendo de la frecuencia con la que haga este tipo de trabajo. Para reducir su exposición a estas sustancias químicas: trabaje en un lugar bien ventilado y trabaje con equipo de seguridad aprobado, como por ejemplo máscaras antipolvo que estén diseñadas especialmente para detener por filtración las partículas microscópicas.

Especificaciones del motor y requisitos eléctricos

Especificaciones generales

Tensión nominal120 V, 60 Hz
Amperaje nominal2.1 A
Velocidad sin cargaN₀ 3,450/min

Especificaciones del motor

En caso de mal funcionamiento o avería, la conexión a tierra proporciona un camino de resistencia mínima para la corriente eléctrica, con el fin de reducir el riesgo de descargas eléctricas. Esta herramienta está equipada con un cordón eléctrico que tiene un conductor de conexión a tierra del equipo y un enchufe de conexión a tierra. El enchufe se debe introducir en un tomacorriente coincidente que esté instalado y conectado a tierra adecuadamente, de acuerdo con todos los códigos y ordenanzas locales.

Esta amoladora está diseñada para utilizar un motor de 3450 RPM. Está cableada para funcionar con corriente alterna de 110-120 V, 60 Hz. Antes de conectar el cordón eléctrico del motor a la fuente de alimentación, asegúrese de que el interruptor esté en la posición de APAGADO y asegúrese de que la corriente eléctrica tenga las mismas características que las especificadas en la placa de identificación de la amoladora.

Conexión a una fuente de alimentación

Esta máquina debe estar conectada a tierra mientras se esté utilizando, para proteger al operador contra las descargas eléctricas.

Enchufe el cable de alimentación en un tomacorriente de tipo conectado a tierra apropiadamente de 110-120 V, protegido por un fusible o cortacircuitos de acción retardada con elemento dual de 15 A.

No todos los tomacorrientes están conectados a tierra apropiadamente. Si no está seguro si su tomacorriente, tal y como se muestra en la Fig. 1, está conectado a tierra apropiadamente, haga que un electricista calificado lo compruebe.

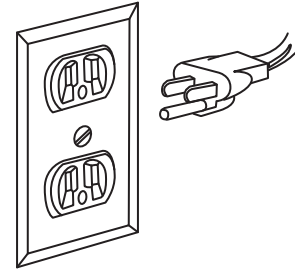
⚠ PELIGRO Para evitar las descargas eléctricas, no toque los terminales metálicos del enchufe cuando inserte el enchufe en el tomacorriente o lo saque del mismo.

⚠ PELIGRO Si esta herramienta eléctrica no se conecta apropiadamente a tierra, el resultado puede ser electrocución o descargas eléctricas fuertes, especialmente cuando se utilice cerca de plomería metálica y otros objetos metálicos. Si recibe una descarga eléctrica, su reacción podría hacer que las manos golpeen la herramienta.

⚠ ADVERTENCIA Si el cable de alimentación está desgastado, cortado o dañado de alguna manera, haga que lo reemplacen inmediatamente para evitar el peligro de descargas eléctricas o incendio.

Esta unidad está diseñada para utilizarse con 120 V; tiene un enchufe que se parece al que se muestra en la Figura 1.

FIG. 1



Esta herramienta eléctrica está equipada con un cordón eléctrico de tres conductores y un enchufe de tipo de conexión a tierra aprobados por Underwriters Laboratories y la Asociación Canadiense de Estandarización (Canadian Standards Association). El conductor de conexión a tierra tiene un forro verde y está sujeto a la carcasa de la herramienta en un extremo y al terminal de conexión a tierra del enchufe de conexión en el otro extremo.

Si el tomacorriente que piensa usar para esta herramienta eléctrica es del tipo de dos terminales, **NO quite ni altere de ninguna manera el terminal de conexión a tierra.** Haga que un electricista calificado reemplace el tomacorriente para DOS terminales por un tomacorriente para TRES terminales conectado a tierra adecuadamente.

La conexión incorrecta del conductor de conexión a tierra del equipo puede causar un riesgo de descargas eléctricas. El conductor con aislamiento que tiene una superficie exterior de color verde con o sin franjas amarillas es el conductor del equipo. Si es necesario reparar o reemplazar el cordón eléctrico o el enchufe, no conecte el conductor de conexión a tierra del equipo a un terminal con corriente.

Consulte a un electricista calificado o a personal de servicio calificado si no entiende completamente las instrucciones de conexión a tierra o si tiene dudas sobre si la herramienta está conectada a tierra adecuadamente.

Utilice siempre un cordón de extensión apropiado. La utilización de cualquier cordón de extensión causará algo de pérdida de potencia. Para reducir esta pérdida al mínimo y evitar el recalentamiento y que el motor se queme, utilice la tabla que aparece a continuación para determinar el cordón de extensión con el tamaño de cable mínimo (A.W.G., calibre americano de alambres). Utilice únicamente cordones de extensión de tres cables que tengan enchufes de tipo de conexión a tierra de tres terminales y tomacorrientes para tres polos que acepten el enchufe de la herramienta. Asegúrese de que su cordón de extensión esté en buenas condiciones.

Longitud del cordón de extensión	Calibre de alambre A.W.G.
0-25 pies	18
26-50 pies	16
51-100 pies	16

“GUARDE ESTAS INSTRUCCIONES”

Índice

Normas generales de seguridad	28	Familiarización con la amoladora	34
Normas de seguridad adicionales	29-30	Ensamblaje y ajustes	35-37
Especificaciones del motor y requisitos eléctricos	31	Utilización básica de la amoladora	38-39
Índice	32	Mantenimiento de la amoladora	40
Desempaquetado y comprobación del contenido	33		

Desempaquetado y comprobación del contenido

⚠ ADVERTENCIA Para reducir el riesgo de lesiones, no conecte nunca el enchufe al tomacorriente de la fuente de alimentación hasta que se hayan completado todos los pasos de ensamblaje y hasta que haya leído y entendido todo el manual del usuario.

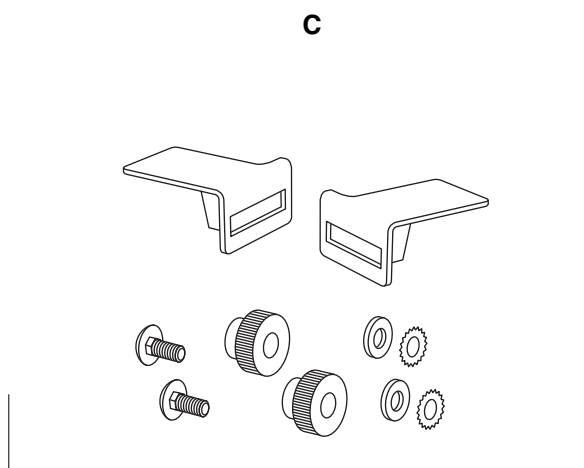
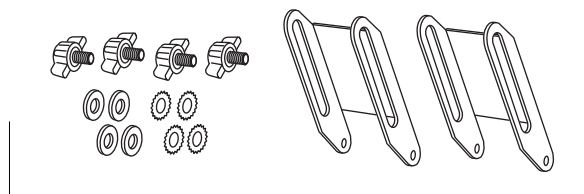
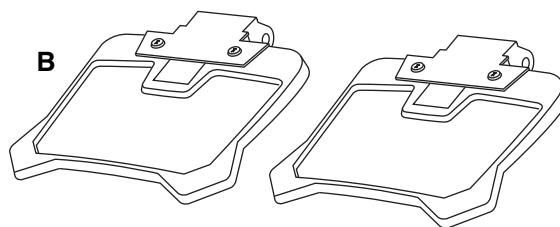
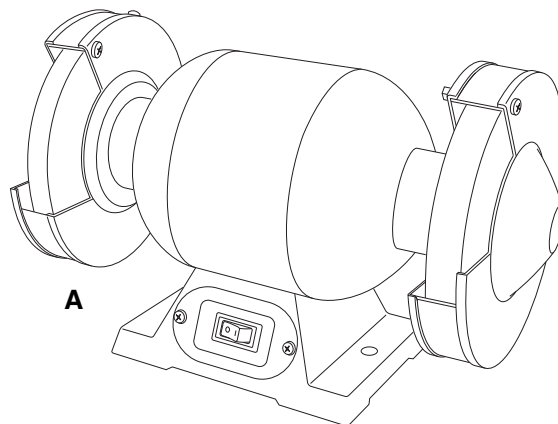
La amoladora de banco modelo 3380 se envía completa en una caja.

Desempaquetado y comprobación del contenido. Separe todas las "piezas sueltas" de los materiales de empaquetamiento y compruebe cada artículo con la "Tabla de piezas sueltas", para asegurarse de que no falte ningún artículo antes de desechar cualquier material de empaquetamiento.

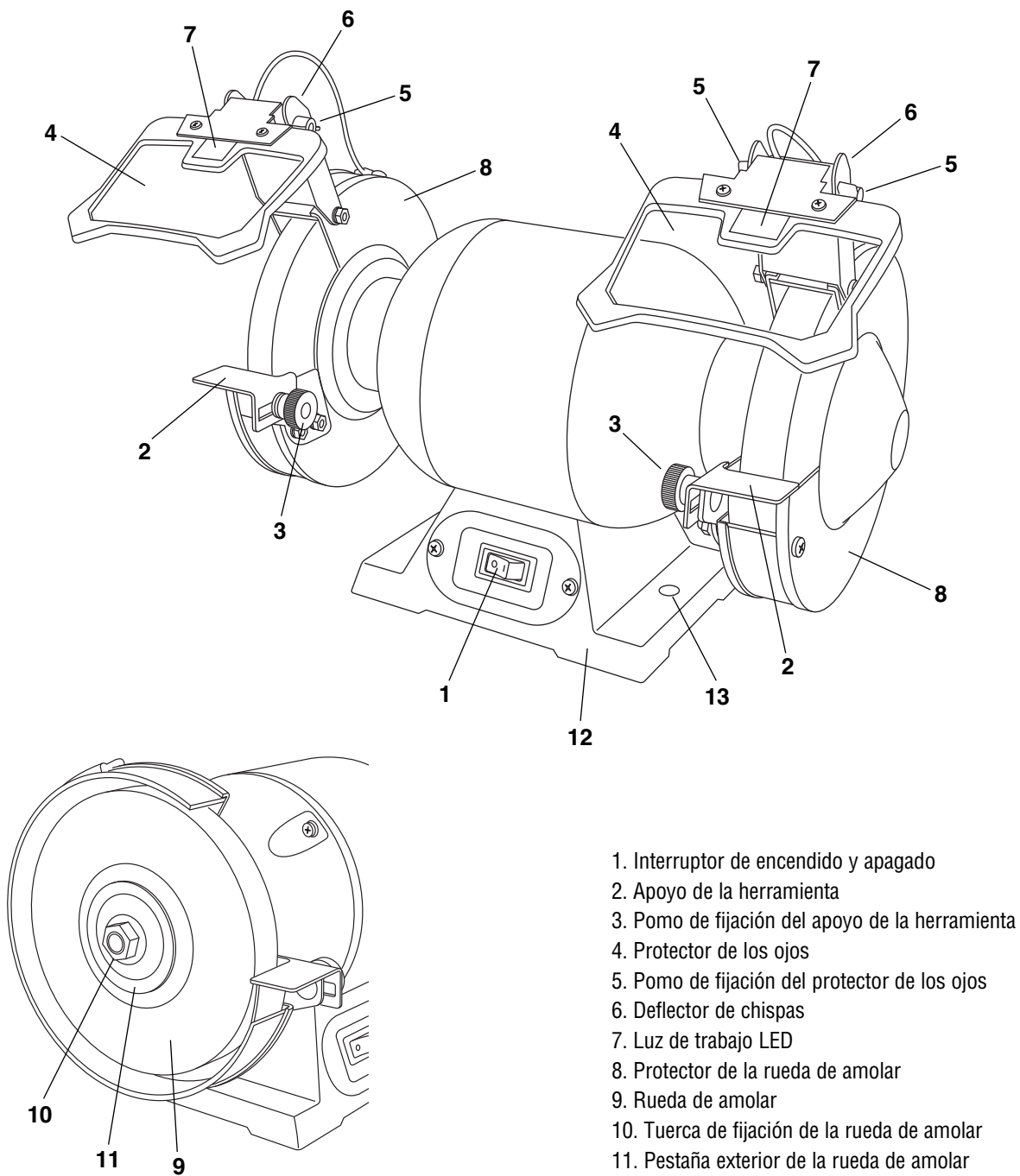
⚠ ADVERTENCIA Si falta alguna pieza, no intente ensamblar la amoladora, enchufar el cable de alimentación o poner el interruptor en la posición de encendido hasta que las piezas que falten se hayan obtenido y se hayan instalado correctamente.

Tabla de piezas sueltas

Artículo	Descripción	Cant.
A	Ensamblaje de la amoladora	1
B	Protector de los ojos	2
Piezas sueltas en la bolsa 1		
C	Soporte del deflector de chispas	2
	Pomo de fijación	4
	Arandela plana	4
	Arandela de seguridad	4
Piezas sueltas en la bolsa 2		
D	Apoyo de la herramienta (derecho e izquierdo)	2
	Pomo de fijación	2
	Arandela plana	2
	Arandela de seguridad	2
	Perno	2



Familiarización con la amoladora de banco



1. Interruptor de encendido y apagado
2. Apoyo de la herramienta
3. Pomo de fijación del apoyo de la herramienta
4. Protector de los ojos
5. Pomo de fijación del protector de los ojos
6. Deflector de chispas
7. Luz de trabajo LED
8. Protector de la rueda de amolar
9. Rueda de amolar
10. Tuerca de fijación de la rueda de amolar
11. Pestaña exterior de la rueda de amolar
12. Base
13. Agujeros de montaje

Ensamblaje y ajustes

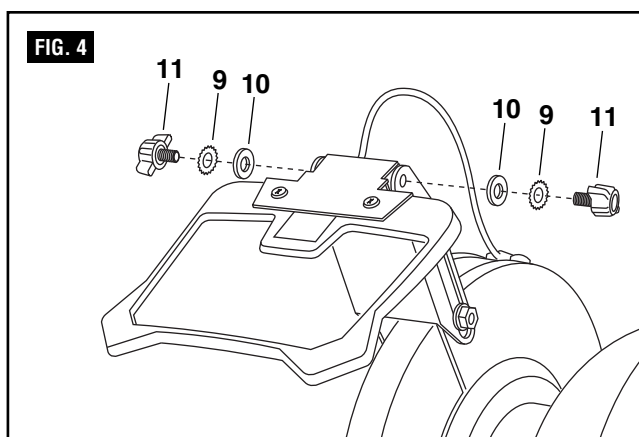
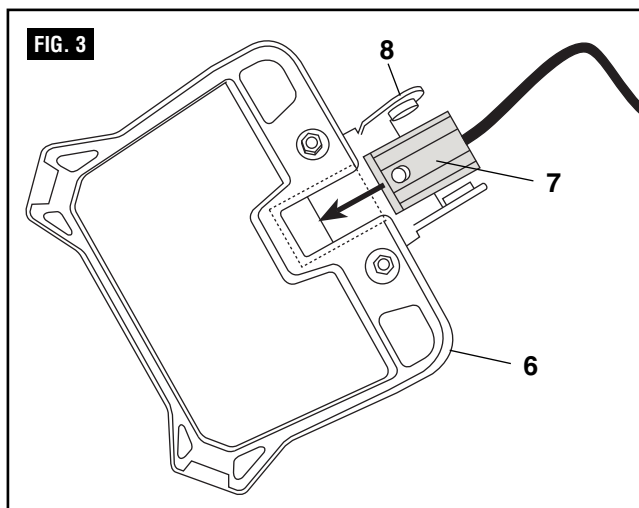
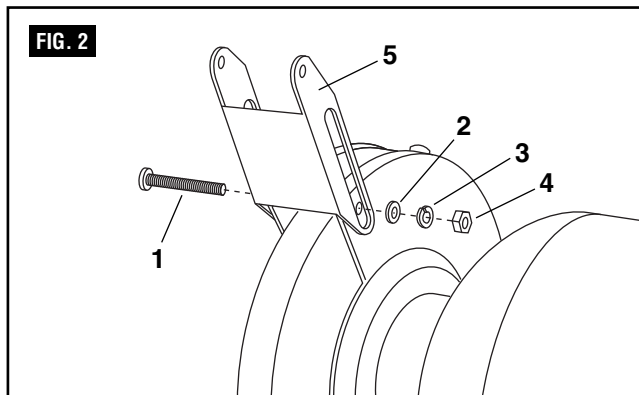
⚠ ADVERTENCIA Para reducir el riesgo de lesiones, no conecte nunca el enchufe al tomacorriente de la fuente de alimentación hasta que se hayan completado todos los pasos de ensamblaje.

Instalación y ajuste de los deflectores de chispas y los protectores de los ojos

IMPORTANTE: Antes de instalar los protectores de los ojos y los deflectores de chispas, asegúrese de que la amoladora esté apagada y que el enchufe de alimentación se haya sacado del tomacorriente.

Nota: Asegúrese siempre de que los protectores de los ojos estén instalados correctamente y que los deflectores de chispas de los protectores de los ojos estén ajustados correctamente cada vez que se utilice la amoladora. Los protectores de los ojos y los deflectores de chispas deben estar instalados sobre cada rueda de amolar.

1. Retire el perno (1,2,3,4) de la parte de arriba del protector de la rueda de amolar mostrado en la figura 2.
2. Posicione el deflector de chispas (5) en la parte de arriba del protector de la rueda de amolar, de la manera que se muestra en la figura 2.
3. Reinserte el perno (1) a través del deflector de chispas y el protector de la rueda de amolar, seguido por la arandela (2), la arandela de seguridad (3) y la tuerca (4).
4. Apriete la tuerca para sujetar firmemente el deflector de chispas al protector de la rueda de amolar.
5. Sujete el protector de los ojos (6) en posición invertida e inserte el ensamblaje de la luz (7), deslizándolo hasta la posición correcta entre el protector y la pieza de soporte del protector (8), de la manera que se muestra en la figura 3.
6. Posicione el protector de los ojos sobre el soporte del deflector de chispas, de la manera que se muestra en la figura 4.
7. Coloque una arandela de seguridad (9) y una arandela plana (10) en cada uno de los dos pomos de fijación del protector de los ojos (11), luego inserte los pomos a través del soporte del deflector de chispas y enrósquelos en el protector de los ojos, y apriete el pomo girándolo en el sentido de las agujas del reloj para sujetar firmemente el protector de los ojos sobre el soporte del deflector de chispas.
8. Gire a mano la rueda de amolar una revolución completa para asegurarse de que pueda girar rápidamente sin entrar en contacto con el soporte del deflector de chispas. Apriete firmemente el pomo que retiene el soporte.
9. Repita el procedimiento para el lado opuesto.



Ensamblaje y ajustes

Instalación de los apoyos de la herramienta

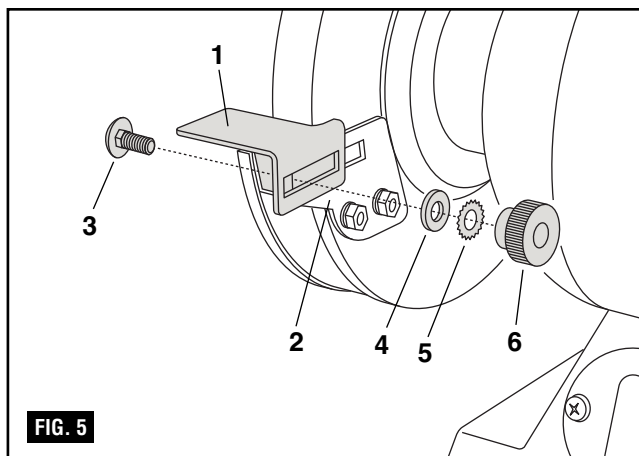
Los apoyos de la herramienta se necesitan para cada rueda de amolar de alta velocidad, con el fin de ayudar en la operación de amolar.

⚠ ADVERTENCIA Para reducir el riesgo de lesiones, No utilice nunca una amoladora de banco en la cual no se haya instalado el apoyo de la herramienta o donde el apoyo de la herramienta no se haya ajustado correctamente.

Nota. Un apoyo de la herramienta está diseñado para el lado derecho y el otro apoyo está diseñado para el lado izquierdo. Siga los diagramas para asegurarse de que el apoyo de la herramienta correcto esté instalado en el lado correcto.

IMPORTANTE. Antes de instalar los apoyos de la herramienta, asegúrese de que la amoladora esté apagada y que el enchufe de alimentación se haya sacado del tomacorriente.

1. Sujete el apoyo de la herramienta **(1)** en la posición correcta contra el soporte del apoyo de la herramienta **(2)**.
2. Inserte el perno **(3)** a través del soporte del apoyo de la herramienta y el apoyo de la herramienta, seguido por una arandela **(4)**, una arandela de seguridad **(5)** y un pomo de fijación **(6)**.
3. Apriete el pomo de fijación lo suficientemente como para soportar el apoyo de la herramienta, pero de manera que aún permita que el apoyo de la herramienta se deslice hacia dentro y hacia fuera.
4. Deslice el apoyo de la herramienta hasta un máximo de 1.5 mm de la rueda de amolar. Gire a mano la rueda de amolar una revolución completa para asegurarse de que no entre en contacto con el apoyo de la herramienta.
5. Apriete firmemente el pomo de fijación para retener el ensamblaje.
6. Repita la operación de ensamblaje para el segundo apoyo de la herramienta.



Ensamblaje y ajustes

Montaje de la amoladora de banco en un banco de trabajo

Si la amoladora de banco se va a utilizar en una ubicación permanente, se debe sujetar firmemente a una superficie de soporte firme, tal como una base de soporte o un banco de trabajo, utilizando los dos agujeros de montaje (1), uno de los cuales se muestra en la figura 6.

Cuando monte la amoladora en un banco de trabajo, se deben taladrar agujeros a través de la superficie de soporte del banco de trabajo, utilizando las dimensiones mostradas en la ilustración (Fig. 6).

1. Cada uno de los dos agujeros de montaje se debe empernar firmemente utilizando tuercas hexagonales de 5/16 de pulgada (no incluidas). Las longitudes de los tornillos deben ser 1-1/2 pulgadas mayores que el grosor del tablero de banco.
2. Localice y marque el lugar donde se va a montar la amoladora.
3. Taladre dos (2) agujeros de 7/16 de pulgada de diámetro a través del banco de trabajo.
4. Coloque la amoladora de banco sobre el banco de trabajo, alineando los agujeros de la base con los agujeros taladrados en el banco de trabajo.
5. Inserte dos (2) tornillos de 5/16 de pulgada y apriételos.

Montaje en madera contrachapada

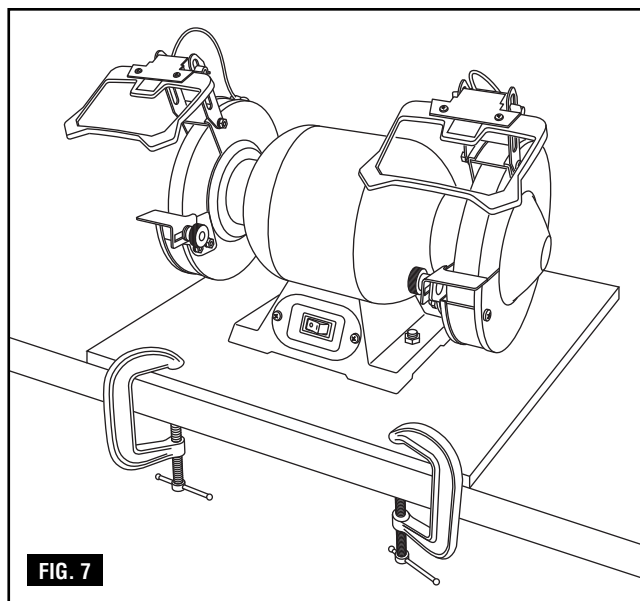
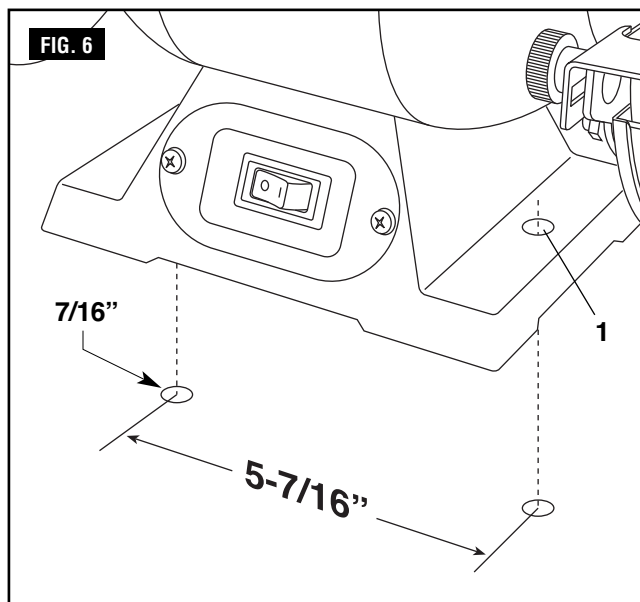
Un método alternativo de sujetar la amoladora de banco es fijar la base de la amoladora a una tabla de montaje de 12 x 18 pulgadas de tamaño mínimo, para impedir que la amoladora se incline mientras se esté utilizando. Se recomienda cualquier madera contrachapada de buena calidad con un grosor mínimo de 3/4 de pulgada (Fig. 7).

1. Siga las instrucciones de montaje en un banco de trabajo, sustituyendo el banco con una tabla de madera contrachapada de 12 x 18 pulgadas de tamaño mínimo y utilizando tornillos de cabeza plana de 5/16 de pulgada, arandelas de seguridad y tuercas hexagonales (no incluidas). La longitud de los tornillos debe ser al menos 1-1/2 pulgadas mayor que el grosor de la tabla de montaje.

NOTA: Para lograr una estabilidad apropiada, los agujeros se deben avellanar para que las cabezas de los tornillos estén al ras con la superficie inferior de la tabla de soporte.

2. Sujete firmemente con abrazaderas la tabla al banco de trabajo utilizando dos o más abrazaderas en "C" (Fig. 7).

La superficie de soporte donde se va a montar la amoladora se debe examinar minuciosamente después de realizar el montaje, para asegurarse de que no pueda haber movimiento durante la utilización de la amoladora. Si se observa cualquier inclinación o desplazamiento, sujete firmemente el banco de trabajo o la base de soporte antes de utilizar la amoladora de banco.



Utilización

⚠ ADVERTENCIA Riesgo de lesiones por causa de un arranque accidental. No utilice la amoladora en un área en la que pueda haber niños.

IMPORTANTE: Antes de utilizar la amoladora, asegúrese de que los protectores de los ojos, los deflectores de chispas y los apoyos de la herramienta estén instalados y ajustados correctamente y que usted tenga puesto equipo de seguridad, incluyendo protección de los ojos, de la audición y respiratoria.

1. Gire a mano la rueda de amolar para asegurarse de que no toque el protector de la rueda de amolar, los protectores de los ojos, los deflectores de chispas o los apoyos de la herramienta, y asegurarse de que gire libremente.
2. Sitúese a un lado, ponga el interruptor en la posición de encendido y deje que el motor alcance toda su velocidad.

Para arrancar la amoladora: Presione el lado derecho del interruptor. Para apagar la amoladora, presione el lado izquierdo del interruptor. Las posiciones de “ENCENDIDO” y “APAGADO” están estampadas en la placa del interruptor (Fig. 8). Si la amoladora no arranca inmediatamente, APAGUELA, desconecte el cable de alimentación y compruebe el voltaje en la fuente de alimentación.

⚠ ADVERTENCIA Para reducir el riesgo de lesiones, No se deben hacer ajustes de los apoyos de la herramienta, los protectores antichispas u otros componentes mientras las ruedas de amolar estén girando.

3. Soporte la pieza de trabajo sobre el apoyo de la herramienta y haga avanzar gradualmente la pieza de trabajo hacia la rueda de amolar. Utilice unos alicates para sujetar las piezas de trabajo pequeñas.

Nota. Pase la pieza de trabajo a través de la anchura completa de la rueda de amolar para prolongar su superficie plana.

4. Si la operación de amolado hace que la velocidad del motor disminuya considerablemente, tire hacia atrás de la pieza de trabajo, deje que el motor recupere toda su velocidad y recomience la operación de amolado, pero ejerza menos fuerza.

⚠ ADVERTENCIA Para reducir el riesgo de lesiones, Utilice únicamente la cara frontal de la rueda de amolar, no los costados. Tenga presente que la pieza de trabajo se puede poner muy caliente. Puede que sea necesario enfriar una pieza de trabajo sumergiéndola en un refrigerante o en agua. No aplique refrigerante ni agua a la rueda de amolar.

Luz LED

Esta herramienta está equipada con luces LED para brindar una mejor visibilidad en el área de trabajo durante la operación. Al encender la herramienta, la luz se encenderá automáticamente y permanecerá encendida hasta que se apague la herramienta.

Cómo alinear y reacondicionar las ruedas de amolar

El reacondicionamiento de una rueda de amolar limpia y nivela la superficie delantera para aumentar la eficiencia de funcionamiento y evitar las vibraciones.

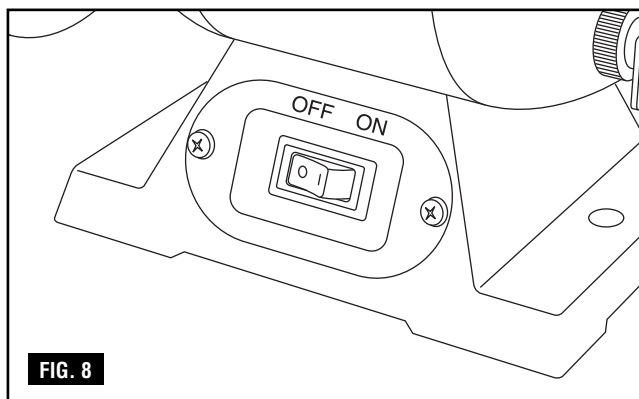


FIG. 8

1. El reacondicionamiento de una rueda de amolar involucra el uso de una piedra de reacondicionamiento de ruedas de amolar, la cual no se suministra con la amoladora. Siga las instrucciones del fabricante de la piedra de reacondicionamiento de ruedas de amolar.
2. Ajuste el apoyo de la herramienta para permitir que la parte delantera de la piedra de reacondicionamiento de ruedas de amolar quepa entre el apoyo de la herramienta y la rueda de amolar.
3. Arranque el motor y mueva la piedra de reacondicionamiento a través de la parte delantera de la rueda de amolar un número de veces suficiente hasta que la superficie esté nivelada. No es necesario aplicar una fuerza excesiva en un intento por reacondicionar la rueda de amolar en una pasada de la piedra de reacondicionamiento de ruedas de amolar.
4. Ajuste el apoyo de la herramienta de manera que no esté a más de 1.5 mm de la rueda de amolar.
5. Ajuste el deflector de chispas para asegurarse de que la holgura entre el deflector y la rueda de amolar sea menos de 6 mm.

Ajustes de la amoladora

Durante la vida de la amoladora se requieren algunos ajustes para mantener un ambiente de trabajo seguro.

Por favor, asegúrese de hacer las cosas siguientes:

- Ajuste siempre los protectores de los ojos en el ángulo más cómodo y efectivo para acomodarse a la tarea que se esté realizando.
- A medida que las ruedas de amolar se desgasten, el deflector de chispas se debe ajustar para asegurarse de que la holgura entre el deflector de chispas y la rueda de amolar no exceda de 6 mm.
- A medida que las ruedas de amolar se desgasten, los apoyos de la herramienta también se deben ajustar, para que no haya nunca una holgura superior a 1.5 mm entre la rueda de amolar y el borde del apoyo de la herramienta.

Utilización

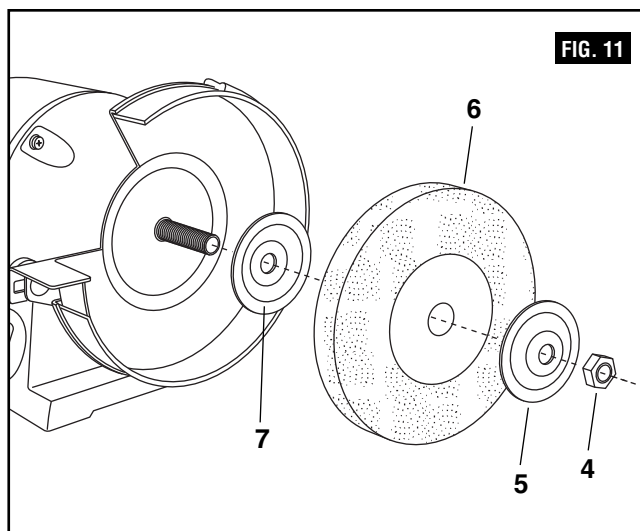
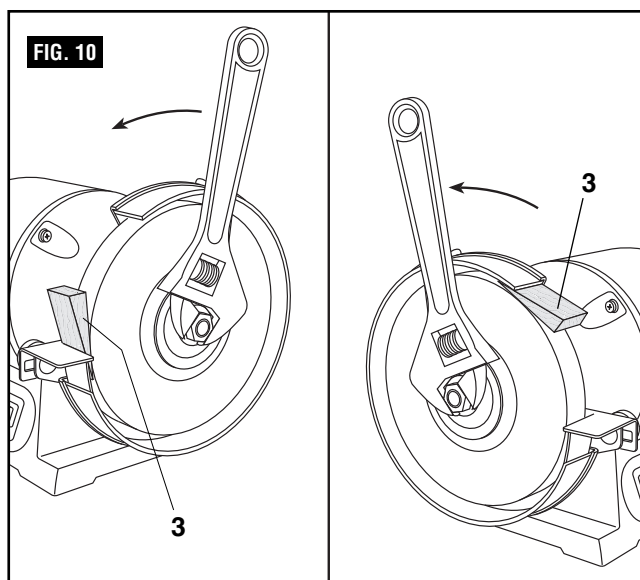
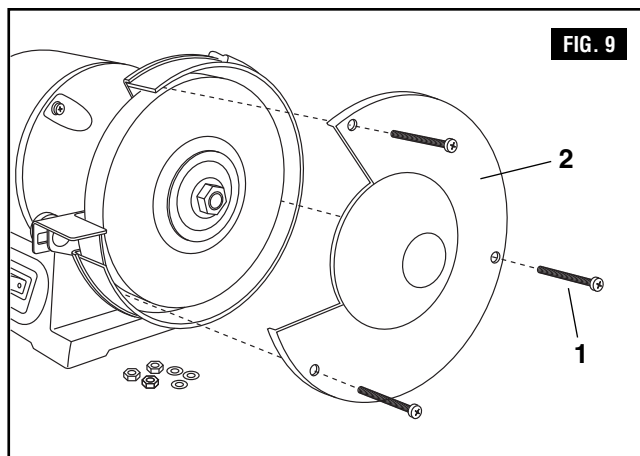
Cambio de una rueda de amolar

IMPORTANTE: Antes de cambiar una rueda de amolar, asegúrese de que la amoladora esté apagada y que el enchufe de alimentación se haya sacado del tomacorriente. Asegúrese de que la rueda de amolar de repuesto tenga una capacidad nominal de 3500 RPM o más alta.

1. Afloje y retire los 3 pernos (1) ubicados en el protector de la rueda de amolar (2), de la manera que se muestra en la figura 9.
2. Retire el protector de la rueda de amolar.
3. Para evitar la rotación de la rueda de amolar, coloque una cuña de madera (3) entre la rueda de amolar y el apoyo de la herramienta (Figura 10).
4. Retire la tuerca de fijación (4) (consulte la nota que aparece a continuación respecto al sentido de rotación correcto), la pestaña exterior (5) y la rueda de amolar (6).

Nota: La rueda de amolar ubicada en el lado izquierdo de la amoladora de banco tiene una rosca a izquierdas y se desenrosca en el sentido de las agujas del reloj. La rueda de amolar ubicada en el lado derecho de la amoladora de banco tiene una rosca a derechas y se desenrosca en sentido contrario al de las agujas del reloj.

5. Instale la rueda de amolar de repuesto (6) y la pestaña exterior (5) en el eje, asegurándose de que haya un secante entre la rueda de amolar y las pestañas en cada costado de la rueda de amolar. Asegúrese de que la rueda de amolar esté ajustada de manera que se deslice (sin estar floja) por el husillo (Figura 11).
6. Coloque de nuevo la tuerca de la rueda de amolar (4) y apriétela. (Consulte la nota que aparece arriba sobre el sentido de rotación de la tuerca.)
7. Reinstale el protector de la rueda de amolar.
8. Reinserte los 3 pernos (1), arandelas, arandelas de seguridad y tuercas, y apriete el protector de la rueda de amolar en su sitio.
9. Reajuste el apoyo de la herramienta, el deflector de chispas y el protector de los ojos.
10. Gire a mano la rueda de amolar para comprobar si se mueve libremente y si los ajustes son apropiados.
11. Enchufe la amoladora de banco, póngase la protección de los ojos, sitúese a un lado y haga funcionar la amoladora a su máxima velocidad durante varios minutos.



Mantenimiento de la amoladora de banco

Mantenimiento

⚠ ADVERTENCIA Para reducir el riesgo de lesiones, ponga el interruptor de encendido en la posición de "APAGADO" y saque el enchufe del tomacorriente de la fuente de alimentación antes de hacer mantenimiento de la amoladora o lubricarla.

GENERAL

Sople frecuentemente todo el polvo que se haya acumulado dentro del motor.

Una capa ocasional de cera en pasta aplicada a la mesa de trabajo permitirá que la madera que se esté cortando se deslice suavemente por la superficie de trabajo.

⚠ PRECAUCIÓN Ciertos agentes limpiadores y solventes dañan las piezas de plástico, incluyendo: gasolina, tetracloruro de carbono, solventes de limpieza clorados, amoníaco y detergentes domésticos que contienen amoníaco. Si se evita el uso de estos y otros tipos de agentes limpiadores, se minimiza la probabilidad de que se produzcan daños.

⚠ ADVERTENCIA Para evitar un peligro de descargas eléctricas o incendio, si el cable de alimentación está desgastado, cortado o dañado de alguna manera, haga que lo reemplacen inmediatamente.

⚠ ADVERTENCIA Todas las reparaciones, eléctricas o mecánicas, deben ser intentadas solamente por personal de reparación capacitado. Póngase en contacto con el Centro de Servicio de Fábrica Skil más cercano, la Estación de Servicio Skil Autorizada más cercana u otro servicio de reparaciones competente. Utilice únicamente piezas de repuesto Skil; cualquier otra pieza podría crear un peligro.

Lubricación

Todos los COJINETES DE BOLAS se engrasan completamente en la fábrica. No requieren lubricación adicional.

Accesorios

Utilice únicamente accesorios recomendados. Siga las instrucciones que acompañan a los accesorios. La utilización de accesorios incorrectos podría causar peligros.

Notes

Notes

Notes

LIMITED WARRANTY OF SKIL CONSUMER PORTABLE, BENCHTOP AND HD AND SHD HEAVY DUTY POWER TOOLS

Robert Bosch Tool Corporation ("Seller") warrants to the original purchaser only, that all SKIL consumer portable, benchtop and HD and SHD Heavy Duty power tools will be free from defects in material or workmanship for a period of one year from date of purchase. SKIL Benchtop and consumer portable power tool models will be free from defects in material or workmanship for a period of ninety days if the tool is used for professional use.

SELLER'S SOLE OBLIGATION AND YOUR EXCLUSIVE REMEDY under this Limited Warranty and, to the extent permitted by law, any warranty or condition implied by law, shall be the repair or replacement of parts, without charge, which are defective in material or workmanship and which have not been misused, carelessly handled, or misrepaired by persons other than Seller or Authorized Service Station. To make a claim under this Limited Warranty, you must return the complete product, transportation prepaid, to any SKIL Factory Service Center or Authorized Service Station. For Authorized SKIL Power Tool Service Stations, please visit www.skil.com or call 1-877-SKIL-999 (1-877-754-5999).

THIS LIMITED WARRANTY DOES NOT APPLY TO ACCESSORY ITEMS SUCH AS CIRCULAR SAW BLADES, DRILL BITS, ROUTER BITS, JIGSAW BLADES, SANDING BELTS, GRINDING WHEELS AND OTHER RELATED ITEMS.

ANY IMPLIED WARRANTIES SHALL BE LIMITED IN DURATION TO ONE YEAR FROM DATE OF PURCHASE. SOME STATES IN THE U.S., SOME CANADIAN PROVINCES DO NOT ALLOW LIMITATIONS ON HOW LONG AN IMPLIED WARRANTY LASTS, SO THE ABOVE LIMITATION MAY NOT APPLY TO YOU.

IN NO EVENT SHALL SELLER BE LIABLE FOR ANY INCIDENTAL OR CONSEQUENTIAL DAMAGES (INCLUDING BUT NOT LIMITED TO LIABILITY FOR LOSS OF PROFITS) ARISING FROM THE SALE OR USE OF THIS PRODUCT. SOME STATES IN THE U.S. AND SOME CANADIAN PROVINCES DO NOT ALLOW THE EXCLUSION OR LIMITATION OF INCIDENTAL OR CONSEQUENTIAL DAMAGES, SO THE ABOVE LIMITATION OR EXCLUSION MAY NOT APPLY TO YOU.

THIS LIMITED WARRANTY GIVES YOU SPECIFIC LEGAL RIGHTS, AND YOU MAY ALSO HAVE OTHER RIGHTS WHICH VARY FROM STATE TO STATE IN THE U.S., PROVINCE TO PROVINCE IN CANADA AND FROM COUNTRY TO COUNTRY.

THIS LIMITED WARRANTY APPLIES ONLY TO PRODUCTS SOLD WITHIN THE UNITED STATES OF AMERICA, CANADA AND THE COMMONWEALTH OF PUERTO RICO. FOR WARRANTY COVERAGE WITHIN OTHER COUNTRIES, CONTACT YOUR LOCAL SKIL DEALER OR IMPORTER.

GARANTIE LIMITÉE DES OUTILS ÉLECTRIQUES GRAND PUBLIC SKIL PORTATIFS, DE TABLE ET POUR USAGE INDUSTRIEL HD ET SHD

Robert Bosch Tool Corporation (le « Vendeur ») garantit à l'acheteur initial seulement que tous les outils électriques grand public SKIL portatifs, de table et pour usage industriel HD et SHD seront exempts de vices de matériau ou de façon pendant une période d'un an depuis la date d'achat. Les modèles d'outils électriques grand public SKIL portatifs et de table seront exempts de vices de matériau ou de façon pendant une période de quatre-vingt-dix jours si l'outil est utilisé professionnellement.

LA SEULE OBLIGATION DU VENDEUR ET LE SEUL RECOURS DE L'ACHETEUR sous la présente garantie limitée, et dans la mesure où la loi le permet sous toute garantie ou condition implicite qui en découlerait, sera l'obligation de remplacer ou réparer gratuitement les pièces défectueuses en termes de matériau ou de façon, pourvu que lesdites déficiences ne soient pas attribuables à un usage abusif ou à quelque réparation ou altération bricolée par quelqu'un d'autre que le Vendeur ou le personnel d'une station-service agréée. En cas de réclamation sous la présente garantie limitée, l'acheteur est tenu de renvoyer l'outil complet en port payé à un centre de service-usine SKIL ou une station-service agréée. Pour trouver les coordonnées de la station-service agréée SKIL la plus proche, veuillez visiter www.skil.com ou téléphoner au 1-877-SKIL-999 (1-877-754-5999).

LA PRÉSENTE GARANTIE NE S'APPLIQUE PAS AUX ACCESSOIRES TELS QUE LAMES DE SCIE CIRCULAIRE, MÊCHES DE PERCEUSES, FERS DE TOUPIES, LAMES DE SCIES SAUTEUSES, COURROIES DE PONÇAGE, MEULES ET AUTRES ARTICLES DU GENRE.

TOUTE GARANTIE IMPLICITE SERA LIMITÉE À UNE DURÉE À UN AN À COMPTER DE LA DATE D'ACHAT. COMME CERTAINS ÉTATS AMÉRICAINS ET CERTAINES PROVINCES CANADIENNES N'ADMETTENT PAS LE PRINCIPE DE LA LIMITATION DE LA DURÉE DES GARANTIES IMPLICITES, IL EST POSSIBLE QUE LES LIMITATIONS CI-DESSUS NE S'APPLIQUENT PAS À VOTRE CAS.

EN AUCUN CAS LE VENDEUR NE SAURAIT ÊTRE TENU POUR RESPONSABLE DES INCIDENTS OU DOMMAGES INDIRECTS (INCLUANT, MAIS NE SE LIMITANT PAS AUX PERTES DE PROFITS) CONSÉCUTIFS À LA VENTE OU À L'USAGE DE CE PRODUIT. COMME CERTAINS ÉTATS AMÉRICAINS ET CERTAINES PROVINCES CANADIENNES N'ADMETTENT PAS LE PRINCIPE DE LA LIMITATION OU DE L'EXCLUSION DES DOMMAGES INDIRECTS ET SECONDAIRES, IL EST POSSIBLE QUE LES LIMITATIONS OU EXCLUSIONS CI-DESSUS NE S'APPLIQUENT PAS À VOTRE CAS.

CETTE GARANTIE LIMITÉE VOUS DONNE DES DROITS PRÉCIS, ET VOUS POUVEZ ÉGALEMENT AVOIR D'AUTRES DROITS QUI VARIENT D'UN ÉTAT À L'AUTRE AUX ÉTATS-UNIS, D'UNE PROVINCE À L'AUTRE AU CANADA, ET D'UN PAYS À L'AUTRE.

CETTE GARANTIE LIMITÉE S'APPLIQUE UNIQUEMENT AUX OUTILS VENDUS AUX ÉTATS-UNIS D'AMÉRIQUE, AU CANADA ET DANS LE COMMONWEALTH DE PORTO RICO. POUR CONNAÎTRE LA COUVERTURE DE GARANTIE DANS LES AUTRES PAYS, CONTACTEZ VOTRE IMPORTATEUR OU REVENDEUR SKIL LOCAL.

GARANTÍA LIMITADA PARA HERRAMIENTAS MECÁNICAS PORTÁTILES DE CONSUMO, DE BANCO Y DE SERVICIO PESADO HD y SHD DE SKIL

Robert Bosch Tool Corporation ("el Vendedor") garantiza, únicamente al comprador original, que todas las herramientas mecánicas portátiles de consumo, de banco y de servicio pesado HD y SHD de SKIL estarán libres de defectos de material o de fabricación durante un período de un año a partir de la fecha de compra. Los modelos de herramientas mecánicas de banco y portátiles de consumo de SKIL estarán libres de defectos de material o de fabricación durante un período de noventa días si la herramienta se emplea para uso profesional.

LA ÚNICA OBLIGACIÓN DEL VENDEDOR Y EL RECURSO EXCLUSIVO QUE USTED TIENE bajo esta Garantía Limitada y, hasta donde la ley lo permita, bajo cualquier garantía o condición implícita por ley, consistirá en la reparación o sustitución sin costo de las piezas que presenten defectos de material o de fabricación y que no hayan sido utilizadas incorrectamente, manejadas descuidadamente o reparadas incorrectamente por personas que no sean el Vendedor o una Estación de servicio autorizada. Para efectuar una reclamación bajo esta Garantía Limitada, usted debe devolver el producto completo, con el transporte prepago, a cualquier Centro de servicio de fábrica SKIL o Estación de servicio SKIL autorizada. Para localizar Estaciones de servicio autorizadas de herramientas mecánicas SKIL, sírvase visitar www.skil.com o llame al 1-877-SKIL-999 (1-877-754-5999).

ESTA GARANTÍA LIMITADA NO SE APLICA A ARTÍCULOS ACCESORIOS TALES COMO HOJAS PARA SIERRAS CIRCULARES, BROCAS PARA TALADROS, BROCAS PARA FRESADORAS, HOJAS PARA SIERRAS DE VAIVÉN, CORREAS PARA LIJAR, RUEDAS DE AMOLAR Y OTROS ARTÍCULOS RELACIONADOS.

TODAS LAS GARANTÍAS IMPLÍCITAS TENDRÁN UNA DURACIÓN LIMITADA A UN AÑO A PARTIR DE LA FECHA DE COMPRA. ALGUNOS ESTADOS DE LOS EE.UU. Y ALGUNAS PROVINCIAS CANADIENSES NO PERMITEN LIMITACIONES EN CUANTO A LA DURACIÓN DE UNA GARANTÍA IMPLÍCITA, POR LO QUE ES POSIBLE QUE LA LIMITACIÓN ANTERIOR NO SEA APLICABLE EN EL CASO DE USTED.

EL VENDEDOR NO SERÁ RESPONSABLE EN NINGÚN CASO DE NINGÚN DAÑO INCIDENTAL O EMERGENTE (INCLUYENDO PERO NO LIMITADO A RESPONSABILIDAD POR PÉRDIDA DE BENEFICIOS) QUE SE PRODUZCA COMO CONSECUENCIA DE LA VENTA O UTILIZACIÓN DE ESTE PRODUCTO. ALGUNOS ESTADOS DE LOS EE.UU. Y ALGUNAS PROVINCIAS CANADIENSES NO PERMITEN LA EXCLUSIÓN O LIMITACIÓN DE LOS DAÑOS INCIDENTALES O EMERGENTES, POR LO QUE ES POSIBLE QUE LA LIMITACIÓN O EXCLUSIÓN ANTERIOR NO SEA APLICABLE EN EL CASO DE USTED.

ESTA GARANTÍA LIMITADA LE CONFIERE A USTED DERECHOS LEGALES ESPECÍFICOS Y ES POSIBLE QUE USTED TAMBIÉN TENGA OTROS DERECHOS QUE VARIAN DE ESTADO A ESTADO EN LOS EE.UU., DE PROVINCIA A PROVINCIA EN CANADÁ Y DE PAÍS EN PAÍS.

ESTA GARANTÍA LIMITADA SE APLICA SÓLO A LOS PRODUCTOS VENDIDOS EN LOS ESTADOS UNIDOS DE AMÉRICA, CANADÁ Y EL ESTADO LIBRE ASOCIADO DE PUERTO RICO. PARA COBERTURA DE GARANTÍA EN OTROS PAÍSES, PÓNGASE EN CONTACTO CON SU DISTRIBUIDOR O IMPORTADOR LOCAL DE SKIL.

© Robert Bosch Tool Corporation 1800 W. Central Road Mt. Prospect, IL 60056-2230

Exportado por: Robert Bosch Tool Corporation Mt. Prospect, IL 60056-2230, E.U.A.

Importado a México por: Robert Bosch, S.A. de C.V., Calle Robert Bosch No. 405, Zona Industrial, Toluca, Edo. de México, C.P. 50070, Tel. (722) 2792300