

**IMPORTANT:  
Read Before Using**

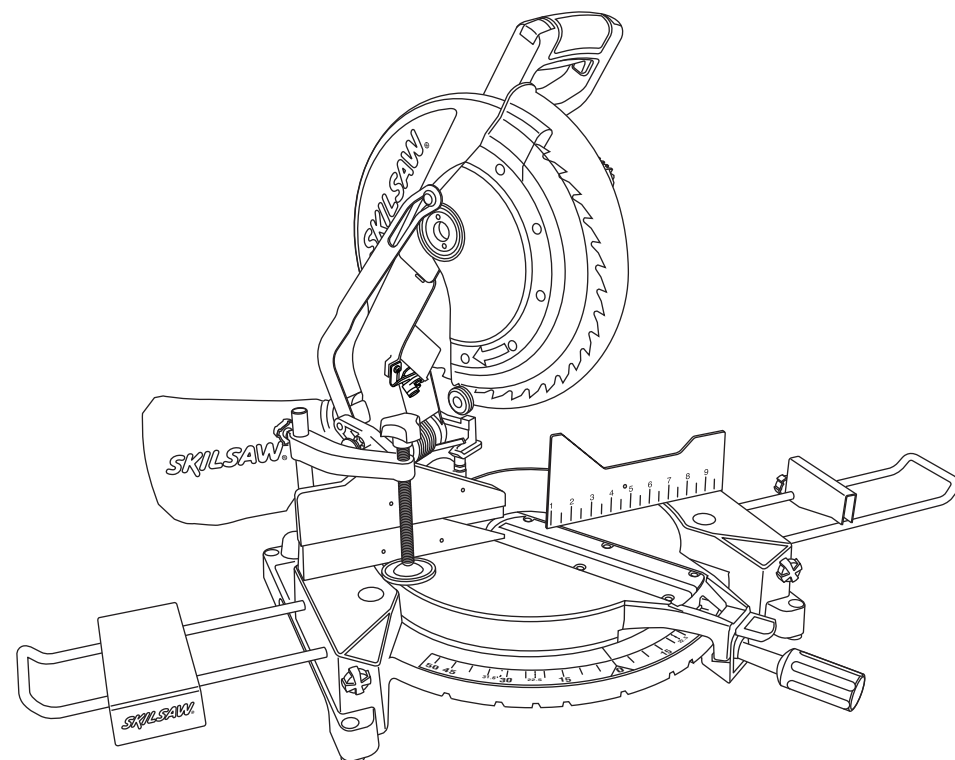
**IMPORTANT :  
Lire avant usage**

**IMPORTANTE:  
Leer antes de usar**



**Operating/Safety Instructions  
Consignes de fonctionnement/sécurité  
Instrucciones de funcionamiento y seguridad**

**3821**



**SKIL**

**Call Toll Free for  
Consumer Information  
& Service Locations**

**Pour obtenir des informations et  
les adresses de nos centres de  
service après-vente,  
appelez ce numéro gratuit**

**Llame gratis para  
obtener información  
para el consumidor y  
ubicaciones de servicio**

**1-877-SKIL999 (1-877-754-5999) www.skil.com**

**For English Version  
See page 2**

**Version française  
Voir page 11**

**Versión en español  
Ver la página 20**

**Safety**

**WARNING** "READ ALL INSTRUCTIONS" — Failure to follow the SAFETY RULES identified by BULLET (•) symbol listed BELOW and other safety precautions, may result in serious personal injury.

**General Safety Rules  
For Bench Top Tools**

**Work Area**

- **Keep work area clean and well lit.** Cluttered benches and dark areas invite accidents.
- **Do not operate power tools in explosive atmospheres, such as in the presence of flammable liquids, gases or dust.** Power tools create sparks which may ignite the dust or fumes.
- **Keep bystanders, children and visitors away while operating a power tool.** Distractions can cause you to lose control.
- **Store idle tools out of reach of children and other untrained persons.** Tools are dangerous in the hands of untrained users.
- **Do not leave tool running unattended, turn power off.** Do not leave tool until it comes to a complete stop.
- **MAKE WORKSHOP CHILDPROOF** with padlock, master switches, or by removing starter keys.

**Electrical Safety**

- **Before plugging in the tool, be certain the outlet voltage supplied is compatible with the voltage marked on the nameplate within 10%.** An outlet voltage incompatible with that specified on the nameplate can result in serious hazards and damage to the tool.
- **Avoid body contact with grounded surfaces such as pipes, radiators, ranges and refrigerators.** There is an increased risk of electric shock if your body is grounded.
- **Do not expose power tools to rain or wet conditions.** Water entering a power tool will increase the risk of electric shock.
- **Do not abuse the cord.** Never use the cord to carry the tools or pull the plug from an outlet. Keep cord away from heat, oil, sharp edges or moving parts. **Replace damaged cords immediately.** Damaged cords increase the risk of electric shock.

**Personal Safety**

- **When operating a power tool outside, use an outdoor extension cord marked "W-A" or "W".** These cords are rated for outdoor use and reduce the risk of electric shock.
- **Stay alert, watch what you are doing and use common sense when operating a power tool.** A moment of inattention or use of drugs, alcohol or medication while operating power tools can be dangerous.
- **Dress properly. Do not wear loose clothing or jewelry. Contain long hair. Keep your hair, clothing and gloves away from moving parts. Loose clothes, jewelry or long hair can be caught in moving parts.** Roll long sleeves above elbows. Rubber gloves and non-skid footwear are recommended when working outdoors.
- **Avoid accidental starting. Be sure switch is "OFF" before plugging in.** Carrying tools with your finger on the switch or plugging in tools that have the switch "ON" invites accidents.
- **Remove adjusting keys or wrenches before turning the tool "ON".** A wrench or a key that is left attached to a rotating part of the tool will be thrown.
- **Do not overreach, keep proper footing and balance at all times.** Proper footing and balance enables better control of the tool in unexpected situations.
- **Do not stand on tool or its stand.** Serious injury may occur if the tool is tipped or if the cutting tool is accidentally contacted. Do not store materials on or near the tool such that it is necessary to stand on the tool or its stand to reach them.
- **Use safety equipment. Always wear safety goggles.** Dust mask, safety shoes, hard hat or hearing protection must be used for appropriate conditions. Everyday eyeglasses only have impact resistant lenses. They are NOT safety glasses.

**"SAVE THESE INSTRUCTIONS"**

## Safety

**WARNING** “READ ALL INSTRUCTIONS” — Failure to follow the SAFETY RULES identified by BULLET (•) symbol listed BELOW and other safety precautions, may result in serious personal injury.

### Tool Use and Care

- **Use clamps or other practical way to secure and support the workpiece to a stable platform.** Holding the work by hand or against your body is unstable. It allows for work to shift, causes binding of the tool and loss of control.
- **Do not force tool. Use the correct tool for your application.** The correct tool will do the job better and safer at the rate for which it is designed. Do not use the tool for purpose not intended - for example; do not use the miter saw for slicing meats.
- **Do not use tool if switch does not turn it “ON” or “OFF”.** Any tool that cannot be controlled with the switch is dangerous.
- **Disconnect the plug from the power source before making any adjustments or changing accessories.** Such preventive safety measures reduce the risk of starting the tool accidentally.
- **Keep cutting tools sharp and clean.** Properly maintained tools, with sharp cutting edges, are less likely to bind and easier to control. When mounting saw blades be certain that the arrow on the blade matches the direction of the arrow marked on the tool and that the teeth are also pointing in the same direction.
- **Inspect guards before using a tool. Keep guards in place. Check moving parts for binding or any other condition that may affect the normal operation or safety features of the tool. If damaged, have tool serviced before using the tool.** Many accidents are caused by poorly maintained tools.
- **Do not alter or misuse tool.** Any alteration or modification is a misuse and may result in serious personal injury.
- **The use of any other accessories not specified in this manual may create a hazard.** Accessories that may be suitable for one type of tool, may become hazardous when used on an inappropriate tool.

### Service

- **Tool service must be performed only by qualified repair personnel.** Service or maintenance performed by unqualified personnel may result in misplacing internal wires and components which could cause serious hazard.
- **When servicing a tool, use only identical replacement parts. Follow instructions in the Maintenance section of this manual.** Use of unauthorized parts or failure to follow Maintenance Instructions may create a hazard.

“SAVE THESE INSTRUCTIONS”

### Safety Rules for Miter Saws

- **Use clamps to support workpiece whenever possible. If supporting the workpiece by hand, you must always keep hand outside of “No Hands” area as marked with a symbol on the base. Do not use this saw to cut pieces that are too small to be securely clamped.** Your hand if placed inside the “No Hands” region can easily slip or be pulled into the blade.
- **Do not reach in back of the saw blade behind the fence with either hand to hold down or support the workpiece, remove wood scraps, or for any other reason.** The proximity of the spinning saw blade to your hand may not be obvious and you may be seriously injured.
- **Never cross your hand over intended line of cutting.** Supporting the workpiece “cross handed” i.e. holding the left side of the workpiece with your right hand is very dangerous.
- **Always disconnect the power cord from the power source before transporting the miter saw. Unplug power cord, lower head assembly and lock into position by engaging the Lock Pin, use the carry handle included on the top of the saw arm and one of the hand indentations in the saw base.**
- **Miter saws are intended primarily to cut wood or woodlike products, they cannot be used with abrasive cutoff wheels for cutting ferrous material such as bars, rods, studs, etc. However, if cutting materials like aluminum or other non-ferrous metals, use only saw blades specifically recommended for non-ferrous metal cutting.** Cutting ferrous materials causes excessive sparking and will damage the lower guard and will overload the motor.
- **Inspect your workpiece before cutting. If workpiece is bowed or warped, clamp it with the outside bowed face toward the fence. Always make certain that there is no gap between the workpiece, fence and table along the line of the cut.** Bent or warped workpieces can twist or rock and may cause binding on the spinning saw blade while cutting. Also, make sure there are no nails or foreign objects in the workpiece.
- **Do not use the saw until the table is clear of all tools, wood scraps, etc., except the workpiece.** Small debris or loose pieces of wood or other objects that contact the revolving blade can be thrown with high speed at the operator.

## Safety

**WARNING** “READ ALL INSTRUCTIONS” — Failure to follow the SAFETY RULES identified by BULLET (•) symbol listed BELOW and other safety precautions, may result in serious personal injury.

- **Do not feed workpiece into the blade or cut “freehand” in any way. Workpiece must be stationary and clamped or braced by your hand.** Saw must be fed through the workpiece smoothly and at a rate which will not overload the saw’s motor.
- **Cut only one workpiece at a time.** Multiple workpieces cannot be adequately clamped or braced and may bind on the blade or shift during cutting.
- **Be certain the miter saw is mounted or placed on a level, firm work surface before using.** A level and firm work surface reduces the risk of the miter saw becoming unstable.
- **Plan your work. Provide adequate support accessories such as tables, saw horses, table extension, etc. for workpieces wider or longer than the table top (see page 47, 49 & 55).** Workpieces longer or wider than the miter saw table can tip if not securely supported. If the cutoff piece or workpiece tips it can lift the lower guard or be thrown by the spinning blade.
- **Do not use another person as a substitute for a table extension or as additional support.** Unstable support for the workpiece can cause the blade to bind or the workpiece to shift during the cutting operation pulling you and the helper into the spinning blade.
- **The cutoff piece must not be jammed against or pressured by any other means against the spinning saw blade.** If confined, i.e. using length stops, it could get wedged against the blade and thrown violently.
- **Always use a clamp or a fixture designed to properly support round material such as dowel rods, or tubing.** Rods have a tendency to roll while being cut, causing the blade to “bite” and pull the work with your hand into the blade.
- **When cutting irregularly shaped workpieces, plan your work so it will not slip and pinch the blade and be torn from your hand.** A piece of molding, for example, must lie flat or be held by a fixture or jig that will not let it twist, rock or slip while being cut.
- **Let the blade reach full speed before contacting the workpiece.** This will help avoid thrown workpieces.
- **If the workpiece or blade becomes jammed or bogged down, turn miter saw “OFF” by releasing switch. Wait for all moving parts to stop and unplug the miter saw, then work to free the jammed material.** Continued sawing with jammed workpiece could cause loss of control or damage to compound miter saw.
- **Braking action of the saw causes the saw head to jerk downward. Be ready for this reaction** when making an incomplete cut or when releasing the switch before the head is completely in the down position.
- **After finishing the cut, release the switch, hold the saw arm down and wait for blade to stop before removing work or cutoff piece. If blade does not stop within ten (10) seconds, unplug the saw and follow the instructions in the Troubleshooting section. REACHING WITH YOUR HAND UNDER A COASTING BLADE IS DANGEROUS!**
- **Do not use saw blade rated less than 4500/min(RPM).**

**WARNING** Some dust created by power sanding, sawing, grinding, drilling, and other construction activities contains chemicals known to cause cancer, birth defects or other reproductive harm. Some examples of these chemicals are:

- Lead from lead-based paints,
- Crystalline silica from bricks and cement and other masonry products, and
- Arsenic and chromium from chemically treated lumber.

Your risk from these exposures varies, depending on how often you do this type of work. To reduce your exposure to these chemicals: work in a well ventilated area, and work with approved safety equipment, such as those dust masks that are specially designed to filter out microscopic particles.

- **There are additional safety instructions for particular operations of the saw in the operating section. Read the rest of the manual for safe operation.**

“SAVE THESE INSTRUCTIONS”



## Safety

**WARNING** "READ ALL INSTRUCTIONS" — Failure to follow the SAFETY RULES identified by BULLET (•) symbol listed BELOW and other safety precautions, may result in serious personal injury.

- **Do not allow familiarity gained from frequent use of your miter saw to become commonplace.** Always remember that a careless fraction of a second is sufficient to inflict severe injury.
- **THINK SAFETY!** SAFETY IS A COMBINATION OF OPERATOR'S COMMON SENSE, KNOWLEDGE OF THE SAFETY AND OPERATING INSTRUCTIONS AND ALERTNESS AT ALL TIMES WHEN THE MITER SAW IS BEING USED.

**WARNING** THE WARNINGS SHOWN BELOW CAN BE FOUND ON YOUR TOOL. THESE WARNINGS ARE ONLY A CONDENSED FORM OF THE MORE DETAILED SAFETY RULES AND PRECAUTIONS THAT APPEAR IN YOUR OWNER'S MANUAL. THEY SERVE AS A REMINDER OF ALL SAFETY RULES NEEDED FOR SAFE OPERATION OF THIS MITER SAW.



**DESIGNATED DANGER ZONE. AVOID POSITIONING HANDS, FINGERS OR ARMS IN THE AREA DESIGNATED BY THIS SYMBOL.**

**WARNING** USE PROPER WORKPIECE SUPPORT TO MAINTAIN SAFE HAND DISTANCE DURING ALL CUTS. VERIFY SAFE WORKPIECE HOLDING DISTANCE FROM THE BLADE BY MARKING A DRY-RUN BEFORE CUTTING.

**ADVERTENCIA** UTILICE UN SOPORTE APROPIADO PARA LA PIEZA DE TRABAJO CON EL FIN DE MANTENER UNA DISTANCIA SEGURA DE LAS MANOS DURANTE TODOS LOS CORTES. VERIFIQUE QUE LA DISTANCIA DE SUjecION DE LA PIEZA DE TRABAJO RESPECTO A LA HOJA ES SEGURA HACIENDO UNA PASADA DE PRUEBA ANTES DE CORTAR.

**AVERTISSEMENT** UTILISEZ UN SUPPORT APPROPRIÉ POUR L'OUVRAGE AFIN DE MAINTENIR UNE DISTANCE SANS DANGER ENTRE LA MAIN ET L'OUTIL PENDANT TOUTES LES COUPES. VÉRIFIEZ QUE LA DISTANCE ENTRE LA LAME ET LA MAIN QUI TIENT L'OUVRAGE NE POSE PAS DE DANGER EN EFFECTUANT UNE PASSE À VIDE AVANT DE COUPER RÉELLEMENT.

**SKILSAW 3821** 0121005mm) COMPOUND MITER SAW 120V - 60Hz 15A n<sub>c</sub> 4500/min RPM

**WARNING** To reduce risk of injury, user must read instruction manual.

• Wear eye, hearing and respiratory protection. • Use saw blade rated 4500/min or greater. • Disconnect saw from power source before servicing or changing blade. • Do not use saw without functioning guard system. If guard doesn't operate smoothly, have it serviced. After changing blade return guard to operating position. • Never reach around or in the back of the saw blade. • Hold or clamp workpiece against base and fence. Never perform any operation freehand. • Keep hands a safe distance from saw blade. Always keep outside of No-Hands zone. • Do not Cross-Hand cut. Never place your hands or arms across the projected saw blade path. With motor OFF, make a Dry-Run to be aware of the blade's reach. • For bevel or compound cutting, adjust sliding fence clear of blade path and guard system. • After turning saw OFF, keep saw in the down position and wait for blade to stop before removing cutoff pieces or changing settings. • To avoid electrical shock, do not expose to rain or use in damp locations. • When servicing use only identical replacement parts.

**AVERTISSEMENT** Pour réduire le risque de blessure, lire le mode d'emploi. • Utiliser une protection oculaire, auditive et respiratoire. • Utiliser une lame homologuée pour 4500 coups/min ou plus. • Débrancher la scie avant de l'entretenir ou de changer la lame. • Ne pas utiliser la scie sans système de protection en état de marche. Si le dispositif de protection ne fonctionne pas correctement, le faire réparer. Après un changement de lame, remettre le dispositif de protection en position de fonctionnement. • Ne jamais passer le bras de l'autre côté ou à l'arrière de la lame de scie. • Maintenir ou fixer la pièce à travailler contre une base ou un guide. Ne jamais effectuer d'opération à main libre. • Garder les mains à une distance sûre de la lame de scie. Toujours rester hors de la zone "Pas de mains". • Ne pas couper en face de la main. Ne jamais placer la main ou le bras dans le trajet prévu de la lame. Le moteur à l'ARRÊT, simuler un trajet sans couper pour vérifier la portée de la lame. • Pour une coupe en biseau ou de composé, régler le guide coulissant hors du trajet de la lame et du dispositif de protection. • Après l'ARRÊT de la scie, garder la scie en position basse et attendre que la lame s'arrête avant de retirer les pièces découpées ou de changer de réglage. • Afin d'éviter une décharge électrique, ne pas exposer à la pluie ni utiliser dans des endroits humides. • En cas de réparation, n'utiliser que des pièces de rechange identiques.

**ADVERTENCIA** Para reducir el riesgo de lesiones, el usuario debe leer el manual de instrucciones. • Use protección de los ojos, de la audición y protección respiratoria. • Use una hoja de sierra con capacidad nominal de 4500/min o mayor. • Desconecte la sierra de la fuente de energía antes de realizar servicio de ajustes y reparaciones o de cambiar la hoja. • No use la sierra si el sistema del protector no funciona correctamente. Si el protector no funciona con suavidad, haga que le den servicio de ajustes y reparaciones. Después de cambiar la hoja, regrese el protector a la posición de funcionamiento. • No ponga nunca las manos alrededor de la hoja de sierra ni detrás de ella. • Fije o sujete con abrazaderas la pieza de trabajo contra la base y el tope-guía. No realice nunca operaciones a pulso. • Mantenga las manos a una distancia segura de la hoja de sierra. Manténgalas siempre fuera de la zona de "manos no". • No corte transversalmente a las manos. Nunca ponga las manos o los brazos en la trayectoria proyectada de la hoja de sierra. Con el motor en la posición de apagado, haga una pasada de prueba para comprobar el alcance de la hoja. • Para realizar cortes en bisel o compuestos, ajuste el tope-guía deslizando de manera que no esté en la trayectoria de la hoja y no interfiera con el sistema del protector. • Después de apagar la sierra, manténgala en la posición hacia abajo y espere a que la hoja se detenga antes de retirar las piezas cortadas o cambiar los ajustes. • Para evitar las descargas eléctricas, no exponga la herramienta a la lluvia ni la utilice en lugares húmedos. • Cuando haga servicio de ajustes y reparaciones de la herramienta, utilice únicamente piezas de repuesto idénticas.

• AVOID EXPOSURE - LASER RADIATION IS EMITTED FROM THIS APERTURE.  
• EVITE LA EXPOSICIÓN, DESDE ESTA ABERTURA SE EMITE RADIACIÓN LASER.  
• ÉVITER L'EXPOSITION - RAYONNEMENT LASER ÉMIS PAR CETTE OUVERTURE.

**PELIGRO** RADIACIÓN LASER - EVITE LA EXPOSICIÓN DIRECTA DE LOS OJOS  
**DANGER** LASER RADIATION - AVOID DIRECT EYE EXPOSURE  
WAVELENGTH: 600 nm  
Pulse Output: 5 mW  
**DANGER** RAYONNEMENT LASER - ÉVITER D'Y EXPOSER DIRECTEMENT LES YEUX  
COMPLÈS INTÉ FEA  
21CFR101.10 AND 1040.11

**AVERTISSEMENT** Avant de mettre l'outil en marche, lisez attentivement le manuel d'instructions. • Évitez l'exposition à la radiation laser. • Ne jamais placer les mains ou les bras dans le trajet prévu de la lame. • Ne pas effectuer d'opération à main libre. • Lire attentivement le manuel d'instructions.

**WARNING** Before switching tool on, make a DRY-RUN to see that clamp bars are clear and head is locked. If it does not then see manual for further instructions.

**ADVERTENCIA** Antes de poner la herramienta en marcha, lea el manual de instrucciones. • Evite la exposición a la radiación láser. • No ponga nunca las manos o los brazos en la trayectoria proyectada de la hoja de sierra. • No corte transversalmente a las manos. Nunca ponga las manos o los brazos en la trayectoria proyectada de la hoja de sierra. Con el motor en la posición de apagado, haga una pasada de prueba para comprobar el alcance de la hoja. • Para realizar cortes en bisel o compuestos, ajuste el tope-guía deslizando de manera que no esté en la trayectoria de la hoja y no interfiera con el sistema del protector. • Después de apagar la sierra, manténgala en la posición hacia abajo y espere a que la hoja se detenga antes de retirar las piezas cortadas o cambiar los ajustes. • Para evitar las descargas eléctricas, no exponga la herramienta a la lluvia ni la utilice en lugares húmedos. • Cuando haga servicio de ajustes y reparaciones de la herramienta, utilice únicamente piezas de repuesto idénticas.

"SAVE THESE INSTRUCTIONS"

## Safety

**WARNING** "READ ALL INSTRUCTIONS" — Failure to follow the SAFETY RULES identified by BULLET (•) symbol listed BELOW and other safety precautions, may result in serious personal injury.

### Connection to a Power Source

#### Double Insulated Tools

Double insulation is a design concept used in electric power tools which eliminates the need for the three wire grounded power cord and grounded power supply system. It is a recognized and approved system by Underwriter's Laboratories, CSA and Federal OSHA authorities.

**WARNING** Servicing of a tool with double insulation requires care and knowledge of the system and should be performed only by a qualified service technician.

**WARNING** WHEN SERVICING, USE ONLY IDENTICAL REPLACEMENT PARTS.

**WARNING** POLARIZED PLUGS. To reduce the risk of electrical shock, your tool is equipped with a polarized plug (one blade is wider than the other), this plug will fit in a polarized outlet only one way. If the plug does not fit, reverse the plug. If it still does not fit, contact a qualified electrician to install the proper outlet. To reduce the risk of electrical shock, do not change the plug in any way.

### Extension Cords

**WARNING** Replace damaged cords immediately. Use of damaged cords can shock, burn or electrocute.

**WARNING** If an extension cord is necessary, a cord with adequate size conductors should be used to prevent excessive voltage drop, loss of power or overheating. The table shows the correct size to use, depending on cord length and nameplate amperage rating of tool. If in doubt, use the next heavier gauge. Always use U.L. and CSA listed extension cords.

RECOMMENDED SIZES OF EXTENSION CORDS  
120 VOLT ALTERNATING CURRENT TOOLS

Tool's Ampere Rating	Cord Size in A.W.G.				Wire Sizes in mm <sup>2</sup>			
	Cord Length in Feet				Cord Length in Meters			
	25	50	100	150	15	30	60	120
3-6	18	16	16	14	.75	.75	1.5	2.5
6-8	18	16	14	12	.75	1.0	2.5	4.0
8-10	18	16	14	12	.75	1.0	2.5	4.0
10-12	16	16	14	12	1.0	2.5	4.0	—
12-16	14	12	—	—	—	—	—	—

NOTE: The smaller the gauge number, the heavier the cord.

"SAVE THESE INSTRUCTIONS"

### Maximum Cutting Capacities

Miter Angle / Bevel Angle	dimensional lumber		actual sizes			
	inches		inches		centimeters	
	height	width	height	width	height	width
0 / 0	Maximum Height	4 x 6	3-1/2	5-1/2	8.9	14.0
0 / 0	Maximum Width	2 x 8	1-1/2	7-1/4	3.8	18.4
45 / 0	Maximum Height	4 x 4	3-1/2	3-1/2	8.9	8.9
45 / 0	Maximum Width	2 x 6	1-1/2	5-1/2	3.8	14.0
0 / 45		2 x 8	1-1/2	7-1/4	3.8	18.4
45 / 45		2 x 6	1-1/2	5-1/2	3.8	14.0
45L / 0	Base Molding Against Fence		5 inch*		12.7 cm	
31.6 / 33.9	Crown laying flat			6-1/2 inch		16.5 cm

\*On left side only. See page 67 for details

## Table of Contents

	Page		Page
<b>Safety</b> .....	2-6	Preparing to Lift the Saw .....	45
General Safety Rules for Benchtop Tools .....	2-3	Lift the Saw by Top Carry Handle .....	45
Safety Rules for Miter Saws.....	3-6	<b>Installation</b> .....	46
<b>Maximum Cutting Capacities</b> .....	6	Mounting Applications .....	47,49
<b>Table of Contents</b> .....	7	Mounting to Stand .....	49
<b>Electrical Requirements</b> .....	7	<b>Basic Saw Operations</b> .....	51-60
<b>Laser Warnings</b> .....	8	Switch Activation .....	51
<b>Getting to Know your Miter Saw</b> .....	9-10	Body and Hand Position.....	53
<b>Assembly</b> .....	25-35	Workpiece Support.....	55, 57
Tools needed for Assembly and Alignment.....	29	Table Extension.....	59
Unpacking and Checking Contents .....	31	<b>Saw Operations</b> .....	61-74
Installation of Miter Lock Knob .....	31	Miter Cut .....	61
Removal & Installation of the Blade .....	33	Bevel Cut .....	63
Assembling Dust Bag .....	35	Compound Cuts .....	65
<b>Adjustments</b> .....	37-43	Base Molding .....	67
Blade square to Table (90°) .....	37	Cutting Crown Molding.....	67,70
Blade 45° to Table .....	39	Special Cuts.....	73
Blade Square to Fence.....	41	<b>Maintenance and Lubrication</b> .....	75,77
Laser Cutline™ .....	43	<b>Troubleshooting</b> .....	79
<b>Transporting</b> .....	45		

## Electrical Requirements

1. Connect this saw to a 120V, 15-amp branch circuit with a 15-amp time delay fuse or circuit breaker. Using the wrong size fuse can damage the motor.
2. Fuses may “blow” or circuit breakers may trip frequently if motor is overloaded. Overloading can occur if you feed the blade into the workpiece too rapidly or start and stop too often in a short time.
3. Most motor troubles may be traced to loose or incorrect connections, overload, low voltage (such as small size wire in the supply circuit or to overly long supply circuit wire). Always check the connections, the load and the supply circuit whenever motor does not work well.

### Electric Brake

Your saw is equipped with an automatic electric brake which is designed to stop the blade from spinning in about ten (10) seconds after you release the trigger switch. It is useful when making certain cuts in wood where a coasting blade would result in a wide, imprecise cut.

**⚠ WARNING** When electrical power is lost due to blown fuse or other causes, the motor will gradually slow down and the braking action is initiated ONLY by the release of the trigger switch.

The electric blade brake of your miter saw has been designed for highest degree of reliability, but unexpected circumstances such as contamination on the commutator and brushes or failure of motor’s components can cause the brake not to activate. If this condition occurs, turn the saw “ON” and “OFF” four to five times without contacting the workpiece. If the tool operates but the brake does not consistently stop the blade in about ten (10) seconds, DO NOT use saw and have it serviced immediately.

**⚠ WARNING** The brake action of this saw is not intended as a safety feature. Remember to let the saw blade come to a complete stop before removing from the workpiece. As always the guard system is your best protection against unintentional contact with a spinning saw blade. NEVER wedge open or defeat the closing action of the lower guard.

## Laser Warnings

**⚠ DANGER** **LASER RADIATION. AVOID DIRECT EYE EXPOSURE. DO NOT stare into the laser light source. Never aim light at another person or object other than the workpiece.** Laser light can damage your eyes.

**⚠ WARNING** **DO NOT use tinted glasses to enhance the laser light.** Tinted glasses will reduce overall vision for the application and interfere with the normal operation of the tool.

**⚠ WARNING** **Never aim the beam at a workpiece with a reflective surface.** Bright shiny reflective sheet steel or similar reflective surfaces are not recommended for laser use. Reflective surfaces could direct the beam back toward the operator.

**⚠ CAUTION** Use of controls or adjustments or performance of procedures other than those specified herein may result in hazardous radiation exposure.

**⚠ WARNING** The use of optical instruments with this product will increase eye hazards.

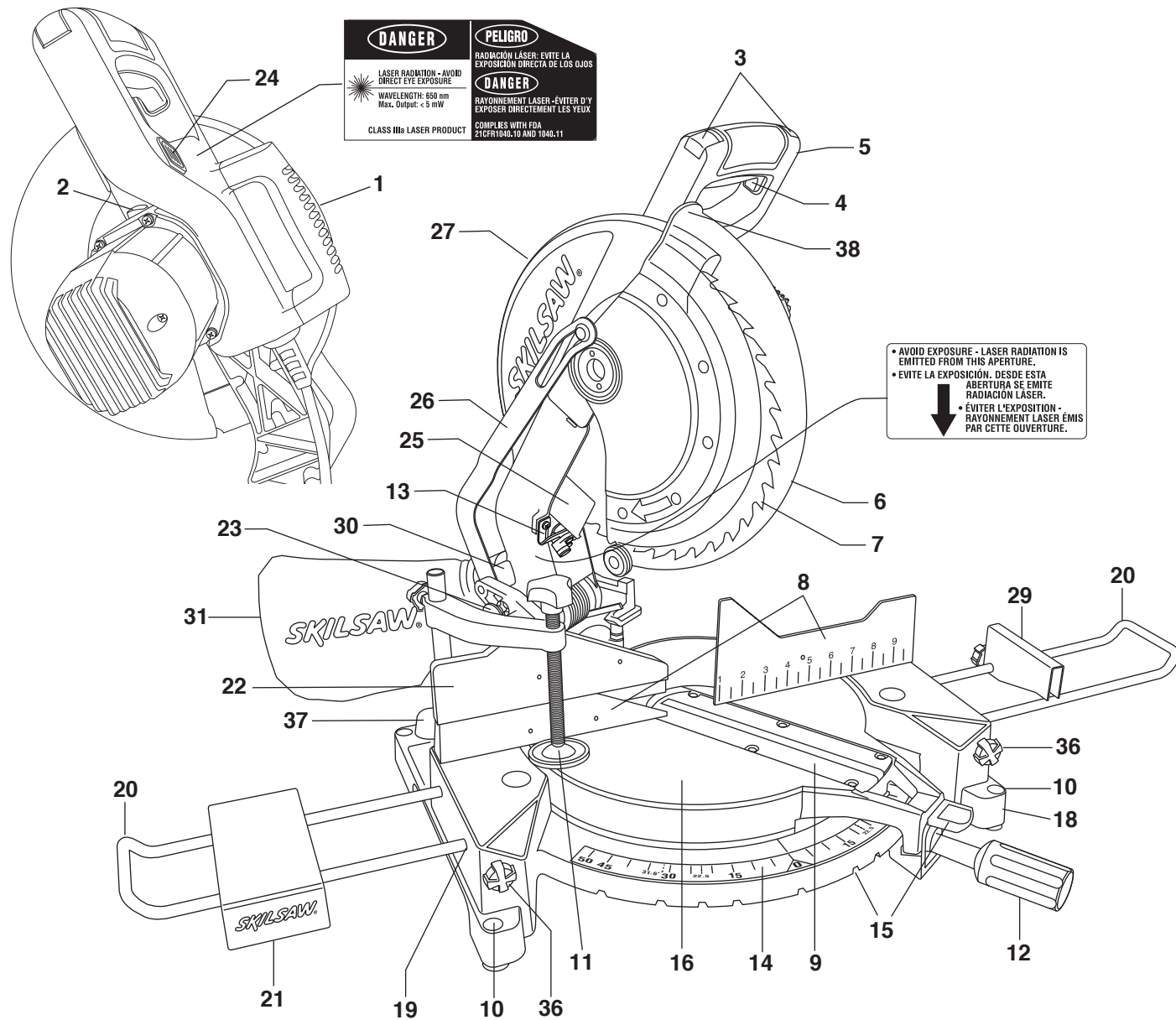
The laser light guide is a class IIIA laser with a maximum output power of 5.0 mWatts and conforms to 21 CFR 1040.10 and 1040.11.



- AVOID EXPOSURE - LASER RADIATION IS EMITTED FROM THIS APERTURE.
  - EVITE LA EXPOSICIÓN. DESDE ESTA ABERTURA SE EMITE RADIACIÓN LÁSER.
- ↓
- ÉVITER L'EXPOSITION - RAYONNEMENT LASER ÉMIS PAR CETTE OUVERTURE.



# Getting To Know Your Miter Saw



**DANGER** **PELIGRO**  
 LASER RADIATION - AVOID DIRECT EYE EXPOSURE  
 WAVELENGTH: 650 nm  
 Max. Output: <math>< 5 \text{ mW}</math>  
 CLASS IIIa LASER PRODUCT

**DANGER**  
 RADIACION LASER: EVITE LA EXPOSICION DIRECTA DE LOS OJOS  
 RAYONNEMENT LASER - EVITER D'Y EXPOSER DIRECTEMENT LES YEUX  
 COMPLES WITH FDA 21CFR1040.10 AND 1040.11

• AVOID EXPOSURE - LASER RADIATION IS EMITTED FROM THIS APERTURE.  
 • EVITE LA EXPOSICION. DESDE ESTA ABERTURA SE EMITE RADIACION LASER.  
 • EVITER L'EXPOSITION - RAYONNEMENT LASER ÉMIS PAR CETTE OUVERTURE.

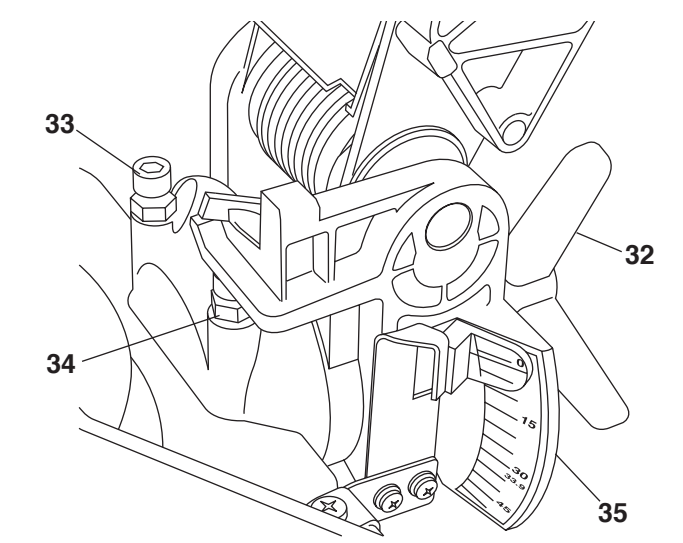
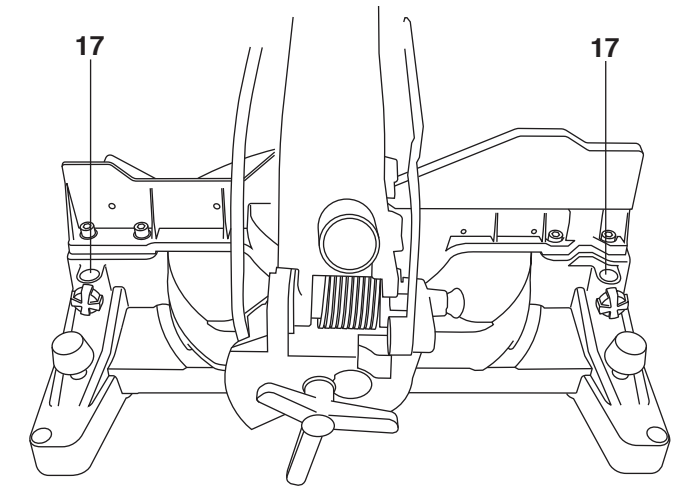
**WARNING** To avoid injury from accidental starting, remove plug from power source outlet before making any adjustments.

- 1. Carrying Handle**  
This handle is built into the head assembly for transportation.
- 2. Arbor Lock**  
Allows the user to keep the blade from rotating while tightening or loosening arbor screw during blade replacement or removal.
- 3. Lock-Off Switch**  
The left or right hand ambidextrous switch must be pressed to activate the power switch.

- 4. Switch**  
The power switch used with the ambidextrous switch energizes the unit.
- 5. Switch Handle**  
This handle contains the switch. The blade is lowered into the workpiece by pushing/pulling down on the handle.
- 6. Lower Blade Guard**  
The lower blade guard helps protect your hands from the spinning blade. It retracts as the blade is lowered.
- 7. Blade**  
Use only 12" blades with 1" arbor hole.

- 8. Fence**  
Supports the workpiece. The fence has a cast in scale to make repetitive cuts easy. The fence also has holes which are used to secure an auxiliary fence if desired.
- 9. Kerf Insert**  
Minimizes workpiece tear-out.
- 10. Tool Mounting Pads**  
Four areas to clamp, bolt or nail the saw to a flat work surface.
- 11. Vertical Clamp**  
Provides fast clamping of workpiece.
- 12. Miter Lock Knob**  
The miter lock knob locks the miter saw table at any desired miter angle.
- 13. Laser Cutline™**  
Your miter saw is equipped with a laser cut line to help identify where the blade will contact the workpiece.
- 14. Miter Scale**  
This scale allows you to read the miter angles easily.
- 15. Miter Detents and Miter Detent Lock lever**  
There are nine (9) miter detents for fast and accurate miter cuts of common miter angles.
- 16. Table**  
Sits in base, provides workpiece support, rotates for desired miter cuts and rotates the head assembly.
- 17. Vertical Clamp Positions**  
There are two (2) positions in the base for the workpiece clamp.
- 18. Base**  
Provides working surface to support workpiece.
- 19. Accessory Extension Holes**  
Machined holes that accept the extension rail.
- 20. Extension Rails**  
Rails used to support long workpieces and table extension.
- 21. Table Extension**  
This provides extra support and clamping area.
- 22. Sliding Fence**  
Provides maximum height support for the workpiece and slides to left for easy compound cuts.
- 23. Lock Pin**  
The compound miter saw is equipped with a lock pin used to lock the head assembly in the lower position.
- 24. Laser On/Off Switch**  
Turns the laser alignment system on and off.
- 25. Chip Deflector**  
This protects against large chips from entering the upper guard.
- 26. Lower Guard Actuation Link**  
Allows for smooth movement of the lower guard.
- 27. Upper Blade Guard**  
Covers upper portion of the blade.
- 28. Hex Wrench**  
Used for tightening/loosening blade and adjusting fence. Hex wrench is stored in the back of the sliding fence.
- 29. Stop Block**  
Stop block can be used to make repetitive length cuts.

- 30. Dust Port**  
The dust port can accommodate the dust bag or a 1-1/4" vacuum hose hookup.
- 31. Dust Collection Bag**  
Attaches to the dust elbow and collects dust to help keep work area clean.
- 32. Bevel Lock Handle**  
The bevel lock handle locks the head assembly at a desired bevel angle.
- 33. 45° Bevel Stop**  
Adjustable stop for a quick and accurate 45° bevel index.
- 34. 0° Bevel Stop**  
Adjustable stop for a quick and accurate 0° bevel index.
- 35. Bevel Scale**  
This scale allows you to read the bevel angles easily.
- 36. Extension Rail Lock Knobs**  
Locks the extension rails at desired positions.
- 37. Quick Clamp Knobs**  
Allows for fast and easy mounting to the Skil miter saw stand.
- 38. Lower Guard Lip**  
Lip can be used to raise the lower guard when guard becomes jammed on a workpiece.



**FOR CONTINUATION OF ENGLISH SEE PAGE 31**

## Sécurité

**AVERTISSEMENT** « LISEZ TOUTES LES INSTRUCTIONS » — L'utilisateur qui négligerait de suivre les CONSIGNES DE SÉCURITÉ précédées d'un point noir (•) ci-dessous et de prendre d'autres précautions élémentaires risquerait de subir de graves blessures.

### Consignes générales de sécurité pour les outils d'établi

#### Zone de travail

- **Gardez la zone de travail propre et bien éclairée.** Les établis encombrés et les endroits sombres invitent les accidents.
- **N'utilisez pas les outils électriques en atmosphères explosives, comme en présence de poussière, de gaz ou de liquides inflammables.** Les outils électriques créent des étincelles qui peuvent enflammer la poussière ou les vapeurs.
- **Gardez les spectateurs, les enfants et les visiteurs à l'écart lorsque vous utilisez un outil électrique.** Les distractions peuvent vous faire perdre le contrôle.
- **Rangez les outils inutilisés hors de portée des enfants et autres personnes sans formation à cet égard.** Les outils sont dangereux entre les mains d'utilisateurs non formés.
- **Ne laissez pas l'outil en marche, sans surveillance, mettez hors tension.** Ne laissez pas l'outil avant qu'il soit à l'arrêt complet.
- **RENDEZ L'ATELIER À L'ÉPREUVE DES ENFANTS** à l'aide de cadenas ou d'interrupteurs principaux, ou en retirant les clés du démarreur.

#### Sécurité électrique

- **Avant de brancher l'outil à une prise de courant, assurez-vous que la tension fournie correspond, à 10 % près, à celle spécifiée sur la plaque signalétique.** Une tension de sortie incompatible avec celle spécifiée sur la plaque signalétique risque de blesser sérieusement l'utilisateur sans mentionner l'endommagement de l'outil.
- **Évitez tout contact corporel avec les surfaces mises à la terre telles que tuyaux, radiateurs, cuisinières et réfrigérateurs.** Ces surfaces posent un risque accru de secousses électriques si votre corps est mis à la terre.
- **N'exposez pas les outils électriques à la pluie ou à l'humidité.** L'eau pénétrant dans un outil électrique augmentera le risque de secousses électriques.
- **N'abusez pas du cordon. N'utilisez jamais le cordon pour transporter les outils et ne tirez pas la fiche d'une prise. Tenez le cordon à l'écart de la chaleur, de l'huile, des arêtes vives ou des pièces mobiles. Remplacez les cordons abîmés immédiatement.** Les cordons abîmés augmentent le risque de secousses électriques.

- **Lorsque vous utilisez un outil électrique à l'extérieur, utilisez un cordon de rallonge pour service extérieur marqué « W-A » ou « W ».** Ces cordons sont prévus pour usage extérieur et réduisent le risque de secousses électriques.

#### Sécurité personnelle

- **Demeurez vigilant, surveillez ce que vous faites et faites preuve de discernement en utilisant un outil électrique.** Un moment d'inattention ou la prise de drogues, d'alcool ou de médicaments peut s'avérer dangereux durant l'utilisation d'un outil électrique.
- **Portez des vêtements convenables. Ne portez pas de vêtements amples ni de bijoux. Pour les cheveux longs, nous conseillons le port d'un serre-tête. Tenez les cheveux, les vêtements et les gants à l'écart des pièces mobiles. Les vêtements amples, les bijoux ou les cheveux longs risquent de s'accrocher dans les pièces mobiles.** Roulez les manches longues au-dessus du coude. Le port de gants en caoutchouc et de chaussures à semelle antidérapante est recommandé si vous travaillez à l'extérieur.
- **Évitez la mise en marche accidentelle. Assurez-vous que l'interrupteur est à l'arrêt avant de brancher.** Le transport de l'outil avec le doigt sur l'interrupteur ou le branchement d'outils dont l'interrupteur est à la position de marche invite les accidents.
- **Enlevez les clés de réglage et autres clés avant de mettre l'outil en marche.** Une clé qui est laissée fixée à une pièce rotative de l'outil sera projetée.
- **Travaillez avec aplomb et équilibre à tout moment, ce qui aide à mieux contrôler l'outil dans les cas imprévus.**
- **Ne montez pas sur l'outil ni sur son support.** Des blessures graves peuvent être causées en cas de basculement de l'outil ou de contact accidentel avec l'outil de coupe. Ne conservez pas de matériaux sur ou à proximité de l'outil de sorte qu'il soit nécessaire de monter sur l'outil ou son support pour les atteindre.
- **Utilisez l'équipement de sécurité. Portez toujours des lunettes à coques latérales.** Un masque anti-poussière, des chaussures de sécurité, un casque dur ou des protège-oreilles doivent être utilisés si la situation l'exige. Les lunettes de tous les jours comportent uniquement des verres résistant aux chocs. Ce NE SONT PAS des lunettes de sécurité.

« CONSERVEZ CES INSTRUCTIONS »

## Sécurité

**AVERTISSEMENT** « LISEZ TOUTES LES INSTRUCTIONS » — L'utilisateur qui négligerait de suivre les CONSIGNES DE SÉCURITÉ précédées d'un point noir (•) ci-dessous et de prendre d'autres précautions élémentaires risquerait de subir de graves blessures.

### Utilisation et entretien de l'outil

- **Utilisez des pinces ou autre façon pratique d'assujettir et de supporter l'ouvrage à une plate-forme stable.** Tenir l'ouvrage à la main ou contre son corps n'assure pas la stabilité voulue. L'ouvrage peut ainsi se déplacer, faire gripper l'outil et vous faire perdre le contrôle de l'outil.
- **Ne forcez pas l'outil. Utilisez l'outil convenant à votre application.** L'outil convenable exécutera le travail plus efficacement et plus sûrement à la vitesse à laquelle il est conçu. N'utilisez pas l'outil à une fin autre que celle à laquelle il est prévu — ainsi, n'utilisez pas la scie à onglet pour trancher les viandes.
- **N'utilisez pas l'outil si l'interrupteur ne le met pas en marche et à l'arrêt.** Tout outil qui ne peut être commandé par l'interrupteur est dangereux.
- **Débranchez la fiche de la prise de courant avant d'effectuer tout réglage ou de changer les accessoires.** Ces mesures préventives réduisent le risque d'une mise en marche accidentelle.
- **Gardez les outils de coupe affilés et propres.** Des outils bien entretenus, avec tranchants affilés, sont moins susceptibles de gripper et plus faciles à contrôler. Lorsque vous montez des lames de scie, assurez-vous que la flèche de la lame correspond au sens de la flèche marquée sur l'outil et que les dents pointent également dans le même sens.
- **Inspectez les protecteurs avant d'utiliser un outil. Gardez les protecteurs en place. Vérifiez si les pièces mobiles grippent ou tout autre état pouvant influencer sur le fonctionnement normal ou les fonctions de sécurité de l'outil. Si l'outil est abîmé, faites-le réparer avant de l'utiliser.** Beaucoup d'accidents sont causés par des outils mal entretenus.
- **Ne modifiez pas l'outil et n'en faites pas un usage inapproprié.** Toute altération ou modification constitue un usage inapproprié et peut causer des blessures graves.
- **L'utilisation de tout autre accessoire non précisé dans ce manuel peut créer un danger.** Les accessoires qui peuvent être adéquats pour un type d'outil peuvent devenir dangereux lorsqu'ils sont utilisés sur un outil inapproprié.

### Réparation

- **L'outil ne doit être réparé que par des techniciens de réparation qualifiés.** Les réparations ou l'entretien effectués par des personnes non qualifiées peuvent résulter en un positionnement erroné de composants et de fils internes, ce qui peut provoquer des dangers sérieux.
- **N'utilisez que des pièces de rechange identiques pour réparer un outil. Suivez les consignes contenues dans la section Entretien de ce manuel.** L'utilisation de pièces non autorisées ou le non-respect des consignes d'entretien peut être dangereux.

« CONSERVEZ CES INSTRUCTIONS »



## Sécurité

**AVERTISSEMENT** « LISEZ TOUTES LES INSTRUCTIONS » — L'utilisateur qui négligerait de suivre les CONSIGNES DE SÉCURITÉ précédées d'un point noir (•) ci-dessous et de prendre d'autres précautions élémentaires risquerait de subir de graves blessures.

- **N'introduisez pas l'ouvrage dans la lame et ne coupez d'aucune manière à « main libre ».** L'ouvrage doit être fixe et cramponné ou serré par votre main. La scie doit être insérée à travers l'ouvrage doucement et à une vitesse qui ne surchargera pas le moteur de la scie.
- **Coupez un seul ouvrage à la fois.** Les ouvrages multiples ne peuvent être cramponnés ou serrés adéquatement, et ils peuvent gripper sur la lame ou se déplacer durant la coupe.
- **Assurez-vous que la scie à onglet est montée ou placée sur une surface de travail ferme et à niveau avant de l'utiliser.** Une surface de travail ferme et à niveau réduit le risque d'instabilité de la scie à onglet.
- **Planifiez votre travail.** Obtenez des accessoires de support adéquats tels que tables, chevalets de scieur, rallonge de table, etc. pour les ouvrages plus larges ou plus longs que le dessus de la table (voir page 48, 50 et 56). Les ouvrages plus longs ou plus larges que la table de la scie à onglet peuvent basculer s'ils ne sont pas supportés adéquatement. Si la pièce tronçonnée ou l'ouvrage bascule, il peut lever le protecteur inférieur ou être projeté par la lame en rotation.
- **N'utilisez pas une autre personne en remplacement d'une rallonge de table ou comme support supplémentaire.** Un support instable de l'ouvrage peut faire gripper la lame ou déplacer l'ouvrage durant la coupe, tirant ainsi votre assistant et vous-même dans la lame en rotation.
- **La pièce tronçonnée ne doit pas être bloquée contre la lame de scie en rotation ni être pressée par aucun autre moyen contre celle-ci.** Si elle est captive, en utilisant des butées de longueur, par exemple, elle pourrait être coincée contre la lame et être projetée violemment.
- **Utilisez toujours un serre-joints ou un dispositif conçu de manière à supporter adéquatement les matériaux ronds tels que les goujons ou les tubes.** Les goujons ont tendance à rouler pendant qu'on les coupe, ce qui amène la lame à « mordre » et tire l'ouvrage et votre main dans la lame.
- **En coupant des ouvrages de forme irrégulière, planifiez votre travail de manière à ce que l'ouvrage ne glisse pas et ne vienne pas pincer la lame, pour être ensuite tiré de votre main.** Une pièce de moulure doit ainsi être posée à plat et être tenue par un dispositif ou une monture qui l'empêchera de tordre, basculer ou glisser pendant la coupe.
- **Laissez la lame atteindre une vitesse maximum avant de la mettre en contact avec l'ouvrage.** Ceci aidera à éviter la projection d'ouvrages.
- **Si l'ouvrage ou la lame se bloque ou se coince, mettez la scie à onglet à l'arrêt en relâchant l'interrupteur. Attendez que toutes les pièces mobiles s'arrêtent et débranchez la scie à onglet avant de libérer les matériaux coincés.** Le fait de continuer à scier avec l'ouvrage coincé pourrait entraîner une perte de contrôle ou des dommages à la scie à onglet composée.
- **La tête de scie est secouée vers le bas sous l'effet de l'action de freinage de la scie. Soyez prêt à cette réaction** en pratiquant une coupe incomplète ou en relâchant l'interrupteur avant que la tête ne soit complètement descendue.
- **Après avoir terminé la coupe, relâchez l'interrupteur, tenez le bras de la scie en bas et attendez que la lame s'arrête avant de retirer l'ouvrage ou la pièce tronçonnée. Si la lame ne s'arrête pas dans un délai de dix (10) secondes, débranchez la scie et suivez les consignes apparaissant dans la section Dépannage. IL EST DANGEREUX D'INSÉRER LA MAIN SOUS UNE LAME EN TRAIN DE S'IMMOBILISER.**
- **N'utilisez pas de lame de scie indiquée pour un fonctionnement à moins de 4 500/mn (tr/mn)**

**AVERTISSEMENT** Les travaux à la machine tel que ponçage, sciage, meulage, perçage et autres travaux du bâtiment peuvent créer des poussières contenant des produits chimiques qui sont des causes reconnues de cancer, de malformation congénitale ou d'autres problèmes reproductifs. Ces produits chimiques sont, par exemple :

- Le plomb provenant des peintures à base de plomb,
- Les cristaux de silices provenant des briques et du ciment et d'autres produits de maçonnerie, et
- L'arsenic et le chrome provenant des bois traités chimiquement

Le niveau de risque dû à cette exposition varie avec la fréquence de ces types de travaux. Pour réduire l'exposition à ces produits chimiques, il faut travailler dans un lieu bien ventilé et porter un équipement de sécurité approprié tel que certains masques à poussière conçus spécialement pour filtrer les particules microscopiques.

- **Il existe des consignes de sécurité supplémentaires pour les opérations particulières de la scie dans la section relative au fonctionnement. Lisez le reste du manuel pour une utilisation sûre de la scie.**

« CONSERVEZ CES INSTRUCTIONS »

## Sécurité

**AVERTISSEMENT** « LISEZ TOUTES LES INSTRUCTIONS » — L'utilisateur qui négligerait de suivre les CONSIGNES DE SÉCURITÉ précédées d'un point noir (!) ci-dessous et de prendre d'autres précautions élémentaires risquerait de subir de graves blessures.

- **Ne laissez pas la familiarité tirée d'une utilisation fréquente de votre scie à onglet atténuer votre vigilance.** N'oubliez jamais qu'une fraction de seconde d'insouciance suffit à causer des blessures graves.
- **PENSEZ EN TERMES DE SÉCURITÉ. LA SÉCURITÉ EST UNE COMBINAISON DE BON SENS, DE CONNAISSANCE DES CONSIGNES DE SÉCURITÉ ET DE FONCTIONNEMENT, ET DE VILIGANCE CONSTANTE DE LA PART DE L'OPÉRATEUR LORS DE L'UTILISATION DE LA SCIE À ONGLET.**

**AVERTISSEMENT** LES AVERTISSEMENTS CI-APRÈS SE TROUVENT SUR VOTRE OUTIL. CES AVERTISSEMENTS NE SONT QU'UNE FORME CONDENSÉE DES RÈGLES ET PRÉCAUTIONS DE SÉCURITÉ PLUS DÉTAILLÉES QUI APPARAISSENT DANS VOTRE MANUEL. ELLES SERVENT À VOUS RAPPELER TOUTES LES RÈGLES DE SÉCURITÉ NÉCESSAIRES À UNE UTILISATION SÛRE DE CETTE SCIE À ONGLET.



**ZONE DÉSIGNÉE DE DANGER. ÉVITER DE PLACER LES MAINS, LES DOIGTS OU LES BRAS DANS LA ZONE DÉSIGNÉE PAR CE SYMBOLE.**

**WARNING** USE PROPER WORKPIECE SUPPORT TO MAINTAIN SAFE HAND DISTANCE DURING ALL CUTS. VERIFY A SAFE WORKPIECE HOLDING DISTANCE FROM THE BLADE BY MAKING A DRY RUN BEFORE CUTTING.

**ADVERTENCIA** UTILICE UN SOPORTE APROPIADO PARA LA PIEZA DE TRABAJO CON EL FIN DE MANTENER UNA DISTANCIA SEGURA DE LAS MANOS DURANTE TODOS LOS CORTES. VERIFIQUE QUE LA DISTANCIA DE SUELECCIÓN DE LA PIEZA DE TRABAJO RESPECTO A LA HOJA ES SEGURA HACIENDO UNA PASADA DE PRUEBA ANTES DE CORTAR.

**AVERTISSEMENT** UTILISEZ UN SUPPORT APPROPRIÉ POUR L'OUVRAGE AFIN DE MANTENIR UNE DISTANCE SANS DANGER ENTRE LA MAIN ET L'OUTIL PENDANT TOUTES LES COUPES. VÉRIFIEZ QUE LA DISTANCE ENTRE LA LAME ET LA MAIN QUI TIENS L'OUVRAGE NE POSS PAS DE DANGER EN EFFECTUANT UNE PASSE À VIDE AVANT DE COUPER RÉELLEMENT.

**SKILSAW** 3821  
F012382100  
cULus  
Robert Bosch Tool Corp.,  
Mount Prospect, IL  
Made in China

0121(305mm) COMPOUND MITER SAW  
120V ~ 50Hz 15A 6/4500/min (RPM)  
LISTED  
T10224  
110224

**WARNING** To reduce risk of injury, user must read instruction manual.

• Wear eye, hearing and respiratory protection. • Use saw blade rated 4500/min or greater. • Disconnect saw from power source before servicing or changing blade. • Do not use saw without functioning guard system. If guard doesn't operate smoothly, have it serviced. After changing blade return guard to operating position. • Never reach around or in the back of the saw blade. • Hold or clamp workpiece against base and fence. Never perform any operation freehand. • Keep hands a safe distance from saw blade. Always keep outside of No-Hands zone. • Do not Cross-Hand cut. Never place your hands or arms across the projected saw blade path. With motor OFF, make a Dry-Run to be aware of the blade's reach. • For bevel or compound cutting, adjust sliding fence clear of blade path and guard system. • After turning saw OFF, keep saw in the down position and wait for blade to stop before removing cut-off pieces or changing settings. • To avoid electrical shock, do not expose to rain or use in damp locations. • When servicing use only identical replacement parts.

**AVERTISSEMENT** Pour réduire le risque de blessure, lire le mode d'emploi. • Utiliser une protection oculaire, auditive et respiratoire. • Utiliser une lame homologuée pour 4500 coups/min ou plus. • Débrancher la scie avant de l'entretenir ou de changer la lame. • Ne pas utiliser la scie sans système de protection en état de marche. Si le dispositif de protection ne fonctionne pas correctement, la faire réparer. Après un changement de lame, remettre le dispositif de protection en position de fonctionnement. • N'atteindre pas le bras de l'autre côté ou à l'arrière de la lame de scie. • Maintenir ou fixer la pièce à travailler contre une base ou un guide. Ne jamais effectuer d'opération à main libre. • Garder les mains à une distance sûre de la lame de scie. Toujours rester hors de la zone Pas de mains. • Ne pas couper en face de la main. Ne jamais placer la main ou le bras dans le trajet prévu de la lame. Le moteur à l'ARRÊT, simuler un trajet sans couper pour vérifier la portée de la lame. • Pour une coupe en biais ou de composé, régler la queue coulissante hors du trajet de la lame et du dispositif de protection. • Après l'ARRÊT de la scie, garder la scie en position basse et attendre que la lame s'arrête avant de retirer les pièces découpées ou de changer de réglage. • Afin d'éviter une décharge électrique, ne pas exposer à la pluie ni utiliser dans des endroits humides. • En cas de réparation, n'utiliser que des pièces de rechange identiques.

**ADVERTENCIA** Para reducir el riesgo de lesiones, el usuario debe leer el manual de instrucciones. • Use protección de los ojos, de la audición y protección respiratoria. • Use una hoja de sierra con capacidad nominal de 4500/mn o mayor. • Desconecte la sierra de la fuente de energía antes de realizar servicio de ajustes y reparaciones o de cambiar la hoja. • No use la sierra si el sistema del protector no funciona correctamente. Si el protector no funciona con suavidad, haga que le den servicio de ajustes y reparaciones. Después de cambiar la hoja, regrese el protector a la posición de funcionamiento. • No punga nunca las manos alrededor de la hoja de sierra ni detrás de ella. • Fije o sujete con abrazaderas la pieza de trabajo contra la base y el tope-guía. No realice nunca operaciones a pulso. • Mantenga las manos a una distancia segura de la hoja de sierra. Manténgalas siempre fuera de la zona de "manos no". • No corte transversalmente a las manos. Nunca punga las manos o los brazos en la trayectoria proyectada de la hoja de sierra. Con el motor en la posición de paro, haga una pasada de prueba para comprobar el alcance de la hoja. • Para realizar cortes en bisel o compuestos, ajuste el tope-guía deslizante de manera que no esté en la trayectoria de la hoja y no interfiera con el sistema del protector. • Después de apagar la sierra, manténgala en la posición hacia abajo y espere a que la hoja se detenga antes de retirar las piezas cortadas o cambiar los ajustes. • Para evitar las descargas eléctricas, no exponga la herramienta a la lluvia ni la utilice en lugares húmedos. • Cuando haga servicio de ajustes y reparaciones de la herramienta, utilice únicamente piezas de repuesto idénticas.

• AVOID EXPOSURE - LASER RADIATION IS EMITTED FROM THIS APERTURE.  
• EVITE LA EXPOSICIÓN. DESDE ESTA ABERTURA SE EMITE RADIACIÓN LASER.  
• ÉVITER L'EXPOSITION - RAYONNEMENT LASER ÉMIS PAR CETTE OUVERTURE.

**DANGER** PELIGRO  
LASER RADIATION - AVOID EXPOSURE DIRECTLY TO THE BEAMS  
WAVELENGTH: 650 nm  
Mtd. Output: < 5 mW  
CLASS IIB LASER PRODUCT

**PELIGRO**  
RADIACIÓN LASER - EVITE LA EXPOSICIÓN DIRECTA A LOS OJOS  
**DANGER**  
RAYONNEMENT LASER - ÉVITER D'Y EXPOSER DIRECTEMENT LES YEUX  
COMPLIÉZ WITH FOM 104011

**WARNING** Do not touch the tool in the VARIO area secured by the clamp clear guard and head assembly. If it does not then see manual for further instructions.

**ADVERTENCIA** Antes de armar la herramienta, haga una PASADA EN VARIO para asegurarse de que la zedera no toque el conjunto de protector y cabezal. Si no lo toca, consulte el manual para obtener instrucciones adicionales.

**AVERTISSEMENT** Avant de mettre l'outil en circuit et de le bloquer, vérifiez que la zedera ne touche pas le système de protection et le montage de la tête. Si elle ne le touche pas, consultez le mode d'emploi pour plus d'informations.


« CONSERVEZ CES INSTRUCTIONS »

## Sécurité

**AVERTISSEMENT** « LISEZ TOUTES LES INSTRUCTIONS » — L'utilisateur qui négligerait de suivre les CONSIGNES DE SÉCURITÉ précédées d'un point noir (•) ci-dessous et de prendre d'autres précautions élémentaires risquerait de subir de graves blessures.

### Branchement à une source d'alimentation

#### Double isolation

La double isolation  est utilisée dans les outils électriques pour éliminer le besoin de cordon d'alimentation avec prise de terre et de dispositif d'alimentation à prise de terre. Elle est homologuée par l'Underwriter's Laboratories, l'ACNOR et l'OSHA.

**AVERTISSEMENT** L'entretien d'un outil à double isolation exige la connaissance du système et la compétence d'un technicien qualifié.

**AVERTISSEMENT** EN CAS D'ENTRETIEN, N'UTILISEZ QUE DES PIÈCES DE RECHANGE IDENTIQUES.

**AVERTISSEMENT** FICHES POLARISÉES. Pour réduire le risque de chocs électriques, votre outil est équipé d'une fiche polarisée (une lame plus large que l'autre) elle ne s'enfiche que d'une manière dans une prise polarisée. Si la fiche n'entre pas à fond dans la prise, tournez-la d'un demi-tour. Si elle refuse encore d'entrer, demandez à un électricien qualifié d'installer une prise appropriée. Pour réduire le risque de chocs électriques, ne modifiez la fiche d'aucune façon.

## Rallonges

**AVERTISSEMENT** Remplacez immédiatement toute rallonge endommagée. L'utilisation de rallonges endommagées risque de provoquer un choc électrique, des brûlures ou l'électrocution.

**AVERTISSEMENT** En cas de besoin d'une rallonge, utilisez un cordon de calibre satisfaisant pour éviter toute chute de tension, perte de courant ou surchauffe. Le tableau ci-contre indique le calibre des rallonges recommandées en fonction de leur longueur et de l'intensité indiquée sur la plaque du constructeur de l'outil. En cas de doute, optez pour le prochain calibre inférieur. Utilisez toujours des rallonges homologuées par l'U.L. et l'ACNOR.

#### DIMENSIONS DE RALLONGES RECOMMANDÉES OUTILS 120 VOLTS COURANT ALTERNATIF

Intensité nominale de l'outil	Longueur en pieds				Longueur en mètres			
	Calibre A.W.G.				Calibre en mm <sup>2</sup>			
	25	50	100	150	15	30	60	120
3-6	18	16	16	14	.75	.75	1.5	2.5
6-8	18	16	14	12	.75	1.0	2.5	4.0
8-10	18	16	14	12	.75	1.0	2.5	4.0
10-12	16	16	14	12	1.0	2.5	4.0	—
12-16	14	12	—	—	—	—	—	—

REMARQUE : Plus le calibre est petit, plus le fil est gros.

« CONSERVEZ CES INSTRUCTIONS »

## Capacités de coupe maximale

Angle d'onglet / Angle de biseau		bois de construction de dimensions courantes		dimensions réelles			
		pouces		pouces		centimètres	
		hauteur	largeur	hauteur	largeur	hauteur	largeur
0 / 0	Hauteur maximum	4 x 6		3-1/2	5-1/2	8.9	14.0
0 / 0	Largeur maximum	2 x 8		1-1/2	7-1/4	3.8	18.4
45 / 0	Hauteur maximum	4 x 4		3-1/2	3-1/2	8.9	8.9
45 / 0	Largeur maximum	2 x 6		1-1/2	5-1/2	3.8	14.0
0 / 45		2 x 8		1-1/2	7-1/4	3.8	18.4
45 / 45		2 x 6		1-1/2	5-1/2	3.8	14.0
45L / 0	Moulure de base contre le guide			5 pouces*		12.7 cm	
31.6 / 33.9	Couronne posée à plat			6-1/2 pouces		16.5 cm	

\*Du côté gauche seulement. Voir les détails à la page 68.

## Table des matières

	Page	Page
<b>Sécurité</b> .....	11-15	
Consignes générales de sécurité pour les outils d'établi .....	11-12	
Consignes de sécurité pour les scies à onglet .....	12-15	
<b>Capacités de coupe maximales</b> .....	15	
<b>Table des matières</b> .....	16	
<b>Spécifications électriques</b> .....	16	
<b>Avertissements relatifs au rayonnement laser</b> .....	17	
<b>Familiarisez-vous avec votre scie à onglet</b> .....	18-19	
<b>Assemblage</b> .....	29-38	
Outils nécessaires à l'assemblage et à l'alignement .....	29	
Ouverture de l'emballage et vérification du contenu .....	32	
Pose du bouton de blocage d'onglet .....	32	
Pose et dépose de la lame .....	34	
Assemblage du sac à poussière .....	36	
<b>Réglages</b> .....	38-44	
Lame d'équerre par rapport à la table (90°) .....	38	
Lame à 45° par rapport à la table .....	40	
Lame d'équerre par rapport au guide .....	42	
Laser Cutline™ .....	44	
<b>Transport</b> .....		46
Préparation en vue du lavage de la scie .....		46
Lavage de la scie en utilisant la poignée de transport du haut .....		46
<b>Installation</b> .....		48
Applications de montage .....		48
Montage sur un support .....		50
<b>Opérations de base de la scie</b> .....		52-60
Actionnement par l'interrupteur .....		52
Position du corps et des mains .....		54
Support de l'ouvrage .....		56
Table de rallonge .....		60
<b>Opérations de la scie</b> .....		62-74
Coupe à l'onglet .....		62
Coupe en biseau .....		64
Coupes composées .....		66
Moulures de base .....		69
Coupe de moulures en couronne .....		69-72
Coupes spéciales .....		74
<b>Maintenance et lubrification</b> .....		76-78
<b>Guide de diagnostic</b> .....		80

## Spécifications électriques

1. Branchez cette scie sur un circuit de dérivation de 120 V, 15 A avec disjoncteur ou fusible à action différée de 15 A. L'utilisation du mauvais type de fusible peut abîmer le moteur.
2. Les fusibles peuvent sauter ou les disjoncteurs peuvent se déclencher souvent si le moteur est surchargé. Il peut y avoir surcharge si vous introduisez la lame dans l'ouvrage trop rapidement ou si vous mettez en marche et à l'arrêt trop souvent dans un période brève.
3. La plupart des troubles de moteur sont attribuables à des connexions lâches ou incorrectes, à une surcharge, à une basse tension (telle que fil de petit calibre dans le circuit d'alimentation ou fil trop long de circuit d'alimentation). Vérifiez toujours les connexions, la charge et le circuit d'alimentation chaque fois que le moteur ne fonctionne pas bien.

Le frein électrique de lame de votre scie a été conçu en vue du plus haut niveau de fiabilité, mais il se peut que le frein ne soit pas actionné sous l'effet de circonstances imprévues telles que la contamination sur le commutateur et les balais ou la défaillance des composants du moteur. Dans ce cas, mettez la scie en marche et à l'arrêt quatre ou cinq fois en évitant tout contact entre la scie et le matériau. Si l'outil fonctionne mais le frein n'arrête pas uniformément la lame en environ dix (10) secondes, N'utilisez PAS la scie et faites-la réparer immédiatement.

**AVERTISSEMENT** L'action de freinage de cette scie n'est pas destinée à servir de mesure de sécurité. N'oubliez pas de laisser la lame de scie s'arrêter complètement avant de la retirer du matériau. Comme toujours, le système de protecteurs constitue la meilleure façon d'éviter le contact accidentel avec une lame de scie qui tourne. Vous ne devez JAMAIS ouvrir en forçant ni empêcher l'action de fermeture du protecteur inférieur.

### Frein électrique

Votre scie est équipée d'un frein électrique automatique qui est conçu de manière à empêcher la lame de tourner environ dix (10) secondes après que vous ayez relâché la gâchette de commande. Cette particularité est utile pour pratiquer certaines coupes dans le bois alors qu'une lame qui se déplace par inertie entraînerait une coupe large et imprécise.

**AVERTISSEMENT** Lorsqu'il y a panne de courant en raison d'un fusible grillé ou d'autres causes, le moteur ralentit progressivement et l'action de freinage est amorcée UNIQUEMENT par le relâchement de la gâchette de commande.

### Frein électrique avec interrupteurs

Lorsque les balais atteignent une longueur préalablement établie de service sous l'effet de l'usure normale, ils interrompent le courant électrique à la scie. À mesure que le courant est interrompu, le moteur vient progressivement à l'arrêt, et il ne fonctionne pas tant que les balais ne sont pas remplacés. Les balais DOIVENT être remplacés en ensemble. N'utilisez que les balais « interrupteurs » spéciaux conçus pour cette scie ; d'autres peuvent ne pas fonctionner avec l'action de freinage.



## Avertissements relatifs au rayonnement laser

**⚠ DANGER** RAYON LASER. ÉVITEZ UNE EXPOSITION DIRECTE DES YEUX. NE regardez PAS directement la source de lumière laser. Ne dirigez jamais la lumière vers autrui ou vers un objet autre que la pièce. La lumière laser risque d'abîmer les yeux.

**⚠ AVERTISSEMENT** N'utilisez PAS de lunettes teintées pour renforcer la lumière laser. Les verres teintés réduisent la visibilité générale et gênent l'utilisation normale de l'outil.

**⚠ AVERTISSEMENT** Ne dirigez jamais le faisceau vers une pièce dont la surface est réfléchissante. La tôle d'acier brillante réfléchissante ou les surfaces réfléchissantes similaires ne sont pas recommandées pour utilisation d'un laser. Les surfaces réfléchissantes risquent de rediriger le faisceau vers l'utilisateur.


<b>DANGER</b>	<b>PELIGRO</b>
LASER RADIATION - AVOID DIRECT EYE EXPOSURE	RADIACIÓN LÁSER: EVITE LA EXPOSICIÓN DIRECTA DE LOS OJOS
WAVELENGTH: 650 nm Max. Output: < 5 mW	<b>DANGER</b>
CLASS IIIa LASER PRODUCT	RAYONNEMENT LASER - ÉVITER D'Y EXPOSER DIRECTEMENT LES YEUX
	COMPLIES WITH FDA 21CFR1040.10 AND 1040.11

**⚠ MISE EN GARDE** L'utilisation de commandes ou la réalisation de réglages ou de procédures autres que celles spécifiées dans les présentes pourrait résulter en une exposition dangereuse aux rayonnements.

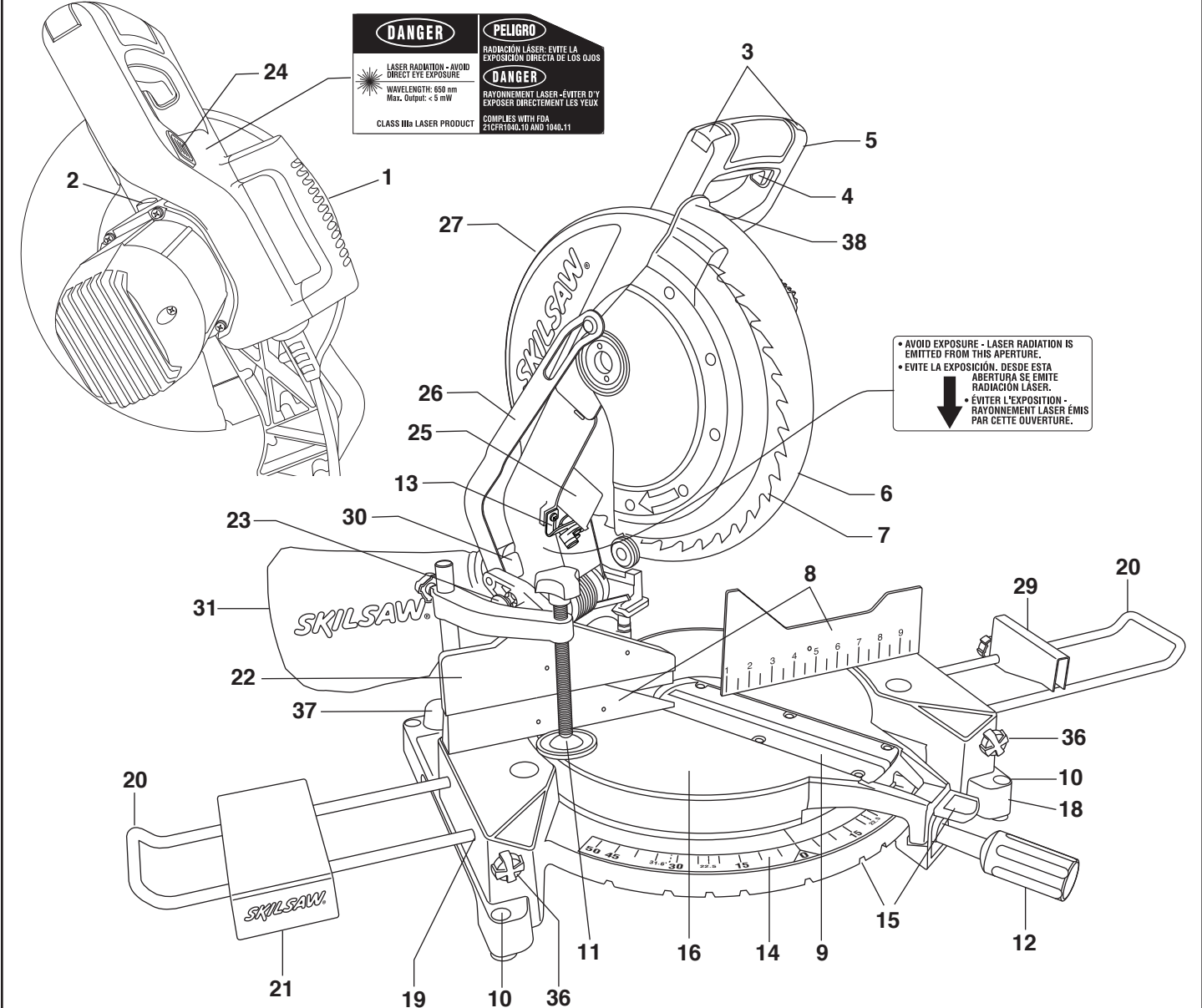
**⚠ MISE EN GARDE** L'utilisation d'instruments optiques avec ce produit augmentera les risques de problèmes oculaires.

Le laser de guidage est un laser de classe IIIA avec une puissance à la sortie maximale de 5 milliwatts. Il est conforme aux normes 21 CFR 1040.10 et 1040.11.

• AVOID EXPOSURE - LASER RADIATION IS EMITTED FROM THIS APERTURE.  
• EVITE LA EXPOSICIÓN, DESDE ESTA ABERTURA SE EMITE RADIACIÓN LÁSER.  
• ÉVITER L'EXPOSITION - RAYONNEMENT LASER ÉMIS PAR CETTE OUVERTURE.



## Familiarisez-vous avec votre scie à onglet



**⚠ AVERTISSEMENT** Pour éviter les blessures résultant d'une mise en marche accidentelle, débranchez la fiche de la prise de courant avant d'effectuer quelque réglage que ce soit.

- 1. Poignée de transport**  
Cette poignée est incorporée dans la tête pour le transport.
- 2. Blocage d'arbre**  
Permet à l'utilisateur d'empêcher la lame de tourner tout en serrant ou desserrant la vis de l'arbre durant le remplacement ou la dépose de la lame.
- 3. Interrupteur de verrouillage**  
Vous devez appuyer sur l'interrupteur ambidextre gauche ou droit pour actionner l'interrupteur général.
- 4. Interrupteur**  
L'interrupteur général utilisé avec l'interrupteur ambidextre met l'appareil sous tension.

- 5. Poignée-interrupteur**  
Cette poignée contient l'interrupteur. La lame est abaissée dans l'ouvrage en poussant/tirant la poignée vers le bas.
- 6. Protecteur inférieur de lame**  
Le protecteur inférieur de lame aide à protéger vos mains contre la lame en rotation. Il se rétracte au fur et à mesure que la lame est abaissée.
- 7. Lame**  
Utilisez uniquement des lames de 12 po avec un trou d'arbre de 1 po.
- 8. Guide**  
Supporte l'ouvrage. Le guide possède une échelle graduée incorporée pour faciliter les coupes à répétition. Le guide comporte également des trous qui servent à fixer un guide auxiliaire, si désiré.
- 9. Insert de trait de scie**  
Réduit au minimum le déchirement du matériau.

**10. Aires de montage de l'outil**

Quatre endroits pour boulonner ou clouer la scie, ou la fixer à l'aide d'une bride, sur une surface de travail plate.

**11. Serre-joint pour fixation verticale**

Permet un cramponnage rapide de l'ouvrage.

**12. Bouton de blocage d'onglet**

Le bouton de blocage d'onglet bloque la table de la scie à onglet à tout angle d'onglet désiré.

**13. Laser Cutline™**

Votre scie à onglet est équipée d'un système de projection d'un rayon laser en vue de la coupe qui aide à identifier l'endroit où la lame entrera en contact avec l'ouvrage.

**14. Échelle graduée d'onglet**

Cette échelle vous permet de lire facilement les angles d'onglet.

**15. Crans d'arrêt et levier de verrouillage des crans d'arrêt**

Il existe neuf (9) crans d'arrêt d'onglet en vue de coupes rapides et exactes d'angles courants d'onglet.

**16. Table**

Repose dans la base, supporte l'ouvrage, tourne pour coupes à onglet désirées et tourne la tête.

**17. Positions de fixation verticale**

Il existe deux (2) positions derrière le guide pour la fixation de l'ouvrage.

**18. Base**

Assure une surface de travail pour supporter l'ouvrage.

**19. Trous pour l'accessoire de prolongement**

Trous usinés pouvant recevoir le rail de prolongement.

**20. Rails de prolongement**

Rails utilisés pour soutenir de longs ouvrages et une rallonge de table.

**21. Table de rallonge**

Cette rallonge fournit un support additionnel et une surface de fixation supplémentaire.

**22. Guide à glissière**

Assure un support de hauteur maximum pour l'ouvrage et glisse vers la gauche afin de faciliter les coupes combinées.

**23. Cheville de blocage**

La scie à onglet composée est pourvue d'une cheville de blocage servant à bloquer la tête en position abaissée.

**24. Interrupteur Marche/Arrêt du laser**

Active et désactive le système d'alignement laser.

**25. Déflecteur de copeaux**

Ce déflecteur empêche les gros copeaux de pénétrer dans le protecteur supérieur.

**26. Raccord d'actionnement du protecteur inférieur**

Permet un mouvement en douceur du protecteur inférieur.

**27. Protecteur supérieur de lame**

Couvre la partie supérieure de la lame.

**28. Clé hexagonale**

Sert à serrer/desserrer la lame et à ajuster le guide. La clé hexagonale se range à l'arrière du guide à glissière.

**29. Verrouillage de la butée**

Le système de verrouillage de la butée peut être utilisé pour faire des coupes longitudinales répétées.

**30. Orifice de dépolluissage**

L'orifice de dépolluissage est compatible avec le sac à poussière ou avec un raccord pour tuyau d'aspirateur de 1 1/4 po.

**31. Sac de collecte de poussière**

Se fixe au coude de poussière et ramasse la poussière pour aider à maintenir l'aire de travail propre.

**32. Poignée de blocage de biseau**

La poignée de blocage de biseau bloque la tête à l'angle de biseau désiré.

**33. Butée de biseau de 45°**

Butée réglable pour un repère rapide et exact de biseau de 45°.

**34. Butée de biseau de 0°**

Butée réglable pour un repère rapide et exact de biseau de 0°.

**35. Échelle graduée de biseau**

Cette échelle vous permet de lire facilement les angles de biseau.

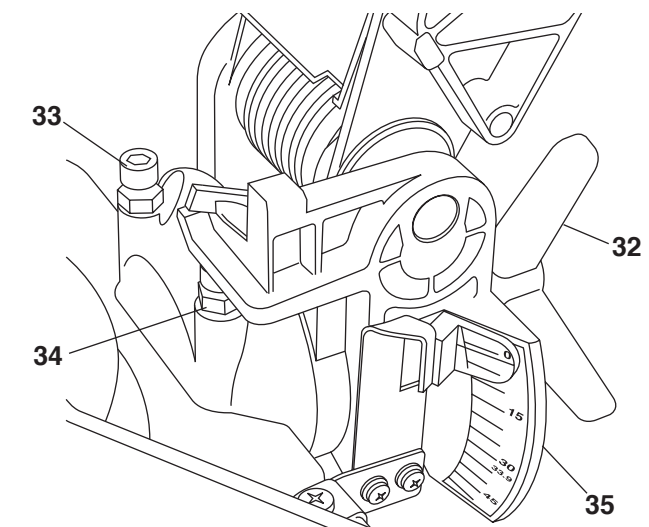
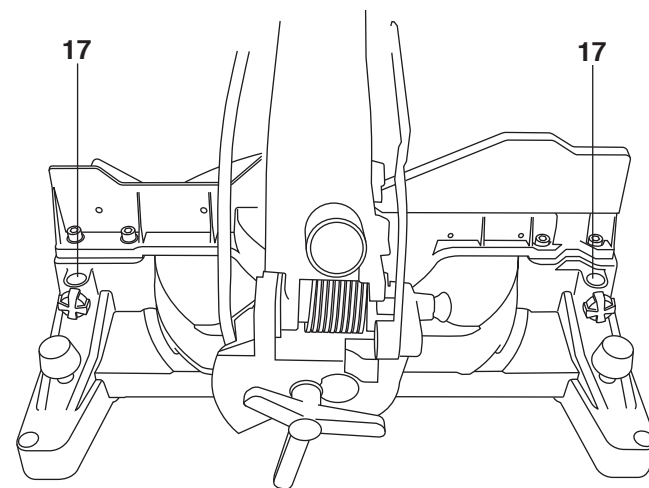
**36. Boutons de verrouillage du rail de rallonge**

Ces boutons verrouillent les rails de rallonge aux endroits désirés.

**37. Boutons de serrage rapide des brides de fixation** — Permettent le montage rapide et facile en la base de support pour sierras pour couper inglétes Skil.

**38. Rebord de protecteur inférieur**

Le rebord peut être utilisé pour lever le protecteur inférieur lorsque le protecteur se coince sur un ouvrage.



**POUR CONTINUATION DU FRANÇAIS, REPORTEZ-VOUS À LA PAGE 30.**

## Seguridad



**ADVERTENCIA** "LEA TODAS LAS INSTRUCCIONES". El incumplimiento de las NORMAS DE SEGURIDAD identificadas por el símbolo del PUNTO NEGRO (•) que se indican A CONTINUACION y otras precauciones de seguridad puede dar lugar a lesiones personales graves.

### Normas generales de seguridad para herramientas para tablero de banco

#### Area de trabajo

- **Mantenga limpia y bien iluminada el área de trabajo.** Los bancos desordenados y las áreas oscuras invitan a que se produzcan accidentes.
- **No utilice herramientas mecánicas en atmósferas explosivas, tales como las existentes en presencia de líquidos, gases o polvos inflamables.** Las herramientas mecánicas generan chispas y éstas pueden dar lugar a la ignición del polvo o los vapores.
- **Mantenga alejadas a las personas que se encuentren presentes, a los niños y a los visitantes mientras esté utilizando una herramienta mecánica.** Las distracciones pueden hacerle perder el control.
- **Guarde las herramientas que no esté usando fuera del alcance de los niños y otras personas no capacitadas.** Las herramientas son peligrosas en las manos de los usuarios no capacitados.
- **No deje desatendida la herramienta en marcha. Apáguela.** No deje la herramienta hasta que se haya detenido por completo.
- **HAGA EL TALLER A PRUEBA DE NIÑOS** con candados, interruptores maestros o quitando las llaves de arranque.

#### Seguridad eléctrica

- **Antes de enchufar la herramienta, asegúrese de que la tensión del tomacorriente es compatible con la tensión especificada en la placa del fabricante dentro de un margen del 10%.** Una tensión del tomacorriente incompatible con la que se especifica en la placa del fabricante puede dar como resultado peligros graves y daños a la herramienta.
- **Evite el contacto del cuerpo con las superficies conectadas a tierra, tales como tuberías, radiadores, estufas de cocina y refrigeradores.** Hay mayor riesgo de que se produzcan sacudidas eléctricas si su cuerpo está conectado a tierra.
- **No exponga las herramientas mecánicas a la lluvia ni a situaciones húmedas.** La entrada de agua en una herramienta mecánica aumentará el riesgo de que se produzcan sacudidas eléctricas.
- **No abuse del cordón. Nunca use el cordón para llevar las herramientas ni tire de él para desconectarlo del tomacorriente.** Mantenga el cordón alejado del calor, el aceite, los bordes afilados o las piezas móviles. **Cambie los cordones dañados inmediatamente.** Los cordones dañados aumentan el riesgo de que se produzcan sacudidas eléctricas.

**"CONSERVE ESTAS INSTRUCCIONES"**



## Seguridad

**ADVERTENCIA** "LEA TODAS LAS INSTRUCCIONES". El incumplimiento de las NORMAS DE SEGURIDAD identificadas por el símbolo del PUNTO NEGRO (•) que se indican A CONTINUACION y otras precauciones de seguridad puede dar lugar a lesiones personales graves.

### Utilización y cuidado de las herramientas

- **Utilice abrazaderas u otro modo práctico de fijar y soportar la pieza de trabajo en una plataforma estable.** La sujeción de la pieza de trabajo con la mano o contra el cuerpo resulta inestable. Permite que la pieza de trabajo se desplace y cause atasco de la herramienta y pérdida de control.
- **No fuerce la herramienta. Use la herramienta correcta para la aplicación que desea.** La herramienta correcta hará el trabajo mejor y con más seguridad a la capacidad nominal para la que está diseñada. No utilice la herramienta para propósitos para los que no está diseñada. Por ejemplo, no use la sierra para cortar ingletes para trocear metales.
- **No utilice la herramienta si el interruptor no la enciende o apaga.** Cualquier herramienta que no se pueda controlar con el interruptor es peligrosa.
- **Desconecte el enchufe de la fuente de energía antes de hacer cualquier ajuste o de cambiar accesorios.** Estas medidas de seguridad preventivas reducen el riesgo de arrancar la herramienta accidentalmente.
- **Mantenga las herramientas de corte afiladas y limpias.** Es menos probable que las herramientas mantenidas adecuadamente, con bordes de corte afilados, se atasquen, y son más fáciles de controlar. Al montar hojas de sierra, asegúrese de que la flecha de la hoja coincida con el sentido de la flecha marcada en la herramienta y de que los dientes también estén orientados en el mismo sentido.
- **Inspeccione los protectores antes de usar una herramienta. Mantenga los protectores en su sitio. Compruebe si las piezas móviles se atascan o si existe cualquier otra situación que pueda afectar el funcionamiento normal o los dispositivos de seguridad de la herramienta. Si la herramienta se daña, haga que realicen servicio de ajustes y reparaciones antes de usarla.** Muchos accidentes son causados por herramientas mal mantenidas.
- **No altere ni haga uso incorrecto de la herramienta.** Cualquier alteración o modificación constituye un uso incorrecto y puede dar lugar a lesiones personales graves.
- **La utilización de cualquier otro accesorio no especificado en este manual puede constituir un peligro.** Los accesorios que pueden ser adecuados para un tipo de herramienta pueden resultar peligrosos cuando se utilizan en una herramienta inadecuada.

### Servicio

- **El servicio de ajustes y reparaciones de una herramienta debe ser realizado únicamente por personal de reparaciones**

**competente.** El servicio o mantenimiento realizado por personal no competente puede tener como resultado una colocación incorrecta de los cables y componentes internos que podría causar un peligro grave.

- **Al realizar servicio de ajustes y reparaciones de una herramienta, utilice únicamente piezas de repuesto idénticas. Siga las instrucciones que figuran en la sección Mantenimiento de este manual.** El uso de piezas no autorizadas o el incumplimiento de las instrucciones de Mantenimiento puede constituir un peligro.

### Normas de seguridad para sierras para cortar ingletes

- **Use abrazaderas para soportar la pieza de trabajo siempre que sea posible. Si soporta la pieza de trabajo con la mano, siempre debe mantener la mano fuera del área de "No tocar con la mano" según se marca con un símbolo en la base. No use esta sierra para cortar piezas que sean demasiado pequeñas para fijarlas firmemente con abrazaderas.** Si coloca la mano dentro de la región de "No tocar con la mano", ésta puede resbalar o experimentar tracción hacia la hoja.
- **No ponga ninguna mano detrás de la hoja de sierra tras el tope-guía para sujetar o soportar la pieza de trabajo, quitar desechos de madera ni por cualquier otra razón.** Puede que la proximidad de la mano a la hoja de sierra que gira no sea obvia, y sin embargo usted puede resultar lesionado gravemente.
- **Nunca atraviese la mano sobre la línea de corte prevista.** Es muy peligroso soportar la pieza de trabajo "con las manos cruzadas", es decir, sujetando el lado izquierdo de la pieza de trabajo con la mano derecha.
- **Desconecte siempre el cable de alimentación de la fuente de alimentación antes de transportar la sierra para cortar ingletes. Desenchufe el cable de alimentación, baje el ensamblaje del cabezal y bloquéelo en su sitio acoplado el pasador de fijación. Utilice el mango de transporte incluido en la parte de arriba del brazo de la sierra y una de las indentaciones de mano ubicadas en la base de la sierra.**
- **Las sierras para cortar ingletes están diseñadas principalmente para cortar madera o productos parecidos a la madera y no se pueden usar con ruedas de corte abrasivas para cortar material ferroso tal como barras, varillas, espigas, etc. Sin embargo, si corta materiales como aluminio u otros materiales no ferrosos, utilice únicamente hojas de sierra recomendadas específicamente para el corte de metales no ferrosos.** El corte de materiales ferrosos genera un exceso de chispas, dañará el protector inferior y sobrecargará el motor.

"CONSERVE ESTAS INSTRUCCIONES"

## Seguridad

**ADVERTENCIA** "LEA TODAS LAS INSTRUCCIONES". El incumplimiento de las NORMAS DE SEGURIDAD identificadas por el símbolo del PUNTO NEGRO (•) que se indican A CONTINUACION y otras precauciones de seguridad puede dar lugar a lesiones personales graves.

- **Inspeccione la pieza de trabajo antes de cortar. Si la pieza de trabajo está arqueada o combada, fíjela con el lado arqueado exterior orientado hacia el tope-guía. Asegúrese siempre de que no haya espacio libre entre la pieza de trabajo, el tope-guía y la mesa a lo largo de la línea de corte.** Las piezas de trabajo arqueadas o combadas pueden torcerse u oscilar y pueden causar atasco en la hoja de sierra que gira durante el corte. Además, asegúrese de que no haya clavos ni objetos extraños en la pieza de trabajo.
- **No use la sierra hasta que se hayan retirado de la mesa todas las herramientas, desechos de madera, etc., excepto la pieza de trabajo.** Los desperdicios pequeños o las piezas sueltas de madera u otros objetos que hagan contacto con la hoja que gira pueden salir despedidos a alta velocidad hacia el operador.
- **No haga avanzar la pieza de trabajo hacia la hoja ni corte a pulso de ningún modo. La pieza de trabajo debe estar estacionaria y fijada con abrazaderas o sujeta con la mano.** Se debe hacer avanzar la sierra a través de la pieza de trabajo de modo suave y a una velocidad que no sobrecargue el motor de la sierra.
- **Corte únicamente una pieza de trabajo por vez.** No se pueden fijar con abrazaderas ni sujetar de modo adecuado múltiples piezas de trabajo y éstas pueden atascarse en la hoja o desplazarse durante el corte.
- **Asegúrese de que la sierra para cortar ingletes esté montada o colocada sobre una superficie de trabajo nivelada y firme antes de utilizarla.** Una superficie de trabajo nivelada y firme reduce el riesgo de que la sierra para cortar ingletes se vuelva inestable.
- **Planifique el trabajo que va a hacer. Proporcione accesorios de soporte adecuados, tales como mesas, caballetes de aserrar, extensiones de mesa, etc., para piezas de trabajo más anchas o más largas que el tablero de la mesa (vea la página 48, 50 y 56).** Las piezas de trabajo más largas o más anchas que la mesa de la sierra para cortar ingletes se pueden inclinar si no se soportan adecuadamente. Si la pieza cortada o la pieza de trabajo se inclina, puede hacer subir el protector inferior o salir despedida por acción de la hoja que gira.
- **No use a otra persona como sustituto de una extensión de mesa o como soporte adicional.** Un soporte inestable de la pieza de trabajo puede hacer que la hoja se atasque o que la pieza de trabajo se desplace durante la operación de corte, tirando de usted y del ayudante hacia la hoja que gira.
- **La pieza cortada no debe estar bloqueada contra ningún otro medio ni presionada por ningún otro medio contra la hoja de sierra que gira.** Si se confina, es decir, si se usan topes de longitud, podría quedar acunada contra la hoja y salir despedida violentamente.
- **Use siempre una abrazadera o un dispositivo de sujeción diseñado para soportar adecuadamente material redondo tal como varillas con espiga o tubos.** Las varillas tienen tendencia a rodar mientras son cortadas, haciendo que la hoja "muerda" la pieza de trabajo y tire de ésta, junto con la mano del operador, hacia la hoja.
- **Al cortar piezas de trabajo que tienen forma irregular, planifique su trabajo de modo que la pieza de trabajo no resbale y pellizque la hoja y le sea arrancada de la mano.** Por ejemplo, una pieza de moldura debe estar colocada en posición horizontal o estar sujeta por un dispositivo de sujeción o un posicionador que no permita que la pieza se tuerza, oscile o resbale mientras está siendo cortada.
- **Deje que la hoja alcance toda su velocidad antes de hacer contacto con la pieza de trabajo.** Esto ayudará a evitar que las piezas de trabajo salgan despedidas.
- **Si la pieza de trabajo o la hoja se atasca o engancha, apague la sierra para cortar ingletes soltando el interruptor. Espere a que todas las piezas móviles se detengan y desenchufe la sierra para cortar ingletes.** Luego, suelte el material atascado. El aserrado continuo de una pieza de trabajo atascada podría causar pérdida de control o daños a la sierra para cortar ingletes compuestos.
- **La acción de frenado de la sierra hace que el cabezal de la sierra dé sacudidas hacia abajo. Este preparado para esta reacción al hacer un corte incompleto o al soltar el interruptor antes de que el cabezal esté en la posición completamente hacia abajo.**
- **Después de terminar el corte, suelte el interruptor, sujete el brazo de la sierra hacia abajo y espere a que la hoja se detenga antes de retirar la pieza de trabajo o la pieza cortada. Si la hoja no se detiene al cabo de diez (10) segundos, desenchufe la sierra y siga las instrucciones que figuran en la sección Localización y reparación de averías. ¡ES PELIGROSO PONER LA MANO BAJO UNA HOJA QUE aun GIRA POR INERCIA!**
- **No utilice una hoja de sierra que tenga una capacidad nominal inferior a 4500/min (RPM).**

**ADVERTENCIA** Cierta polvos generados por el lijado, aserrado, amolado y taladrado mecánicos, y por otras actividades de construcción, contienen agentes químicos que se sabe que causan cáncer, defectos de nacimiento u otros daños sobre la reproducción. Algunos ejemplos de estos agentes químicos son:

- Plomo de pinturas a base de plomo,
- Sílice cristalina de ladrillos y cemento y otros productos de mampostería, y
- Arsénico y cromo de madera tratada químicamente.

Su riesgo por causa de estas exposiciones varía, dependiendo de cuánta frecuencia realice este tipo de trabajo. Para reducir su exposición a estos agentes químicos: trabaje en un área bien ventilada y trabaje con equipo de seguridad aprobado, como por ejemplo máscaras antipolvo que estén diseñadas especialmente para impedir mediante filtración el paso de partículas microscópicas.

- **Hay instrucciones de seguridad adicionales para operaciones específicas de la sierra en la sección de operaciones. Lea el resto del manual para informarse sobre la utilización con seguridad.**

"CONSERVE ESTAS INSTRUCCIONES"

## Seguridad

**ADVERTENCIA** "LEA TODAS LAS INSTRUCCIONES". El incumplimiento de las NORMAS DE SEGURIDAD identificadas por el símbolo del PUNTO NEGRO (•) que se indican A CONTINUACION y otras precauciones de seguridad puede dar lugar a lesiones personales graves.

- No permita que la familiarización obtenida por el uso frecuente de la sierra para cortar ingletes se vuelva algo habitual. Recuerde siempre que un descuido de una fracción de segundo es suficiente para causar una lesión grave.
- ¡PIENSE EN LA SEGURIDAD! LA SEGURIDAD ES UNA COMBINACION DE SENTIDO COMUN Y CONOCIMIENTO DE LAS INSTRUCCIONES DE SEGURIDAD Y DE FUNCIONAMIENTO POR PARTE DEL OPERADOR Y DE QUE ESTE PERMANEZCA ALERTA EN TODO MOMENTO MIENTRAS SE ESTA UTILIZANDO LA SIERRA PARA CORTAR INGLETES.

**ADVERTENCIA** LAS ADVERTENCIAS QUE SE MUESTRAN A CONTINUACION SE PUEDEN ENCONTRAR EN LA HERRAMIENTA. ESTAS ADVERTENCIAS SON SOLAMENTE UNA FORMA CONDENSADA DE LAS NORMAS Y PRECAUCIONES DE SEGURIDAD MAS DETALLADAS QUE APARECEN EN EL MANUAL DEL USUARIO. SIRVEN COMO RECORDATORIO DE TODAS LAS NORMAS DE SEGURIDAD NECESARIAS PARA LA UTILIZACION CON SEGURIDAD DE ESTA SIERRA PARA CORTAR INGLETES.



**ZONA DESIGNADA DE PELIGRO. EVITE SITUAR LAS MANOS, LOS DEDOS O LOS BRAZOS EN EL AREA DESIGNADA POR ESTE SIMBOLO.**

**WARNING** USE PROPER WORKPIECE SUPPORT TO MAINTAIN SAFE HAND DISTANCE DURING ALL CUTS. VERIFY A SAFE WORKPIECE HOLDING DISTANCE FROM THE BLADE BY MAKING A DRY RUN BEFORE CUTTING.

**ADVERTENCIA** UTILICE UN SOPORTE APROPIADO PARA LA PIEZA DE TRABAJO CON EL FIN DE MANTENER UNA DISTANCIA SEGURA DE LAS MANOS DURANTE TODOS LOS CORTES. VERIFIQUE SIEMPRE LA DISTANCIA DE SEGURIDAD DE LA PIEZA DE TRABAJO RESPECTO A LA HOJA ES SEGURA HACIENDO UNA PASADA DE PRUEBA ANTES DE CORTAR.

**AVERTISSEMENT** UTILISEZ UN SUPPORT APPROPRIÉ POUR L'OUVRAGE AFIN DE MAINTENIR UNE DISTANCE SANS DANGER ENTRE LA MAIN ET L'OUTIL PENDANT TOUTES LES COUPES. VÉRIFIEZ TOUJOURS LA DISTANCE ENTRE LA MAIN ET LA MAIN QUI TIENT L'OUVRAGE NE POSE PAS DE DANGER EN EFFECTUANT UNE PASSÉ À VIDE AVANT DE COUPER REELLEMENT.

**SKILSAW 3821** Robert Bosch Tool Corp., Mount Prospect, IL, Made in China

**WARNING** To reduce risk of injury, user must read instruction manual.

**ADVERTENCIA** Use eye, hearing and respiratory protection. Use saw blade rated 4500/min or greater. Disconnect saw from power source before servicing or changing blade. Do not use saw without functioning guard system. If guard doesn't operate smoothly, have it serviced. After changing blade return guard to operating position. Never reach around or in the back of the saw blade. Hold or clamp workpiece against base and fence. Never perform any operation fresh-cut. Keep hands a safe distance from saw blade. Always keep outside of No-Hands zone. Do not Cross-Hand out. Never place your hands or arms across the projected saw blade path. With motor OFF, make a Dry-Run to be aware of the blade's reach. For level or compound cutting, adjust sliding fence clear of blade path and guard system. After turning saw OFF, keep saw in the down position and wait for blade to stop before removing cutoff pieces or changing settings. To avoid electrical shock, do not expose to rain or use in damp locations. When servicing use only identical replacement parts.

**AVERTISSEMENT** Pour réduire le risque de blessure, lire le mode d'emploi. Utilisez une protection oculaire, auditive et respiratoire. Utilisez une lame homologuée pour 4500 coups/min ou plus. Débranchez la scie avant de l'entretenir ou de changer la lame. Ne pas utiliser la scie sans système de protection en état de marche. Si le dispositif de protection ne fonctionne pas correctement, le faire réparer. Après un changement de lame, remettre le dispositif de protection en position de fonctionnement. N'atteignez pas le bras de l'autre côté ou à l'arrière de la lame de scie. Maintenir en tout temps la pièce à travailler contre une base ou un guide. Ne jamais affecter d'opération à main libre. Garder les mains à une distance sûre de la lame de scie. Toujours rester hors de la zone Pas de mains. Ne pas couper en face de la main. Ne jamais placer la main ou le bras dans le trajet prévu de la lame. Le moteur à l'ARRÊT, simuler un trajet sans couper pour sentir la portée de la lame. Pour une coupe en biseau ou de composé, régler la guide coulissante hors du trajet de la lame et du dispositif de protection. Après l'ARRÊT de la scie, garder la scie en position basse et attendre que la lame s'arrête avant de retirer les pièces découpées ou de changer de réglage. Afin d'éviter une décharge électrique, ne pas exposer à la pluie ni utiliser dans des endroits humides. En cas de réparation, n'utiliser que des pièces de rechange identiques.

**ADVERTENCIA** Para reducir el riesgo de lesiones, el usuario debe leer el manual de instrucciones. Use protección de los ojos, de la audición y protección respiratoria. Use una hoja de sierra con capacidad nominal de 4500/min o mayor. Desconecte la sierra de la fuente de energía antes de realizar servicio de ajustes y reparaciones o de cambiar la hoja. No use la sierra si el sistema del protector no funciona correctamente. Si el protector no funciona con suavidad, haga que le den servicio de ajustes y reparaciones. Después de cambiar la hoja, regrese el protector a la posición de funcionamiento. No punte nunca las manos alrededor de la hoja de sierra ni detrás de ella. Fije o sujete con abrazaderas la pieza de trabajo contra la base y el tope-guía. No realice nunca operaciones a pulso. Mantenga las manos a una distancia segura de la hoja de sierra. Manténgalas siempre fuera de la zona de "manos no". No corte transversalmente a las manos. Nunca ponga las manos o los brazos en la trayectoria proyectada de la hoja de sierra. Con el motor en la posición de apagado, haga una pasada de prueba para comprobar el alcance de la hoja. Para realizar cortes en bisel o compuestos, ajuste el tope-guía deslizante de manera que no esté en la trayectoria de la hoja y no interfiera con el sistema del protector. Después de apagar la sierra, manténgala en la posición hacia abajo y espere a que la hoja se detenga antes de retirar las piezas cortadas o cambiar los ajustes. Para evitar las descargas eléctricas, no exponga la herramienta a la lluvia ni la utilice en lugares húmedos. Cuando haga servicio de ajustes y reparaciones de la herramienta, utilice únicamente piezas de repuesto idénticas.

• AVOID EXPOSURE - LASER RADIATION IS EMITTED FROM THIS APERTURE.  
• EVITE LA EXPOSICIÓN, DESDE ESTA ABERTURA SE EMITE RADIACIÓN LASER.  
• ÉVITER L'EXPOSITION - RAYONNEMENT LASER ÉMIS PAR CETTE OUVERTURE.

**DANGER** RADIATION LASER - EVITE LA EXPOSICIÓN DIRECTA DE LOS OJOS  
**PELIGRO** RADIACIÓN LASER - EVITE D.Y. RAYONNEMENT LASER - ÉVITER D.Y. RAYONNEMENT LASER ÉMIS PAR CETTE OUVERTURE.  
CLASS IIIb LASER PRODUCT  
21CFR101.19 AND 1040.11

**WARNING** Before switching tool on, make a DRY-RUN to see that clamp clears guard and head assembly. If it does not then see manual for further instructions.

**ADVERTENCIA** Antes de encender la herramienta, haga una PASADA EN VACÍO para asegurarse de que la abrazadera no toque el conjunto de protector y cabezal. Si no lo hace, consulte el manual para obtener instrucciones adicionales.

**AVERTISSEMENT** Avant de mettre l'outil en marche, effectuer une essai à vide pour vérifier que la serrure ne touche pas l'ensemble du mécanisme de protection et de la tête. Si ce n'est pas le cas, consultez le manuel de l'utilisateur pour plus d'informations.

"CONSERVE ESTAS INSTRUCCIONES"

## Seguridad

**ADVERTENCIA** "LEA TODAS LAS INSTRUCCIONES". El incumplimiento de las NORMAS DE SEGURIDAD identificadas por el símbolo del PUNTO NEGRO (•) que se indican A CONTINUACION y otras precauciones de seguridad puede dar lugar a lesiones personales graves.

### Conexión a una fuente de alimentación

#### Herramientas con aislamiento doble

El aislamiento doble es un concepto de diseño utilizado en las herramientas mecánicas eléctricas que elimina la necesidad de un cordón de energía de tres cables conectado a tierra y de un sistema de fuente de energía conectado a tierra. Es un sistema reconocido y aprobado por Underwriter's Laboratories, la CSA y las autoridades federales de la OSHA.

**ADVERTENCIA** El servicio de ajustes y reparaciones de una herramienta con aislamiento doble requiere cuidado y conocimiento del sistema y deberá ser realizado únicamente por un técnico de servicio competente.

**ADVERTENCIA** DURANTE EL SERVICIO DE AJUSTES Y REPARACIONES, UTILICE ÚNICAMENTE PIEZAS DE REPUESTO IDENTICAS.

**ADVERTENCIA** ENCHUFES POLARIZADOS. Para reducir el riesgo de sacudidas eléctricas, su herramienta está equipada con un enchufe polarizado (una terminal es más ancha que la otra), este enchufe entrará en un tomacorriente polarizado solamente de una manera. Si el enchufe no entra por completo en el tomacorriente, déle la vuelta. Si sigue sin entrar, póngase en contacto con un electricista competente para instalar el tomacorriente adecuado. Para reducir el riesgo de sacudidas eléctricas, no haga ningún tipo de cambio en el enchufe.

### Cordones de extensión

**ADVERTENCIA** Sustituya los cordones dañados inmediatamente. La utilización de cordones dañados puede causar "shock", quemar o electrocutar.

**ADVERTENCIA** Si se necesita un cordón de extensión, se debe utilizar un cordón con conductores de tamaño adecuado para prevenir caídas de tensión excesivas, pérdidas de potencia o sobrecalentamiento. La tabla muestra el tamaño correcto a utilizar, según la longitud del cordón y la capacidad nominal en amperios indicada en la placa del fabricante de la herramienta. En caso de duda, utilice la medida más gruesa siguiente. Utilice siempre cordones de extensión catalogados por U.L. y la CSA.

TAMAÑOS RECOMENDADOS DE CORDONES DE EXTENSION HERRAMIENTAS DE 120 V CORRIENTE ALTERNA

Capacidad nominal en amperios de la herramienta	Tamaño del cordón en A.W.G.				Tamaños del cable en mm <sup>2</sup>			
	Longitud del cordón en pies				Longitud del cordón en metros			
	25	50	100	150	15	30	60	120
3-6	18	16	16	14	.75	.75	1.5	2.5
6-8	18	16	14	12	.75	1.0	2.5	4.0
8-10	18	16	14	12	.75	1.0	2.5	4.0
10-12	16	16	14	12	1.0	2.5	4.0	—
12-16	14	12	—	—	—	—	—	—

NOTA: Cuanto más pequeño es el número de calibre, más grueso es el cordón.

"CONSERVE ESTAS INSTRUCCIONES"

### Capacidades de corte máximas

Ángulo de inglete / Ángulo de bisel	madera aserrada dimensionada		tamaños reales				
	pulgadas		pulgadas		centímetros		
	altura	anchura	altura	anchura	altura	anchura	
0 / 0	Altura máxima		4 x 6	3-1/2	5-1/2	8.9	14.0
0 / 0	Anchura máxima		2 x 8	1-1/2	7-1/4	3.8	18.4
45 / 0	Altura máxima		4 x 4	3-1/2	3-1/2	8.9	8.9
45 / 0	Anchura máxima		2 x 6	1-1/2	5-1/2	3.8	14.0
0 / 45			2 x 8	1-1/2	7-1/4	3.8	18.4
45 / 45			2 x 6	1-1/2	5-1/2	3.8	14.0
45L / 0	Moldura de base contra el tope-guía			5 inch*		12.7 cm	
31.6 / 33.9	Corona en posición plana			6-1/2 pulgadas		16.5 cm	

\*En el lado izquierdo solamente. Consulte la página 69 para obtener detalles



## Índice

	Página	Página	
<b>Seguridad</b> .....	20-24	<b>Transporte</b> .....	46
Normas generales de seguridad para herramientas para tablero de banco .....	20-21	Preparación para levantar la sierra .....	46
Normas de seguridad para sierras para cortar ingletes .....	21-24	Levante la sierra por el mango de transporte superior .....	46
<b>Capacidades de corte máximas</b> .....	24	<b>Instalación</b> .....	48
<b>Índice</b> .....	25	Aplicaciones de montaje .....	48,50
<b>Requisitos eléctricos</b> .....	25	Montaje en la base de soporte .....	50
<b>Advertencias sobre el láser</b> .....	26	<b>Operaciones básicas de la sierra</b> .....	52-61
<b>Familiarización con la sierra para cortar ingletes</b> .....	27-28	Activación del interruptor .....	52
<b>Ensamblaje</b> .....	30-37	Posición del cuerpo y de las manos .....	54
Herramientas necesarias para el ensamblaje y la alineación .....	30	Soporte de la pieza de trabajo .....	56-58
Desempaquetado y comprobación del contenido .....	32	Extensión de la mesa .....	60
Instalación del pomo de fijación de inglete .....	32	<b>Operaciones de la sierra</b> .....	61-74
Instalación y remoción de la hoja .....	34	Corte a inglete .....	62
Utilización de hojas con puntas de carburo .....	34	Corte en bisel .....	64
Ensamblaje de la bolsa para polvo .....	36	Cortes compuestos .....	66
<b>Ajustes</b> .....	38-44	Moldura de base .....	69
Hoja en ángulo recto con la mesa (90°) .....	38	Corte de moldura de techo .....	69-72
Hoja a 45° respecto a la mesa .....	40	Cortes especiales .....	74
Hoja en ángulo recto con el tope-guía .....	42	<b>Mantenimiento y lubricación</b> .....	76-78
Línea de corte Laser Cutline™ .....	44	<b>Localización y reparación de averías</b> .....	80

## Requisitos eléctricos

1. Conecte esta sierra a un circuito derivado de 120 V y 15 A con cortacircuito o un fusible de 15 amperios de acción retardada. La utilización de un fusible de tamaño incorrecto puede dañar el motor.
2. Los fusibles pueden fundirse o los cortacircuitos pueden dispararse frecuentemente si se sobrecarga el motor. La sobrecarga puede producirse si se hace avanzar la hoja por la pieza de trabajo demasiado rápido o si se arranca y se detiene demasiado frecuente en un período de tiempo corto.
3. La mayoría de los problemas del motor se pueden atribuir a conexiones flojas o incorrectas, sobrecarga, tensión baja (tal como un cable de tamaño pequeño en el circuito de alimentación o un cable del circuito de alimentación demasiado largo). Compruebe siempre las conexiones, la carga y el circuito de alimentación cuando el motor no funciona bien.

### Freno eléctrico

La sierra está equipada con un freno eléctrico automático que está diseñado para hacer que la hoja deje de girar en unos 10 segundos después que usted suelte el interruptor gatillo. Es útil al hacer ciertos cortes en madera donde una hoja que aún gire por inercia podría producir un corte ancho e impreciso.

**ADVERTENCIA** Cuando se pierda la energía eléctrica debido a que se haya fundido un fusible o a otras causas, la velocidad del motor se reducirá gradualmente y la acción de frenado se iniciará únicamente al soltar el interruptor gatillo.

El freno eléctrico de la hoja de la sierra ha sido diseñado para proporcionar el más alto grado de confiabilidad, pero circunstancias inesperadas, tales como presencia de contaminación en el conmutador y en las escobillas o avería de los componentes del motor, pueden hacer que el freno no se active. Si se produce esta situación, encienda (posición "ON") y apague (posición "OFF") la sierra cuatro o cinco veces sin entrar en contacto con la pieza de trabajo. Si la herramienta funciona pero el freno no detiene la hoja cada vez en unos 10 segundos, NO utilice la sierra y haga que se realice servicio de ajustes y reparaciones inmediatamente.

**ADVERTENCIA** La acción de frenado de esta sierra no está proyectada como dispositivo de seguridad. Recuerde dejar que la hoja de la sierra se detenga por completo antes de retirarla de la pieza de trabajo. Como siempre, el sistema de protectores constituye la mejor protección para usted contra el contacto no intencional con la hoja de sierra que gira. NUNCA ponga cuñas para mantener abierto el protector inferior ni anule la acción de cierre de dicho protector.

### Freno eléctrico con interruptores

Cuando las escobillas alcancen una longitud de servicio predeterminada debido al desgaste normal, actuarán como interruptores de corriente de la energía eléctrica suministrada a la sierra. Al interrumpirse la corriente, el motor marchará por inercia hasta detenerse y no funcionará hasta que se cambien las escobillas. Se DEBE cambiar el juego completo de escobillas. Utilice únicamente las escobillas "interruptoras" especiales diseñadas para esta sierra; es posible que otras no funcionen con la acción de frenado.

## Advertencias sobre el láser

**PELIGRO** RADIACIÓN LÁSER. EVITE LA EXPOSICIÓN DIRECTA DE LOS OJOS. No mire a la fuente de luz láser. No apunte nunca la luz hacia otra persona o hacia otro objeto que no sea la pieza de trabajo. La luz láser puede dañar los ojos.

**ADVERTENCIA** No use lentes tintados para intensificar la luz láser. Los lentes tintados reducirán la visión total para realizar la aplicación e interferirán con el funcionamiento normal de la herramienta.

**ADVERTENCIA** No apunte nunca el rayo hacia una pieza de trabajo que tenga una superficie reflectora. La chapa de acero reflectora brillante y resplandeciente o las superficies reflectoras similares no se recomiendan para usar un

láser. Las superficies reflectoras podrían dirigir el rayo de vuelta hacia el operador.

**PRECAUCIÓN** El uso de controles o ajustes, o la realización de procedimientos que no sean los que se especifican en este manual, podría causar una exposición peligrosa a la radiación.

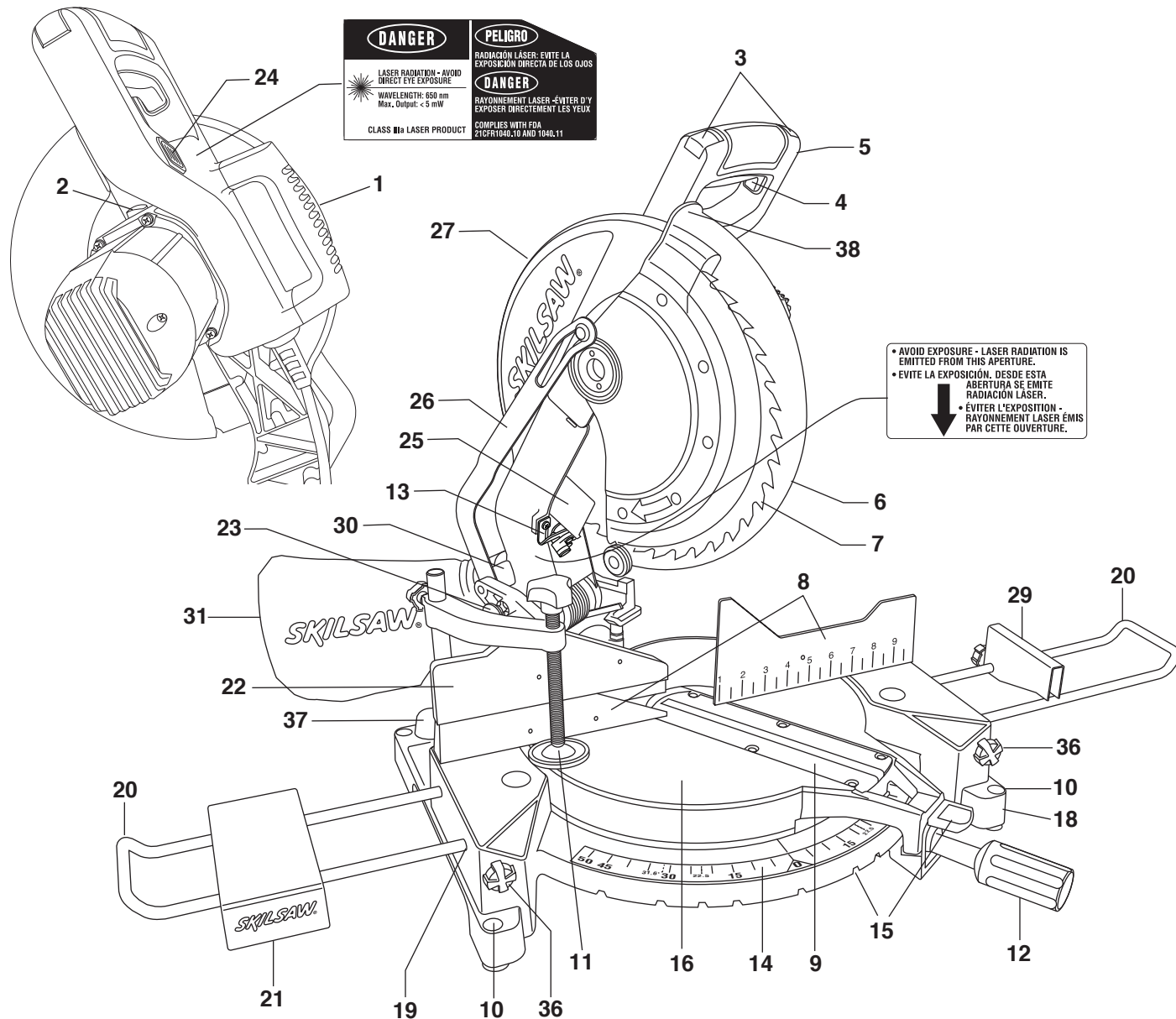
**PRECAUCIÓN** El uso de instrumentos ópticos con este producto aumentará los peligros para los ojos.

La guía de la luz láser es un láser de clase IIIA con una potencia de salida máxima de 5.0 mW y cumple con las normas 21 CFR 1040.10 y 1040.11.



- AVOID EXPOSURE - LASER RADIATION IS EMITTED FROM THIS APERTURE.
  - EVITE LA EXPOSICIÓN. DESDE ESTA ABERTURA SE EMITE RADIACIÓN LÁSER.
- ↓
- ÉVITER L'EXPOSITION - RAYONNEMENT LASER ÉMIS PAR CETTE OUVERTURE.

# Familiarización con la sierra para cortar ingletes



**ADVERTENCIA** Para evitar lesiones debidas a un arranque accidental, saque el enchufe del tomacorriente de la fuente de energía antes de hacer cualquier ajuste.

**1. Mango de transporte**

Este mango está incorporado al ensamblaje del cabezal para el transporte.

**2. Cierre del eje portaherramienta**

Permite al usuario evitar que la hoja gire mientras aprieta o afloja el tornillo del eje portaherramienta al cambiar o quitar la hoja.

**3. Interruptor de fijación en apagado**

Se debe oprimir el interruptor ambidextro, para mano izquierda o derecha, para activar el interruptor de energía.

**4. Interruptor**

El interruptor de energía se usa con el interruptor ambidextro para energizar la unidad.

**5. Mango con interruptor**

Este mango contiene el interruptor. La hoja se baja hacia la pieza de trabajo empujando/tirando hacia abajo sobre el mango.

**6. Protector inferior de la hoja**

El protector inferior de la hoja ayuda a proteger las manos del operador contra la hoja que gira. Se retrae al bajar la hoja.

**7. Hoja**

Use solamente hojas de 12" con agujero para eje portaherramienta de 1".

**8. Tope-guía**

Soporta la pieza de trabajo. El tope-guía tiene una escala fundida para hacer cortes repetitivos fácilmente. El tope-guía también tiene agujeros que se usan para fijar un tope-guía auxiliar si así se desea.

**9. Accesorio de inserción para la separación de corte**

Minimiza el desgarre de la pieza de trabajo.

**10. Almohadillas de montaje de la herramienta**

Cuatro áreas para sujetar con abrazaderas, emperrar o clavar la sierra a una superficie de trabajo plana.

**11. Abrazadera vertical**

Proporciona fijación rápida de la pieza de trabajo.

**12. Pomo de fijación de inglete**

El pomo de fijación de inglete fija la mesa de la sierra para cortar ingletes en cualquier ángulo de inglete que se desee.

**13. Línea de corte Laser Cutline™**

La sierra para cortar ingletes está equipada con una línea de corte láser para ayudar a identificar el punto donde la hoja contactará la pieza de trabajo.

**14. Escala de ingletes**

Esta escala le permite leer fácilmente los ángulos de inglete

**15. Retenes de inglete y palanca de fijación de los retenes de inglete**

Hay nueve (9) retenes de inglete para cortes a inglete rápidos y precisos de los ángulos de inglete comunes.

**16. Mesa**

Está asentada sobre la base, proporciona soporte a la pieza de trabajo, gira para realizar los cortes de inglete deseados y gira el ensamblaje del cabezal.

**17. Posiciones de la abrazadera vertical**

Hay dos (2) posiciones detrás del tope-guía para la abrazadera para la pieza de trabajo.

**18. Base**

Proporciona una superficie de trabajo para soportar la pieza de trabajo.

**19. Agujeros para la extensión accesoria**

Agujeros maquinados que aceptan el riel de extensión.

**20. Rieles de extensión**

Rieles utilizados para soportar las piezas de trabajo largas y la extensión de la mesa.

**21. Extensión de la mesa**

Esto proporciona soporte adicional y un área adicional de sujeción con abrazaderas.

**22. Tope-guía deslizante**

Suministra un soporte de altura máximo a la pieza de trabajo y se desliza hacia la izquierda para facilitar los cortes compuestos.

**23. Pasador de fijación**

La sierra para cortar ingletes compuestos está equipada con un pasador de fijación que se usa para fijar el ensamblaje del cabezal en la posición inferior.

**24. Interruptor de encendido y apagado del láser**

Enciende y apaga el sistema de alineación por láser.

**25. Deflector de virutas**

Este deflector evita que las virutas grandes entren en el protector superior.

**26. Eslabón de accionamiento del protector inferior**

Permite un movimiento suave del protector inferior.

**27. Protector superior de la hoja**

Cubre la porción superior de la hoja

**28. Llave hexagonal**

Se utiliza para apretar o aflojar la hoja y ajustar el tope-guía. La llave hexagonal se almacena en la parte trasera del tope-guía deslizante.

**29. Bloque de tope**

El bloque de tope se puede utilizar para hacer cortes de longitud repetida.

**30. Orificio para polvo**

El orificio para polvo puede acomodar la bolsa para polvo o una conexión de manguera de aspiración de 1-1/4 pulgadas.

**31. Bolsa de recogida de polvo**

Se conecta al codo para polvo y recoge el polvo para ayudar a mantener limpia el área de trabajo.

**32. Mango de fijación de bisel**

El mango de fijación de bisel fija el ensamblaje del cabezal a un ángulo de bisel deseado.

**33. Tope de bisel de 45°**

Tope ajustable para un índice de bisel de 45° rápido y preciso.

**34. Tope de bisel de 0°**

Tope ajustable para un índice de bisel de 0° rápido y preciso.

**35. Escala de biseles**

Esta escala le permite leer fácilmente los ángulos de bisel.

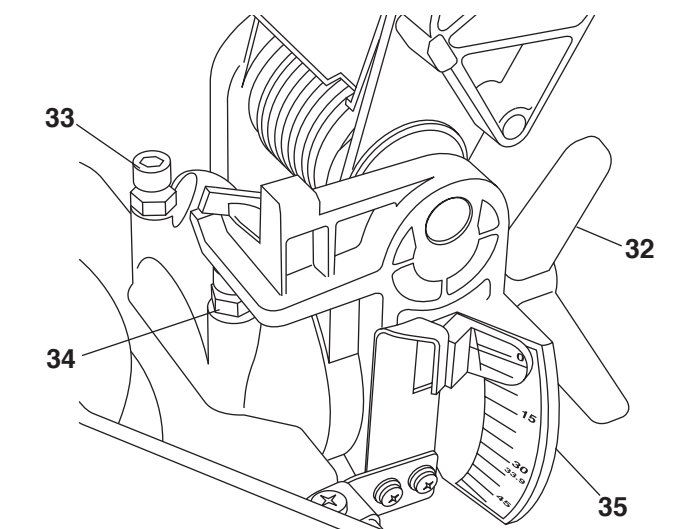
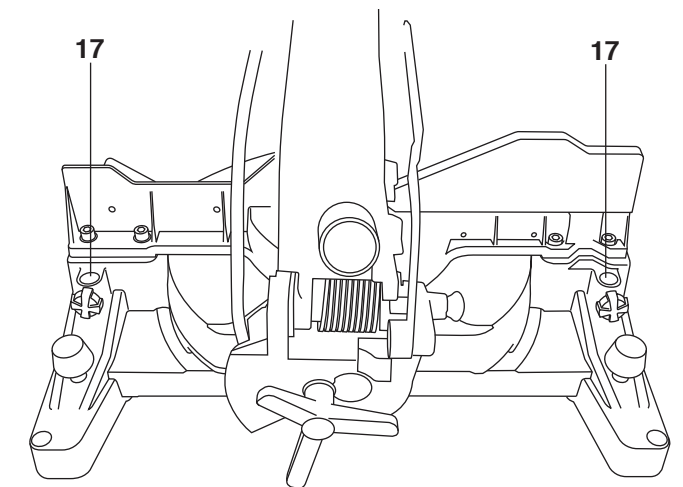
**36. Pomos de fijación de los rieles de extensión**

Fijan los rieles de extensión en las posiciones deseadas.

**37. Boutons de serrage rapide des brides de fixation** — Permiten el montaje rápido y fácil en la base de soporte para sierras para cortar ingletes Skil.

**38. Reborde del protector inferior**

El reborde se puede usar para subir el protector inferior cuando éste se atasque en una pieza de trabajo.



VER CONTINUACIÓN DEL ESPAÑOL EN LA PÁGINA 30



## Assembly

### Tools Needed For Assembly And Alignment



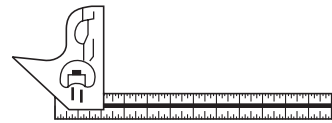
12 mm / 1/2" Wrench  
or Adjustable Wrench



Hex "L" Wrench  
(supplied) 5mm



#3 Phillips Screwdriver



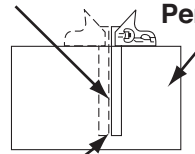
Combination Square

Combination Square Must be True

Draw Light  
Line on Board  
Along this Edge

Straight Edge of  
Board 3/4" Thick  
This Edge Must be  
Perfectly Straight

Should be no Gap or Overlap  
when Square is Flipped Over in  
Dotted Position



**WARNING** Disconnect plug from power source before performing any assembly, adjustment or repair to avoid possible injury.

## Assemblage

### Outils nécessaires à l'assemblage et à l'alignement



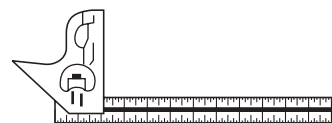
Clé de 12 mm / 1/2 po  
ou Clé à molette



Clé hexagonale en L  
(fournie) de 5 mm



Tournevis à pointe cruciforme  
N° 3



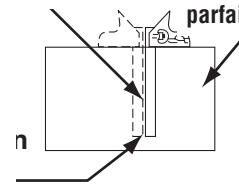
Équerre à combinaison

L'équerre à combinaison doit être vraie.

Tracez une ligne  
délicate sur la planche  
le long de ce bord.

Bord droit de la planche  
3/4 po d'épaisseur  
Ce bord doit être  
parfaitement droit.

Il ne doit y avoir aucun écartement  
ou chevauchement lorsque l'équerre  
est renversée à la position en tirets.



**AVERTISSEMENT** Débranchez la fiche de la prise de courant avant d'effectuer tout assemblage, réglage ou réparation pour éviter d'éventuelles blessures.

## Ensamblaje

### Herramientas necesarias para el ensamblaje y la alineación



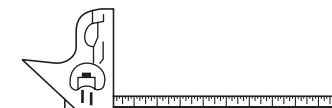
Llave de tuerca de 12mm / 1/2"  
o llave de tuerca ajustable



Llave hexagonal en "L"  
de 6 mm (suministrada)



Destornillador Phillips No. 3



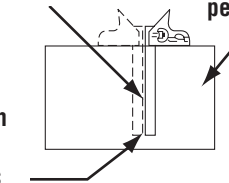
Escuadra de combinación

La escuadra de combinación debe estar alineada

Trace una línea ligera  
sobre la tabla a lo largo  
de este borde

Borde recto de la tabla  
de 3/4" de grosor.  
Este borde debe ser  
perfectamente recto

No debe haber espacio libre ni superposición  
cuando se dé la vuelta a la escuadra sobre  
la posición marcada con una línea de puntos



**ADVERTENCIA** Desconecte el enchufe de la fuente de energía antes de realizar cualquier ensamblaje, ajuste o reparación para evitar posibles lesiones.

## Assembly

### Unpacking and Checking Contents

**CAUTION** Before moving the saw: Lock the miter lock knob in 45° left or right position. Lock bevel lock handle. Lock head assembly in the down position.

Never carry the tool by the cord or head assembly power switch handle. Damage to insulation could cause an electric shock. Damage to wire connections could cause a fire.

Model 3821 Compound Miter Saw is shipped complete in one box.

1. Separate all parts from packing materials and check each one with the "Table of Loose Parts" to make sure all items are accounted for before discarding any packing material.
2. Loose Parts:
  - Vertical Clamp - Provides fast clamping of workpiece.
  - Hex Wrench - Stored behind sliding fence.
  - Miter Lock Knob
  - Dust Bag
  - Extension Rails (2)
  - Extension Table with Thumbscrew
  - Stop Block
  - Operating/Safety Instructions

**WARNING** If any parts are missing, do not plug in power cord or turn the switch on until the missing parts are obtained and are installed correctly.

### Installation of Miter Lock Knob

1. Locate Miter Lock Knob from Loose Parts.
2. Assemble Miter Lock Knob into front of Table as shown in Figure 1.

Do Not Over Tighten.

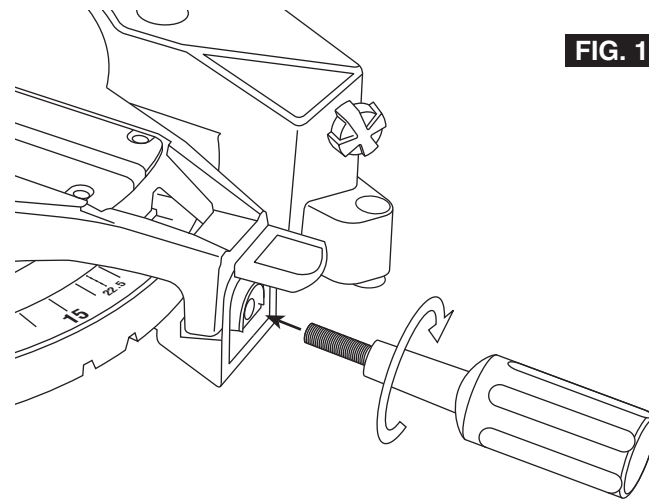


FIG. 1

## Assemblage

### Ouverture de l'emballage et vérification du contenu

**MISE EN GARDE** Avant de déplacer la scie : bloquez le bouton de blocage de l'onglet à la position gauche ou droite 45°. Bloquez la poignée de blocage de biseau. Bloquez la tête à la position abaissée.

Ne transportez jamais l'outil par le cordon ou la poignée-interrupteur de la tête. Les dommages à l'isolation pourraient provoquer des secousses électriques. Les dommages aux connexions de fils pourraient provoquer un incendie.

La scie à onglet composée modèle 3821 est expédiée complète dans une boîte.

1. Séparez toutes les pièces des matériaux d'emballage et vérifiez chacune à l'aide de la « Liste des pièces détachées » pour vous assurer de la présence de toutes les pièces avant de jeter tout matériel d'emballage.
2. Pièces détachées :
  - Serre-joint pour fixation verticale - Permet un cramponnage rapide de l'ouvrage.
  - Clés hexagonales – Rangées derrière le guide à glissière
  - Bouton de blocage d'onglet
  - Sac à poussière
  - Rails de rallonge (2)
  - Rallonge de table avec vis à serrage à main
  - Verrouillage de butée
  - Consignes de fonctionnement/sécurité

Si des pièces manquent, ne branchez pas le cordon et ne mettez pas l'interrupteur à la position de marche avant d'avoir obtenu les pièces manquantes et de les avoir posées correctement.

**AVERTISSEMENT**

### Pose du bouton de blocage d'onglet

1. Repérez, dans les pièces détachées, le bouton de blocage d'onglet.
2. Montez le bouton de blocage d'onglet dans la partie frontale de la table illustré (Figure 1).

Ne serrez pas excessivement.

## Ensamblaje

### Desempaquetado y comprobación del contenido

**PRECAUCION** Antes de mover la sierra: Fije el pomo de fijación de inglete en la posición de 45° a la derecha o a la izquierda. Fije el mango de fijación de bisel. Fije el ensamblaje del cabezal en la posición hacia abajo.

Nunca lleve la herramienta por el cordón ni por el mango con interruptor de encendido del ensamblaje del cabezal. Los daños al aislamiento podrían causar una sacudida eléctrica. Los daños a las conexiones de los cables podrían causar un incendio.

La sierra para cortar ingletes compuestos modelo 3821 se empaqueta completa en una caja.

1. Separe todas las piezas de los materiales de empaquetamiento y compruebe cada una usando la "Tabla de piezas sueltas" para asegurarse de que no falte ningún artículo antes de tirar cualquier material de empaquetamiento.
2. Piezas sueltas:
  - Abrazadera vertical: Proporciona fijación rápida de la pieza de trabajo.
  - Llave hexagonal: Se almacena detrás del tope-guía deslizante.
  - Pomo de fijación de inglete
  - Bolsa para polvo
  - Rieles de extensión (2)
  - Mesa de extensión con tornillo de apriete manual
  - Bloque de tope
  - Instrucciones de funcionamiento y de seguridad

Si falta alguna pieza, no enchufe el cordón de energía ni encienda el interruptor hasta que las piezas que faltan se obtengan e instalen correctamente.

**ADVERTENCIA**

### Instalación del pomo de fijación de inglete

1. Localice el pomo de fijación de inglete entre las piezas sueltas.
2. Ensamble el pomo de fijación de inglete en la parte delantera de la mesa muestra en la (Figura 1).

No lo apriete demasiado.



## Assembly

### Removal and Installation of the Blade

**WARNING** Disconnect plug from power source before performing any assembly, adjustment or repair to avoid possible injury.

Note: Clean blade of any excess oil before installation.

1. Rotate the lower guard **1** by hand. Loosen, but do not remove, the cover plate screw **2** using a Phillips or straight screwdriver (Figure 2).
2. Rotate the cover plate **3** counterclockwise so the blade bolt **4** is exposed (Figure 2).
3. Press and hold the arbor lock. Use the large hex wrench to remove the blade bolt **4** by turning wrench clockwise. NOTE: The blade screw has a left hand thread.
4. Remove the blade bolt **4**, outer washer **5** and the blade **6**. Inner washer **7** does not need to be removed (Figure 3).
5. To install the 12" blade, fit blade between the chip deflectors **8** and onto the inner washer shoulder **9** (Figure 3 & 4). NOTE: Make sure the rotation arrow on the blade matches the clockwise rotation arrow on the lower guard.

**Do not use saw blade rated less than 4500/min(RPM).**

**WARNING** To avoid injury, do not use a blade larger or smaller than 12" diameter and 1" arbor.

6. Replace the outer washer **5** in the proper orientation, and tighten blade bolt **4** finger tight. Press the arbor lock and tighten blade bolt **4** securely, but do not overtighten.
7. Rotate cover plate **3** clockwise to original position. Tighten the screw **2**.

**WARNING** Never use saw without cover plate securely in place. Lower guard will not function properly.

8. Be sure the arbor lock is released so the blade turns freely.

**WARNING** After installing a new blade, lower the blade into the table slot and check for any contact with the base or turn table structure. If blade contacts table, seek authorized service.

### Using Carbide-Tipped Blades

Handle carbide-tipped blades carefully. Carbide is very brittle and can be easily damaged. Use caution when you install, use or store the blades. Do not use a carbide-tipped blade that is bent or has bent teeth, or if the blade has cracks, is broken, or has missing/loose carbide tips. Do not operate a carbide-tipped blade faster than its recommended speed.

Read, understand and follow all warnings and instructions provided with your carbide-tipped blades.

FIG. 2

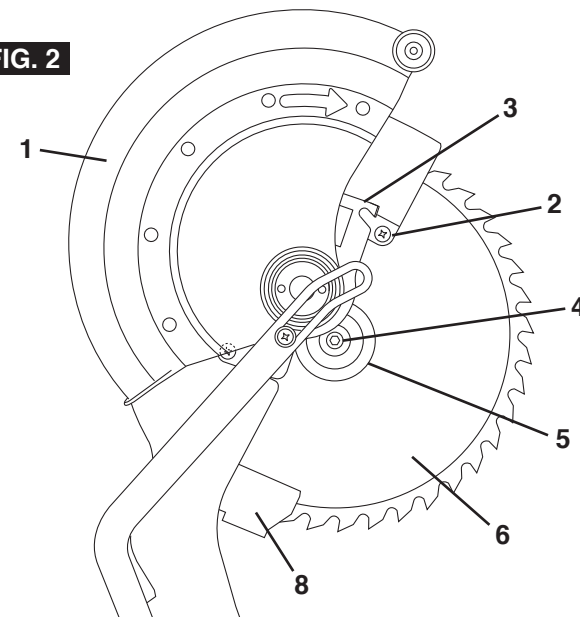


FIG. 3

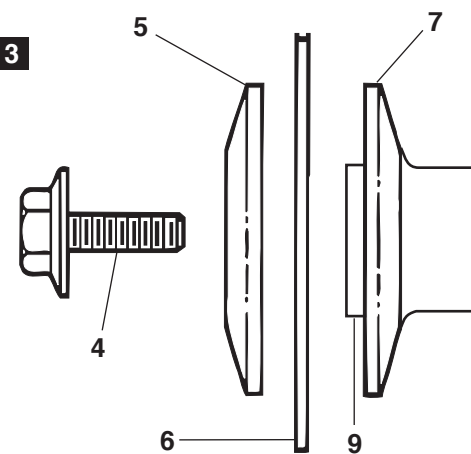
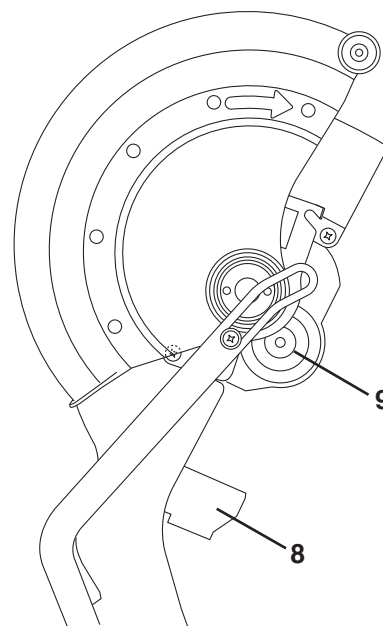


FIG. 4



## Assemblage

### Pose et dépose de la lame

**AVERTISSEMENT** Débranchez la fiche de la prise de courant avant d'effectuer tout assemblage, réglage ou réparation pour éviter d'éventuelles blessures.

Remarque : Enlevez tout excédent d'huile sur la lame avant la pose.

1. Tournez le protecteur inférieur **1** à la main. Desserrez, mais sans retirer complètement, la vis de fixation de la plaque de recouvrement **2** en utilisant un tournevis à pointe cruciforme ou un tournevis droit (Figure 2).
2. Tournez la plaque de recouvrement **3** en sens anti-horaire de manière à exposer la vis de la lame **4** (Figure 2).
3. Appuyez sur le blocage de l'arbre et tenez celui-ci. Utilisez la grande clé hexagonale pour déposer la vis de la lame **4** en tournant la clé dans le sens horaire. REMARQUE : La vis de la lame présente un filet gauche.
4. Retirez le boulon de lame **4**, la rondelle extérieure **5** et la lame **6**. Il n'est pas nécessaire de retirer la rondelle intérieure **7** (Figure 3).
5. Pour poser la lame de 12 po, insérez la lame entre les déflecteurs de copeaux **8** et sur l'épaulement de la rondelle intérieure **9** (Figure 4). REMARQUE : Assurez-vous que la flèche de rotation de la lame correspond à la flèche de rotation en sens horaire sur le protecteur inférieur.

**N'utilisez pas de lame de scie indiquée pour un fonctionnement à moins de 4 500/mn (tr/mn).**

**AVERTISSEMENT** Pour éviter d'éventuelles blessures, n'utilisez pas de lame de plus ou de moins que 12 po de diamètre et arbre de 1 po.

6. Remettez la rondelle extérieure **5** en place dans le bon sens, et serrez la vis de lame **4** à la main. Appuyez sur le blocage de l'arbre et serrez la vis de lame **4** fermement, sans serrer excessivement.
7. Tournez la plaque de recouvrement **3** en sens horaire à sa position d'origine. Serrez la vis **2**.

**AVERTISSEMENT** N'utilisez jamais la scie sans la plaque de recouvrement solidement en place. Le protecteur inférieur ne fonctionnera pas adéquatement.

8. Assurez-vous que le blocage de l'arbre est relâché de manière à ce que la lame tourne librement.

**AVERTISSEMENT** Après avoir posé une nouvelle lame, assurez-vous que la lame ne gêne pas l'insert de table aux positions de biseau de 0° et de 45°. Abaissez la lame dans la fente de la table et vérifiez s'il y a quelque contact que ce soit avec la base ou la structure de la table tournante. Si la lame vient en contact avec la table, obtenez un service autorisé.

### Utilisation de lames à pointes au carbure

Manipulez les lames à pointes au carbure avec précaution. Le carbure est cassant et peut facilement être endommagé. Faites attention lorsque vous installez, utilisez ou rangez de telles lames. N'utilisez une lame à pointes au carbure qui est tordue ou a des dents tordues, ou si la lame est fissurée, est cassée ou a des pointes au carbure qui manquent ou sont desserrées. Ne faites pas fonctionner une lame à pointes au carbure plus vite que sa vitesse recommandée.

Lisez, comprenez et suivez tous les avertissements et toutes les instructions qui accompagnent vos lames à pointes au carbure.

## Ensamblaje

### Instalación y remoción de la hoja

**ADVERTENCIA** Desconecte el enchufe de la fuente de energía antes de realizar cualquier ensamblaje, ajuste o reparación para evitar posibles lesiones.

NOTA: Limpie todo el exceso de aceite de la hoja antes de la instalación.

1. Gire el protector inferior **1** a mano. Afloje, pero no retire, el tornillo de la placa de cubierta **2** utilizando un destornillador Phillips o de cabeza recta (Figura 2).
2. Gire la placa de cubierta **3** en sentido contrario al de las agujas del reloj para que el tornillo de la hoja **4** quede al descubierto (Figura 2).
3. Oprima y mantenga fijo el cierre del eje portaherramienta. Utilice la llave hexagonal grande para quitar el perno de la hoja **4** girando la llave en el sentido de las agujas del reloj. NOTA: El tornillo de la hoja es de rosca a izquierdas.
4. Quite el perno de la hoja **4**, la arandela exterior **5** y la hoja **6**. No es necesario quitar la arandela interior **7** (Figura 3).
5. Para instalar la hoja de 12", ajuste la hoja entre los deflectores de virutas **8** y sobre el saliente de la arandela interior **9** (Figura 4). NOTA: Asegúrese de que la flecha de rotación que está en la hoja coincida con la flecha de rotación en el sentido de las agujas del reloj que está en el protector inferior.

**No utilice una hoja de sierra que tenga una capacidad nominal inferior a 4500/min (RPM).**

**ADVERTENCIA** Para evitar lesiones, no use una hoja cuyo diámetro sea superior ni inferior a 12", ni que sea para un eje portaherramienta superior ni inferior a 1".

6. Vuelva a colocar la arandela exterior **5** en la orientación adecuada y apriete el tornillo de la hoja **4** con los dedos. Oprima el cierre del eje portaherramienta y apriete el tornillo de la hoja **4** firmemente, pero no lo apriete demasiado.
7. Gire la placa de cubierta **3** en el sentido de las agujas del reloj hasta la posición original. Apriete el tornillo **2**.

**ADVERTENCIA** Nunca utilice la sierra sin la placa de cubierta colocada en su sitio firmemente. El protector inferior no funcionará adecuadamente.

8. Asegúrese de que el cierre del eje portaherramienta esté suelto para que la hoja gire libremente.

**ADVERTENCIA** Después de instalar una hoja nueva, asegúrese de que la hoja no interfiera con el accesorio de inserción de la mesa en las posiciones de inglete de 0° y 45°. Baje la hoja hasta el interior de la ranura de la mesa y compruebe si hay contacto con la base o la estructura de la mesa giratoria. Si la hoja hace contacto con la mesa, obtenga servicio autorizado.

### Utilización de hojas con puntas de carburo

Maneje con cuidado las hojas con puntas de carburo. El carburo es muy frágil y se puede dañar fácilmente. Tenga precaución cuando instale, utilice o almacene las hojas. No utilice una hoja con puntas de carburo que esté doblada o tenga dientes doblados, o si la hoja tiene grietas, está rota, le faltan puntas de carburo o tiene puntas de carburo flojas. No utilice una hoja con puntas de carburo a una velocidad mayor que la recomendada para dicha hoja.

Lea, entienda y siga todas las advertencias e instrucciones suministradas con las hojas con puntas de carburo.

## Assembly

### Installing the Dust Bag

1. Simply push the dust bag **1** completely onto the dust port **2** (Figure 5).
2. Position dust bag so that it does not interfere with the tool during the cutting operation for all miter/bevel settings.

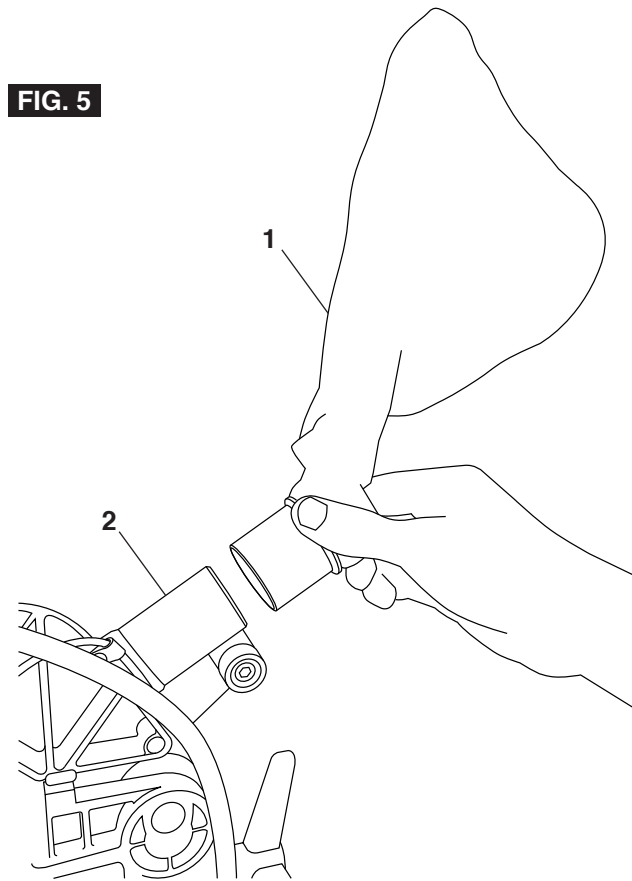
The dust bag requires emptying when full of sawdust. Empty it frequently and after completion of sawing. Carefully remove dust bag from dust port. Empty dust bag in proper trash bin by unzipping the bag. Zip the bag before installing on the dust port.

**WARNING** Be extremely careful of dust disposed, materials in fine particle form may be explosive. Do not throw sawdust on an open fire. Spontaneous combustion, may in time, result from mixture of oil or water with dust particles.

The dust port **1** can also be attached to a standard 1-1/4" vacuum tube for dust collection.

**WARNING** When sawing chemically pressure treated lumber, paint that may be lead based, or any other materials that may contain carcinogens, use special precautions. A suitable respirator must be worn by all personnel entering the work area. Work area should be sealed by plastic sheeting and persons not protected should be kept out until work area is thoroughly cleaned.

FIG. 5



## Assemblage

### Installation du sac à poussière

1. Après avoir placé le bras d'onglet en position abaissée, comme (Figure 5), puis relâchez les languettes.
2. Positionnez le sac à poussière de manière à ce qu'il ne gêne pas l'outil durant la coupe pour tous les réglages d'onglet et de biseau.

Le sac doit être vidé lorsqu'il est plein de bran de scie. Videz-le souvent et après avoir fini de scier. Retirez soigneusement le sac à poussière du orifice de dépoussiérage. Videz le sac à poussière dans une poubelle appropriée en ouvrant la fermeture à glissière du sac. Remontez la fermeture à glissière du sac avant de le poser sur la orifice de dépoussiérage.

**AVERTISSEMENT** Faites particulièrement attention au bran de scie mis au rebut car les fines particules de matières peuvent être explosives. Ne jetez pas de bran de scie dans un feu ouvert. Une combustion spontanée peut parfois résulter d'un mélange d'huile ou d'eau avec des particules de poussière.

Le orifice de dépoussiérage **1** peut également être fixé à un tube d'aspiration standard de 1-1/4 po pour collecte de la poussière.

**AVERTISSEMENT** Redoublez de prudence en sciant du bois traité chimiquement sous pression, de la peinture pouvant être à base de plomb ou tout autre matériau pouvant contenir des agents cancérigènes. Un respirateur adéquat doit être porté par tous les personnes pénétrant dans l'aire de travail. L'aire de travail doit être scellée à l'aide de feuilles en plastique, et les personnes non protégées doivent être maintenues à l'extérieur jusqu'à ce que la zone de travail soit nettoyée à fond.

## Ensamblaje

### Instalación de la bolsa para polvo

1. Con el brazo de inglete fijo en la posición hacia abajo, comprima (Figura 5) y luego suelte las lengüetas.
2. Posicione la bolsa para polvo de modo que no interfiera con la herramienta durante la operación de corte para todas las posiciones de inglete/bisel.

Hay que vaciar la bolsa para polvo cuando esté llena de serrín. Vacíela frecuentemente y después de terminar de aserrar. Quite cuidadosamente la bolsa para polvo del orificio para polvo. Vacíe la bolsa para polvo en un cubo de basura adecuado abriendo la cremallera de la bolsa. Cierre la cremallera de la bolsa antes de instalarla en el orificio para polvo.

**ADVERTENCIA** Tenga mucho cuidado con el polvo que se tire, ya que los materiales en forma de partículas finas pueden ser explosivos. No tire el serrín a un fuego abierto. Al cabo del tiempo se puede producir una combustión espontánea como consecuencia de la mezcla de aceite o agua con las partículas de polvo.

El orificio para polvo **1** también se puede conectar a un tubo de aspiración estándar de 1-1/4" para recoger polvo.

**ADVERTENCIA** Al aserrar madera tratada químicamente a presión, pintura que pueda estar basada en plomo o cualquier otro material que pueda contener carcinógenos, tome precauciones especiales. Todo el personal que entre en el área de trabajo debe usar un aparato de respiración adecuado. El área de trabajo debe cerrarse con cubiertas colgantes de plástico y debe mantenerse fuera a las personas no protegidas hasta que el área de trabajo esté bien limpia.



## Adjustments

**WARNING** Disconnect plug from power source before performing any assembly, adjustment or repair to avoid possible injury.

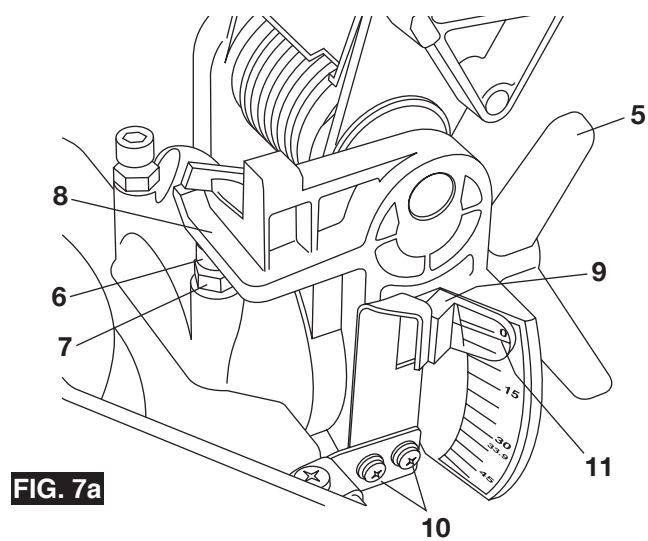
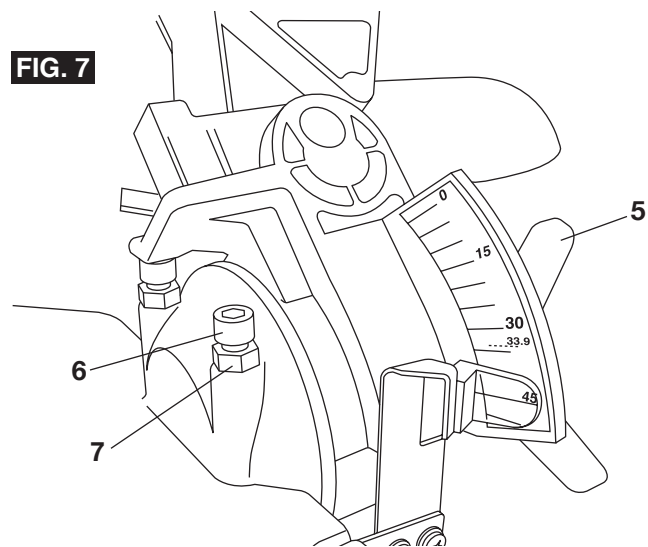
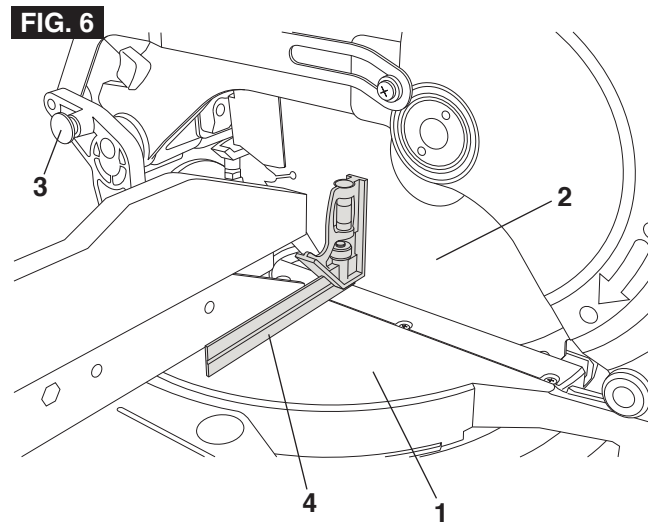
NOTE: Your compound miter saw was completely adjusted at the factory. However, during shipment, slight misalignment may have occurred. Check the following settings and adjust if necessary prior to using this compound miter saw.

### Blade Square to Table (90°)

1. Rotate table **1** to 0° miter position and lock in place.
2. Lower the blade **2** and engage the lock pin **3**.
3. Use a combination square **4** to check blade squareness to table. Place the square on the table and press it against the blade. If the blade does not contact the full length of the square, (Figure 6) follow the alignment procedure.

### 90° Blade Alignment

1. Move sliding fence to proper position. (See Sliding Fence on page 59.)
2. Loosen bevel lock handle **5** (Figure 7).
3. Bevel the head assembly to 45° to access the stop screw **6**.
4. Loosen jam nut **7** using a 1/2" or 12 mm wrench. Lower or raise 0° stop screw **6** with the hex wrench provided.
5. Grasp carrying handle, move the head assembly left or right until blade makes contact with the full length of the square.
6. Tighten bevel lock handle **5**.
7. Adjust 0° bevel stop screw **6** so that the hex screw head hits the 0° stop **8** at the same time the blade makes contact with the full length of the square. Tighten jam nut **7** (Figure 7a).
8. Adjust bevel indicator **9**. Loosen screws **10** and align indicator **11** to the 0° mark. Tighten screws **10**.



## Réglages

**AVERTISSEMENT** Débranchez la fiche de la prise de courant avant d'effectuer tout assemblage, réglage ou réparation pour éviter d'éventuelles blessures.

REMARQUE : Votre scie à onglet composée a été entièrement réglée à l'usine. Cependant, un léger désalignement peut s'être produit en cours d'expédition. Vérifiez les réglages suivants et ajustez, au besoin, avant d'utiliser cette scie à onglet composée.

### Lame d'équerre par rapport à la table (90°)

1. Tournez la table **1** à la position 0° et bloquez en place.
2. Abaissez la lame **2** et engagez la cheville de blocage **3**.
3. Utilisez une équerre à combinaison **4** pour vérifier si la lame est d'équerre par rapport à la table. Placez l'équerre sur la table et pressez-la contre la lame. Si la lame ne vient pas en contact avec toute la longueur de l'équerre (Figure 6), suivez la procédure d'alignement décrite ci-après.

### Alignement de la lame à 90°

1. Déplacez le guide à glissière à la position appropriée. (Voir Guide à glissière à la page 60.)
2. Desserrez la poignée de blocage de biseau **5** (Figure 7).
3. Biseautez la tête à 45° pour accéder à la vis d'ajustement **6**.
4. Desserrez le contre-écrou **7** en utilisant la lame d'une clé de 1/2 po ou de 12 mm. Abaissez ou élevez le vis d'arrêt de 45° **6** avec la clé hexagonale fournie.
5. Saisissez la poignée de transport, déplacez la tête à gauche ou à droite jusqu'à ce que la lame vienne en contact avec toute la longueur de l'équerre.
6. Serrez la poignée de blocage de biseau **5**.
7. Ajustez la vis d'arrêt de biseau **6** de manière à ce que la tête hexagonale de vis touche la butée 0° **8** au même moment où la lame vient en contact avec toute la longueur de l'équerre. Serrez le contre-écrou (Figure 7a).
8. Ajustez l'indicateur de biseau **9**. Desserrez les vis **10** et alignez l'indicateur **11** sur la marque 0°. Serrez les vis **10**.

## Ajustes

**ADVERTENCIA** Desconecte el enchufe de la fuente de energía antes de realizar cualquier ensamblaje, ajuste o reparación para evitar posibles lesiones.

NOTA: La sierra para cortar ingletes compuestos se ajustó completamente en la fábrica. Sin embargo, puede que durante el transporte se haya producido una ligera desalineación. Compruebe las posiciones siguientes y ajústelas si es necesario antes de usar esta sierra para cortar ingletes compuestos.

### Hoja en ángulo recto con la mesa (90°)

1. Gire la mesa **1** hasta la posición de 0° y fíjela en su sitio.
2. Baje la hoja **2** y acople el pasador de fijación **3**.
3. Use una escuadra de combinación **4** para comprobar la perpendicularidad de la hoja respecto a la mesa. Coloque la escuadra sobre la mesa y presiónela contra la hoja. Si la hoja no hace contacto con toda la longitud de la escuadra (Figura 6), siga el procedimiento de alineación.

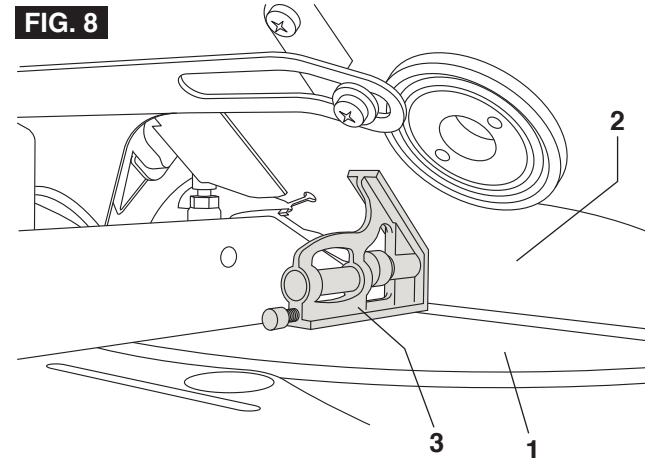
### Alineación de la hoja a 90°

1. Mueva el tope-guía deslizante a la posición apropiada. (Ver Topes-guía deslizantes en la página 60.)
2. Afloje el mango de fijación de bisel **5** (Figure 7).
3. Bisele el ensamblaje del cabezal a 45° para obtener acceso al tornillo de ajuste **6**.
4. Afloje la contratuerca **7** utilizando una llave de tuerca de 1/2 pulgada ó 12 mm. Baje o suba el tornillo de tope de 45° **6** con la llave hexagonal suministrada.
5. Agarre el mango de transporte y mueva el ensamblaje del cabezal hacia la izquierda o hacia la derecha hasta que la hoja haga contacto con toda la longitud de la escuadra.
6. Apriete el mango de fijación de bisel **5**.
7. Ajuste el tornillo de tope de bisel de 0° **6** para que la cabeza del tornillo hexagonal golpee el tope de 0° **8** al mismo tiempo que la hoja hace contacto con toda la longitud de la escuadra. Apriete la contratuerca **7** (Figura 7a).
8. Ajuste el indicador de bisel **9**. Afloje los tornillo **10** y alinee el indicador **11** con la marca de 0°. Apriete los tornillo **10**.

## Adjustments

### Blade 45° To The Table

1. Rotate table **1** to 0° miter position and lock in place.
2. Move sliding fence to its proper position. (See Sliding Fence on page 59.)
3. Lower head assembly. Lock in place.
4. Loosen bevel lock handle **4** and tilt the head assembly to 45° bevel. Check the 45° bevel stop. The bevel indicator should be on the 45° mark, the 45° bevel stop should be in full contact with the 45° bevel stop screw, and the blade **2** should contact the full length of the combination square **3** (Figure 8).
5. If the blade is not 45° with the table, adjust 45° bevel stop.



### 45° Blade Alignment

- a. Move sliding fence to proper position. (See Sliding Fence on page 59.)
- b. Loosen bevel lock handle **4**.
- c. Bevel the head assembly to 0° to access the adjustment screw **5**.
- d. Loosen jam nut **6** using a 1/2" or 12 mm wrench. Lower or raise 45° stop screw **5** with the hex wrench provided.
- e. Grasp carrying handle, move the head assembly left or right until blade makes contact with the full length of the square.
- f. Tighten the bevel lock handle **4**.
- g. Adjust 45° bevel stop screw **5** so that the hex screw head hits the 45° stop **7** at the same time the blade makes contact with the full length of the square. Tighten 45° jam nut **6** (Figure 9a).
- h. Check that bevel indicator **8** is pointing to the 45° mark on the bevel scale (see Figure 9a). If bevel indicator is not aligned with the 45° mark, first recheck the blade squareness to the table and 0° bevel indicator alignment. Then, repeat the 45° blade alignment and make appropriate adjustments.

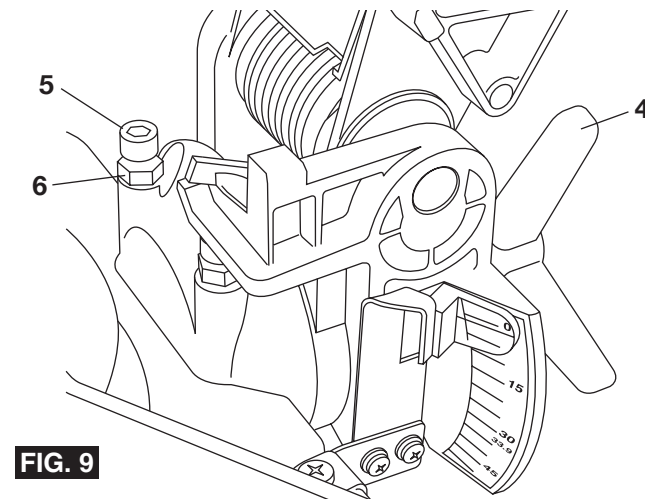


FIG. 9

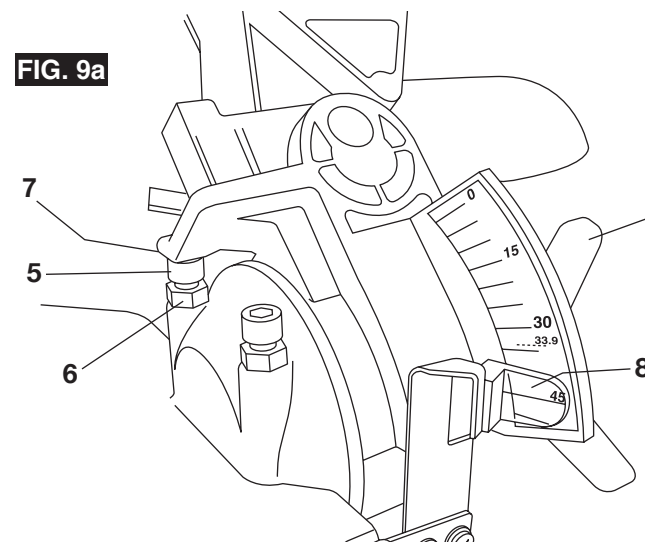


FIG. 9a

## Réglages

### Lame à 45° par rapport à la table

1. Tournez la table **1** à la position 0° et bloquez en place.
2. Déplacez le guide à glissière à sa position appropriée. (Voir Guide à glissière à la page 60.)
3. Abaissez la tête. Bloquez en place.
4. Desserrez la poignée de blocage de biseau et inclinez la tête au biseau de 45°. Vérifiez la butée de biseau 45°. L'indicateur de biseau doit être sur la marque 45°, la butée de biseau 45° doit être entièrement en contact avec la vis d'arrêt de biseau 45°, et la lame **2** doit être en contact avec toute la longueur de l'équerre à combinaison **3** (Figure 8).
5. Si la lame n'est pas à 45° par rapport à la table, ajustez la butée de biseau 45°.

### Alineage de la lame à 45°

- a. Déplacez le guide à glissière à sa position appropriée. (Voir Guide à glissière à la page 60.)
- b. Desserrez la poignée de blocage de biseau **4**.
- c. Biseautez la tête à 45° pour accéder à la vis d'ajustement **5**.
- d. Desserrez le contre-écrou **6** en utilisant la lame d'une clé de 1/2 po ou de 12 mm. Abaissez ou élevez la vis d'arrêt de 45° **5** avec la clé hexagonale fournie.
- e. Saisissez la poignée de transport, déplacez la tête à gauche ou à droite jusqu'à ce que la lame vienne en contact avec toute la longueur de l'équerre.
- f. Serrez la poignée de blocage de biseau **4**.
- g. Ajustez la vis d'arrêt de biseau 45° **5** de manière à ce que la tête hexagonale de vis touche la butée 45° **7** au même moment où la lame vient en contact avec toute la longueur de l'équerre. Serrez le contre-écrou 45° **6** (Figure 9).
- h. Assurez-vous que l'indicateur de biseau pointe vers la marque 45° sur l'échelle graduée de biseau (voir Figure 7a). Si l'indicateur de biseau n'est pas aligné sur la marque 45°, revérifiez d'abord si la lame est d'équerre par rapport à la table et revérifiez l'alignement de l'indicateur de biseau 0°. Répétez ensuite l'alignement de lame 45° et faites les réglages appropriés.

## Ajustes

### Hoja a 45° respecto a la mesa

1. Gire la mesa **1** hasta la posición de 0° y fijela en su sitio.
2. Mueva el tope-guía deslizante hasta su posición apropiada. (Ver Topes-guía deslizantes en la página 60.)
3. Baje el ensamblaje del cabezal. Fijelo en su sitio.
4. Afloje el mango de fijación de bisel e incline el ensamblaje del cabezal hasta el bisel de 45°. Compruebe el tope de bisel de 45°. El indicador de bisel debe estar en la marca de 45°, el tope de bisel de 45° debe estar en contacto completo con el tornillo de tope de bisel de 45° y la hoja **2** debe hacer contacto con toda la longitud de la escuadra de combinación **3** (Figura 8).
5. Si la hoja no está a 45° respecto a la mesa, ajuste el tope de bisel de 45°.

### Alineación de la hoja a 45°

- a. Mueva el tope-guía deslizante hasta su posición apropiada. (Ver Topes-guía deslizantes en la página 60.)
- b. Afloje el mango de fijación de bisel **4**.
- c. Bisele el ensamblaje del cabezal a 45° para obtener acceso al tornillo de ajuste **5**.
- d. Afloje la contratuerca **6** utilizando una llave de tuerca de 1/2 pulgada ó 12 mm. Baje o suba el tornillo de tope de 45° **5** con la llave hexagonal suministrada.
- e. Agarre el mango de transporte y mueva el ensamblaje del cabezal hacia la izquierda o hacia la derecha hasta que la hoja haga contacto con toda la longitud de la escuadra.
- f. Apriete el mango de fijación de bisel **4**.
- g. Ajuste el tornillo de tope de bisel de 45° **5** para que la cabeza del tornillo hexagonal golpee el tope de 45° **7** al mismo tiempo que la hoja hace contacto con toda la longitud de la escuadra. Apriete la contratuerca de 45° **6** (Figura 9).
- h. Compruebe que el indicador de bisel señale hacia la marca de 45° en la escala de biselés (vea la Figura 7a). Si el indicador de bisel no está alineado con la marca de 45°, primero vuelva a comprobar la perpendicularidad de la hoja respecto a la mesa y la alineación del indicador de bisel de 0°. Luego, repita la operación para la alineación de la hoja a 45° y haga los ajustes adecuados.

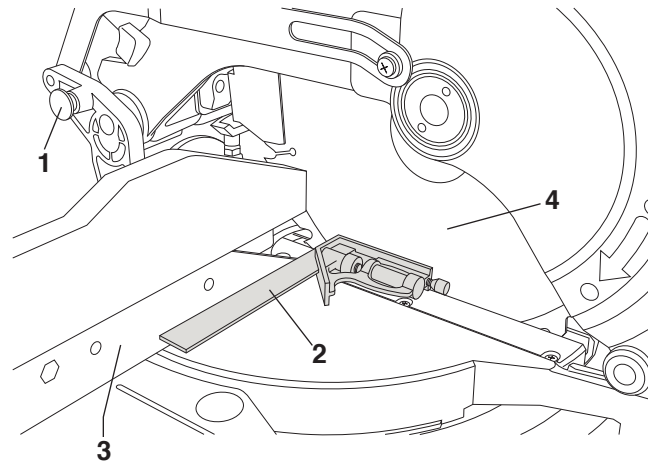


## Adjustments

### Blade Square to Fence

1. Lower the head assembly and push in the lock pin **1** to lock in the lower position.
2. Make sure table is in 0° miter detent and tighten miter lock knob.
3. Place a combination square **2** against the fence **3** and next to the blade **4** as illustrated. Locate the square properly so it does not contact the tooth of saw blade. The saw blade should contact the full length of the square (Figure 10).
4. If blade does not contact the square, follow the fence alignment procedure.

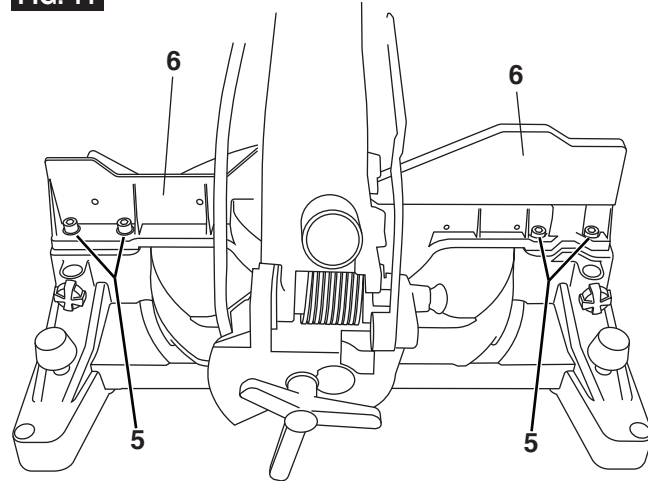
FIG. 10



### Fence Alignment

- a. The head assembly should remain in lowered position.
- b. Move sliding fence to proper position. (See Sliding Fence on page 59.)
- c. Using the supplied hex wrench, loosen the four (4) hex cap screws **5** behind fence **6** (Figure 11).
- d. Adjust fence until blade and the fence have full contact with the square.
- e. Tighten hex cap screws.

FIG. 11



## Réglages

### Lame d'équerre par rapport au guide

1. Abaissez la tête et enfoncez la cheville de blocage pour bloquer en position abaissée.
2. Assurez-vous que la table est au cran d'arrêt 0° et serrez le bouton de blocage d'onglet.
3. Placez une équerre à combinaison **2** contre le guide **3** et à côté de la lame **4**, comme illustré. Placez l'équerre adéquatement de manière à ce qu'elle ne vienne pas en contact avec les dents de la lame de scie. La lame de scie doit venir en contact avec toute la longueur de l'équerre (Figure 10).
4. Si la lame ne vient pas en contact avec l'équerre, suivez la procédure d'alignement du guide.

### Alignement du guide

- a. La tête doit demeurer abaissée.
- b. Déplacez le guide à glissière à sa position appropriée. (Voir Guide à glissière à la page 60.)
- c. En utilisant la clé hexagonale fournie, desserrez quatre (4) vis à tête hexagonale **5** derrière le guide **6** (Figure 11).
- d. Ajustez le guide jusqu'à ce que lame et le guide soient entièrement en contact avec l'équerre.
- e. Serrez les vis à tête hexagonale.

## Ajustes

### Hoja en ángulo recto con el tope-guía

1. Baje el ensamblaje del cabezal y empuje el pasador de fijación para fijarlo en la posición inferior.
2. Asegúrese de que la mesa esté en el retén de 0° y apriete el pomo de fijación de inglete.
3. Coloque una escuadra de combinación **2** contra el tope-guía **3** y junto a la hoja **4** tal como se ilustra. Sitúe la escuadra adecuadamente para que no haga contacto con el diente de la hoja de sierra. La hoja de sierra debe hacer contacto con toda la longitud de la escuadra (Figura 10).
4. Si la hoja no hace contacto con la escuadra, siga el procedimiento de alineación del tope-guía.

### Alineación del tope-guía

- a. El ensamblaje del cabezal debe permanecer en la posición bajada.
- b. Mueva el tope-guía deslizante hasta su posición apropiada. (Ver Topes-guía deslizantes en la página 60.)
- c. Utilizando la llave hexagonal suministrada, afloje los cuatro (4) tornillos de casquete hexagonales **5** que están detrás del tope-guía **6** (Figura 11).
- d. Ajuste el tope-guía hasta que la hoja y el tope-guía hagan contacto completo con la escuadra.
- e. Apriete los tornillos de casquete hexagonales.

## Adjustments

### Laser Cutline™

Your miter saw is equipped with a laser cut line system to help identify where the blade will contact the workpiece. The laser line has been adjusted to the center of the blade. You should make a practice cut into a scrap piece of wood so you know exactly where to place your workpiece.

The tool power cord must be plugged in, but you do not have to activate the trigger to use the laser. The Laser Cutline™ can be turned on or off by using the switch **24** shown on page 9.

**Note:** the laser maybe less effective on taller workpieces because of the angle at which the laser is mounted. This is normal and cannot be adjusted.

## Réglages

### Laser Cutline™

Votre scie à onglet est équipée d'un système de projection d'un rayon laser en vue de la coupe qui aide à identifier l'endroit où la lame entrera en contact avec l'ouvrage. Le rayon laser a été réglé de manière à atteindre le centre de la lame. Il est recommandé de réaliser une opération de coupe expérimentale dans un déchet de bois pour vous permettre de déterminer exactement où placer votre ouvrage.

Le cordon d'alimentation électrique de l'outil doit être branché, mais il n'est pas nécessaire d'actionner la gâchette pour vous servir du laser. Le système d'alignement du laser peut être activé ou désactivé au moyen de l'interrupteur **24** montré sur l'illustration de la page 18.

**Remarque :** le laser sera peut-être moins efficace sur les ouvrages hauts en raison de l'angle auquel le laser est monté. Ceci est normal et aucun réglage ne permet de changer cet angle.

## Ajustes

### Línea de corte Laser Cutline™

Línea de corte Laser Cutline™ La línea del láser ha sido ajustada en el centro de la hoja. Usted debe hacer un corte de práctica en un pedazo de madera de desecho para saber exactamente dónde colocar la pieza de trabajo.

El cable de alimentación de la herramienta debe estar enchufado, pero usted no tiene que activar el gatillo para utilizar el láser. El sistema de alineación del láser se puede encender o apagar usando el interruptor **24** mostrado en la página 27.

**Nota:** Es posible que el láser sea menos efectivo en piezas de trabajo más altas debido al ángulo en el cual el láser está montado. Esto es normal y no se puede ajustar.

## Transporting

**⚠ WARNING** To avoid injury, follow all statements identified below by the BULLET (•) symbol.

- **Unplug electric cord and wind up.**
- **Never lift the saw by gripping any of the mechanism parts.** The saw may move and cause severe injuries to your fingers or hands.
- **To avoid back injury, hold the tool close to your body when lifting.** Bend your knees so you can lift with your legs, not your back.
- **Never lift tool by holding switch handle.** This may cause serious damage to the tool.
- **Never lift the miter saw by the power cord.** Attempting to lift or carry the tool by the power cord will damage the insulation and the wire connections, resulting in electric shock or fire.
- **Place the saw on a firm, level surface where there is plenty of room for handling and properly supporting the workpiece.**

**ONLY lift this saw by the top carry handle.**

### Preparing To Lift The Saw

Set bevel angle at 0° and lock in place using the bevel lock lever.

Rotate the table to either 45 or 0° and lock into place using the miter lock knob.

Lock the saw head in the DOWN position with the head lock pin.

### Lift The Saw By The Top Carry Handle

Grip the saw by top carry handle. (See Figure 18)

Continue to lift and transport comfortably.

FIG. 18

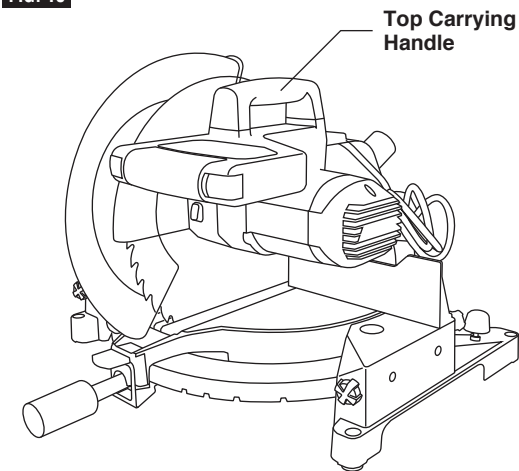
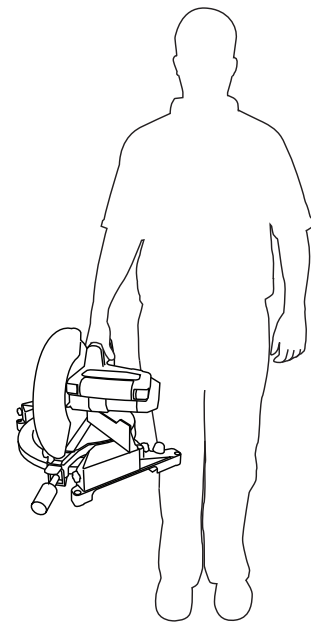


FIG. 19



## Transport

**⚠ AVERTISSEMENT** Pour ne pas risquer de vous blesser, suivez toutes les consignes de sécurité identifiées ci-dessous par le symbole (•) (gros point noir).

- **Débranchez le cordon électrique et enrôlez-le.**
- **Ne soulevez jamais la scie en saisissant l'une des parties du mécanisme.** La scie risquerait de bouger et de causer de graves blessures à votre main ou à vos doigts.
- **Ne soulevez jamais la scie en saisissant de quelconques composants du mécanisme.** La scie risquerait de bouger et de causer de graves blessures à vos doigts ou à vos mains.
- **Ne soulevez jamais l'outil en tenant la poignée de l'interrupteur.** Ceci risquerait de causer des dommages graves à l'outil.
- **Ne soulevez jamais la scie à onglet par le cordon d'alimentation électrique.** Si vous tentez de soulever l'outil ou de le transporter par son cordon d'alimentation, vous endommagerez l'isolation et les connecteurs, ce qui causera un choc électrique ou un incendie.
- **Placez la scie sur une surface horizontale ferme où il y a beaucoup de place pour manipuler et supporter adéquatement l'ouvrage.**

**Soulevez cette scie SEULEMENT par la poignée de transport du haut.**

### Préparations en vue du levage de la scie

Réglez l'angle de biseau à 0° et verrouillez en place en utilisant le levier de verrouillage du biseau.

Faites tourner la table à 45° ou 0° et verrouillez en place en utilisant le bouton de verrouillage d'onglet.

Verrouillez la tête de la scie dans la position ABAISSÉE avec la goupille de verrouillage de la tête.

### Soulevez la scie par la poignée de transport du haut.

Saisissez la scie par la poignée de transport du haut (voir Figure 18).

Continuez à lever et à transporter confortablement.

## Transporte

**⚠ ADVERTENCIA** Para evitar lesiones, siga todas las instrucciones identificadas a continuación con el símbolo de PUNTO NEGRO (•).

- **Desenchufe el cable eléctrico y enróllelo.**
- **No levante nunca la sierra agarrando cualquiera de las piezas del mecanismo.** Es posible que la sierra se mueva y le cause lesiones graves en los dedos o las manos.
- **Para evitar lesiones en la espalda, sujete la herramienta cerca del cuerpo cuando la levante.** Doble las rodillas para que pueda levantar con las piernas, no con la espalda.
- **No levante nunca la herramienta agarrando el mango con interruptor.** Esto podría causar daños graves a la herramienta.
- **No levante nunca la sierra para cortar ingletes por el cable de alimentación.** Si se intenta levantar o transportar la herramienta por el cable de alimentación se dañarán el aislamiento y las conexiones de los cables, lo cual causará descargas eléctricas o un incendio.
- **Coloque la sierra sobre una superficie firme y nivelada, en la que haya amplio espacio para manejar y soportar apropiadamente la pieza de trabajo.**

**Levante esta sierra SOLAMENTE por el mango de transporte superior.**

### Preparación para levantar la sierra

Ajuste el ángulo de bisel a 0° y bloquéelo en esa posición utilizando la palanca de fijación de bisel.

Rote la mesa hasta 45° o 0° y fíjela en en esa posición utilizando el pomo de fijación de inglete.

Fije el cabezal de la sierra en la posición hacia ABAJO con el pasador de fijación del cabezal.

### Levante la sierra por el mango de transporte superior

Agarre la sierra por el mango de transporte superior. (Vea la Figura 18)

Continúe levantando y transportando la sierra cómodamente.



## Installation

### Mounting Applications

#### Workbench

Mount the saw using the four (4) bolt holes (5/16") **1** to the workbench. Check for clearance to the left and right of the saw (Figure 13).

1. Each of the four (4) mounting holes should be bolted securely using 5/16" bolts, lock washers, flat washers and hex nuts (not included).
2. Locate and mark where the saw is to be mounted.
3. Drill four (4) 7/16" diameter holes through workbench.
4. Place the compound miter saw on the workbench aligning holes in base with holes drilled in workbench. Install screws, lock washers, flat washers and hex nuts.

Supporting surface where saw is to be mounted should be examined carefully after mounting to insure that no movement can occur during use. If any tipping or walking is noted, secure the workbench or stand before operating the compound miter saw.

#### Portable Mounting Using Clamps

- If necessary, clamp the compound miter saw to a workbench or table top.
- Place two (2) or more "C" clamps **2** on the clamping areas and secure (Figure 14).

NOTE: Always make sure you leave enough room in work area to accommodate long workpieces.

FIG. 13

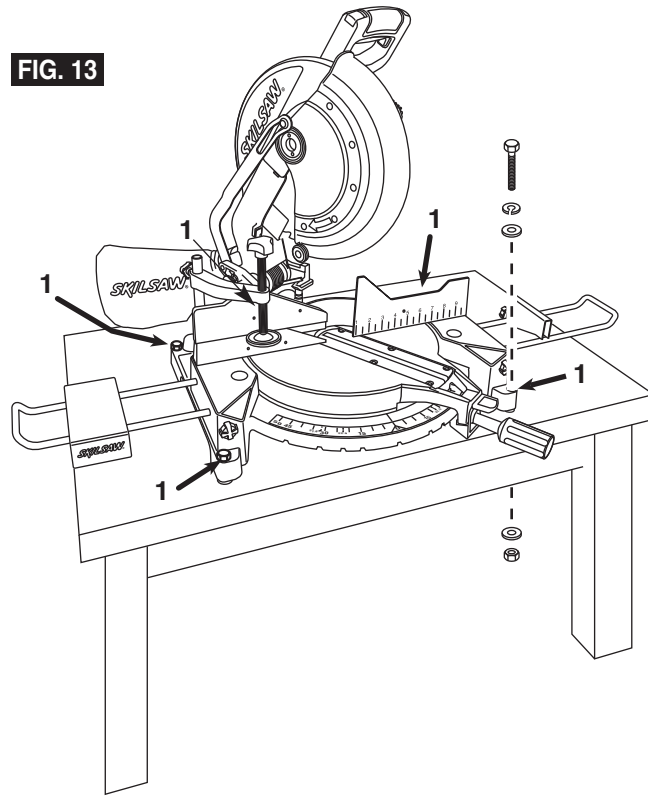
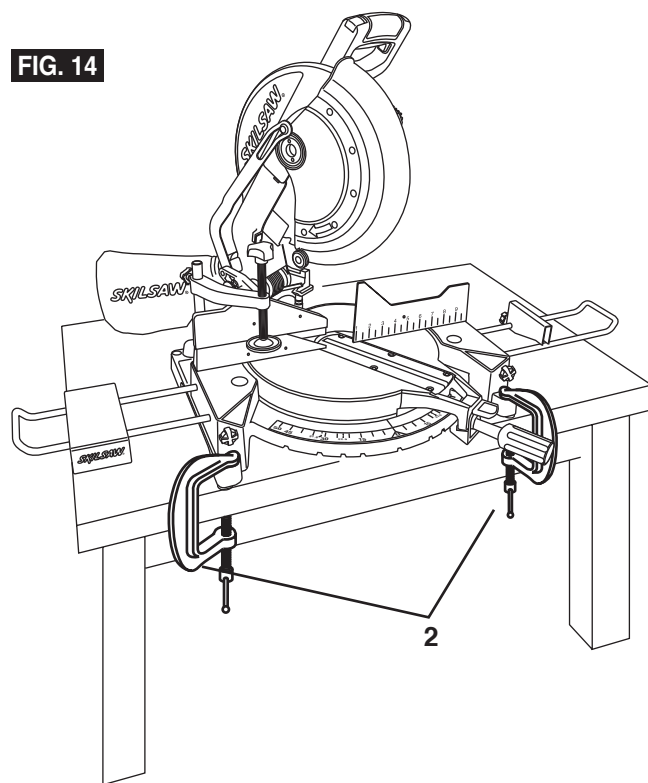


FIG. 14



## Installation

### Applications de montage

#### Établi

Montez la scie sur l'établi en utilisant les quatre (4) trous de boulon (5/16 po) **1**. Assurez-vous que le dégagement est suffisant à gauche et à droite de la scie (Figure 13).

1. Chacun des quatre (4) trous de montage doit être boulonné solidement en utilisant des boulons de 5/16 po, des rondelles de blocage, des rondelles plates et des écrous à six pans (non inclus).
2. Repérez et marquez l'emplacement du montage de la scie.
3. Percez quatre (4) trous de 7/16 po de diamètre à travers l'établi.
4. Placez la scie à onglet composée sur l'établi en alignant les trous de la base sur ceux percés dans l'établi. Installez les vis, les rondelles de blocage, les rondelles plates et les écrous à six pans.

La surface d'appui où la scie doit être montée doit être examinée soigneusement après le montage pour s'assurer qu'il ne pourra y avoir aucun mouvement durant l'usage. En cas de basculement ou d'avance, fixez solidement l'établi ou le support avant d'utiliser la scie à onglet composée.

#### Montage portatif à l'aide de serre-joints

- Si besoin est, cramponnez la scie à onglet composée à un établi ou à une table.
- Placez au moins deux (2) serre-joints en **C 2** sur les surfaces de cramponnage et fixez solidement (Figure 14).

## Instalación

### Aplicaciones de montaje

#### Banco de trabajo

Monte la sierra en el banco de trabajo utilizando los cuatro (4) agujeros para pernos (de 5/16") **1**. Compruebe que hay espacio libre a la izquierda y a la derecha de la sierra (Figura 13).

1. Cada uno de los cuatro (4) agujeros de montaje se debe empinar de manera segura utilizando pernos de 5/16 de pulgada, arandelas de seguridad, arandelas planas y tuercas hexagonales (no incluidas).
2. Localice y marque donde se va a montar la sierra.
3. Taladre cuatro (4) agujeros de 7/16" de diámetro a través del banco de trabajo.
4. Coloque la sierra para cortar ingletes compuestos sobre el banco de trabajo alineando los agujeros de la base con los agujeros hechos en el banco de trabajo. Instale los tornillos, las arandelas de seguridad, las arandelas planas y las tuercas hexagonales.

La superficie de soporte donde se va a montar la sierra se debe examinar cuidadosamente después de montarla para asegurarse de que no se pueda producir ningún movimiento durante la utilización. Si se observa alguna inclinación o desplazamiento, fije el banco de trabajo o la base para la herramienta antes de utilizar la sierra para cortar ingletes compuestos.

#### Montaje portátil usando abrazaderas

- Si es necesario, fije con abrazaderas la sierra para cortar ingletes compuestos a un banco de trabajo o a un tablero de mesa.
- Coloque dos (2) o más abrazaderas en "C" **2** en las áreas de fijación con abrazadera y fijelas (Figura 14).

## Installation

### Mounting Applications

#### Mounting the Miter Saw to the Skil Stand (Not included, available as accessory)

**⚠ WARNING** To reduce the risk of injury, read and understand all instruction in the Skil stand before mounting the tool.

Make sure stand is fully assembled.

Place stand on solid, level surface.

See Figures 14a - 14b.

1. Rotate the two quick clamp knobs **1** on each side of the rear portion saw base counterclockwise until they are retracted as far as they will go.
2. Lift the saw, allowing it to tilt slightly away from your body.
3. While still tilted away from you, hook the rear edge of the saw base onto the rear rail **2** of the stand, figure 14a.

**⚠ WARNING** To avoid serious personal injury, make sure the curved rear edge of the saw base and clamps are securely seated over the rear rail before seating the other end of the saw base. Failure to do so could cause you to lose control of the saw mounting assembly.

4. Lower the saw to allow the front edge of the saw base to seat fully over the front rail, figure 14b.
5. Check position and adjust, if necessary, to make sure the weight of the saw is evenly balanced over the rails as shown in figure 14b.
6. Rotate the two quick lock knobs **1** clockwise and securely tighten.
7. Ensure the saw base is fully seated and locked in position.

#### To remove saw from stand:

1. Rotate the two quick clamp knobs counter clockwise.
2. Lift the saw away from the front rail of the stand to disengage.
3. With the assembly tilted slightly away from you, lift the rear part of the saw base to disengage from the front rail of the stand.

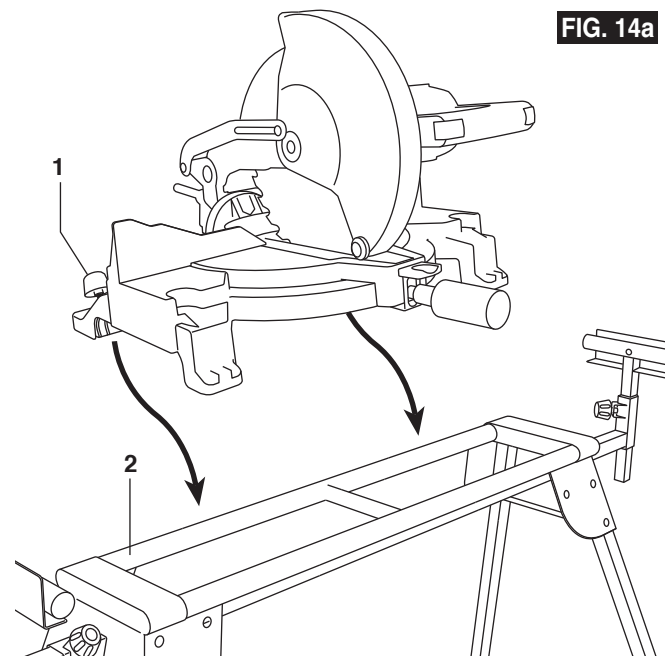


FIG. 14a

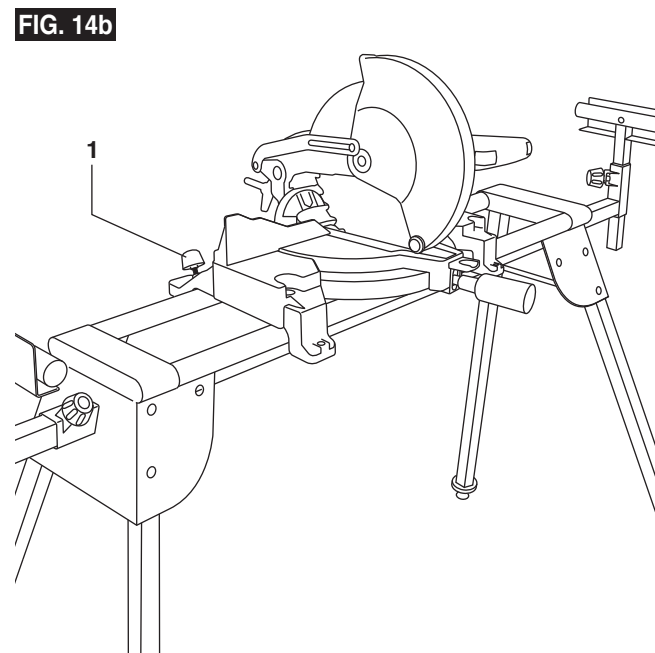


FIG. 14b

## Installation

#### Montage de la scie à onglet sur le support Skil (Non fourni, disponible à titre d'accessoire)

**⚠ AVERTISSEMENT** Pour réduire le risque de blessure, lisez et comprenez toutes les instructions sur le support Skil avant de procéder au montage de l'outil.

Assurez-vous que le support est assemblé de façon appropriée.

Placez le support sur une surface solide et de niveau.

Voir Figures 14a -14b.

1. Faites tourner les deux boutons de serrage rapide des brides de fixation **1** de chaque côté de la partie arrière de la base de la scie dans le sens contraire des aiguilles d'une montre jusqu'à ce que les brides de fixation sont rétractées autant que possible.
2. Soulevez la scie en la laissant s'incliner légèrement dans le sens opposé à celui de votre corps.
3. Pendant que la scie est toujours inclinée légèrement dans le sens opposé à celui de votre corps, accrochez le bord arrière de la base de la scie au rail arrière **2** du support (Figure 14a).

**⚠ AVERTISSEMENT** Pour ne pas risquer de subir de blessure grave, assurez-vous que le bord avant recourbé des dispositifs de fixation repose bien au-dessus du rail du devant avant de mettre en place l'autre bout des dispositifs de fixation. Si vous ne faites pas cela, vous risquez de perdre le contrôle de l'ensemble de montage de la scie.

4. Abaissez la scie afin de permettre au bord avant de la base de la scie de reposer complètement au-dessus du rail avant (Figure 14b).
5. Vérifiez la position et effectuez un réglage si besoin est pour vous assurer que le poids de la scie est équilibré uniformément au-dessus des rails comme illustré à la Figure 14b.
6. Faites tourner les deux boutons de blocage rapide **1** dans le sens des aiguilles d'une montre et serrez-les fermement.
7. Assurez-vous que la base de la scie est bien en place et est verrouillée en place.

#### Pour retirer la scie du support :

1. Faites tourner les deux boutons de serrage rapide des brides de fixation dans le sens contraire des aiguilles d'une montre.
2. Soulevez la scie pour la détacher du rail avant du support afin de la désengager.

## Instalación

#### Montaje de la sierra para cortar ingletes en la base de soporte Skil (No incluida, disponible como accesorio)

**⚠ ADVERTENCIA** Para reducir el riesgo de lesiones, lea y entienda todas las instrucciones indicadas en la base de soporte Skil antes de montar la herramienta.

Asegúrese de que la base de soporte esté completamente ensamblada.

Ponga la base de soporte en una superficie sólida y nivelada.

Vea las Figuras 14a - 14b.

1. Gire los dos pomos de fijación rápida **1**, ubicados a cada lado de la parte trasera de la base de la sierra, en sentido contrario al de las agujas del reloj hasta que las abrazaderas se hayan retraído tanto como sea posible.
2. Levante la sierra, permitiendo que se incline ligeramente de manera que se aleje de su cuerpo.
3. Mientras la sierra aún está inclinada alejándose de usted, enganche el borde trasero de la base de la sierra en el riel trasero **2** de la base de soporte, figura 14a.

**⚠ ADVERTENCIA** Para evitar lesiones corporales graves, asegúrese de que el borde delantero curvo de los soportes de montaje esté firmemente asentado sobre el riel delantero antes de asentar el otro extremo de los soportes. Si no se hace así, el resultado podría ser que usted pierda el control del ensamblaje de montaje de la sierra.

4. Baje la sierra para permitir que el borde delantero de la base de la sierra se asiente completamente sobre el riel delantero, figura 14b.
5. Compruebe la posición y ajústela, si es necesario, para asegurarse de que el peso de la sierra este balanceado uniformemente sobre los rieles, de la manera que se muestra en la figura 14b.
6. Rote los dos pomos de fijación rápida **1** en el sentido de las agujas del reloj y apriételos firmemente.
7. Asegúrese de que la base de la sierra esté completamente asentada y fija en la posición correcta.

#### Para retirar la sierra de la base de soporte:

1. Gire los dos pomos de fijación rápida en sentido contrario al de las agujas del reloj.
2. Levante la sierra alejándola del riel delantero de la base de soporte para desacoplarla.
3. Con el ensamblaje ligeramente inclinado de manera que se aleje de usted, levante la parte trasera de la base de la sierra para desacoplarla del riel delantero de la base de soporte.



## Basic Saw Operations

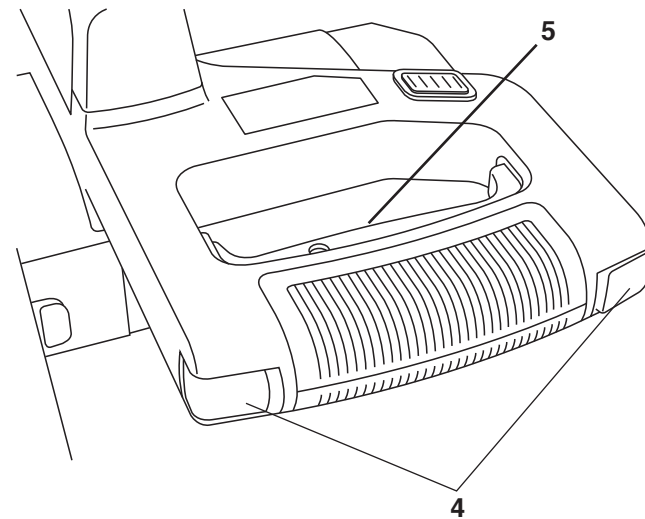
### Switch Activation

To reduce the likelihood of accidental start-up, the switch is equipped with safety buttons **4** that must be depressed before the trigger **5** can be activated (Figure 22). The safety buttons are designed to be activated by the right or left thumb pushing in the left to right direction. When either safety button is depressed, the trigger is unlocked and it can be pulled to activate the motor. Once the trigger is activated, release the safety button so it can automatically engage and lock the switch upon release of the trigger.

**⚠ WARNING** Avoid positioning the palm of your hand over the safety button. Pressure from the palm of your hand may unintentionally unlock the safety button or prevent it from automatically engaging and locking the switch upon release of the trigger.

**NOTE:** Switch can accommodate a padlock with a long shackle of up to 1/4" in diameter (not provided with compound miter saw) to prevent unauthorized use.

FIG. 22



## Opérations de base de la scie

### Actionnement par interrupteur

Pour réduire la probabilité d'une mise en marche accidentelle, l'interrupteur est pourvu de boutons de sécurité **4** qui doivent être enfoncés avant que la gâchette **5** ne puisse être actionnée (Figure 22). Les boutons de sécurité sont conçus de manière à être actionnés par le pouce droit ou gauche poussant de gauche à droite. Lorsque l'un ou l'autre bouton de sécurité est enfoncé, la gâchette est débloquée et elle peut être tirée afin d'actionner le moteur. Une fois la gâchette actionnée, relâchez le bouton de sécurité de manière à ce qu'il puisse être engagé automatiquement, et bloquez l'interrupteur dès relâchement de la gâchette.

**⚠ AVERTISSEMENT** Évitez de placer la paume de votre main par-dessus le bouton de sécurité. La pression de la paume de votre main peut débloquer par mégarde le bouton de sécurité ou l'empêcher de s'engager automatiquement et de bloquer l'interrupteur lors du relâchement de la gâchette.

**REMARQUE :** L'interrupteur peut recevoir un cadenas avec une tige longue d'un diamètre allant jusqu'à 1/4 po (non fourni avec la scie composée à onglet) afin de prévenir l'utilisation non autorisée.

## Operaciones básicas de la sierra

### Activación del interruptor

Para reducir las posibilidades de un arranque accidental, el interruptor está equipado con botones de seguridad **4** que se deben presionar antes de que se pueda activar el gatillo **5** (Figure 22). Los botones de seguridad están diseñados para ser activados con el dedo pulgar derecho o izquierdo empujando hacia adentro de izquierda a derecha. Cuando se presiona cualquiera de los botones de seguridad, el gatillo se desbloquea y se puede tirar de él para activar el motor. Una vez que se haya activado el gatillo, suelte el botón de seguridad de manera que pueda enganchar y fijar automáticamente el interruptor cuando se suelte el gatillo.

**⚠ ADVERTENCIA** Evite poner la palma de su mano sobre el botón de seguridad. La presión de la palma de la mano podría involuntariamente desbloquear el botón de seguridad o impedir que enganche y fije automáticamente el interruptor una vez que se suelta el gatillo.

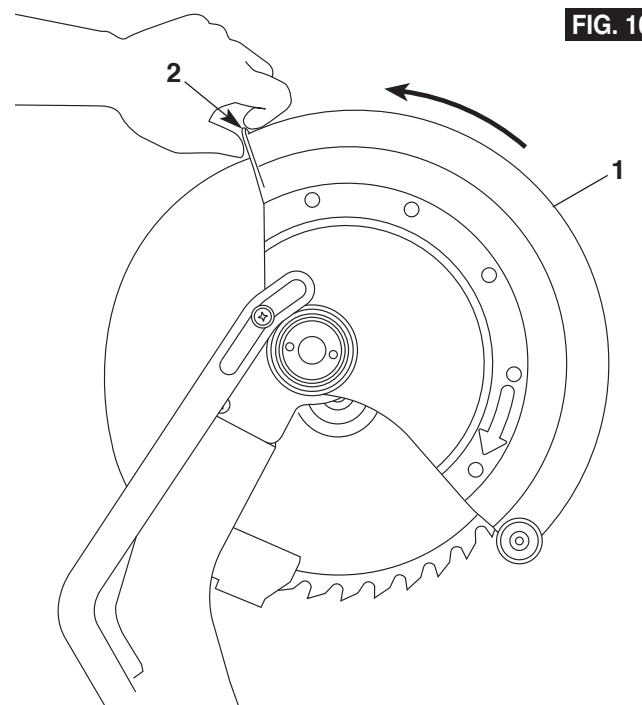
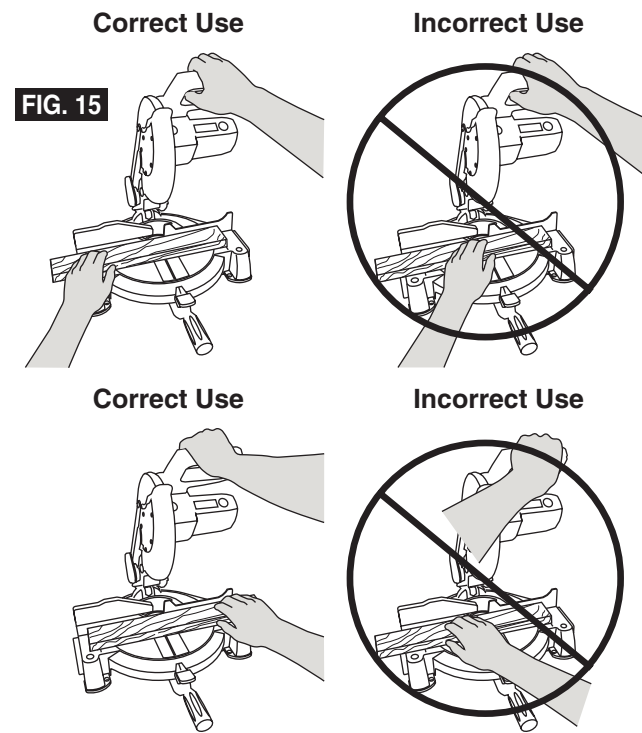
**NOTA:** El interruptor puede acomodar un candado con una barra larga de hasta 1/4" de diámetro (no suministrado con la sierra para cortar ingletes compuestos) para evitar el uso no autorizado.

## Basic Saw Operations

### Body and Hand Position

**WARNING** Position your body and hands properly to make cutting easier and safer. Observe the following instructions (Figure 15).

- **Never place hands near cutting area. Keep hands outside the “No Hands Zone”.** The “No Hands Zone” is defined as the area between marked lines on the left and right side of the Base, including the entire Table and portion of the Fence within these marked lines. This zone is labeled by “No Hands” symbols placed just inside the marked lines on the Base.
- Hold workpiece firmly to the fence to prevent movement.
- Keep hands in position until trigger has been released and blade has stopped completely.
- Keep feet firmly on the floor and maintain proper balance.
- Follow the miter arm when mitering left or right. Stand slightly to the side of the saw blade.
- Look through the lower guard if following a pencil line.
- Before making any cut, with the power off, lower the blade to preview the blade path.



**WARNING** The lower guard may not automatically open under certain cutting conditions. If this occurs:

- Typically this may occur when trying to cut workpieces that are near the maximum cutting height capacity. Under these conditions, the workpiece can stop the lower guard movement before the downward motion of the arm could reopen the lower guard. If this occurs:
- Workpiece must be securely clamped. This frees your left hand to raise the guard **1** by the lip **2** just enough to clear the workpiece (Figure 16).
- Start the saw and begin your cut.
- Once you have cleared the position where the lower guard may bind, release the guard and it will continue to raise automatically as you cut.

Be aware of the path of the saw blade. Make a dry run with the saw OFF by conducting a simulated cutting cycle, and observe the projected path of the saw blade. Keep hands out of the path of the spinning blade.

**DRY RUN**—It is important to know where the blade will intersect with the workpiece during cutting operations. Always perform the simulated cutting sequence with the power tool switched OFF to gain an understanding of the projected path of the saw blade. Mentally note where the path of saw blade will fall and set up your work to keep your hands and arms out of the path of the spinning blade. Adjust your clamps and fences so that the smooth operation of lower guard and cutting action is not interfered with during cutting operation.

## Opérations de base de la scie

### Position du corps et des mains

**AVERTISSEMENT** Positionnez votre corps et vos mains adéquatement pour rendre la coupe plus facile et plus sûre. Observez les instructions suivantes (Figure 15).

- **Ne placez jamais les mains à proximité de l'aire de coupe. Gardez les mains à l'extérieur de la zone interdite aux mains.** La zone interdite aux mains se définit comme la zone entre les lignes marquées sur les côtés gauche et droit de la base, y compris toute la table et une partie du guide à l'intérieur de ces lignes marquées. Cette zone est identifiée par les symboles d'interdiction aux mains placés immédiatement à l'intérieur des lignes marquées sur la base.
- Tenez l'ouvrage fermement sur le guide pour empêcher tout mouvement.
- Gardez les mains en place jusqu'à ce que la gâchette ait été relâchée et que la lame se soit complètement arrêtée.
- Gardez les pieds fermement sur le plancher et maintenez un bon équilibre.
- Suivez le bras d'onglet en coupant à gauche ou à droite. Tenez-vous légèrement sur le côté de la lame de scie.
- Regardez à travers le protecteur inférieur si vous suivez une ligne de crayon.
- Avant de pratiquer quelque coupe que ce soit et l'outil étant hors tension, abaissez la lame pour visualiser préalablement le parcours de la lame.

**AVERTISSEMENT** Il se peut que le protecteur inférieur ne s'ouvre pas automatiquement dans certaines conditions de coupe. Dans ce cas :

- Ceci peut se produire généralement en tentant de couper des ouvrages qui se rapprochent de la capacité maximum de hauteur de coupe. Dans ces conditions, l'ouvrage peut arrêter le mouvement du protecteur inférieur avant que le mouvement vers le bas du bras ne puisse préouvrir le protecteur inférieur. Dans ce cas :
- L'ouvrage doit être cramponné solidement. Ceci libère votre main gauche pour soulever le protecteur **1** par le rebord **2** suffisamment pour passer à côté de l'ouvrage (Figure 16).
- Mettez la scie en marche et commencez votre coupe.
- Lorsque vous êtes passé à côté de la position où le protecteur inférieur peut gripper, relâchez le protecteur et il continuera à lever automatiquement au fur et à mesure que vous coupez.

Soyez attentif à la trajectoire de la lame de scie. Faites un essai de sciage à blanc avec la scie arrêtée, simulez un cycle de sciage et repérez la trajectoire de la lame de scie. Éloignez les mains de la trajectoire de la lame de scie.

**SCIAGE À BLANC** – Il est important de savoir où la lame rencontre la pièce pendant le sciage. Effectuez toujours la simulation de coupe avec la scie à l'arrêt afin de comprendre la trajectoire de la lame de scie. Prenez note mentalement de la position de la trajectoire de la lame de scie et positionnez la pièce de manière à ce que vos mains et vos bras ne se trouvent pas dans la trajectoire de la lame en rotation. Réglez vos brides et guides de manière à ne pas entraver le mouvement de coupe ou de nuire à la régularité du mouvement du capot protecteur inférieur.

## Operaciones básicas de la sierra

### Posición del cuerpo y de las manos

**ADVERTENCIA** Posicione el cuerpo y las manos de modo adecuado para hacer que las operaciones de corte sean más fáciles y seguras. Siga las instrucciones siguientes (Figura 15).

- **Nunca ponga las manos cerca del área de corte. Mantenga las manos fuera de la “Zona de no tocar con la mano”.** La “Zona de no tocar con la mano” se define como el área entre las líneas marcadas en el lado izquierdo y en el lado derecho de la base, incluyendo toda la mesa y parte del tope-guía dentro de estas líneas marcadas. Esta zona está rotulada con símbolos de “No tocar con la mano” colocados justo dentro de las líneas marcadas en la base.
- Sujete la pieza firmemente al tope-guía para evitar que se mueva.
- Mantenga las manos en su sitio hasta que se haya soltado el gatillo y la hoja se haya detenido completamente.
- Mantenga los pies firmemente en el piso y mantenga un equilibrio adecuado.
- Siga el brazo de inglete al ingletear a la izquierda o a la derecha. Sitúese ligeramente a un lado de la hoja de sierra.
- Mire a través del protector inferior si está siguiendo una línea de lápiz.
- Antes de hacer cualquier corte, con la herramienta apagada, baje la hoja para ver con antelación la trayectoria de la misma.

**ADVERTENCIA** Puede que el protector inferior no se abra automáticamente en ciertas condiciones de corte. Si esto sucede:

- Generalmente, esto puede suceder al intentar cortar piezas de trabajo que están cerca de la capacidad de altura de corte máxima. En estas condiciones la pieza de trabajo puede detener el movimiento del protector inferior antes de que el movimiento hacia abajo del brazo pueda preabrir el protector inferior. Si esto sucede:
- La pieza de trabajo debe sujetarse firmemente con abrazaderas. Esto deja libre la mano izquierda para subir el protector **1** por el reborde **2** justo lo suficiente para que no toque la pieza de trabajo (Figura 16).
- Arranque la sierra y comience el corte.
- Una vez que haya despejado la posición donde el protector inferior podría atascarse, suelte el protector y éste continuará subiendo automáticamente a medida que usted corte.

Tenga en cuenta la trayectoria de la hoja. Haga una prueba con la sierra APAGADA, haciendo un ciclo simulado de corte y observe la trayectoria de la hoja. Mantenga las manos fuera de la trayectoria de la hoja.

**PRUEBA** – Es importante saber dónde se van a intersectar la hoja y la pieza en las operaciones de corte. Haga siempre la secuencia simulada de corte con la herramienta APAGADA, para comprender la trayectoria proyectada de la hoja. Tenga en cuenta mentalmente dónde cae la trayectoria de la sierra, y sostenga su pieza manteniendo sus manos y brazos fuera de la trayectoria de la hoja giratoria. Ajuste las abrazaderas y topes-guía de modo que no interfieran con el protector inferior ni la acción de corte durante la operación.



## Basic Saw Operations

### Workpiece Support

**WARNING** Long workpieces have a tendency to tip over unless clamped down and properly supported from underneath.

#### Clamps

**Vertical Clamp** - This clamp easily secures a workpiece in any of two (2) clamp holes in the base (Figure 17).

1. Insert clamp post into clamp hole 1.
2. Loosen wing nut 2 and adjust arm to proper height, and securely tighten wing nut.
3. Rotate screw knob 3 of the clamp clockwise to tighten, counter-clockwise to loosen.
4. Move the head assembly to check clearance with clamp.

**WARNING** There may be extreme compound cuts where supplied clamp cannot be used. Support with hand outside No Hands Zone or use conventional clamps. **Do not try to cut short pieces** that cannot be clamped and cause your hand to be in the No Hands Zone. Do not position clamp over an unsupported portion of the workpiece.

**Conventional Clamps** and other hold down devices can be used to hold the workpiece firmly against the table and the fence (Figure 18).

#### Additional Workpiece Support

**Blocks** - Long pieces need extra support. The base height is 4-3/16". Boards of these thicknesses can be used to create auxiliary support for extensions for long workpieces.

**Extension Rails 4 and Extension table 5** - These attachments allow extra support for longer workpieces. Refer to the instructions on page 59 for extension table instructions (Figure 19).

To assembly extension rails 4, push rail 4 into accessory extension holes on either side of the base until rail hits the hard stop. Secure the rails by tightening the knob 6 on front of the base (Figure 20).

FIG. 17

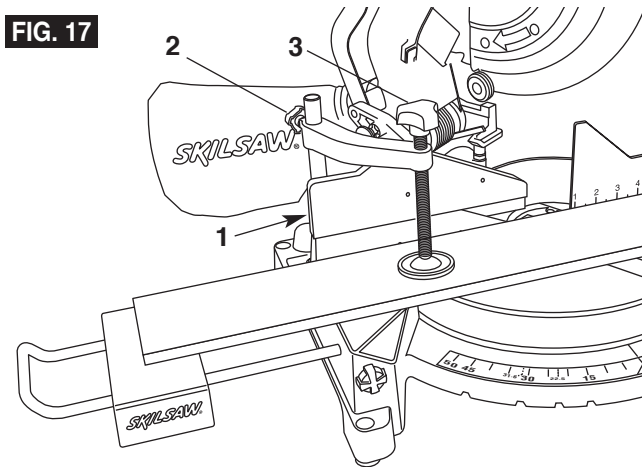


FIG. 18

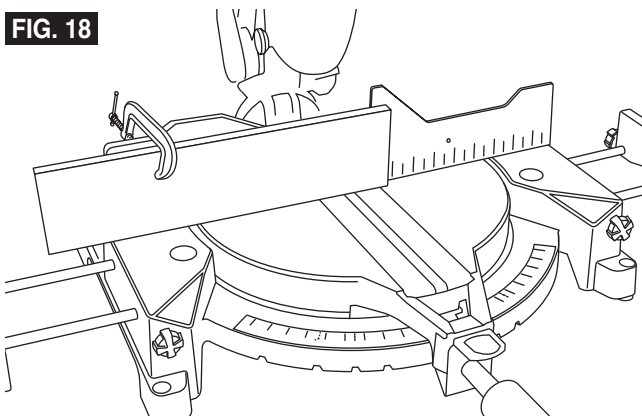


FIG. 19

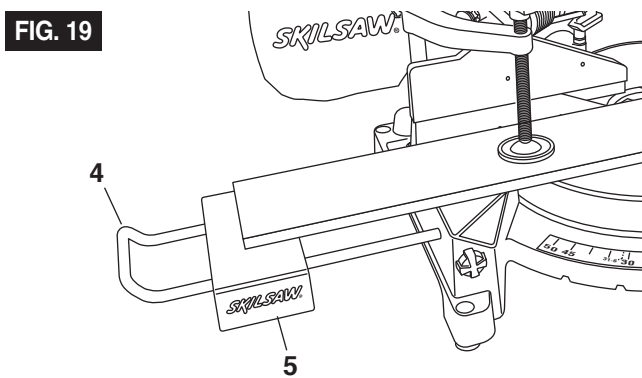
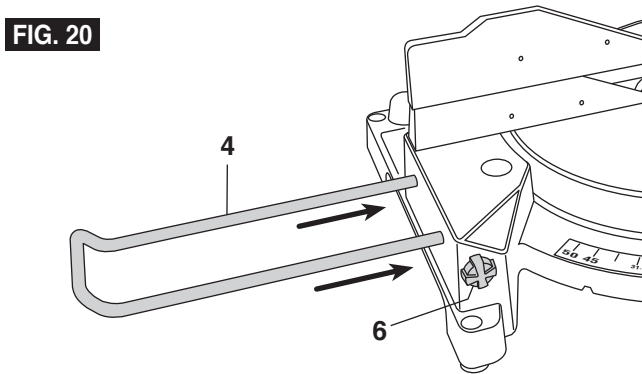


FIG. 20



## Opérations de base de la scie

### Support de l'ouvrage

**AVERTISSEMENT** Les ouvrages longs ont tendance à basculer à moins qu'ils ne soient cramponnés et ne soient dûment supportés par en-dessous.

#### Serre-joints

**Serre-joint pour fixation verticale** - ce serre-joint permet de fixer un ouvrage sans difficulté dans l'un des deux (2) trous de serre-joint derrière le guide (Figure 17).

1. Insérez le montant du serre-joint dans le trou de serre-joint 1.
2. Desserrez l'écrou à oreilles 2 et ajustez le bras à la hauteur appropriée, puis serrez l'écrou à oreilles à fond.
3. Tournez le bouton à vis 3 du serre-joint dans le sens horaire pour serrer, dans le sens horaire pour desserrer.
4. Déplacez la tête afin de vérifier l'écartement avec le serre-joint.

**AVERTISSEMENT** Il peut y avoir des coupes composées extrêmes lorsque le serre-joint fourni ne peut pas être utilisé. Supportez avec la main à l'extérieur de la zone interdite aux mains ou utilisez des serre-joints conventionnels. **N'essayez pas de couper des pièces courtes** qui ne peuvent être cramponnées et vous obligerait à mettre la main dans la zone interdite aux mains. Ne positionnez pas le serre-joint sur une partie non supportée de l'ouvrage.

On peut utiliser les serre-joints conventionnels et autres dispositifs de retenue pour tenir l'ouvrage fermement contre la table et le guide (Figures 18).

#### Support additionnel pour l'ouvrage

**Blocs** - Les ouvrages longs nécessitent un soutien supplémentaire. La hauteur de la base est de 4 3/16 po. Des planches de ces épaisseurs peuvent être utilisées afin de créer un soutien auxiliaire pour des rallonges destinées à des ouvrages très longs.

**Rails de prolongement 4 et rallonges de tables 5** - Ces accessoires fournissent un soutien supplémentaire pour les ouvrages très longs. Référez-vous aux instructions de la page 60 en ce qui concerne les rallonges de tables (Figure 19).

Pour assembler les rails de prolongement 4, poussez le rail 4 dans les trous des rallonges pour accessoires d'un côté quelconque de la base jusqu'à ce que le rail entre en contact avec la butée dure. Assujettissez les rails en serrant la vis 6 sur le dessus de la base (Figure 20).

## Operaciones básicas de la sierra

### Soporte de la pieza de trabajo

**ADVERTENCIA** Las piezas de trabajo largas tienen tendencia a inclinarse a menos que estén sujetas con abrazaderas y soportadas adecuadamente desde debajo.

#### Abrazaderas

**Abrazadera vertical:** Esta abrazadera sujeta firmemente una pieza de trabajo en cualquiera de los dos (2) agujeros para abrazadera ubicados en la base (Figura 17).

1. Introduzca el poste de la abrazadera en el agujero para abrazadera 1.
2. Afloje la tuerca de mariposa 2, ajuste el abrazo a la altura adecuada y apriete firmemente la tuerca de mariposa.
3. Gire el pomo roscado 3 de la abrazadera en el sentido de las agujas del reloj para apretar y en sentido contrario al de las agujas del reloj para aflojar.
4. Mueva el ensamblaje del cabezal para comprobar el espacio libre con la abrazadera

**ADVERTENCIA** Es posible que haya cortes compuestos extremos en los que no se pueda utilizar la abrazadera suministrada. Sujete la pieza de trabajo con la mano fuera de la "Zona de no tocar con la mano" o utilice abrazaderas convencionales. **No intente cortar piezas cortas** que no se puedan fijar con una abrazadera y que puedan hacer que la mano esté entre en la "Zona de no tocar con la mano". No posicione la abrazadera sobre una porción no soportada de la pieza de trabajo.

Las abrazaderas convencionales y otros dispositivos de sujeción se pueden usar para sujetar las piezas de trabajo firmemente contra la mesa y el tope-guía (Figura 18).

#### Soporte adicional para la pieza de trabajo

**Bloques:** Las piezas largas necesitan soporte adicional. La altura de la base es de 4-3/16". Se pueden utilizar tablas de este grosor para crear soporte auxiliar para extensiones para piezas de trabajo largas.

**Rieles de extensión 4 y mesa de extensión 5:** Estos aditamentos proporcionan soporte adicional para piezas de trabajo más largas. Consulte la página 60 para obtener instrucciones sobre la mesa de extensión (Figura 19).

Para ensamblar los rieles de extensión 4, empuje el riel 4 hacia el interior de los agujeros para la extensión accesoria ubicados en cualquiera de los dos lados de la base, hasta que el riel llegue al tope duro. Sujete firmemente los rieles apretando el tornillo 6 sobre la base (Figura 20).

## Basic Saw Operations

**Auxiliary Fence** - Certain types of molding need a fence face extension because of the size and position of the workpiece. Holes are provided in the fence to attach an auxiliary fence. The auxiliary fence is used with the saw in the 0° bevel position only.

1. Place a piece of wood **1** against the miter saw fence (Figure 21). Wood can have a maximum height of 4" on the left side and 4" on the right side. Maximum thickness for the wood is 1/2". Check that head assembly does not interfere with auxiliary fence.)
2. Mark the locations of the support holes on the wood from the back side of the fence.
3. Drill the holes on the back of the support board.
4. From the back side of the miter saw fence, attach the auxiliary fence using four (4) flat head screws **2**. Make a full depth cut to create the blade slot **3**. Check for interference between the auxiliary fence and the lower blade guard. Make adjustments as necessary.

**WARNING** Check for interference between auxiliary fence and saw head components by performing a dry run. Fence interference can prevent proper saw operation and cause injury and/or tool damage.

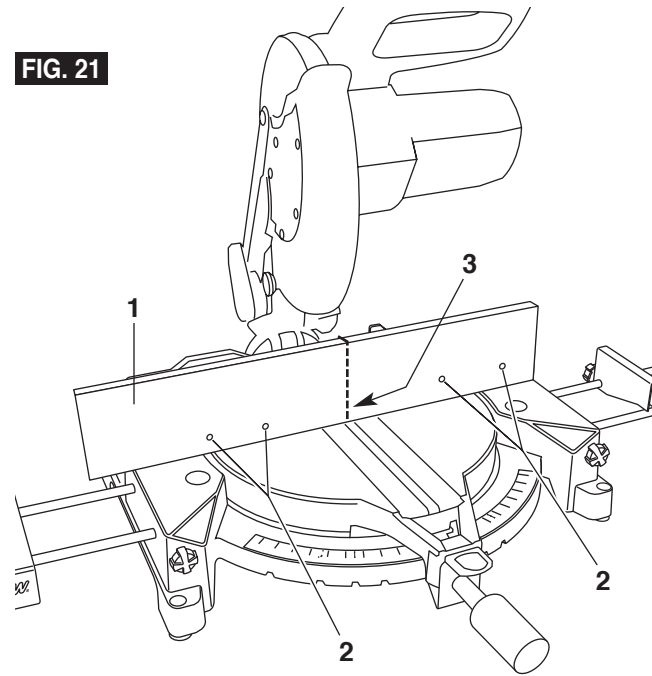
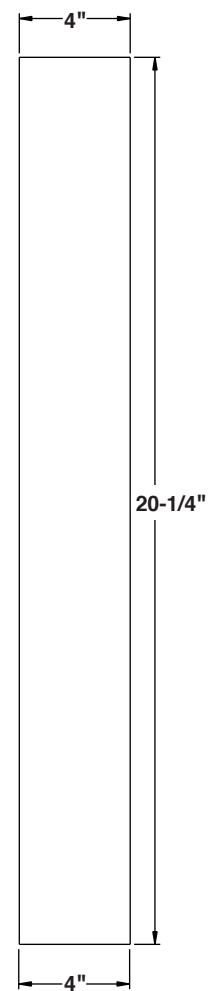


FIG. 22



## Opérations de base de la scie

**Guide auxiliaire** — Certains types de moulure nécessitent une rallonge de face de guide en raison de la dimension et de la position de l'ouvrage. Des trous sont pratiqués dans le guide pour fixer un guide auxiliaire. Le guide auxiliaire est utilisé avec la scie en position biseau 0° seulement.

1. Placez une pièce de bois **1** contre le guide de la scie à onglet (Figure 21). Le bois peut avoir une hauteur maximum de 4 po du côté gauche et de 4 po du côté droit. L'épaisseur maximum pour le bois est de 1/2 po. Assurez-vous que l'ensemble de tête ne fait pas obstacle au mouvement du guide auxiliaire.
2. Percez les trous à l'arrière de la planche de support.
3. Percez et fraisez les trous à l'avant de la planche de support.
4. Depuis le côté arrière du guide de la scie à onglet, attachez le guide auxiliaire au moyen de quatre (4) vis à tête plate **2**. Pratiquez une coupe de profondeur normale pour créer la fente à lame **3**. Vérifiez s'il y a interférence entre le guide auxiliaire et le protecteur inférieur de lame. Faites des ajustements au besoin.

**AVERTISSEMENT** Assurez-vous qu'il n'y a pas d'interférence entre le guide auxiliaire et certains composants de la tête de la scie en effectuant une opération à vide. Une interférence du guide pourrait empêcher la scie de fonctionner correctement et risquerait de causer des blessures et/ou de causer des dommages à l'outil.

## Operaciones básicas de la sierra

**Tope-guía auxiliar:** Ciertos tipos de moldura necesitan una extensión de la cara del tope-guía debido al tamaño y la posición de la pieza de trabajo. El tope-guía cuenta con agujeros para sujetar un tope-guía auxiliar. El tope-guía auxiliar se usa con la sierra en la posición de bisel de 0° solamente.

1. Coloque un pedazo de madera **1** contra el tope-guía de la sierra para cortar ingletes (Figura 21). La madera puede tener una altura máxima de 4 pulgadas en el lado izquierdo y 4 pulgadas en el lado derecho. El grosor máximo para la madera es 1/2 de pulgada. Asegúrese de que el ensamblaje del cabezal no interfiera con el tope-guía auxiliar.
2. Marque las ubicaciones de los agujeros de soporte en la madera desde el lado posterior del tope-guía.
3. Taladre los agujeros en la parte trasera de la tabla de soporte.
4. Desde el lado trasero del tope-guía de la sierra para cortar ingletes, instale el tope-guía auxiliar utilizando cuatro (4) tornillos de cabeza plana **2**. Haga un corte de profundidad completa para crear la ranura para la hoja **3**. Compruebe si hay interferencia entre el tope-guía auxiliar y el protector inferior de la hoja. Haga ajustes según sea necesario.

**ADVERTENCIA** Compruebe si hay interferencia entre el tope-guía auxiliar y los componentes del cabezal de la sierra realizando una pasada en vacío. Una interferencia con el tope-guía puede impedir el funcionamiento correcto de la sierra y causar lesiones y/o daños a la herramienta.



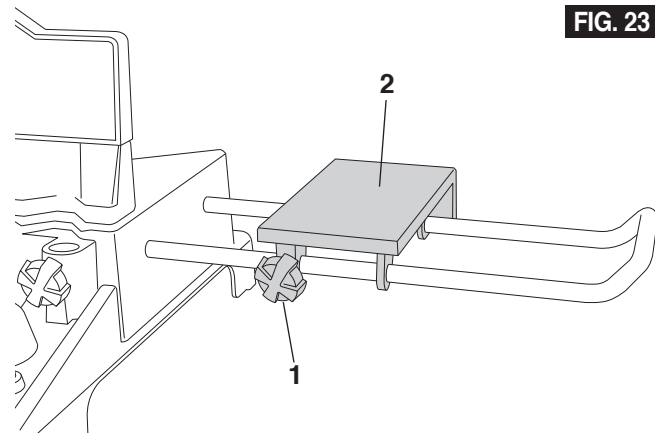
## Basic Saw Operations

### Table Extension

**WARNING** Always extend and use table extension when making cuts to maintain safe hand distance (minimum 6" from blade to hand).

Install the table extension to the side of the base where hand support is needed to properly support the workpiece.

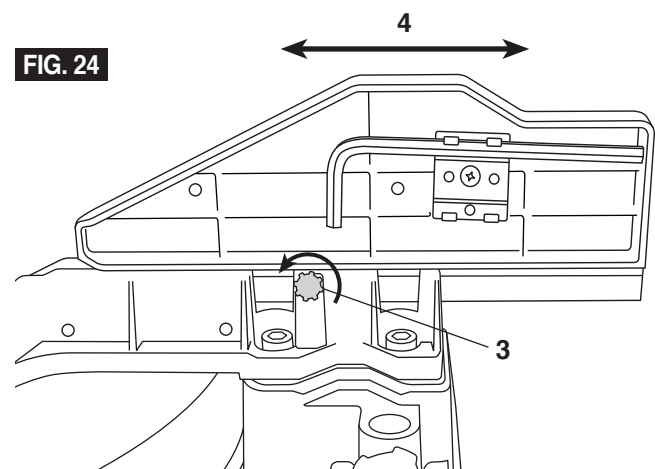
1. Loosen the thumbscrew **1** in table extension channel (Figure 23).
2. Slide table extension **2** to the desired position.
3. Tighten thumbscrew **2**.



### Sliding Fence:

1. Unlock the fence locking knob **3** (Figure 24).
2. Slide fence to proper position **4**.
3. Relock fence in place.
4. Move the head assembly to check clearance with fence.

**CAUTION** During transportation, sliding fence should always be secured in the full in position.

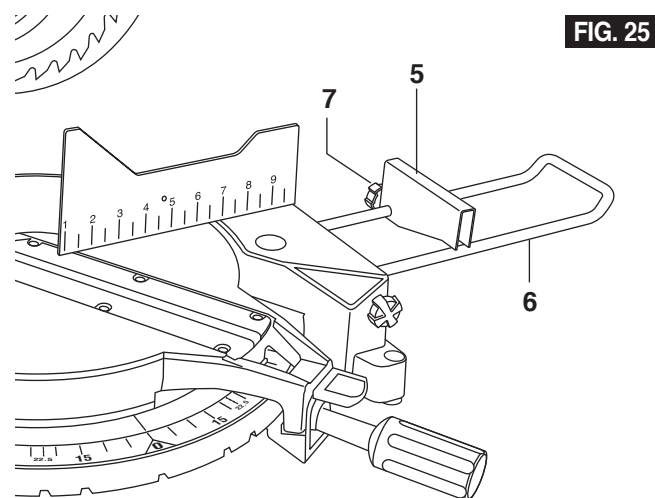


### Stop Block:

Stop block can be used to make repetitive length cuts.

1. Attach stop block **5** to extension rail **6** (Figure 25).
2. Loosen thumbscrew **7** on backside of stop block **5**.
3. Slide stop block to desired length of cut.
4. Tighten thumbscrew.

**Note:** Stop block can be stored by loosening knob and flipping stop block.



## Opérations de base de la scie

### Table de rallonge

**AVERTISSEMENT** Déployez et utilisez toujours la table de rallonge lorsque vous réalisez des coupes afin de maintenir une distance sûre pour la main (au minimum 6 po (15 cm) entre la lame et la main).

Installez la table de rallonge sur le côté de la base où un soutien de la main est nécessaire pour supporter correctement l'ouvrage.

1. Desserrez la vis de serrage à main **1** dans le support de la table de rallonge (Figure 23).
2. Faites glisser la table de rallonge jusqu'à la position désirée.
3. Serrez la vis à serrage à main **2**.

### Guide à glissière :

1. Débloquez le bouton **3** de blocage du guide (Figure 24).
2. Faites glisser le guide à la position appropriée **4**.
3. Rebloquez le guide en place.
4. Déplacez la tête vérifier l'écartement avec le guide.

**MISE EN GARDE** Pendant le transport, le guide à glissière doit toujours être bloqué dans la position complètement rétractée.

### Bloc de butée :

Un bloc de butée peut être utilisé pour faire des coupes longitudinales répétées.

1. Attachez le bloc de butée **5** au rail de prolongement **6** (Figure 25).
2. Desserrez la vis à serrage à main **7** du côté arrière du bloc de butée **5**.
3. Faites glisser le bloc de butée jusqu'à la longueur de coupe désirée.
4. Serrez la vis à serrage à main.

**Remarque :** le bloc de butée peut être rangé en desserrant le bouton et en faisant basculer le bloc de butée.

## Operaciones básicas de la sierra

### Extensión de la mesa

**ADVERTENCIA** Extienda y use siempre la extensión de la mesa cuando haga cortes, para mantener una distancia segura a la mano (un mínimo de 6 pulgadas de la hoja a la mano).

Instale la extensión de la mesa en el lado de la base donde se necesite soporte con la mano para sostener apropiadamente la pieza de trabajo.

1. Afloje el tornillo de apriete manual **1** ubicado en el canal de la extensión de la mesa (Figura 23).
2. Deslice la extensión de la mesa **2** hasta la posición deseada.
3. Apriete el tornillo de apriete manual **2**.

### Tope-guía deslizante:

1. Suelte la pomo de fijación del tope-guía **3** (figura 24).
2. Deslice el tope-guía a la posición apropiada **4**.
3. Vuelva a fijar el tope-guía en su sitio.
4. Mueva el ensamblaje del cabezal para comprobar el espacio libre con el tope-guía.

**PRECAUCION** Durante el transporte, el tope-guía deslizante siempre debe estar firmemente sujeto en la posición completamente hacia dentro.

### Bloque de tope:

El bloque de tope se puede utilizar para realizar cortes de longitud repetida.

1. Sujete el bloque de tope **5** en el riel de extensión **6** (Figura 25).
2. Afloje el tornillo de apriete manual **7** en el lado trasero del bloque de tope **5**.
3. Deslice el bloque de tope hasta la longitud de corte deseada.
4. Apriete el tornillo de apriete manual.

**Nota:** El bloque de tope se puede almacenar aflojando el pomo y volteando el tope de bloque.

## Saw Operations

### Miter Cut

- A miter cut is made at 0° bevel and any miter angle in the range from 50° left to 50° right.
- Positive detents have been provided for fast and accurate mitering at 0°, 15°, 22.5°, and 45° left and right.
- There is also a crown molding detent at 31.6° (see Cutting Crown Molding for more information page 67).
- For maximum support, the sliding fence must always be as close to the blade as possible without interfering with head assembly. (see Sliding fence adjustment, if necessary, page 59).

#### Follow these instructions for making your miter cut:

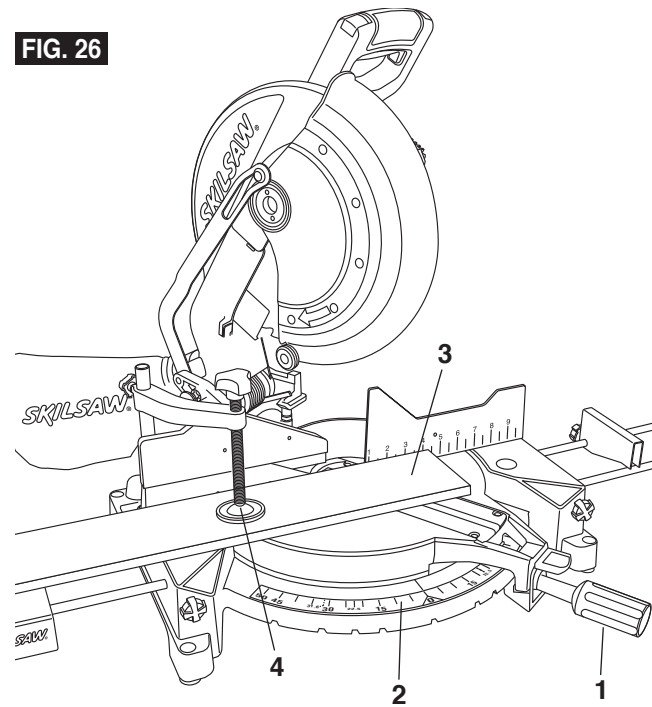
1. Loosen miter lock knob **1**. Press down on miter lock detent lever and move the saw to the desired angle, using either the detents or the miter scale **2**. Tighten miter lock knob (Figure 26).
2. Properly position workpiece **3**. Make sure workpiece is clamped **4** firmly against the table and the fence.
3. Extend the table extension on the side of the table where hand support is needed to properly support the workpiece. (see Table Extension section in page 59.)

**WARNING** Use clamping position that does not interfere with operation. Before switching on, lower head assembly to make sure clamp clears guard and head assembly.

4. Activate the switch. Lower the head assembly and make your cut.
5. Wait until blade comes to a complete stop before returning head assembly to the raised position and/or removing workpiece.

Please note: the inch-marking on the fence is for reference only. There is an off-set of the zero-point while miter cutting.

FIG. 26



## Opérations de la scie

### Coupe à l'onglet

- Une coupe à l'onglet est pratiquée au biseau 0° et à tout angle d'onglet variant entre 50° à gauche et 50° à droite.
- Des crans d'arrêt positifs ont été créés à 0°, 15°, 22,5° et 45° à gauche et à droite en vue d'une coupe rapide et exacte.
- Il existe également un cran d'arrêt moulures en couronne à 31,6° (voir Coupe de moulures en couronne pour de plus amples informations, à la page 68).
- Pour assurer le maximum de soutien, le guide à glissière doit toujours être aussi près que possible de la lame sans faire obstacle au mouvement de la tête. (Si nécessaire, référez-vous à la rubrique consacrée au réglage du guide à glissière, page 60.)

#### Suivez ces instructions pour pratiquer votre coupe à l'onglet :

1. Desserrez le bouton de blocage d'onglet **1**. Appuyez sur le levier de déverrouillage des crans d'arrêt de la scie à onglet et déplacez la scie jusqu'à l'angle désiré en utilisant soit les crans d'arrêt, soit l'échelle graduée d'onglet **2**. Serrez le bouton de blocage d'onglet (Figure 26).
2. Positionnez l'ouvrage **4** adéquatement. Assurez-vous que l'ouvrage est cramponné **5** fermement contre la table et le guide.
3. Déployez la table de rallonge sur le côté de la table où un soutien de la main est nécessaire pour supporter correctement l'ouvrage. (Voir la section Table de rallonge à la page 60).

**AVERTISSEMENT** Utilisez une position de cramponnage qui ne gêne pas le fonctionnement. Avant de mettre en marche, abaissez la tête pour vous assurer d'un écartement suffisant entre le serre-joint, d'une part, et le protecteur et la tête, d'autre part.

4. Actionnez l'interrupteur. Abaissez la tête et pratiquez votre coupe.
5. Attendez que la lame s'immobilise complètement avant de remettre la tête à la position levée et/ou de retirer l'ouvrage.

Veillez noter : le repère en pouces sur le guide n'est fourni qu'à titre de référence. Il existe un décalage par rapport au point zéro pendant la coupe à l'onglet.

## Operaciones de la sierra

### Corte a inglete

- Un corte a inglete se hace a un bisel de 0° y cualquier ángulo de inglete en el intervalo de 50° a la izquierda a 50° a la derecha.
- Se han provisto retenes positivos para un ingleteado rápido y preciso a 0°, 15°, 22.5° y 45° a la izquierda y a la derecha.
- También hay un retén para moldura de techo a 31.6° (vea Corte de moldura de techo para obtener más información en la página 68).
- Para proporcionar el máximo soporte, el tope-guía deslizante debe estar siempre lo más cerca posible de la hoja sin interferir con el ensamblaje del cabezal (consulte Ajuste del tope-guía deslizante, si es necesario, en la página 60).

#### Siga estas instrucciones para hacer un corte a inglete:

1. Afloje el pomo de fijación de inglete **1**. Presione hacia abajo sobre la palanca de retén de fijación de inglete y mueva la sierra hasta el ángulo deseado, usando los retenes o la escala de ingletes **2**. Apriete el pomo de fijación de inglete (Figura 26).
2. Posicione la pieza de trabajo **4** adecuadamente. Asegúrese de que la pieza de trabajo esté fijada con abrazadera **5** firmemente contra la mesa y el tope-guía.
3. Extienda la extensión de la mesa en el lado de la mesa donde se necesite soporte con la mano para sostener apropiadamente la pieza de trabajo. (Consulte la sección Extensión de la mesa en la página 60.)

**ADVERTENCIA** Use una posición de fijación con abrazadera que no interfiera con la operación. Antes de encender la sierra, baje el ensamblaje del cabezal para asegurarse de que la abrazadera no toque ni el protector ni el ensamblaje del cabezal.

4. Active el interruptor. Baje el ensamblaje del cabezal y haga el corte.
5. Espere hasta que la hoja se detenga por completo antes de volver a colocar el ensamblaje del cabezal en la posición subida y/o retirar la pieza de trabajo.

Sírvase tener presente lo siguiente: Las marcas de pulgadas ubicadas en el tope-guía son sólo para referencia. Hay un desplazamiento del punto cero mientras se corta a inglete.

## Saw Operations

### Bevel Cut

- A bevel cut is made at 0° miter and any bevel angle in the range of 0° to 48°.
- There are two (2) factory set bevel stops at 0° and 45°. (See Adjustment section if adjustments are required.)
- The bevel scale faces the operator for easy reading.
- Use table extension as appropriate. (See Table Extension page 59.)

Follow these instructions for making your bevel cut:

**WARNING** When bevel cutting remember to “lock” cutting head in every position before proceeding, so head does not unexpectedly shift in use.

1. Move the sliding fence to proper position **1**. (See Sliding Fence on page 59.)
2. Extend the table extension on the side of the table where hand support is needed to properly support the workpiece. (see Table Extension section in page 59.)
3. Loosen the bevel lock handle. Tilt the head assembly to desired bevel angle **2**. Tighten the bevel lock handle (Figure 27).
4. Properly position workpiece **3**. Make sure workpiece is clamped **4** firmly against the table and the fence **5**.

**WARNING** Use clamping position that does not interfere with operation. Before switching on, lower head assembly to make sure clamp clears guard and head assembly.

5. Activate the switch. Lower the head assembly and make your cut.
6. Wait until blade comes to a complete stop before returning head assembly to the raised position and/or removing workpiece.

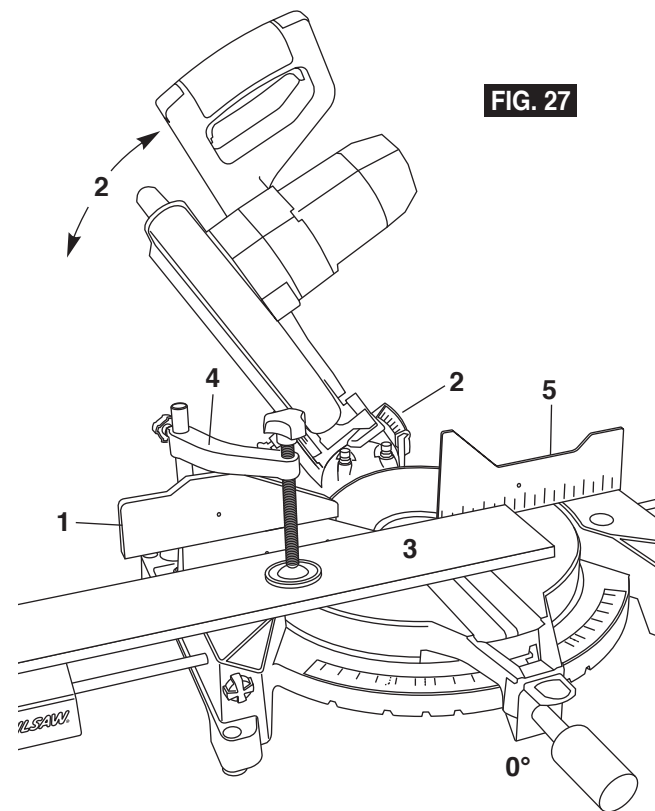


FIG. 27

## Opérations de la scie

### Coupe en biseau

- Une coupe en biseau est pratiquée à onglet de 0° et à tout angle de biseau variant entre 0° et 48°.
- Il existe bon nombre de butées de biseau réglées en usine à 0° et 45°. (Voir section Réglage si des ajustements sont nécessaires.)
- L'échelle de biseau est dirigée vers l'opérateur pour faciliter la lecture.
- Utilisez la table de rallonge dans la mesure des besoins. (Voir Table de rallonge, page 60).

Suivez ces instructions pour pratiquer votre coupe en biseau :

**AVERTISSEMENT** Lorsque vous coupez un biseau, souvenez-vous de « verrouiller » la tête de coupe dans chaque position avant de continuer de façon que la tête ne se déplace pas de manière inattendue pendant l'opération.

1. Déplacez le guide à glissière à la position appropriée **1**. (Voir Guide à glissière à la page 60.)
2. Déployez la table de rallonge sur le côté de la table où un soutien de la main est nécessaire pour supporter correctement l'ouvrage. (Voir la section Table de rallonge à la page 60.)
3. Desserrez la poignée de blocage de biseau. Inclinez la tête à l'angle de biseau désiré **2**. Serrez la poignée de blocage de biseau (Figure 27).
4. Positionnez l'ouvrage adéquatement **3**. Assurez-vous que l'ouvrage est cramponné **4** fermement contre la table et le guide **5**.

**AVERTISSEMENT** Utilisez une position de cramponnage qui ne gêne pas le fonctionnement. Avant de mettre en marche, abaissez la tête pour vous assurer d'un écartement suffisant entre le serre-joint, d'une part, et le protecteur et la tête, d'autre part.

5. Actionnez l'interrupteur. Abaissez la tête et pratiquez votre coupe.
6. Attendez que la lame s'immobilise complètement avant de remettre la tête à la position levée et/ou de retirer l'ouvrage.

## Operaciones de la sierra

### Corte en bisel

- Un corte a inglete se hace a un bisel de 90° y cualquier ángulo de inglete en el intervalo de 0° a 48°.
- Hay muchos topes de bisel ajustados en fábrica a 0° y 45°. (Vea la sección Ajuste si es necesario realizar ajustes.)
- La escala de bisel está orientada hacia el operador para facilitar su lectura.
- Use la extensión de la mesa según sea apropiado. (Consulte Extensión de la mesa en la página 60.)

Siga estas instrucciones para hacer un corte en bisel:

**ADVERTENCIA** Cuando corte en bisel, recuerde “bloquear” el cabezal de corte en cada posición antes de seguir adelante, para que el cabezal no cambie de posición inesperadamente durante el uso.

1. Mueva el tope-guía deslizante a la posición apropiada **1**. (Ver Tope-guía deslizante en la página 60.)
2. Extienda la extensión de la mesa en el lado de la mesa donde se necesite soporte con la mano para sostener apropiadamente la pieza de trabajo. (Consulte la sección Extensión de la mesa en la página 60.)
3. Afloje el mango de fijación de bisel. Incline el ensamblaje del cabezal hasta el ángulo de bisel deseado **2**. Apriete el mango de fijación de bisel (Figura 27).
4. Posicione adecuadamente la pieza de trabajo **3**. Asegúrese de que la pieza de trabajo esté fijada con abrazadera **4** firmemente contra la mesa y el tope-guía **5**.

**ADVERTENCIA** Use una posición de fijación con abrazadera que no interfiera con la operación. Antes de encender la sierra, baje el ensamblaje del cabezal para asegurarse de que la abrazadera no toque ni el protector ni el ensamblaje del cabezal.

5. Active el interruptor. Baje el ensamblaje del cabezal y haga el corte.
6. Espere hasta que la hoja se detenga por completo antes de volver a colocar el ensamblaje del cabezal en la posición subida y/o retirar la pieza de trabajo.



## Saw Operations

### Compound Cuts

- A compound cut is a cut requiring both a miter setting and a bevel setting.
- Because it may take several tries to obtain the desired compound angle, perform test cuts on scrap material before making your cut.

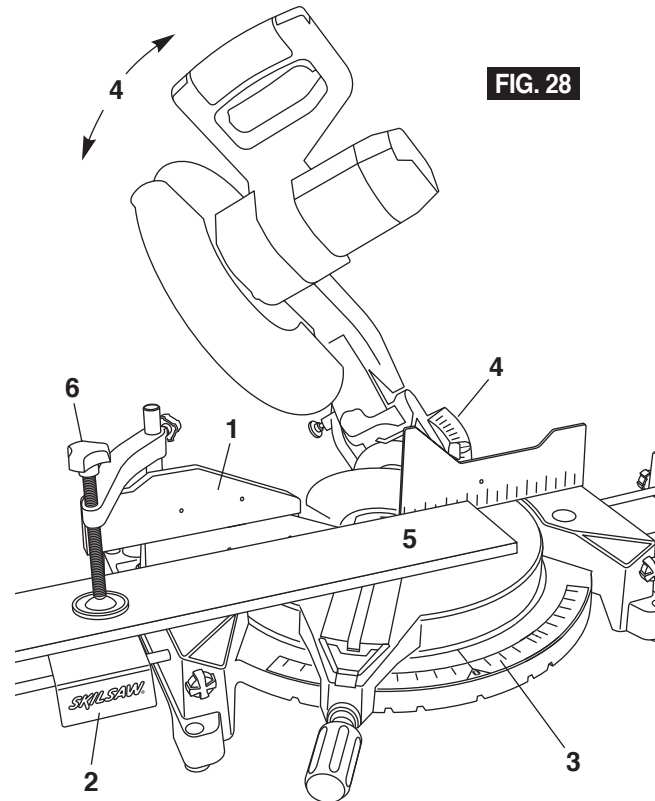
#### Follow these instructions for making your compound cut:

1. Move sliding fence to proper position **1** (see Sliding Fence on page 59).
2. Extend the table extension on the side of the table where hand support is needed to properly support the workpiece. (see Table Extension section in page 59.)
3. Select the desired miter **3** and bevel angles **4** (Figure 28). (See Miter Cut and Bevel Cut on pages 61 and 63.)
4. Properly position workpiece **5**. Make sure workpiece is clamped **6** firmly against the table and the fence.
5. Make sure all controls are locked before cutting.

**WARNING** Use clamping position that does not interfere with operation. Before switching on, lower head assembly to make sure clamp clears guard and head assembly.

6. Activate the switch. Lower the head assembly and make your cut.
7. Wait until blade comes to a complete stop before returning head assembly to the raised position and/or removing workpiece.

Please note: the inch-marking on the fence is for reference only. There is an off-set of the zero-point while miter cutting.



## Opérations de la scie

### Coupes composées

- Une coupe composée est une coupe nécessitant un réglage d'onglet aussi bien qu'un réglage de biseau.
- Étant donné qu'il faudra peut-être plusieurs essais pour obtenir l'angle composé désiré, effectuez des coupes d'essai sur des matériaux de rebut avant de pratiquer votre coupe.

#### Suivez ces instructions pour pratiquer votre coupe composée :

1. Déplacez le guide à glissière à la position appropriée **1**. (Voir Guide à glissière à la page 60.)
2. Déployez la table de rallonge sur le côté de la table où un soutien de la main est nécessaire pour supporter correctement l'ouvrage. (Voir la section Table de rallonge à la page 60)
3. Sélectionnez les angles désirés d'onglet et de biseau **3** (Figure 28). (Voir Coupe à l'onglet et Coupe en biseau à la page 62 et 64.)
4. Positionnez l'ouvrage adéquatement **4**. Assurez-vous que l'ouvrage est cramponné **5** fermement contre la table et le guide.
5. Assurez-vous que toutes les commandes sont verrouillées avant de commencer à couper.

**AVERTISSEMENT** Utilisez une position de cramponnage qui ne gêne pas le fonctionnement. Avant de mettre en marche, abaissez la tête pour vous assurer d'un écartement suffisant entre le serre-joint, d'une part, et le protecteur et la tête, d'autre part.

6. Actionnez l'interrupteur. Abaissez la tête et pratiquez votre coupe.
7. Attendez que la lame s'immobilise complètement avant de remettre la tête à la position levée et/ou de retirer l'ouvrage.

## Operaciones de la sierra

### Cortes compuestos

- Un corte compuesto es un corte que requiere tanto una posición de inglete como una de bisel.
- Como puede que se necesiten varios intentos para lograr el ángulo compuesto deseado, realice cortes de prueba en material de desecho antes de hacer el corte.

#### Siga estas instrucciones para hacer un corte compuesto:

1. Mueva el tope-guía deslizante a la posición apropiada **1**. (Ver Tope-guía deslizante en la página 60.)
2. Extienda la extensión de la mesa en el lado de la mesa donde se necesite soporte con la mano para sostener apropiadamente la pieza de trabajo. (Consulte la sección Extensión de la mesa en la página 60.)
3. Seleccione los ángulos de inglete y de bisel deseados **3** (Figura 28). (Vea corte a inglete y Corte en bisel en las páginas 62 a 64)
4. Posicione la pieza de trabajo **4** adecuadamente. Asegúrese de que la pieza de trabajo esté fijada con abrazadera **5** firmemente contra la mesa y el tope-guía.
5. Asegúrese de que todos los controles estén fijos antes de cortar.

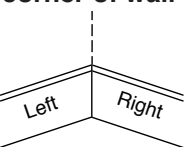
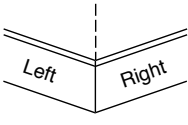
**ADVERTENCIA** Use una posición de fijación con abrazadera que no interfiera con la operación. Antes de encender la sierra, baje el ensamblaje del cabezal para asegurarse de que la abrazadera no toque ni el protector ni el ensamblaje del cabezal.

6. Active el interruptor. Baje el ensamblaje del cabezal y haga el corte.
7. Espere hasta que la hoja se detenga por completo antes de volver a colocar el ensamblaje del cabezal en la posición subida y/o retirar la pieza de trabajo.

## Saw Operations

### Base Molding

- Base molding can be cut vertical against fence or flat on the table.
- Follow the table for helpful hints on cutting base molding.

BASE MOLDING CUTTING INSTRUCTIONS					
SETTINGS / INSTRUCTIONS		Vertical Position Back of molding is against the fence		Horizontal Position Back of molding is flat on the table	
<i>Sliding Fence</i>		Far Right Position		Move to proper position	
<i>Bevel Angle</i>		0°		45°	
<i>Molding position</i>		Left Side	Right Side*	Left Side	Right Side*
<b>Inside corner of wall</b> 	Miter Angle	Left at 45°	Right at 45°	0°	0°
	<i>Molding position</i>	Bottom against table	Bottom against table	Top against fence	Bottom against fence
	Finished side	Keep left side of cut	Keep right side of cut	Keep left side of cut	Keep left side of cut
<b>Outside corner of wall</b> 	Miter Angle	Right at 45°	Left at 45°	0°	0°
	<i>Molding position</i>	Bottom against table	Bottom against table	Bottom against fence	Top against fence
	Finished side	Keep left side of cut	Keep right side of cut	Keep right side of cut	Keep right side of cut

**WARNING** Check for interference between workpiece and saw head components by performing a dry cut. Interference can prevent proper saw operation and cause injury and/or tool damage.

\* If a piece of the saw head interferes with the workpiece while cutting it on the right side; it is recommended to flip the workpiece and cut it to the left.

## Saw Operations

### Cutting Crown Molding

**WARNING** This saw is designed to cut crown molding laying flat on the table only. Do not cut crown molding angled to table and fence.

- Crown molding must be cut exactly to fit properly.
- Your miter saw has special miter detents of 31.6° left and right and a bevel indicator at 33.9° for cutting crown molding flat on the table.
- These special detents angles have been designed into your compound miter saw for the standard crown molding used in the United States with the following angles:

52° between the back of the molding and the top flat surface that fits against the ceiling.

38° between the back of the molding and the bottom flat surface that fits against the wall.

**NOTE:** These detents cannot be used with 45° crown molding.

- Even though these angles are standards, most rooms do not have angles of exactly 90°, therefore, you will need to fine tune your settings using the miter and bevel scale.

## Opérations de la scie

### Moules de base

- Les moules de base peuvent être coupées à la verticale contre le guide ou à plat sur la table.
- Reportez-vous au tableau contenant des conseils utiles sur la coupe de moules de base.

INSTRUCTIONS DE COUPE DE MOULURES DE BASE					
RÉGLAGES / INSTRUCTIONS		Position vertical L'arrière de la moulure repose contre le guide		Position horizontale L'arrière de la moulure repose à plat sur la table	
Fixation du guide d'onglet		Position extrême droite		Déplacez à la position appropriée.	
Angle de biseau		0°		45°	
Position de moulure		Côté gauche	Côté droit*	Côté gauche	Côté droit*
<b>Coin intérieur du mur</b> 	Angle d'onglet	Gauche à 45°	Droit à 45°	0°	0°
	Position de moulure	Fond contre la table	Fond contre la table	Dessus contre le guide	Fond contre le guide
	Côté fini	Gardez le côté gauche de la coupe	Gardez le côté droit de la coupe	Gardez le côté gauche de la coupe	Gardez le côté gauche de la coupe
<b>Coin extérieur du mur</b> 	Angle d'onglet	Droit à 45°	Gauche à 45°	0°	0°
	Position de moulure	Fond contre la table	Fond contre la table	Fond contre le guide	Dessus contre le guide
	Côté fini	Gardez le côté gauche de la coupe	Gardez le côté droit de la coupe	Gardez le côté droit de la coupe	Gardez le côté droit de la coupe

**AVERTISSEMENT** Vérifiez qu'il n'y a pas d'interférences entre l'ouvrage et les composants de la tête de la scie en effectuant une coupe fictive. Les interférences risqueraient d'empêcher le fonctionnement correct de la scie et de causer des blessures aux personnes et/ou d'endommager l'outil.

\* Si une partie de la tête de la scie interfère avec l'ouvrage pendant que celui-ci est coupé du côté droit, il est recommandé de changer l'ouvrage de côté et de reprendre la coupe du côté gauche.

## Opérations de la scie

### Coupe de moules en couronne

**AVERTISSEMENT** Cette scie est conçue pour couper des moules en couronne posées à plat sur la table seulement. Ne coupez pas de moules en couronne inclinées par rapport à la table et au guide.

- Les moules en couronne doivent être coupées exactement pour faire adéquatement.
- Votre scie à onglet possède des crans d'arrêt d'onglet spéciaux de 31,6° à gauche et à droite, et un indicateur de biseau à 33,9° pour couper des moules en couronne à plat sur la table.
- Ces angles de crans d'arrêt spéciaux ont été incorporés dans votre scie à onglet composée pour les moules en couronne standard utilisées aux États-Unis avec les angles suivants :

52° entre l'arrière de la moulure et la surface plate supérieure qui repose contre le plafond.

38° entre l'arrière de la moulure et la surface plate inférieure qui repose contre le mur.

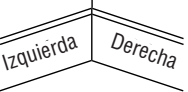
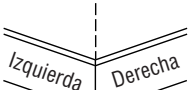
**REMARQUE :** Ces crans d'arrêt ne peuvent pas être utilisés avec les moules en couronne de 45°.

- Bien que ces angles soient standard, la plupart des pièces n'ont pas d'angles d'exactly 90° ; vous devrez donc procéder à des réglages fins de vos paramètres en utilisant l'échelle de biseaux et d'onglets.

## Operaciones de la sierra

### Moldura de base

- La moldura de base se puede cortar vertical contra el tope-guía u horizontal sobre la mesa.
- Siga el cuadro para obtener consejos útiles sobre el corte de moldura de base.

INSTRUCCIONES PARA EL CORTE DE MOLDURA DE BASE					
POSICIONES / INSTRUCCIONES		Posición vertical La parte posterior de la moldura está contra el tope-guía		Posición horizontal La parte posterior de la moldura está horizontal sobre la mesa	
Aditamento del tope-guía para cortar ingletes		Posición a extrema derecha		Mover a la posición apropiada	
Angulo de bisel		0°		45°	
Posición de la moldura		Lado izquierdo	Lado derecho*	Lado izquierdo	Lado derecho*
<b>Esquina interior de la pared</b> 	Angulo de inglete	Izquierda a 45°	Derecha a 45°	0°	0°
	Posición de la moldura	Parte inferior contra la mesa	Parte inferior contra la mesa	Parte superior contra el tope-guía	Parte inferior contra el tope-guía
	Lado acabado	Conservar el lado izquierdo del corte	Conservar el lado derecho del corte	Conservar el lado izquierdo del corte	Conservar el lado derecho del corte
<b>Esquina exterior de la pared</b> 	Angulo de inglete	Derecha a 45°	Izquierda a 45°	0°	0°
	Posición de la moldura	Parte inferior contra la mesa	Parte inferior contra la mesa	Parte inferior contra el tope-guía	Parte superior contra el tope-guía
	Lado acabado	Conservar el lado izquierdo del corte	Conservar el lado derecho del corte	Conservar el lado derecho del corte	Conservar el lado derecho del corte

**ADVERTENCIA** Compruebe si hay interferencia entre la pieza de trabajo y los componentes del cabezal de la sierra realizando una pasada en vacío. La interferencia puede prevenir el funcionamiento apropiado de la sierra y causar lesiones y/o daños a la herramienta.

\* Si alguna parte del cabezal de la sierra interfiere con la pieza de corte mientras se está cortando en el lado derecho, se recomienda voltear la pieza de trabajo y cortarla a la izquierda.

## Operaciones de la sierra

### Corte de moldura de techo

**ADVERTENCIA** Esta sierra está diseñada para cortar moldura de corona en posición plana sobre la mesa solamente. No corte moldura de corona angulada respecto a la mesa y el tope-guía.

- La moldura de techo se debe cortar con precisión para que encaje adecuadamente.
- La sierra para cortar ingletes tiene retenes de inglete especiales de 31.6o a la izquierda y a la derecha y un indicador de bisel a 33.9o para cortar moldura de techo en posición plana sobre la mesa.
- Estos ángulos de retén especiales han sido diseñados en la sierra para cortar ingletes compuestos para la moldura de techo estándar que se usa en los Estados Unidos con los siguientes ángulos:

52° entre la parte trasera de la moldura y la superficie plana superior que encaja contra el techo.

38° entre la parte posterior de la moldura y la superficie inferior plana que encaja contra la pared.

**NOTA:** Estos retenes no se pueden usar con moldura de techo de 45°.

- Aunque estos ángulos son estándar, la mayoría de las salas y cuartos no tienen ángulos de exactamente 90°. Por lo tanto, usted tendrá que ajustar con precisión las posiciones usando el sobrecontrol del retén y la escala.
- Incluso aunque estos ángulos son estándares, la mayoría de los cuartos no tienen ángulos de exactamente 90°, por lo tanto, usted tendrá que afinar sus ajustes utilizando la escala de ingletes y de bisel.

## Saw Operations

### Crown Molding Laying Flat on Table

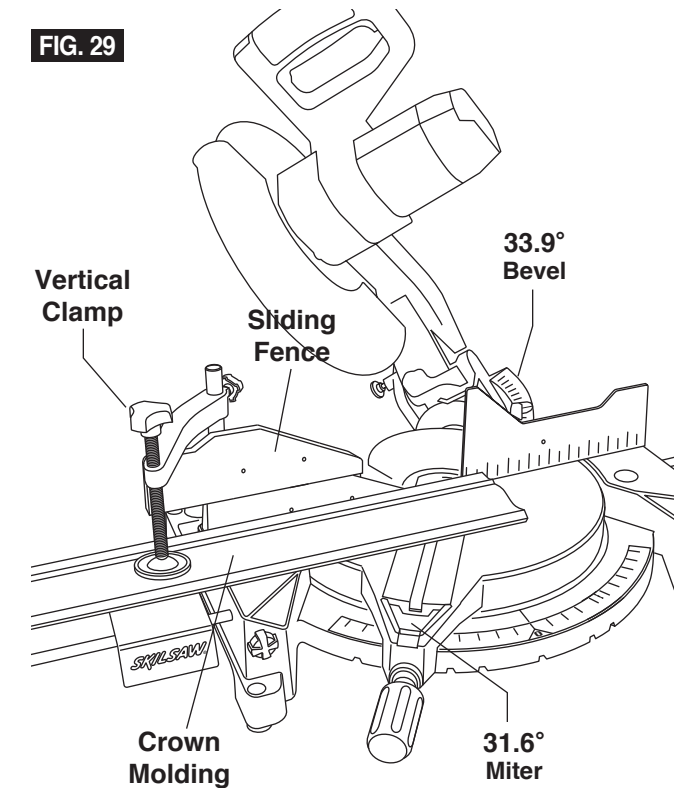
Follow these instructions for cutting crown molding:

- Move sliding fence to proper position (see Sliding Fence on page 59).
- Set the bevel and miter angles using Chart 1 below. Tighten the miter lock knob and the bevel lock handle (Figure 29).
- Position molding on saw table. Use the chart below for correct position. Clamp workpiece in place using the vertical clamp.

**WARNING** Use clamping position that does not interfere with operation. Before switching on, lower head assembly to make sure clamp clears guard and head assembly.

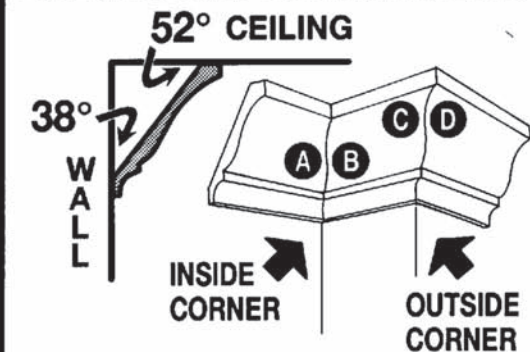
- Activate the switch. Lower the head assembly and make your cut.
- Wait until blade comes to a complete stop before returning head assembly to the raised position and/or removing workpiece.
- ALWAYS TAKE A TEST CUT USING SCRAP TO CONFIRM CORRECT ANGLES.

FIG. 29

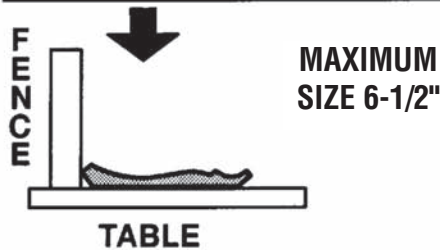


### CROWN MOLDING CUTS – MOLDING PLACED FLAT ON TABLE

#### U.S. STANDARD CROWN MOLDING



#### MOLDING FLAT ON TABLE



TYPE OF CUT

MITER (TABLE) SETTING

BEVEL (TILT) SETTING

**INSIDE CORNER**  
**LEFT SIDE A** → **RIGHT** → **31.6°** → **33.9°**  
 PLACE TOP EDGE OF MOLDING AGAINST FENCE – SAVE LEFT END OF CUT

**RIGHT SIDE B** → **LEFT** → **31.6°** → **33.9°**  
 PLACE BOTTOM EDGE OF MOLDING AGAINST FENCE – SAVE LEFT END OF CUT

**OUTSIDE CORNER**  
**LEFT SIDE C** → **LEFT** → **31.6°** → **33.9°**  
 PLACE BOTTOM EDGE OF MOLDING AGAINST FENCE – SAVE RIGHT END OF CUT

**RIGHT SIDE D** → **RIGHT** → **31.6°** → **33.9°**  
 PLACE TOP EDGE OF MOLDING AGAINST FENCE – SAVE RIGHT END OF CUT

Chart 1: Crown Molding Flat on Table



## Opérations de la scie

### Moulures en couronne reposant à plat sur la table

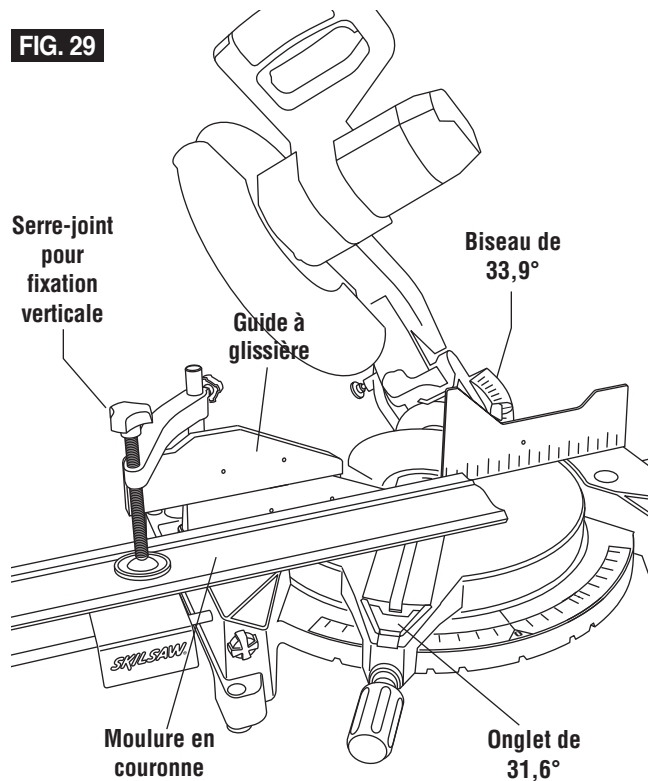
Suivez ces instructions pour couper les moulures en couronne :

- Déplacez le guide à glissière à la position appropriée (voir Guide à glissière à la page 60.)
- Réglez les angles de biseau et d'onglet à l'aide du Tableau 1 ci-après. Serrez le bouton de blocage d'onglet et la poignée de blocage de biseau (Figure 29).
- Positionnez la moulure sur la table. Reportez-vous au tableau ci-après pour connaître la position correcte. Crampez l'ouvrage en place à l'aide du serre-joint d'ouvrage.

**AVERTISSEMENT** Utilisez une position de cramponnage qui ne gêne pas le fonctionnement. Avant de mettre en marche, abaissez la tête pour vous assurer d'un écartement suffisant entre le serre-joint, d'une part, et le protecteur et la tête, d'autre part.

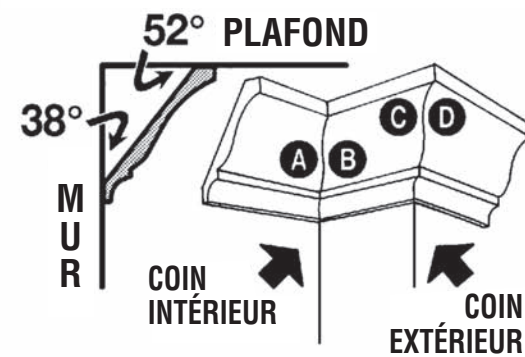
- Actionnez l'interrupteur. Abaissez la tête et pratiquez votre coupe.
- Attendez que la lame s'immobilise complètement avant de remettre la tête à la position levée et/ou de retirer l'ouvrage.
- PROCÉDEZ TOUJOURS À UNE COUPE D'ESSAI À L'AIDE DE MATÉRIAUX DE REBUT POUR CONFIRMER LES ANGLES CORRECTS.

FIG. 29



### COUPES DE MOULURES EN COURONNE – MOULURE À PLAT SUR LA TABLE

#### MOULURE EN COURONNE STANDARD U.S.



TYPE DE COUPE

RÉGLAGE D'ONGLET (TABLE)

RÉGLAGE DE BISEAU (INCLINAISON)

**COIN INTÉRIEUR**  
CÔTÉ GAUCHE **A** → À DROITE **31.6°** → **33.9°**  
PLACEZ LE DESSUS DE LA MOULURE CONTRE LE GUIDE – GARDEZ L'EXTRÉMITÉ GAUCHE DE LA COUPE

CÔTÉ DROIT **B** → À GAUCHE **31.6°** → **33.9°**  
PLACEZ LE BAS DE LA MOULURE CONTRE LE GUIDE – GARDEZ L'EXTRÉMITÉ GAUCHE DE LA COUPE

**COIN EXTÉRIEUR**  
CÔTÉ GAUCHE **C** → À GAUCHE **31.6°** → **33.9°**  
PLACEZ LE BAS DE LA MOULURE CONTRE LE GUIDE – GARDEZ L'EXTRÉMITÉ DROITE DE LA COUPE

CÔTÉ DROIT **D** → À DROITE **31.6°** → **33.9°**  
PLACEZ LE DESSUS DE LA MOULURE CONTRE LE GUIDE – GARDEZ L'EXTRÉMITÉ DROITE DE LA COUPE

#### MOULURE À PLAT SUR LA TABLE

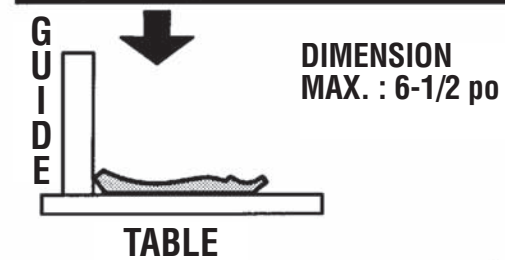


Tableau 1 : Moulure en couronne à plat sur la table

## Operaciones de la sierra

### Moldura de techo colocada horizontalmente sobre la mesa

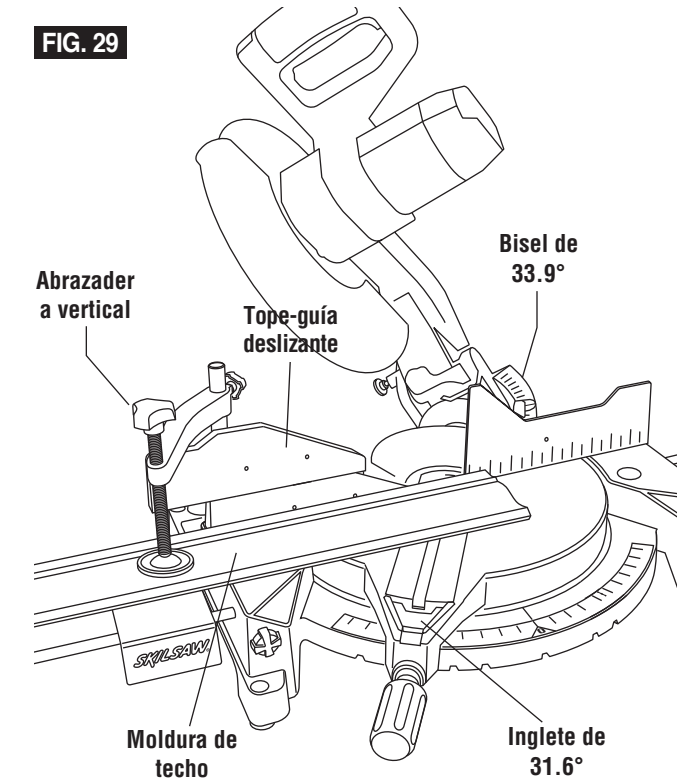
FIG. 29

Siga estas instrucciones para cortar moldura de techo:

- Mueva el tope-guía deslizante a la posición apropiada 1 (Ver Tope-guía deslizante en la página 60.)
- Ajuste los ángulos de bisel y de inglete usando el Cuadro 1 que aparece más abajo. Apriete el pomo de fijación de inglete y el mango de fijación de bisel (Figura 29).
- Posicione la moldura sobre la mesa de la sierra. Use el cuadro que aparece más abajo para obtener la posición correcta. Fije la pieza de trabajo en su sitio usando la abrazadera para la pieza de trabajo.

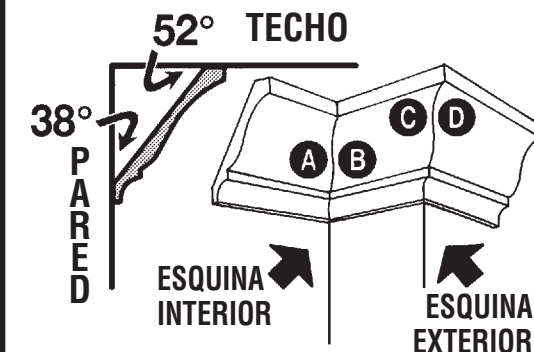
**ADVERTENCIA** Use una posición de fijación con abrazadera que no interfiera con la operación. Antes de encender la sierra, baje el ensamblaje del cabezal para asegurarse de que la abrazadera no toque ni el protector ni el ensamblaje del cabezal.

- Active el interruptor. Baje el ensamblaje del cabezal y haga el corte.
- Espere hasta que la hoja se detenga por completo antes de volver a colocar el ensamblaje del cabezal en la posición subida y/o retirar la pieza de trabajo.
- HAGA SIEMPRE UN CORTE DE PRUEBA USANDO MADERA DE DESECHO PARA CONFIRMAR QUE LOS ANGULOS SON CORRECTOS.



### CORTES DE MOLDURA DE TECHO – MOLDURA HORIZONTAL SOBRE LA MESA

#### MOLDURA DE TECHO ESTANDAR EN LOS EE.UU.



TIPO DE COUPE

POSICION DE INGLETE (MESA)

POSICION DE BISEL (INCLINACION)

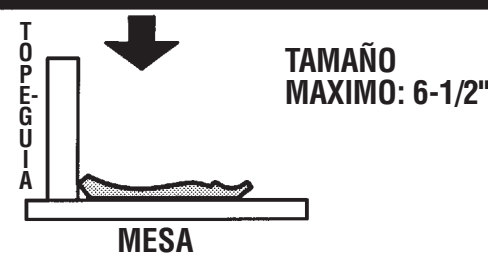
**ESQUINA INTERIOR**  
LADO IZQUIERDO **A** → DERECHA **31.6°** → **33.9°**  
COLOQUE LA PARTE SUPERIOR DE LA MOLDURA CONTRA EL TOPE-GUIA – CONSERVE EL EXTREMO IZQUIERDO DEL CORTE

LADO DERECHO **B** → IZQUIERDA **31.6°** → **33.9°**  
COLOQUE LA PARTE INFERIOR DE LA MOLDURA CONTRA EL TOPE-GUIA – CONSERVE EL EXTREMO IZQUIERDO DEL CORTE

**ESQUINA EXTERIOR**  
LADO IZQUIERDO **C** → IZQUIERDA **31.6°** → **33.9°**  
COLOQUE LA PARTE INFERIOR DE LA MOLDURA CONTRA EL TOPE-GUIA – CONSERVE EL EXTREMO DERECHO DEL CORTE

LADO DERECHO **D** → DERECHA **31.6°** → **33.9°**  
COLOQUE LA PARTE SUPERIOR DE LA MOLDURA CONTRA EL TOPE-GUIA – CONSERVE EL EXTREMO DERECHO DEL CORTE

#### MOLDURA HORIZONTAL SOBRE LA MESA



Cuadro 1: Moldura de techo horizontal sobre la mesa

## Saw Operations

### Special Cuts

Cutting bowed material and round material are only examples of special cuts.

#### Cutting Bowed Material

**WARNING** If workpiece **1** is bowed or warped, clamp it **2** with the outside bowed face toward the fence **3**. Always make certain that there is no gap between the workpiece, fence and table along the line of cut **4**. Bent or warped workpieces can twist or rock and may cause binding on the spinning saw blade while cutting (Figure 30).

#### Cutting Round or Irregularly Shaped Material

**WARNING** For round material **5** such as dowel rods or tubing, always use a clamp **6** or a fixture designed to clamp the workpiece firmly against the fence **7** and table. Rods have a tendency to roll while being cut, causing the blade to “bite” and pull the work with your hand into the blade (Figure 31).

FIG. 30

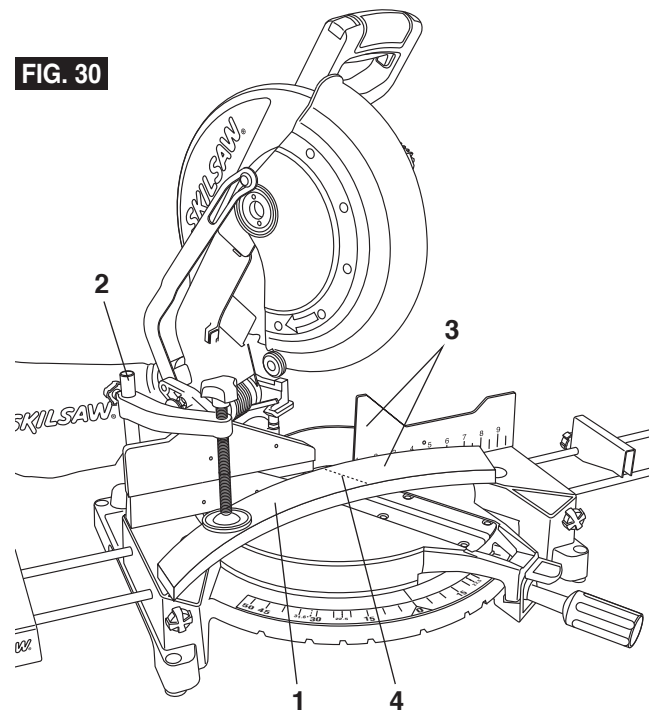
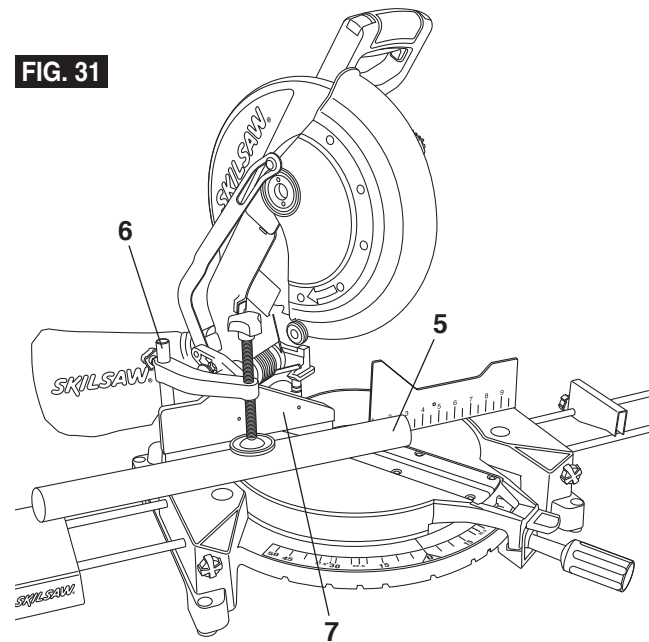


FIG. 31



## Opérations de la scie

### Coupes spéciales

La coupe de matériaux courbés et de matériaux ronds ne constitue qu'un exemple de coupes spéciales.

#### Coupe de matériaux courbés

**AVERTISSEMENT** Si l'ouvrage **1** est courbé ou gondolé, crampez-le **2** avec la face courbée extérieure dirigée vers le guide **3**. Assurez-vous toujours de l'absence d'un écartement entre l'ouvrage, le guide et la table le long de la ligne de coupe **4**. Les ouvrages pliés ou gondolés peuvent se tordre ou culbuter, et peuvent faire gripper la lame de scie en rotation durant la coupe (Figure 30).

#### Coupe de matériaux ronds ou de forme irrégulière

**AVERTISSEMENT** Pour les matériaux ronds **5** tels que les goujons ou les tubes, utilisez toujours un serre-joint **6** ou un dispositif conçu de manière à cramponner l'ouvrage fermement contre le guide **7** et la table. Les goujons ont tendance à rouler pendant qu'on les coupe, ce qui amène la lame à « mordre » et tire l'ouvrage et votre main dans la lame (Figure 31).

## Operaciones de la sierra

### Cortes especiales

Los cortes de material arqueado y de material redondo son solamente ejemplos de cortes especiales.

#### Corte de material arqueado

**ADVERTENCIA** Si la pieza de trabajo **1** está arqueada o combada, fijela con abrazadera **2** con la cara exterior arqueada orientada hacia el tope-guía **3**. Asegúrese siempre de que no haya espacio libre entre la pieza de trabajo, el tope-guía y la mesa a lo largo de la línea de corte **4**. Las piezas de trabajo dobladas o combadas pueden torcerse u oscilar y pueden causar atasco en la hoja de sierra que gira durante el corte (Figura 30).

#### Corte de material redondo o que tenga forma irregular

**ADVERTENCIA** Para material redondo **5**, tal como varillas con espiga o tubos, use siempre una abrazadera **6** o un dispositivo de sujeción diseñado para fijar la pieza de trabajo firmemente contra el tope-guía **7** y la mesa. Las varillas tienen tendencia a rodar mientras son cortadas, haciendo que la hoja “muerda” y tire de la pieza de trabajo con la mano del operador hacia la hoja (Figura 31).

## Maintenance and Lubrication

### Service

**⚠ WARNING** Preventive maintenance performed by unauthorized personnel may result in misplacing of internal wires and components which could cause serious hazard. We recommend that all tool service be performed by a Skil Factory Service Center or Authorized Skil Service Station.

### Carbon Brushes

The brushes and commutator in your tool have been engineered for many hours of dependable service. To maintain peak efficiency of the motor, we recommend every two to six months the brushes be examined. Only genuine Skil replacement brushes specially designed for your tool should be used.

### Cleaning

**⚠ WARNING** To avoid accidents always disconnect the tool from the power supply before cleaning or performing any maintenance. The tool may be cleaned most effectively with compressed dry air. Always wear safety goggles when cleaning tools with compressed air.

Ventilation openings and switch levers must be kept clean and free of foreign matter. Do not attempt to clean by inserting pointed objects through openings.

Develop a regular check to make sure the lower guard is working properly. Clean the lower guard of any sawdust build up with a damp cloth.

Sawdust will accumulate:

- Under the work table
- Under the base
- In the dust chute
- Between the chip deflector and the blade
- In the upper blade guard
- On laser unit

**⚠ CAUTION** Certain cleaning agents and solvents damage plastic parts. Some of these are: gasoline, carbon tetrachloride, chlorinated cleaning solvents, ammonia and household detergents that contain ammonia.

## Maintenance et lubrification

### Entretien

**⚠ AVERTISSEMENT** L'entretien préventif effectué par des personnes non autorisées peut entraîner un positionnement erroné des composants et des fils internes, et ainsi causer des dangers sévères. Il est recommandé que l'entretien et la réparation de nos outils soient confiés à un centre de service-usine Skil ou à un centre de service après-vente Skil agréé.

### Balais de charbon

Les balais et le collecteur de votre outil ont été conçus pour donner plusieurs heures de fonctionnement sans aléas. Pour maintenir le moteur en forme, nous recommandons d'examiner les balais tous les deux à six mois. Vous ne devriez utiliser que les balais de rechange d'origine Skil qui conviennent spécialement à votre outil.

### Nettoyage

**⚠ AVERTISSEMENT** Pour éviter le risque d'accidents, débranchez toujours l'outil de la prise de courant avant de procéder au nettoyage ou à l'entretien. Vous pouvez très bien le nettoyer à l'air sec comprimé. Dans ce cas, portez toujours des lunettes de sécurité.

Gardez les prises d'air et les interrupteurs propres et libres de débris. N'essayez pas de les nettoyer en introduisant des objets pointus dans leurs ouvertures.

Vérifiez régulièrement pour vous assurer que le protecteur inférieur fonctionne adéquatement. Nettoyez le protecteur inférieur à l'aide d'un chiffon humide pour enlever toute accumulation de bran de scie.

Le bran de scie s'accumulera :

- sous la table de travail
- sous la base
- dans la chute à poussière
- entre le déflecteur de copeaux et la lame
- dans le protecteur supérieur de lame
- Sur l'unité laser

**⚠ MISE EN GARDE** Certains produits de nettoyage et dissolvants dont la gasoline, le tétrachlorure de carbone, les nettoyeurs chlorés, l'ammoniaque et les détergents ménagers contenant de l'ammoniaque peuvent abîmer les pièces en plastique.

## Mantenimiento y lubricación

### Servicio

**⚠ ADVERTENCIA** El mantenimiento preventivo realizado por personal no autorizado puede dar lugar a la colocación incorrecta de cables y componentes internos que podría constituir un peligro serio. Recomendamos que todo el servicio de las herramientas sea realizado por un Centro de servicio de fábrica Skil o por una Estación de servicio Skil autorizada.

### Escobillas de carbón

Las escobillas y el conmutador de la herramienta han sido diseñados para muchas horas de servicio fiable. Para mantener un rendimiento óptimo del motor, recomendamos que cada dos a seis meses se examinen las escobillas. Sólo se deben usar escobillas de repuesto Skil genuinas diseñadas específicamente para su herramienta.

### Limpieza

**⚠ ADVERTENCIA** Para evitar accidentes desconecte siempre la herramienta de la fuente de energía antes de la limpieza o de la realización de cualquier mantenimiento. La herramienta se puede limpiar más eficazmente con aire comprimido seco. Use gafas de seguridad siempre que limpie herramientas con aire comprimido.

Las aberturas de ventilación y las palancas de interruptor deben mantenerse limpias y libres de materias extrañas. No intente limpiar introduciendo objetos puntiagudos a través de las aberturas.

Realice una comprobación periódica para asegurarse de que el protector inferior funcione adecuadamente. Limpie todo el serrín que se acumule en el protector inferior usando un paño húmedo.

El serrín se acumulará:

- Debajo de la mesa de trabajo
- Debajo de la base
- En el conducto para polvo
- Entre el deflector de virutas y la hoja
- En el protector superior de la hoja
- En la unidad de láser

**⚠ PRECAUCION** Ciertos agentes de limpieza y disolventes dañan las piezas de plástico. Algunos de estos son: gasolina, tetracloruro de carbono, disolventes de limpieza clorados, amoníaco y detergentes domésticos que contienen amoníaco.



## Care of Blades

Blades become dull even from cutting regular lumber. If you find yourself forcing the saw forward to cut instead of just guiding it through the cut, chances are the blade is dull or coated with wood pitch.

When cleaning gum and wood pitch from blade, unplug the saw and remove the blade. Remember, blades are designed to cut, so handle carefully. Wipe the blade with kerosene or similar solvent to remove the gum and pitch. Unless you are experienced in sharpening blades, we recommend you do not try.

## Tool Lubrication

Your Skil tool has been properly lubricated and is ready to use. It is recommended that tools with gears be regreased with a special gear lubricant at every brush change.

The Sliding Fence should slide smoothly left and right, lubricate if needed.

## Bearings

All bearings in this tool are lubricated with a sufficient amount of high grade lubricant for the life of the unit under normal operating conditions. No further lubrication is required.

## Entretien des lames

Les lames finissent par s'émousser, même à couper des pièces de bois régulières. Si vous constatez que vous devez forcer la scie à avancer plutôt que de la guider simplement vers la ligne de coupe, il est probable que la lame est émoussée ou souillée de résine.

Quand vous devez enlever la gomme et la résine de la lame de votre scie, débranchez d'abord la scie avant d'enlever la lame. Souvenez-vous que les lames sont des objets tranchants et qu'elles doivent être manipulées avec soin. Essuyez la lame avec du kérosène ou un dissolvant similaire pour enlever l'accumulation de gomme et de résine. À moins que vous soyez parfaitement familier avec l'affûtage des lames, nous vous déconseillons de l'essayer.

## Graissage de l'outil

Votre outil Skil a été convenablement graissé et est prêt à utiliser. Il est recommandé que les outils à engrenages soient regraissés avec une graisse spéciale à l'occasion de tout remplacement de balais.

Le guide à glissière doit glisser en douceur vers la gauche et vers la droite, lubrifiez au besoin.

## Roulements

Tous les roulements de cet outil sont lubrifiés à l'aide d'une quantité suffisante de lubrifiant de haute qualité pour toute la durée de l'outil dans des conditions normales d'utilisation. Aucune lubrification ultérieure n'est nécessaire.

## Cuidado de las hojas

Las hojas se desafilan incluso al cortar madera normal. Si usted tiene que forzar la sierra hacia adelante para que corte, en vez de simplemente guiarla a través del corte, lo más probable es que la hoja esté desafilada o cubierta de resina de madera.

Cuando limpie la hoja para quitarle la goma y la resina de madera, desenchufe la sierra y quite la hoja. Recuerde, las hojas están diseñadas para cortar, así que manipúlelas cuidadosamente. Limpie la hoja con queroseno o con un disolvente similar para eliminar la goma y la resina. A menos que usted tenga experiencia en afilar hojas, le recomendamos que no lo intente.

## Lubricación de las herramientas

Su herramienta Skil ha sido lubricada adecuadamente y está lista para la utilización. Se recomienda que las herramientas con engranajes se vuelvan a engrasar con un lubricante especial para engranajes en cada cambio de escobillas.

El tope-guía deslizante debe deslizarse suavemente de izquierda a derecha, lubricar si es necesario.

## Cojinetes

Todos los cojinetes de esta herramienta están lubricados con una cantidad suficiente de lubricante de alto grado para la vida de la unidad en circunstancias normales de funcionamiento. No se requiere lubricación adicional.

## Troubleshooting

**⚠ WARNING** Turn the switch OFF and always remove plug from the power source before troubleshooting.

### TROUBLE: SAW WILL NOT START

**PROBLEM**

1. Power cord is not plugged in.
2. Fuse or circuit breaker tripped.
3. Cord damaged.
4. Burned out switch.

**REMEDY**

1. Plug saw in.
2. Replace fuse or reset tripped circuit breaker.
3. Have cord replaced by an Authorized Skil Service Center or Service Station.
4. Have switch replaced by an Authorized Skil Service Center or Service Station.

### TROUBLE: BLADE DOES NOT COME UP TO SPEED

**PROBLEM**

1. Extension cord too light or too long.
2. Low house voltage.

**REMEDY**

1. Replace with adequate cord.
2. Contact your electric company.

### TROUBLE: EXCESSIVE VIBRATION

**PROBLEM**

1. Blade out of balance.
2. Saw not mounted securely to stand or workbench.
3. Arbor Nut not tight.

**REMEDY**

1. Discard Blade and use different blade.
2. Tighten all mounting hardware.
3. See "Adjustments" section, "Removing and Installing the Blade".

### TROUBLE: LASER IS NOT WORKING OR DIM

**PROBLEM**

1. Laser cover is covered in sawdust or wood pitch.
2. Laser on/off switch is not activated.
3. Laser on/off switch is not functioning.

**REMEDY**

1. Clean laser cover with compressed dry air and/or wipe with a damp cloth.
2. Turn on laser on/off switch.
3. Have switch replaced by an authorized Skil Service Center or Service Station.

## Guide de diagnostic

**⚠ AVERTISSEMENT** Mettez l'interrupteur en position « ARRÊT » et débranchez le cordon d'alimentation avant de rechercher les causes d'une panne éventuelle.

### PROBLÈME: LA SCIE NE DEMARRE PAS

**CAUSES POSSIBLES**

1. Le cordon d'alimentation n'est pas branché.
2. Fusible grillé ou disjoncteur déclenché.
3. Cordon d'alimentation endommagé.
4. Interrupteur grillé.

**SOLUTION**

1. Brancher le cordon.
2. Remplacer le fusible ou réenclencher le disjoncteur.
3. Faire remplacer le cordon par un Centre de service ou une Station service Skil agréés.
4. Faire remplacer l'interrupteur par un Centre de service ou une Station service Skil agréés.

### PROBLÈME: LA LAME NE TOURNE PAS A UNE VITESSE SUFFISANTE

**CAUSES POSSIBLES**

1. Rallonge d'alimentation électrique de trop faible calibre ou trop longue.
2. Tension insuffisante du système électrique domestique.

**SOLUTION**

1. Utiliser une rallonge adaptée.
2. Prévenir la compagnie d'électricité.

### PROBLÈME: VIBRATIONS EXCESSIVES

**CAUSES POSSIBLES**

1. Lame déséquilibrée.
2. La scie n'est pas bien fixée à son support ou à l'établi.
3. L'écrou de fixation de l'outil de coupe n'est pas assez serré.

**SOLUTION**

1. Mettre la lame au rebut et en installer une autre.
2. Resserrer tous les boulons de fixation; voir le chapitre.
3. Voir la section « Changement de la lame », au chapitre « Réglages ».

### PROBLÈME : LE LASER NE FONCTIONNE PAS OU LE RAYON EST À PEINE VISIBLE.

**CAUSES POSSIBLES**

1. Le cache du laser est recouvert de sciure ou de poix végétale.
2. L'interrupteur de marche/arrêt du laser n'est pas activé.
3. L'interrupteur de marche/arrêt du laser ne fonctionne pas.

**SOLUTION**

1. Nettoyez le cache du laser avec de l'air comprimé sec et/ou essuyez-le avec un tissu humide.
2. Mettez l'interrupteur de marche/arrêt du laser dans la position de marche.
3. Faites remplacer l'interrupteur par un Centre de service ou une Station service Skil agréé.

## Localización y reparación de averías

**⚠ ADVERTENCIA** Apague el interruptor (posición "OFF") y saque siempre el enchufe de la fuente de energía antes de localizar y reparar averías.

### AVERIA: LA SIERRA NO ARRANCA

**PROBLEMA**

1. El cordón de energía no está enchufado.
2. El fusible o el cortacircuito ha saltado.
3. Cordón dañado.
4. Interruptor quemado

**REMEDIIO**

1. Enchufe la sierra.
2. Cambie el fusible o reajuste el cortacircuito que ha saltado.
3. Haga cambiar el cordón en un Centro de servicio Skil autorizado o en una Estación de servicio Skil autorizada.
4. Haga cambiar el interruptor en un Centro de servicio Skil autorizado o en una Estación de servicio Skil autorizada.

### AVERIA: LA HOJA NO ALCANZA TODA SU VELOCIDAD

**PROBLEMA**

1. Cordón de extensión demasiado ligero o demasiado largo.
2. Voltaje de red bajo.

**REMEDIIO**

1. Sustitúyalo con un cordón adecuado.
2. Póngase en contacto con la compañía eléctrica.

### AVERIA: VIBRACION EXCESIVA

**PROBLEMA**

1. Hoja desequilibrada.
2. Sierra no montada firmemente en un apoyo o banco de trabajo.
3. Tuerca del eje portaherramienta no apretada.

**REMEDIIO**

1. Tire la hoja y use una hoja distinta.
2. Apriete todas las piezas de montaje.
3. Vea la sección "Ajustes de funcionamiento", "Cambio de la hoja".

### AVERÍA: EL LÁSER NO FUNCIONA O ES TENUE

**PROBLEMA**

1. La cubierta del láser está cubierta de aserrín o resina de madera.
2. El interruptor de encendido y apagado del láser no está activado.
3. El interruptor de encendido y apagado del láser no funciona.

**REMEDIIO**

1. Limpie la cubierta del láser con aire comprimido seco y/o pásele un paño húmedo.
2. Ponga el interruptor de encendido y apagado del láser en la posición de encendido.
3. Haga que el interruptor sea reemplazado por un Centro de Servicio Skil autorizado o una Estación de Servicio Skil autorizada.



**Notes:**

Empty rectangular box for notes.

**Remarques :**

Empty rectangular box for remarks.





## Notas:

### LIMITED WARRANTY OF SKIL CONSUMER BENCHTOP POWER TOOLS

Robert Bosch Tool Corporation ("Seller") warrants to the original purchaser only, that all SKIL consumer benchtop power tools will be free from defects in material or workmanship for a period of three years from date of purchase, if original purchaser registers the product within 30 days from purchase. Product registration can be completed online at [www.skil.com](http://www.skil.com) or by mail with the registration card included in the packaged product. Original purchasers should also retain their receipt as proof of purchase. Original purchasers that do not register their product will receive the standard Skil one year home use warranty. SKIL consumer benchtop portable power tool models will be free from defects in material or workmanship for a period of ninety days if the tool is used for professional use.

SELLER'S SOLE OBLIGATION AND YOUR EXCLUSIVE REMEDY under this Limited Warranty and, to the extent permitted by law, any warranty or condition implied by law, shall be the repair or replacement of parts, without charge, which are defective in material or workmanship and which have not been misused, carelessly handled, or misrepaired by persons other than Seller or Authorized Service Station. To make a claim under this Limited Warranty, you must return the complete product, transportation prepaid, to any SKIL Factory Service Center or Authorized Service Station. For Authorized SKIL Power Tool Service Stations, please visit [www.skil.com](http://www.skil.com) or call 1-877-SKIL-999 (1-877-754-5999).

THIS LIMITED WARRANTY DOES NOT APPLY TO ACCESSORY ITEMS SUCH AS CIRCULAR SAW BLADES, DRILL BITS, ROUTER BITS, JIGSAW BLADES, SANDING BELTS, GRINDING WHEELS AND OTHER RELATED ITEMS.

ANY IMPLIED WARRANTIES SHALL BE LIMITED IN DURATION TO ONE YEAR FROM DATE OF PURCHASE. SOME STATES IN THE U.S., SOME CANADIAN PROVINCES DO NOT ALLOW LIMITATIONS ON HOW LONG AN IMPLIED WARRANTY LASTS, SO THE ABOVE LIMITATION MAY NOT APPLY TO YOU.

IN NO EVENT SHALL SELLER BE LIABLE FOR ANY INCIDENTAL OR CONSEQUENTIAL DAMAGES (INCLUDING BUT NOT LIMITED TO LIABILITY FOR LOSS OF PROFITS) ARISING FROM THE SALE OR USE OF THIS PRODUCT. SOME STATES IN THE U.S. AND SOME CANADIAN PROVINCES DO NOT ALLOW THE EXCLUSION OR LIMITATION OF INCIDENTAL OR CONSEQUENTIAL DAMAGES, SO THE ABOVE LIMITATION OR EXCLUSION MAY NOT APPLY TO YOU.

THIS LIMITED WARRANTY GIVES YOU SPECIFIC LEGAL RIGHTS, AND YOU MAY ALSO HAVE OTHER RIGHTS WHICH VARY FROM STATE TO STATE IN THE U.S., PROVINCE TO PROVINCE IN CANADA AND FROM COUNTRY TO COUNTRY.

THIS LIMITED WARRANTY APPLIES ONLY TO PRODUCTS SOLD WITHIN THE UNITED STATES OF AMERICA, CANADA AND THE COMMONWEALTH OF PUERTO RICO. FOR WARRANTY COVERAGE WITHIN OTHER COUNTRIES, CONTACT YOUR LOCAL SKIL DEALER OR IMPORTER.

### GARANTIE LIMITÉE DES OUTILS ÉLECTRIQUES GRAND PUBLIC SKIL DE TABLE

Robert Bosch Tool Corporation (le « Vendeur ») garantit à l'acheteur initial seulement que tous les outils électriques grand public SKIL de table seront exempts de vices de matériau ou de façon pendant une période de trois ans depuis la date d'achat si l'acheteur initial enregistre le produit dans les 30 jours suivant l'achat. L'enregistrement du produit peut être effectué en ligne à [www.skil.com](http://www.skil.com) ou par courrier postal en renvoyant la carte d'enregistrement incluse dans l'emballage du produit. Les acheteurs initiaux doivent également conserver leur reçu comme justificatif de leur achat. Les acheteurs initiaux qui n'enregistrent pas leur produit recevront la garantie Skil standard d'un an pour les produits utilisés à domicile. Les modèles d'outils électriques grand public SKIL de table sont garantis exempts de vices de matériau ou de façon pendant une période de quatre-vingt-dix jours si l'outil est utilisé professionnellement.

LA SEULE OBLIGATION DU VENDEUR ET LE SEUL RECOURS DE L'ACHETEUR sous la présente garantie limitée, et dans la mesure où la loi le permet sous toute garantie ou condition implicite qui en découlerait, sera l'obligation de remplacer ou réparer gratuitement les pièces défectueuses en termes de matériau ou de façon, pourvu que lesdites défectuosités ne soient pas attribuables à un usage abusif ou à quelque réparation ou altération bricolée par quelqu'un d'autre que le Vendeur ou le personnel d'une station-service agréée. En cas de réclamation sous la présente garantie limitée, l'acheteur est tenu de renvoyer l'outil complet en port payé à un centre de service-usine SKIL ou une station-service agréée. Pour trouver les coordonnées de la station-service agréée SKIL la plus proche, veuillez visiter [www.skil.com](http://www.skil.com) ou téléphoner au 1-877-SKIL-999 (1-877-754-5999).

LA PRÉSENTE GARANTIE NE S'APPLIQUE PAS AUX ACCESSOIRES TELS QUE LAMES DE SCIE CIRCULAIRE, MÊCHES DE PERCEUSES, FERS DE TOUPIES, LAMES DE SCIES SAUTEUSES, COURROIES DE PONÇAGE, MEULES ET AUTRES ARTICLES DU GENRE.

TOUTE GARANTIE IMPLICITE SERA LIMITÉE À UNE DURÉE À UN AN À COMPTER DE LA DATE D'ACHAT. COMME CERTAINS ÉTATS AMÉRICAINS ET CERTAINES PROVINCES CANADIENNES N'ADMETTENT PAS LE PRINCIPE DE LA LIMITATION DE LA DURÉE DES GARANTIES IMPLICITES, IL EST POSSIBLE QUE LES LIMITATIONS CI-DESSUS NE S'APPLIQUENT PAS À VOTRE CAS.

EN AUCUN CAS LE VENDEUR NE SAURAIT ÊTRE TENU POUR RESPONSABLE DES INCIDENTS OU DOMMAGES INDIRECTS (INCLUANT, MAIS NE SE LIMITANT PAS AUX PERTES DE PROFITS) CONSÉCUTIFS À LA VENTE OU À L'USAGE DE CE PRODUIT. COMME CERTAINS ÉTATS AMÉRICAINS ET CERTAINES PROVINCES CANADIENNES N'ADMETTENT PAS LE PRINCIPE DE LA LIMITATION OU DE L'EXCLUSION DES DOMMAGES INDIRECTS ET SECONDAIRES, IL EST POSSIBLE QUE LES LIMITATIONS OU EXCLUSIONS CI-DESSUS NE S'APPLIQUENT PAS À VOTRE CAS.

CETTE GARANTIE LIMITÉE VOUS DONNE DES DROITS PRÉCIS, ET VOUS POUVEZ ÉGALEMENT AVOIR D'AUTRES DROITS QUI VARIENT D'UN ÉTAT À L'AUTRE AUX ÉTATS-UNIS, D'UNE PROVINCE À L'AUTRE AU CANADA, ET D'UN PAYS À L'AUTRE.

CETTE GARANTIE LIMITÉE S'APPLIQUE UNIQUEMENT AUX OUTILS VENDUS AUX ÉTATS-UNIS D'AMÉRIQUE, AU CANADA ET DANS LE COMMONWEALTH DE PORTO RICO. POUR CONNAÎTRE LA COUVERTURE DE GARANTIE DANS LES AUTRES PAYS, CONTACTEZ VOTRE IMPORTATEUR OU REVENDEUR SKIL LOCAL.

### GARANTÍA LIMITADA PARA HERRAMIENTAS ELÉCTRICAS DE BANCO DE CONSUMO SKIL

Robert Bosch Tool Corporation ("el Vendedor") garantiza, únicamente al comprador original, que todas las herramientas eléctricas de banco de consumo SKIL estarán libres de defectos de material o de fabricación durante un período de tres años a partir de la fecha de compra, si el comprador original registra el producto dentro del plazo de 30 días después de la fecha de compra. El registro del producto se puede completar a través de Internet en [www.skil.com](http://www.skil.com) o por correo con la tarjeta de registro incluida en el producto empaquetado. Los compradores originales también deberán retener su recibo como comprobante de compra. Los compradores originales que no registren su producto recibirán la garantía de uso doméstico de un año Skil estándar. Los modelos de herramientas eléctricas portátiles de banco de consumo SKIL estarán libres de defectos de material o de fabricación durante un período de noventa días si la herramienta se emplea para uso profesional.

LA ÚNICA OBLIGACIÓN DEL VENDEDOR Y EL RECURSO EXCLUSIVO QUE USTED TIENE bajo esta Garantía Limitada y, hasta donde la ley lo permita, bajo cualquier garantía o condición implícita por ley, consistirá en la reparación o sustitución sin costo de las piezas que presenten defectos de material o de fabricación y que no hayan sido utilizadas incorrectamente, manejadas descuidadamente o reparadas incorrectamente por personas que no sean el Vendedor o una Estación de servicio autorizada. Para efectuar una reclamación bajo esta Garantía Limitada, usted debe devolver el producto completo, con el transporte prepagado, a cualquier Centro de servicio de fábrica SKIL o Estación de servicio SKIL autorizada. Para localizar Estaciones de servicio autorizadas de herramientas mecánicas SKIL, sírvase visitar [www.skil.com](http://www.skil.com) o llame al 1-877-SKIL-999 (1-877-754-5999).

ESTA GARANTÍA LIMITADA NO SE APLICA A ARTÍCULOS ACCESORIOS TALES COMO HOJAS PARA SIERRAS CIRCULARES, BROCAS PARA TALADROS, BROCAS PARA FRESADORAS, HOJAS PARA SIERRAS DE VAIVÉN, CORREAS PARA LIJAR, RUEDAS DE AMOLAR Y OTROS ARTÍCULOS RELACIONADOS.

TODAS LAS GARANTÍAS IMPLÍCITAS TENDRÁN UNA DURACIÓN LIMITADA A UN AÑO A PARTIR DE LA FECHA DE COMPRA. ALGUNOS ESTADOS DE LOS EE.UU. Y ALGUNAS PROVINCIAS CANADIENSES NO PERMITEN LIMITACIONES EN CUANTO A LA DURACIÓN DE UNA GARANTÍA IMPLÍCITA, POR LO QUE ES POSIBLE QUE LA LIMITACIÓN ANTERIOR NO SEA APLICABLE EN EL CASO DE USTED.

EL VENDEDOR NO SERÁ RESPONSABLE EN NINGÚN CASO DE NINGÚN DAÑO INCIDENTAL O EMERGENTE (INCLUYENDO PERO NO LIMITADO A RESPONSABILIDAD POR PÉRDIDA DE BENEFICIOS) QUE SE PRODUZCA COMO CONSECUENCIA DE LA VENTA O UTILIZACIÓN DE ESTE PRODUCTO. ALGUNOS ESTADOS DE LOS EE.UU. Y ALGUNAS PROVINCIAS CANADIENSES NO PERMITEN LA EXCLUSIÓN O LIMITACIÓN DE LOS DAÑOS INCIDENTALES O EMERGENTES, POR LO QUE ES POSIBLE QUE LA LIMITACIÓN O EXCLUSIÓN ANTERIOR NO SEA APLICABLE EN EL CASO DE USTED.

ESTA GARANTÍA LIMITADA LE CONFIERE A USTED DERECHOS LEGALES ESPECÍFICOS Y ES POSIBLE QUE USTED TAMBIÉN TENGA OTROS DERECHOS QUE VARIAN DE ESTADO A ESTADO EN LOS EE.UU., DE PROVINCIA A PROVINCIA EN CANADÁ Y DE PAÍS EN PAÍS.

ESTA GARANTÍA LIMITADA SE APLICA SÓLO A LOS PRODUCTOS VENDIDOS EN LOS ESTADOS UNIDOS DE AMÉRICA, CANADÁ Y EL ESTADO LIBRE ASOCIADO DE PUERTO RICO. PARA COBERTURA DE GARANTÍA EN OTROS PAÍSES, PÓNGASE EN CONTACTO CON SU DISTRIBUIDOR O IMPORTADOR LOCAL DE SKIL.

© Robert Bosch Tool Corporation 1800 W. Central Road Mt. Prospect, IL 60056-2230

Exportado por: Robert Bosch Tool Corporation Mt. Prospect, IL 60056-2230, E.U.A.

Importado a México por: Robert Bosch, S.A. de C.V., Calle Robert Bosch No. 405, Zona Industrial, Toluca, Edo. de México, C.P. 50070, Tel. (722) 2792300