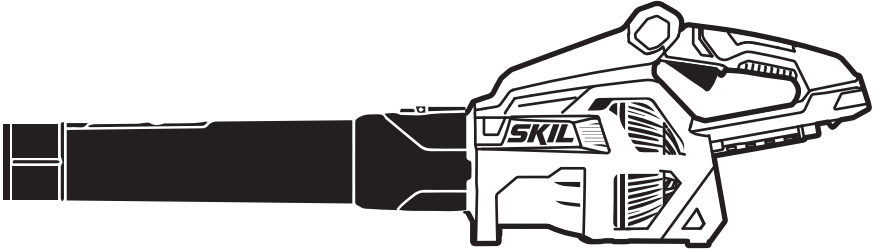




Owner's Manual
Guide d'utilisation
Manual del propietario



Model/ Modelo/ Modèle: BL4713C-00

Brushless 40V Leaf Blower

Souffleuse à feuilles 40 V sans balai

Soplador de hojas de 40 V sin escobillas

⚠ WARNING: To reduce the risk of injury, the user must read and understand the Owner's Manual before using this product. Save these instructions for future reference.

⚠ AVERTISSEMENT : Afin de réduire les risques de blessure, l'utilisateur doit lire et comprendre le guide d'utilisation avant d'utiliser cet article. Conservez le présent guide afin de pouvoir le consulter ultérieurement.

⚠ ADVERTENCIA : Para reducir el riesgo de lesiones, el usuario debe leer y comprender el Manual del operador antes de utilizar este producto. Guarde estas instrucciones para consultarlas en caso sea necesario.



For Customer Service
Pour le service à la clientèle
Servicio al cliente

1-877-SKIL-999 OR www.skil.com

TABLE OF CONTENTS

Important Safety Instructions	3-5
Symbols	6-8
Get to Know Your Leaf Blower	9
Specifications	10
Operating Instructions	11-14
Maintenance	15
Troubleshooting	15
Limited Warranty of SKIL Consumer Tool	16

IMPORTANT SAFETY INSTRUCTIONS

When using an electrical appliance, basic precautions should always be followed, including the following:

READ ALL INSTRUCTIONS BEFORE USING THIS PRODUCT!

⚠ WARNING To reduce the risk of fire, electric shock, or injury:

Know your blower. Read the instruction manual carefully. Learn the blower's applications and limitations, as well as the specific potential hazards related to this blower. Following this rule will reduce the risk of electric shock, fire, or serious injury.

This blower is intended for both household and commercial use.

Do not leave blower unattended when the battery is inserted. Remove the battery when the blower is not in use and before servicing.

Do not allow the blower to be used as a toy. Close attention is necessary when used by or near children.

Use only as described in this manual. Use only manufacturer's recommended attachments.

Do not handle the charger, including charger plug, or charger terminals with wet hands.

Do not put any object into any openings. Do not use with any opening blocked; keep openings free of dust, lint, hair, and anything that may reduce air flow.

Keep hair, loose clothing, fingers, and all parts of body away from openings and moving parts. Loose clothes, jewelry, or long hair can be drawn into air vents.

Secure long hair above shoulder level to prevent entanglement in moving parts.

Use extra care when cleaning on stairs.

If the blower is not working as it should, has been dropped, damaged, left outdoors, or dropped into water, return it to a service center.

Do not operate blowers in explosive atmospheres, such as in the presence of flammable liquids, gases, or dust. Blowers create sparks which may ignite the dust or fumes.

Use only the charger supplied by the manufacturer to recharge.

Do not charge the battery pack outdoors.

Do not charge the battery pack in rain or in wet locations.

Use the battery operated blower only with specifically designated battery pack. Use of any other batteries may create a risk of fire.

Use only with battery packs and chargers listed below.

Battery	Charger
BY8705-00, BY8708C-01, BY8708-00, BY8723C-00	SC5364-00, SC5376C-00

When battery pack is not in use, keep it away from other metal objects, like paper clips, coins, keys, nails, screws or other small metal objects, that can make a connection from one terminal to another. Shorting the battery terminals together may cause burns or a fire.

Under abusive conditions, liquid may be ejected from the battery; avoid contact. If contact accidentally occurs, flush with water. If liquid contacts eyes, additionally seek medical help. Liquid ejected from the battery may cause irritation or burns.

Follow all charging instructions and do not charge the battery pack or appliance outside of the temperature range specified in the instructions. Charging improperly or at temperatures outside of the specified range may damage the battery and increase the risk of fire.

Stay alert, watch what you are doing and use common sense when operating a power blower. Do not use the blower while tired, upset, or under the influence of drugs, alcohol, or medication. A moment of inattention while operating blowers may result in serious personal injury.

Avoid accidental starting. Be sure that the switch is in the locked or off position before inserting the battery pack. Carrying blowers with your finger on the switch or inserting the battery pack into a blower with the switch on invites accidents.

Use safety equipment. Always wear eye protection. Dust mask, non-skid safety shoes, hard hat, or hearing protection must be used for appropriate conditions.

Always wear eye protection with side shields marked to comply with ANSI Z87.1 along with hearing protection when operating this equipment. Everyday glasses have only impact resistant lenses. They are NOT safety glasses. Following this rule will reduce the risk of eye injury.

Do not use on a ladder, rooftop, tree, or other unstable support. Stable footing on a solid surface enables better control of the blower in unexpected situations.

Always take care of your feet, children, or pets around you when removing the battery pack from blower. **Serious injury could result if the battery pack falls. NEVER remove the battery pack when in a high position.**

Do not use the blower if switch does not turn it on or off. A blower that cannot be controlled with the switch is dangerous and must be repaired.

Detach the battery pack from the blower before making any adjustments, changing accessories, or storing the blower. Such preventive safety measures reduce the risk of starting the blower accidentally.

Turn off all controls before removing the battery.

DO NOT attempt to clear clogs from the unit without first removing the battery.

Check for misalignment or binding of moving parts, breakage of parts, and any other condition that may affect the blower's operation. If damaged, have the blower serviced before using. Many accidents are caused by poorly maintained blowers.

Keep the blower and its handle dry, clean and free from oil and grease. Always use a clean cloth when cleaning. Never use brake fluids, gasoline, petroleum-based products, or any strong solvents to clean your blower. Following this rule will reduce the risk of loss of control and deterioration of the enclosure plastic.

Protect your lungs. Wear a face or dust mask if the operation is dusty. Following this rule will reduce the risk of serious personal injury.

Protect your hearing. Wear hearing protection during extended periods of operation. Following this rule will reduce the risk of serious personal injury.

Wear heavy long pants, long sleeves and boots. Avoid loose garments or jewelry that could get caught in moving parts of the machine or its motor.

Do not operate the equipment while barefoot or when wearing sandals or similar lightweight footwear. Wear protective footwear that will protect your feet and improve your footing on slippery surfaces.

Battery powered blowers do not have to be plugged into an electrical outlet; therefore, they are always in operating condition. Be aware of possible hazards when not using your battery powered blower or when changing accessories. Following this rule will reduce the risk of electric shock, fire, or serious personal injury.

Do not incinerate the appliance even if it is severely damaged. The batteries can explode in a fire.

Batteries can explode in the presence of a source of ignition, such as a pilot light. To reduce the risk of serious personal injury, never use any cordless product in the presence of open flame. An exploded battery can propel debris and chemicals. If exposed, flush with water immediately.

Keep firm footing and balance. Do not overreach. Overreaching can result in loss of balance.

Check the work area before each use. Remove all objects such as rocks, broken glass, nails, wire, or string which can be thrown by or become entangled in the machine.

Do not point the blower tube in the direction of people or pets.

Never run the unit without the proper equipment attached. Always ensure that the blower tube is installed.

When not in use, the blower should be stored indoors in a dry, secure place out of the reach of children.

Keep all bystanders, children, and pets at least 50 ft. away.

Never use the blower near fires or hot ashes. Use near fires or ashes can spread fires and result in serious injury and/or property damage.

Never use blower to spread chemicals, fertilizers, or any other toxic substances. Spreading these substances could result in serious injury to the operator or bystanders.

Never place the blower on any surface, except a hard, clean surface when the engine is running. Gravel, sand, and other debris can be picked up by the air inlet and thrown at the operator or bystanders, causing possible serious injuries.

 WARNING To ensure safety and reliability, all repairs should be performed by a qualified service technician.

Blower service must be performed only by qualified repair personnel. Service or maintenance performed by unqualified personnel may result in a risk of injury.

When servicing a blower, use only identical replacement parts. Follow instructions in the Maintenance section of this manual. Use of unauthorized parts or failure to follow Maintenance Instructions may create a risk of shock or injury.

Do not expose a battery pack or tool to fire or excessive temperature. Exposure to fire or temperature above 212 °F (100°C) may cause explosion.

Save these instructions. Refer to them frequently and use them to instruct others who may use this tool. If you loan this tool to someone else, also loan these instructions to them to prevent misuse of the product and possible injury.





SAVE THESE INSTRUCTIONS!

SYMBOLS

Safety Symbols

The purpose of safety symbols is to attract your attention to possible dangers. The safety symbols and the explanations with them deserve your careful attention and understanding. The symbol warnings do not, by themselves, eliminate any danger. The instructions and warnings they give are no substitutes for proper accident prevention measures.

⚠ WARNING Be sure to read and understand all safety instructions in this Owner's Manual, including all safety alert symbols such as "**DANGER**," "**WARNING**," and "**CAUTION**" before using this tool. Failure to following all instructions listed below may result in electric shock, fire, and/or serious personal injury.

The definitions below describe the level of severity for each signal word. Please read the manual and pay attention to these symbols.	
	This is the safety alert symbol. It is used to alert you to potential personal injury hazards. Obey all safety messages that follow this symbol to avoid possible injury or death.
	DANGER indicates a hazardous situation which, if not avoided, will result in death or serious injury.
	WARNING indicates a hazardous situation which, if not avoided, could result in death or serious injury.
	CAUTION, used with the safety alert symbol, indicates a hazardous situation which, if not avoided, will result in minor or moderate injury.

Damage Prevention and Information Messages

These inform the user of important information and/or instructions that could lead to equipment or other property damage if they are not followed. Each message is preceded by the word "NOTICE", as in the example below:







NOTICE: Equipment and/or property damage may result if these instructions are not followed.



⚠ WARNING The operation of any power tools can result in foreign objects being thrown into your eyes, which can result in severe eye damage. Before beginning power tool operation, always wear safety goggles or safety glasses with side shields and a full face shield when needed. We recommend a Wide Vision Safety Mask for use over eyeglasses or standard safety glasses with side shields. Always use eye protection which is marked to comply with ANSI Z87.1.








SYMBOLS (CONTINUED)

IMPORTANT: Some of the following symbols may be used on your tool. Please study them and learn their meaning. Proper interpretation of these symbols will allow you to operate the tool better and more safely.

Symbol	Name	Designation/Explanation
V	Volts	Voltage (potential)
A	Amperes	Current
Hz	Hertz	Frequency (cycles per second)
W	Watt	Power
kg	Kilograms	Weight
min	Minutes	Time
s	Seconds	Time
Wh	Watt-hours	Battery capacity
Ah	Ampere-Hours	Battery capacity
∅	Diameter	Size of drill bits, grinding wheels, etc.
n_0	No load speed	Rotational speed, at no load
n	Rated speed	Maximum attainable speed
.../min	Revolutions or reciprocation per minute	Revolutions, strokes, surface speed, orbits, etc. per minute
IPX4	Ingress Protection Degree	Protection from splashing water
CFM	Cubic Feet Per Minute	Air volume
MPH	Miles Per Hour	Air velocity
	Arrow	Action in the direction of arrow
	Alternating current	Type or a characteristic of current
	Direct current	Type or a characteristic of current
	Li-ion RBRC seal	Designates Li-ion battery recycling program
	Read manual symbol	Alerts user to read manual
	Wear eye protection symbol	Always wear safety goggles or safety glasses with side shields and a full face shield when operating this product.

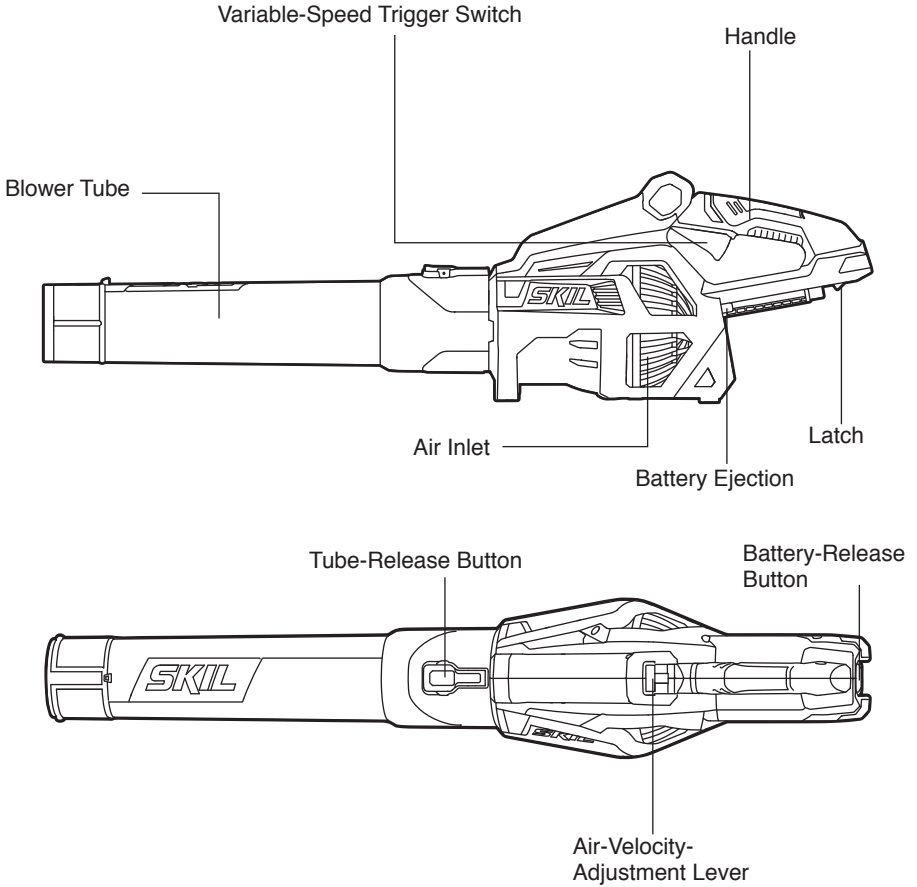
SYMBOLS (CERTIFICATION INFORMATION)

IMPORTANT: Some of the following symbols for certification information may be used on your tool. Please study them and learn their meaning. Proper interpretation of these symbols will allow you to operate the tool better and more safely.

Symbol	Designation/Explanation
	<p>This symbol designates that this tool is listed by Underwriters Laboratories.</p>
	<p>This symbol designates that this component is recognized by Underwriters Laboratories.</p>
	<p>This symbol designates that this tool is listed by Underwriters Laboratories, to United States and Canadian Standards.</p>
	<p>This symbol designates that this tool is listed by the Canadian Standards Association.</p>
	<p>This symbol designates that this tool is listed by the Canadian Standards Association, to United States and Canadian Standards.</p>
	<p>This symbol designates that this tool is listed by the Intertek Testing Services, to United States and Canadian Standards.</p>
	<p>This symbol designates that this tool complies to NOM Mexican Standards.</p>

GET TO KNOW YOUR LEAF BLOWER

Fig. 1



SPECIFICATIONS

Rated voltage	40V d.c.
Air Volume	Max. 530 CFM
Air Velocity	Max. 130 MPH
Recommended working temperature	5~104°F (-15~40°C)
Recommended storage temperature	32~104°F (0~40°C)

Variable-Speed Trigger Switch

Starts or stops the blower and delivers higher speed with increased trigger pressure and lower speed with decreased trigger pressure.

Air-Velocity-Adjustment Lever

Adjusts and keeps the air velocity of the blower per your need. Amplifies the air velocity to the maximum by pulling the lever to the maximum position.

Battery-Release Button

Press to release the battery pack from the tool.

Latch

Locks the battery pack in place when installed on the tool.

Battery Ejection

Aids in removing the battery.

OPERATING INSTRUCTIONS

⚠ WARNING To reduce the risk of fire, personal injury, and product damage due to a short circuit, never immerse your tool, battery pack, or charger in fluid or allow a fluid to flow inside them. Corrosive or conductive fluids, such as seawater, certain industrial chemicals, and bleach or bleach-containing products, etc. can cause a short circuit.

⚠ WARNING If any parts are damaged or missing, do not operate this product until the parts are replaced. Use of this product with damaged or missing parts could result in serious personal injury.

⚠ WARNING Do not attempt to modify this tool or create accessories not recommended for use with this tool. Any such alteration or modification is misuse and could result in a hazardous condition leading to possible serious injury.

⚠ WARNING Do not use any attachments or accessories not recommended by the manufacturer of this product. The use of attachments or accessories not recommended can result in serious personal injury.

⚠ WARNING Do not allow familiarity with this product to make you careless. Remember that a careless fraction of a second is sufficient to inflict serious injury.

⚠ WARNING Always wear eye protection with side shields marked to comply with ANSI Z87.1, along with hearing protection. Failure to do so could result in objects being thrown into your eyes and other possible serious injuries.

⚠ WARNING To prevent accidental starting that could cause serious personal injury, always remove the battery pack from the tool when assembling parts, making adjustments, cleaning, or when not in use.

Before each use, inspect the entire product for damaged, missing, or loose parts, such as screws, nuts, bolts, caps, etc. Tighten securely all fasteners and caps and do not operate this product until all missing or damaged parts are replaced.

Application

You may use this product for the purposes listed below:

- Clearing hard surfaces such as driveways and walkways
- Keeping decks and driveways free from leaves and pine needles

To Assemble the Blower Tube

⚠ WARNING To prevent accidental starting that could cause serious personal injury, always remove the battery pack from the tool when assembling parts.

- Align the groove in the tube with the knob on the blower housing. Push the tube onto the blower housing until the latch snaps into place (Fig. 2).
- To remove the tube, press and hold the tube-release button to disengage the latch, then pull the tube straight from the blower (Fig. 3).

Fig. 2a

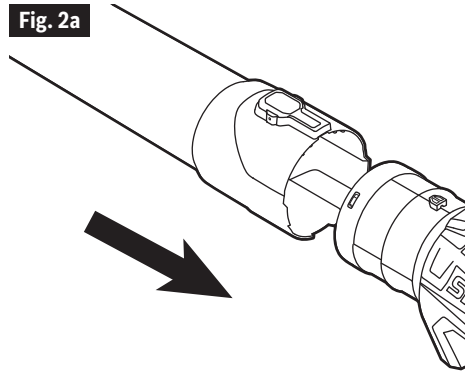


Fig. 2b

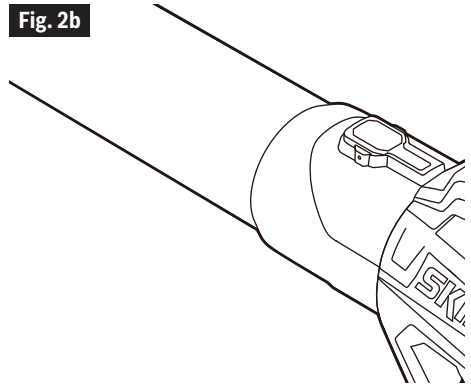
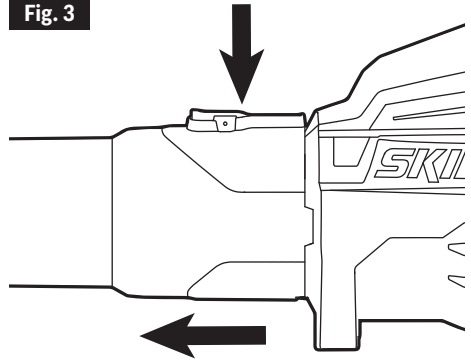


Fig. 3



To Attach/Detach Battery Pack

⚠ WARNING Battery tools are always in operating condition.

Therefore, remove the battery when assembling parts, making adjustments, cleaning, when the tool is not in use, or when carrying it at your side. Removing the battery pack will prevent accidental starting that could cause serious personal injury.

To attach the battery pack (Fig. 4):

- Align the ribs of the battery pack with the mounting slots in the blower's battery port.
- Press the battery pack toward the blower body until it snaps into position.

NOTICE: Make sure that the latch on the blower snaps into place and the battery pack is secured to the tool before beginning operation.

To detach the battery pack:

⚠ WARNING Always be aware for the location of your feet, children, or pets when pressing the battery-release button. Serious injury could result if the battery pack falls.

NEVER remove the battery pack at a high location.

- Press the battery-release button to cause the battery pack to disengage from the latch and the ejection mechanism will assist with removal.
- Grasp the battery pack and remove it from the blower.

To Start/Stop the Blower

Your blower can be started or stopped in two ways, as well as air speed adjustment.

With the Variable-Speed Trigger Switch (Fig. 6):

- Depress the variable-speed trigger switch to turn on the blower.
- The air speed of the blower is controlled with the variable-speed trigger switch. More pressure on the trigger results in higher blowing speeds; less pressure on the trigger results in lower blowing speeds. Adjust the speed to suit the task at hand.
- Release the variable-speed trigger switch to turn off the blower.

Fig. 4

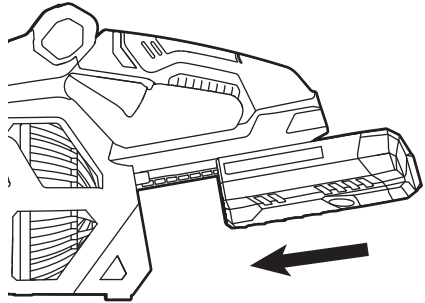


Fig. 5

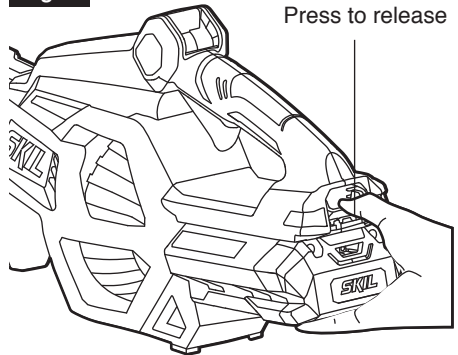
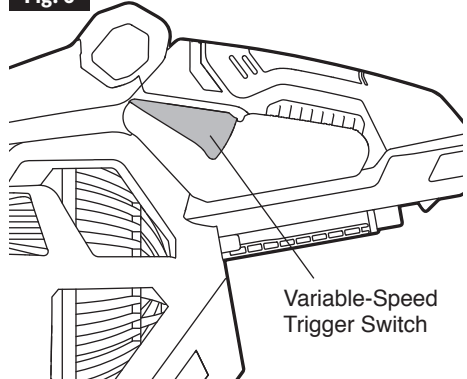
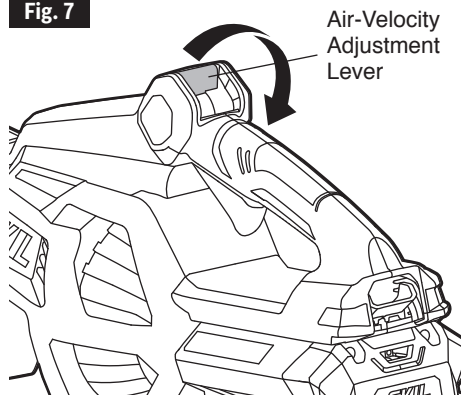


Fig. 6



With the Air-Velocity Adjustment Lever (Fig. 7):

Fig. 7



- Pull the air-velocity adjustment lever down to turn on the blower.
- As the air-velocity adjustment lever is pulled down, the variable-speed trigger switch is synchronously depressed in without manual operation, and the air speed is simultaneously increased.
- The air-velocity adjustment lever will stay in the position where you release it. The air speed is kept as you set it.
- Your blower can only reach the maximum air velocity by pulling the lever to the limited position.
- Push the air-velocity adjustment lever all the way up to turn off the blower.

NOTICE: The air-velocity adjustment lever must be always pushed all the way up before turning off the blower.

WARNING Always remove the battery pack from the blower during work breaks and after finishing work.

To Operate the Blower

- To keep from scattering debris, blow around the outer edges of a debris pile. Never blow directly into the center of a pile.
- To reduce sound levels, limit the number of pieces of equipment used at any one time.
- Use rakes and brooms to loosen debris before blowing. In dusty conditions, slightly dampen surfaces if water is available.
- Conserve water by using power blowers instead of hoses for many lawn and garden applications, including areas such as gutters, screens, patios, grills, porches, and gardens.
- Watch out for children, pets, open windows, or freshly washed cars, and blow debris safely away.
- After using blowers or other equipment, clean up! Dispose of debris properly.

MAINTENANCE

⚠ WARNING When servicing, use only identical replacement parts. Use of any other parts could create a hazard or cause product damage.

Periodically inspect the entire product for damaged, missing, or loose parts such as screws, nuts, bolts, caps, etc. Tighten securely all fasteners and caps and do not operate this product until all missing or damaged parts are replaced. Please contact customer service or an authorized service center for assistance.

Cleaning

⚠ WARNING To avoid serious personal injury, always remove the battery pack from the tool when cleaning or performing any maintenance.

- Avoid using solvents when cleaning plastic parts. Most plastics are susceptible to damage from various types of commercial solvents and may be damaged by their use.
- Wipe the surface with a dry cloth to remove dirt, dust, oil, grease, etc.

⚠ WARNING Do not at any time let brake fluids, gasoline, petroleum-based products, penetrating oils, etc., come in contact with plastic parts. Chemicals can damage, weaken or destroy plastic which may result in serious personal injury.

Storage

- Clean all foreign material from the air inlets of the blower.
- Store indoors in a place that is inaccessible to children. Keep away from corrosive agents, such as garden chemicals and de-icing salts.

Service

⚠ WARNING Preventive maintenance performed by unauthorized personnel may result in misplacing of internal wires and components which could cause serious hazard. We recommend that all tool service be performed by a SKIL Factory Service Center or Authorized SKIL Service Station.

TROUBLESHOOTING

Problem	Cause	Remedy
Blower doesn't work.	<ol style="list-style-type: none">1. The battery pack is not attached to the blower.2. No electrical contact between the blower and the battery.3. The battery pack is depleted.4. The battery pack or the blower is too hot.	<ol style="list-style-type: none">1. Attach the battery pack to the blower.2. Remove the battery, check contacts and reinstall the battery pack.3. Charge the battery pack.4. Turn off the blower and remove the battery pack from the blower. Allow the battery or the blower to cool down.
The air velocity decreases obviously.	<ol style="list-style-type: none">1. Excessive wearing of motor fan.2. The air inlet is blocked by debris.	<ol style="list-style-type: none">1. Have the tool serviced by an Authorized SKIL Service Center or Service Station.2. Remove the battery pack, clear the debris.

LIMITED WARRANTY OF SKIL CONSUMER TOOLS

5 YEAR LIMITED WARRANTY- LEGAL

Chervon North America, Inc. ("Seller") warrants to the original purchaser only, that all SKIL consumer TOOLS will be free from defects in material or workmanship for a period of five years from date of purchase, if original purchaser registers the product within 30 days from purchase. BATTERIES AND CHARGERS are warranted for 2 years. Product registration can be completed online at www.Registermyskil.com. Original purchasers should also retain their receipt as proof of purchase. THE FIVE-YEAR WARRANTY PERIOD FOR TOOLS IS CONDITIONED ON REGISTRATION OF THE PRODUCT WITHIN 30 DAYS OF PURCHASE. If original purchasers do not register their product within 30 days of purchase, the foregoing limited warranty will apply for a duration of three years for tools. All batteries and chargers will remain under the two-year limited warranty.

Notwithstanding the foregoing, if a SKIL consumer tool is used for industrial, professional, or commercial purposes, the foregoing warranty will apply for a duration of ninety days, regardless of registration.

SELLER'S SOLE OBLIGATION AND YOUR EXCLUSIVE REMEDY under this Limited Warranty and, to the extent permitted by law, any warranty or condition implied by law, shall be the repair or replacement of parts, without charge, which are defective in material or workmanship and which have not been misused, carelessly handled, or repaired by persons other than Seller or Authorized Service Station. To make a claim under this Limited Warranty, you must return the complete product, transportation prepaid, to any SKIL Factory Service Center or Authorized Service Station. For Authorized SKIL Power Tool Service Stations, please visit www.Registermyskil.com or call 1-877-SKIL-999 (1-877-754-5999).

THIS WARRANTY DOES NOT COVER ROUTINE MAINTENANCE PARTS AND CONSUMABLES THAT CAN WEAR OUT FROM NORMAL USE WITHIN THE WARRANTY PERIOD, INCLUDING BLADES, TRIMMER HEADS, CHAIN BARS, SAW CHAINS, BELTS, SCRAPER BARS, AND BLOWER NOZZLES.

ANY IMPLIED WARRANTIES APPLICABLE TO A PRODUCT SHALL BE LIMITED IN DURATION EQUAL TO THE DURATION OF THE EXPRESS WARRANTIES APPLICABLE TO SUCH PRODUCT, AS SET FORTH IN THE FIRST PARAGRAPH ABOVE. SOME STATES IN THE U.S., SOME CANADIAN PROVINCES DO NOT ALLOW LIMITATIONS ON HOW LONG AN IMPLIED WARRANTY LASTS, SO THE ABOVE LIMITATION MAY NOT APPLY TO YOU.

THIS WARRANTY DOES NOT COVER THE DAMAGE RESULTING FROM MODIFICATION, ALTERATION, OR UNAUTHORIZED REPAIR.

IN NO EVENT SHALL SELLER BE LIABLE FOR ANY INCIDENTAL OR CONSEQUENTIAL DAMAGES (INCLUDING BUT NOT LIMITED TO LIABILITY FOR LOSS OF PROFITS) ARISING FROM THE SALE OR USE OF THIS PRODUCT. SOME STATES IN THE U.S. AND SOME CANADIAN PROVINCES DO NOT ALLOW THE EXCLUSION OR LIMITATION OF INCIDENTAL OR CONSEQUENTIAL DAMAGES, SO THE ABOVE LIMITATION OR EXCLUSION MAY NOT APPLY TO YOU.

THIS LIMITED WARRANTY GIVES YOU SPECIFIC LEGAL RIGHTS, AND YOU MAY ALSO HAVE OTHER RIGHTS WHICH VARY FROM STATE TO STATE IN THE U.S., PROVINCE TO PROVINCE IN CANADA AND FROM COUNTRY TO COUNTRY.

THIS LIMITED WARRANTY APPLIES ONLY TO PRODUCTS SOLD WITHIN THE UNITED STATES OF AMERICA, CANADA AND THE COMMONWEALTH OF PUERTO RICO. FOR WARRANTY COVERAGE WITHIN OTHER COUNTRIES, CONTACT YOUR LOCAL SKIL DEALER OR IMPORTER.

TABLE DES MATIÈRES

Consignes de sécurité importantes	18-20
Symboles	21-23
Familiarisez-vous avec votre souffleuse à feuilles	24
Caractéristiques techniques	25
Mode d'emploi	26-29
Entretien	29-30
Recherche de la cause des problèmes	30
Garantie limitée de l'outil sans fil SKIL	31

CONSIGNES DE SÉCURITÉ IMPORTANTES

Lors de l'utilisation d'un appareil électrique, des précautions de base doivent toujours être prises, notamment les suivantes :

LISEZ TOUTES LES INSTRUCTIONS AVANT D'UTILISER CE PRODUIT !

⚠ AVERTISSEMENT Pour réduire le risque d'incendie, de choc électrique ou de blessures aux personnes :

Familiarisez-vous avec votre souffleuse. Lisez attentivement le manuel d'utilisation. Apprenez les applications et les limitations de votre souffleuse et prenez conscience des dangers éventuels spécifiques à cet outil. L'observation de cette règle réduira le risque de choc électrique, d'incendie ou de blessures graves.

Cette souffleuse est destinée à un usage domestique et commercial.

Ne laissez pas la souffleuse sans surveillance lorsque la batterie est insérée. Retirez la batterie lorsque la souffleuse n'est pas utilisée et avant toute opération d'entretien.

La souffleuse n'est pas un jouet. Une surveillance étroite est nécessaire lorsqu'elle est utilisée par des enfants ou à proximité d'enfants.

Utilisez uniquement l'appareil conformément aux instructions de ce manuel. Utilisez uniquement les accessoires recommandés par le fabricant.

Ne manipulez pas le chargeur, y compris la fiche du chargeur ou les bornes du chargeur, avec les mains mouillées.

Ne placez aucun objet dans les ouvertures. N'utilisez pas l'appareil si l'une de ses ouvertures est obstruée ; gardez les ouvertures exemptes de poussière, de peluches, de cheveux et de tout élément pouvant réduire la circulation de l'air.

Tenez les cheveux, les vêtements amples, les doigts et toutes les parties du corps à l'écart des ouvertures et des pièces mobiles. Les vêtements amples, les bijoux ou les cheveux longs peuvent être aspirés dans les aérations.

Attachez les cheveux longs au-dessus de l'épaule pour éviter qu'ils ne soient pris dans les pièces en mouvement.

Faites preuve d'une grande prudence lorsque vous nettoyez des escaliers.

Si la souffleuse ne fonctionne pas comme elle le devrait, si elle a chuté, si elle a été endommagée, si elle a été laissée à l'extérieur ou si elle est tombée dans l'eau, rapportez-la à un centre de service après-vente.

N'utilisez pas la souffleuse dans une atmosphère explosive, par exemple en présence de liquides, de gaz ou de poussières inflammables. Les souffleuses créent des étincelles qui peuvent enflammer la poussière ou les vapeurs.

Utilisez uniquement le chargeur fourni par le fabricant pour recharger la pile.

Ne chargez pas le bloc-piles à l'extérieur.

Ne chargez pas le bloc-piles sous la pluie ou dans des environnements humides.

Utilisez la souffleuse à pile seulement avec le bloc-piles conçu spécifiquement pour celle-ci. L'emploi de toute autre pile peut entraîner un risque d'incendie.

N'utilisez l'appareil qu'avec les blocs-piles et les chargeurs indiqués ci-dessous :

Bloc-piles	Chargeur
BY8705-00, BY8708C-01, BY8708-00, BY8723C-00	SC5364-00, SC5376C-00

Lorsque le bloc-piles n'est pas utilisé, tenez-le à l'écart d'autres objets métalliques tels que trombones, pièces de monnaie, clés, clous, vis ou autres petits objets métalliques qui peuvent établir une connexion entre les bornes. Le court-circuitage des bornes de la pile peut causer des brûlures ou provoquer un incendie.

Dans des conditions abusives, du liquide peut être éjecté de la pile ; évitez tout contact.

En cas de contact accidentel, rincez à grande eau. Si du liquide entre en contact avec les yeux, consultez un médecin. Le liquide éjecté de la pile peut provoquer une irritation ou des brûlures.

Respectez toutes les consignes applicables à la charge et ne chargez pas le bloc-piles ou l'appareil en dehors de la plage de températures spécifiée dans les instructions. Une charge incorrecte ou à des températures en dehors de la plage spécifiée peut endommager la pile et augmenter le risque d'incendie.

Faites preuve de vigilance et de bon sens, ne vous déconcentrez pas lorsque vous utilisez une souffleuse électrique. N'utilisez pas la souffleuse dans un état de fatigue ou de colère, ou sous l'influence de drogues, d'alcool ou de médicaments. Le moindre moment d'inattention pendant l'utilisation de la souffleuse peut entraîner des blessures graves.

Évitez tout démarrage accidentel. Assurez-vous que l'interrupteur est en position d'arrêt (off) ou verrouillé avant d'insérer le bloc-piles. Il est dangereux de porter une souffleuse en gardant le doigt sur l'interrupteur ou d'insérer le bloc-piles dans une souffleuse avec l'interrupteur en position marche.

Utilisez des équipements de sécurité. Portez toujours des équipements de protection des yeux. Un masque anti-poussière, des chaussures de sécurité antidérapantes, un casque de protection ou une protection pour les oreilles doivent être utilisés dans des conditions appropriées.

Portez toujours des lunettes de sécurité avec écrans latéraux certifiées conformes à la norme ANSI Z87.1, ainsi qu'une protection pour les oreilles lors de l'utilisation de cet équipement. Les lunettes de vue ordinaires n'ont que des verres résistants aux chocs. Ce ne sont PAS des lunettes de sécurité. L'observation de cette règle réduira le risque de blessures aux yeux.

N'utilisez pas l'appareil sur une échelle, un toit, un arbre ou tout autre support instable. Une position stable sur une surface solide permet de mieux contrôler la souffleuse dans des situations inattendues.

Prenez toujours garde à la position de vos pieds et à la présence d'enfants ou d'animaux domestiques autour de vous lorsque vous retirez le bloc-piles de la souffleuse. **Toute chute du bloc-piles peut entraîner un risque de blessures graves. Ne retirez JAMAIS le bloc-piles lorsque vous travaillez en hauteur.**

N'utilisez pas la souffleuse si l'interrupteur ne permet pas de la mettre en route ou de l'arrêter. Une souffleuse qui ne peut pas être contrôlée avec l'interrupteur est dangereuse et doit être réparée.

Détachez le bloc-piles de la souffleuse avant d'effectuer des réglages, de changer des accessoires ou de ranger la souffleuse. Ces mesures de sécurité préventives réduisent le risque de démarrage accidentel de la souffleuse.

Mettez toutes les commandes en position arrêt avant de retirer la pile.

Ne tentez PAS de retirer les obstructions de l'appareil sans retirer la pile au préalable.

Vérifiez l'absence de problème d'alignement ou de blocage des pièces mobiles, de casse des pièces, et tout défaut risquant d'affecter le fonctionnement de la souffleuse.

Si la souffleuse est endommagée, faites-la réparer avant de l'utiliser. Des souffleuses mal entretenues sont à l'origine de nombreux accidents.

Gardez la souffleuse et sa poignée sèches, propres et exemptes d'huile et de graisse.

Utilisez toujours un chiffon propre pour le nettoyage. N'utilisez jamais de liquide de freins, d'essence, de produits à base de pétrole ou de solvants puissants pour nettoyer votre souffleuse. Le respect de cette règle réduira le risque de perte de contrôle et de détérioration du plastique du boîtier.

Protégez vos poumons. Portez un masque facial ou un masque anti-poussière si l'opération soulève de la poussière. L'observation de cette règle réduira le risque de blessures graves.

Protégez votre ouïe. Portez une protection pour les oreilles en cas d'utilisation prolongée. L'observation de cette règle réduira le risque de blessures graves.

Portez un pantalon long, un vêtement à manches longues et des bottes. Évitez les vêtements amples ou les bijoux qui pourraient être pris dans les pièces mobiles de la machine ou de son moteur.

N'utilisez pas l'équipement pieds nus ou en portant des sandales ou des chaussures légères similaires. Portez des chaussures de protection qui protégeront vos pieds et amélioreront votre stabilité sur les surfaces glissantes.

Les souffleuses à pile n'ont pas besoin d'être branchées à une prise électrique ; elles sont toujours en état de fonctionnement. Ayez conscience des dangers potentiels lorsque vous n'utilisez pas votre souffleur à pile ou lorsque vous changez d'accessoire. L'observation de cette règle réduira le risque de choc électrique, d'incendie ou de blessures graves.

N'incinerez pas l'appareil même s'il est gravement endommagé. Les piles peuvent exploser lorsqu'elles sont exposées aux flammes.

Les piles peuvent exploser en présence d'une source d'inflammation comme une veilleuse. Pour réduire le risque de blessures graves, n'utilisez jamais d'appareil sans fil en présence d'une flamme vive. En explosant, une pile peut projeter des débris et des agents chimiques. En cas d'exposition, rincez immédiatement à l'eau.

Gardez une bonne position et un bon équilibre. Ne vous penchez pas de manière excessive. Vous pourriez perdre l'équilibre.

Inspectez la zone de travail avant chaque utilisation. Retirez tous les objets tels que les pierres, le verre brisé, les clous, les fils ou les ficelles qui peuvent être projetés par la machine ou s'y emmêler.

Ne dirigez pas le tube de la souffleur en direction des personnes ou des animaux domestiques.

Ne faites jamais fonctionner l'appareil sans l'équipement approprié attaché. Veillez toujours à ce que le tube de la souffleur soit installé.

Lorsqu'elle n'est pas utilisée, la souffleur doit être rangée à l'intérieur dans un endroit sec et sûr, hors de portée des enfants.

Tenez toutes les personnes présentes, les enfants et les animaux domestiques à une distance d'au moins 15 m (50 pi).

N'utilisez jamais la souffleur à proximité d'un feu ou de cendres chaudes. L'utilisation à proximité d'un feu ou de cendres peut propager les flammes et entraîner des blessures et/ou des dommages matériels graves.

N'utilisez jamais la souffleur pour répandre des produits chimiques, des engrais ou toute autre substance toxique. L'épandage de telles substances peut entraîner des blessures graves pour l'opérateur ou les personnes présentes.

Ne placez jamais la souffleur sur une quelconque surface qui ne soit pas dure et propre lorsque le moteur tourne. Le gravier, le sable et d'autres débris peuvent être captés par l'entrée d'air et projetés sur l'opérateur ou les personnes présentes, ce qui peut causer des blessures graves.

 **AVERTISSEMENT** Pour assurer la sécurité et la fiabilité, toutes les réparations doivent être effectuées par un technicien d'entretien qualifié.

La souffleur ne doit être entretenue que par un personnel de réparation qualifié. L'entretien ou la réparation effectués par un personnel non qualifié peut entraîner un risque de blessure.

Lors de toute réparation d'une souffleur, n'utilisez que des pièces de rechange identiques. Suivez les instructions de la section Entretien de ce manuel. L'utilisation de pièces non autorisées ou le non-respect des instructions d'entretien peut entraîner un risque de choc ou de blessures.

N'exposez pas un bloc-piles ou l'outil au feu ou à une température excessive. L'exposition au feu ou une température supérieure à 100 °C (212 °F) peut provoquer une explosion.

Conservez ces instructions. Consultez-les fréquemment et utilisez-les pour donner les consignes nécessaires à d'autres personnes susceptibles d'utiliser cet outil. Si vous prêtez cet outil à quelqu'un d'autre, prêtez-lui aussi ces instructions afin de prévenir un emploi non conforme du produit et tout risque de blessures.





CONSERVEZ CES INSTRUCTIONS !

SYMBOLES

Symboles de sécurité

L'objectif des symboles de sécurité est d'attirer votre attention sur les dangers potentiels. Vous devez examiner attentivement et bien comprendre les symboles de sécurité et les explications qui les accompagnent. Les symboles d'avertissement en tant que tels n'éliminent pas le danger. Les consignes et les avertissements qui y sont associés ne remplacent en aucun cas les mesures préventives adéquates.

⚠ AVERTISSEMENT Assurez-vous de lire et de comprendre toutes les consignes de sécurité présentées dans le présent guide d'utilisation, notamment toutes les consignes de sécurité indiquées par « **DANGER** », « **AVERTISSEMENT** » et « **ATTENTION** » avant d'utiliser cet outil. Le fait de ne pas respecter toutes les consignes de sécurité ci-dessous peut causer un choc électrique, un incendie ou des blessures graves.

Les définitions ci-dessous décrivent le degré de gravité pour chaque mot-indicateur. Veuillez lire ce guide et prêter attention à ces symboles.	
	Voici le pictogramme d'alerte de sécurité. Il sert à vous indiquer les risques potentiels de blessures. Respectez toutes les consignes de sécurité associées à ce pictogramme pour éviter les risques de blessures ou de mort.
	DANGER indique un danger imminent qui, s'il n'est pas évité, causera des blessures graves ou la mort.
	AVERTISSEMENT indique un risque pouvant entraîner des blessures graves ou la mort s'il n'est pas prévenu.
	ATTENTION, utilisée avec le symbole d'alerte de sécurité, indique un risque potentiel qui, s'il n'est pas éliminé, provoquera des blessures mineures ou moyennement graves.

Messages d'information et de prévention des dommages

Ces messages contiennent des renseignements importants à l'intention de l'utilisateur ainsi que des consignes à respecter. Le non-respect de celles-ci peut occasionner des dommages à l'équipement ou d'autres dommages matériels. Chaque message est précédé du mot « AVIS », comme dans l'exemple ci-dessous :







AVIS : Ne pas suivre ces consignes pourrait occasionner des dommages à l'équipement ou d'autres dommages matériels.



⚠ AVERTISSEMENT L'utilisation de tout outil électrique peut entraîner la projection de corps étrangers dans les yeux et ainsi causer des lésions oculaires graves. Lorsque vous utilisez un outil électrique, portez toujours des lunettes de sécurité pourvues d'écrans latéraux et d'un écran facial panoramique, au besoin. Nous recommandons le port d'un masque de sécurité panoramique par-dessus les lunettes ou de lunettes de sécurité standard avec écrans latéraux. Portez toujours des protecteurs oculaires conformes à la norme ANSI Z87.1.








SYMBOLES (SUITE)

IMPORTANT : Les symboles suivants peuvent figurer sur votre outil. Familiarisez-vous avec eux et apprenez leur signification. En comprenant ces symboles, vous serez en mesure de faire fonctionner cet outil de façon adéquate et sécuritaire.

Symbole	Nom	Forme au long et explication
V	Volts	Tension (possible)
A	Ampère	Courant
Hz	Hertz	Fréquence (cycles par seconde)
W	Watt	Puissance
kg	Kilogrammes	Poids
min	Minutes	Durée
s	Secondes	Durée
Wh	Watheures	Capacité de la pile
Ah	Ampères-heures	Capacité de la pile
Ø	Diamètre	Taille des forets, des meules, etc.
n_0	Vitesse à vide	Vitesse de rotation à vide
n	Vitesse nominale	Vitesse maximale atteignable
.../min	Tours ou va-et-vient par minute	Tours, coups, vitesse périphérique, orbites, etc., par minute
IPX4	Degré de protection contre l'intrusion	Protection contre les projections d'eau
CFM	Pieds cubes par minute	Volume d'air
MPH	Miles par heure	Vitesse de l'air
	Flèche	L'activation se fait dans le sens de la flèche
	Courant alternatif	Type de courant ou caractéristique de courant
	Courant continu	Type de courant ou caractéristique de courant
	Sceau du programme de recyclage des piles au lithium-ion	Désigne le programme de recyclage des piles au lithium-ion
	Symbole de lecture du manuel	Invite l'utilisateur à lire le manuel
	Symbole du port de lunettes de sécurité	Invite l'utilisateur à porter des lunettes de protection

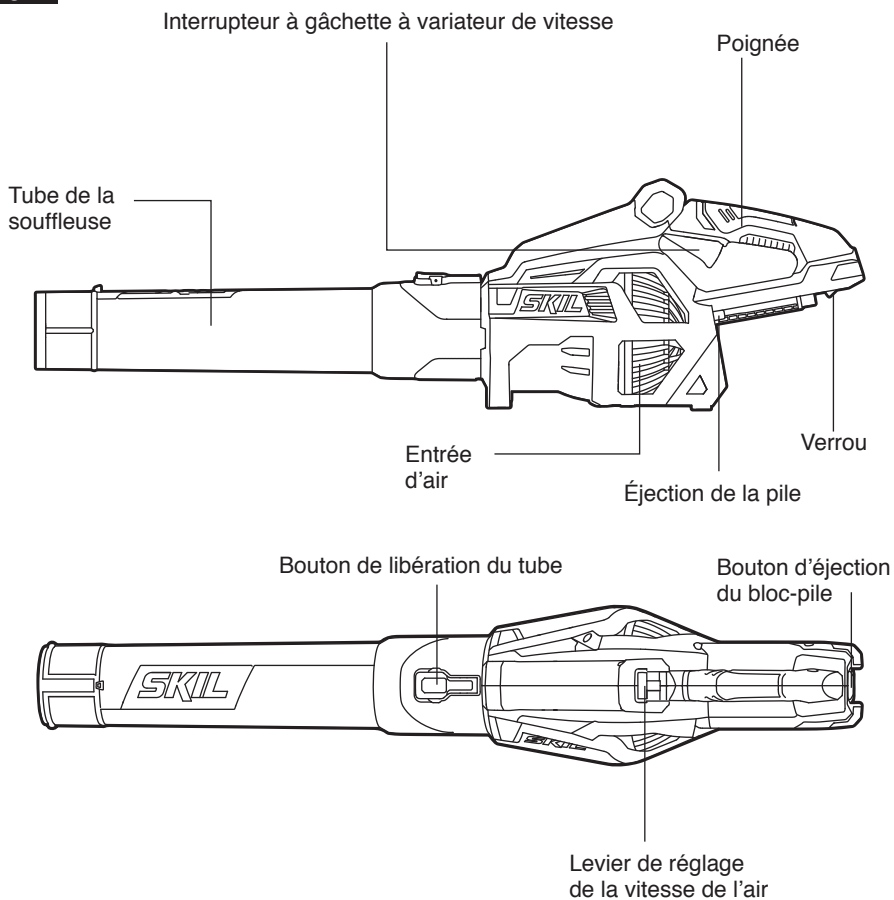
SYMBOLES (RENSEIGNEMENTS EN MATIÈRE D'HOMOLOGATION)

IMPORTANT: Les symboles suivants peuvent figurer sur votre outil. Familiarisez-vous avec eux et apprenez leur signification. En comprenant ces symboles, vous serez en mesure de faire fonctionner cet outil de façon adéquate et sécuritaire.

Symbole	Forme au long et explication
	<p>Ce symbole indique que cet outil est répertorié par Underwriters Laboratories.</p>
	<p>Ce symbole indique que cet composant est reconnu par Underwriters Laboratories.</p>
	<p>Ce symbole indique que cet outil est répertorié par Underwriters Laboratories, selon les normes américaines et canadiennes.</p>
	<p>Ce symbole indique que cet outil est répertorié par l'Association canadienne de normalisation.</p>
	<p>Ce symbole indique que cet outil est répertorié par l'Association canadienne de normalisation et qu'il est conforme aux normes américaines et canadiennes.</p>
	<p>Ce symbole indique que cet outil est répertorié par Intertek Testing et qu'il est conforme aux normes américaines et canadiennes.</p>
	<p>Ce symbole indique que cet outil est conforme aux normes mexicaines officielles (NOM).</p>

FAMILIARISEZ-VOUS AVEC VOTRE SOUFFLEUSE À FEUILLES

Fig. 1



CARACTÉRISTIQUES TECHNIQUES

Tension nominale	40 V c.c.
Volume d'air	Maxi. 530 PCM
Vitesse de l'air	Maxi. 130 MPH
Température de fonctionnement recommandée	-15 ~ 40 °C (5 ~ 104 °F)
Température de rangement recommandée	0~ 40 °C (32 ~ 104 °F)

Interrupteur à gâchette à variateur de vitesse

Permet de démarrer ou d'arrêter la souffleuse et de fournir une vitesse plus élevée lorsque la pression exercée sur la gâchette est élevée et une vitesse plus basse lorsque la pression exercée sur la gâchette est réduite.

Levier de réglage de la vitesse de l'air

Ajuste et maintient la vitesse de l'air de la souffleuse en fonction de vos besoins. Amplifie la vitesse de l'air au maximum en tirant le levier en position maximale.

Bouton d'éjection de la pile

Appuyez sur ce bouton pour libérer le bloc-piles de l'outil.

Verrou

Verrouille le bloc-piles en place lorsqu'il est installé sur l'outil.

Éjection de la pile

Aide à retirer la pile.

MODE D'EMPLOI

⚠ AVERTISSEMENT Pour réduire les risques d'incendie, de blessures corporelles et de détérioration de l'outil découlant d'un court-circuit, ne plongez jamais l'outil, le bloc-piles ou le chargeur dans un liquide et ne laissez aucun liquide s'écouler sur ceux-ci. Les liquides corrosifs ou conducteurs, tels que l'eau de mer, certains produits chimiques industriels, l'eau de javel, les produits contenant de l'eau de Javel, etc., peuvent causer un court-circuit.

⚠ AVERTISSEMENT S'il y a des pièces manquantes ou endommagées, ne tentez pas d'utiliser l'article tant que ces pièces n'auront pas été remplacées. L'utilisation de cet article avec des pièces endommagées ou manquantes peut causer des blessures graves.

⚠ AVERTISSEMENT Ne tentez pas de modifier cet outil ou de créer des accessoires qui ne sont pas recommandés pour cet outil. Toute modification est considérée comme un usage inapproprié et peut créer une situation dangereuse susceptible d'entraîner des blessures graves.

⚠ AVERTISSEMENT N'utilisez pas d'accessoire non recommandé par le fabricant de ce produit. L'utilisation d'accessoires non recommandés peut entraîner des blessures graves.

⚠ AVERTISSEMENT Ne laissez pas l'habitude découlant de l'usage de ce produit endormir votre vigilance. N'oubliez jamais qu'une fraction de seconde d'inattention suffit pour causer de graves blessures.

⚠ AVERTISSEMENT Portez toujours des lunettes de sécurité avec écrans latéraux certifiées conformes à la norme ANSI Z87.1, ainsi qu'une protection pour les oreilles. Le non-respect de cette consigne peut entraîner la projection d'objets dans les yeux et d'autres blessures graves.

⚠ AVERTISSEMENT Pour éviter tout démarrage accidentel pouvant entraîner des blessures graves, retirez toujours le bloc-piles de l'outil lorsque vous montez des pièces, effectuez des réglages, nettoyez l'appareil ou lorsqu'il n'est pas utilisé.

Avant chaque utilisation, inspectez le produit dans son intégralité pour vous assurer qu'il ne présente pas de pièces endommagées, manquantes ou desserrées, comme des vis, des écrous, des boulons, des capuchons, etc. Serrez fermement toutes les fixations et tous les capuchons et n'utilisez pas ce produit tant que toutes les pièces manquantes ou endommagées n'ont pas été remplacées.

Application

Vous pouvez utiliser ce produit aux fins énumérées ci-dessous :

- Nettoyage des surfaces dures telles que les allées et trottoirs
- Soufflage des feuilles et des aiguilles de pin sur les terrasses et les allées

Pour assembler le tube de la souffleuse

⚠ AVERTISSEMENT Pour éviter tout démarrage accidentel pouvant entraîner des blessures graves, retirez toujours le bloc-piles de l'outil lorsque vous montez des pièces.

- Alignez la rainure du tube avec l'ergot présent sur le boîtier de la souffleuse. Poussez le tube sur le boîtier de la souffleuse jusqu'à ce que le verrou s'enclenche (Fig. 2).
- Pour retirer le tube, maintenez enfoncé le bouton de déverrouillage du tube, puis tirez le tube directement pour le séparer de la souffleuse (Fig. 3).

Fig. 2a

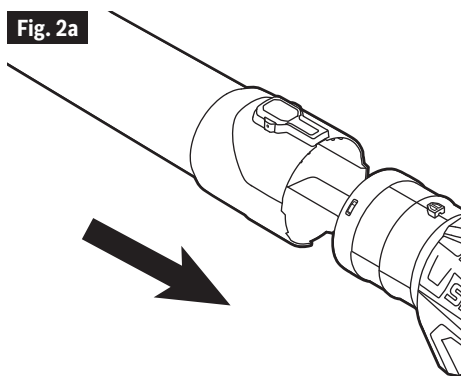


Fig. 2b

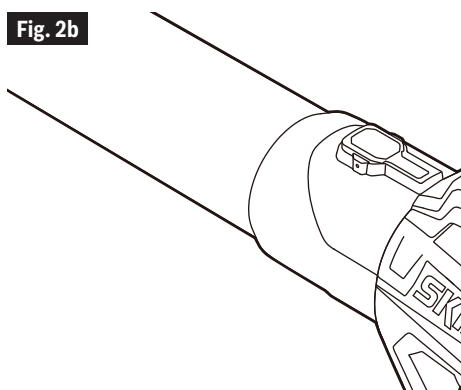
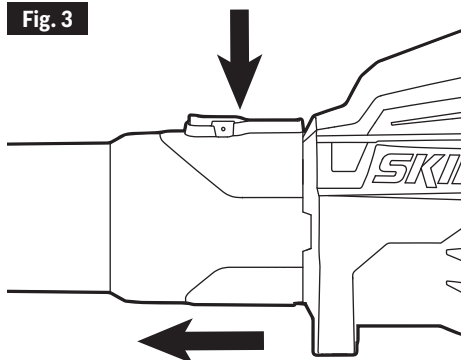


Fig. 3



Pour attacher/détacher le bloc-piles

⚠ AVERTISSEMENT Les outils à pile sont toujours en

état de fonctionnement. Par conséquent, retirez la pile lorsque vous assemblez des pièces, effectuez des réglages, nettoyez l'outil, lorsque l'outil n'est pas utilisé, ou lorsque vous le transportez à vos côtés. En retirant le bloc-piles, vous éviterez un démarrage accidentel qui pourrait entraîner des blessures graves.

Pour attacher le bloc-piles (Fig.4)

- Alignez les nervures du bloc-piles avec les fentes de montage du logement de pile de la souffleuse.
- Poussez le bloc-piles vers le corps de la souffleuse jusqu'à ce qu'il s'enclenche.

REMARQUE : Assurez-vous que le verrou de la souffleuse s'enclenche et que le bloc-piles est bien fixé à l'outil avant de commencer à travailler.

Retrait du bloc-piles :

⚠ AVERTISSEMENT Prêtez toujours attention à la position de vos pieds et à la présence d'enfants ou d'animaux domestiques lorsque vous appuyez sur le bouton de déverrouillage de la pile. Toute chute du bloc-piles peut entraîner un risque de blessures graves.

NE retirez JAMAIS le bloc-piles lorsque vous vous trouvez en hauteur.

- Appuyez sur le bouton de déverrouillage de la pile pour désengager le bloc-piles du verrou et le mécanisme d'éjection vous aidera à le retirer.
- Saisissez le bloc-piles et retirez-le de la souffleuse.

Fig. 4

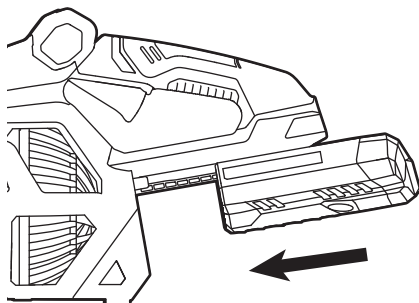
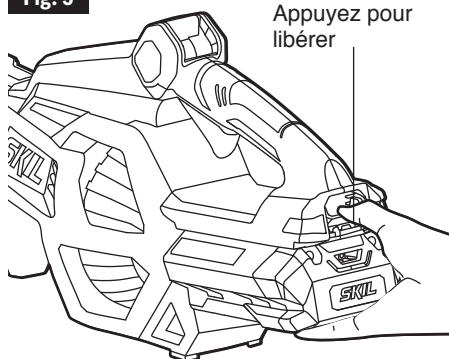


Fig. 5



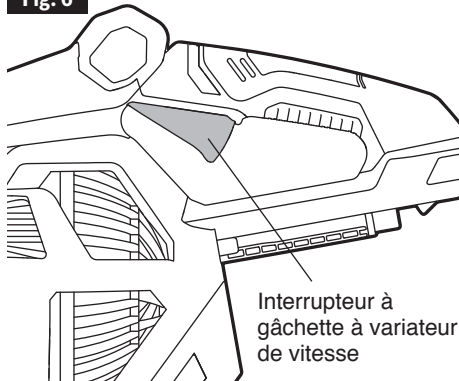
Pour démarrer/arrêter la souffleuse

Votre souffleuse peut être démarrée ou arrêtée de deux façons. Il en va de même pour le réglage de la vitesse de l'air.

Avec l'interrupteur à gâchette à variateur de vitesse (Fig. 6) :

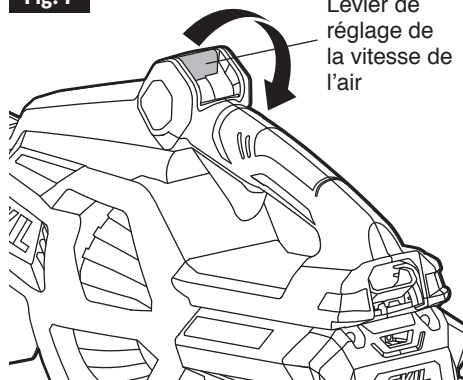
- Pressez l'interrupteur à gâchette à variateur de vitesse pour mettre la souffleuse en marche.
- La vitesse de l'air de la souffleuse est contrôlée par l'interrupteur à gâchette à variateur de vitesse. Une pression plus élevée sur la gâchette entraîne des vitesses de soufflage plus élevées ; une pression moindre sur la gâchette entraîne des vitesses de soufflage plus basses. Ajustez la vitesse en fonction de la tâche à accomplir.
- Relâchez l'interrupteur à gâchette à variateur de vitesse pour arrêter la souffleuse.

Fig. 6



Avec le levier de réglage de la vitesse de l'air (Fig. 7) :

Fig. 7



- Tirez le levier de réglage de la vitesse de l'air vers le bas pour mettre la souffleuse en marche.
- Lorsque le levier de réglage de la vitesse de l'air est tiré vers le bas, l'interrupteur à gâchette à variateur de vitesse s'enfonce en même temps sans action de votre part et la vitesse de l'air est simultanément augmentée.
- Le levier de réglage de la vitesse de l'air reste dans la position où vous le relâchez. La vitesse de l'air est conservée telle que vous la réglez.
- Votre souffleuse ne peut atteindre la vitesse maximale de l'air qu'en tirant le levier jusqu'à sa butée.
- Poussez le levier de réglage de la vitesse de l'air entièrement vers le haut pour arrêter la souffleuse.

REMARQUE : Le levier de réglage de la vitesse de l'air doit toujours être poussé entièrement vers le haut avant d'arrêter la souffleuse.

⚠ AVERTISSEMENT Retirez toujours le bloc-piles de la souffleuse pendant les pauses et après la fin des travaux.

Pour faire fonctionner la souffleuse

- Pour éviter de disperser les débris, soufflez sur les bords extérieurs d'un tas de débris. Ne soufflez jamais directement au centre d'un tas.
- Pour réduire les niveaux sonores, limitez le nombre d'appareils utilisés en même temps.
- Utilisez des râtaux et des balais pour défaire les amas de débris avant de souffler. Dans des conditions poussiéreuses, humidifiez légèrement les surfaces si l'eau est disponible.
- Préservez l'eau en utilisant une souffleuse électrique au lieu d'un tuyau d'arrosage pour de nombreuses applications dans les pelouses et les jardins, y compris les gouttières, les écrans de jardin, les patios, les grilles, les porches et les espaces paysagers.
- Prenez garde aux enfants, aux animaux domestiques, aux fenêtres ouvertes ou aux voitures fraîchement lavées, et soufflez les débris en toute sécurité pour les écarter.
- Après avoir utilisé une souffleuse ou d'autres équipements, nettoyez ! Éliminez les débris de façon appropriée.

ENTRETIEN

⚠ AVERTISSEMENT Lors de l'entretien, utilisez seulement des pièces de rechange identiques aux pièces d'origine. L'utilisation de toute autre pièce peut constituer un danger ou endommager l'article.

Inspectez périodiquement l'intégralité de l'article pour y déceler des pièces endommagées, manquantes ou lâches telles que des vis, des écrous, des boulons, des capuchons, etc. Resserrez fermement toutes les fixations et tous les capuchons et ne faites pas fonctionner cet article tant que toutes les pièces manquantes ou endommagées n'ont pas été remplacées. Veuillez communiquer avec le service à la clientèle ou avec un centre de service autorisé pour obtenir de l'aide.

Nettoyage

⚠ AVERTISSEMENT Pour éviter des blessures graves, retirez toujours le bloc-piles de l'outil lors du nettoyage ou de l'entretien.

- Évitez d'utiliser des solvants lors du nettoyage des pièces en plastique. La plupart des plastiques sont susceptibles d'être endommagés par divers types de solvants commerciaux.
- Essuyez la surface avec un chiffon sec pour enlever la saleté, la poussière, l'huile, la graisse, etc.

⚠ AVERTISSEMENT Ne laissez jamais les liquides de freins, l'essence, les produits à base de pétrole, les huiles pénétrantes, etc. entrer en contact avec les pièces en plastique. Les produits chimiques peuvent endommager, affaiblir ou détruire le plastique, ce qui peut entraîner des blessures graves.

Rangement

- Nettoyez les entrées d'air de la souffleuse en éliminant tout corps étranger.
- Rangez l'appareil à l'intérieur, hors de portée des enfants. Tenez l'appareil à l'écart des agents corrosifs tels que les produits chimiques de jardin et les sels de déglacage.

Entretien

⚠ AVERTISSEMENT L'entretien préventif effectué par une personne non autorisée peut avoir comme résultat de déplacer les fils et les composants internes de l'outil, ce qui pourrait constituer un grave danger. Nous recommandons que tout entretien de l'outil soit effectué dans un centre de service de l'usine de SKIL ou dans un centre de service autorisé par SKIL.

RECHERCHE DE LA CAUSE DES PROBLÈMES

Problème	Cause	Remède
La souffleuse ne fonctionne pas.	<ol style="list-style-type: none">1. Le bloc-piles n'est pas attaché à la souffleuse.2. Pas de contact électrique entre la souffleuse et la pile.3. Le bloc-piles est déchargé.4. La température du bloc-piles ou de la souffleuse est trop élevée.	<ol style="list-style-type: none">1. Attachez le bloc-piles à la souffleuse.2. Détachez la pile, contrôlez les contacts et réinstallez le bloc-piles.3. Chargez le bloc-piles.4. Arrêtez la souffleuse et retirez le bloc-piles de la souffleuse. Laissez la pile ou la souffleuse refroidir à température ambiante.
La vitesse de l'air diminue de manière évidente.	<ol style="list-style-type: none">1. Usure excessive du ventilateur du moteur.2. L'entrée d'air est obstruée par des débris.	<ol style="list-style-type: none">1. Faites entretenir l'outil par un centre de service après-vente ou un centre de service SKIL agréé.2. Détachez le bloc-piles, nettoyez les débris.

GARANTIE LIMITÉE DE L'OUTIL SKIL

GARANTIE LIMITÉE DE 5 ANS

Chervon North America, Inc. (le « vendeur ») garantit à l'acheteur initial seulement que tous les OUTILS SKIL destinés à un usage résidentiel seront exempts de défauts de matériaux ou de fabrication pour une période de cinq ans à compter de la date d'achat si l'acheteur initial enregistre l'article dans les 30 jours suivant la date d'achat. LES PILES ET LES CHARGEURS sont garantis pour une période de 2 ans. L'enregistrement de l'article peut être effectué en ligne au www.Registermyskil.com. De plus, nous recommandons aux acheteurs initiaux de conserver leur reçu comme preuve d'achat. LA PÉRIODE DE GARANTIE DE CINQ ANS SUR LES OUTILS EST CONDITIONNELLE À L'ENREGISTREMENT DE L'ARTICLE DANS LES 30 JOURS SUIVANT LA DATE D'ACHAT. Si les acheteurs initiaux n'enregistrent pas leur article dans le délai prévu, la garantie limitée sur les outils électriques susmentionnée ne s'appliquera que pour une période de trois ans. Toutes les piles et tous les chargeurs demeureront couverts par la garantie limitée de deux ans.

Nonobstant les dispositions précédentes, si un outil SKIL destiné à un usage résidentiel est utilisé à des fins industrielles, professionnelles ou commerciales, la garantie susmentionnée ne s'appliquera que pour une période de quatre-vingt-dix (90) jours, que l'article ait été enregistré ou non.

LA SEULE OBLIGATION DU VENDEUR ET VOTRE RECOURS EXCLUSIF au titre de cette garantie limitée et, dans les limites permises par la loi, de toute garantie ou condition prévue par la loi, est la réparation ou le remplacement, sans frais, des pièces qui présentent un défaut matériel ou de fabrication, qui n'ont pas fait l'objet d'un usage abusif ou inapproprié et qui n'ont pas été réparées par des personnes autres que le vendeur ou un technicien d'un centre de service autorisé. Pour effectuer une réclamation au titre de la présente garantie limitée, vous devez retourner, port payé, l'article en entier à un centre de service de l'usine de SKIL ou à un centre de service autorisé. Pour communiquer avec un centre de service autorisé de SKIL Power Tools, veuillez visiter le www.Registermyskil.com ou composer le 1 877 SKIL-999 (1 877 754-5999).

LA PRÉSENTE GARANTIE NE COUVRE PAS LES PIÈCES D'ENTRETIEN COURANT ET LES CONSOMMABLES QUI PEUVENT S'USER À LA SUITE D'UNE UTILISATION NORMALE PENDANT LA PÉRIODE DE GARANTIE, Y COMPRIS LES LAMES, LES TÊTES DE COUPE, LES GUIDE-CHAÎNE, LES CHAÎNES DE COUPE, LES COURROIES, LES RACLEURS ET LES BUSES DE SOUFFLAGE.

TOUTE GARANTIE IMPLICITE APPLICABLE À UN ARTICLE EST LIMITÉE À UNE DURÉE ÉGALE À LA DURÉE DES GARANTIES EXPRESSES APPLICABLES À UN TEL ARTICLE, COMME IL EST INDIQUÉ AU PREMIER PARAGRAPHE DE CETTE GARANTIE. CERTAINS ÉTATS DES ÉTATS-UNIS ET CERTAINES PROVINCES DU CANADA NE PERMETTENT PAS DE LIMITATIONS QUANT À LA DURÉE DES GARANTIES IMPLICITES, DE SORTE QUE LES LIMITATIONS INDIQUÉES CI-DESSUS PEUVENT NE PAS S'APPLIQUER À VOUS.

LA PRÉSENTE GARANTIE NE COUVRE PAS LES DOMMAGES RÉSULTANT D'UNE MODIFICATION, D'UNE TRANSFORMATION OU D'UNE RÉPARATION NON AUTORISÉE.

LE VENDEUR NE SERA EN AUCUN CAS TENU RESPONSABLE DES DOMMAGES ACCESSOIRES OU CONSÉCUTIFS (Y COMPRIS, SANS TOUTEFOIS S'Y LIMITER, DES PERTES DE PROFIT) RÉSULTANT DE LA VENTE OU DE L'USAGE DE CET ARTICLE. CERTAINS ÉTATS DES ÉTATS-UNIS ET CERTAINES PROVINCES DU CANADA NE PERMETTENT PAS L'EXCLUSION OU LA LIMITATION DES DOMMAGES ACCESSOIRES OU CONSÉCUTIFS, DE SORTE QUE LA LIMITATION OU L'EXCLUSION SUSMENTIONNÉE POURRAIT NE PAS S'APPLIQUER À VOUS.

CETTE GARANTIE LIMITÉE VOUS CONFÈRE DES DROITS PRÉCIS. IL EST POSSIBLE QUE VOUS DISPOSIEZ ÉGALEMENT D'AUTRES DROITS, QUI VARIENT D'UN ÉTAT, D'UNE PROVINCE OU D'UN PAYS À L'AUTRE.

CETTE GARANTIE LIMITÉE S'APPLIQUE UNIQUEMENT AUX ARTICLES VENDUS AUX ÉTATS-UNIS D'AMÉRIQUE, AU CANADA ET À L'ÉTAT LIBRE DE PORTO RICO. POUR CONNAÎTRE LA COUVERTURE DE LA GARANTIE DANS D'AUTRES PAYS, VEUILLEZ COMMUNIQUER AVEC VOTRE DÉTAILLANT OU IMPORTATEUR SKIL LOCAL.

© Chervon North America, 1203 E. Warrenville Rd, Naperville, IL 60563.

ÍNDICE

Instrucciones de seguridad importantes	33-35
Símbolos	36-38
Familiarícese con su soplador de hojas	39
Especificaciones	40
Instrucciones de funcionamiento	41-44
Mantenimiento	44-45
Solución de problemas	45
Garantía limitada de la herramienta inalámbrica SKIL	46

INSTRUCCIONES DE SEGURIDAD IMPORTANTES

Cuando se utilice un electrodoméstico, se deberán seguir siempre precauciones básicas, incluyendo las siguientes:

¡LEA TODAS LAS INSTRUCCIONES ANTES DE UTILIZAR ESTE PRODUCTO!

⚠️ ADVERTENCIA Para reducir el riesgo de incendio, descargas eléctricas o lesiones:

Conozca su soplador. Lea detenidamente el manual de instrucciones. Aprenda las aplicaciones y limitaciones del soplador, así como los peligros potenciales específicos relacionados con este soplador. Al seguir esta norma se reducirá el riesgo de descargas eléctricas, incendio o lesiones graves.

Este soplador está diseñado para uso tanto doméstico como comercial.

No deje desatendido el soplador cuando la batería esté insertada. Retire la batería cuando el soplador no se esté utilizando y antes de hacerle servicio de ajustes y reparaciones.

No deje que el soplador se utilice como un juguete. Se necesita suma atención cuando el soplador sea utilizado por niños o cerca de niños.

Utilice el cargador solamente tal y como se describe en este manual. Utilice únicamente aditamentos recomendados por el fabricante.

No maneje el cargador, incluyendo el enchufe del cargador o los terminales del cargador, con las manos mojadas.

No ponga ningún objeto en ninguna de las aberturas. No utilice la unidad si alguna abertura está bloqueada; mantenga las aberturas libres de polvo, pelusa, pelo y cualquier cosa que pueda reducir el caudal de aire.

Mantenga el pelo, la ropa holgada, los dedos y todas las partes del cuerpo alejados de las aberturas y las piezas móviles. La ropa holgada, las joyas o el pelo largo pueden ser arrastrados hacia las aberturas de ventilación.

Sujete el pelo largo por encima del nivel de los hombros para impedir que se enrede en las piezas móviles.

Tenga cuidado adicional cuando limpie en escaleras.

Si el soplador no está funcionando como debería, se ha caído, se ha dañado, se ha dejado a la intemperie o se ha caído al agua, devuélvalo a un centro de servicio.

No utilice sopladores en atmósferas explosivas, tales como las existentes en presencia de líquidos, gases o polvos inflamables. Los sopladores generan chispas que es posible que incendien los polvos o los vapores.

Utilice únicamente el cargador suministrado por el fabricante para recargar la unidad.

No cargue el paquete de batería a la intemperie.

No cargue el paquete de batería en la lluvia ni en lugares mojados.

Utilice el soplador operado por batería solo con un paquete de batería designado específicamente. Es posible que el uso de otras baterías cree un riesgo de incendio.

N'utilisez l'appareil qu'avec les blocs-piles et les chargeurs indiqués ci-dessous :

Paquete de baterías	Cargadores
BY8705-00, BY8708C-01, BY8708-00, BY8723C-00	SC5364-00, SC5376C-00

Cuando el paquete de batería no se esté utilizando, manténgalo alejado de otros objetos metálicos, tales como clips sujetapapeles, monedas, llaves, clavos, tornillos u otros objetos metálicos pequeños que pueden hacer una conexión de un terminal a otro. Si se cortocircuitan juntos los terminales de la batería, es posible que se causen quemaduras o un incendio.

En condiciones abusivas, es posible que la batería expulse líquido; evite el contacto con los ojos. Si ocurre contacto accidentalmente, enjuáguese con agua. Si entra líquido en contacto con los ojos, busque ayuda médica adicionalmente. Es posible que el líquido expulsado por la batería cause irritación o quemaduras.

Siga todas las instrucciones de carga y no cargue el paquete de batería ni el electrodoméstico fuera del intervalo de temperaturas especificado en las instrucciones.

Si se carga incorrectamente o a temperaturas que estén fuera del intervalo especificado, es posible que se dañe la batería y se aumente el riesgo de incendio.

Manténgase alerta, fíjese en lo que está haciendo y use el sentido común cuando utilice un soplador eléctrico. No utilice el soplador mientras esté cansado, enojado o bajo la influencia de drogas, alcohol o medicamentos. Es posible que un momento de desatención mientras esté utilizando sopladores cause lesiones corporales graves.

Evite el arranque accidental. Asegúrese de que el interruptor esté en la posición bloqueada o de apagado antes de insertar el paquete de batería. Transportar sopladores con el dedo en el interruptor o insertar el paquete de batería en un soplador con el interruptor en la posición de encendido invita a que se produzcan accidentes.

Utilice equipo de seguridad. Use siempre protección de los ojos. Se deben usar una máscara antipolvo, zapatos de seguridad antideslizantes, un casco o protección de la audición según lo requieran las condiciones.

Use siempre protección de los ojos con escudos laterales marcados para cumplir con la norma ANSI Z87.1 junto con protección de la audición cuando utilice este equipo.

Los anteojos de uso diario solo tienen lentes resistentes a los golpes. NO son anteojos de seguridad. Al seguir esta norma se reducirá el riesgo de lesiones en los ojos.

No utilice la herramienta en una escalera de mano, un tejado, un árbol u otro soporte inestable. Un apoyo estable de los pies sobre una superficie sólida permite un mejor control del soplador en situaciones inesperadas.

Tenga cuidado siempre con los pies, los niños o los animales domésticos alrededor de usted cuando retire el paquete de batería del soplador. **Podrían ocurrir lesiones graves si el paquete de batería se cae. No retire NUNCA el paquete de batería cuando esté en una posición elevada.**

No utilice el soplador si el interruptor no lo enciende o apaga. Un soplador que no se pueda controlar con el interruptor es peligroso y debe ser reparado.

Retire el paquete de batería del soplador antes de hacer cualquier ajuste, cambiar accesorios o almacenar el soplador. Dichas medidas preventivas de seguridad reducen el riesgo de arrancar accidentalmente el soplador.

Ponga todos los controles en la posición de apagado antes de retirar la batería.

NO intente despejar obstrucciones de la unidad sin retirar primero la batería.

Compruebe si hay desalineación o atoramiento de piezas móviles, rotura de piezas y cualquier otra situación que pueda afectar a la utilización del soplador. En caso de daño, haga que el soplador reciba servicio de ajustes y reparaciones antes de utilizarlo. Muchos accidente son causados por sopladores mal mantenidos.

Mantenga el soplador y su mango secos, limpios y libres de aceite y grasa. Utilice siempre un paño limpio cuando limpie. No utilice nunca líquidos de freno, gasolina, productos a base de petróleo o cualquier solvente fuerte para limpiar el soplador. Al seguir esta norma se reducirá el riesgo de pérdida de control y deterioro de la carcasa de plástico.

Protéjase los pulmones. Use una careta o una máscara antipolvo si la operación genera polvo. Al seguir esta norma se reducirá el riesgo de lesiones corporales graves.

Protéjase la audición. Use protección de la audición durante los períodos prolongados de utilización. Al seguir esta norma se reducirá el riesgo de lesiones corporales graves.

Use pantalones largos gruesos, mangas largas y botas. Evite las prendas o las joyas holgadas que podrían quedar engancharse en las piezas móviles de la máquina o su motor.

No utilice el equipo mientras esté descalzo o cuando esté usando sandalias o calzado ligero similar. Use calzado protector que le proteja los pies y mejore el apoyo de los pies en

superficies resbalosas.

Los sopladores operados por batería no tienen que ser enchufados en un tomacorriente; por lo tanto, siempre están en condiciones de funcionamiento. Esté atento a los posibles peligros cuando no esté utilizando su soplador operado por batería o cuando esté cambiando accesorios. Al seguir esta norma se reducirá el riesgo de descargas eléctricas, incendio o lesiones corporales graves.

No incinere el electrodoméstico incluso si está severamente dañado. Las baterías pueden explotar en un fuego.

Las baterías pueden explotar en presencia de una fuente de ignición, tal como una luz piloto. Para reducir el riesgo de lesiones corporales graves, no utilice nunca un producto inalámbrico en presencia de una llama al descubierto. Una batería que haya explotado puede propulsar residuos y sustancias químicas. En caso de exposición, se debe enjuagar de inmediato con agua.

Mantenga un apoyo de los pies y un equilibrio firmes. No intente alcanzar demasiado lejos. Si intenta alcanzar demasiado lejos, el resultado puede ser pérdida de equilibrio.

Compruebe el área de trabajo antes de cada uso. Retire todos los objetos, tales como rocas, vidrio roto, clavos, alambre o cordel, que puedan ser arrojados por la máquina o se puedan enganchar en la misma.

No apunte el tubo del soplador en la dirección de personas o animales domésticos.

No haga funcionar nunca la unidad sin tener instalado el equipo adecuado. Asegúrese siempre de que el tubo del soplador esté instalado.

Cuando no se esté utilizando, el soplador se deberá almacenar en un lugar interior seco y seguro, fuera del alcance de los niños.

Mantenga a todas las personas presentes, los niños y los animales domésticos a una distancia de 50 pies como mínimo.

No utilice nunca el soplador cerca de fuegos o cenizas calientes. El uso cerca de fuegos o cenizas puede extender los fuegos y causar lesiones graves y/o daños materiales.

No utilice nunca el soplador para esparcir productos químicos, fertilizantes o cualquier otra sustancia tóxica. Si se esparcen estas sustancias se podrían causar lesiones graves al operador o a las personas que estén presentes.

No ponga nunca el soplador en ninguna superficie, excepto en una superficie limpia y dura, cuando el motor esté en funcionamiento. La entrada de aire puede recoger grava, arena y otros residuos que el soplador lanzará hacia el operador o las personas que estén presentes, causando posibles lesiones graves.

 ADVERTENCIA Para garantizar la seguridad y la confiabilidad, todas las reparaciones deberán ser realizadas por un técnico de servicio calificado.

El servicio de ajustes y reparaciones del soplador debe ser realizado solamente por personal de reparaciones calificado. Es posible que el servicio de ajustes y reparaciones o mantenimiento realizado por personal no calificado cause un riesgo de lesiones.

Cuando haga servicio de ajustes y reparaciones de un soplador, utilice únicamente piezas de repuesto idénticas. Sigas las instrucciones de la sección Mantenimiento de este manual. Es posible que el uso de piezas no autorizadas o el no seguir las Instrucciones de mantenimiento cree un riesgo de descargas eléctricas o lesiones.

No exponga un paquete de batería ni una herramienta a un fuego o a una temperatura excesiva. Es posible que la exposición a un fuego o a una temperatura superior a 212 °F (100 °C) cause una explosión.

Guarde estas instrucciones. Consúltelas frecuentemente y utilícelas para instruir a otras personas que puedan utilizar esta herramienta. Si le presta esta herramienta a otra persona, préstele también estas instrucciones para prevenir un uso incorrecto del producto y posibles lesiones.





¡GUARDE ESTAS INSTRUCCIONES!

SÍMBOLOS

Símbolos de seguridad

El objetivo de los símbolos de seguridad es captar su atención ante posibles peligros. Los símbolos de seguridad y las explicaciones que se dan merecen su atención y comprensión cuidadosa. Las advertencias del símbolo no eliminan por sí mismas ningún peligro. Las instrucciones y las advertencias que se dan no son sustitutos de las medidas adecuadas de prevención de accidentes.

⚠ ADVERTENCIA Asegúrese de leer y de comprender todas las instrucciones de seguridad en este manual del propietario, incluidos todos los símbolos de alerta de seguridad como “**PELIGRO**”, “**ADVERTENCIA**” y “**PRECAUCIÓN**” antes de usar esta herramienta. El incumplimiento de las siguientes instrucciones puede provocar descargas eléctricas, incendios y/o lesiones personales graves.

Las definiciones que se ofrecen a continuación describen el nivel de gravedad de cada símbolo. Lea el manual y preste atención a dichos símbolos.	
	Este es el símbolo de advertencia de seguridad. Se utiliza para advertirlo de los peligros de posibles lesiones personales. Cumpla con todos los mensajes de seguridad a continuación de este símbolo para evitar posibles lesiones o consecuencias fatales.
	PELIGRO indica una situación de peligro que, de no evitarse, ocasionará la muerte o lesiones graves.
	ADVERTENCIA indica una situación potencialmente peligrosa que, de no evitarse, puede ocasionar la muerte o lesiones graves.
	PRECAUCIÓN, se usa con el símbolo de advertencia de seguridad e indica una situación peligrosa que, de no evitarse, puede causar lesiones menores o moderadas.

Mensajes de prevención de daños e información

Estos mensajes informan al usuario sobre informaciones y/o instrucciones importantes que, de no seguirse, pueden causar daños al equipo o la propiedad. Antes de cada mensaje, aparece la palabra “AVISO”, como en el ejemplo a continuación:




AVISO: Si no se siguen estas instrucciones se pueden producir daños al equipo o la propiedad.



⚠ ADVERTENCIA Durante el funcionamiento de cualquier herramienta eléctrica, pueden entrar objetos extraños a los ojos y causar graves daños oculares. Use siempre lentes o gafas de seguridad con protecciones laterales y, cuando sea necesario, un protector facial que cubra todo el rostro antes de comenzar a operar una herramienta eléctrica. Recomendamos usar una máscara de seguridad de visión amplia sobre los lentes o las gafas de seguridad estándar con protección lateral. Siempre use lentes de protección que cumplan con la norma ANSI Z87.1.

SÍMBOLOS (CONTINUACIÓN)

IMPORTANTE: algunos de los siguientes símbolos pueden aparecer en sus herramientas. Obsérvelos y conozca su significado. La interpretación correcta de estos símbolos le permitirá utilizar la herramienta de manera eficaz y segura.

Símbolo	Nombre	Designación/Explicación
V	Voltios	Voltaje (potencial)
A	Amperios	Corriente
Hz	Hertz	Frecuencia (ciclos por segundo)
W	Vatios	Alimentación
kg	Kilogramos	Peso
min	Minutos	Hora
s	Segundos	Hora
Wh	Vatio por horas	Capacidad de la batería
Ah	Amperios por hora	Capacidad de la batería
∅	Diámetro	Tamaño de las brocas para taladro, piedras de amolar, etc.
n_0	Velocidad sin carga	Velocidad de rotación sin carga
n	Rango de velocidad	Velocidad máxima alcanzable
.../min	Revoluciones o pasadas por minuto	Revoluciones, pasadas, velocidad de superficie, órbitas, etc. por minuto
IPX4	Grado de protección contra la penetración	Protección contra las salpicaduras de agua
CFM	Pies cúbicos por minuto	Volumen de aire
MPH	Millas por hora	Velocidad del aire
➔	Flecha	Acción en la dirección de la flecha
~	Corriente alterna	Tipo o característica de corriente
—	Corriente directa	Tipo o característica de corriente
	Sello de iones de litio de RBRC	Designa el programa de reciclaje de baterías de iones de litio
	Símbolo de lectura del manual	Indica al usuario que lea el manual
	Símbolo de use de lentes de protección	Siempre use gafas o lentes de seguridad con protecciones laterales y una careta protectora cuando opere este producto

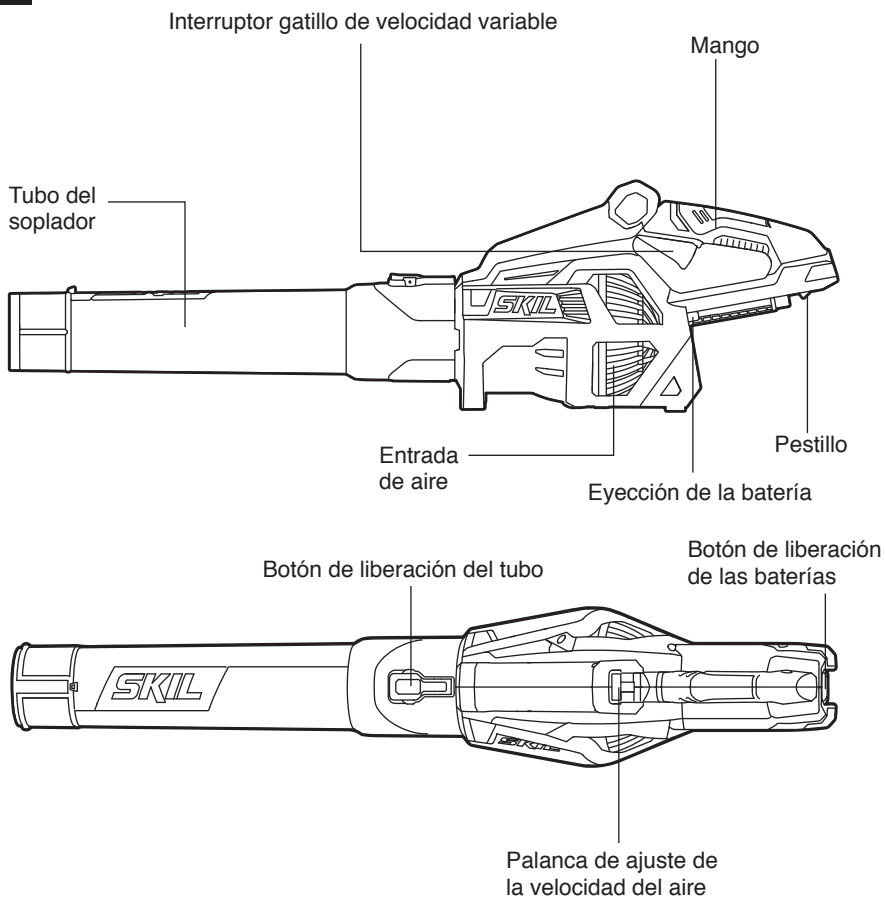
SÍMBOLOS (INFORMACIÓN DE CERTIFICACIÓN)

IMPORTANTE: algunos de los siguientes símbolos de información de certificación pueden aparecer en sus herramientas. Obsérvelos y conozca su significado. La interpretación correcta de estos símbolos le permitirá utilizar la herramienta de manera eficaz y segura.

Símbolo	Designación/Explicación
	Este símbolo designa que esta herramienta está incluida en la lista de Underwriters Laboratories.
	Este símbolo designa que esta componente es reconocida por Underwriters Laboratories.
	Este símbolo designa que esta herramienta está incluida en la lista de Underwriters Laboratories, conforme a las normas de Estados Unidos y Canadá.
	Este símbolo designa que esta herramienta está incluida en la lista de Canadian Standards Association.
	Este símbolo designa que esta herramienta está incluida en la lista de Canadian Standards Association, conforme a las normas de Estados Unidos y Canadá.
	Este símbolo designa que esta herramienta está incluida en la lista de Intertek Testing Services, conforme a las normas de Estados Unidos y Canadá.
	Este símbolo designa que esta herramienta cumple con las normas NOM de México.

FAMILIARÍCESE CON SU SOPLADOR DE HOJAS

Fig. 1



ESPECIFICACIONES

Rango de voltaje	40V CC.
Volumen de aire	Máx. 530 PCM
Velocidad del aire	Máx. 130 MPH
Temperatura de trabajo recomendada	5~104 °F (-15~40 °C)
Temperatura de almacenaje recomendada	32~104 °F (0~40 °C)

Interruptor gatillo de velocidad variable

Arranca o para el soplador y produce una velocidad más alta al aumentar la presión sobre el gatillo y una velocidad más baja al reducir la presión sobre el mismo.

Palanca de ajuste de la velocidad del aire

Ajusta y mantiene la velocidad del aire del soplador según se necesite. Aumenta la velocidad del aire hasta el máximo al jalar la palanca hasta la posición máxima.

Botón de liberación de la batería

Presione el botón para liberar el paquete de batería de la herramienta.

Pestillo

Fija el paquete de batería en la posición correcta al instalarlo en la herramienta.

Eyección de la batería

Ayuda a retirar la batería.

INSTRUCCIONES DE FUNCIONAMIENTO

⚠ ADVERTENCIA Para reducir el riesgo de incendios, lesiones personales y daños al producto por un cortocircuito, nunca sumerja ni permita que ingresen líquidos en la herramienta, el paquete de baterías o el cargador. Los líquidos corrosivos o conductores, como el agua de mar, algunos productos químicos industriales y el blanqueador o los productos que contienen blanqueador, pueden generar un cortocircuito.

⚠ ADVERTENCIA Si hay piezas dañadas o faltantes, no utilice el producto hasta que las haya reemplazado. El uso de este producto con piezas dañadas o faltantes podría causar lesiones personales graves.

⚠ ADVERTENCIA No intente modificar esta herramienta ni crear accesorios que no sean los recomendados para esta. Cualquier alteración o modificación se considera un uso indebido y puede provocar una condición de peligro que, a su vez, puede ocasionar lesiones graves.

⚠ ADVERTENCIA No utilice aditamentos ni accesorios no recomendados por el fabricante de este producto. El uso de aditamentos o accesorios no recomendados puede causar lesiones corporales graves.

⚠ ADVERTENCIA No deje que la familiaridad con este producto le haga descuidarse. Recuerde que una fracción de segundo de descuido es suficiente para causar lesiones graves.

⚠ ADVERTENCIA Use siempre protección de los ojos con escudos laterales marcados para cumplir con la norma ANSI Z87.1, junto con protección de la audición. Si no se hace esto, el resultado podría ser que se arrojen objetos hacia los ojos del operador y otras posibles lesiones graves.

⚠ ADVERTENCIA Para prevenir un arranque accidental que podría causar lesiones corporales graves, retire siempre el paquete de batería de la herramienta cuando esté ensamblando piezas, haciendo ajustes, realizando limpieza o cuando no se esté utilizando.

Antes de cada uso, inspeccione todo el producto para determinar si hay piezas dañadas, faltantes o flojas, tales como tornillos, tuercas, pernos, tapas, etc. Apriete firmemente todos los sujetadores y todas las tapas, y no utilice este producto hasta que todas las piezas faltantes o dañadas hayan sido reemplazadas.

Aplicación

Usted puede usar este producto para los propósitos que se indican a continuación:

- Despejar superficies duras, tales como entradas de garaje y pasaje peatonales
- Mantener las terrazas y las entradas de garaje libres de hojas y agujas de pino

Para ensamblar el tubo del soplador

⚠ ADVERTENCIA Para prevenir un arranque accidental que podría causar lesiones corporales graves, retire siempre el paquete de batería de la herramienta cuando esté ensamblando piezas.

- Alinee la ranura del tubo con la perilla de la carcasa del soplador. Empuje el tubo sobre la carcasa del soplador hasta que el pestillo se acople a presión en la posición correcta (Fig. 2).
- Para retirar el tubo, presione y mantenga presionado el botón del liberación del tubo para desacoplar el pestillo y luego jale el tubo directamente para retirarlo del soplador (Fig. 3).

Fig. 2a

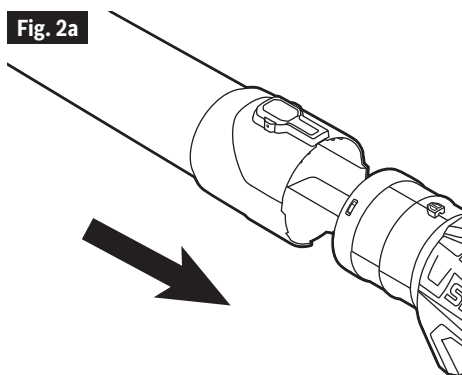


Fig. 2b

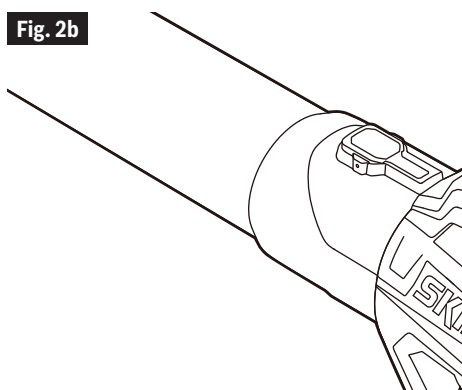
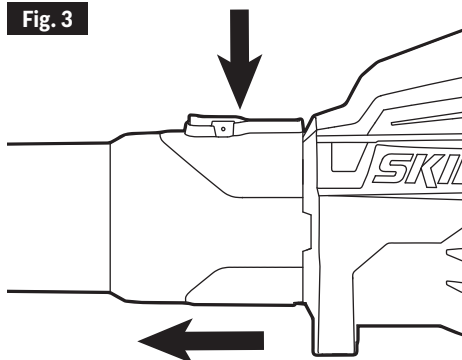


Fig. 3



Inserción /extracción del paquete de baterías

⚠ ADVERTENCIA Las herramientas a batería están siempre en condiciones de funcionamiento. Por lo tanto, retire la batería cuando esté ensamblando piezas, haciendo ajustes, realizando limpieza, cuando la herramienta no se esté utilizando o cuando la esté transportando a su lado. Al retirar el paquete de batería se prevendrá un arranque accidental que podría causar lesiones corporales graves.

Inserción del paquete de baterías (Fig. 4)

- Alinee las costillas del paquete de batería con las ranuras de montaje ubicadas en el puerto de batería del soplador.
- Presione el paquete de batería hacia el cuerpo del soplador hasta que se acople a presión en la posición correcta.

AVISO: Asegúrese de que el pestillo del soplador se acople a presión en la posición correcta y que el paquete de batería esté fijo en la herramienta antes de empezar a utilizar la unidad.

Para retirar el paquete de baterías:

⚠ ADVERTENCIA Tenga siempre presente la ubicación de los pies, los niños o los animales domésticos cuando presione el botón de liberación de la batería. Podrían ocurrir lesiones graves si el paquete de batería se cae.

No retire NUNCA el paquete de batería en una ubicación alta.

- Presione el botón de liberación de la batería para hacer que el paquete de batería se desacople del pestillo y el mecanismo de eyección ayudará con su retirada.
- Agarre el paquete de batería y retírelo del soplador.

Fig. 4

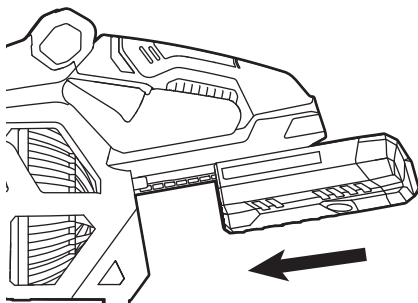
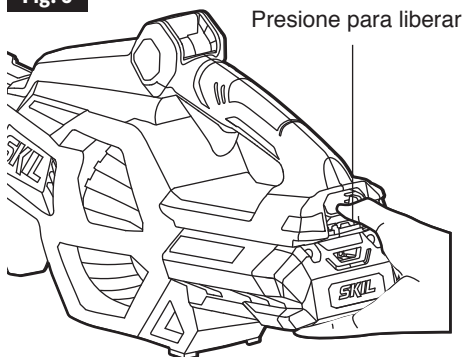


Fig. 5



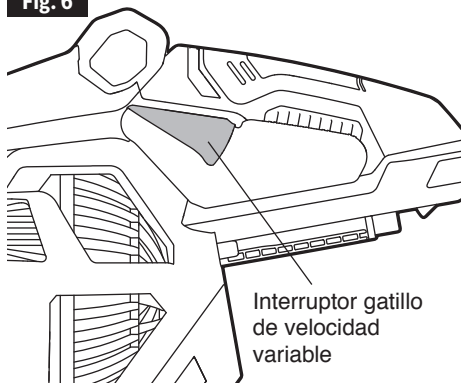
Para arrancar/parar el soplador

El soplador se puede arrancar o parar de dos maneras, al igual que el ajuste de la velocidad del aire.

Con el interruptor gatillo de velocidad variable (Fig. 6)

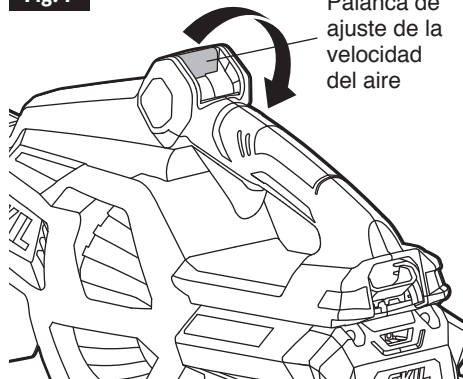
- Presione el interruptor gatillo de velocidad variable para encender el soplador.
- La velocidad del aire del soplador se controla con el interruptor gatillo de velocidad variable. Más presión en el gatillo produce velocidades de soplado más altas; menos presión en el gatillo produce velocidades de soplado más bajas. Ajuste la velocidad para que se adapte a la tarea que se vaya a realizar.
- Suelte el interruptor gatillo de velocidad variable para apagar el soplador.

Fig. 6



Con la palanca de ajuste de la velocidad del aire (Fig. 7):

Fig. 7



- Jale hacia abajo la palanca de ajuste de la velocidad del aire para encender el soplador.
- A medida que la palanca de ajuste de la velocidad del aire es jalada hacia abajo, el interruptor gatillo de velocidad variable se presiona sincronamente hacia dentro sin operación manual, y la velocidad del aire se aumenta simultáneamente.
- La palanca de ajuste de la velocidad del aire permanecerá en la posición en la que usted la libere. La velocidad del aire se mantiene tal como usted la ajuste.
- El soplador solo puede alcanzar la máxima velocidad del aire jalando la palanca hasta la posición limitada.
- Empuje la palanca de ajuste de la velocidad del aire completamente hacia arriba para apagar el soplador.

AVISO: La palanca de ajuste de la velocidad del aire se debe empujar siempre completamente hacia arriba antes de apagar el soplador.

⚠ ADVERTENCIA Retire siempre el paquete de batería del soplador durante las pausas de descanso del trabajo y después de acabar el trabajo.

Para utilizar el soplador

- Para evitar esparcir los residuos, sople alrededor de los bordes exteriores de un montón de residuos. No sople nunca directamente en el centro de un montón de residuos.
- Para reducir los niveles sonoros, limite el número de unidades de equipo que se utilizan en cualquier momento.
- Utilice rastrillos y escobas para aflojar los residuos antes de soplar. En condiciones que generen polvo, humedezca ligeramente las superficies si hay agua disponible.
- Conserve agua utilizando sopladores eléctricos en lugar de mangueras para muchas aplicaciones de césped y jardín, incluyendo áreas tales como canaletas, pantallas, parrillas, porches y jardines.
- Esté atento a la presencia de niños, animales domésticos, ventanas abiertas o automóviles recién lavados, y sople los residuos alejándolos de manera segura.
- Después de utilizar sopladores u otros equipos, ¡límpielos! Deseche adecuadamente los residuos.

MANTENIMIENTO

⚠ ADVERTENCIA Al realizar mantenimiento, utilice solo piezas de repuesto idénticas a las de fabricación. El uso de cualquier otra pieza puede crear un peligro o causar daños en el producto.

Inspeccione el producto de manera periódica para verificar que no hayan piezas dañadas, faltantes o flojas, tales como tornillos, tuercas, pernos, tapas, etc. Ajuste bien todos los sujetadores y las tapas y no use el producto hasta que se reemplacen las piezas faltantes o dañadas. Si necesita más ayuda, póngase en contacto con el Servicio al Cliente o centro de servicio autorizado.

Limpieza

⚠️ ADVERTENCIA

Para evitar lesiones personales graves, siempre retire el paquete de baterías de la herramienta cuando la vaya a limpiar o a realizarle cualquier tarea de mantenimiento.

- Evite utilizar solventes cuando limpie piezas de plástico. La mayoría de los plásticos son susceptibles de sufrir daños causados por diversos tipos de solventes comerciales y es posible que resulten dañados por su uso.
- Limpie la superficie con un paño seco para eliminar la suciedad, el polvo, el aceite, la grasa, etc.

⚠️ ADVERTENCIA

No deje en ningún momento que líquidos de freno, gasolina, productos a base de petróleo, aceites penetrantes, etc., entren en contacto con piezas de plástico. Las sustancias químicas pueden dañar, debilitar o destruir el plástico, lo cual es posible que cause lesiones corporales graves.

Almacenamiento

- Elimine todos los materiales extraños de las entradas de aire del soplador.
- Almacene la unidad en un lugar interior que sea inaccesible para los niños. Mantenga la unidad alejada de los agentes corrosivos, tales como sustancias químicas de jardín y sales anticongelantes.

Reparación

⚠️ ADVERTENCIA

El mantenimiento preventivo realizado por personal no autorizado puede derivar en la mala colocación de los cables y componentes internos, lo que podría crear un riesgo grave. Recomendamos que toda reparación de la herramienta la realice un centro de servicio de la fábrica SKIL o una estación de servicio autorizada de SKIL.

SOLUCIÓN DE PROBLEMAS

Problem	Causa	Remedio
El soplador no funciona.	<ol style="list-style-type: none">1. El paquete de batería no está instalado en el soplador.2. No hay contacto eléctrico entre el soplador y la batería.3. El paquete de batería está agotado.4. El paquete de batería o el soplador están demasiado calientes.	<ol style="list-style-type: none">1. Instale el paquete de batería en el soplador.2. Retire la batería, compruebe los contactos y reinstale el paquete de batería.3. Cargue el paquete de batería.4. Apague el soplador y retire el paquete de batería del mismo. Deje que la batería o el soplador se enfríen hasta temperatura ambiente.
La velocidad del aire disminuye de manera obvia.	<ol style="list-style-type: none">1. Desgaste excesivo del ventilador del motor.2. La entrada de aire está bloqueada por residuos.	<ol style="list-style-type: none">1. Haga que la herramienta reciba servicio de ajustes y reparaciones por un Centro de Servicio SKIL autorizado o una Estación de Servicio SKIL autorizada.2. Retire el paquete de batería y elimine los residuos.

GARANTÍA LIMITADA PARA HERRAMIENTA SKIL

5 AÑO DE GARANTÍA LIMITADA

Chervon North America, Inc. ("Vendedor") garantiza únicamente al comprador original que ninguna HERRAMIENTA SKIL del consumidor presentará defectos en los materiales ni la mano de obra durante un período de cinco años a partir de la fecha de compra si el comprador original registra el producto dentro de los 30 días de realizada la compra. Las BATERÍAS y los CARGADORES tienen una garantía de 2 años. El registro del producto se puede completar en línea en www.Registermyskil.com. Los compradores originales también deben conservar el recibo como comprobante de compra. EL PERÍODO DE GARANTÍA DE CINCO AÑOS PARA HERRAMIENTAS ESTÁ CONDICIONADA POR EL REGISTRO DEL PRODUCTO DENTRO DE LOS 30 DÍAS DE REALIZADA LA COMPRA. Si los compradores originales no registran el producto de manera oportuna, se aplicará la garantía limitada anterior durante tres años para las herramientas eléctricas. Todas las baterías y los cargadores permanecerán bajo la garantía limitada de dos años.

No obstante lo señalado anteriormente, si se usa una herramienta SKIL del consumidor para fines industriales, profesionales o comerciales, se aplicará la garantía anterior durante noventa días, sin considerar el registro.

LA ÚNICA OBLIGACIÓN DEL VENDEDOR Y SU ÚNICA SOLUCIÓN en virtud de esta garantía limitada y, en la medida en que lo permita la ley, cualquier garantía o condición implícita por la ley, será la reparación o el reemplazo, sin cargo, de las piezas que presentan defectos en el material o la mano de obra y que no se hayan usado de manera incorrecta, que no se hayan manejado sin la debida atención o que las hayan reparado personas que no sean el Vendedor o una estación de servicio autorizada. Para exponer un reclamo en virtud de esta garantía limitada, debe devolver el producto completo, con el transporte prepagado, a cualquier centro de servicio de la fábrica SKIL o a cualquier estación de servicio autorizada. Para comunicarse con las estaciones de servicio autorizadas de Skil para reparar su herramienta eléctrica, visite www.Registermyskil.com o llame al 1-877-SKIL-999 (1-877-754-5999).

ESTA GARANTÍA NO CUBRE LAS PIEZAS Y LOS CONSUMIBLES DE MANTENIMIENTO DE RUTINA QUE SE PUEDEN DESGASTAR COMO RESULTADO DEL USO NORMAL DENTRO DEL PERÍODO DE GARANTÍA, LO CUAL INCLUYE HOJAS, CABEZALES DE ORILLADORA, ESPADAS DE MOTOSIERRA, CADENAS DE SIERRA, CORREAS, BARRAS RASCADORAS Y BOQUILLAS DE SOPLADOR.

TODA GARANTÍA IMPLÍCITA APLICABLE A UN PRODUCTO DEBE ESTAR LIMITADA A LA MISMA DURACIÓN QUE LA DURACIÓN DE LAS GARANTÍAS EXPRESAS APLICABLES A DICHO PRODUCTO, SEGÚN SE ESTABLECIÓ EN EL PRIMER PÁRRAFO. ALGUNOS ESTADOS EN ESTADOS UNIDOS Y ALGUNAS PROVINCIAS EN CANADÁ NO PERMITEN LIMITACIONES SOBRE EL TIEMPO DE DURACIÓN DE UNA GARANTÍA IMPLÍCITA, DE MODO QUE LA LIMITACIÓN ANTES DESCRITA PUEDE QUE NO SE APLIQUE A USTED.

ESTA GARANTÍA NO CUBRE LOS DAÑOS RESULTANTES DE UNA MODIFICACIÓN, UNA ALTERACIÓN O UNA REPARACIÓN NO AUTORIZADA.

BAJO NINGUNA CIRCUNSTANCIA, EL VENDEDOR SERÁ RESPONSABLE DE DAÑOS ACCIDENTALES O RESULTANTES (INCLUIDA ENTRE OTRAS, LA RESPONSABILIDAD POR PÉRDIDA DE GANANCIAS) QUE SE ORIGINEN DE LA VENTA O EL USO DE ESTE PRODUCTO. ALGUNOS ESTADOS EN ESTADOS UNIDOS Y ALGUNAS PROVINCIAS EN CANADÁ NO PERMITEN LA EXCLUSIÓN O LIMITACIÓN DE DAÑOS ACCIDENTALES O RESULTANTES, DE MODO QUE LA LIMITACIÓN O EXCLUSIÓN ANTERIOR PUEDE QUE NO SE APLIQUE A USTED.

ESTA GARANTÍA LIMITADA LE OTORGA DERECHOS LEGALES ESPECÍFICOS, Y ES POSIBLE QUE TAMBIÉN TENGA OTROS DERECHOS QUE VARIAN DE UN ESTADO A OTRO EN ESTADOS UNIDOS, DE UNA PROVINCIA A OTRA EN CANADÁ Y DE UN PAÍS A OTRO.

ESTA GARANTÍA LIMITADA SE APLICA SOLAMENTE A PRODUCTOS VENDIDOS EN ESTADOS UNIDOS DE AMÉRICA, CANADÁ Y EL COMMONWEALTH DE PUERTO RICO. PARA TENER UNA COBERTURA DE GARANTÍA EN OTROS PAÍSES, PÓNGASE EN CONTACTO CON SU DISTRIBUIDOR O IMPORTADOR DE SKIL.

© Chervon North America, 1203 E. Warrenville Rd, Naperville, IL 60563.

07/22

