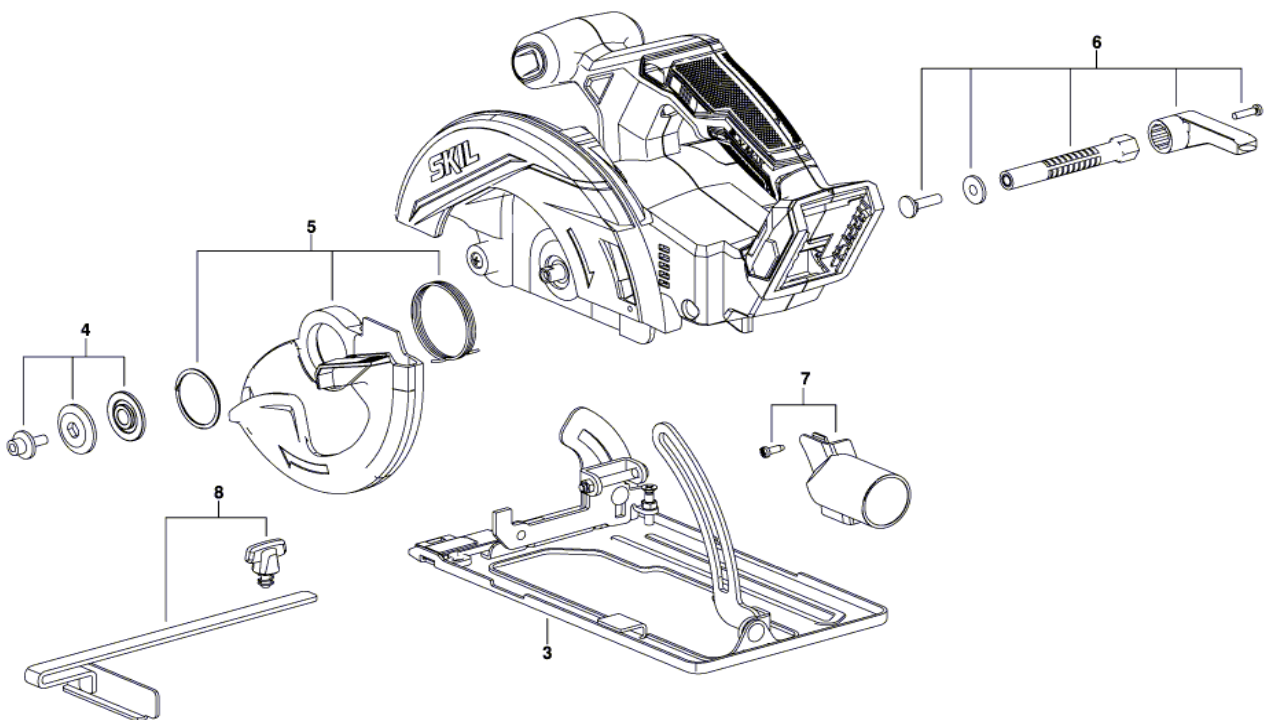




Product Description: Circular Saw
Model Number: CR540601
Body Number: 0740027002
Version: B
Issue Date: 2020/05/25



No.	Product Model#	Part Number	Description	Qty
3	CR540601	2826549001	Base Plate Set	1
4	CR540601	2826553001	Flange Set	1
5	CR540601	2826552001	Lower Guard ASSY	1
6	CR540601	2826583001	Depth Adjusting Set	1
7	CR540601	2826584001	Vacuum Adapter Set	1
8	CR540601	2826582001	Fence Assembly	1