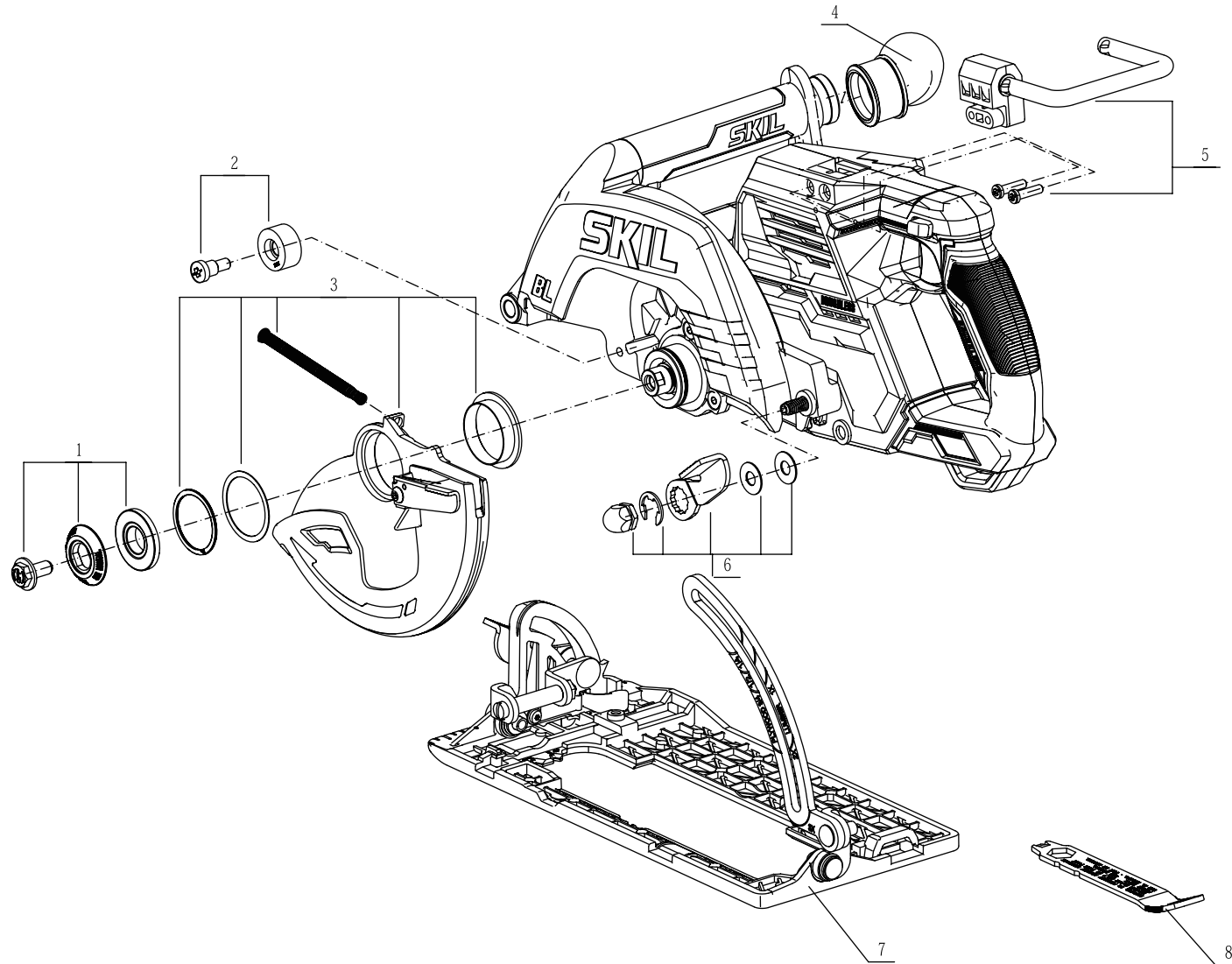




Product Description: Circular saw  
Model Number: CR5429B-00  
Body Number: 0740045001  
Version: A  
Issue Date: 2021/06/22



No.	Product Model#	Part Number	Description	Qty
1	CR5429B-00	2828708001	Flange Assembly	1
2	CR5429B-00	2824203001	Stopper Assembly	1
3	CR5429B-00	2828725001	Lower Guard Assembly	1
4	CR5429B-00	3132436001	Dust Tube	1
5	CR5429B-00	2824191001	Hook Set	1
6	CR5429B-00	2828723001	Height Adjusting Assembly	1
7	CR5429B-00	2828722001	Base Plate Assembly	1
8	CR5429B-00	5680232001	Wrench	1