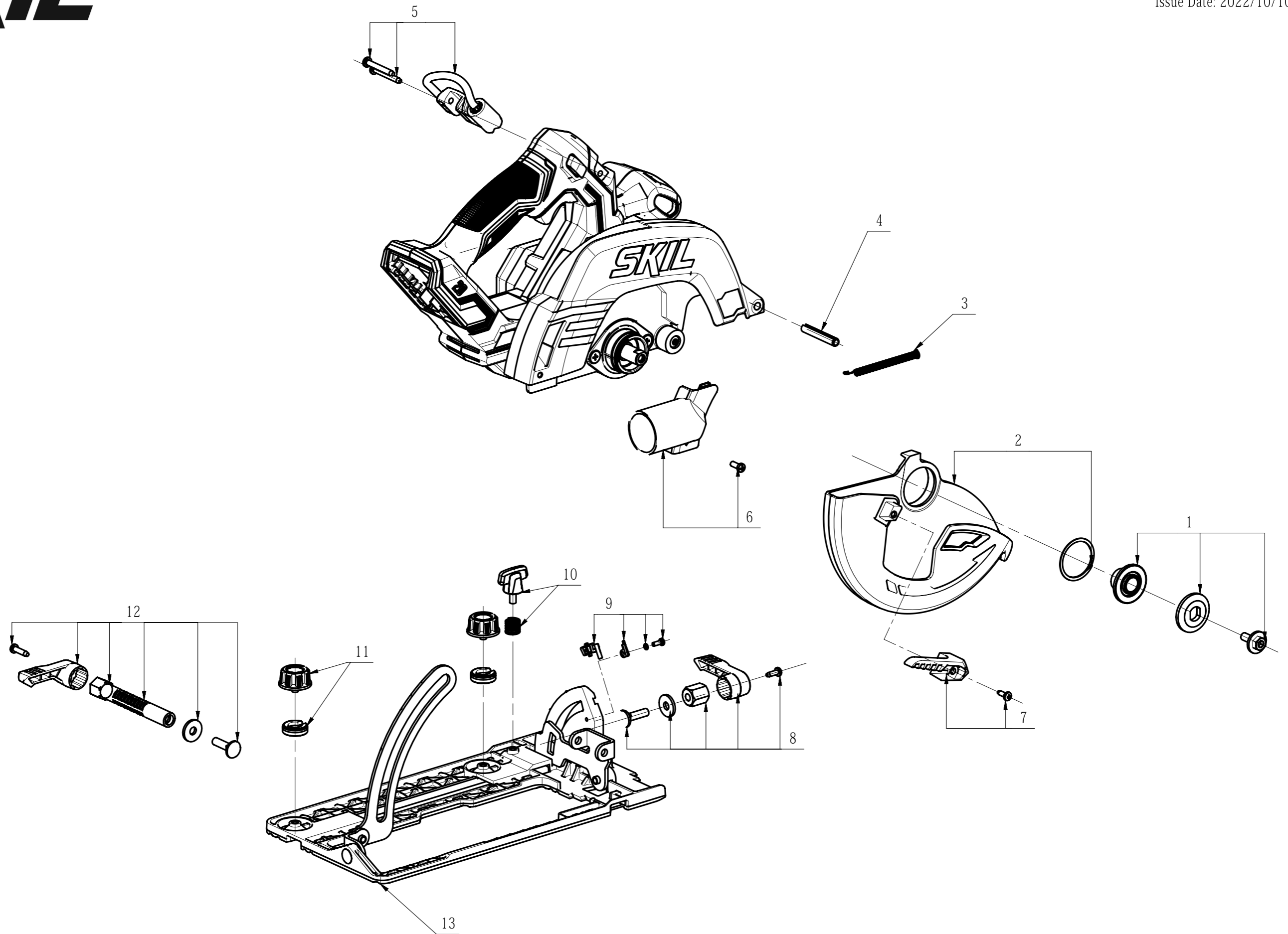


# SKIL®

Product Description: Circular Saw  
Model Number: CR5440B-00  
Service Item Number: F410178001S02  
Version: A  
Issue Date: 2022/10/10



| No. | Product Model# | Part Number | Description              | Qty |
|-----|----------------|-------------|--------------------------|-----|
| 1   | CR5440B-00     | 2829708001  | Flange Set               | 1   |
| 2   | CR5440B-00     | 2829721001  | Lower Guard Set          | 1   |
| 3   | CR5440B-00     | 3660371002  | Spring                   | 1   |
| 4   | CR5440B-00     | 5670008002  | Spring Pin               | 1   |
| 5   | CR5440B-00     | 2829713001  | Pothead Assembly         | 1   |
| 6   | CR5440B-00     | 2826890001  | Vacuum Adapter Set       | 1   |
| 7   | CR5440B-00     | 2829722001  | Handle Assembly          | 1   |
| 8   | CR5440B-00     | 2829718001  | Adjusting Lever Assembly | 1   |
| 9   | CR5440B-00     | 2829725001  | Locating Block Assembly  | 1   |
| 10  | CR5440B-00     | 2829727001  | Knob Set                 | 1   |
| 11  | CR5440B-00     | 2829729001  | Knob Set                 | 2   |
| 12  | CR5440B-00     | 2829719001  | Depth Adjusting Set      | 1   |
| 13  | CR5440B-00     | 2829036001  | Base Plate Set           | 1   |