

# SKIL®

Owner's Manual  
Guide d'utilisation  
Manual del propietario



Model/ Modelo/ Modèle: DL529001

## PWRCORE 12™

### 12V Brushless Drill/Driver

### Perceuse/Visseuse Sans Balai de 12 V

### Taladro/Destornillador Sin Escobillas de 12 V

**▲ WARNING:** To reduce the risk of injury, the user must read and understand the Owner's Manual before using this product. Save these instructions for future reference.

**▲ AVERTISSEMENT :** Afin de réduire les risques de blessure, l'utilisateur doit lire et comprendre le guide d'utilisation avant d'utiliser cet article. Conservez le présent guide afin de pouvoir le consulter ultérieurement.

**▲ ADVERTENCIA :** Para reducir el riesgo de lesiones, el usuario debe leer y comprender el Manual del operador antes de utilizar este producto. Guarde estas instrucciones para consultarlas en caso sea necesario.



For Customer Service  
Pour le service à la clientèle  
Servicio al cliente

**1-877-SKIL-999 OR [www.skil.com](http://www.skil.com)**

# TABLE OF CONTENTS

General Power Tool Safety Warnings .....	3-5
Safety Warnings for Drill.....	5
Symbols .....	6-9
Get to Know Your Drill/Driver.....	10
Specifications .....	10
Operating Instructions .....	11-17
Maintenance.....	18
Troubleshooting .....	18
Limited Warranty of SKIL Cordless Tool.....	19

## **WARNING**

- Some dust created by power sanding, sawing, grinding, drilling and other construction activities contains chemicals known to the State of California to cause cancer, birth defects or other reproductive harm. Some examples of these chemicals are:
  - Lead from lead-based paints.
  - Crystalline silica from bricks, cement, and other masonry products.
  - Arsenic and chromium from chemically-treated lumber.
- Your risk from these exposures varies, depending upon how often you do this type of work. To reduce your exposure to these chemicals:
  - Work in a well-ventilated area.
  - Work with approved safety equipment, such as dust masks that are specially designed to filter out microscopic particles.
  - Avoid prolonged contact with dust from power sanding, sawing, grinding, drilling, and other construction activities. Wear protective clothing and wash exposed areas with soap and water. Allowing dust to get into your mouth or eyes or to lie on the skin may promote absorption of harmful chemicals.

# GENERAL POWER TOOL SAFETY WARNINGS



**Read all safety warnings, instructions, illustrations and specifications provided with this power tool.** Failure to follow all instructions listed below may result in electric shock, fire and/or serious injury.

## SAVE ALL WARNINGS AND INSTRUCTIONS FOR FUTURE REFERENCE.

The term “power tool” in the warnings refers to your mains-operated (corded) power tool or battery-operated (cordless) power tool.

### Work area safety

**Keep work area clean and well lit.** Cluttered or dark areas invite accidents.

**Do not operate power tools in explosive atmospheres, such as in the presence of flammable liquids, gases or dust.** Power tools create sparks which may ignite the dust or fumes.

**Keep children and bystanders away while operating a power tool.** Distractions can cause you to lose control.

### Electrical safety

**Power tool plugs must match the outlet. Never modify the plug in any way. Do not use any adapter plugs with earthed (grounded) power tools.** Unmodified plugs and matching outlets will reduce risk of electric shock.

**Avoid body contact with earthed or grounded surfaces, such as pipes, radiators, ranges and refrigerators.** There is an increased risk of electric shock if your body is earthed or grounded.

**Do not expose power tools to rain or wet conditions.** Water entering a power tool will increase the risk of electric shock.

**Do not abuse the cord. Never use the cord for carrying, pulling or unplugging the power tool. Keep cord away from heat, oil, sharp edges or moving parts.** Damaged or entangled cords increase the risk of electric shock.

**When operating a power tool outdoors, use an extension cord suitable for outdoor use.** Use of a cord suitable for outdoor use reduces the risk of electric shock.

**If operating a power tool in a damp location is unavoidable, use a ground fault circuit interrupter (GFCI) protected supply.** Use of a GFCI reduces the risk of electric shock.

### Personal safety

**Stay alert, watch what you are doing and use common sense when operating a power tool. Do not use a power tool while you are tired or under the influence of drugs, alcohol or medication.** A moment of inattention while operating power tools may result in serious personal injury.

**Use personal protective equipment. Always wear eye protection.** Protective equipment such as a dust mask, non-skid safety shoes, hard hat or hearing protection used for appropriate conditions will reduce personal injuries.

**Prevent unintentional starting. Ensure the switch is in the off-position before connecting to power source and/or battery pack, picking up or carrying the tool.** Carrying power tools with your finger on the switch or energising power tools that have the switch on invites accidents.

**Remove any adjusting key or wrench before turning the power tool on.** A wrench or a key left attached to a rotating part of the power tool may result in personal injury.

**Do not overreach. Keep proper footing and balance at all times.** This enables better control of the power tool in unexpected situations.

**Dress properly. Do not wear loose clothing or jewellery. Keep your hair, clothing and gloves away from moving parts.** Loose clothes, jewellery or long hair can be caught in moving parts.

**If devices are provided for the connection of dust extraction and collection facilities, ensure these are connected and properly used.** Use of dust collection can reduce dust-related hazards.

**Do not let familiarity gained from frequent use of tools allow you to become complacent and ignore tool safety principles.** A careless action can cause severe injury within a fraction of a second.

## **Power tool use and care**

**Do not force the power tool. Use the correct power tool for your application.** The correct power tool will do the job better and safer at the rate for which it was designed.

**Do not use the power tool if the switch does not turn it on and off.** Any power tool that cannot be controlled with the switch is dangerous and must be repaired.

**Disconnect the plug from the power source and/or remove the battery pack, if detachable, from the power tool before making any adjustments, changing accessories, or storing power tools.** Such preventive safety measures reduce the risk of starting the power tool accidentally.

**Store idle power tools out of the reach of children and do not allow persons unfamiliar with the power tool or these instructions to operate the power tool.** Power tools are dangerous in the hands of untrained users.

**Maintain power tools and accessories. Check for misalignment or binding of moving parts, breakage of parts and any other condition that may affect the power tool's operation. If damaged, have the power tool repaired before use.** Many accidents are caused by poorly maintained power tools.

**Keep cutting tools sharp and clean.** Properly maintained cutting tools with sharp cutting edges are less likely to bind and are easier to control.

**Use the power tool, accessories and tool bits etc. in accordance with these instructions, taking into account the working conditions and the work to be performed.** Use of the power tool for operations different from those intended could result in a hazardous situation.

**Keep handles and grasping surfaces dry, clean and free from oil and grease.**

Slippery handles and grasping surfaces do not allow for safe handling and control of the tool in unexpected situations.

## **Battery tool use and care**

**Recharge only with the charger specified by the manufacturer.** A charger that is suitable for one type of battery pack may create a risk of fire when used with another battery pack.

**Use power tools only with specifically designated battery packs.** Use of any other battery packs may create a risk of injury and fire.

**When battery pack is not in use, keep it away from other metal objects, like paper clips, coins, keys, nails, screws or other small metal objects, that can make a connection from one terminal to another.** Shorting the battery terminals together may cause burns or a fire.

**Under abusive conditions, liquid may be ejected from the battery; avoid contact. If contact accidentally occurs, flush with water. If liquid contacts eyes, additionally seek medical help.** Liquid ejected from the battery may cause irritation or burns.

**Do not use a battery pack or tool that is damaged or modified.** Damaged or modified batteries may exhibit unpredictable behaviour resulting in fire, explosion or risk of injury.

**Do not expose a battery pack or tool to fire or excessive temperature.** Exposure to fire or temperature above 265 °F may cause explosion.

**Follow all charging instructions and do not charge the battery pack or tool outside the temperature range specified in the instructions.** Charging improperly or at temperatures outside the specified range may damage the battery and increase the risk of fire.

## **Service**

**Have your power tool serviced by a qualified repair person using only identical replacement parts.** This will ensure that the safety of the power tool is maintained.

**Never service damaged battery packs.** Service of battery packs should only be performed by the manufacturer or authorized service providers.

## **SAFETY WARNINGS FOR DRILL**

### **Safety instructions for all operations:**

**Hold the power tool by insulated gripping surfaces, when performing an operation where the cutting accessory may contact hidden wiring or its own cord.** Cutting accessory contacting a “live” wire may make exposed metal parts of the power tool “live” and could give the operator an electric shock.

### **Safety instructions when using long drill bits:**

**Never operate at higher speed than the maximum speed rating of the drill bit.** At higher speeds, the bit is likely to bend if allowed to rotate freely without contacting the workpiece, resulting in personal injury.

**Always start drilling at low speed and with the bit tip in contact with the workpiece.**

At higher speeds, the bit is likely to bend if allowed to rotate freely without contacting the workpiece, resulting in personal injury.





**Apply pressure only in direct line with the bit and do not apply excessive pressure.** Bits can bend causing breakage or loss of control, resulting in personal injury.

# SYMBOLS

## Safety Symbols

The purpose of safety symbols is to attract your attention to possible dangers. The safety symbols and the explanations with them deserve your careful attention and understanding. The symbol warnings do not, by themselves, eliminate any danger. The instructions and warnings they give are no substitutes for proper accident prevention measures.

**⚠ WARNING** Be sure to read and understand all safety instructions in this Owner's Manual, including all safety alert symbols such as "**DANGER**," "**WARNING**," and "**CAUTION**" before using this tool. Failure to following all instructions listed below may result in electric shock, fire, and/or serious personal injury.

The definitions below describe the level of severity for each signal word. Please read the manual and pay attention to these symbols.	
	This is the safety alert symbol. It is used to alert you to potential personal injury hazards. Obey all safety messages that follow this symbol to avoid possible injury or death.
	DANGER indicates a hazardous situation which, if not avoided, will result in death or serious injury.
	WARNING indicates a hazardous situation which, if not avoided, could result in death or serious injury.
	CAUTION, used with the safety alert symbol, indicates a hazardous situation which, if not avoided, will result in minor or moderate injury.

## Damage Prevention and Information Messages

These inform the user of important information and/or instructions that could lead to equipment or other property damage if they are not followed. Each message is preceded by the word "NOTICE", as in the example below:









**NOTICE:** Equipment and/or property damage may result if these instructions are not followed.






**⚠ WARNING** The operation of any power tools can result in foreign objects being thrown into your eyes, which can result in severe eye damage. Before beginning power tool operation, always wear safety goggles or safety glasses with side shields and a full face shield when needed. We recommend a Wide Vision Safety Mask for use over eyeglasses or standard safety glasses with side shields. Always use eye protection which is marked to comply with ANSI Z87.1.

## SYMBOLS (CONTINUED)

**IMPORTANT:** Some of the following symbols may be used on your tool. Please study them and learn their meaning. Proper interpretation of these symbols will allow you to operate the tool better and more safely.





Symbol	Name	Designation/Explanation
V	Volts	Voltage (potential)
A	Amperes	Current
Hz	Hertz	Frequency (cycles per second)
W	Watt	Power
kg	Kilograms	Weight
min	Minutes	Time
s	Seconds	Time
Wh	Watt-hours	Battery capacity
Ah	Ampere-Hours	Battery capacity
∅	Diameter	Size of drill bits, grinding wheels, etc.
$n_0$	No load speed	Rotational speed, at no load
n	Rated speed	Maximum attainable speed
.../min	Revolutions or reciprocation per minute	Revolutions, strokes, surface speed, orbits, etc. per minute
0	Off position	Zero speed, zero torque...
1,2,3,... I,II,III,	Selector settings	Speed, torque or position settings. Higher number means greater speed
	Infinitely variable selector with off	Speed is increasing from 0 setting
	Arrow	Action in the direction of arrow
	Alternating current	Type or a characteristic of current
	Direct current	Type or a characteristic of current
	Alternating or direct current	Type or a characteristic of current
	Class II construction	Designates Double Insulated Construction tools.
	Earthing terminal	Grounding terminal
	Li-ion RBRC seal	Designates Li-ion battery recycling program

Symbol	Name	Designation/Explanation
	Ni-Cad RBRC seal	Designates Ni-Cad battery recycling program
	Read manual symbol	Alerts user to read manual
	Wear eye protection symbol	Always wear safety goggles or safety glasses with side shields and a full face shield when operating this product.



## SYMBOLS (CERTIFICATION INFORMATION)

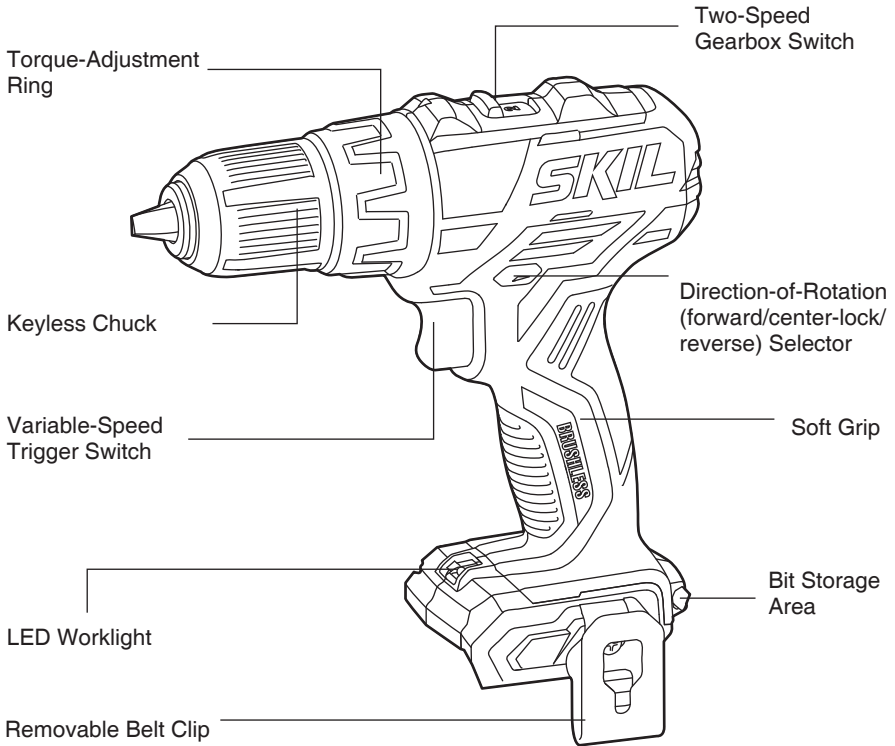
**IMPORTANT:** Some of the following symbols for certification information may be used on your tool. Please study them and learn their meaning. Proper interpretation of these symbols will allow you to operate the tool better and more safely.

Symbol	Designation/Explanation
	This symbol designates that this tool is listed by Underwriters Laboratories.
	This symbol designates that this tool is recognized by Underwriters Laboratories.
	This symbol designates that this tool is listed by Underwriters Laboratories, to United States and Canadian Standards.
	This symbol designates that this tool is listed by the Canadian Standards Association.
	This symbol designates that this tool is listed by the Canadian Standards Association, to United States and Canadian Standards.
	This symbol designates that this tool is listed by the Intertek Testing Services, to United States and Canadian Standards.
	This symbol designates that this tool complies to NOM Mexican Standards.

# GET TO KNOW YOUR DRILL/DRIVER

## 12V Brushless Drill/Driver

**Fig. 1**



## SPECIFICATIONS

Rated voltage	12V d.c.
Chuck size	1/2", with 1/4" Hex built-in head for holding screw bits
No-load speed	0~450/0~1700 RPM
Clutch	17 Positions +Drill Mode
Recommended working temperature:	14~104°F (-10~40°C)
Recommended storage temperature:	32~104°F (0~40°C)

# OPERATING INSTRUCTIONS

**⚠ WARNING** To reduce the risk of fire, personal injury, and product damage due to a short circuit, never immerse your tool, battery pack or charger in fluid or allow a fluid to flow inside them. Corrosive or conductive fluids, such as seawater, certain industrial chemicals, and bleach or bleach-containing products, etc. can cause a short circuit.

**⚠ WARNING** If any parts are damaged or missing, do not operate this product until the parts are replaced. Use of this product with damaged or missing parts could result in serious personal injury.

**⚠ WARNING** Do not attempt to modify this drill/driver or create accessories not recommended for use with this drill/driver. Any such alteration or modification is misuse and could result in a hazardous condition leading to possible serious injury.

**⚠ WARNING** To prevent accidental starting that could cause serious personal injury, always remove the battery pack from the drill/driver when assembling parts.

This cordless drill/driver must be used only with the battery packs and charger listed below:

Battery Pack		Charger
2Ah	4Ah	
SKIL BY500101	SKIL BY519801	SKIL QC535701

**NOTICE:** Please refer to the battery and charger manual for detailed operating information.

## To Attach/Detach Battery Pack

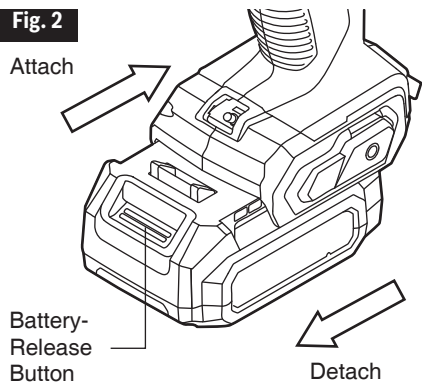
Lock the trigger switch “OFF” on the tool by placing the direction-of-rotation (forward/center-lock/reverse) selector in the center position.

a. To attach the battery pack:

Align the raised rib on the battery pack with the grooves of the tool, and then slide the battery pack onto the tool (Fig.2).

**⚠ CAUTION** When placing the battery pack onto the tool, be sure that the raised rib on the battery pack aligns with the groove inside the tool and that the latches snap into place properly. Improper attachment of the battery pack can cause damage to internal components.

**Fig. 2**



b. To detach the battery pack:

Depress the battery-release button located on the front of the battery pack to release the battery pack. Pull the battery pack out and remove it from the tool (Fig.2).

**⚠ WARNING** Battery tools are always in operating condition. Therefore, the Direction-of-Rotation (forward/center-lock/reverse) Selector should always be locked in center position when not in use or carrying at your side.

---

## Direction-of-Rotation (Forward/Center-Lock/Reverse) Selector

**⚠ WARNING** After tool use, lock the direction-of-rotation selector in the “OFF” position (center-lock) to help prevent accidental starts and possible injury.

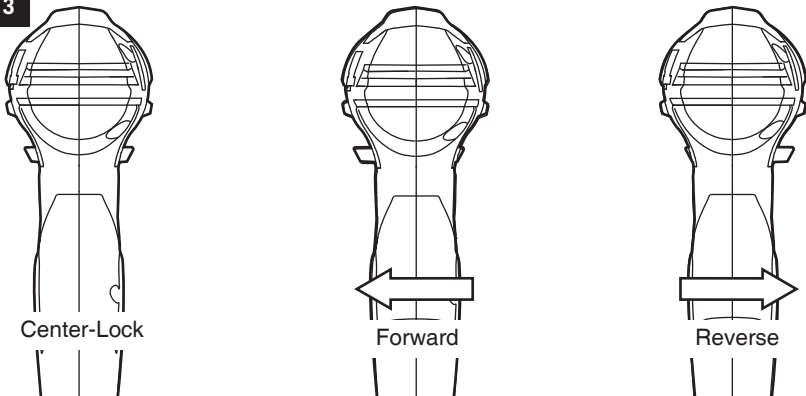
Your tool is equipped with a direction-of-rotation selector located above the trigger switch. This selector is designed for changing the direction of rotation of the bit and for locking the trigger in the “OFF” (center-lock) position (Fig.3).

- Position the direction-of-rotation selector to the far left of the tool for forward rotation.
- Position the direction-of-rotation selector to the far right of the tool for reverse rotation.
- Position the switch in the “OFF” (center-lock) position to help reduce the possibility of accidental starting when not in use.

**NOTICE:** To prevent gear damage, always allow the drill/driver to come to a complete stop before changing the direction of rotation.

**NOTICE:** The drill/driver will not run unless the direction-of-rotation selector is engaged fully to the left or right.

**Fig. 3**

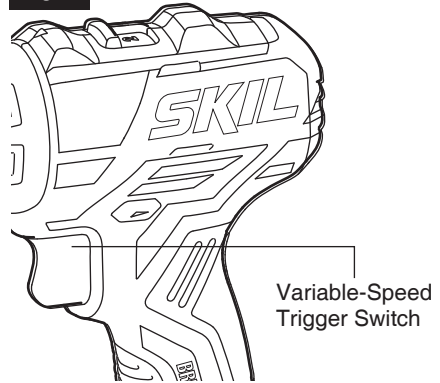


## Variable-Speed Trigger Switch

Your tool is equipped with a variable-speed trigger switch. The tool can be turned “ON” or “OFF” by depressing or releasing the trigger.

The variable-speed trigger switch delivers higher speed with increased trigger pressure and lower speed with decreased trigger pressure (Fig.4).

**Fig. 4**



## Two-Speed Gearbox Switch

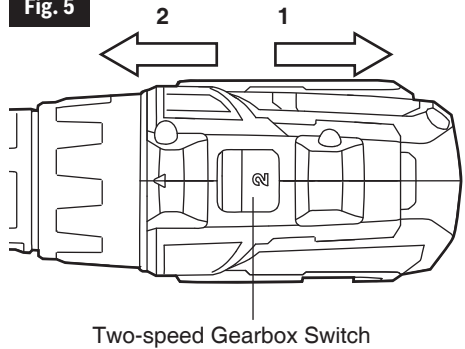
Your tool is equipped with a two-speed gearbox designed for drilling or driving at LO(1) or HI(2) speeds. A slide switch is located on the top of the drill to select either LO (1) or HI (2) speed (Fig.5).

LO (1) speed provides high-torque and slower drilling speeds for heavy-duty work or for driving screws. Use LO (1) speed for starting holes without a center punch, drilling metals or plastic, drilling ceramics, or in applications requiring a higher torque.


HI (2) speed provides faster speeds for drilling lighter work. HI (2) speed is better for drilling wood and wood composites and for using abrasive and polishing accessories.

**NOTICE:** To prevent gear damage, always allow the drill/driver to come to a complete stop before changing between High speed and Low speed.

**Fig. 5**



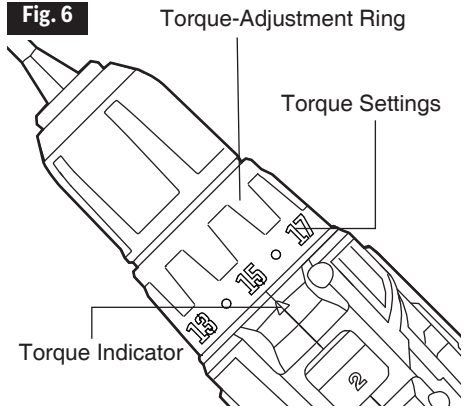
## Torque-Adjustment Ring

Your tool features 17+1 clutch settings. Output torque will increase as the torque-adjustment ring is rotated from 1 to 17. The drill “” position will lock the clutch to permit drilling and driving for heavy-duty work (Fig.6).

When using the drill/driver for different driving applications, increase or decrease the torque in order to help prevent damaging screw heads, threads, workpiece, etc.

The proper setting depends on the job and the type of bit, fastener, and material you will be using. In general, use greater torque for larger screws. If the torque is too high, the screws may be damaged or broken. For delicate operations, such as removing a partially stripped screw, use a low torque setting. For operations such as drilling into hardwood, use a higher torque setting.

**NOTICE:** Do not adjust the torque when the tool is running.



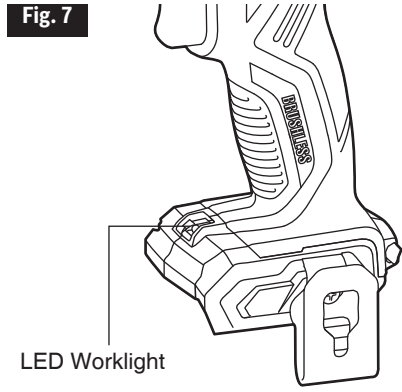
## LED Worklight

Your tool is equipped with LED worklight, located on the base of the tool, which illuminates when the variable-speed trigger switch is squeezed. This provides additional light on the surface of the workpiece for operation in lower-light areas (Fig.7).

The LED worklight will automatically turn on with a slight squeeze on the trigger switch before the tool starts running, and will turn off 8 to 12 seconds after the trigger is released.

When the tool and/or battery pack becomes overloaded or too hot, the internal sensors will turn the tool off. If the tool and/or battery pack are overloaded, the LED worklight will rapidly flash. Rest the tool for a while or place the tool and battery pack separately under air flow to cool.


The LED worklight will flash more slowly to indicate that the battery pack is at low-battery capacity. Recharge the battery pack.



## Install and Remove Bits

**⚠ WARNING** Do not use the power of the drill while grasping chuck to loosen or tighten bit. Friction burn or hand injury is possible if attempting to grasp the spinning chuck.

Your tool is equipped with a keyless chuck to tighten or release drill bits in the chuck jaws. The arrows on the chuck indicate the direction in which to rotate the chuck body in order to GRIP (tighten) or OPEN (release) the chuck jaws on the drill bit.

- Lock the trigger switch “OFF” on the tool by placing the direction-of-rotation (forward/center-lock/reverse) selector in the center position.
- Remove the battery pack and rotate the torque-adjustment ring to the Drill Setting “”.

### To install the bit:

- Rotate the chuck body counterclockwise, viewed from chuck end, to open the chuck to approximately the drill bit diameter.
- Insert a clean bit up to the drill-bit flutes for small bits, or as far as it will go for large bits. Close the chuck by rotating the chuck body clockwise and securely tighten by hand (Fig. 8).

### To remove the bit:

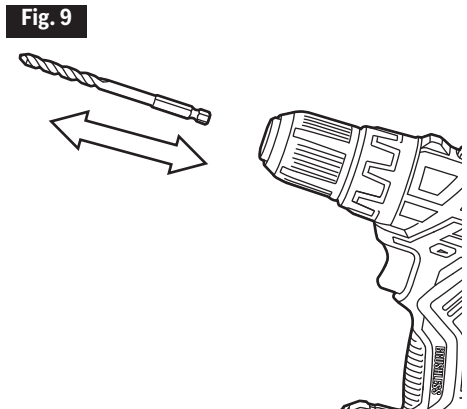
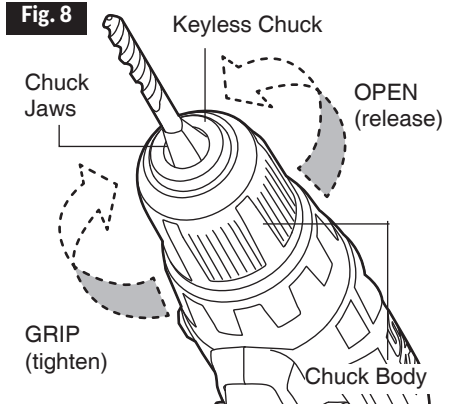
- Rotate the chuck body counterclockwise, as viewed from the chuck end, to open the chuck.
- Remove the bit.

### For 1/4” hex bits:

Your tool is equipped with a built-in collet inside the chuck, making it very easy to install and remove 1/4” hex bits.

- Lock the trigger switch “OFF” by placing the direction-of-rotation selector in the center position.
- Remove the battery pack.
- To install the bit:  
Insert the bit into the collet. You will hear a “click”, indicating that the bit is securely installed in place.
- To remove the bit:  
Pull the bit out of the collet (Fig.9).

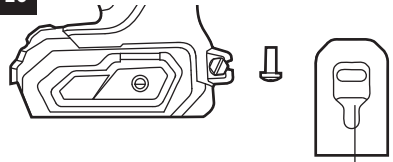
**⚠ WARNING** Use protective gloves when removing the bit from the tool, or first allow the bit to cool down. The bit may be hot after prolonged use.



## Removable Belt Clip

Your tool is equipped with a removable belt clip that can be positioned on the left side of the tool for convenient transport (Fig. 10).

Fig. 10

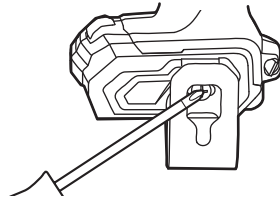


### Install the belt clip onto the tool:

- Remove the battery pack from the tool.
- Align the rib of the belt clip with the threaded hole on the base of the tool.
- Insert the screw and securely tighten the screw with a screwdriver.

### Remove the belt clip from the tool:

- Remove the battery pack from the tool.
- Use a screwdriver to loosen the screw that attaches the belt clip to the tool.
- Remove the screw and the belt clip.



Belt Clip

## Drill Bits

Always inspect drill bits for excessive wear. Use only bits that are sharp and in good condition.

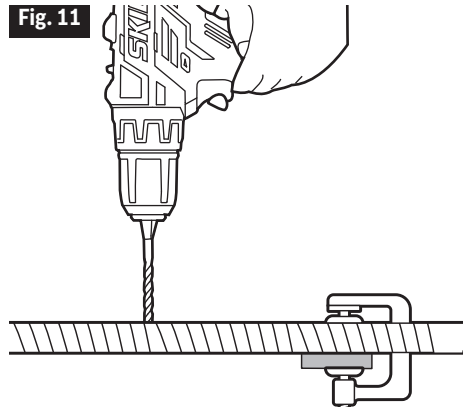
**Twist Bits:** Available with straight and reduced shanks for wood and light-duty metal drilling. High-speed bits cut faster and last longer on hard materials.

**Carbide-Tipped Bits:** Used for drilling stone, concrete, plaster, cement, and other unusually hard nonmetal materials. Use continuous, heavy feed pressure when using carbide-tipped bits.

## Drilling (Fig. 11)

**⚠ WARNING** Always wear safety goggles or safety glasses with side shields during power tool operation or when blowing dust. If operation is dusty, also wear a dust mask.

Fig. 11



- Check that the direction-of-rotation selector is at the correct setting (forward or reverse).
- Secure the material to be drilled in a vise or with clamps to keep it from turning as the drill bit rotates.
- Hold the drill firmly, and place the bit at the point to be drilled.
- Depress the trigger switch to start the drill.
- Move the drill bit into the workpiece, applying only enough pressure to keep the bit "biting". Do not force the drill or apply side pressure to elongate a hole. Let the tool do the work.
- When drilling hard, smooth surfaces, use a center punch to mark the desired location of the hole. This will prevent the drill bit from slipping off-center as the hole is started.
- When drilling metals, use light oil on the drill bit to keep it from overheating. The oil will prolong the life of the bit and increase the drilling action.
- If the bit jams in the workpiece or if the drill stalls, stop the tool immediately. Remove the bit from the workpiece and determine and correct the reason for jamming.



**NOTICE:** There are two rules for drilling hard materials. First, the harder the material, the greater the pressure you need to apply to the tool. Second, the harder the material, the slower the speed should be. If the hole to be drilled is fairly large, drill a smaller hole first, then enlarge to the required size with a larger bit; it's often faster in the long run.

## Wood Drilling

For maximum performance, use high-speed steel or brad-point bits for wood drilling.

- a. Begin drilling at a very low speed to prevent the bit from slipping off the starting point.
- b. Increase speed as the drill bit bites into the material.
- c. When drilling "through" holes, place a block of wood behind the workpiece to prevent ragged or splintered edges on the back side of the hole.

**NOTICE:** Bits may overheat unless pulled out frequently to clear chips from flutes.

## Metal Drilling

For maximum performance, use high-speed steel bits for drilling metal.


- a. When drilling metals, use light oil on the drill bit to keep it from overheating. The oil will prolong the life of the bit and increase the drilling action.
- b. Begin drilling at a very low speed to prevent the bit from slipping off the starting point.
- c. Maintain a speed and a pressure that allow cutting without overheating the bit. Applying too much pressure will:
  - Overheat the Drill.
  - Wear the bearings.
  - Bend or burn bits.
  - Produce off-center or irregularly shaped holes.

## Masonry Drilling

For maximum performance, use carbide-tipped masonry bits when drilling holes in brick, tile, concrete, etc.

- a. Maintain a speed and a pressure that allow cutting without overheating the bit or Drill. Applying too much pressure will:
  - Overheat the Drill.
  - Wear the bearings.
  - Bend or burn bits.
  - Produce off-center or irregular-shaped holes.
- b. Apply light pressure and medium speed for best results in brick.
- c. Apply additional pressure for hard materials such as concrete.
- d. When drilling holes in tile, practice on a scrap piece to determine the best speed and pressure.
- e. Begin drilling at a very low speed to prevent the bit from slipping off the starting point.

## Driving Nuts and Bolts

 **WARNING** Always wear safety goggles or safety glasses with side shields during power tool operation or when blowing dust. If operation is dusty, also wear a dust mask.

Variable-speed control must be used with caution for driving nuts and bolts with socket set attachments. The best technique is to start slowly, increasing speed as the nut or bolt runs down. Set the nut or bolt snugly by slowing the drill to a stop. If this procedure is not followed, the tool will have a tendency to torque or twist in your hands when the nut or bolt seats.

# MAINTENANCE

**⚠ WARNING** To avoid serious personal injury, always remove the battery pack from the tool when cleaning or performing any maintenance.

## Service

**⚠ WARNING** Preventive maintenance performed by unauthorized personnel may result in misplacing of internal wires and components which could cause serious hazard. We recommend that all tool service be performed by a SKIL Factory Service Center or Authorized SKIL Service Station.

## General Maintenance

**⚠ WARNING** When servicing, use only identical replacement parts. Use of any other parts could create a hazard or cause product damage.

Periodically inspect the entire product for damaged, missing, or loose parts such as screws, nuts, bolts, caps, etc. Tighten securely all fasteners and caps and do not operate this product until all missing or damaged parts are replaced. Please contact customer service or an authorized service center for assistance.

## Cleaning

**⚠ WARNING** The tool may be cleaned most effectively with compressed dry air. **Always wear safety goggles when cleaning tools with compressed air.**

Ventilation openings and switch selectors must be kept clean and free of foreign matter. Do not attempt to clean by inserting pointed objects through openings.

**⚠ WARNING** Certain cleaning agents and solvents damage plastic parts. Some of these are: gasoline, carbon tetrachloride, chlorinated cleaning solvents, ammonia and household detergents that contain ammonia.

## Storage

Store the tool indoors in a place that is inaccessible to children. Keep away from corrosive agents.

# TROUBLESHOOTING

Problem	Cause	Remedy
Tool does not work.	<ol style="list-style-type: none"><li>1. Battery pack is depleted.</li><li>2. Battery pack is not installed properly.</li><li>3. Burned out switch.</li></ol>	<ol style="list-style-type: none"><li>1. Charge the battery.</li><li>2. Confirm battery is locked and secured to the tool.</li><li>3. Have the switch replaced by an Authorized SKIL Service Center or Service Station.</li></ol>
LED Worklight rapidly flashes.	<ol style="list-style-type: none"><li>1. Tool is over-loaded.</li><li>2. Tool is over-temperature.</li></ol>	<ol style="list-style-type: none"><li>1. Release the trigger switch.</li><li>2. Cool the tool under air flow.</li></ol>

# LIMITED WARRANTY OF SKIL CONSUMER TOOLS

## 5 YEAR LIMITED WARRANTY- LEGAL

Chervon North America, Inc. ("Seller") warrants to the original purchaser only, that all SKIL consumer TOOLS will be free from defects in material or workmanship for a period of five years from date of purchase, if original purchaser registers the product within 30 days from purchase. BATTERIES AND CHARGERS are warranted for 2 years. Product registration can be completed online at [www.Registermyskil.com](http://www.Registermyskil.com). Original purchasers should also retain their receipt as proof of purchase. THE FIVE-YEAR WARRANTY PERIOD FOR TOOLS IS CONDITIONED ON REGISTRATION OF THE PRODUCT WITHIN 30 DAYS OF PURCHASE. If original purchasers do not register their product timely, the foregoing limited warranty will apply for a duration of three years for tools. All batteries and chargers will remain under the two-year limited warranty.

Notwithstanding the foregoing, if a SKIL consumer tool is used for industrial, professional or commercial purposes, the foregoing warranty will apply for a duration of ninety days, regardless of registration.

SELLER'S SOLE OBLIGATION AND YOUR EXCLUSIVE REMEDY under this Limited Warranty and, to the extent permitted by law, any warranty or condition implied by law, shall be the repair or replacement of parts, without charge, which are defective in material or workmanship and which have not been misused, carelessly handled, or repaired by persons other than Seller or Authorized Service Station. To make a claim under this Limited Warranty, you must return the complete product, transportation prepaid, to any SKIL Factory Service Center or Authorized Service Station. For Authorized SKIL Power Tool Service Stations, please visit [www.Registermyskil.com](http://www.Registermyskil.com) or call 1-877-SKIL-999 (1-877-754-5999).

THIS LIMITED WARRANTY DOES NOT APPLY TO ACCESSORY ITEMS SUCH AS CIRCULAR SAW BLADES, DRILL BITS, ROUTER BITS, JIGSAW BLADES, SANDING BELTS, GRINDING WHEELS AND OTHER RELATED ITEMS.

ANY IMPLIED WARRANTIES APPLICABLE TO A PRODUCT SHALL BE LIMITED IN DURATION EQUAL TO THE DURATION OF THE EXPRESS WARRANTIES APPLICABLE TO SUCH PRODUCT, AS SET FORTH IN THE FIRST PARAGRAPH ABOVE. SOME STATES IN THE U.S., SOME CANADIAN PROVINCES DO NOT ALLOW LIMITATIONS ON HOW LONG AN IMPLIED WARRANTY LASTS, SO THE ABOVE LIMITATION MAY NOT APPLY TO YOU.

IN NO EVENT SHALL SELLER BE LIABLE FOR ANY INCIDENTAL OR CONSEQUENTIAL DAMAGES (INCLUDING BUT NOT LIMITED TO LIABILITY FOR LOSS OF PROFITS) ARISING FROM THE SALE OR USE OF THIS PRODUCT. SOME STATES IN THE U.S. AND SOME CANADIAN PROVINCES DO NOT ALLOW THE EXCLUSION OR LIMITATION OF INCIDENTAL OR CONSEQUENTIAL DAMAGES, SO THE ABOVE LIMITATION OR EXCLUSION MAY NOT APPLY TO YOU.

THIS LIMITED WARRANTY GIVES YOU SPECIFIC LEGAL RIGHTS, AND YOU MAY ALSO HAVE OTHER RIGHTS WHICH VARY FROM STATE TO STATE IN THE U.S., PROVINCE TO PROVINCE IN CANADA AND FROM COUNTRY TO COUNTRY.

THIS LIMITED WARRANTY APPLIES ONLY TO PRODUCTS SOLD WITHIN THE UNITED STATES OF AMERICA, CANADA AND THE COMMONWEALTH OF PUERTO RICO. FOR WARRANTY COVERAGE WITHIN OTHER COUNTRIES, CONTACT YOUR LOCAL SKIL DEALER OR IMPORTER.

© Chervon North America, 1203 E. Warrenville Rd, Naperville, IL 60563.

07/18

# TABLE DES MATIÈRES

<b>Avertissements de sécurité généraux relatifs aux outils électriques</b> . . . . .	<b>21-23</b>
<b>Avertissements de sécurité pour la perceuse-visseuse</b> . . . . .	<b>24</b>
<b>Symboles</b> . . . . .	<b>25-28</b>
<b>Apprenez à connaître votre perceuse/visseuse</b> . . . . .	<b>29</b>
<b>Caractéristiques techniques</b> . . . . .	<b>29</b>
<b>Mode d'emploi</b> . . . . .	<b>30-37</b>
<b>Entretien</b> . . . . .	<b>38</b>
<b>Dépannage</b> . . . . .	<b>38</b>
<b>Garantie limitée de l'outil sans fil SKIL</b> . . . . .	<b>39-40</b>

## **⚠ AVERTISSEMENT**

- La poussière créée pendant le ponçage, le sciage, le polissage, le perçage et d'autres activités liées à la construction peut contenir des produits chimiques reconnus par l'État de la Californie comme étant la cause de cancer, d'anomalies congénitales et d'autres problèmes liés aux fonctions reproductrices. Voici des exemples de ces produits chimiques :
  - du plomb provenant de peintures à base de plomb;
  - de la silice cristalline provenant de la brique, du ciment ou d'autres matériaux de maçonneries;
  - de l'arsenic et du chrome provenant du bois d'œuvre traité avec un produit chimique.
- Les risques liés à l'exposition à ces produits varient selon le nombre de fois où vous pratiquez ces activités. Pour réduire votre exposition à ces produits chimiques :
  - travaillez dans un endroit bien ventilé;
  - munissez-vous de l'équipement de sécurité approuvé tel que des masques antipoussières conçus spécialement pour filtrer les particules microscopiques;
  - évitez l'exposition prolongée à la poussière causée par le ponçage mécanique, le sciage, le polissage, le perçage et d'autres activités liées à la construction; Portez un équipement de protection et lavez à l'eau et au savon toutes les parties exposées. Les poussières pénétrant dans votre bouche ou dans vos yeux et les poussières se déposant sur votre peau peuvent causer l'absorption de produits chimiques dangereux.

# AVERTISSEMENTS DE SÉCURITÉ GÉNÉRAUX RELATIFS AUX OUTILS ÉLECTRIQUES

**⚠ AVERTISSEMENT** Lisez tous les avertissements et toutes les instructions, illustrations et spécifications fournis avec cet outil électrique. Le non-respect des consignes de sécurité ci-dessous peut occasionner un choc électrique, un incendie ou des blessures graves.

## CONSERVEZ TOUS LES AVERTISSEMENTS ET LES INSTRUCTIONS AFIN DE POUVOIR VOUS YRÉFÉRER ULTÉRIEUREMENT.

L'expression « outil électrique » utilisée dans les avertissements correspond aux outils électriques alimentés sur secteur (à fil) ou alimentés par piles (sans fil).

### Mesures de sécurité dans l'aire de travail

**Gardez l'aire de travail propre et bien éclairée.** Une aire de travail sombre ou en désordre augmente les risques d'accident.

**N'utilisez pas d'outils électriques dans un endroit présentant un risque d'explosion, par exemple en présence de liquides, de gaz ou de poussières inflammables.** Les outils électriques produisent des étincelles susceptibles d'enflammer ces poussières ou ces vapeurs.

**Maintenez les enfants et les observateurs à l'écart lorsque vous manipulez l'outil électrique.** Une distraction peut vous faire perdre la maîtrise de l'outil.

### Consignes de sécurité relatives à l'électricité

**Les fiches des outils électriques doivent correspondre à la prise. Ne modifiez jamais la fiche de quelque façon que ce soit.** N'utilisez pas d'adaptateur avec les outils électriques mis à la terre. L'utilisation de fiches non modifiées dans les prises compatibles réduit les risques de choc électrique.

**Évitez de toucher à des surfaces mises à la terre, par exemple un tuyau, un radiateur, une cuisinière ou un réfrigérateur.** Le contact du corps avec une surface mise à la terre augmente les risques de choc électrique.

**N'exposez pas les outils électriques à la pluie ni à tout environnement humide.** Les risques de choc électrique sont plus élevés si le cordon d'alimentation est endommagé ou emmêlé.

**N'utilisez pas le cordon d'alimentation de façon à l'endommager. Ne transportez jamais un outil électrique en le tenant par son cordon et ne tirez jamais sur le cordon pour le débrancher. Tenez le cordon d'alimentation éloigné des sources de chaleur, de l'huile, des objets coupants et des pièces mobiles.** Les risques de choc électrique sont plus élevés si le cordon d'alimentation est endommagé ou emmêlé.

**Lorsque vous utilisez un outil électrique à l'extérieur, utilisez une rallonge conçue pour être utilisée à l'extérieur.** Ce type de rallonge réduit les risques de décharge électrique.

**Si vous n'avez d'autre choix que d'utiliser un outil électrique dans un endroit humide, utilisez une alimentation protégée par un disjoncteur différentiel.** L'utilisation d'un disjoncteur différentiel réduit les risques de décharge électrique.

### Sécurité personnelle

**Soyez vigilant, prêtez attention à ce que vous faites et usez de votre jugement lorsque vous utilisez un outil électrique. N'utilisez pas un outil électrique lorsque vous êtes fatigué ou sous l'effet de drogues, d'alcool ou de médicaments.** Un moment d'inattention pendant que vous utilisez des outils électriques peut occasionner des blessures graves.

**Utilisez un équipement de protection. Portez toujours des lunettes de sécurité.** Le port d'équipement de protection, comme un masque antipoussières, des chaussures de sécurité antidérapantes, un casque de protection et des protecteurs auditifs, lorsque les conditions l'exigent, réduit les risques de blessures.

**Évitez tout démarrage involontaire. Assurez-vous que l'interrupteur est sur la position d'arrêt avant de brancher l'outil sur une source d'alimentation ou un bloc-piles, de ramasser l'outil ou de le transporter.** Transporter les outils électriques avec le doigt sur la gâchette ou brancher les outils lorsque l'interrupteur est à la position de marche augmente les risques d'accident.

**Enlevez toute clé de serrage ou clé à molette avant de mettre l'outil électrique en marche.** Une clé de réglage oubliée sur une pièce rotative de l'outil électrique peut occasionner des blessures graves.

**Ne vous étirez pas pour étendre votre portée.** Gardez une posture sécuritaire et un bon équilibre en tout temps. Vous pourrez ainsi mieux maîtriser l'outil électrique lorsque des situations inattendues se présentent.

**Habillez-vous de manière appropriée. Ne portez pas de vêtements amples ni de bijoux. Gardez vos cheveux, vos vêtements et vos gants loin des pièces mobiles.** Les vêtements amples, les bijoux et les cheveux longs risquent de se prendre dans les pièces en mouvement.

**Si un dispositif permet de raccorder un dépoussiéreur, assurez-vous que celui-ci est branché et utilisé de manière appropriée.** L'emploi d'un dépoussiéreur contribue à réduire les dangers liés à la poussière.

**Même si vous connaissez parfaitement ces outils parce que vous les utilisez souvent, soyez vigilant et respectez les principes de sécurité.** Il suffit d'être négligent une fraction de seconde pour se blesser gravement.

## Utilisation et entretien d'un outil électrique

**Ne forcez pas l'outil électrique. Utilisez l'outil électrique approprié à la tâche que vous souhaitez accomplir.** L'utilisation de l'outil électrique approprié permet d'obtenir de meilleurs résultats, de façon plus sécuritaire, selon le régime de fonctionnement prévu.

**N'utilisez pas l'outil électrique si l'interrupteur ne permet pas de le mettre en marche et de l'arrêter.** Tout outil qui ne peut pas être contrôlé par l'interrupteur est dangereux et doit être réparé.

**Débranchez la fiche de la prise ou retirez, si possible, le bloc-piles de l'outil électrique avant d'effectuer des réglages, de changer d'accessoire ou de le ranger.** De telles mesures de sécurité préventives réduisent les risques de mise en marche accidentelle de l'outil électrique.

**Rangez les outils électriques inutilisés hors de la portée des enfants et d'autres personnes qui ne connaissent pas bien l'outil électrique ni les présentes instructions.** Les outils électriques sont dangereux s'ils se retrouvent entre les mains d'utilisateurs qui ne savent pas s'en servir.

**Entretenez les outils électriques et les accessoires. Vérifiez les pièces mobiles pour vous assurer qu'elles ne sont pas désalignées, enrayées, brisées, ou dans un état qui pourrait nuire à leur fonctionnement.** Si l'outil électrique est endommagé, faites-le réparer avant de l'utiliser. De nombreux accidents sont provoqués par des outils électriques mal entretenus.

**Maintenez les outils de découpe affûtés et propres.** Des outils tranchants bien entretenus et dont les lames sont affûtées risquent moins de se bloquer et sont plus faciles à maîtriser.

**Utilisez l'outil électrique, les accessoires, les embouts et les autres éléments conformément aux présentes instructions, en tenant compte des conditions de travail et du travail à effectuer.** L'utilisation de l'outil électrique à des fins autres que celles pour lesquelles il a été conçu pourrait entraîner une situation dangereuse.

**Les poignées et autres surfaces de préhension doivent toujours être sèches, propres et exemptes d'huile ou de graisse.** Les poignées et autres surfaces de préhension glissantes ne permettent pas de manipuler ni de contrôler l'outil de façon sécuritaire en cas de situations inattendues.

## **Utilisation et entretien d'un outil alimenté par un bloc-piles**

**Rechargez uniquement le bloc-piles au moyen du chargeur approuvé par le fabricant.**

Un chargeur conçu pour un type de bloc-piles peut causer un incendie s'il est utilisé avec un autre bloc-piles.

**Utilisez les outils électriques uniquement avec les blocs-piles désignés.** L'utilisation de tout autre bloc-piles peut constituer un risque de blessure et d'incendie.

**Lorsque vous n'utilisez pas le bloc-pile, conservez-le à l'écart d'autres objets métalliques, comme des trombones, des pièces de monnaie, des clés, des clous, des vis et d'autres petits objets métalliques qui peuvent connecter une borne à une autre.**

Un court-circuit entre les bornes du bloc-piles peut occasionner des brûlures ou un incendie.

**Dans de mauvaises conditions, un liquide peut être éjecté du bloc-pile; évitez tout contact avec celui-ci. En cas de contact accidentel, rincez à grande eau. Si vos yeux entrent en contact avec ce liquide, consultez un médecin.** Le liquide provenant des piles peut causer de l'irritation ou des brûlures.

**N'utilisez pas un bloc-piles ou un outil endommagé ou modifié.** Les blocs-piles modifiés ou endommagés peuvent fonctionner de façon imprévisible et présenter un risque d'incendie, d'explosion ou de blessures.

**N'exposez pas un bloc-piles ou un outil à un feu ou à une température excessive.**

L'exposition au feu ou à une température supérieure à 129,4 °C peut provoquer une explosion.

**Suivez toutes les instructions pour le chargement et ne chargez pas le bloc-piles ou l'appareil en dehors de la plage de température spécifiée dans les instructions.** Une recharge inadéquate ou effectuée à des températures en dehors de la plage spécifiée peut endommager le bloc-piles et augmenter le risque d'incendie.

## **Entretien**

**Demandez à un technicien qualifié qui utilise seulement des pièces de rechange identiques aux pièces d'origine d'effectuer l'entretien de votre outil électrique.** Vous vous assurerez ainsi de respecter les consignes de sécurité de l'outil électrique.

**Ne réparez jamais un bloc-piles endommagé.** Seuls le fabricant et les fournisseurs de services autorisés peuvent effectuer la réparation d'un bloc-piles.

# AVERTISSEMENTS DE SÉCURITÉ POUR LE PERÇAGE

**Consignes de sécurité pour toutes les utilisations :**

**Tenez l'outil électrique par la poignée isolée lorsqu'il y a un risque que l'accessoire tranchant entre en contact avec des fils dissimulés ou avec son propre cordon.** Si un accessoire tranchant entre en contact avec un fil sous tension, les parties métalliques exposées de l'outil électrique peuvent donner un choc électrique à l'utilisateur.

**Consignes de sécurité pour l'utilisation de longs forets :**

**Ne jamais faire fonctionner l'outil à une vitesse supérieure à la vitesse maximale du foret.** À des vitesses plus élevées, le foret pourrait se tordre si vous le laissez tourner librement, sans qu'il soit en contact avec la pièce travaillée et cela pourrait vous causer des blessures.

**Commencez toujours le perçage à basse vitesse, en gardant le foret en contact avec la pièce travaillée.** À des vitesses plus élevées, le foret pourrait se tordre si vous le laissez tourner librement, sans qu'il soit en contact avec la pièce travaillée et cela pourrait causer des blessures.

**Appliquez seulement une pression en ligne directe avec le foret et n'appliquez pas de pression excessive.** Les forets peuvent se tordre et causer un bris ou une perte de contrôle, ce qui pourrait causer des blessures.







# SYMBOLES

## Symboles de sécurité

L'objectif des symboles de sécurité est d'attirer votre attention sur les dangers potentiels. Vous devez examiner attentivement et bien comprendre les symboles de sécurité et les explications qui les accompagnent. Les symboles d'avertissement en tant que tels n'éliminent pas le danger. Les consignes et les avertissements qui y sont associés ne remplacent en aucun cas les mesures préventives adéquates.

**⚠ AVERTISSEMENT** Assurez-vous de lire et de comprendre toutes les consignes de sécurité présentées dans le présent guide d'utilisation, notamment toutes les consignes de sécurité indiquées par « **DANGER** », « **AVERTISSEMENT** » et « **ATTENTION** » avant d'utiliser cet outil. Le fait de ne pas respecter toutes les consignes de sécurité ci-dessous peut causer un choc électrique, un incendie ou des blessures graves.

Les définitions ci-dessous décrivent le degré de gravité pour chaque mot-indicateur. Veuillez lire ce manuel et prêter attention à ces symboles.	
	Voici le pictogramme d'alerte de sécurité. Il sert à vous indiquer les risques potentiels de blessures. Respectez toutes les consignes de sécurité associées à ce pictogramme pour éviter les risques de blessures ou de mort.
	DANGER indique un danger imminent qui, s'il n'est pas évité, causera des blessures graves ou la mort.
	AVERTISSEMENT indique un risque pouvant entraîner des blessures graves ou la mort s'il n'est pas prévenu.
	MISE EN GARDE, utilisée avec le symbole d'alerte de sécurité, indique un risque potentiel qui, s'il n'est pas éliminé, provoquera des blessures mineures ou moyennement graves.

## Messages d'information et de prévention des dommages

Ces messages contiennent des renseignements importants à l'intention de l'utilisateur ainsi que des consignes à respecter. Le non-respect de celles-ci peut occasionner des dommages à l'équipement ou d'autres dommages matériels. Chaque message est précédé du mot « **AVIS** », comme dans l'exemple ci-dessous :








**AVIS** : Ne pas suivre ces consignes pourrait occasionner des dommages à l'équipement ou d'autres dommages matériels.







**⚠ AVERTISSEMENT** L'utilisation de tout outil électrique peut entraîner la projection de corps étrangers dans les yeux et ainsi causer des lésions oculaires graves. Lorsque vous utilisez un outil électrique, portez toujours des lunettes de sécurité pourvues d'écrans latéraux et d'un écran facial panoramique, au besoin. Nous recommandons le port d'un masque de sécurité panoramique par-dessus les lunettes ou de lunettes de sécurité standard avec écrans latéraux. Portez toujours des protecteurs oculaires conformes à la norme ANSI Z87.1.

## SYMBOLES (SUITE)








**IMPORTANT** : Les symboles suivants peuvent figurer sur votre outil. Familiarisez-vous avec eux et apprenez leur signification. En comprenant ces symboles, vous serez en mesure de faire fonctionner cet outil de façon adéquate et sécuritaire.

Symbole	Nom	Forme au long et explication
V	Volts	Tension (possible)
A	Ampère	Courant
Hz	Hertz	Fréquence (cycles par seconde)
W	Watt	Puissance
kg	Kilogrammes	Poids
min	Minutes	Durée
s	Secondes	Durée
Wh	Watheures	Capacité de la pile
Ah	Ampères-heures	Capacité de la pile
Ø	Diamètre	Taille des forets, des meules, etc.
$n_0$	Vitesse à vide	Vitesse de rotation à vide
n	Vitesse nominale	Vitesse maximale atteignable
.../min	Tours ou va-et-vient par minute	Tours, coups, vitesse périphérique, de la course, etc. par minute
0	Position d'arrêt	Vitesse nulle, couple nul...
1,2,3,... I,II,III,	Réglages du sélecteur	Réglages de vitesse, de couple ou de position. Plus le chiffre est élevé, plus la vitesse est rapide
	Sélecteur à réglages infinis avec mode d'arrêt	La vitesse augmente à partir du réglage 0
	Flèche	L'activation se fait dans le sens de la flèche
	Courant alternatif	Type de courant ou caractéristique de courant
	Courant continu	Type de courant ou caractéristique de courant
	Courant alternatif ou continu	Type de courant ou caractéristique de courant
	Appareil de classe II	Désigne les outils de construction à double isolation.
	Borne de mise à la terre	Borne de mise à la terre

Symbole	Nom	Forme au long et explication
	Sceau du programme de recyclage des piles au lithium-ion	Désigne le programme de recyclage des piles au lithium-ion
	Sceau du programme de recyclage des piles au nickel-cadmium	Désigne le programme de recyclage des piles au nickel-cadmium
	Symbole de lecture du manuel	Invite l'utilisateur à lire le manuel
	Symbole du port de lunettes de sécurité	Lorsque vous utilisez ce produit, portez toujours des lunettes de protection ou de sécurité à écrans latéraux et un masque de protection complet.

## SYMBOLES (RENSEIGNEMENTS EN MATIÈRE D'HOMOLOGATION)

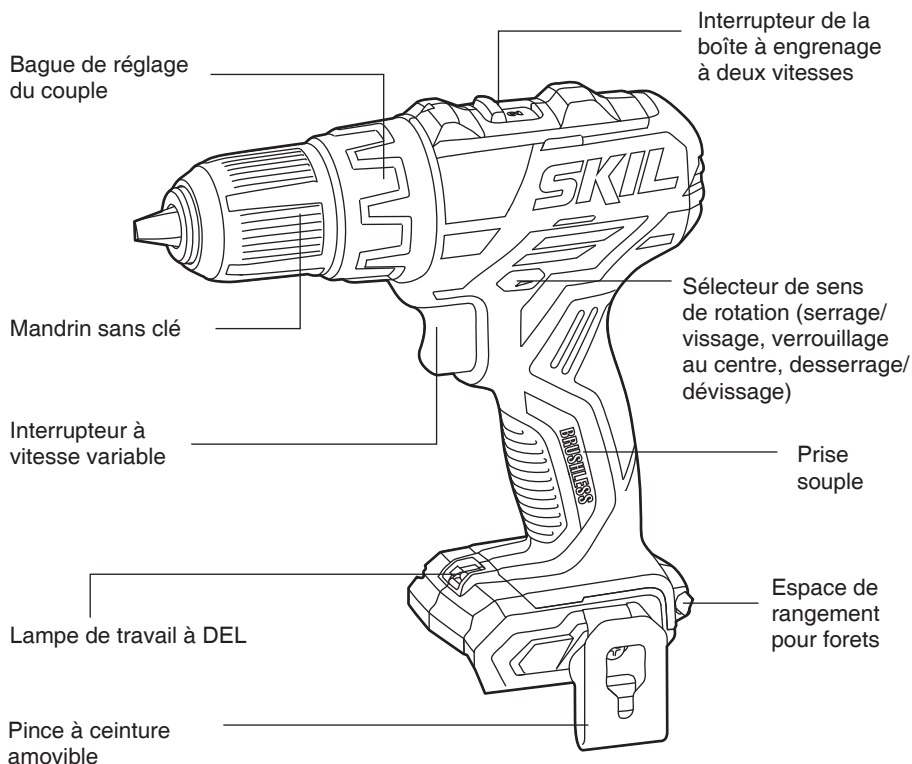
**IMPORTANT** : Certains des symboles suivants, qui fournissent des renseignements en matière d'homologation, peuvent figurer sur l'outil. Familiarisez-vous avec eux et apprenez leur signification. En comprenant ces symboles, vous serez en mesure de faire fonctionner cet outil de façon adéquate et sécuritaire.

Symbole	Forme au long et explication
	Ce symbole indique que cet outil est répertorié par Underwriters Laboratories.
	Ce symbole indique que cet outil est reconnu par Underwriters Laboratories.
	Ce symbole indique que cet outil est répertorié par Underwriters Laboratories, selon les normes américaines et canadiennes.
	Ce symbole indique que cet outil est répertorié par l'Association canadienne de normalisation.
	Ce symbole indique que cet outil est répertorié par l'Association canadienne de normalisation et qu'il est conforme aux normes américaines et canadiennes.
	Ce symbole indique que cet outil est répertorié par Intertek Testing et qu'il est conforme aux normes américaines et canadiennes.
	Ce symbole indique que cet outil est conforme aux normes mexicaines officielles (NOM).

# APPRENEZ À CONNAÎTRE VOTRE PERCEUSE-VISSEUSE

## Perceuse-visseuse Sans Balai de 12 V

Fig. 1



## CARACTÉRISTIQUES TECHNIQUES

Tension nominale	12 V c.c.
Taille du mandrin	1/2 po, avec tête hexagone intégrée de 1/4 po pour tenir les embouts de tournevis
Vitesse à vide	0 à 450, 0 à 1700 TOURS/MINUTE
Embrayage	17 positions + mode de perçage
Température de fonctionnement recommandée :	de -10 à 40 °C (de 14 à 104 °F)
Température de rangement recommandée :	de 0 à 40 °C (de 32 à 104 °F)

## MODE D'EMPLOI

**⚠ AVERTISSEMENT** Pour réduire les risques d'incendie, de blessures corporelles et de détérioration de l'outil découplant d'un court-circuit, ne plongez jamais l'outil, le bloc-piles ou le chargeur dans un liquide et ne laissez aucun liquide s'écouler sur ceux-ci. Les liquides corrosifs ou conducteurs, tels que l'eau de mer, certains produits chimiques industriels, l'eau de javel, des produits contenant de l'eau de Javel, etc., peuvent causer un court-circuit.

**⚠ AVERTISSEMENT** S'il y a des pièces manquantes ou endommagées, ne tentez pas d'utiliser cet article tant que ces pièces n'auront pas été remplacées. L'utilisation de cet article avec des pièces endommagées ou manquantes peut causer des blessures graves.

**⚠ AVERTISSEMENT** Ne tentez pas de modifier cette perceuse-visseuse ou de créer des accessoires qui ne sont pas recommandés pour cette dernière. Toute modification est considérée comme un usage inapproprié et pourrait occasionner des risques allant jusqu'à des blessures graves.

**⚠ AVERTISSEMENT** Pour empêcher une mise en marche accidentelle pouvant causer des blessures graves, retirez toujours le bloc-piles de la perceuse-visseuse avant d'assembler des pièces.

Utilisez cette perceuse-visseuse sans fil uniquement avec les blocs-piles et les chargeurs indiqués ci-dessous :

Bloc-pile		Chargeur
2Ah	4Ah	
SKIL BY500101	SKIL BY519801	SKIL QC535701

**AVIS :** Veuillez consulter le manuel relatif aux blocs-piles et aux chargeurs pour davantage de détails au sujet du fonctionnement de l'outil.

### Fixation et retrait du bloc-piles

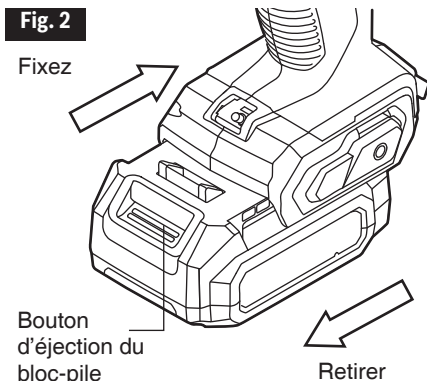
Verrouillez l'interrupteur de l'outil à la position « OFF » (arrêt) en plaçant le sélecteur de sens de rotation (serrage/vissage, verrouillage au centre, desserrage/dévisage) à la position centrale.

#### a. Fixation du bloc-piles :

Alignez les nervures du bloc-piles aux rainures situées sur l'outil, puis faites glisser le bloc-piles de manière à ce qu'il s'insère dans l'outil (figure 2).

**⚠ ATTENTION** Lorsque vous insérez le bloc-piles, assurez-vous que les nervures du bloc-piles sont alignées sur les rainures de l'outil et que le verrou s'enclenche correctement.

Une mauvaise installation du bloc-piles peut endommager des composants internes.



b. Retrait du bloc-piles :

Appuyez sur le bouton de déverrouillage situé à l'avant du bloc-piles pour dégager ce dernier. Tirez le bloc-piles et retirez-le de l'outil (figure 2).

**⚠ AVERTISSEMENT** Les outils à pile sont toujours en état de fonctionnement. Par conséquent, le sélecteur de sens de rotation (serrage/vissage, verrouillage au centre, desserrage/dévissage) devrait toujours être verrouillé à la position centrale lorsque vous n'utilisez pas l'outil ou que vous le transportez à vos côtés.

## Sélecteur de sens de rotation (serrage/vissage, verrouillage au centre, desserrage/dévissage)

**⚠ AVERTISSEMENT** Lorsque vous avez terminé d'utiliser l'outil, placez le sélecteur de sens de rotation à la position « OFF » (arrêt), c'est-à-dire à la position de verrouillage au centre, pour aider à empêcher une mise en marche accidentelle pouvant causer des blessures graves.

L'outil est muni d'un sélecteur de sens de rotation situé au-dessus de l'interrupteur. Ce sélecteur est conçu pour changer le sens de rotation du foret et pour verrouiller la gâchette à la position « OFF » (arrêt), c'est-à-dire à la position de verrouillage au centre (figure 3).

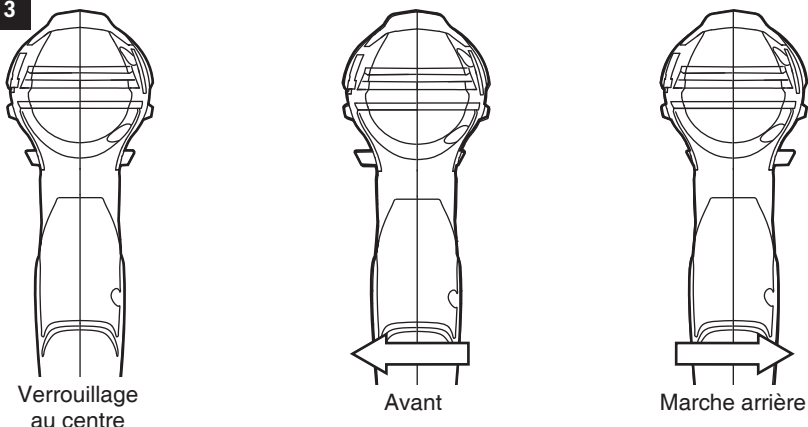
- Placez le sélecteur de sens de rotation à gauche de l'outil pour une rotation de serrage/vissage.
- Placez le sélecteur de sens de rotation à droite de l'outil pour une rotation de desserrage/dévissage.
- Placez l'interrupteur à la position « OFF » (arrêt) (verrouillage au centre) pour réduire les risques d'une mise en marche accidentelle lorsque la perceuse-visseuse n'est pas utilisée.

**AVIS :** Pour éviter d'endommager l'engrenage, attendez toujours l'arrêt complet de la perceuse-visseuse avant de modifier le sens de rotation.

**AVIS :** La perceuse-visseuse ne fonctionnera pas tant que le sélecteur de sens de rotation ne sera pas entièrement enclenché vers la gauche ou la droite.

Verrouillage au centre

Fig. 3

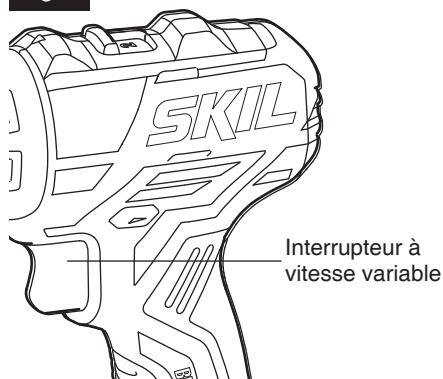


## Interrupteur à vitesse variable

L'outil est muni d'un interrupteur à vitesse variable. L'outil peut être allumé ou éteint en appuyant sur la gâchette ou en la relâchant.

La vitesse de l'outil dépend de la pression exercée sur l'interrupteur à vitesse variable. Si vous augmentez la pression, la vitesse augmente, et si vous la réduisez, la vitesse diminue (figure 4).

Fig. 4



## Interrupteur à vitesse variable

Interrupteur de la boîte à engrenage à deux vitesses L'outil est doté d'un engrenage à deux vitesses conçu pour percer ou visser à vitesse faible (1) ou à vitesse élevée (2). Un interrupteur à glissière situé sur le dessus de la perceuse permet de sectionner la vitesse faible (1) ou élevée (2)

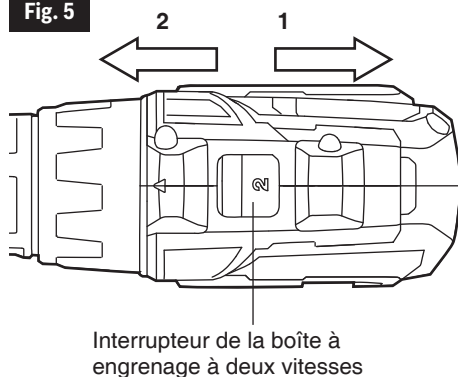
(figure 5).

La vitesse faible (1) fournit un couple élevé et une vitesse de perçage plus lente pour effectuer de gros travaux ou visser des vis. Utilisez la vitesse faible (1) pour commencer des trous sans pointeau, pour percer le métal, le plastique ou la céramique, ou pour des utilisations nécessitant un couple plus élevé.

La vitesse élevée (2) permet de percer rapidement et s'utilise pour les travaux plus légers. La vitesse élevée (2) convient mieux pour le perçage du bois et du bois composite ou pour une utilisation avec des accessoires de meulage ou de polissage.


**AVIS :** Pour éviter d'endommager l'engrenage, attendez toujours l'arrêt complet de la perceuse-visseuse avant de modifier la vitesse.

Fig. 5





## Bague de réglage du couple

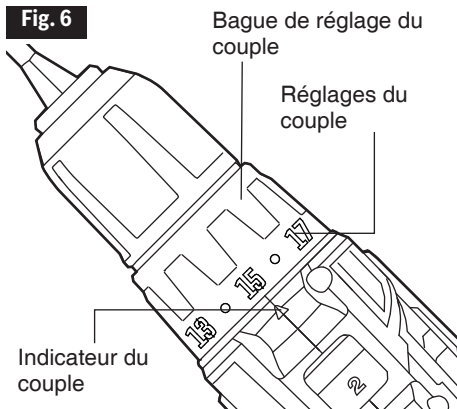
L'outil est doté de 17 réglages d'embrayage + 1 réglage supplémentaire. La valeur du couple augmente quand la bague de réglage du couple passe de 1 à 17. Le réglage de type perceuse «  » permet de verrouiller l'embrayage pour effectuer de gros travaux de perçage ou de vissage (figure 6).

Lorsque vous utilisez la perceuse-visseuse pour diverses tâches de vissage, augmentez ou diminuez le couple selon la tâche pour éviter d'endommager la tête des vis,

le filetage, la pièce, etc.

Le réglage adéquat dépend non seulement de la tâche, mais aussi du type d'embout, de pièce de fixation et de matériau que vous utilisez. En général, utilisez un couple plus élevé pour les grandes vis. Si le couple est trop élevé, vous pourriez endommager ou briser les vis. Pour les tâches plus délicates, comme le retrait d'une vis foirée, utilisez un réglage de couple peu élevé. Pour les travaux de perçage dans du bois franc, par exemple, utilisez un réglage de couple plus élevé.

**AVIS :** Ne modifiez pas le réglage du couple pendant que l'outil est en marche.



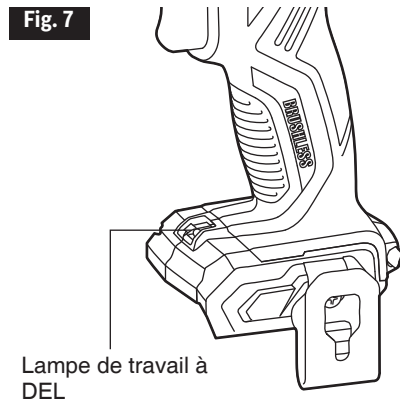
## Lampe de travail à DEL

L'outil est doté d'une lampe de travail à DEL, située sur la base de l'outil et qui s'allume lorsque vous appuyez sur l'interrupteur à vitesse variable. Cette caractéristique offre un éclairage supérieur de la surface la pièce à travailler dans les zones moins éclairées (figure 7).

La lampe de travail à DEL s'allume automatiquement à l'aide d'une légère pression sur l'interrupteur à vitesse variable avant le démarrage de l'outil, et s'éteint de 8 à 12 secondes après que vous avez relâché l'interrupteur à vitesse variable.

Lorsque l'outil ou le bloc-piles sont surchargés ou trop chauds, les capteurs internes éteignent l'outil. Si l'outil ou le bloc-piles sont surchargés, la lampe de travail à DEL clignote rapidement. Laissez l'outil refroidir pendant un moment ou placez l'outil et le bloc-piles, que vous aurez préalablement retiré, près d'un courant d'air pour qu'ils refroidissent.


Si la capacité du bloc-piles est faible, la lampe à DEL clignote lentement. Rechargez le bloc-piles.



## Installation et retrait des forets

**⚠ AVERTISSEMENT** Ne faites pas fonctionner la perceuse électrique en tenant le mandrin pour serrer ou desserrer un foret. En essayant de tenir le mandrin en rotation, vous pourriez vous brûler par friction ou vous blesser à la main.

L'outil est doté d'un mandrin sans clé servant à serrer ou à desserrer les forets dans la mâchoire du mandrin. Les flèches sur le mandrin indiquent le sens dans lequel vous devez tourner le corps du mandrin pour FERMER (serrer) ou OUVRIR (libérer) la mâchoire sur le foret.

- Verrouillez l'interrupteur de l'outil à la position « OFF » (arrêt) en plaçant le sélecteur de sens de rotation (serrage/ vissage, verrouillage au centre, desserrage/ dévissage) à la position centrale.
- Retirez le bloc-piles et tournez la bague de réglage du couple au réglage de type perceuse «  ».

### Pour installer le foret :

- En maintenant l'ouverture du mandrin face à vous, tournez le corps du mandrin dans le sens contraire des aiguilles d'une montre jusqu'à ce que l'ouverture soit approximativement égale au diamètre du foret.
- Petits forets : insérez un foret propre jusqu'à la hauteur des cannelures. Longs forets : insérez le foret aussi loin que possible. Fermez le mandrin en tournant le corps du mandrin dans le sens des aiguilles d'une montre, puis serrez-le fermement à la main (figure 8).

### Pour retirer le foret :

- Pour ouvrir le mandrin, tournez le corps du mandrin dans le sens contraire des aiguilles d'une montre tout en maintenant son extrémité face à vous.
- Retirez le foret.

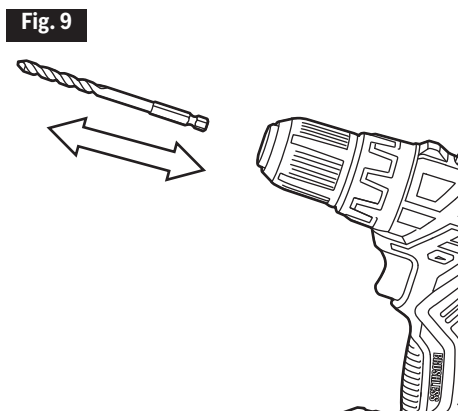
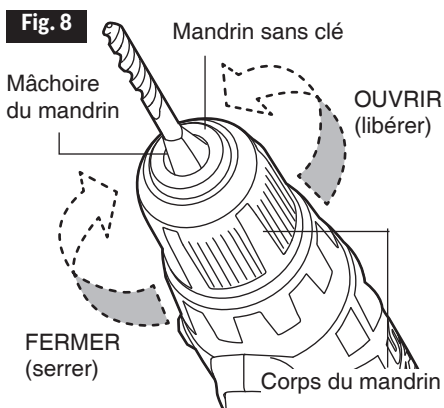
### Embouts hexagonaux de 1/4 po :

L'outil est muni d'une pince de serrage intégrée dans le mandrin qui facilite l'installation et le retrait d'embouts hexagonaux de 1/4 po.

- Verrouillez l'interrupteur en plaçant le sélecteur de sens de rotation à la position centrale.
- Retirez le bloc-piles.
- Installation d'un embout :  
Insérez l'embout dans la pince de serrage. Vous devriez entendre un déclic lorsque l'embout s'enclenche correctement.
- Retrait d'un embout :  
Retirez l'embout de la pince de serrage (figure 9).

**⚠ AVERTISSEMENT** Portez des gants protecteurs lorsque vous retirez l'embout de l'outil ou laissez l'embout refroidir avant de le retirer.

L'embout peut devenir chaud après une utilisation prolongée.



## Pince à ceinture amovible

L'outil est doté d'une pince à ceinture amovible pouvant être placée sur le côté gauche de l'outil afin de faciliter le transport (figure 10).

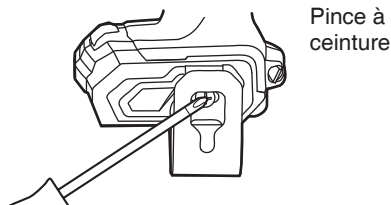
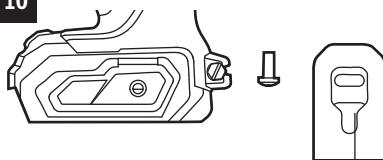
### Installation de la pince à ceinture sur l'outil :

- Retirez le bloc-piles de l'outil.
- Alignez la languette de la pince à ceinture sur le trou fileté situé à la base de l'outil.
- Insérez la vis et serrez-la fermement avec un tournevis.

### Retrait de la pince à ceinture de l'outil :

- Retirez le bloc-piles de l'outil.
- Utilisez un tournevis pour desserrer la vis qui relie la pince à ceinture à l'outil.
- Retirez la vis et la pince à ceinture.

Fig. 10



## Forets

Assurez-vous toujours que les forets ne présentent pas d'usure excessive. Utilisez seulement des forets affûtés et en bon état.

**Forets hélicoïdaux :** disponibles avec tige droite et tige courte pour le perçage du bois et les petits travaux de perçage du métal. Les forets haute vitesse pénètrent plus rapidement dans les matériaux durs et ont une durée de vie plus longue lorsqu'utilisés avec ces mêmes matériaux.

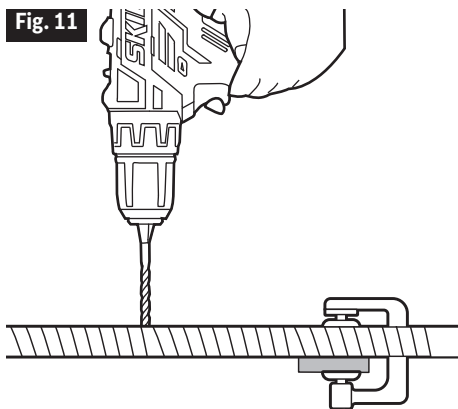
**Forets à pointe au carbure :** Utilisés pour le perçage de la pierre, du béton, du plâtre, du ciment et d'autres matériaux exceptionnellement durs et non métalliques. Appliquez une pression ferme et constante lorsque vous utilisez des forets à pointe au carbure.

## Perçage (figure 11)

**⚠ AVERTISSEMENT** Portez toujours des lunettes de sécurité ou des lunettes protectrices pourvues d'écrans latéraux lorsque vous utilisez un outil électrique ou projetez de la poussière. Portez aussi un masque antipoussière au besoin.

- Vérifiez le sélecteur de sens de rotation pour vous assurer d'avoir le bon réglage (serrage or desserrage).
- Fixez bien la pièce à percer dans un étau ou utilisez des dispositifs de serrage de façon à l'empêcher de tourner avec la rotation du foret.
- Tenez la perceuse fermement et placez le foret sur le point à percer.
- Appuyez sur l'interrupteur pour mettre l'outil en marche.
- Placez le foret sur la pièce, en exerçant une pression suffisante pour que le foret continue de percer. Ne forcez pas la perceuse et n'exercez pas une pression latérale qui pourrait élargir un trou.

Fig. 11



Laissez l'outil accomplir la tâche.

- f. Lorsque vous percez des surfaces dures et lisses, utilisez un pointeau pour marquer l'emplacement voulu du trou. Ainsi, le foret n'aura pas tendance à glisser et à se décentrer au démarrage.
- g. Lorsque vous percez du métal, appliquez une huile légère sur le foret pour empêcher la surchauffe. L'huile prolongera la durée de vie du foret en plus d'augmenter l'action de perçage.
- h. Si le foret se bloque dans la pièce ou si la perceuse cesse de fonctionner, arrêtez l'outil immédiatement. Retirez le foret de la pièce, déterminez la raison du blocage, puis rectifiez la situation.

**AVIS :** Deux règles s'appliquent au forage des matériaux durs. Premièrement, plus le matériau est dur, plus vous devez appliquer une pression sur l'outil. Deuxièmement, plus le matériau est dur, moins la vitesse doit être élevée. Si le trou à percer est relativement large, percez d'abord un trou plus petit, puis élargissez-le à la grosseur requise à l'aide d'un plus gros foret. Cette méthode s'avère souvent plus rapide.

## **Au-dessus :**

Perçage dans le bois Pour un meilleur rendement, utilisez des forets en métal haute vitesse ou des avant-crous pour le perçage du bois.

- a. Commencez le perçage à vitesse très lente pour empêcher le foret de glisser à côté du point de départ.
- b. Augmentez la vitesse à mesure que le foret mord dans le matériau.
- c. Lorsque vous percez des trous débouchants, placez un bloc de bois derrière la pièce pour empêcher la formation d'éclats ou de bords rabattus sur la partie arrière du trou.

**AVIS :** Les forets peuvent surchauffer s'ils ne sont pas retirés plusieurs fois afin d'enlever les copeaux dans les cannelures.

## **Perçage dans le métal**

Pour un rendement optimal lorsque vous percez du métal, utilisez des forets haute vitesse en acier.

- a. Lorsque vous percez du métal, appliquez une huile légère sur le foret pour empêcher la surchauffe. L'huile prolongera la durée de vie du foret en plus d'augmenter l'action de perçage.
- b. Commencez le perçage à vitesse très lente pour empêcher le foret de glisser à côté du point de départ.
- c. Gardez une vitesse et une pression permettant de couper sans faire surchauffer le foret. Une trop forte pression aura pour effet :
  - de faire surchauffer l'outil;
  - d'user les roulements;
  - de plier ou de brûler les forets;
  - de produire des trous décentrés ou de forme irrégulière.

## **Perçage dans la maçonnerie**

Pour un rendement optimal lorsque vous percez des trous dans de la brique, des carreaux, du béton, etc., utilisez des forets de maçonnerie à pointe en carbure.

- a. Gardez une vitesse et une pression permettant de couper sans faire surchauffer le foret ou l'outil. Une trop forte pression aura pour effet :
  - de faire surchauffer l'outil;
  - d'user les roulements;
  - plier ou de brûler les forets;
  - de créer des trous décentrés ou de forme irrégulière.

- b. Pour obtenir de meilleurs résultats en perçant de la brique, exercez une légère pression à une vitesse moyenne.
- c. Exercez une pression supplémentaire sur les matériaux durs, comme le béton.
- d. Lorsque vous percez des trous dans un carreau, exercez-vous d'abord sur une retaille pour déterminer la vitesse et la pression adéquates.
- e. Commencez le perçage à vitesse très lente pour empêcher le foret de glisser à côté du point de départ.

## Serrage d'écrous et de boulons

**⚠ AVERTISSEMENT** Portez toujours des lunettes de sécurité ou des lunettes protectrices pourvues d'écrans latéraux lorsque vous utilisez un outil électrique ou projetez de la poussière. Portez aussi un masque anti-poussière au besoin.

Utilisez la commande à vitesse variable prudemment lorsque vous serrez des écrous et des boulons à l'aide d'un ensemble de douilles. La façon de faire idéale consiste à démarrer lentement et à augmenter la vitesse à mesure que l'écrou ou le boulon est vissé. Serrez bien l'écrou ou le boulon en ralentissant la vitesse, jusqu'à l'arrêt de la perceuse. Si vous ne respectez pas cette procédure, l'outil aura tendance à tourner dans vos mains une fois que l'écrou ou le boulon est en place.

## ENTRETIEN

**⚠ AVERTISSEMENT** Pour éviter des blessures graves, retirez toujours le bloc-pile avant de procéder à l'entretien ou au nettoyage de l'outil.

### Entretien

**⚠ AVERTISSEMENT** L'entretien préventif effectué par une personne non autorisée peut avoir comme résultat de déplacer les fils et les composants internes de l'outil, ce qui pourrait constituer un grave danger. Tout entretien d'outil devrait être effectué dans un centre de service de l'usine de SKIL ou dans un centre de service autorisé de SKIL.

### Entretien général

**⚠ AVERTISSEMENT** Lorsque vous procédez à l'entretien de l'outil, utilisez uniquement des pièces de remplacement identiques à celles d'origine. L'utilisation de toute autre pièce pourrait endommager l'outil ou être une source de danger.

**REMARQUE :** Inspectez périodiquement l'intégralité de l'article pour y déceler des pièces endommagées, manquantes ou lâches telles que des vis, des écrous, des boulons, des capuchons, etc. Resserrez fermement toutes les fixations et tous les capuchons et ne faites pas fonctionner cet article tant que toutes les pièces manquantes ou endommagées n'ont pas été remplacées. Veuillez communiquer avec le service à la clientèle ou avec un centre de service autorisé pour obtenir de l'aide.

### Nettoyage

**⚠ AVERTISSEMENT** L'utilisation d'air sec comprimé est la meilleure technique de nettoyage. **Portez toujours des lunettes de sécurité lorsque vous nettoyez des outils avec de l'air comprimé.** Les orifices de ventilation et les interrupteurs doivent être propres et exempts de toute substance étrangère. Ne tentez pas de nettoyer l'outil en insérant des objets pointus dans les ouvertures.

**⚠ AVERTISSEMENT** Certains agents nettoyants et solvants peuvent endommager les pièces en plastique. Notamment : l'essence, le tétrachlorure de carbone, les solvants nettoyants chlorés, l'ammoniaque et les détergents ménagers qui contiennent de l'ammoniaque.

### Rangement

Rangez l'outil à l'intérieur dans un endroit inaccessible aux enfants. Rangez-le à l'écart des agents corrosifs.

Problème	Cause	Solutions
L'outil ne fonctionne pas.	<ol style="list-style-type: none"><li>1. Le bloc-pile est déchargé.</li><li>2. Le bloc-piles n'est pas installé correctement.</li><li>3. L'interrupteur est brûlé.</li></ol>	<ol style="list-style-type: none"><li>1. Chargez le bloc-pile.</li><li>2. Assurez-vous que le bloc-piles est bien fixé à l'outil et bien verrouillé.</li><li>3. Faites remplacer l'interrupteur dans un centre de service autorisé par SKIL.</li></ol>
La lampe de travail à DEL clignote rapidement.	<ol style="list-style-type: none"><li>1. L'outil est surchargé.</li><li>2. L'outil est trop chaud.</li></ol>	<ol style="list-style-type: none"><li>1. Relâchez l'interrupteur.</li><li>2. Faites refroidir l'outil près d'un courant d'air.</li></ol>

# GARANTIE LIMITÉE DE L'OUTIL SKIL

## GARANTIE LIMITÉE DE 5 ANS

Chervon North America, Inc. (le « vendeur ») garantit à l'acheteur initial seulement que tous les OUTILS SKIL destinés à un usage résidentiel seront exempts de défauts de matériaux ou de fabrication pour une période de cinq ans à compter de la date d'achat si l'acheteur initial enregistre l'article dans les 30 jours suivant la date d'achat. LES PILES ET LES CHARGEURS sont garantis pour une période de 2 ans. L'enregistrement de l'article peut être effectué en ligne au [www.Registtermyskil.com](http://www.Registtermyskil.com). De plus, nous recommandons aux acheteurs initiaux de conserver leur reçu comme preuve d'achat. LA PÉRIODE DE GARANTIE DE CINQ ANS SUR LES OUTILS EST CONDITIONNELLE À L'ENREGISTREMENT DE L'ARTICLE DANS LES 30 JOURS SUIVANT LA DATE D'ACHAT. Si les acheteurs initiaux n'enregistrent pas leur article dans le délai prévu, la garantie limitée sur les outils électriques susmentionnée ne s'appliquera que pour une période de trois ans. Toutes les piles et tous les chargeurs demeureront couverts par la garantie limitée de deux ans.

Nonobstant les dispositions précédentes, si un outil SKIL destiné à un usage résidentiel est utilisé à des fins industrielles, professionnelles ou commerciales, la garantie susmentionnée ne s'appliquera que pour une période de quatre-vingt-dix (90) jours, que l'article ait été enregistré ou non.

LA SEULE OBLIGATION DU VENDEUR ET VOTRE RECOURS EXCLUSIF au titre de cette garantie limitée et, dans les limites permises par la loi, de toute garantie ou condition prévue par la loi, est la réparation ou le remplacement, sans frais, des pièces qui présentent un défaut matériel ou de fabrication, qui n'ont pas fait l'objet d'un usage abusif ou inapproprié et qui n'ont pas été réparées par des personnes autres que le vendeur ou un technicien d'un centre de service autorisé. Pour effectuer une réclamation au titre de la présente garantie limitée, vous devez retourner, port payé, l'article en entier à un centre de service de l'usine de SKIL ou à un centre de service autorisé. Pour communiquer avec un centre de service autorisé de SKIL Power Tools, veuillez visiter le [www.Registtermyskil.com](http://www.Registtermyskil.com) ou composer le 1 877 SKIL-999 (1 877 754-5999).

CETTE GARANTIE LIMITÉE NE S'APPLIQUE PAS AUX ACCESSOIRES TELS QUE LES LAMES DE SCIE CIRCULAIRE, LES FORETS, LES FRAISES À TOUPIE, LES LAMES DE SCIE SAUTEUSE, LES COURROIES DE PONÇAGE, LES MEULES ET LES AUTRES ACCESSOIRES CONNEXES.

TOUTE GARANTIE IMPLICITE APPLICABLE À UN ARTICLE EST LIMITÉE À UNE DURÉE ÉGALE À LA DURÉE DES GARANTIES EXPRESSES APPLICABLES À UN TEL ARTICLE, COMME IL EST INDIQUÉ AU PREMIER PARAGRAPHE DE CETTE GARANTIE. CERTAINS ÉTATS DES ÉTATS-UNIS ET CERTAINES PROVINCES DU CANADA NE PERMETTENT PAS DE LIMITATIONS QUANT À LA DURÉE DES GARANTIES IMPLICITES, DE SORTE QUE LES LIMITATIONS INDIQUÉES CI-DESSUS PEUVENT NE PAS S'APPLIQUER À VOUS.

LE VENDEUR NE SERA EN AUCUN CAS TENU RESPONSABLE DES DOMMAGES ACCESSOIRES OU CONSÉCUTIFS (Y COMPRIS, SANS TOUTEFOIS S'Y LIMITER, DES PERTES DE PROFIT) RÉSULTANT DE LA VENTE OU DE L'USAGE DE CET ARTICLE. CERTAINS ÉTATS DES ÉTATS-UNIS ET CERTAINES PROVINCES DU CANADA NE PERMETTENT PAS L'EXCLUSION OU LA LIMITATION DES DOMMAGES ACCESSOIRES OU CONSÉCUTIFS, DE SORTE QUE LA LIMITATION OU L'EXCLUSION SUSMENTIONNÉE POURRAIT NE PAS S'APPLIQUER À VOUS.

CETTE GARANTIE LIMITÉE VOUS CONFÈRE DES DROITS PRÉCIS. IL EST POSSIBLE QUE VOUS DISPOSIEZ ÉGALEMENT D'AUTRES DROITS, QUI VARIENT D'UN ÉTAT, D'UNE PROVINCE OU D'UN PAYS À L'AUTRE.

CETTE GARANTIE LIMITÉE S'APPLIQUE UNIQUEMENT AUX ARTICLES VENDUS AUX ÉTATS-UNIS D'AMÉRIQUE, AU CANADA ET À L'ÉTAT LIBRE DE PORTO RICO. POUR CONNAÎTRE LA COUVERTURE DE LA GARANTIE DANS D'AUTRES PAYS, VEUILLEZ COMMUNIQUER AVEC VOTRE DÉTAILLANT OU IMPORTATEUR SKIL LOCAL.

© Chervon North America, 1203 E. Warrenville Rd, Naperville, IL 60563.

07/18



# ÍNDICE

Advertencias de seguridad general en el manejo de herramientas eléctricas .....	42-44
Advertencias de seguridad para el taladro/destornillador .....	44
Símbolos .....	45-48
Conozca su taladro/destornillador .....	49
Especificaciones .....	49
Instrucciones de funcionamiento .....	50-57
Mantenimiento .....	58
Solución de problemas .....	59
Garantía limitada de la herramienta inalámbrica SKIL .....	60-61

## **⚠ ADVERTENCIA**

- Parte del polvo causado por el lijado eléctrico, el serruchado, la trituración, el taladro y otras actividades de construcción contiene sustancias químicas que, según el estado de California, causan cáncer, defectos congénitos u otros daños reproductivos. Algunos ejemplos de estos productos químicos son:
  - Plomo de pinturas a base de plomo.
  - Sílice cristalina de ladrillos, cemento y otros productos de mampostería.
  - Arsénico y cromo de madera tratada con químicos.
- El riesgo que corre debido a la exposición a estos químicos varía según la frecuencia con que realiza este tipo de trabajo. Para reducir la exposición a estas sustancias químicas:
  - Trabaje en un área bien ventilada.
  - Trabaje con equipo de seguridad aprobado, como las mascarillas antipolvo especialmente diseñadas para filtrar partículas microscópicas.
  - Evite estar en contacto prolongado con el polvo provocado por el lijado, el aserrado, la trituración y el taladrado, y otras actividades de construcción. Use ropa protectora y lave todas las áreas expuestas del cuerpo con agua y jabón. Si permite que el polvo llegue a su boca o a sus ojos, o que caiga sobre la piel, podría fomentar la absorción de productos químicos dañinos.

# ADVERTENCIAS DE SEGURIDAD GENERAL EN EL MANEJO DE HERRAMIENTAS ELÉCTRICAS

**⚠ ADVERTENCIA** Lea todas las advertencias de seguridad, las instrucciones, las ilustraciones y las especificaciones que se incluyen esta herramienta eléctrica. No seguir todas las instrucciones que se detallan a continuación podría provocar descargas eléctricas, incendios o lesiones graves.

## GUARDE TODAS LAS ADVERTENCIAS E INSTRUCCIONES PARA REFERENCIA FUTURA.

El término “herramienta eléctrica” que aparece en las advertencias se refiere a la herramienta eléctrica que se conecta a la línea principal (con cable) o a la herramienta eléctrica que funciona con batería (inalámbrica).

### Seguridad en el área de trabajo

**Mantenga el área de trabajo limpia y bien iluminada.** Las áreas desordenadas u oscuras aumentan las posibilidades de accidentes.

**No utilice herramientas eléctricas en atmósferas en las que exista riesgo de explosión, como por ejemplo en presencia de líquidos inflamables, gases o polvo.** Las herramientas eléctricas producen chispas que podrían encender el polvo o el humo.

**Mantenga a los niños y transeúntes alejados mientras opera una herramienta eléctrica.** Las distracciones pueden hacerle perder el control.

### Seguridad eléctrica

**Los enchufes de las herramientas eléctricas deben encajar en el tomacorriente. Nunca modifique el enchufe de ninguna manera. No utilice ningún enchufe adaptador con herramientas eléctricas con puesta a tierra.** Los enchufes sin modificaciones y que encajan en los tomacorrientes reducen el riesgo de descarga eléctrica.

**Evite el contacto del cuerpo con superficies con puesta a tierra, como tuberías, radiadores, estufas o refrigeradores.** Existe un riesgo adicional de descarga eléctrica si su cuerpo tiene puesta a tierra.

**No exponga las herramientas eléctricas a la lluvia o a condiciones de humedad.** Si ingresa agua en una herramienta eléctrica, el riesgo de descarga eléctrica aumentará.

**No maltrate el cable. Nunca use el cable para transportar, jalar ni desenchufar la herramienta eléctrica. Mantenga el cable alejado del calor, el aceite, los bordes filosos o las piezas en movimiento.** Los cables dañados o enredados aumentan el riesgo de descarga eléctrica.

**Cuando utilice una herramienta eléctrica en exteriores, use una extensión eléctrica adecuada para uso en exteriores.** El uso de un cable apto para uso en exteriores reduce el riesgo de descarga eléctrica.

**Si debe utilizar una herramienta eléctrica en un área húmeda, use un suministro protegido con un interruptor de circuito de falla de puesta a tierra (GFCI, por sus siglas en inglés).** El uso de un interruptor GFCI disminuye el riesgo de descarga eléctrica.

### Seguridad personal

**Manténgase alerta, preste atención a lo que hace y utilice el sentido común cuando utilice una herramienta eléctrica. No utilice una herramienta eléctrica si está cansado o bajo los efectos de drogas, alcohol o medicamentos.** Un momento de desatención mientras opera herramientas eléctricas puede provocar lesiones personales graves.

**Use un equipo de protección personal. Use siempre lentes de protección.** Los equipos de protección, como mascarillas antipolvo, zapatos de seguridad antideslizantes, cascos protectores o protección auditiva, utilizados para las condiciones adecuadas, disminuyen el riesgo de lesiones personales.

**Evite un arranque accidental. Asegúrese de que el interruptor esté en la posición de apagado antes de conectar la herramienta a la fuente de alimentación o la batería, o antes de levantarla o transportarla.** Transportar herramientas eléctricas con el dedo en el interruptor o enchufar herramientas eléctricas que tienen el interruptor encendido aumenta las posibilidades de sufrir accidentes.

**Retire todas las llaves de ajuste o llaves inglesas antes de encender la herramienta eléctrica.** Si se deja una llave inglesa o una llave conectada a una pieza giratoria de la herramienta eléctrica, se podrían producir lesiones personales.

**No se extienda demasiado. Mantenga una postura y un equilibrio adecuados en todo momento.** Esto permite un mejor control de la herramienta eléctrica en situaciones inesperadas.

**Use ropa adecuada. No use ropa holgada ni joyas. Mantenga el cabello, la ropa y los guantes lejos de las piezas en movimiento.** La ropa holgada, las joyas o el cabello largo pueden quedar atrapados en las piezas en movimiento.

**Si se proporcionan dispositivos para la conexión de instalaciones de extracción y recolección de polvo, asegúrese de que se conecten y se usen debidamente.** La recolección de polvo puede disminuir los peligros relacionados con el polvo.

**No permita que la familiaridad del uso frecuente de las herramientas lo haga no tener en cuenta los principios de seguridad de las herramientas.** Un descuido puede ocasionar una lesión grave en cuestión de segundos.

## **Uso y cuidado de las herramientas eléctricas**

**No fuerce la herramienta eléctrica. Utilice la herramienta eléctrica adecuada para su tarea.** La herramienta eléctrica adecuada realizará un trabajo más seguro y de mejor calidad al ritmo para el que se diseñó.

**No utilice la herramienta eléctrica si el interruptor no la enciende o apaga.** Cualquier herramienta eléctrica que no pueda controlarse con el interruptor es peligrosa y debe repararse.

**Desconecte el enchufe de la fuente de alimentación o retire el paquete de baterías de la herramienta eléctrica (si es posible) antes de realizar cualquier ajuste, cambiar accesorios o almacenar herramientas eléctricas.** Este tipo de medidas de seguridad preventivas reduce el riesgo de arranques accidentales de la herramienta eléctrica.

**Almacene las herramientas eléctricas que no estén en uso fuera del alcance de los niños y no permita que personas no familiarizadas con la herramienta o estas instrucciones la operen.** Las herramientas eléctricas son peligrosas en manos de usuarios sin capacitación.

**Realice mantenimiento a las herramientas eléctricas y a los accesorios. Revise si hay piezas móviles desalineadas o torcidas, si hay piezas rotas y cualquier otra condición que pueda afectar el funcionamiento de la herramienta eléctrica. Si se daña la herramienta eléctrica, hágala reparar antes de usarla.** Muchos accidentes son producto del mantenimiento incorrecto de las herramientas eléctricas.

**Mantenga las herramientas de corte afiladas y limpias.** Las herramientas de corte que se mantienen adecuadamente, con sus bordes de corte afilados, son menos propensas a trabarse y son más fáciles de controlar.

**Use la herramienta eléctrica, los accesorios, las brocas, etc. de acuerdo con estas instrucciones, considerando las condiciones de trabajo y el trabajo que desea realizar.** El uso de la herramienta eléctrica en operaciones distintas para las que fue diseñada podría crear una situación de peligro.

**Mantenga las manijas y las superficies de agarre secas, limpias y sin aceite ni grasa.** Las manijas y superficies de agarre húmedas no permiten una manipulación segura ni controlar la herramienta en situaciones inesperadas.

## Uso y cuidado de herramientas con batería

**Recargue solo con el cargador especificado por el fabricante.** Un cargador adecuado para un tipo de paquete de baterías puede crear un riesgo de incendio cuando se usa con otro paquete de baterías.

**Use las herramientas eléctricas solo con los paquetes de baterías específicamente designados para ellas.** El uso de cualquier otro paquete de baterías puede crear un riesgo de lesión e incendio.

**Cuando el paquete de baterías no está en uso, aléjelo de objetos metálicos, como sujetapapeles, monedas, llaves, clavos, tornillos u otros objetos metálicos pequeños que pudieran crear una conexión entre los terminales.** Es posible que conectar los terminales de la batería entre sí produzca quemaduras o un incendio.

**En condiciones de maltrato, es posible que salga líquido de la batería. Evite el contacto. Si se produce un contacto accidental, enjuague con agua. Si el líquido entra en contacto con los ojos, solicite atención médica adicional.** El líquido que sale de la batería puede provocar irritación o quemaduras.

**No utilice un paquete de baterías ni una herramienta si están dañadas o modificadas.** Las baterías dañadas o modificadas pueden mostrar una conducta impredecible que ocasione incendios, explosiones o riesgo de lesión.

**No exponga el paquete de baterías ni la herramienta al fuego o a una temperatura excesiva.** La exposición al fuego o a temperaturas por encima de los 265 °F podría causar una explosión.

**Siga todas las instrucciones de carga y no cargue el paquete de baterías ni las herramientas fuera del rango de temperatura especificado en las instrucciones.** La carga inadecuada o a temperaturas fuera del rango especificado podría dañar la batería y aumentar el riesgo de incendio.

## Reparación

**Permita que solo una persona capacitada repare la herramienta eléctrica, mediante el uso solo de piezas de repuesto idénticas.** Esto mantendrá la seguridad de la herramienta eléctrica.

**Nunca realice mantenimiento a los paquetes de batería.** Solo el fabricante o proveedores de servicio autorizados pueden realizar el mantenimiento de los paquetes de baterías.

## ADVERTENCIAS DE SEGURIDAD DEL TALADRO

**Instrucciones de seguridad para todo tipo de operaciones:**

**Sostenga la herramienta eléctrica por las superficies de agarre aisladas cuando realice una operación en la que la herramienta de corte pueda entrar en contacto con cableado oculto o con su propio cable.** Es posible que un accesorio de corte que entre en contacto con un cable “energizado” también “energice” las piezas de metal expuestas de la herramienta eléctrica y podría provocar una descarga eléctrica al operador.

**Instrucciones de seguridad para el uso de brocas de taladro largas:**

**Nunca opere a una velocidad superior a la velocidad nominal máxima de la broca.** A velocidades más altas, es probable que la broca se doble si se permite que gire libremente sin entrar en contacto con la pieza de trabajo, causando lesiones personales.

**Empiece siempre a taladrar a baja velocidad y con la punta de la broca en contacto con la pieza de trabajo.** A velocidades más altas, es probable que la broca se doble si se permite que gire libremente sin entrar en contacto con la pieza de trabajo, causando lesiones personales.





**Aplique presión solo en línea directa con la broca y no aplique presión excesiva.** Las brocas pueden doblarse y causar roturas o pérdida del control, ocasionando lesiones personales.

# SÍMBOLOS

## Símbolos de seguridad

El objetivo de los símbolos de seguridad es captar su atención ante posibles peligros. Los símbolos de seguridad y las explicaciones que se dan merecen su atención y comprensión cuidadosa. Las advertencias del símbolo no eliminan por sí mismas ningún peligro. Las instrucciones y las advertencias que se dan no son sustitutos de las medidas adecuadas de prevención de accidentes.

**⚠ ADVERTENCIA** Asegúrese de leer y de comprender todas las instrucciones de seguridad en este manual del propietario, incluidos todos los símbolos de alerta de seguridad como “PELIGRO”, “ADVERTENCIA” y “PRECAUCIÓN” antes de usar esta herramienta. El incumplimiento de las siguientes instrucciones puede provocar descargas eléctricas, incendios y/o lesiones personales graves.

Las definiciones que se ofrecen a continuación describen el nivel de gravedad de cada símbolo. Lea el manual y preste atención a dichos símbolos.	
	Este es el símbolo de advertencia de seguridad. Se utiliza para advertirlo de los peligros de posibles lesiones personales. Cumpla con todos los mensajes de seguridad a continuación de este símbolo para evitar posibles lesiones o consecuencias fatales.
	PELIGRO indica una situación de peligro que, de no evitarse, ocasionará la muerte o lesiones graves.
	ADVERTENCIA indica una situación potencialmente peligrosa que, de no evitarse, puede ocasionar la muerte o lesiones graves.
	PRECAUCIÓN, se usa con el símbolo de advertencia de seguridad e indica una situación peligrosa que, de no evitarse, puede causar lesiones menores o moderadas.

## Mensajes de prevención de daños e información

Estos mensajes informan al usuario sobre informaciones y/o instrucciones importantes que, de no seguirse, pueden causar daños al equipo o la propiedad. Antes de cada mensaje, aparece la palabra “AVISO”, como en el ejemplo a continuación:









**AVISO:** si no se siguen estas instrucciones se pueden producir daños al equipo o la propiedad.






**⚠ ADVERTENCIA** Durante el funcionamiento de cualquier herramienta eléctrica, pueden entrar objetos extraños a los ojos y causar graves daños oculares. Use siempre lentes o gafas de seguridad con protecciones laterales y, cuando sea necesario, un protector facial que cubra todo el rostro antes de comenzar a operar una herramienta eléctrica. Recomendamos usar una máscara de seguridad de visión amplia sobre los lentes o las gafas de seguridad estándar con protección lateral. Siempre use lentes de protección que cumplan con la norma ANSI Z87.1.

## SÍMBOLOS (CONTINUACIÓN)

**IMPORTANTE:** algunos de los siguientes símbolos pueden aparecer en sus herramientas. Obsérvelos y conozca su significado. La interpretación correcta de estos símbolos le permitirá utilizar la herramienta de manera eficaz y segura.

Símbolo	Nombre	Designación/Explicación
V	Voltios	Voltaje (potencial)
A	Amperios	Corriente
Hz	Hertz	Frecuencia (ciclos por segundo)
W	Vatios	Alimentación
kg	Kilogramos	Peso
min	Minutos	Hora
s	Segundos	Hora
Wh	Vatio por horas	Capacidad de la batería
Ah	Amperios por hora	Capacidad de la batería
∅	Diámetro	Tamaño de las brocas para taladro, piedras de amolar, etc.
$n_0$	Velocidad sin carga	Velocidad de rotación sin carga
n	Rango de velocidad	Velocidad máxima alcanzable
.../min	Revoluciones o pasadas por minuto	Revoluciones, pasadas, velocidad de superficie, órbitas, etc. por minuto
0	Posición de apagado	Velocidad cero, torsión cero...
1,2,3,... I,II,III,	Ajustes del selector	Ajustes de velocidad, par o posición. Un número mayor significa mayor velocidad
	Selector de regulación continua con apagado	La velocidad aumenta desde el ajuste 0
	Flecha	Acción en la dirección de la flecha
	Corriente alterna	Tipo o característica de corriente
	Corriente directa	Tipo o característica de corriente
	Corriente alterna o directa	Tipo o característica de corriente
	De clase II para construcción	Designa las herramientas de construcción con doble aislamiento
	Terminal de tierra	Terminal de conexión a tierra
	Sello de iones de litio de RBRC	Designa el programa de reciclaje de baterías de iones de litio

Símbolo	Nombre	Designación/Explicación
	Sello de níquel-cadmio de RBRC	Designa el programa de reciclaje de baterías de níquel-cadmio
	Símbolo de lectura del manual	Indica al usuario que lea el manual
	Símbolo de use de lentes de protección	Siempre use gafas o lentes de seguridad con protecciones laterales y una careta protectora cuando opere este producto

## SÍMBOLOS (INFORMACIÓN DE CERTIFICACIÓN)

**IMPORTANTE:** algunos de los siguientes símbolos de información de certificación pueden aparecer en sus herramientas. Obsérvelos y conozca su significado. La interpretación correcta de estos símbolos le permitirá utilizar la herramienta de manera eficaz y segura.

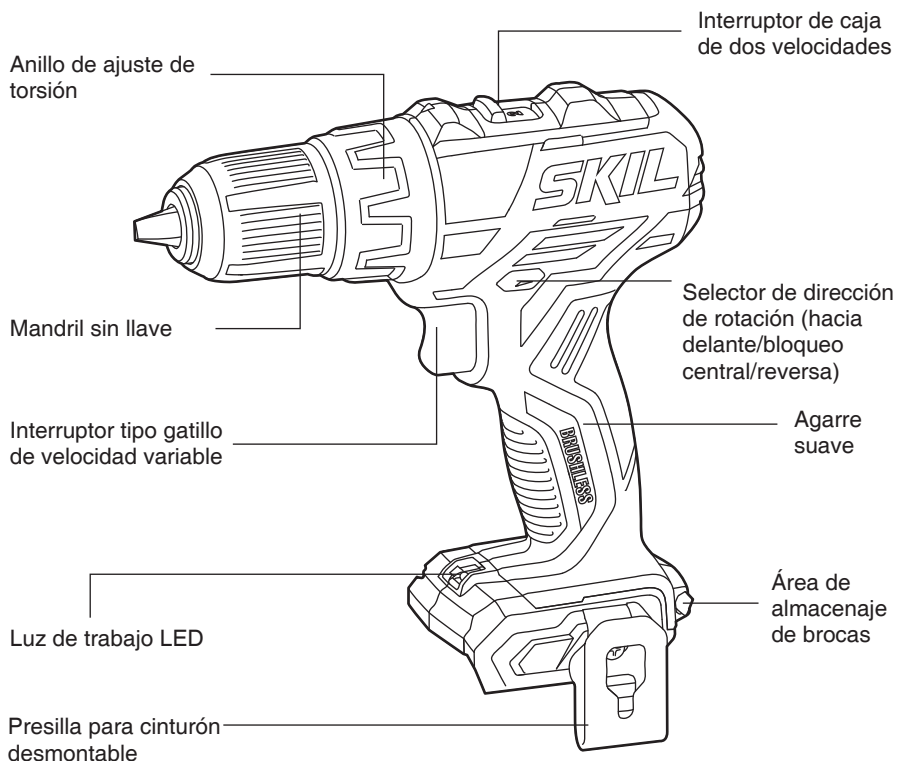
Símbolo	Designación/Explicación
	Este símbolo designa que esta herramienta está incluida en la lista de Underwriters Laboratories.
	Este símbolo designa que esta herramienta es reconocida por Underwriters Laboratories.
	Este símbolo designa que esta herramienta está incluida en la lista de Underwriters Laboratories, conforme a las normas de Estados Unidos y Canadá.
	Este símbolo designa que esta herramienta está incluida en la lista de Canadian Standards Association.
	Este símbolo designa que esta herramienta está incluida en la lista de Canadian Standards Association, conforme a las normas de Estados Unidos y Canadá.
	Este símbolo designa que esta herramienta está incluida en la lista de Intertek Testing Services, conforme a las normas de Estados Unidos y Canadá.
	Este símbolo designa que esta herramienta cumple con las normas NOM de México.



# CONOZCA SU TALADRO/DESTORNILLADOR

## Taladro/destornillador sin escobillas de 12 V

Fig. 1



## ESPECIFICACIONES

Tensión nominal	12 VCC
Tamaño del mandril	1/2", con cabezal hexagonal integrado de 1/4" para sujetar las puntas de destornillador
Velocidad sin carga	0~450/0~1700 RPM
Sistema de elevación	17 posiciones + modo de perforación
Temperatura de trabajo recomendada:	14~104 °F (-10~40 °C)
Temperatura de almacenaje recomendada:	32~104 °F (0~40 °C)

# INSTRUCCIONES DE FUNCIONAMIENTO

**⚠ ADVERTENCIA** Para reducir el riesgo de incendios, lesiones personales y daños al producto por un cortocircuito, nunca sumerja la herramienta, el paquete de baterías ni el cargador en líquidos ni permita que los líquidos ingresen a estos. Los líquidos corrosivos o conductores, como el agua de mar, algunos productos químicos industriales y el blanqueador o los productos que contienen blanqueador, pueden generar un cortocircuito.

**⚠ ADVERTENCIA** Si hay piezas dañadas o faltantes, no utilice el producto hasta que las haya reemplazado. El uso de este producto con piezas dañadas o faltantes podría causar lesiones personales graves.

**⚠ ADVERTENCIA** No intente modificar este taladro/destornillador ni crear accesorios que no sean recomendados para utilizar con este taladro/destornillador. Cualquier alteración o modificación se considera un uso indebido y puede causar una condición peligrosa que a su vez puede ocasionar lesiones graves.

**⚠ ADVERTENCIA** Para evitar un arranque accidental, que podría causar lesiones personales graves, retire siempre el paquete de baterías del taladro/destornillador cuando esté ensamblando las piezas.

Este taladro/destornillador inalámbrico se debe usar solamente con los paquetes de baterías y el cargador que se indican a continuación:

Paquete de baterías		Cargador
2Ah	4Ah	
SKIL BY500101	SKIL BY519801	SKIL QC535701

**AVISO:** consulte el manual de la batería y del cargador para obtener información detallada sobre el funcionamiento.

## Cómo fijar y retirar el paquete de baterías

Coloque el selector de dirección de rotación (hacia delante/bloqueo central/hacia atrás) en la posición central para así bloquear el interruptor tipo gatillo en la posición de “apagado” de la herramienta.

- Para conectar el paquete de baterías:  
Alinee la varilla elevada del paquete de baterías con las ranuras de la herramienta y luego deslice el paquete de baterías en la herramienta (Fig. 2).

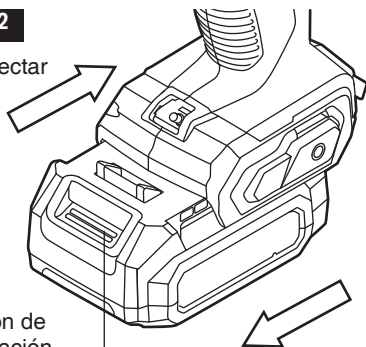
**⚠ PRECAUCIÓN** Al colocar el paquete de baterías en la herramienta, asegúrese de que la varilla elevada del paquete de baterías se alinee con la ranura dentro de la herramienta y de que los pestillos encajen en su lugar adecuadamente. La conexión inadecuada del paquete de baterías puede provocar daños a los componentes internos.

Fig. 2

Conectar

Botón de liberación de las baterías

Desconectar



b. Para desconectar el paquete de baterías:

Para desconectar el paquete de baterías, presione el botón de liberación ubicado en la parte frontal del paquete de baterías. Jale el paquete de baterías y sáquelo de la herramienta (Fig.2).

**⚠ ADVERTENCIA** Las herramientas a batería siempre están en condiciones de funcionamiento. Por lo tanto, el selector de dirección de rotación (hacia delante/bloqueo central/reversa) siempre debe estar bloqueado en la posición central cuando la herramienta no se encuentre en uso o al transportarla a su lado.

## Selector de dirección de rotación (hacia delante/bloqueo central/reversa)

**⚠ ADVERTENCIA** Después de utilizar la herramienta, bloquee el selector de dirección de rotación en la posición de “apagado” (bloqueo central) para evitar arranques accidentales y posibles lesiones.

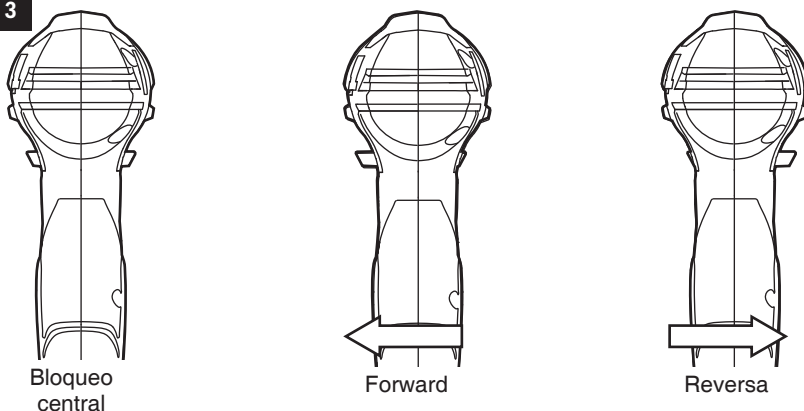
Su herramienta está equipada con un selector de dirección de rotación ubicado sobre el interruptor tipo gatillo. Este selector está diseñado para cambiar el sentido de rotación de la broca y para bloquear el gatillo en la posición de “apagado” (bloqueo central) (Fig.3).

- Coloque el selector de dirección de rotación (C) a la izquierda de la herramienta para que gire hacia delante.
- Coloque el selector de dirección de rotación a la derecha de la herramienta para que gire en reversa.
- Coloque el interruptor en la posición “OFF” (APAGADO) (bloqueo central) para reducir la posibilidad de encendido accidental cuando no se está usando.

**AVISO:** para evitar que los engranajes se dañen, siempre deje que el taladro/destornillador se detenga por completo antes de cambiar la dirección de la rotación.

**AVISO:** el taladro/destornillador no funcionará a menos que el selector de dirección de rotación esté completamente posicionado a la izquierda o la derecha.

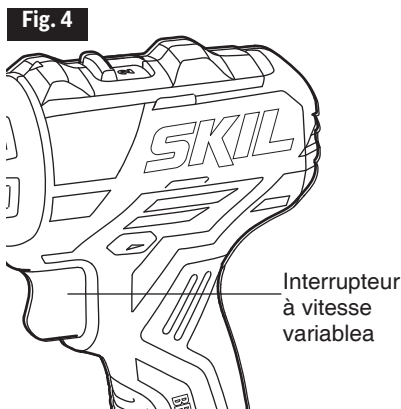
Fig. 3



## Interruptor tipo gatillo de velocidad variable

Su herramienta está equipada con un interruptor tipo gatillo de velocidad variable. La herramienta se puede activar o desactivar al presionar o soltar el gatillo.

El interruptor tipo gatillo de velocidad variable proporciona mayor velocidad con mayor presión en el gatillo y menor velocidad con menor presión en el gatillo (Fig. 4).



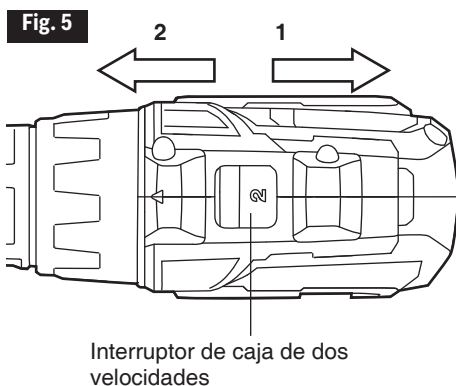
## Interruptor de caja de dos velocidades

Su herramienta está equipada con una caja de dos velocidades, diseñada para taladrar o atornillar a velocidad baja (LO (1)) o alta (HI (2)). En la parte superior del taladro, se encuentra un interruptor deslizante para seleccionar velocidad alta o baja (Fig.5).


La velocidad baja proporciona una torsión elevada y velocidades de perforación más lentas para trabajos pesados o para introducir o sacar tornillos. Use la velocidad baja para hacer orificios sin un punzón centrador, taladrar metales, plásticos o cerámica, o en aplicaciones que requieran mayor torsión.

La velocidad alta se recomienda para trabajos de perforación más ligeros. La velocidad alta es mejor para taladrar madera y compuestos de madera, y para usar accesorios abrasivos y pulidores.

**AVISO:** para evitar que los engranajes se dañen, siempre deje que el taladro/destornillador se detenga por completo antes de cambiar entre las velocidades alta y baja.



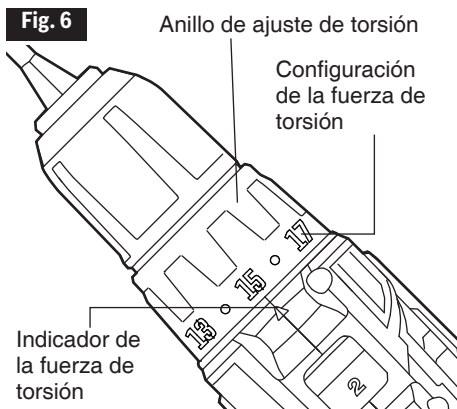
## Anillo de ajuste de torsión

Su herramienta cuenta con 17+1 ajustes de embrague. La torsión de salida aumentará al girar el anillo del embrague de 1 a 17. La posición de taladrado “” bloqueará el embrague para trabajos pesados de perforación y atornillado (Fig.6).

Al utilizar un taladro/destornillador para distintas aplicaciones de destornillado, aumente o disminuya la torsión para evitar que se dañen las cabezas de los tornillos, las roscas, la pieza de trabajo, etc.

La configuración correcta depende del trabajo y del tipo de broca, sujetador y material que utilice. En general, use una fuerza de torsión mayor para tornillos más grandes. Si la torsión es demasiado elevada, los tornillos podrían dañarse o quebrarse. Para operaciones delicadas, como quitar un tornillo parcialmente defectuoso, utilice una configuración de torsión baja. Para operaciones como perforar en madera dura, use un ajuste de torsión más alto.

**AVISO:** no ajuste la torsión cuando la herramienta esté en funcionamiento.



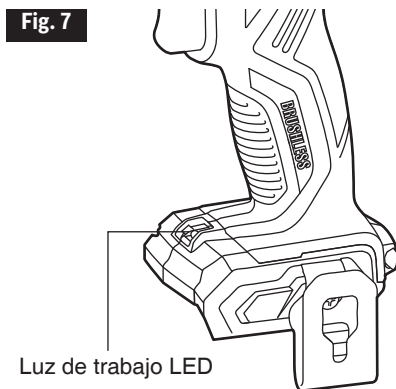
## Luz de trabajo LED

Su herramienta está equipada con una luz de trabajo LED, situada en la base de la herramienta, que se enciende al apretar el interruptor tipo gatillo de velocidad variable. Esta proporciona luz adicional en la superficie de la pieza de trabajo para operaciones en áreas con poca luz (Fig.7).

La luz de trabajo LED se encenderá automáticamente con una ligera presión en el interruptor tipo gatillo, antes de que la herramienta comience a funcionar, y se apagará de 8 a 12 segundos después de soltar el interruptor.

Si la herramienta y/o el paquete de baterías se sobrecargan o se calientan demasiado, los sensores internos apagarán la herramienta. Si la herramienta o el paquete de baterías se sobrecargan, la luz de trabajo LED destellará rápidamente. Deje de usar la herramienta por un tiempo o coloque la herramienta y el paquete de baterías por separados debajo de un chorro de aire para que se enfríen.

La luz de trabajo LED destellará de forma más pausada para indicar que la capacidad de la batería está baja. Recargue el paquete de baterías.




## Instalación y extracción de brocas

### **⚠ ADVERTENCIA**

No utilice la potencia del

taladro mientras sujeta el mandril para aflojar o apretar la broca. Es posible que se produzcan quemaduras por fricción o lesiones en la mano si se intenta agarrar el mandril giratorio.

Su herramienta está equipada con un mandril sin llave para apretar o liberar brocas para taladro en las mordazas del mandril. Las flechas en el mandril señalan la dirección en la que se debe girar el cuerpo del mandril para AGARRAR (apretar) o ABRIR (liberar) las mordazas en el mandril de la broca para taladro.

- Coloque el selector de dirección de rotación (hacia delante/bloqueo central/hacia atrás) en la posición central para así bloquear el interruptor tipo gatillo en la posición de "apagado" de la herramienta.
- Retire el paquete de baterías y gire el anillo de ajuste de torsión hasta la configuración de broca " ".

### Para instalar la broca:

- Gire el cuerpo del mandril en dirección contraria a las manecillas del reloj, con respecto al extremo del mandril, para abrir el mandril hasta aproximadamente el diámetro de la broca.
- Inserte una broca limpia hasta donde empiecen los canales de la broca, en el caso de brocas pequeñas, o bien hasta donde llegue la broca si esta es grande. Cierre el cuerpo del mandril; para ello, gírelo en dirección de las manecillas del reloj y apriételo firmemente con la mano (Fig. 8).

### Para extraer la broca:

- Gire el cuerpo del mandril en dirección contraria a las manecillas del reloj, con respecto al extremo del mandril, para abrir el mandril.
- Extraiga la broca.

### Para brocas hexagonales de 1/4":

Su herramienta está equipada con una boquilla de sujeción incorporada dentro del mandril, lo que facilita mucho la instalación y extracción de brocas hexagonales de 1/4".

- Coloque el selector de dirección de rotación en la posición central para bloquear el interruptor tipo gatillo en la posición de "apagado".
- Retire el paquete de baterías.
- Para instalar la broca:  
Inserte la broca o punta en la boquilla de sujeción. Escuchará un "clic", lo que indica que la broca está bien instalada.
- Para extraer la broca:  
Jale la broca para retirarla de la boquilla de sujeción (Fig. 9).

### **⚠ ADVERTENCIA**

Use guantes protectores al retirar la broca de la herramienta o primero deje que la broca se enfríe. Es posible que la broca esté caliente después de un uso prolongado.

Fig. 8

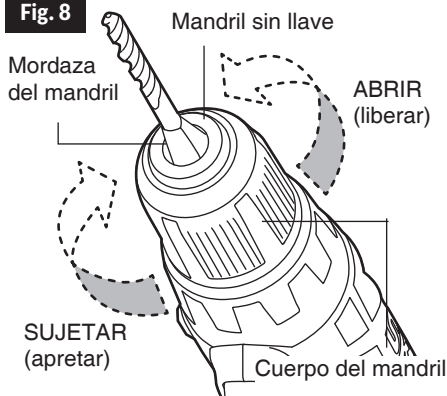
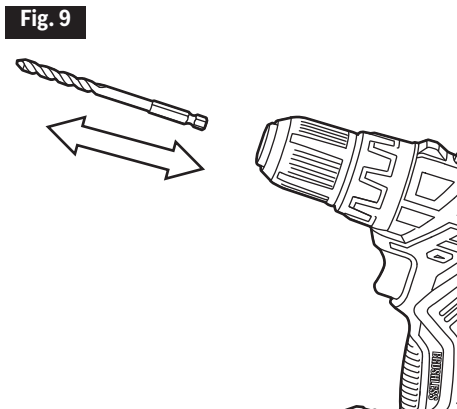


Fig. 9



## Presilla para cinturón desmontable

Su herramienta está equipada con una presilla para cinturón desmontable, que puede colocarse en el lado izquierdo de la herramienta para un transporte cómodo (Fig. 10).

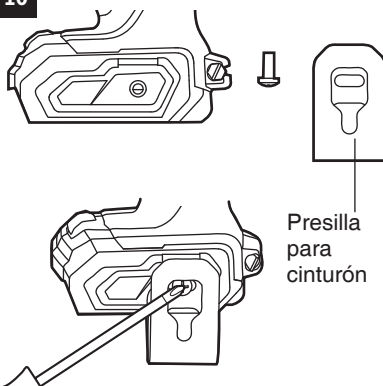
### Instale la presilla para cinturón en la herramienta:

- Retire el paquete de baterías de la herramienta.
- Alinee la pestaña de la presilla para cinturón con el orificio roscado en la base de la herramienta.
- Coloque el tornillo y apriételo firmemente con un destornillador.

### Retire la presilla para cinturón de la herramienta:

- Retire el paquete de baterías de la herramienta.
- Utilice un destornillador para aflojar el tornillo que fija la presilla para cinturón al Taladro/ Destornillador.
- Retire el tornillo y la presilla para cinturón.

Fig. 10



## Brocas para taladro

Inspeccione siempre las brocas en busca de desgaste excesivo. Use solo brocas afiladas y en buen estado.

**Brocas de torsión:** disponible con vástagos rectos y reducidos para taladrar madera y metales ligeros. Las brocas de alta velocidad penetran más rápido y duran más en materiales duros.

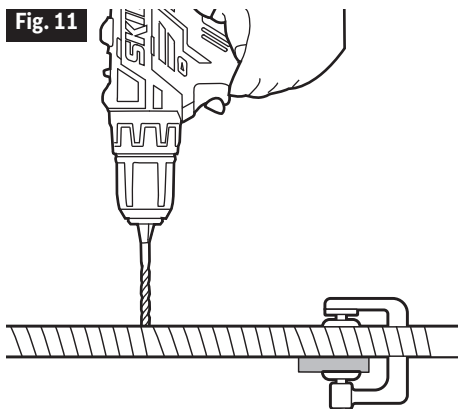
**Brocas con puntas de carburo:** se usan para taladrar piedra, concreto, yeso, cemento y otros materiales no metálicos excepcionalmente duros. Cuando utilice brocas con punta de carburo, aplique una presión de alimentación continua y pesada.

## Taladrado (Fig. 11).

**⚠ ADVERTENCIA** Use siempre gafas o anteojos de seguridad con protectores laterales durante la operación de la herramienta eléctrica o al soplar el polvo. Si hay demasiado polvo durante la operación, use también una mascarilla antipolvo.

- Verifique que el selector de dirección de rotación esté en la configuración correcta (hacia delante o en reversa).
- Asegure el material que va a perforar en una prensa de tornillo o con abrazaderas para evitar que gire cuando la broca para taladro esté girando.
- Sostenga el taladro firmemente y coloque la broca en el punto que va a perforar.

Fig. 11



- d. Presione el interruptor tipo gatillo para arrancar el taladro/destornillador.
- e. Coloque la broca para taladro en la pieza de trabajo, aplicando solo la presión suficiente para mantener la broca perforando. No fuerce el taladro ni aplique presión lateral para ampliar un orificio.  
Deje que este realice el trabajo.
- f. Cuando taladre superficies duras y suaves, use un punzón centrador para marcar la ubicación deseada del orificio. Esto evitará que la broca para taladro se mueva a medida que hace el orificio.
- g. Cuando perfore metales, unte aceite ligero en la broca para taladro para evitar que se sobrecaliente. El aceite prolongará la vida útil de la broca y aumentará la acción de taladro.
- h. Si la broca se atasca en la pieza de trabajo o si el taladro/destornillador se para, detenga la herramienta inmediatamente. Retire la broca de la pieza de trabajo, determine y corrija el motivo del atasco.

**AVISO:** hay dos reglas para taladrar materiales duros. La primera: cuanto más duro es el material, mayor es la presión que se debe aplicar a la herramienta. La segunda: cuanto más duro sea el material, más lenta debe ser la velocidad. Si el orificio que se va a perforar es bastante grande, taladre primero un orificio más pequeño y luego amplíe hasta el tamaño requerido con una broca más grande; este método suele ser más rápido a la larga.

## Taladrado en madera

Para obtener un máximo rendimiento, use brocas de acero de alta velocidad o de tres puntas para perforar madera.

- a. Comience perforando a una velocidad muy baja para evitar que la broca se deslice del punto de inicio.
- b. Aumente la velocidad a medida que la broca del taladro penetre el material.
- c. Al taladrar “a través” de orificios, coloque un bloque de madera detrás de la pieza de trabajo para evitar bordes irregulares o astillados en la parte posterior del orificio.

**AVISO:** las brocas se pueden sobrecalentar si no se sacan frecuentemente para limpiar el aserrín de los canales.

## Taladrado en metal

Para obtener un máximo rendimiento, use brocas de acero de alta velocidad al taladrar en metal.

- a. Cuando perfore metales, unte aceite ligero en la broca para taladro para evitar que se sobrecaliente. El aceite prolongará la vida útil de la broca y aumentará la acción de taladro.
- b. Comience perforando a una velocidad muy baja para evitar que la broca se deslice del punto de inicio.
- c. Mantenga una velocidad y presión que permitan cortar sin sobrecalentar la broca. Aplicar demasiada presión podría:
  - Sobrecalentar el taladro.
  - Desgastar los rodamientos.
  - Doblar o quemar las brocas.
  - Producir orificios descentrados o irregulares.



## Taladrado en mampostería

Para obtener un máximo rendimiento, use brocas para mampostería con puntas de carburo al taladrar orificios en ladrillos, baldosas, concreto, etc.

- a. Mantenga una velocidad y presión que permitan cortar sin sobrecalentar la broca o el taladro. Aplicar demasiada presión podría:
  - Sobrecalentar el taladro.
  - Desgastar los rodamientos.
  - Doblar o quemar las brocas.
  - Producir orificios descentrados o irregulares.
- b. Para obtener resultados óptimos en ladrillos, aplique una presión suave y utilice una velocidad media.
- c. En materiales duros, como el concreto, aplique mayor presión.
- d. Al taladrar orificios en baldosas, practique en una pieza que no use para determinar la mejor velocidad y presión.
- e. Comience perforando a una velocidad muy baja para evitar que la broca se deslice del punto de inicio.

## Instalación de tuercas y pernos

**⚠ ADVERTENCIA** Use siempre gafas o anteojos de seguridad con protectores laterales durante la operación de la herramienta eléctrica o al soplar el polvo. Si hay demasiado polvo durante la operación, use también una mascarilla antipolvo.

El control de velocidad variable debe usarse con precaución al instalar tuercas y pernos con accesorios para dados. La mejor técnica consiste en empezar lentamente y aumentar la velocidad a medida que la tuerca o el perno descienden. Ajuste la tuerca o el perno firmemente, bajando la velocidad del taladro hasta que se detenga. Si no se sigue este procedimiento, la herramienta tendrá una tendencia a torcerse en las manos cuando la tuerca o el perno se asienten.

## MANTENIMIENTO

**⚠ ADVERTENCIA** Para evitar lesiones personales graves, siempre retire el paquete de baterías de la herramienta cuando la vaya a limpiar o a realizarle cualquier tarea de mantenimiento.

### Reparación

**⚠ ADVERTENCIA** El mantenimiento preventivo realizado por personal no autorizado puede derivar en la mala colocación de los cables y componentes internos, lo que podría crear un riesgo grave. Recomendamos que toda reparación de la herramienta la realice un centro de servicio de la fábrica SKIL o una estación de servicio autorizada de SKIL.

### Mantenimiento general

**⚠ ADVERTENCIA** Al realizar mantenimiento, utilice solo piezas de repuesto idénticas a las de fabricación. El uso de cualquier otra pieza puede crear un peligro o causar daños en el producto.

**NOTA:** inspeccione el producto periódicamente para verificar que no haya piezas dañadas, faltantes o flojas, como tornillos, tuercas, pernos, tapas, etc. Apriete bien todos los sujetadores y las tapas y no use el producto hasta que se hayan reemplazado las piezas faltantes o dañadas. Si necesita más ayuda, póngase en contacto con el Servicio al Cliente o centro de servicio autorizado.

### Limpieza

**⚠ ADVERTENCIA** La herramienta se puede limpiar mejor con aire comprimido seco. **Siempre use gafas de seguridad al usar herramientas de limpieza con aire comprimido.** Las aberturas de ventilación y los selectores del interruptor deben mantenerse limpios y libres de materiales extraños. No intente limpiar insertando objetos puntiagudos a través de las aberturas.

**⚠ ADVERTENCIA** Algunos solventes y agentes de limpieza dañan las piezas de plástico. Algunos son: gasolina, tetracloruro de carbono, solventes de limpieza con cloro, amoníaco y detergentes domésticos que contienen amoníaco.

### Almacenamiento

Almacene la herramienta en un lugar cerrado que no sea accesible para los niños. Manténgala alejada de agentes corrosivos.

## SOLUCIÓN DE PROBLEMAS

Problema	Causa	Solución
La herramienta no funciona.	<ol style="list-style-type: none"><li>1. El paquete de baterías está agotado.</li><li>2. El paquete de baterías no está instalado correctamente.</li><li>3. El interruptor está quemado.</li></ol>	<ol style="list-style-type: none"><li>1. Cargue la batería.</li><li>2. Asegúrese de que la batería esté trabada y asegurada en la herramienta.</li><li>3. Pida en un centro o estación de servicio autorizada de SKIL que reemplacen el interruptor.</li></ol>
La luz de trabajo LED destella rápidamente.	<ol style="list-style-type: none"><li>1. La herramienta está sobrecargada.</li><li>2. La herramienta está sobrecalentada.</li></ol>	<ol style="list-style-type: none"><li>1. Suelte el interruptor tipo gatillo.</li><li>2. Enfríe la herramienta bajo un chorro de aire.</li></ol>

# **GARANTÍA LIMITADA PARA HERRAMIENTA SKIL**

## **5 AÑO DE GARANTÍA LIMITADA**

Chervon North America, Inc. ("Vendedor") garantiza únicamente al comprador original que ninguna HERRAMIENTA SKIL del consumidor presentará defectos en los materiales ni la mano de obra durante un período de cinco años a partir de la fecha de compra si el comprador original registra el producto dentro de los 30 días de realizada la compra. Las BATERÍAS y los CARGADORES tienen una garantía de 2 años. El registro del producto se puede completar en línea en [www.Registermyskil.com](http://www.Registermyskil.com). Los compradores originales también deben conservar el recibo como comprobante de compra. **EL PERÍODO DE GARANTÍA DE CINCO AÑOS PARA HERRAMIENTAS ESTÁ CONDICIONADA POR EL REGISTRO DEL PRODUCTO DENTRO DE LOS 30 DÍAS DE REALIZADA LA COMPRA.** Si los compradores originales no registran el producto de manera oportuna, se aplicará la garantía limitada anterior durante tres años para las herramientas eléctricas. Todas las baterías y los cargadores permanecerán bajo la garantía limitada de dos años.

No obstante lo señalado anteriormente, si se usa una herramienta SKIL del consumidor para fines industriales, profesionales o comerciales, se aplicará la garantía anterior durante noventa días, sin considerar el registro.

**LA ÚNICA OBLIGACIÓN DEL VENDEDOR Y SU ÚNICA SOLUCIÓN** en virtud de esta garantía limitada y, en la medida en que lo permita la ley, cualquier garantía o condición implícita por la ley, será la reparación o el reemplazo, sin cargo, de las piezas que presentan defectos en el material o la mano de obra y que no se hayan usado de manera incorrecta, que no se hayan manejado sin la debida atención o que las hayan reparado personas que no sean el Vendedor o una estación de servicio autorizada. Para exponer un reclamo en virtud de esta garantía limitada, debe devolver el producto completo, con el transporte prepagado, a cualquier centro de servicio de la fábrica SKIL o a cualquier estación de servicio autorizada. Para comunicarse con las estaciones de servicio autorizadas de Skil para reparar su herramienta eléctrica, visite [www.Registermyskil.com](http://www.Registermyskil.com) o llame al 1-877-SKIL-999 (1-877-754-5999).

**ESTA GARANTÍA LIMITADA NO SE APLICA A ARTÍCULOS ACCESORIOS, COMO HOJAS DE SIERRA CIRCULAR, BROCAS PARA TALADROS, BROCAS PARA REBAJADORAS, HOJAS DE SIERRA DE VAIVÉN, BANDAS DE LIJADO, DISCOS DE PULIDO Y OTROS ARTÍCULOS RELACIONADOS.**

**TODA GARANTÍA IMPLÍCITA APLICABLE A UN PRODUCTO DEBE ESTAR LIMITADA A LA MISMA DURACIÓN QUE LA DURACIÓN DE LAS GARANTÍAS EXPRESAS APLICABLES A DICHO PRODUCTO, SEGÚN SE ESTABLECIÓ EN EL PRIMER PÁRRAFO. ALGUNOS ESTADOS EN ESTADOS UNIDOS Y ALGUNAS PROVINCIAS EN CANADÁ NO PERMITEN LIMITACIONES SOBRE EL TIEMPO DE DURACIÓN DE UNA GARANTÍA IMPLÍCITA, DE MODO QUE LA LIMITACIÓN ANTES DESCRITA PUEDE QUE NO SE APLIQUE A USTED.**

**BAJO NINGUNA CIRCUNSTANCIA, EL VENDEDOR SERÁ RESPONSABLE DE DAÑOS ACCIDENTALES O RESULTANTES (INCLUIDA ENTRE OTRAS, LA RESPONSABILIDAD POR PÉRDIDA DE GANANCIAS) QUE SE ORIGINEN DE LA VENTA O EL USO DE ESTE PRODUCTO. ALGUNOS ESTADOS EN ESTADOS UNIDOS Y ALGUNAS PROVINCIAS EN CANADÁ NO PERMITEN LA EXCLUSIÓN O LIMITACIÓN DE DAÑOS ACCIDENTALES O RESULTANTES, DE MODO QUE LA LIMITACIÓN O EXCLUSIÓN ANTERIOR PUEDE QUE NO SE APLIQUE A USTED.**

**ESTA GARANTÍA LIMITADA LE OTORGA DERECHOS LEGALES ESPECÍFICOS, Y ES POSIBLE QUE TAMBIÉN TENGA OTROS DERECHOS QUE VARIAN DE UN ESTADO A OTRO EN ESTADOS UNIDOS, DE UNA PROVINCIA A OTRA EN CANADÁ Y DE UN PAÍS A OTRO.**

ESTA GARANTÍA LIMITADA SE APLICA SOLAMENTE A PRODUCTOS VENDIDOS EN ESTADOS UNIDOS DE AMÉRICA, CANADÁ Y EL COMMONWEALTH DE PUERTO RICO. PARA TENER UNA COBERTURA DE GARANTÍA EN OTROS PAÍSES, PÓNGASE EN CONTACTO CON SU DISTRIBUIDOR O IMPORTADOR DE SKIL.

© Chervon North America, 1203 E. Warrenville Rd, Naperville, IL 60563.

07/18





