

SKIL

Owner's Manual
Guide d'utilisation
Manual del propietario



Model/ Modelo/ Modèle: #LL932201

Self-leveling 360 Degree Red Cross line Laser

**Niveau laser à croix rouge et à nivellement
automatique 360°**

**Láser autonivelante de líneas cruzadas
rojas de 360 grados**

▲ WARNING: To reduce the risk of injury, the user must read and understand the Operator's Manual before using this product. Save these instructions for future reference.

▲ AVERTISSEMENT : Afin de réduire les risques de blessure, l'utilisateur doit lire et comprendre le guide d'utilisation avant d'utiliser cet article. Conservez le présent guide afin de pouvoir le consulter ultérieurement.

▲ ADVERTENCIA : Para reducir el riesgo de lesiones, el usuario debe leer y comprender el Manual del operador antes de utilizar este producto. Guarde estas instrucciones para consultarlas en caso sea necesario.



For Customer Service
Pour le service à la clientèle
Servicio al cliente

1-877-SKIL-999 OR www.skiltools.com

TABLE OF CONTENTS

General Laser Tool Safety Warnings.	3
FCC Statement.	3-4
Safety Rules For Connecting External Power Supply	4
Symbols	5-6
Get to Know Your Laser Tool..	7
Packing List	8
Specifications	8
Operating Instructions	9-14
Maintenance.	15
Trouble Shooting.	15
Limited Warranty Of Skil Consumer Tools	16

GENERAL LASER TOOL SAFETY WARNINGS

READ ALL INSTRUCTIONS BEFORE USING THE TOOL!

⚠ WARNING **LASER RADIATION.** Do not stare into beam. Class II laser product. Turn the laser beam on only when using this tool.

Do not remove or deface any product labels.

Avoid direct eye exposure. The laser beam can cause flash blindness.

Do not operate the tool around children or allow children to operate the tool.

Do not place the tool in a position that may cause anyone to stare at the laser beam, whether intentionally or unintentionally.

Do not use on surfaces such as sheet steel that have shiny, reflective surfaces. The shiny surface could reflect the beam back at the operator.

Always turn the laser tool off when not in use. Leaving the tool on increases the risk of someone inadvertently staring into the laser beam.

Do not attempt to modify the performance of this laser device in any way. This may result in a dangerous exposure to laser radiation.

Do not attempt to repair or disassemble the tool. If unqualified persons attempt to repair this product, serious injury may occur. Any repair required on this laser product should be performed only by qualified service personnel.

Use of other accessories that have been designed for use with other laser tools could result in serious injury.

Do not operate the tool outdoors.

Do not place or store tool under extreme temperature conditions.

FCC STATEMENT

The manufacturer is not responsible for radio interference caused by unauthorized modifications to this equipment. Such modifications could void the user's authority to operate the equipment.

This device complies with Part 15 of the FCC Rules. Operation is subject to the following two conditions:

- (1) This device may not cause harmful interference.
- (2) This device must accept any interference received, including interference that may cause undesired operation.

Changes or modifications not expressly approved by the party responsible for compliance could void the user's authority to operate the equipment.



NOTE! This equipment has been tested and found to comply with the limits for a Class B digital device, pursuant to Part 15 of the FCC Rules. These limits are designed to provide reasonable protection against harmful interference in a residential installation. This equipment generates, uses, and can radiate radio frequency energy and, if not installed and used in accordance with the instructions, may cause harmful interference to radio communications. However, there is no guarantee that interference will not occur in a particular installation. If this equipment does cause harmful interference to radio or television reception, which can be determined by turning the equipment off and on, the user is encouraged to try to correct the interference by one or more of the following measures:

- Reorient or relocate the receiving antenna.
- Increase the separation between the equipment and receiver.
- Connect the equipment into an outlet on a circuit different from that to which the receiver is connected.
- Consult the dealer or an experienced radio/TV technician for help.

⚠ DANGER

People with electronic devices, such as pacemakers, should consult their physician(s) before using this product. Operation of electrical equipment in close proximity to a heart pacemaker could cause interference or failure of the pacemaker.

SAFETY RULES FOR CONNECTING EXTERNAL POWER SUPPLY

⚠ WARNING

Read and follow all instructions below before connecting with an external power supply, such as AC supply or DC mobile power.

Failure to follow all instructions below may result in electric shock, explosion, fire and/or serious personal injury.

Use only an adapter for which output voltage is 5V and output electricity is $\geq 0.5A$.

Confirm that the adapter suits the AC supply before connecting.

Confirm that the mobile power source has output voltage of 5V and output electricity of $\geq 0.5A$ before connecting.

Keep the adapter clean. Check the adapter, cable and plug before do connecting. If damage is detected, do not use or repair by yourself, change the damaged one or get repairs performed by authorized service personnel, otherwise electric shock may occur.

Do not connect with AC supply on easily flammable surfaces (e.g., paper, textiles, etc.) or surroundings. The heating of the adapter during use may pose a fire hazard.





Children or persons with physical, sensory or mental limitations or lack of experience and knowledge are not capable of securely operating the adapter unless they are being given supervision or have been instructed by a responsible person.

SYMBOLS

Safety Symbols

The purpose of safety symbols is to attract your attention to possible dangers. The safety symbols and the explanations with them deserve your careful attention and understanding. The symbol warnings do not, by themselves, eliminate any danger. The instructions and warnings they give are no substitutes for proper accident prevention measures.

⚠ WARNING Be sure to read and understand all safety instructions in this Operator's Manual, including all safety alert symbols such as "**DANGER**," "**WARNING**," and "**CAUTION**" before using this tool. Failure to following all instructions listed below may result in electric shock, fire, and/or serious personal injury.

The definitions below describe the level of severity for each signal word. Please read the manual and pay attention to these symbols.	
	This is the safety alert symbol. It is used to alert you to potential personal injury hazards. Obey all safety messages that follow this symbol to avoid possible injury or death.
	DANGER indicates a hazardous situation which, if not avoided, will result in death or serious injury.
	WARNING indicates a hazardous situation which, if not avoided, could result in death or serious injury.
	CAUTION, used with the safety alert symbol, indicates a hazardous situation which, if not avoided, will result in minor or moderate injury.










Damage Prevention And Information Messages

These inform the user of important information and/or instructions that could lead to equipment or other property damage if they are not followed. Each message is preceded by the word "NOTICE", as in the example below:

NOTICE: Equipment and/or property damage may result if these instructions are not followed.

IMPORTANT: Some of the following symbols may be used on your tool. Please study them and learn their meaning. Proper interpretation of these symbols will allow you to operate the tool better and safer.

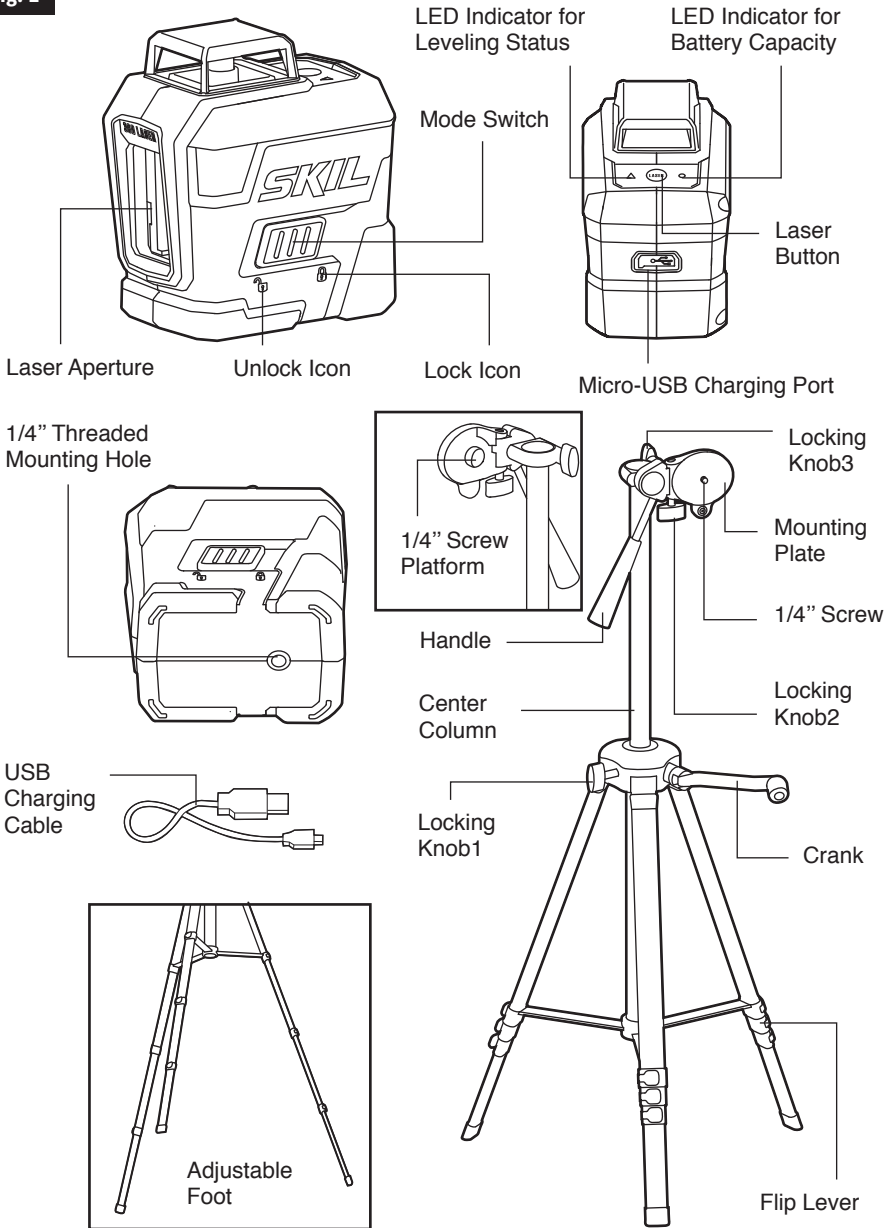
Symbol	Name	Designation/Explanation
V	Volts	Voltage (potential)
A	Amperes	Current
mW	Milliwatt	Power
nm	Nanometer	Wavelength
kg	Kilograms	Weight
min	Minutes	Time

Symbol	Name	Designation/Explanation
s	Seconds	Time
Wh	Watt-hours	Battery capacity
mAh	Milliampere-Hours	Battery capacity
	Direct current	Type or a characteristic of current
	Unlock Icon	Push the mode switch in the direction of the icon, the tool will enter the self-leveling mode and the cross line laser will be turned on
	Lock Icon	Push the mode switch in the direction of the icon, the tool will be turned off and locked
	LED Indicator for Leveling Status	If the tool is placed exceeds the self-leveling range ($\pm 4^\circ$ from horizontal) in self-leveling mode, or when the tool is working in manual leveling mode, it will illuminate in red
	LED Indicator for Battery Capacity	The color status varies with the battery capacity the tool rests during charging and normal usage
	Laser Button	To turn the Self-Leveling 360 Degree Cross Line Laser on and off in manual leveling mode; Switch laser projection mode in both self-leveling and manual leveling modes
	CEC Energy Efficiency Logo	CEC certification logo for battery charging system
	Li-ion RBRC seal	Designates Li-ion battery recycling program
	Read manual symbol	Alerts user to read manual

GET TO KNOW YOUR LASER TOOL

This Self-Leveling 360 Degree Cross Line Laser is highly versatile. It can be hand-held, leveled on a horizontal surface or mounted on a tripod (included).

Fig. 1



PACKING LIST

PART NAME	QTY
Self-leveling 360 Degree Red Cross line Laser	1
Tripod	1
USB Charging Cable	1
Soft Bag	1
Instruction Manual	1

SPECIFICATIONS

Battery voltage	1200mAh 3.7V Lithium
Laser	$\lambda=635\text{nm}$; Class II laser, Maximum laser output < 1mw
Self-levelling range	$\pm 4^\circ$
Accuracy	$\pm 3/16$ inch at 30 feet (0.5mm/m)
Operating range (typically, depending on room illumination)*	65 feet (20m)
Operating time	10 hour
Optimum operating temperature	+23°F to 104°F (-5°C to 40°C)
Storage temperature	-4°F to 158°F (-20°C to 70°C)
*Important: Under unfavorable conditions, such as in bright light, the tool's operating range will be reduced.	

OPERATING INSTRUCTIONS

⚠ WARNING To reduce the risk of fire, personal injury, and product damage due to a short circuit, never immerse your tool or charger in fluid or allow a fluid to flow inside them. Corrosive or conductive fluids, such as seawater, certain industrial chemicals, and bleach or bleach containing products, etc., can cause a short circuit.

Applications

Your Self-Leveling 360 Degree Cross Line Laser can be hand-held for point marking and simple alignment by sight, or it can be used to make a “chalk line” when in the lock mode. It also can be mounted on a standard 1/4” tripod (included) to project laser lines on walls. It is ideal for the following applications:

- Hanging pictures, photos, or artwork on walls
- Wallpapering and stencil work
- Framing doors and windows
- Installing electrical wiring and pipes
- Mounting wall fixtures, electrical outlets, switches and lighting
- Installing a drop ceiling
- Painting
- Installing closets
- Laying tile and flooring

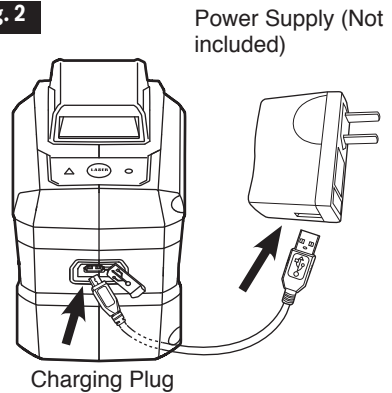
Charge the Tool and Monitor Charge

NOTE: The tool is shipped partially charged; charge the battery before first use.

Recharge the tool for approximately 3 hours after the battery depleted. It is not recommended to recharge the tool for more than 24 hours after each use.

- Insert the USB interface of the USB charging cable into the USB port of the power supply (not included).
- Insert the charging plug into charging port of the tool, making sure that the two are properly connected.
- Connect the power supply (together with USB charging cable) to the power outlet.(FIG. 2)

Fig. 2



The LED indicator for battery capacity will continuously flicker in different colors during the charging process.

- The LED indicator for battery capacity flickers red during charging when the charged battery capacity will allow the tool to be operated for approximately 30 minutes or less.
- The LED indicator light flickers yellow during charging to indicate that the charged battery capacity will allow the tool to be operated more than 30 minutes but has not reached 90% of full capacity.

- The LED indicator light flickers in green during charging to indicate that the charged battery capacity has reached more than 90% of full capacity.
- The LED indicator light steadily shines green when the battery has reached full charge capacity.

Remember to remove the USB charging cable from tool when charging is complete.

During normal use, the LED indicator for battery capacity will illuminate continuously in different colors to indicate approximately how much battery capacity remains.

- When the LED indicator light illuminates green, it indicates that the battery charge is more than 40% of full capacity.
- When the LED indicator light illuminates yellow, it indicates that the battery charge is less than 40% of full capacity.
- When the LED indicator light illuminates red, it indicates that the tool can only be operated for approximately 30 minutes before turning off automatically.

To Turn the Self-Leveling 360 Degree Cross Line Laser On and Off

 WARNING When turning on the Self-Leveling 360 degree Cross Line Laser, always be aware of protecting your eyes and the eyes of those around you. Never point the 360 Degree Cross Line Laser at anyone's face, including your own.

To turn the Self-Leveling 360 Degree Cross Line Laser on, push the mode switch in the direction of the unlock icon, or press the laser button when the mode switch is in the direction of the lock icon.

If the Self-Leveling 360 Degree Cross Line Laser is turned on with the mode switch in the direction of unlock icon, push the mode switch in the direction of the lock icon to turn off.

If the Self-Leveling 360 Degree Cross Line Laser is turned on with the mode switch in the direction of the lock icon, press the laser button repeatedly until it turns off.

Laser-Line Projection Modes

The Self-Leveling 360 Degree Cross Line Laser has three laser-projection modes. To select a specific laser-projection mode, repeatedly press the laser button until you reach the desired projection mode. This laser tool defaults to the cross-hair pattern mode when it is turned on.

To choose a projection mode, press the laser button:

- Press the button once to select the horizontal laser line.
- Press the button twice to select the vertical laser line.
- In the Self-Leveling mode, press the button three times to return to the cross-hair pattern.

In manual leveling mode, press the button three times to turn the laser off. Press the laser button again to restart with the cross-hair pattern.

Self-Leveling Mode (FIG. 3)

Your Self-Leveling 360 Degree Cross Line Laser has two working modes: self-leveling mode and manual leveling mode.

In self-leveling mode, the tool will level itself if it is within $\pm 4^\circ$ of horizontal.

Place the Self-Leveling 360 Degree Cross Line Laser on a flat, smooth surface that is within $\pm 4^\circ$ of horizontal.

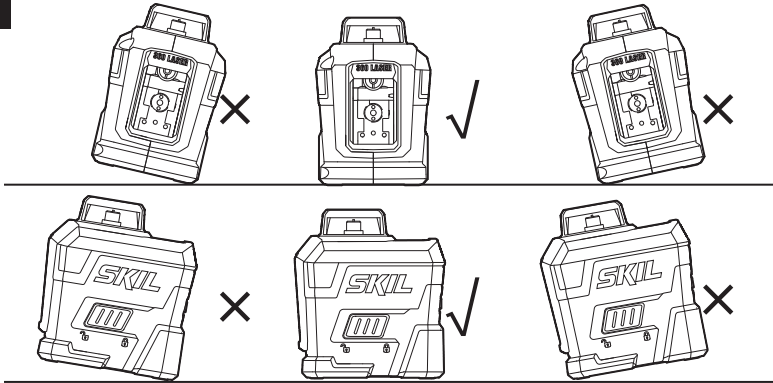
Turn the tool on by sliding the mode switch in the direction of the unlock icon. The Self-Leveling 360 Degree Cross Line Laser will automatically level within 6 seconds.

Press the laser button until the desired laser-projection mode is achieved and the laser line is projected from the laser aperture.

If the surface on which the Self-Leveling 360 Degree Cross Line Laser is placed exceeds $\pm 4^\circ$ from horizontal, the laser line will blink as an alarm and the LED indicator for warning will illuminate in red. In this event, adjust the angle of the surface slightly.

To turn off the laser lines, slide the mode switch in the direction of the lock icon.

Fig. 3



Manual Leveling Mode

Keep the mode switch in the lock icon position and press the laser button to turn on the laser. The laser lines are now locked and are no longer self-leveling.

Press the laser button repeatedly to change the laser-projection mode: horizontal, vertical, or cross-hair.

In manual leveling mode, the LED indicator for leveling status will always illuminate in red; the laser lines are projected continuously and will not blink, even if the slope angle exceeds 4° .

Press the laser button repeatedly until the laser turns off.

Using With the Tripod

The tripod provides a stable, height-adjustable support (up to 43 inches).

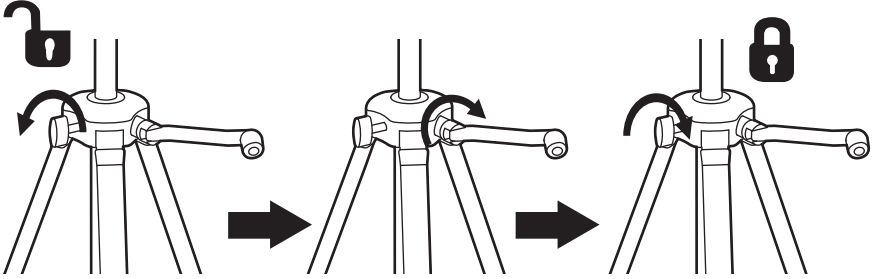
Thread the 1/4" screw on the tripod into the 1/4" threaded mounting hole on the tool.

Tighten the tool with the tripod 1/4" screw platform.

Loosen locking knob 1. Rotate the crank until the desired height is attained. Tighten locking knob 1 to lock in the center column in position. (FIG. 4)

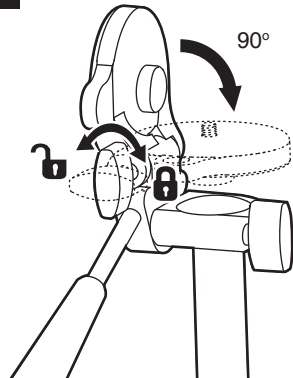
Fig. 4

Manually raise the column to the height desired



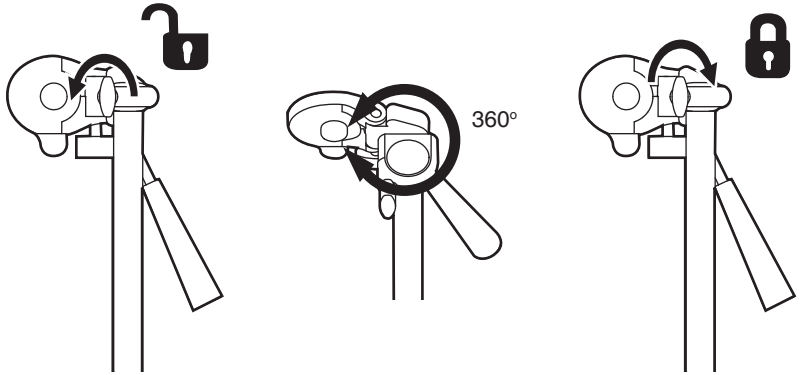
Loosen locking knob 2. Adjust the mounting plate to the desired position; the maximum adjustment scale is 90°. After adjustment, tighten locking knob 2 to lock the mounting plate in position (FIG. 5).

Fig. 5



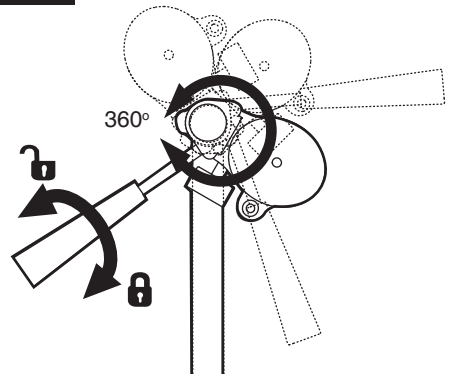
Loosen locking knob 3 to pan the head left or right. The maximum adjustment scale is 360°. After adjustment, tighten locking knob 3 to lock the position (FIG. 6).

Fig. 6

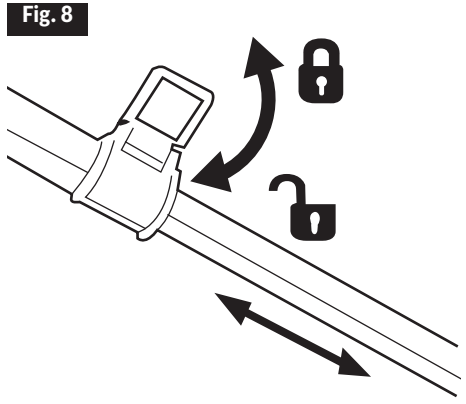


Loosen the handle by twisting it counterclockwise. The mounting plate can be tilted by moving the handle up or down; the maximum adjustment scale is 360°. After adjustment, tighten the handle clockwise to lock the position. (FIG. 7)

Fig. 7



Open the 3 flip levers on one leg to release that leg for adjustment. Extend the leg to the proper height. Close the levers to lock the leg in position. Repeat for the other two legs (FIG. 8).



MAINTENANCE

This tool has been designed to be a low-maintenance tool. However, in order to maintain its performance, you must always follow these simple directions:

- Avoid exposing the tool to shock, continuous vibration or extreme hot or cold temperatures.
- Always store the tool indoors.
- Always keep the tool free of dust and liquids. Use only a clean, soft cloth for cleaning. Avoid using any solvents.
- Do not disassemble the tool; this will expose the user to hazardous radiation exposure.
- Do not attempt to change any part of the laser lens.
- Do not dispose of this product in fire; batteries inside the product may explode or leak.
- After you have finished using the tool, always make sure that the switch is in the lock icon position.

TROUBLE SHOOTING

Problem	Cause	Remedy
The laser line is not projected.	The battery charge is too low.	Charge the battery.
The laser line is hard to see.	The tool is too far from the target.	Move the tool closer to the target.
The laser line flickers for alert.	The surface where the tool has been placed is uneven or the tool is out of its automatic Self-Leveling range.	<ol style="list-style-type: none">1. Place the tool on a more level surface (within $\pm 4^\circ$).2. Set the tool to its manual leveling mode.



For Recycling

To preserve natural resources, please recycle or dispose of batteries properly. This product contains lithium-ion batteries. Local, state, or federal laws may prohibit disposal of lithium-ion batteries in ordinary trash. Consult your local waste authority for information regarding available recycling and/ or disposal options.

LIMITED WARRANTY OF SKIL CONSUMER TOOLS

5 YEAR LIMITED WARRANTY- LEGAL

Chervon North America, Inc. ("Seller") warrants to the original purchaser only, that all SKIL consumer TOOLS will be free from defects in material or workmanship for a period of five years from date of purchase, if original purchaser registers the product within 30 days from purchase. BATTERIES AND CHARGERS are warranted for 2 years. Product registration can be completed online at www.Registermyskil.com. Original purchasers should also retain their receipt as proof of purchase. THE FIVE-YEAR WARRANTY PERIOD FOR TOOLS IS CONDITIONED ON REGISTRATION OF THE PRODUCT WITHIN 30 DAYS OF PURCHASE. If original purchasers do not register their product timely, the foregoing limited warranty will apply for a duration of three years for tools. All batteries and chargers will remain under the two-year limited warranty.

Notwithstanding the foregoing, if a SKIL consumer tool is used for industrial, professional or commercial purposes, the foregoing warranty will apply for a duration of ninety days, regardless of registration.

SELLER'S SOLE OBLIGATION AND YOUR EXCLUSIVE REMEDY under this Limited Warranty and, to the extent permitted by law, any warranty or condition implied by law, shall be the repair or replacement of parts, without charge, which are defective in material or workmanship and which have not been misused, carelessly handled, or repaired by persons other than Seller or Authorized Service Station. To make a claim under this Limited Warranty, you must return the complete product, transportation prepaid, to any SKIL Factory Service Center or Authorized Service Station. For Authorized SKIL Power Tool Service Stations, please visit www.Registermyskil.com or call 1-877-SKIL-999 (1-877-754-5999).

THIS LIMITED WARRANTY DOES NOT APPLY TO ACCESSORY ITEMS SUCH AS CIRCULAR SAW BLADES, DRILL BITS, ROUTER BITS, JIGSAW BLADES, SANDING BELTS, GRINDING

WHEELS AND OTHER RELATED ITEMS.

ANY IMPLIED WARRANTIES APPLICABLE TO A PRODUCT SHALL BE LIMITED IN DURATION EQUAL TO THE DURATION OF THE EXPRESS WARRANTIES APPLICABLE TO SUCH PRODUCT, AS SET FORTH IN THE FIRST PARAGRAPH ABOVE. SOME STATES IN THE U.S., SOME CANADIAN PROVINCES DO NOT ALLOW LIMITATIONS ON HOW LONG AN IMPLIED WARRANTY LASTS, SO THE ABOVE LIMITATION MAY NOT APPLY TO YOU.

IN NO EVENT SHALL SELLER BE LIABLE FOR ANY INCIDENTAL OR CONSEQUENTIAL DAMAGES (INCLUDING BUT NOT LIMITED TO LIABILITY FOR LOSS OF PROFITS) ARISING FROM THE

SALE OR USE OF THIS PRODUCT. SOME STATES IN THE U.S. AND SOME CANADIAN PROVINCES DO NOT ALLOW THE EXCLUSION OR LIMITATION OF INCIDENTAL OR CONSEQUENTIAL

DAMAGES, SO THE ABOVE LIMITATION OR EXCLUSION MAY NOT APPLY TO YOU.

THIS LIMITED WARRANTY GIVES YOU SPECIFIC LEGAL RIGHTS, AND YOU MAY ALSO HAVE OTHER RIGHTS WHICH VARY FROM STATE TO STATE IN THE U.S., PROVINCE TO PROVINCE

IN CANADA AND FROM COUNTRY TO COUNTRY.

THIS LIMITED WARRANTY APPLIES ONLY TO PRODUCTS SOLD WITHIN THE UNITED STATES OF AMERICA, CANADA AND THE COMMONWEALTH OF PUERTO RICO. FOR WARRANTY COVERAGE WITHIN OTHER COUNTRIES, CONTACT YOUR LOCAL SKIL DEALER OR IMPORTER.

TABLE DES MATIÈRES

Avertissements De Sécurité Généraux Relatifs Aux Outils Laser	18
Avis De Conformité Au Règlement De La Fcc	18-19
Règles De Sécurité Pour Le Branchement Sur Un Bloc D'alimentation Externe	19
Symboles	20-21
Apprenez À Connaître Votre Outil Laser	22
Liste Des Pièces Contenues Dans L'emballage	23
Caractéristiques Techniques	23
Mode D'emploi	24-29
Entretien	30
Dépannage	30
Garantie Limitée De L'outil Laser Skil	31-32

AVERTISSEMENTS DE SÉCURITÉ GÉNÉRAUX RELATIFS AUX OUTILS LASER

LISEZ TOUTES LES INSTRUCTIONS AVANT D'UTILISER L'OUTIL.

⚠ AVERTISSEMENT RAYONNEMENT LASER. Ne fixez pas le rayon des yeux.
Laser de classe II. Activez le rayon laser uniquement lorsque vous utilisez cet outil.

Ne retirez et n'endommagez aucune étiquette apposée sur le produit.

Évitez toute exposition oculaire directe. Le rayon laser peut provoquer un aveuglement par l'éclair.

Ne faites pas fonctionner l'outil à proximité d'enfants et ne laissez pas d'enfants faire fonctionner l'outil.

Évitez de placer l'outil de manière à ce que quelqu'un puisse regarder le rayon laser, intentionnellement ou non.

N'utilisez pas l'outil sur des surfaces brillantes et réfléchissantes comme des tôles d'acier. Les surfaces réfléchissantes peuvent refléter le rayon en direction de l'utilisateur.

Éteignez toujours l'outil au laser lorsque vous ne l'utilisez pas. En laissant l'outil en état de marche, vous augmentez le risque que quelqu'un regarde le rayon par inadvertance.

N'essayez d'aucune façon de modifier la performance de cet outil laser. Cela pourrait occasionner une dangereuse exposition au rayonnement laser.

Ne tentez pas de réparer ni de démonter l'outil. Les tentatives de réparation de ce produit par une personne non qualifiée pourraient occasionner de graves blessures. Toute réparation de cet appareil au laser doit être effectuée uniquement par un réparateur qualifié.

L'utilisation d'accessoires conçus pour d'autres outils au laser pourrait occasionner de graves blessures.

N'utilisez pas l'outil à l'extérieur.

Ne placez pas ou ne rangez pas l'outil dans des conditions de températures extrêmes.

AVIS DE CONFORMITÉ AU RÈGLEMENT DE LA FCC

Le fabricant n'est pas responsable des interférences radio causées par des modifications non autorisées de cet outil. De telles modifications peuvent annuler le droit de l'utilisateur de se servir de cet outil.

Cet appareil est conforme à l'alinéa 15 du règlement de la FCC. Son fonctionnement est soumis aux deux conditions suivantes :

- (1) Cet appareil ne doit provoquer aucune interférence nuisible.
- (2) Cet appareil doit accepter toute interférence reçue, y compris des interférences susceptibles de causer un fonctionnement indésirable.

Les modifications non autorisées expressément par la partie responsable de la conformité peuvent annuler le droit de l'utilisateur de se servir de cet appareil.



REMARQUE : Cet appareil a été testé et déclaré conforme aux limites imposées aux appareils numériques de classe B, conformément à l’alinéa 15 du règlement de la FCC. Ces limites sont destinées à assurer une protection raisonnable contre les interférences nuisibles dans un environnement résidentiel. Cet outil génère, utilise et peut émettre de l’énergie radiofréquence. S’il n’est pas installé et utilisé conformément aux instructions, il risque de provoquer des interférences nuisibles aux communications radio. Cependant, tout risque d’interférence ne peut être totalement exclu. Si l’utilisateur constate des interférences lors de la réception d’émissions de radio ou de télévision (il suffit pour le vérifier d’allumer et d’éteindre successivement le dispositif), il devra prendre les mesures nécessaires pour les éliminer. À cette fin, il devra :

- réorienter ou déplacer l’antenne réceptrice;
- accroître la distance entre l’appareil et le récepteur;
- brancher l’article sur une prise de courant appartenant à un autre circuit que celui du récepteur;
- obtenir de l’aide auprès du détaillant ou d’un technicien en radio ou en télévision expérimenté.

⚠ DANGER

Les personnes qui portent des dispositifs électroniques, comme un stimulateur cardiaque, doivent consulter leur médecin avant d’utiliser l’article. L’utilisation d’équipement électrique à proximité d’un stimulateur cardiaque peut causer des interférences et l’arrêt du stimulateur.

RÈGLES DE SÉCURITÉ POUR LE BRANCHEMENT SUR UN BLOC D’ALIMENTATION EXTERNE

⚠ AVERTISSEMENT

Lisez toutes les instructions et assurez-vous de les suivre avant de brancher l’outil sur une source d’alimentation externe, comme une alimentation électrique de c.a. ou une source d’alimentation portable de c.c. Le fait de ne pas respecter toutes les consignes de sécurité ci-dessous peut occasionner une décharge électrique, une explosion, un incendie ou des blessures graves.

Utilisez uniquement un adaptateur d’une puissance de sortie de 5 V et d’une intensité de sortie inférieure ou égale à 0,5 A.

Assurez-vous que l’adaptateur est conçu pour fonctionner avec une alimentation électrique c.a. avant d’effectuer le branchement.

Assurez-vous que la tension de sortie de la source d’alimentation portable est de 5 V et que l’intensité de sortie est égale ou inférieure à 0,5 A avant de procéder au raccordement.

Assurez-vous que l’adaptateur est toujours propre. Vérifiez l’adaptateur, le câble et la prise avant de procéder au branchement. Si vous repérez des dommages, n’utilisez pas l’outil et ne tentez pas de le réparer vous-même. Remplacez l’élément endommagé ou confiez la réparation à un technicien autorisé, autrement un choc électrique pourrait survenir.

Ne le branchez pas à une source d’alimentation de c.a. sur des surfaces facilement inflammables (papier, tissus, etc.) ni à proximité de celles-ci. La chaleur dégagée par l’adaptateur pendant son utilisation peut poser un risque d’incendie.





Les enfants ou les personnes qui présentent des limitations physiques, sensorielles ou mentales, ou qui ont un manque d’expérience ou de connaissances ne sont pas capables d’utiliser l’adaptateur de façon sécuritaire à moins qu’une personne ne les surveille ou après avoir reçu une formation par une telle personne.

SYMBOLES

Symboles de sécurité

L'objectif des symboles de sécurité est d'attirer votre attention sur les dangers potentiels. Vous devez examiner attentivement et bien comprendre les symboles de sécurité et les explications qui les accompagnent. Les symboles d'avertissement en tant que tels n'éliminent pas le danger. Les consignes et les avertissements qui y sont associés ne remplacent en aucun cas les mesures préventives adéquates.

⚠ AVERTISSEMENT Assurez-vous de lire et de comprendre toutes les consignes de sécurité présentées dans le présent guide d'utilisation, notamment toutes les consignes de sécurité indiquées par « **DANGER** », « **AVERTISSEMENT** » et « **ATTENTION** » avant d'utiliser cet outil. Le non-respect des consignes qui suivent peut entraîner un choc électrique, un incendie ou des blessures graves.

Les définitions ci-dessous décrivent le degré de gravité pour chaque mot-indicateur. Veuillez vous assurer de lire ce manuel et de prêter attention à ces symboles.	
	Voici le pictogramme d'alerte de sécurité. Il sert à vous indiquer les risques potentiels de blessures. Respectez toutes les consignes de sécurité associées à ce pictogramme pour éviter les risques de blessures ou de mort.
	DANGER indique un danger imminent qui, s'il n'est pas évité, causera des blessures graves ou la mort.
	AVERTISSEMENT indique un risque pouvant entraîner des blessures graves ou la mort s'il n'est pas prévenu.
	ATTENTION, utilisée avec le symbole d'alerte de sécurité, indique un risque potentiel qui, s'il n'est pas éliminé, provoquera des blessures mineures ou moyennement graves.









Messages d'information et de prévention des dommages

Ces messages contiennent des renseignements importants à l'intention de l'utilisateur ainsi que des consignes à respecter. Le non-respect de celles-ci peut occasionner des dommages à l'équipement ou d'autres dommages matériels. Chaque message est précédé du mot « AVIS », comme dans l'exemple ci-dessous :

AVIS : Le non-respect des consignes peut occasionner des dommages à l'équipement ou d'autres dommages matériels.

IMPORTANT : Les symboles suivants peuvent figurer sur votre outil. Familiarisez-vous avec eux et apprenez leur signification. En comprenant ces symboles, vous serez en mesure de faire fonctionner cet outil de façon adéquate et sécuritaire.

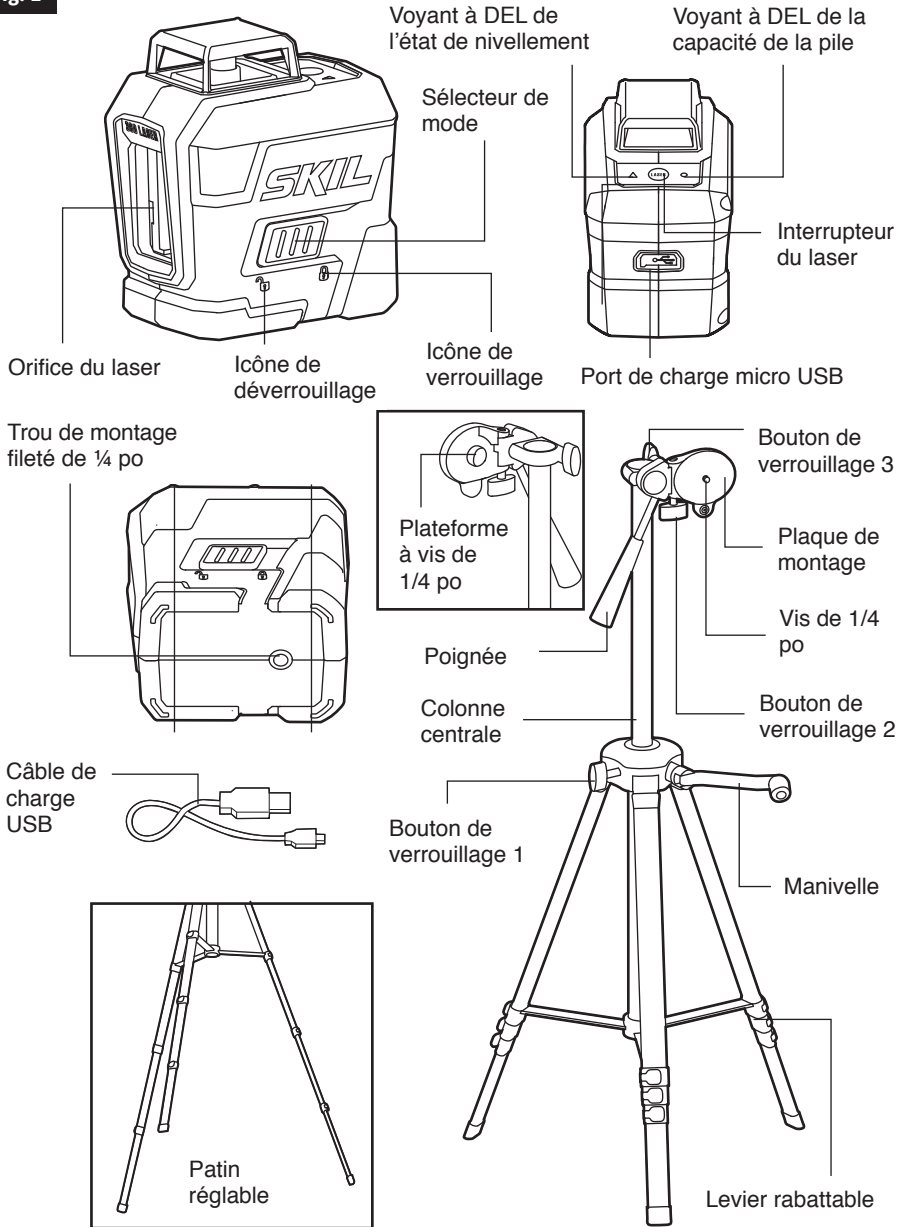
Symbole	Nom	Forme au long et explication
V	Volts	Tension (possible)
A	Ampères	Courant
mW	Milliwatt	Alimentation

Symbole	Nom	Forme au long et explication
nm	Nanomètre	Longueur d'onde
kg	Kilogrammes	Poids
min	Minutes	Durée
s	Secondes	Durée
Wh	Watheures	Capacité de la pile
mAh	Milliampère-heure	Capacité de la pile
	Courant continu	Type de courant ou caractéristique de courant
	Icône de déverrouillage	Faites glisser le sélecteur de mode en direction de l'icône. L'outil passera en mode nivellement automatique et le laser en croix s'allumera
	Icône de verrouillage	Faites glisser le sélecteur de mode en direction de l'icône. L'outil s'éteindra et se verrouillera.
	Voyant à DEL de l'état de nivellement	Si l'outil est placé hors de la portée du nivellement automatique (angle supérieur ou égal à 4° par rapport à l'axe horizontal) en mode de nivellement automatique ou lorsque l'outil fonctionne en mode de nivellement manuel, le voyant s'allumera en rouge.
	Voyant à DEL de la capacité de la pile	La couleur varie en fonction de la capacité de la pile, du repos de l'outil pendant la charge et de l'utilisation normale
	Interrupteur du laser	Pour mettre en marche ou éteindre le niveau laser à croix et à nivellement automatique 360° en mode manuel, faites passer la projection en mode nivellement automatique ou en mode nivellement manuel
	Logo d'efficacité énergétique de la CEC	Logo de certification de la CEC pour le système de charge de la pile
	Sceau du programme de recyclage des piles au lithium-ion	Désigne le programme de recyclage des piles au lithium-ion
	Symbole de lecture du manuel	Invite l'utilisateur à lire le manuel

APPRENEZ À CONNAÎTRE VOTRE OUTIL LASER

Ce niveau laser à croix rouge et à nivellement automatique 360° est très polyvalent. Vous pouvez le tenir à la main, le mettre à niveau sur une surface plane ou le fixer sur un trépied (inclus).

Fig. 1



LISTE DES PIÈCES CONTENUES DANS L'EMBALLAGE

NOM DE PIÈCE	QTÉ
Niveau compact à rayon laser rouge en croix et à nivellement automatique 360°	1
Trépied	1
Câble de charge USB	1
Sac souple	1
Manuel d'instructions	1

CARACTÉRISTIQUES TECHNIQUES

Tension du bloc-pile	Pile au lithium de 1200 mAh et 3,7 V
Laser	$\lambda = 635 \text{ nm}$, laser de classe II, sortie maximale du laser < 1 mW
Portée pour le nivellement automatique	$\pm 4^\circ$
Précision	$\pm 0,47 \text{ cm}$ à 9,14 m (0,5 mm / m)
Plage de fonctionnement (varie en fonction de l'éclairage dans la pièce)*	20 m (65 pieds)
Durée de fonctionnement	10 heure
Température de fonctionnement optimale	de $-5 \text{ }^\circ\text{C}$ à $40 \text{ }^\circ\text{C}$ (de $23 \text{ }^\circ\text{F}$ à $104 \text{ }^\circ\text{F}$)
Température de rangement	de $-20 \text{ }^\circ\text{C}$ à $70 \text{ }^\circ\text{C}$ (de $-4 \text{ }^\circ\text{F}$ à $158 \text{ }^\circ\text{F}$)
* Important : Dans des conditions peu propices, par exemple sous un soleil radieux, la plage de fonctionnement de l'outil sera réduite.	

MODE D'EMPLOI

⚠ AVERTISSEMENT Pour réduire les risques d'incendie, de blessures corporelles et de détérioration de l'outil découlant d'un court-circuit, ne plongez jamais l'outil ou le chargeur dans un liquide et ne laissez aucun liquide s'écouler sur ceux-ci. Les liquides corrosifs ou conducteurs, tels que l'eau de mer, certains produits chimiques industriels, l'eau de javel, des produits contenant de l'eau de Javel, etc., peuvent provoquer un court-circuit.

Utilisations

Vous pouvez tenir votre niveau laser en croix à nivellement automatique 360° à la main pour faire du marquage et des alignements simples ou l'utiliser pour faire une « ligne à la craie » en mode verrouillé. Vous pouvez aussi le fixer sur un trépied standard de ¼ po pour projeter des lignes laser sur les murs. Il est idéal pour les utilisations suivantes :

- suspendre des images, des photos ou des œuvres d'art sur les murs
- Poser du papier peint et des œuvres au pochoir
- Poser des cadres de portes et de fenêtres
- Installer un câblage électrique et des tuyaux
- Installer des luminaires muraux, des prises de courant, des interrupteurs et des luminaires
- Installer un faux plafond
- Peindre
- Installer des placards
- Poser des carreaux et des revêtements de sol

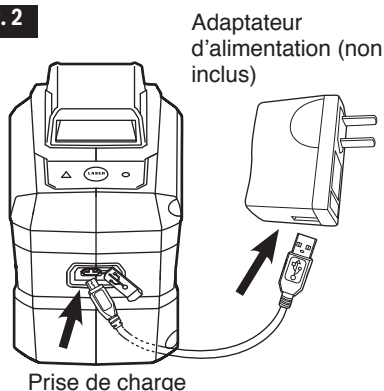
Charger l'outil et surveiller la charge

REMARQUE : L'outil est partiellement chargé au moment de la livraison. Chargez la pile avant la première utilisation.

Une fois la pile déchargée, rechargez l'outil pendant environ 3 heures. Il n'est pas recommandé de recharger l'outil pendant plus de 24 heures après chaque utilisation.

- Insérez le connecteur USB du câble de chargement USB dans le port USB de l'adaptateur d'alimentation (non inclus).
- Insérez la prise de charge dans le port de charge de l'outil en vous assurant de la brancher correctement.
- Branchez l'adaptateur d'alimentation (auquel est rattaché le câble USB) sur une prise de courant. (fig. 2)

Fig. 2



Le voyant à DEL de la capacité de la pile clignotera continuellement de différentes couleurs durant le processus de chargement.


- Durant la charge, le voyant à DEL de la capacité de la pile clignote en rouge quand la capacité atteint un niveau suffisant pour faire fonctionner l'outil pendant environ 30 minutes ou moins.
- Durant la charge, le voyant à DEL clignote en jaune quand la capacité de la pile chargée atteint un niveau suffisant pour faire fonctionner l'outil pendant plus de 30 minutes, mais sans avoir atteint 90 % de sa pleine capacité.
- Durant la charge, le voyant à DEL clignote en vert quand la pile chargée a atteint plus de 90 % de sa pleine capacité.
- Le voyant à DEL reste vert quand la pile a atteint sa pleine capacité de charge.

N'oubliez pas de retirer le câble de chargement USB de l'outil lorsque la charge est terminée.

Durant son utilisation normale, le voyant à DEL de la capacité de la pile s'allume de différentes couleurs pour indiquer approximativement la capacité de la pile restante.

- Lorsque le voyant à DEL s'allume en vert, cela signifie que la charge de la batterie est supérieure à 40 % de sa pleine capacité.
- Lorsque le voyant à DEL s'allume en jaune, cela signifie que la charge de la batterie est inférieure à 40 % de sa pleine capacité.
- Lorsque le voyant à DEL s'allume en rouge, cela signifie que l'outil ne peut fonctionner que pendant environ 30 minutes avant de s'éteindre automatiquement.

Pour mettre en marche et éteindre le niveau laser en croix à nivellement automatique 360°

 AVERTISSEMENT Lorsque vous mettez en marche le niveau laser en croix à nivellement automatique 360°, protégez toujours vos yeux et ceux des personnes autour de vous. Ne pointez jamais le niveau laser en croix à nivellement automatique 360° en direction du visage de quiconque, y compris le vôtre.

Pour mettre en marche le niveau laser en croix à nivellement automatique 360°, faites glisser le commutateur de mode du côté de l'icône « déverrouillé » ou appuyez sur le bouton laser si le commutateur de mode est du côté de l'icône « verrouillé ».

Si le niveau laser en croix à nivellement automatique 360° est en marche et si le commutateur de mode est du côté de l'icône « déverrouillé », faites glisser le commutateur de mode du côté de l'icône « verrouillé » pour l'éteindre.

Si le niveau laser en croix à nivellement automatique 360° est en marche et si le commutateur de mode est du côté de l'icône « verrouillé », appuyez plusieurs fois sur le bouton laser jusqu'à ce que le niveau s'éteigne.

Modes de projection de la ligne laser

Le niveau laser en croix à nivellement automatique 360° a trois modes de projection du laser. Pour sélectionner un mode de projection du laser, appuyez à plusieurs reprises sur le bouton laser jusqu'à ce que vous obteniez le mode de projection souhaité. Cet outil laser utilise par défaut le mode avec un motif de réticule en croix lors de sa mise en marche. Pour choisir un mode de projection, appuyez sur le bouton laser :

- Appuyez sur le bouton une fois pour sélectionner la ligne laser horizontale.
- Appuyez sur le bouton deux fois pour sélectionner la ligne laser verticale.
- En mode nivellement automatique, appuyez sur le bouton trois fois pour revenir au motif de réticule en croix. En mode nivellement manuel, appuyez sur le bouton trois fois pour éteindre le laser. Appuyez de nouveau sur le bouton laser pour retrouver le motif de réticule en croix.

Mode nivellement automatique (fig. 3)

Votre niveau laser en croix à nivellement automatique 360° a deux modes de fonctionnement: le mode nivellement automatique et le mode nivellement manuel.

En mode nivellement automatique, l'outil se met lui-même de niveau s'il est placé dans un angle de $\pm 4^\circ$ par rapport à l'axe horizontal.

Déposez le niveau laser en croix à nivellement automatique 360° sur une surface plane et lisse, en ne dépassant pas $\pm 4^\circ$ par rapport à l'axe horizontal.

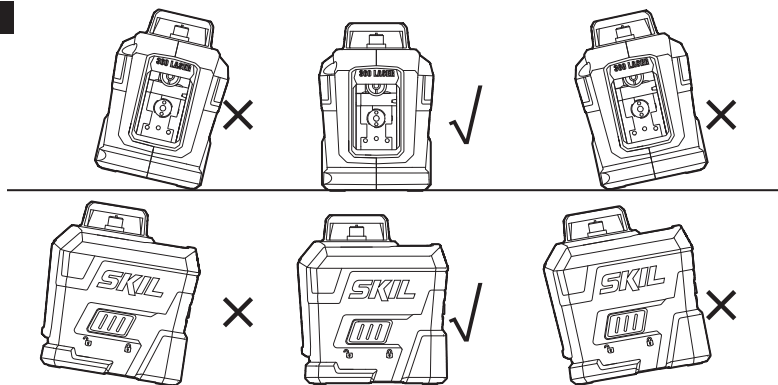
Mettez l'outil en marche en faisant glisser le commutateur de mode du côté de l'icône « déverrouillé ». Le niveau laser en croix compact à nivellement automatique se mettra automatiquement de niveau dans les 6 secondes.

Appuyez sur le bouton laser jusqu'à ce que vous atteigniez le mode de projection laser souhaité et que la ligne laser soit projetée de l'ouverture laser.

Si vous déposez le niveau laser en croix à nivellement automatique 360° sur une surface dont l'angle est supérieur à $\pm 4^\circ$ par rapport à l'axe horizontal, la ligne laser clignotera et le voyant à DEL rouge s'allumera en guise d'avertissement. Dans ce cas, ajustez légèrement l'angle de la surface.

Pour éteindre les lignes laser, faites glisser le commutateur de mode du côté de l'icône « verrouillé ».

Fig. 3



Mode nivellement manuel

Laissez le commutateur de mode en position « verrouillé », puis appuyez sur le bouton laser pour mettre le laser en marche. Les lignes laser sont maintenant verrouillées et ne sont plus nivelées automatiquement.

Appuyez à plusieurs reprises sur le bouton laser pour changer le mode de projection laser : horizontal, vertical ou réticulé.

En mode nivellement manuel, le voyant à DEL de l'état de nivellement s'allume toujours en rouge; les lignes laser sont projetées de façon continue et ne clignotent pas, même si l'angle de la pente est supérieur à 4° . Appuyez à plusieurs reprises sur le bouton laser jusqu'à ce que le laser s'éteigne.

Utilisation avec le trépied

Le trépied offre un soutien stable en plus d'être réglable en hauteur (jusqu'à 109,22 cm).

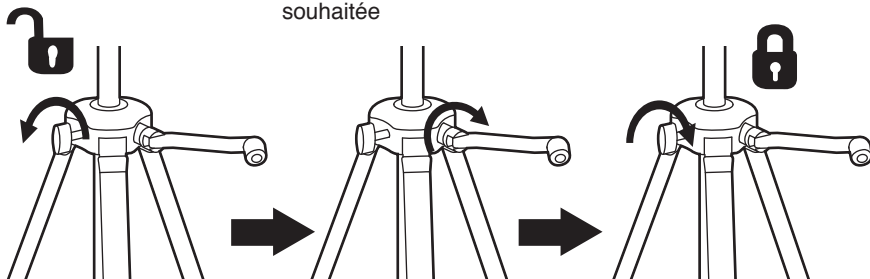
Vissez la vis de ¼ po du trépied dans le trou de montage fileté de ¼ po de l'outil.

Resserrez l'outil sur la plateforme à vis de 1/4 po du trépied.

Desserrez le bouton de verrouillage 1. Faites tourner la manivelle jusqu'à la hauteur souhaitée. Serrez le bouton de verrouillage 1 pour verrouiller la colonne centrale en place. (fig. 4)

Fig. 4

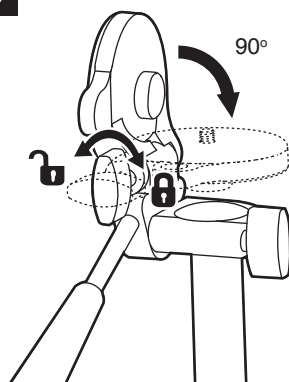
Soulevez manuellement la colonne jusqu'à la hauteur souhaitée



Desserrez le bouton de verrouillage 2.

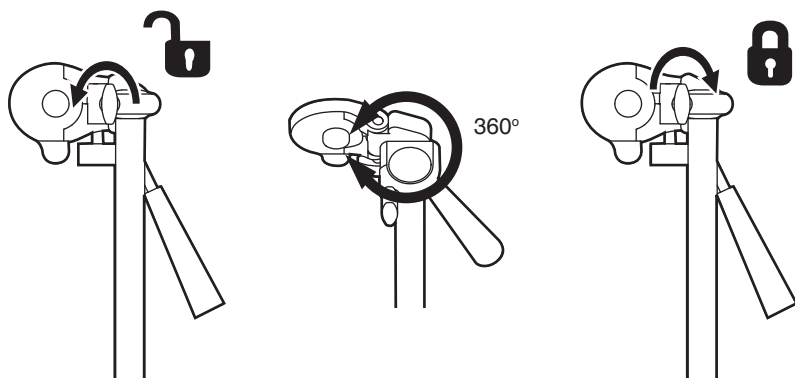
Ajustez la position de la plaque de montage; l'ajustement maximal est de 90°. Après le réglage, serrez le bouton de verrouillage 2 pour verrouiller la plaque de montage en place (fig. 5).

Fig. 5



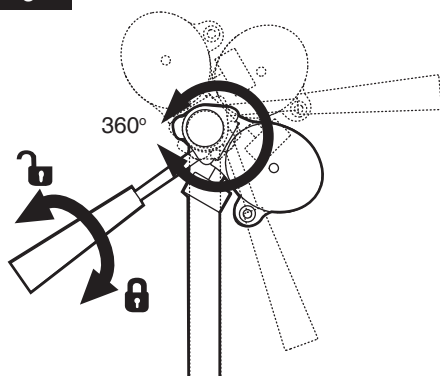
Desserrez le bouton de verrouillage 3 pour faire pivoter la tête vers la gauche ou vers la droite. L'ajustement maximal est de 360°. Après le réglage, serrez le bouton de verrouillage 3 pour verrouiller la position (fig. 6).

Fig. 6

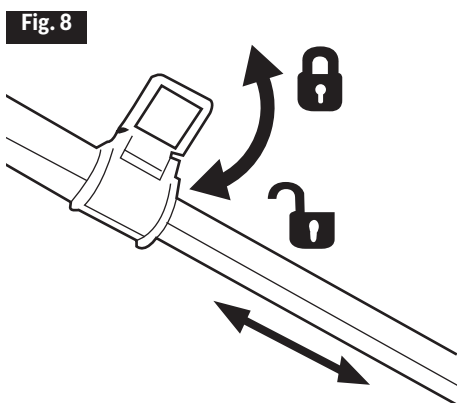


Desserrez la poignée en la faisant tourner dans le sens contraire des aiguilles d'une montre. Vous pouvez incliner la plaque de montage en déplaçant la poignée vers le haut ou vers le bas; l'ajustement maximal est de 360°. Après le réglage, serrez la poignée dans le sens des aiguilles d'une montre pour verrouiller la position. (fig. 7)

Fig. 7



Soulevez les trois leviers rabattables d'une patte pour ajuster celle-ci. Étirez la patte jusqu'à la hauteur souhaitée. Rabattez les leviers pour verrouiller la patte en place. Répétez ces étapes pour les deux autres pattes (fig. 8).



ENTRETIEN

Cet outil est conçu pour nécessiter un faible entretien. Toutefois, vous devez toujours suivre ces directives simples afin de préserver sa performance.

- Évitez de faire subir des chocs, des vibrations continues ou des températures extrêmes (chaudes ou froides) à l'outil.
- Rangez toujours l'outil à l'intérieur.
- Protégez toujours l'outil de la poussière et des liquides. Utilisez uniquement un linge propre et doux pour nettoyer l'outil. Évitez d'utiliser des solvants.
- Ne démontez pas l'outil. Vous vous exposeriez à des radiations dangereuses.
- N'essayez pas de changer une pièce de la lentille laser.
- Ne jetez pas cet article au feu; les piles à l'intérieur de l'article risqueraient de couler ou d'exploser.
- Lorsque vous avez terminé d'utiliser l'outil, assurez-vous toujours que l'interrupteur est du côté « verrouillé »

DÉPANNAGE

Problème	Cause	Solution
La ligne laser n'est pas projetée.	La charge du bloc-pile est trop faible.	Rechargez le bloc-piles.
La ligne laser est difficile à voir.	L'outil est trop loin de la cible.	Rapprochez l'outil de la cible.
La ligne laser clignote en guise d'avertissement.	La surface sur laquelle l'outil a été déposé est inégale ou l'outil est en dehors de sa portée pour le nivellement automatique.	<ol style="list-style-type: none">1. Déposez l'outil sur une surface plus plane (de $\pm 4^\circ$ de l'axe horizontal).2. Réglez l'outil à son mode de nivellement manuel.



Recyclage

Pour préserver les ressources naturelles, veuillez recycler ou jeter les piles de manière appropriée. Cet article contient des piles au lithium-ion. La législation locale, provinciale ou fédérale peut interdire la mise au rebut des piles au lithium-ion dans les ordures ménagères. Consultez l'organisme local de gestion des déchets au sujet des possibilités offertes en ce qui concerne la mise au rebut ou le recyclage.

GARANTIE LIMITÉE DE L'OUTIL SKIL

GARANTIE LIMITÉE DE 5 ANS

Chervon North America, Inc. (le « vendeur ») garantit à l'acheteur initial seulement que tous les OUTILS SKIL destinés à un usage résidentiel seront exempts de défauts de matériaux ou de fabrication pour une période de cinq ans à compter de la date d'achat si l'acheteur initial enregistre l'article dans les 30 jours suivant la date d'achat. LES PILES ET LES CHARGEURS sont garantis pour une période de 2 ans. L'enregistrement de l'article peut être effectué en ligne au www.Registtermyskil.com. De plus, nous recommandons aux acheteurs initiaux de conserver leur reçu comme preuve d'achat. LA PÉRIODE DE GARANTIE DE CINQ ANS SUR LES OUTILS EST CONDITIONNELLE À L'ENREGISTREMENT DE L'ARTICLE DANS LES 30 JOURS SUIVANT LA DATE D'ACHAT. Si les acheteurs initiaux n'enregistrent pas leur article dans le délai prévu, la garantie limitée sur les outils électriques susmentionnée ne s'appliquera que pour une période de trois ans. Toutes les piles et tous les chargeurs demeureront couverts par la garantie limitée de deux ans.

Nonobstant les dispositions précédentes, si un outil SKIL destiné à un usage résidentiel est utilisé à des fins industrielles, professionnelles ou commerciales, la garantie susmentionnée ne s'appliquera que pour une période de quatre-vingt-dix (90) jours, que l'article ait été enregistré ou non.

LA SEULE OBLIGATION DU VENDEUR ET VOTRE RECOURS EXCLUSIF au titre de cette garantie limitée et, dans les limites permises par la loi, de toute garantie ou condition prévue par la loi, est la réparation ou le remplacement, sans frais, des pièces qui présentent un défaut matériel ou de fabrication, qui n'ont pas fait l'objet d'un usage abusif ou inapproprié et qui n'ont pas été réparées par des personnes autres que le vendeur ou un technicien d'un centre de service autorisé. Pour effectuer une réclamation au titre de la présente garantie limitée, vous devez retourner, port payé, l'article en entier à un centre de service de l'usine de SKIL ou à un centre de service autorisé. Pour communiquer avec un centre de service autorisé de SKIL Power Tools, veuillez visiter le www.Registtermyskil.com ou composer le 1 877 SKIL-999 (1 877 754-5999).

CETTE GARANTIE LIMITÉE NE S'APPLIQUE PAS AUX ACCESSOIRES TELS QUE LES LAMES DE SCIE CIRCULAIRE, LES FORETS, LES FRAISES À TOUPIE, LES LAMES DE SCIE SAUTEUSE, LES COURROIES DE PONÇAGE, LES MEULES ET LES AUTRES ACCESSOIRES CONNEXES.

TOUTE GARANTIE IMPLICITE APPLICABLE À UN ARTICLE EST LIMITÉE À UNE DURÉE ÉGALE À LA DURÉE DES GARANTIES EXPRESSES APPLICABLES À UN TEL ARTICLE, COMME IL EST INDIQUÉ AU PREMIER PARAGRAPHE DE CETTE GARANTIE. CERTAINS ÉTATS DES ÉTATS-UNIS ET CERTAINES PROVINCES DU CANADA NE PERMETTENT PAS DE LIMITATIONS QUANT À LA DURÉE DES GARANTIES IMPLICITES, DE SORTE QUE LES LIMITATIONS INDIQUÉES CI-DESSUS PEUVENT NE PAS S'APPLIQUER À VOUS.

LE VENDEUR NE SERA EN AUCUN CAS TENU RESPONSABLE DES DOMMAGES ACCESSOIRES OU CONSÉCUTIFS (Y COMPRIS, SANS TOUTEFOIS S'Y LIMITER, DES PERTES DE PROFIT) RÉSULTANT DE LA VENTE OU DE L'USAGE DE CET ARTICLE. CERTAINS ÉTATS DES ÉTATS-UNIS ET CERTAINES PROVINCES DU CANADA NE PERMETTENT PAS L'EXCLUSION OU LA LIMITATION DES DOMMAGES ACCESSOIRES OU CONSÉCUTIFS, DE SORTE QUE LA LIMITATION OU L'EXCLUSION SUSMENTIONNÉE POURRAIT NE PAS S'APPLIQUER À VOUS.

CETTE GARANTIE LIMITÉE VOUS CONFÈRE DES DROITS PRÉCIS. IL EST POSSIBLE QUE VOUS DISPOSIEZ ÉGALEMENT D'AUTRES DROITS, QUI VARIENT D'UN ÉTAT, D'UNE PROVINCE OU D'UN PAYS À L'AUTRE.

CETTE GARANTIE LIMITÉE S'APPLIQUE UNIQUEMENT AUX ARTICLES VENDUS AUX ÉTATS-UNIS D'AMÉRIQUE, AU CANADA ET À L'ÉTAT LIBRE DE PORTO RICO. POUR CONNAÎTRE LA COUVERTURE DE LA GARANTIE DANS D'AUTRES PAYS, VEUILLEZ COMMUNIQUER AVEC VOTRE DÉTAILLANT OU IMPORTATEUR SKIL LOCAL.

© Chervon North America, 1203 E. Warrenville Rd, Naperville, IL 60563.

03/18

ÍNDICE

Advertencias Generales De Seguridad En El Manejo De Herramientas Láser.....	34
Declaración De La Fcc	34-35
Reglas De Seguridad Para La Conexión Del Suministro Externo De Electricidad	35
Símbolos	36-37
Conozca Su Herramienta Láser	38
Lista De Empaque	39
Especificaciones	39
Instrucciones De Funcionamiento.....	40-45
Mantenimiento	46
Solución De Problemas	46
Garantía Limitada De La Herramienta Skil	47-48

ADVERTENCIAS GENERALES DE SEGURIDAD EN EL MANEJO DE HERRAMIENTAS LÁSER

LEA TODAS LAS INSTRUCCIONES ANTES DE USAR LA HERRAMIENTA.



ADVERTENCIA

RADIACIÓN LÁSER. No mire directamente el rayo. Producto láser Clase II. Encienda el rayo láser solo al momento de utilizar la

herramienta.

No retire ni dañe ninguna etiqueta del producto.

Evite la exposición directa a los ojos. El rayo láser puede causar encandilamiento.

No utilice la herramienta cerca de niños ni permita que estos la utilicen.

No coloque la herramienta en una posición que pueda causar que alguien mire directamente el rayo láser, ya sea intencionalmente o no.

No la utilice en superficies brillantes y reflexivas, como láminas de acero. La superficie brillante puede reflejar el rayo hacia el operador.

Siempre apague la herramienta láser cuando no la utilice. Dejar la herramienta encendida aumenta el riesgo de que alguien mire el láser de forma inadvertida.

No intente modificar el rendimiento de este dispositivo láser de ninguna forma. Esto puede provocar una exposición peligrosa a la radiación láser.

No intente reparar ni desensamblar la herramienta. Si personas no calificadas intentan reparar este producto, pueden provocarse lesiones graves. Solo el personal de servicio calificado puede reparar este producto láser.

El uso de otros accesorios diseñados para utilizarse con otras herramientas láser puede provocar lesiones graves.

No utilice la herramienta en exteriores.

No coloque ni guarde la herramienta bajo condiciones de temperatura extremas.

DECLARACIÓN DE LA FCC

El fabricante no es responsable por la interferencia de radio causada por modificaciones no autorizadas a este equipo. Dichas modificaciones podrían anular la autorización del usuario para utilizar el equipo.

Este dispositivo cumple con la Sección 15 de las reglas de la FCC. El funcionamiento está sujeto a las siguientes dos condiciones:

- (1) Este dispositivo no debe causar interferencia perjudicial.
- (2) Este dispositivo deberá aceptar cualquier interferencia recibida, incluida la interferencia que pudiese causar un funcionamiento no deseado.

Los cambios o modificaciones que no estén expresamente aprobados por la parte responsable del cumplimiento podrían anular la autorización del usuario para utilizar el equipo.



NOTA: este equipo ha sido probado y se ha verificado que cumple los límites para un dispositivo digital Clase B, conforme a la Sección 15 de las reglas de la FCC. Estos límites se han diseñado para proporcionar una protección razonable contra la interferencia perjudicial en una instalación residencial. Este equipo genera, utiliza y puede irradiar energía de radiofrecuencia y, si no se instala y usa de acuerdo con las instrucciones, puede causar interferencia perjudicial a las comunicaciones de radio. Sin embargo, no se garantiza que no se producirán interferencias en una instalación en especial. Si este equipo genera una interferencia perjudicial para la recepción de radio o televisión, lo que se puede determinar apagando y encendiendo el equipo, se recomienda al usuario que intente corregir la interferencia con una o más de las siguientes medidas:

- Reorientar o reubicar la antena de recepción.
- Aumentar la separación entre el equipo y el receptor.
- Conectar el equipo a un tomacorriente de un circuito distinto al que usa el receptor.
- Solicitar ayuda al distribuidor o a un técnico con experiencia en radio/TV.

⚠ PELIGRO

Las personas con dispositivos electrónicos, como marcapasos, deben consultar a su médico antes de usar este producto. El funcionamiento del equipo eléctrico en proximidad de un marcapasos cardíaco puede causar interferencias o hacer que el marcapasos falle.

REGLAS DE SEGURIDAD PARA LA CONEXIÓN DEL SUMINISTRO EXTERNO DE ELECTRICIDAD

⚠ ADVERTENCIA

Lea y siga todas las instrucciones a continuación antes de conectar una fuente de alimentación externa, como el suministro de CA o la alimentación móvil de CC. El incumplimiento de las siguientes instrucciones puede provocar descargas eléctricas, explosiones, incendios y/o lesiones personales graves.

Use solo un adaptador cuyo voltaje de salida sea de 5 V y la electricidad de salida sea de $\geq 0,5$ A.

Confirme que el adaptador corresponde al suministro de CA antes de conectarlo.

Confirme que la fuente de alimentación móvil tenga un voltaje de salida de 5 V y una electricidad de salida de $\geq 0,5$ A antes de realizar la conexión.

Mantenga el adaptador limpio. Antes de realizar la conexión, revise el adaptador, cable y enchufe. Si encuentra daños, no use los artículos ni los repare por su cuenta, cambie el producto dañado o solicite a personal de servicio autorizado que efectúe las reparaciones, de lo contrario podría sufrir una descarga eléctrica.

No conecte con el suministro de CA en superficies inflamables (por ejemplo, papel, textiles, etc.) o alrededor de estas. El calentamiento del adaptador durante el uso puede generar un incendio.





Los niños o personas con limitaciones físicas, sensoriales o mentales o sin experiencia ni conocimiento no son capaces de operar el adaptador de manera segura, a menos que cuenten con supervisión o hayan sido capacitados por una persona responsable.

SÍMBOLOS

Símbolos de seguridad

El objetivo de los símbolos de seguridad es captar su atención ante posibles peligros. Los símbolos de seguridad y las explicaciones que se dan merecen su atención y comprensión cuidadosa. Las advertencias del símbolo no eliminan por sí mismas ningún peligro. Las instrucciones y las advertencias que se dan no son sustitutos de las medidas adecuadas de prevención de accidentes.

⚠️ ADVERTENCIA Asegúrese de leer y de comprender todas las instrucciones de seguridad en este manual del operador, incluidos todos los símbolos de alerta de seguridad como "PELIGRO", "ADVERTENCIA" Y "PRECAUCIÓN" antes de usar esta herramienta. El incumplimiento de las siguientes instrucciones puede provocar descargas eléctricas, incendios y/o lesiones personales graves.

Las definiciones que se ofrecen a continuación describen el nivel de gravedad de cada símbolo. Lea el manual y preste atención a dichos símbolos.	
	Este es el símbolo de advertencia de seguridad. Se utiliza para advertirlo de los peligros de posibles lesiones personales. Cumpla con todos los mensajes de seguridad a continuación de este símbolo para evitar posibles lesiones o consecuencias fatales.
	PELIGRO indica una situación de peligro que, de no evitarse, ocasionará la muerte o lesiones graves.
	ADVERTENCIA indica una situación potencialmente peligrosa que, de no evitarse, puede ocasionar la muerte o lesiones graves.
	PRECAUCIÓN, se usa con el símbolo de advertencia de seguridad e indica una situación peligrosa que, de no evitarse, puede causar lesiones menores o moderadas.










Mensajes de prevención de daños e información

Estos mensajes informan al usuario sobre informaciones y/o instrucciones importantes que, de no seguirse, pueden causar daños al equipo o la propiedad. Antes de cada mensaje, aparece la palabra "AVISO", como en el ejemplo a continuación:

AVISO: Si no se siguen estas instrucciones se pueden producir daños al equipo o la propiedad.

IMPORTANTE: Algunos de los siguientes símbolos pueden aparecer en sus herramientas. Obsérvelos y conozca su significado. La interpretación correcta de estos símbolos le permitirá utilizar la herramienta de manera eficaz y segura.

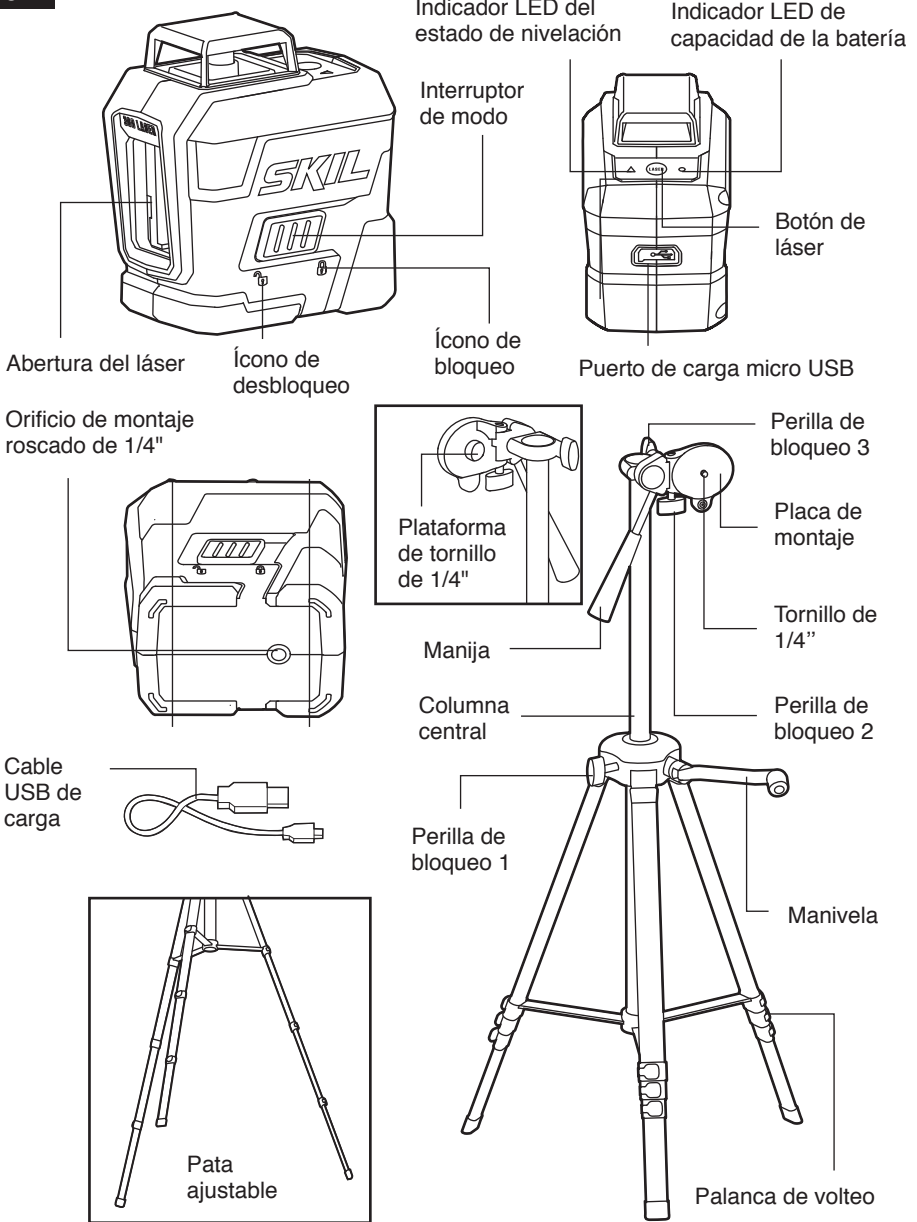
Símbolo	Nombre	Designación/Explicación
V	Voltios	Voltaje (potencial)
A	Amperios	Corriente
mW	Milivatio	Potencia

Símbolo	Nombre	Designación/Explicación
nm	Nanómetro	Longitud de onda
kg	Kilogramos	Peso
min	Minutos	Hora
s	Segundos	Hora
Wh	Vatio por horas	Capacidad de la batería
mAh	Miliamperios por hora	Capacidad de la batería
	Corriente directa	Tipo o característica de corriente
	Ícono de desbloqueo	Mueva el interruptor de modo en la dirección del icono, se activará el modo de autonivelación de la herramienta y se encenderá el láser de líneas cruzadas
	Ícono de bloqueo	Mueva el interruptor de modo en la dirección del icono, la herramienta se apagará y bloqueará
	Indicador LED del estado de nivelación	Si la herramienta pasa del rango de autonivelación ($\pm 4^\circ$ con respecto a la horizontal) en el modo de autonivelación, o bien cuando la herramienta está funcionando en el modo de nivelación manual, se iluminará en rojo
	Indicador LED de capacidad de la batería	El estado del color varía con la capacidad de la batería; la herramienta reposa durante la carga y el uso normal
	Botón de láser	Para encender y apagar el láser autonivelante de líneas cruzadas de 360 grados en el modo de nivelación manual; cambie el modo de proyección láser tanto en nivelación automática como manual modos de nivelación
	Logotipo de ahorro de energía de CEC	Logotipo de certificación de CEC para el sistema de carga de la batería
	Sello de iones de litio de RBRC	Designa el programa de reciclaje de baterías de iones de litio
	Símbolo de lectura del manual	Indica al usuario leer el manual

CONOZCA SU HERRAMIENTA LÁSER

El láser autonivelante de líneas cruzadas rojas de 360 grados es una herramienta muy versátil. Se puede sujetar manualmente, nivelarse sobre una superficie o montarse en un trípode (incluido).

Fig. 1



LISTA DE EMPAQUE

NOMBRE DE LA PIEZA	CANT.
Láser autonivelante compacto de líneas cruzadas rojas de 360 grados	1
Trípode	1
Cable USB de carga	1
Bolsa suave	1
Manual de instrucciones	1

ESPECIFICACIONES

Voltaje de la batería	1200 mAh 3,7 V litio
Láser	$\lambda = 635 \text{ nm}$, láser Clase II, salida máxima de láser <1 mW
Rango de autonivelación	$\pm 4^\circ$
Precisión	$\pm 0,47 \text{ cm}$ (3/16 pulg.) a 9,14 m (30 pies) ($\pm 0,5 \text{ mm/m}$)
Rango de funcionamiento (normalmente, según la iluminación de la habitación)*	20 m (65 pies)
Tiempo de funcionamiento	10 horas
Temperatura óptima de funcionamiento	-5 °C a 40 °C (+23 °F a 104 °F)
Temperatura de almacenaje	-20 °C a 70 °C (-4 °F a 158 °F)
*Importante: En condiciones desfavorables, tales como la luz solar intensa, se reducirá el rango de funcionamiento de la herramienta.	

INSTRUCCIONES DE FUNCIONAMIENTO

⚠️ ADVERTENCIA Para reducir el riesgo de incendios, lesiones personales y daños al producto por un cortocircuito, nunca sumerja la herramienta ni el cargador en líquidos ni permita que los líquidos ingresen a estos. Los líquidos corrosivos o conductores, como el agua de mar, algunos productos químicos industriales y el blanqueador o los productos que contienen blanqueador, pueden generar un cortocircuito.

Aplicaciones

El láser autonivelante de líneas cruzadas de 360 grados puede sostenerse manualmente para marcar puntos y para alinear de manera simple por medio de la vista, o puede utilizarse para realizar una “marca de tiza” en el modo de bloqueo. También se puede montar en un trípode estándar de 1/4" (incluido) para proyectar líneas láser en las paredes. Es ideal para las siguientes aplicaciones:

- Colgar cuadros, fotos u obras de arte en las paredes
- Colocar papel tapiz y plantillas
- Enmarcar puertas y ventanas
- Instalar cableado eléctrico y tuberías
- Instalar ensambles de pared, tomacorrientes, interruptores y lámparas
- Instalar un falso techo
- Pintura
- Instalar armarios
- Colocar baldosas y pisos

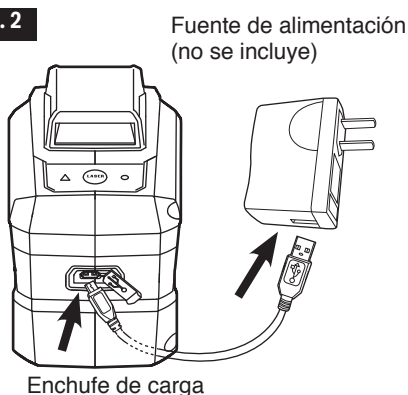
Cargue la herramienta y monitoree la carga

NOTA: la herramienta se envía parcialmente cargada; cargue la batería antes del primer uso.

Cuando se agote la batería, recargue la herramienta por aproximadamente 3 horas. No se recomienda recargarla durante más de 24 horas luego de cada uso.

- Inserte la interfaz USB del cable de carga USB en el puerto USB de la fuente de alimentación (no se incluye).
- Inserte el enchufe de carga en el puerto de carga de la herramienta y asegúrese de que ambos estén conectados correctamente.
- Conecte la fuente de alimentación (junto con el cable de carga USB) al tomacorriente (FIG. 2).

Fig. 2



El indicador LED de la capacidad de la batería parpadea constantemente en distintos colores durante el proceso de carga.

- El indicador LED parpadea en rojo durante la carga cuando la capacidad de la batería cargada permitirá que la herramienta funcione por aproximadamente 30 minutos o menos.


- La luz del indicador LED parpadea en amarillo durante la carga para señalar que la capacidad de la batería cargada permitirá que la herramienta funcione por más de 30 minutos, pero no ha alcanzado el 90% de su capacidad total.
- La luz del indicador LED parpadea en verde durante la carga para señalar que la batería ha alcanzado más del 90% de su capacidad total.
- La luz del indicador LED brilla de manera fija en verde cuando la batería ha alcanzado la capacidad de carga completa.

Recuerde retirar el cable de carga USB de la herramienta cuando se haya completado la carga.

Durante el uso normal, el indicador LED de la capacidad de la batería se iluminará continuamente en diferentes colores para mostrar la carga aproximada que queda de la batería.

- Cuando la luz del indicador LED se ilumina en verde, significa que la carga de la batería es más del 40% de la capacidad total.
- Cuando la luz del indicador LED se ilumina en amarillo, significa que la carga de la batería es menos del 40% de la capacidad total.
- Cuando la luz del indicador LED se ilumina en rojo, significa que la herramienta solo puede funcionar por unos 30 minutos antes de apagarse automáticamente.

Cómo encender y pagar el láser autonivelante de líneas cruzadas de 360 grados

 ADVERTENCIA Cuando encienda el láser autonivelante de líneas cruzadas de 360 grados, preocúpese siempre de proteger sus ojos y los de las personas que se encuentran alrededor. Nunca apunte el láser de líneas cruzadas de 360 grados al rostro de ninguna persona, incluido el suyo.

Para encender el láser autonivelante de líneas cruzadas de 360 grados, mueva el interruptor de modo hacia el ícono de desbloqueo, o bien presione el botón de láser cuando el interruptor de modo esté en la dirección del ícono de bloqueo.

Si el láser autonivelante de líneas cruzadas de 360 grados se enciende con el interruptor de modo hacia el ícono de desbloqueo, mueva el mismo interruptor hacia el ícono de bloqueo para apagar la herramienta.

Si el láser autonivelante de líneas cruzadas de 360 grados se enciende con el interruptor de modo en el ícono de bloqueo, presione el botón de láser reiteradamente hasta que la herramienta se apague.

Modos de proyección de la línea láser

El láser autonivelante de líneas cruzadas de 360 grados cuenta con tres modos de proyección del láser. Para seleccionar un modo específico de proyección del láser, presione el botón de láser reiteradamente hasta llegar al modo de proyección deseado. Cuando se enciende, la herramienta láser se configura de manera predeterminada al modo de diseño de líneas cruzadas. Para elegir un modo de proyección, presione el botón de láser.

- Presione el botón una vez para seleccionar la línea láser horizontal.
- Presione el botón dos veces para seleccionar la línea láser vertical.
- En el modo de autonivelación, presione el botón tres veces para volver al diseño de líneas cruzadas. En el modo de nivelación manual, presione el botón tres veces para apagar el láser. Presione el botón de láser nuevamente para reiniciar con el diseño de líneas cruzadas.

Modo de autonivelación (FIG. 3)

El láser autonivelante de líneas cruzadas rojas de 360 grados cuenta con dos modos de funcionamiento: modo de autonivelación y modo de nivelación manual.

En el modo de autonivelación, la herramienta se nivelará si se encuentra dentro de los $\pm 4^\circ$ en posición horizontal.

Coloque el láser autonivelante de líneas cruzadas de 360 grados sobre una superficie plana y lisa que esté dentro de los $\pm 4^\circ$ en posición horizontal.

Encienda la herramienta deslizando el interruptor de modo hacia el ícono de desbloqueo.

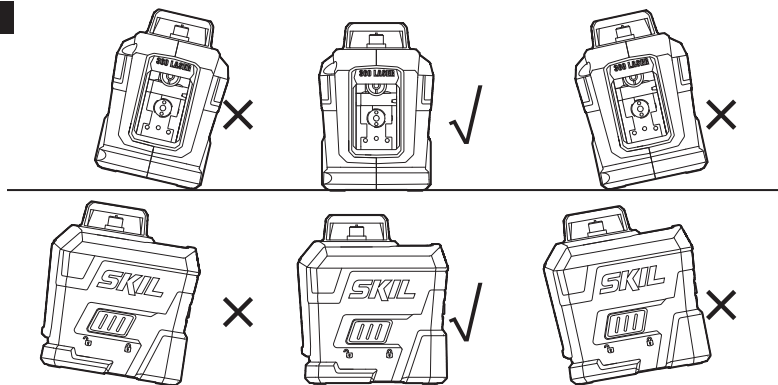
El láser autonivelante de líneas cruzadas de 360 grados se nivelará automáticamente en 6 segundos.

Presione el botón de láser hasta llegar al modo de proyección deseado y que la línea del láser se proyecte desde la abertura correspondiente.

Si la superficie donde se coloca el láser autonivelante de líneas cruzadas rojas de 360 grados supera los $\pm 4^\circ$ en posición horizontal, la línea láser parpadeará como una alarma y el indicador LED de advertencia se iluminará en rojo. Si esto sucede, ajuste levemente el ángulo de la superficie.

Para apagar las líneas láser, deslice el interruptor hacia el ícono de bloqueo.

Fig. 3



Modo de nivelación manual

Mantenga el interruptor de modo en la posición del ícono de bloqueo y presione el botón de láser para encender el láser. Ahora las líneas láser están bloqueadas y ya no funcionan en modo de autonivelación.

Presione el botón de láser repetidamente para cambiar el modo de proyección del láser: Horizontal, vertical o líneas cruzadas.

En el modo de nivelación manual, el indicador LED del estado de nivelación se ilumina en rojo, las líneas del láser se proyectan de manera continua y no parpadean, incluso si el ángulo de inclinación excede los 4° . Presione el botón de láser reiteradamente hasta que la herramienta se apague.

Uso con el trípode

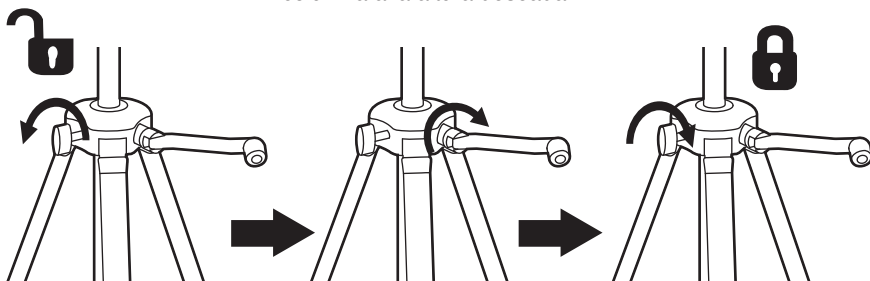
El trípode proporciona un soporte estable y ajustable en altura (hasta 109 cm [43 pulgadas]). Enrosque el tornillo de 1/4" del trípode en el orificio de montaje roscado de 1/4" de la herramienta.

Apriete la herramienta con la plataforma de tornillo del trípode de 1/4".

Afloje la perilla de bloqueo 1. Gire la manivela hasta lograr la altura deseada. Apriete la perilla de bloqueo 1 para bloquear la posición de la columna central. (FIG. 4)

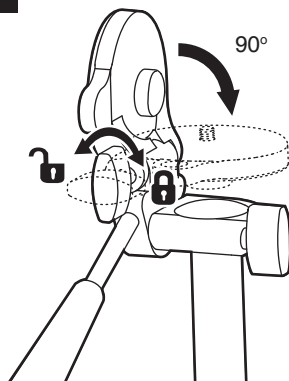
Fig. 4

Levante manualmente la columna a la altura deseada.



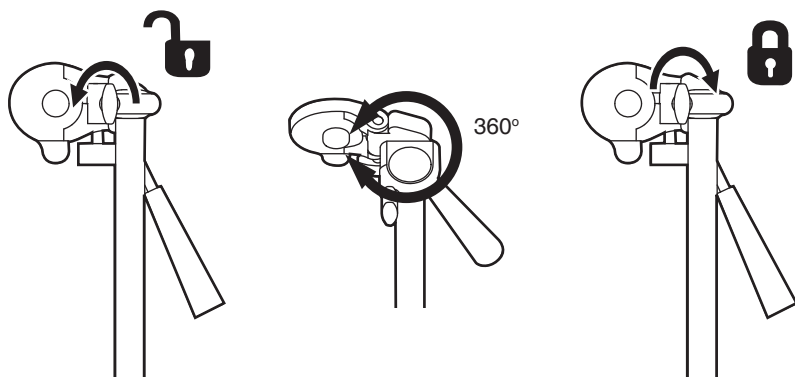
Afloje la perilla de bloqueo 2. Ajuste la placa de montaje a la posición deseada; la escala de ajuste máxima es 90°. Después del ajuste, apriete la perilla de bloqueo 2 para bloquear la posición de la placa de montaje. (FIG. 5).

Fig. 5



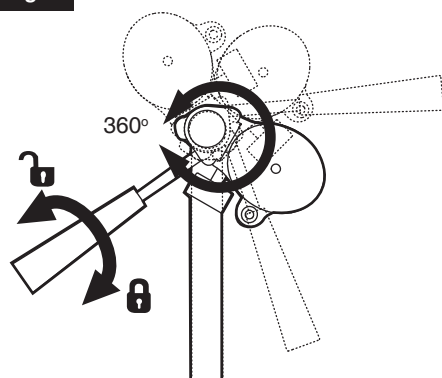
Afloje la perilla de bloqueo 3 para mover el cabezal hacia la izquierda o hacia la derecha. La escala de ajuste máxima es de 360°. Después del ajuste, apriete la perilla de bloqueo 3 para bloquear la posición. (FIG. 6).

Fig. 6



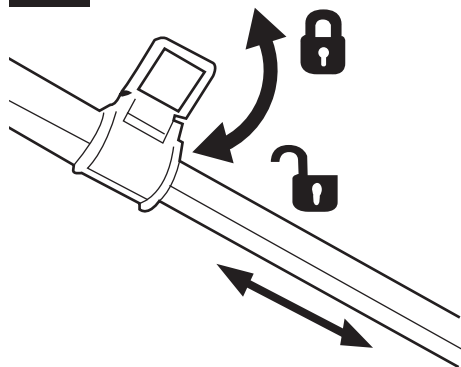
Afloje la manija girándola en dirección contraria a las manecillas del reloj. La placa de montaje puede inclinarse al mover la manija hacia arriba o hacia abajo; la escala de ajuste máxima es de 360°. Después del ajuste, apriete la manija en dirección de las manecillas del reloj para bloquear la posición. (FIG. 7)

Fig. 7



Abra las 3 palancas de volteo en una pata para liberar esa pata y ajustarla. Extienda la pata a la altura adecuada. Cierre las palancas para bloquear la posición de la pata. Repita el procedimiento con las otras dos patas. (FIG. 8).

Fig. 8



MANTENIMIENTO

Esta herramienta se diseñó para tener poco mantenimiento. Sin embargo, para mantener su rendimiento, siempre debe seguir estas simples instrucciones:

- Evite exponer la herramienta a sacudidas, vibración continua, calor extremo o baja temperaturas.
- Siempre almacene la herramienta en interiores.
- Siempre mantenga la herramienta libre de polvo y líquidos. Utilice solo un paño limpio y suave para limpiarla. Evite el uso de solventes.
- No desarme la herramienta, ya que expondrá al usuario a una radiación peligrosa.
- No intente cambiar ninguna pieza del lente del láser.
- No incinere este producto; las baterías en el interior podrían explotar o filtrarse.
- Cuando termine de usar la herramienta, asegúrese siempre de que el interruptor esté en el ícono de bloqueo.

SOLUCIÓN DE PROBLEMAS

Problema	Causa	Solución
La línea láser no se proyecta.	El nivel de batería está demasiado bajo.	Cargue la batería.
Es difícil ver la línea láser.	La herramienta está muy lejos del objetivo.	Acerque la herramienta al objetivo.
La línea láser parpadea en caso de alerta.	La superficie donde se colocó la herramienta está desnivelada o la herramienta está fuera de su rango de autonivelación automática.	<ol style="list-style-type: none">1. Coloque la herramienta sobre una superficie más nivelada (en $\pm 4^\circ$).2. Configure la herramienta en el modo de nivelación manual.



Para el reciclaje

Para preservar los recursos naturales, recicle o elimine las baterías de forma adecuada. Este producto contiene baterías de iones de litio. Las leyes locales, estatales o federales podrían prohibir la eliminación de baterías de litio-ión en basureros comunes. Consulte a la autoridad reguladora de desechos de su localidad para obtener información sobre las opciones disponibles de reciclaje o eliminación.

GARANTÍA LIMITADA PARA HERRAMIENTA SKIL

5 AÑO DE GARANTÍA LIMITADA

Chervon North America, Inc. ("Vendedor") garantiza únicamente al comprador original que ninguna HERRAMIENTA SKIL del consumidor presentará defectos en los materiales ni la mano de obra durante un período de cinco años a partir de la fecha de compra si el comprador original registra el producto dentro de los 30 días de realizada la compra. Las BATERÍAS y los CARGADORES tienen una garantía de 2 años. El registro del producto se puede completar en línea en www.Registermyskil.com. Los compradores originales también deben conservar el recibo como comprobante de compra. EL PERÍODO DE GARANTÍA DE CINCO AÑOS PARA HERRAMIENTAS ESTÁ CONDICIONADA POR EL REGISTRO DEL PRODUCTO DENTRO DE LOS 30 DÍAS DE REALIZADA LA COMPRA. Si los compradores originales no registran el producto de manera oportuna, se aplicará la garantía limitada anterior durante tres años para las herramientas eléctricas. Todas las baterías y los cargadores permanecerán bajo la garantía limitada de dos años.

No obstante lo señalado anteriormente, si se usa una herramienta SKIL del consumidor para fines industriales, profesionales o comerciales, se aplicará la garantía anterior durante noventa días, sin considerar el registro.

LA ÚNICA OBLIGACIÓN DEL VENDEDOR Y SU ÚNICA SOLUCIÓN en virtud de esta garantía limitada y, en la medida en que lo permita la ley, cualquier garantía o condición implícita por la ley, será la reparación o el reemplazo, sin cargo, de las piezas que presentan defectos en el material o la mano de obra y que no se hayan usado de manera incorrecta, que no se hayan manejado sin la debida atención o que las hayan reparado personas que no sean el Vendedor o una estación de servicio autorizada. Para exponer un reclamo en virtud de esta garantía limitada, debe devolver el producto completo, con el transporte prepagado, a cualquier centro de servicio de la fábrica SKIL o a cualquier estación de servicio autorizada. Para comunicarse con las estaciones de servicio autorizadas de Skil para reparar su herramienta eléctrica, visite www.Registermyskil.com o llame al 1-877-SKIL-999 (1-877-754-5999).

ESTA GARANTÍA LIMITADA NO SE APLICA A ARTÍCULOS ACCESORIOS, COMO HOJAS DE SIERRA CIRCULAR, BROCAS PARA TALADROS, BROCAS PARA REBAJADORAS, HOJAS DE SIERRA DE VAIVÉN, BANDAS DE LIJADO, DISCOS DE PULIDO Y OTROS ARTÍCULOS RELACIONADOS.

TODA GARANTÍA IMPLÍCITA APLICABLE A UN PRODUCTO DEBE ESTAR LIMITADA A LA MISMA DURACIÓN QUE LA DURACIÓN DE LAS GARANTÍAS EXPRESAS APLICABLES A DICHO PRODUCTO, SEGÚN SE ESTABLECIÓ EN EL PRIMER PÁRRAFO. ALGUNOS ESTADOS EN ESTADOS UNIDOS Y ALGUNAS PROVINCIAS EN CANADÁ NO PERMITEN LIMITACIONES SOBRE EL TIEMPO DE DURACIÓN DE UNA GARANTÍA IMPLÍCITA, DE MODO QUE LA LIMITACIÓN ANTES DESCRITA PUEDE QUE NO SE APLIQUE A USTED.

BAJO NINGUNA CIRCUNSTANCIA, EL VENDEDOR SERÁ RESPONSABLE DE DAÑOS ACCIDENTALES O RESULTANTES (INCLUIDA ENTRE OTRAS, LA RESPONSABILIDAD POR PÉRDIDA DE GANANCIAS) QUE SE ORIGINEN DE LA VENTA O EL USO DE ESTE PRODUCTO. ALGUNOS ESTADOS EN ESTADOS UNIDOS Y ALGUNAS PROVINCIAS EN CANADÁ NO PERMITEN LA EXCLUSIÓN O LIMITACIÓN DE DAÑOS ACCIDENTALES O RESULTANTES, DE MODO QUE LA LIMITACIÓN O EXCLUSIÓN ANTERIOR PUEDE QUE NO SE APLIQUE A USTED.

ESTA GARANTÍA LIMITADA LE OTORGA DERECHOS LEGALES ESPECÍFICOS, Y ES POSIBLE QUE TAMBIÉN TENGA OTROS DERECHOS QUE VARÍAN DE UN ESTADO A OTRO EN ESTADOS UNIDOS, DE UNA PROVINCIA A OTRA EN CANADÁ Y DE UN PAÍS A OTRO.

ESTA GARANTÍA LIMITADA SE APLICA SOLAMENTE A PRODUCTOS VENDIDOS EN ESTADOS UNIDOS DE AMÉRICA, CANADÁ Y EL COMMONWEALTH DE PUERTO RICO. PARA TENER UNA COBERTURA DE GARANTÍA EN OTROS PAÍSES, PÓNGASE EN CONTACTO CON SU DISTRIBUIDOR O IMPORTADOR DE SKIL.

© Chervon North America, 1203 E. Warrenville Rd, Naperville, IL 60563.

03/18