

# SKIL®

Owner's Manual  
Guide d'utilisation  
Manual del propietario



Model/ Modelo/ Modèle: LT4832C-00

**40V 15" Brushless String Trimmer**

**Taille-bordure/coupe-herbe sans balais de 40 V, 15 po**

**Orilladora de hilo de 15 pulgadas de 40 V sin escobillas**

**⚠ WARNING:** To reduce the risk of injury, the user must read and understand the Owner's Manual before using this product. Save these instructions for future reference.

**⚠ AVERTISSEMENT :** Afin de réduire les risques de blessure, l'utilisateur doit lire et comprendre le guide d'utilisation avant d'utiliser cet article. Conservez le présent guide afin de pouvoir le consulter ultérieurement.

**⚠ ADVERTENCIA :** Para reducir el riesgo de lesiones, el usuario debe leer y comprender el Manual del operador antes de utilizar este producto. Guarde estas instrucciones para consultarlas en caso sea necesario.



For Customer Service  
Pour le service à la clientèle  
Servicio al cliente

**1-877-SKIL-999 OR [www.skil.com](http://www.skil.com)**

# TABLE OF CONTENTS

<b>Important Safety Instructions</b> .....	<b>3-6</b>
<b>Symbols</b> .....	<b>7-10</b>
<b>Get to Know Your String Trimmer</b> .....	<b>11-12</b>
<b>Specifications</b> .....	<b>13</b>
<b>Recommended Accessories</b> .....	<b>13</b>
<b>Assembly</b> .....	<b>14</b>
<b>Operating Instructions</b> .....	<b>17-23</b>
<b>Maintenance</b> .....	<b>24-26</b>
<b>Troubleshooting</b> .....	<b>27-28</b>
<b>Limited Warranty of SKIL Consumer Tool</b> .....	<b>29</b>

# IMPORTANT SAFETY INSTRUCTIONS

## General Power Tool Safety Warnings

**⚠ WARNING** Read all safety warnings, instructions, illustrations and specifications provided with this power tool. Failure to follow all instructions listed below may result in electric shock, fire and/or serious injury.

### SAVE ALL WARNINGS AND INSTRUCTIONS FOR FUTURE REFERENCE .

The term “power tool” in the warnings refers to your mains-operated (corded) power tool or battery-operated (cordless) power tool.

#### 1) Work area safety

- a) **Keep work area clean and well lit.** Cluttered or dark areas invite accidents.
- b) **Do not operate power tools in explosive atmospheres, such as in the presence of flammable liquids, gases or dust.** Power tools create sparks which may ignite the dust or fumes.
- c) **Keep children and bystanders away while operating a power tool.** Distractions can cause you to lose control.

#### 2) Electrical safety

- a) **Power tool plugs must match the outlet. Never modify the plug in any way. Do not use any adapter plugs with earthed (grounded) power tools.** Unmodified plugs and matching outlets will reduce risk of electric shock.
- b) **Avoid body contact with earthed or grounded surfaces, such as pipes, radiators, ranges and refrigerators.** There is an increased risk of electric shock if your body is earthed or grounded.
- c) **Do not operate the machine in rain or wet conditions.** Water entering the machine may increase the risk of electric shock or malfunction that could result in personal injury.
- d) **Do not abuse the cord. Never use the cord for carrying, pulling or unplugging the power tool. Keep cord away from heat, oil, sharp edges or moving parts.** Damaged or entangled cords increase the risk of electric shock.
- e) **When operating a power tool outdoors, use an extension cord suitable for outdoor use.** Use of a cord suitable for outdoor use reduces the risk of electric shock.
- f) **If operating a power tool in a damp location is unavoidable, use a ground fault circuit interrupter (GFCI) protected supply.** Use of a GFCI reduces the risk of electric shock.

#### 3) Personal safety

- a) **Stay alert, watch what you are doing and use common sense when operating a power tool. Do not use a power tool while you are tired or under the influence of drugs, alcohol or medication.** A moment of inattention while operating power tools may result in serious personal injury.
- b) **Use personal protective equipment. Always wear eye protection.** Protective equipment such as a dust mask, non-skid safety shoes, hard hat or hearing protection used for appropriate conditions will reduce personal injuries.
- c) **Prevent unintentional starting. Ensure the switch is in the off-position before connecting to power source and/or battery pack, picking up or carrying the tool.** Carrying power tools with your finger on the switch or energizing power tools that have the switch on invites accidents.
- d) **Remove any adjusting key or wrench before turning the power tool on.** A wrench or a key left attached to a rotating part of the power tool may result in personal injury.
- e) **Do not overreach. Keep proper footing and balance at all times.** This enables better control of the power tool in unexpected situations.

- f) **Dress properly. Do not wear loose clothing or jewelry. Keep your hair and clothing away from moving parts.** Loose clothes, jewelry or long hair can be caught in moving parts.
- g) **If devices are provided for the connection of dust extraction and collection facilities, ensure these are connected and properly used.** Use of dust collection can reduce dust-related hazards.
- h) **Do not let familiarity gained from frequent use of tools allow you to become complacent and ignore tool safety principles.** A careless action can cause severe injury within a fraction of a second.

#### 4) Power tool use and care

- a) **Do not force the power tool. Use the correct power tool for your application.** The correct power tool will do the job better and safer at the rate for which it was designed.
- b) **Do not use the power tool if the switch does not turn it on and off.** Any power tool that cannot be controlled with the switch is dangerous and must be repaired.
- c) **Disconnect the plug from the power source and/or remove the battery pack, if detachable, from the power tool before making any adjustments, changing accessories, or storing power tools.** Such preventive safety measures reduce the risk of starting the power tool accidentally.
- d) **Store idle power tools out of the reach of children and do not allow persons unfamiliar with the power tool or these instructions to operate the power tool.** Power tools are dangerous in the hands of untrained users.
- e) **Maintain power tools and accessories. Check for misalignment or binding of moving parts, breakage of parts and any other condition that may affect the power tool's operation. If damaged, have the power tool repaired before use.** Many accidents are caused by poorly maintained power tools.
- f) **Keep cutting tools sharp and clean.** Properly maintained cutting tools with sharp cutting edges are less likely to bind and are easier to control.
- g) **Use the power tool, accessories and tool bits etc. in accordance with these instructions, taking into account the working conditions and the work to be performed.** Use of the power tool for operations different from those intended could result in a hazardous situation.
- h) **Keep handles and grasping surfaces dry, clean and free from oil and grease.** Slippery handles and grasping surfaces do not allow for safe handling and control of the tool in unexpected situations.

#### 5) Battery tool use and care

- a) **Recharge only with the charger specified by the manufacturer.** A charger that is suitable for one type of battery pack may create a risk of fire when used with another battery pack.
- b) **Use power tools only with specifically designated battery packs.** Use of any other battery packs may create a risk of injury and fire.
- c) **When battery pack is not in use, keep it away from other metal objects, like paper clips, coins, keys, nails, screws or other small metal objects, that can make a connection from one terminal to another.** Shorting the battery terminals together may cause burns or a fire.
- d) **Under abusive conditions, liquid may be ejected from the battery; avoid contact. If contact accidentally occurs, flush with water. If liquid contacts eyes, additionally seek medical help.** Liquid ejected from the battery may cause irritation or burns.
- e) **Do not use a battery pack or tool that is damaged or modified.** Damaged or modified batteries may exhibit unpredictable behavior resulting in fire, explosion or risk of injury.



- f) **Do not expose a battery pack or tool to fire or excessive temperature.** Exposure to fire or temperature above 265°F (130 °C) may cause explosion.
- g) **Follow all charging instructions and do not charge the battery pack or tool outside the temperature range specified in the instructions.** Charging improperly or at temperatures outside the specified range may damage the battery and increase the risk of fire.

## 6) Service

- a) **Have your power tool serviced by a qualified repair person using only identical replacement parts.** This will ensure that the safety of the power tool is maintained.
- b) **Never service damaged battery packs.** Service of battery packs should only be performed by the manufacturer or authorized service providers.

## String Trimmer Safety Warnings

- a) **Do not use the machine in bad weather conditions, especially when there is a risk of lightning.** This decreases the risk of being struck by lightning.
- b) **Thoroughly inspect the area for wildlife where the machine is to be used.** Wildlife may be injured by the machine during operation.
- c) **Thoroughly inspect the area where the machine is to be used and remove all stones, sticks, wires, bones, and other foreign objects.** Thrown objects can cause personal injury.
- d) **Before using the machine, always visually inspect to see that the cutter or blade and the cutter or blade assembly are not damaged.** Damaged parts increase the risk of injury.
- e) **Follow instructions for changing accessories.** Improperly tightened blade securing nuts or bolts may either damage the blade or result in it becoming detached.
- f) **Wear eye, ear, head and hand protection.** Adequate protective equipment will reduce personal injury by flying debris or accidental contact with the cutting line or blade.
- g) **While operating the machine, always wear non-slip and protective footwear. Do not operate the machine when barefoot or wearing open sandals.** This reduces the chance of injury to the feet from contact with the moving cutters or lines.
- h) **While operating the machine, always wear long trousers.** Exposed skin increases the likelihood of injury from thrown objects.
- i) **Keep bystanders away while operating the machine.** Thrown debris can result in serious personal injury.
- j) **Always use two hands when operating the machine.** Holding the machine with both hands will avoid loss of control.
- k) **Hold the machine by the insulated gripping surfaces only, because the cutting line or blade may contact hidden wiring.** Cutting line or blades contacting a "live" wire may make exposed metal parts of the machine "live" and could give the operator an electric shock.
- l) **Always keep proper footing and operate the machine only when standing on the ground.** Slippery or unstable surfaces may cause a loss of balance or control of the machine.
- m) **Do not operate the machine on excessively steep slopes.** This reduces the risk of loss of control, slipping and falling which may result in personal injury.
- n) **When working on slopes, always be sure of your footing, always work across the face of slopes, never up or down and exercise extreme caution when changing direction.** This reduces the risk of loss of control, slipping and falling which may result in personal injury.

- o) Keep all parts of the body away from the cutter, line or blade when the machine is operating. Before you start the machine, make sure the cutter, line or blade is not contacting anything.** A moment of inattention while operating the machine may result in injury to yourself or others.
- p) Do not operate the machine above waist height.** This helps prevent unintended cutter or blade contact and enables better control of the machine in unexpected situations.
- q) When cutting brush or saplings that are under tension, be alert for spring back.** When the tension in the wood fibers is released, the brush or sapling may strike the operator and/or throw the machine out of control.
- r) Use extreme caution when cutting brush and saplings.** The slender material may catch the blade and be whipped toward you or pull you off balance.
- s) Maintain control of the machine and do not touch cutters, lines or blades and other hazardous moving parts while they are still in motion.** This reduces the risk of injury from moving parts.
- t) Carry the machine with the machine switched off and away from your body.** Proper handling of the machine will reduce the likelihood of accidental contact with a moving cutter, line or blade.
- u) Only use replacement cutters, lines, cutting heads and blades specified by the manufacturer.** Incorrect replacement parts may increase the risk of breakage and injury.
- v) When clearing jammed material or servicing the machine, make sure the switch is off and the battery pack is removed.** Unexpected starting of the machine while clearing jammed material or servicing may result in serious personal injury.
- w) Use only with the battery packs and chargers listed below:**

Battery	Charger
BY8705-00, BY8708C-01, BY8708-00, BY8723C-00	SC5364-00, SC5376C-00

- x) Damage to Trimmer -** If you strike a foreign object with the trimmer or it becomes entangled, stop the tool immediately, check for damage and have any damage repaired before further operation is attempted. Do not operate with a broken guard or spool.
- y) If the equipment should start to vibrate abnormally, stop the motor and check immediately for the cause.** Vibration is generally a warning of trouble. A loose head may vibrate, crack, break or come off the trimmer, which may result in serious or fatal injury. Make sure that the cutting attachment is properly fixed in position. If the head loosens after fixing it in position, replace it immediately. Never use a trimmer with a loose cutting attachment.





**SAVE THESE INSTRUCTIONS!**

# SYMBOLS

## Safety Symbols

The purpose of safety symbols is to attract your attention to possible dangers. The safety symbols and the explanations with them deserve your careful attention and understanding. The symbol warnings do not, by themselves, eliminate any danger. The instructions and warnings they give are no substitutes for proper accident prevention measures.

**⚠ WARNING** Be sure to read and understand all safety instructions in this Owner's Manual, including all safety alert symbols such as "**DANGER**," "**WARNING**," and "**CAUTION**" before using this tool. Failure to following all instructions listed below may result in electric shock, fire, and/or serious personal injury.

The definitions below describe the level of severity for each signal word. Please read the manual and pay attention to these symbols.	
	This is the safety alert symbol. It is used to alert you to potential personal injury hazards. Obey all safety messages that follow this symbol to avoid possible injury or death.
	DANGER indicates a hazardous situation which, if not avoided, will result in death or serious injury.
	WARNING indicates a hazardous situation which, if not avoided, could result in death or serious injury.
	CAUTION, used with the safety alert symbol, indicates a hazardous situation which, if not avoided, will result in minor or moderate injury.

## Damage Prevention and Information Messages

These inform the user of important information and/or instructions that could lead to equipment or other property damage if they are not followed. Each message is preceded by the word "NOTICE", as in the example below:










**NOTICE:** Equipment and/or property damage may result if these instructions are not followed.












**⚠ WARNING** The operation of any power tools can result in foreign objects being thrown into your eyes, which can result in severe eye damage. Before beginning power tool operation, always wear safety goggles or safety glasses with side shields and a full face shield when needed. We recommend a Wide Vision Safety Mask for use over eyeglasses or standard safety glasses with side shields. Always use eye protection which is marked to comply with ANSI Z87.1.

## SYMBOLS (CONTINUED)







**IMPORTANT:** Some of the following symbols may be used on your tool. Please study them and learn their meaning. Proper interpretation of these symbols will allow you to operate the tool better and more safely.

Symbol	Name	Designation/Explanation
V	Volts	Voltage (potential)
A	Amperes	Current
Hz	Hertz	Frequency (cycles per second)
W	Watt	Power
kg	Kilograms	Weight
min	Minutes	Time
s	Seconds	Time
Wh	Watt-hours	Battery capacity
Ah	Ampere-hours	Battery capacity
∅	Diameter	Size of drill bits, grinding wheels, etc.
$n_0$	Maximum speed	Maximum rotational speed
.../min	Revolutions or reciprocations per minute (rpm)	Revolutions, strokes, surface speed, orbits, etc. per minute
O	Off position	Zero speed, zero torque...
1,2,3,... I,II,III,	Selector settings	Speed, torque, or position settings. Higher number means greater speed
0 	Infinitely variable selector with off	Speed is increasing from 0 setting
	Arrow	Action in the direction of arrow
	Alternating current (AC)	Type or a characteristic of current
	Direct current (DC)	Type or a characteristic of current
	Alternating or direct current (AC / DC)	Type or a characteristic of current
	Class II tool	Designates Double Insulated Construction tools.
	Protective earth	Grounding terminal
	Li-ion RBRC seal	Designates Li-ion battery recycling program
	Read the instructions	Alerts user to read manual

Symbol	Name	Designation/Explanation
	Wear eye protection symbol	Alerts user to wear eye protection
	Always operate with two hands	Alerts user to always operate with two hands
	Do not use the guard for cut-off operations	Alerts user not to use the guard for cut-off operations
	Beware of thrown objects	Alerts user to beware of thrown objects
	Disconnect battery before maintenance	Alerts user to disconnect battery before maintenance
	Wear ear protection	Alerts user to wear ear protection
	Wear head protection	Alerts user to wear head protection
	The distance between the machine and bystanders shall be at least 15 m (50 ft)	Alerts user to keep the distance between the machine and bystanders be at least 15 m (50 ft)
	Do not use metal blades	Alerts user not to use metal blades

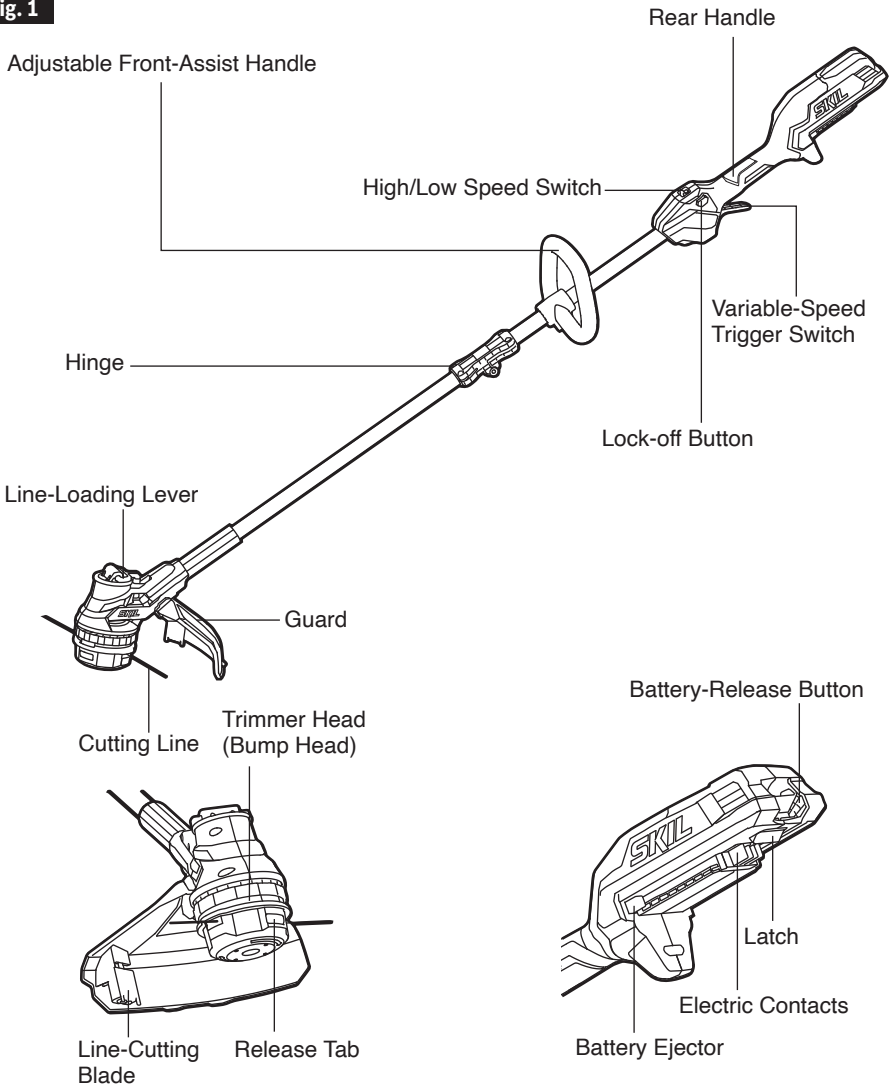
## SYMBOLS (CERTIFICATION INFORMATION)

**IMPORTANT:** Some of the following symbols for certification information may be used on your tool. Please study them and learn their meaning. Proper interpretation of these symbols will allow you to operate the tool better and more safely.

Symbol	Designation/Explanation
	This symbol designates that this tool is listed by Underwriters Laboratories.
	This symbol designates that this component is recognized by Underwriters Laboratories.
	This symbol designates that this tool is listed by Underwriters Laboratories, to United States and Canadian Standards.
	This symbol designates that this tool is listed by the Canadian Standards Association.
	This symbol designates that this tool is listed by the Canadian Standards Association, to United States and Canadian Standards.
	This symbol designates that this tool is listed by the Intertek Testing Services, to United States and Canadian Standards.

# GET TO KNOW YOUR STRING TRIMMER

**Fig. 1**



**Rear Handle**

Ergonomic handle improves comfort and grip.

**High/Low Speed Switch**

Switches between high and low speed ranges for different tasks, as needed.

**Variable-Speed Trigger Switch**

Turns the string trimmer on and off and adjusts the trimmer head speed.

**Lock-off Button**

Helps prevent accidental or unauthorized activation of the trigger. It must be depressed to the right or left side before the trigger can be activated.

**Adjustable Front-Assist Handle**

For easy control of the trimmer during cutting.

**Hinge**

Connects and locks the two foldable shafts.

**Line-Loading Lever**

Manually rotate this lever counterclockwise to wind the line into the trimmer head.

**Guard**

Reduces the risk of injury from foreign objects flung backwards toward the operator and from contact with the cutting attachment.

**Trimmer Head (Bump Head)**

Stores the cutting line and releases the cutting line when the head is lightly tapped on the ground during operation.

**Release Tab**

Press both tabs to release the trimmer head from the tool.

**Line-Cutting Blade**

Steel blade on the guard that maintains the cutting line at the proper length.

**Battery-Release Button**

Releases the battery pack from the tool.

**Latch**

Secures the battery pack to the tool

**Battery Ejector**

Spring-loaded mechanism that aids in battery removal.



## SPECIFICATIONS

Rated voltage	40V d.c.
Maximum speed $n_0$	Setting 1: 4800/min Setting 2: 5800/min
Cutting mechanism	Bump Head
Cutting line type	0.080 in. (2.0 mm) nylon twist line
Cutting width	15" (38 cm)
Recommended working temperature	32 – 104 °F (0 – 40 °C)
Recommended storage temperature	32 – 104 °F (0 – 40 °C)

## RECOMMENDED ACCESSORIES

PART NAME	TYPE	MODEL NUMBER
Cutting Line	0.080 in./ 2.0 mm nylon twist line	STL2020

## ASSEMBLY

**⚠ WARNING** To prevent accidental starting that could cause serious personal injury, always remove the battery pack from the tool when assembling parts, making adjustments, cleaning, or when not in use.

**⚠ WARNING** If any parts are damaged or missing, do not operate this product until the parts are replaced. Use of this product with damaged or missing parts could result in serious personal injury.

**⚠ WARNING** Do not attempt to modify this tool or create accessories not recommended for use with this tool. Any such alteration or modification is misuse and could result in a hazardous condition leading to possible serious injury.

## Unpacking

- This product requires assembly.
- Carefully remove the product and any accessories from the box. Make sure that all items listed on the box are included.
- Inspect the tool carefully to make sure that no breakage or damage occurred during shipping.
- Do not discard the packing material until you have carefully inspected and satisfactorily operated the tool.
- If any parts are damaged or missing, please return the product to the place of purchase.

## Unfolding the Shaft

**⚠ WARNING** In order to avoid pinching your hands or fingers, do not hold the shaft at the joints.

**⚠ WARNING** Do not attempt to start the trimmer until the shaft has been locked.

1. Remove the battery pack from the trimmer.
2. Place your trimmer on the ground and carefully unfold the shaft. Make sure that the cable is inside the shaft so that it will not be pinched when closing the joints (Fig. 2).
3. Use a Philips head screwdriver (not included) to lock the shaft with the two bolts (included) (Fig. 3).

Fig. 2

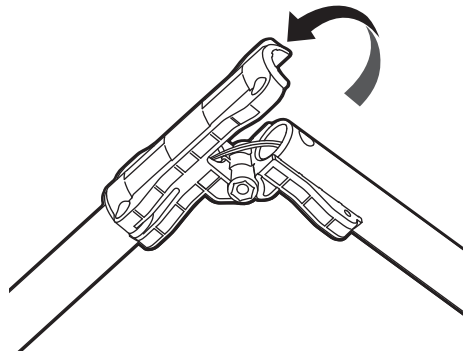
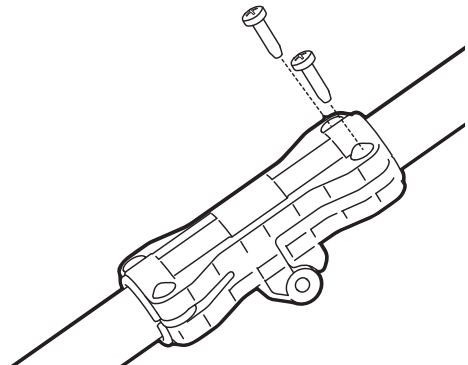


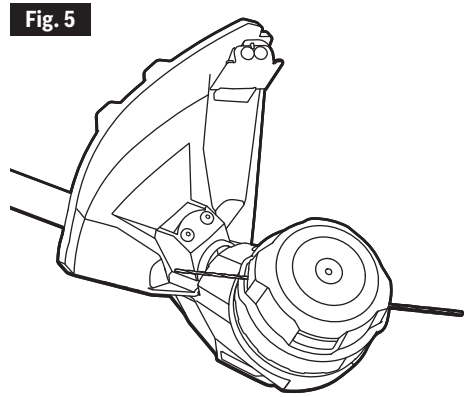
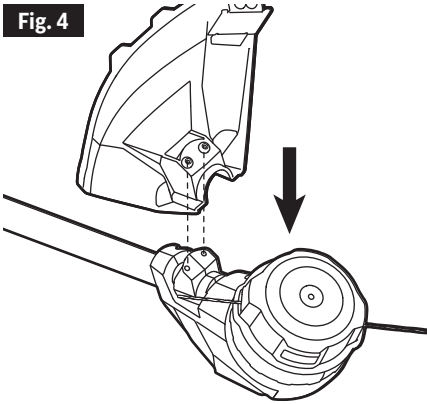
Fig. 3



## Mounting the Guard

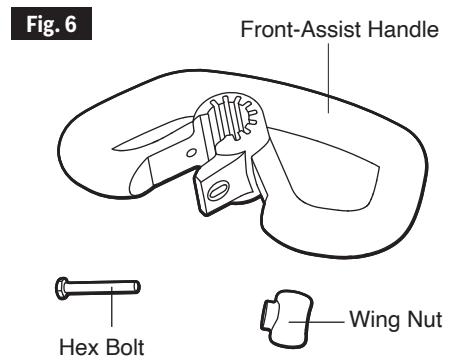
**⚠ WARNING** Always wear gloves when mounting or replacing the guard. Be careful of the line-cutting blade on the guard and wear gloves to protect your hands from being injured by the blade.

1. Remove the battery pack from the trimmer.
2. Lay the trimmer on the ground or the floor with the trimmer head facing upward.
3. Align the two bolts (included) with the two screw holes in the shaft (Fig. 4), and then tighten them using a Philips head screwdriver (not included) as shown in Fig. 5.



## Mounting and Adjusting the Front-Assist Handle

1. Remove the battery pack from the trimmer.
2. Loosen the wing nut and remove it along with the hex bolt from the front-assist handle (Fig. 6).

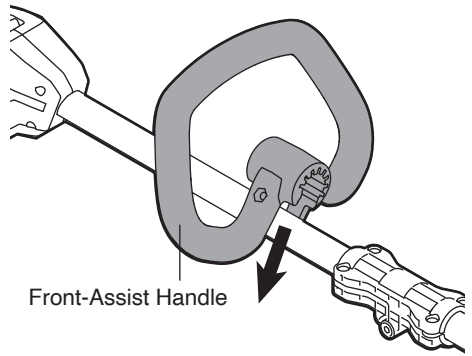


3. Press the front-assist handle onto the shaft. Make sure that the front-assist handle is positioned upwards and points toward the top of the rear handle (Fig. 7).
4. Mount the hex bolt and the wing nut and pre-tighten the wing nut (Fig. 8).
5. Adjust the front-assist handle position so that it is within the mounting zone, as shown in Fig. 9. The handle should be positioned so that the arm that is holding the handle is straight when using the trimmer.

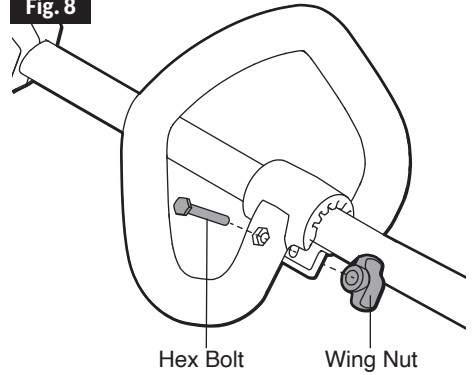
**⚠ WARNING** The front-assist handle should be positioned within the mounting zone, not exceeding the limit label, so that the distance between the center of the handles is at least 9-7/8" (250 mm) for safe operation.

6. Tighten the wing nut to prevent the handle from moving along the shaft.

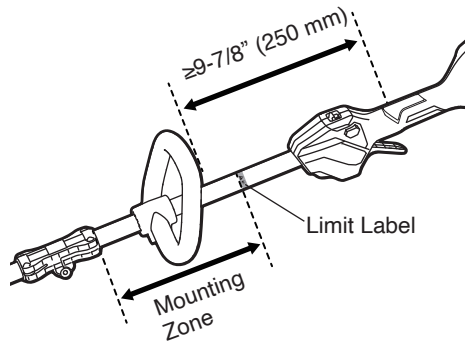
**Fig. 7**



**Fig. 8**



**Fig. 9**



## OPERATING INSTRUCTIONS

**⚠ WARNING** To reduce the risk of fire, personal injury, and product damage due to a short circuit, never immerse your tool, battery pack, or charger in fluid or allow a fluid to flow inside them. Corrosive or conductive fluids, such as seawater, certain industrial chemicals, and bleach or bleach-containing products, etc. can cause a short circuit.

**⚠ WARNING** Do not use any attachments or accessories not recommended by the manufacturer of this product. The use of attachments or accessories not recommended can result in serious personal injury.

**⚠ WARNING** Do not attempt to modify this tool or the battery pack or create accessories not recommended for use with this tool. Any such alteration or modification is misuse and could result in a hazardous condition leading to possibly serious injury.

**⚠ WARNING** To prevent accidental starting that could cause serious personal injury, always remove the battery pack from the tool when assembling parts, making adjustments, cleaning, or when not in use.

**⚠ WARNING** Do not allow familiarity with this product to make you careless. Remember that a careless fraction of a second is sufficient to inflict serious injury.

**⚠ WARNING** Always wear eye protection with side shields marked to comply with ANSI Z87.1, along with hearing protection. Failure to do so could result in objects being thrown into your eyes and other possibly serious injuries.

### Application

You may use this product for the purposes listed below:

**Trimming:** use for removing grass and weeds along walls, fences, trees, and borders.

**Cutting:** use for cutting grass that is difficult to reach using a normal mower.

---

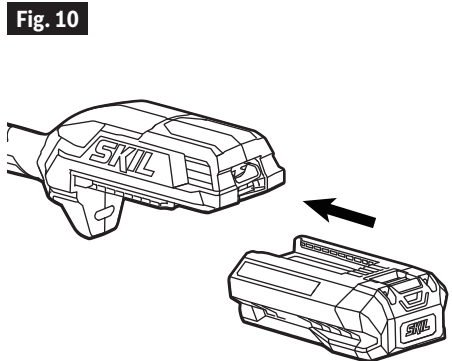
### To Attach/Detach Battery Pack

**⚠ WARNING** Battery tools are always in operating condition. Therefore, remove the battery when assembling parts, making adjustments, cleaning, when the tool is not in use, or when carrying it at your side. Removing the battery pack will prevent accidental starting that could cause serious personal injury.

**To attach the battery pack (Fig. 10):**

1. Align the ribs of the battery pack with the mounting slots in the string trimmer.
2. Slide the battery pack until it snaps into position.

**NOTICE:** Make sure that the latch on the string trimmer snaps into place and the battery pack is secured to the tool before beginning operation.



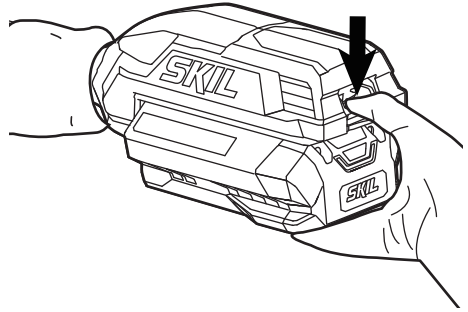
### To detach the battery pack (Fig. 11):

**⚠ WARNING** Always be aware of the location of your feet and children or pets around you when pressing the battery release button. **NEVER** remove the battery pack at a high position. Serious injury could result if the battery pack falls.

1. Hold the battery pack in the palm of your hand.
2. Press the battery-release button with your thumb; the battery pack will disengage from the latch.
3. Grasp the battery pack and remove it from the string trimmer.

**Fig. 11**

Press to Release



### To Hold the String Trimmer

**⚠ WARNING** Dress properly to reduce the risk of injury when operating this tool. Do not wear loose clothing or jewelry. Wear eye and ear/hearing protection. Wear heavy, long pants, boots and gloves. Do not wear short pants or sandals or go barefoot.

Before operating the unit, stand in the operating position and check that:

- The operator is wearing eye protection and proper clothing.
- One arm is slightly bent, and the hand of that arm is holding the rear handle.
- The other arm is straight, and that hand is holding the front-assist handle.
- The trimmer head is parallel to the ground and easily contacts the material to be cut without the operator having to bend over (Fig. 12)

**Fig. 12**



### To Start/Stop the String Trimmer

Before starting the string trimmer:

- Make sure that you have a secure and balanced footing.
- Stand upright and hold the string trimmer in a relaxed position.
- Make sure that the cutting line is not touching the ground or any other objects.
- Hold the string trimmer with both hands: one hand on the rear handle and one hand on the front-assist handle.

### To Start The String Trimmer (Fig. 13)

1. Press the lock-off button to the right/left side and hold it in that position. Press the trigger switch to turn on the string trimmer. Release the lock-off button and continue to squeeze the trigger switch for continued operation.
2. The rotational speed of the trimmer head is controlled with the variable-speed trigger switch. More pressure on the trigger results in higher speed; less pressure on the trigger results in lower speed. Adjust the speed to suit the task at hand.

**NOTE:** The motor starts only when the lock-off button and trigger switch are both pressed.

### To Stop The String Trimmer

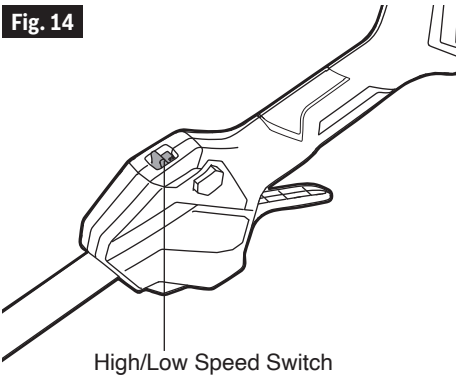
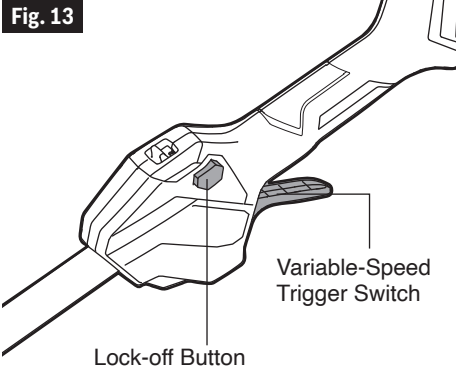
Release the trigger switch.

**⚠ WARNING** Always remove the battery pack from the string trimmer during work breaks and after finishing work.

### Changing Speed Range (Fig. 14)

The string trimmer has two speed ranges. Press the high/low speed switch to change cutting speed between the low (setting 1) and high (setting 2).

The low speed range provides better control of the trimmer and longer operating time per charge.



## Using the String Trimmer

**⚠ WARNING** To avoid serious personal injury, wear goggles or safety glasses at all times when operating this unit. Wear a face mask or dust mask in dusty locations.

**⚠ WARNING** To prevent serious personal injury, remove the battery pack from the tool before servicing, cleaning, changing attachments or removing material from the unit. Clear the area to be cut before each use. Remove all objects, such as rocks, broken glass, nails, wire, or string that can be thrown or become entangled in the cutting attachment.

**Clear the area of children, bystanders, and pets. Keep all children, bystanders and pets at least 50 ft. (15m) away.** There still may be risk to bystanders from thrown objects; bystanders should be encouraged to wear eye protection. If you are approached, stop the motor immediately.

### Check for Damaged/Worn Parts before Each Use

Check the trimmer head, guard and front-assist handle and replace any parts that are cracked, warped, bent, or damaged in any way.

The line-cutting blade on the edge of the guard can dull over time. It is recommended that you periodically sharpen it with a file or replace it with a new blade.

**⚠ WARNING** Always wear gloves when mounting or replacing the guard or when sharpening or replacing the line-cutting blade. Note the location of the blade on the guard and protect your hand from injury.

### Clean the Trimmer after Each Use

See the Maintenance section for cleaning instructions.

**⚠ WARNING** Never use water to clean your trimmer. Avoid using solvents when cleaning plastic parts. Most plastics are susceptible to damage from various types of commercial solvents. Use clean clothes to remove dirt, dust, oil, grease, etc.

### Check for Blockage of the Trimmer Head

To prevent blockage, keep the trimmer head clean. Remove grass clippings, leaves, dirt and any other accumulated debris before and after each use.

When blockage happens, stop the string trimmer and remove the battery, then remove any grass that may have wrapped itself around the motor shaft or trimmer head.

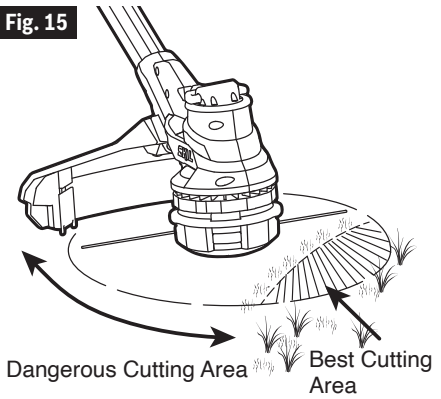
---



## Tips for Best Trimming Results (Fig. 15)

- The correct angle for the cutting attachment is parallel to the ground.
- Do not force the trimmer. Allow the very tip of the line to do the cutting (especially along walls). Cutting with more than the tip will reduce cutting efficiency and may overload the motor.
- The cutting height is determined by the distance of the cutting line from the lawn surface.
- Grass should be cut by working progressively from top to the bottom in small increments to avoid premature line wear or motor drag.
- Slowly move the trimmer into and out of the area being cut, maintaining the cutting head position at the desired cutting height. This movement can be either a forward-backward motion or a side-to-side motion. Cutting shorter lengths produces best results.
- Trim only when grass and weeds are dry.
- Wire and picket fences can cause extra string wear or breakage. Stone and brick walls, curbs, and wood may wear strings rapidly.
- Avoid trees and shrubs. Tree bark, wood moldings, siding, and fence posts can easily be damaged by the strings.

Fig. 15



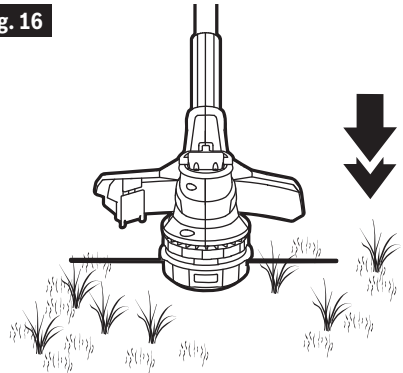
## To Adjust Cutting Line Length

The trimmer head allows the operator to release more cutting line without stopping the motor. As line becomes frayed or worn, additional line can be released by lightly tapping the trimmer head on the ground while operating the trimmer (Fig. 16).

**⚠ WARNING** Do not remove or alter the line-cutting blade assembly. Excessive line length will cause the motor to overheat and may result in serious personal injury.

For best results, tap the trimmer head on bare ground or hard soil. If line release is attempted in tall grass, the motor may overheat. Always keep the trimming line fully extended. Line release becomes more difficult as the cutting line becomes shorter.

Fig. 16



## Cutting Line Reloading

**NOTICE:** Always use the recommended nylon cutting line with a diameter that does not exceed 0.080 in. (2.0 mm). Using line other than that specified may cause the string trimmer to overheat or become damaged.

**⚠ WARNING** Never use metal-reinforced line, wire, or rope, etc. These can break off and become dangerous projectiles.

**⚠ WARNING** To prevent serious personal injury, remove the battery pack from the tool before servicing, cleaning, changing attachments or removing material from the unit.

1. Remove the battery pack from the trimmer.
2. Cut one piece of cutting line 16 ft. (5m) long. Insert the line into the eyelet. Push the line until the end of the line comes out of the other side of the trimmer head. Pull the line from the other side until equal amounts of line appear on both sides (Fig. 17).
3. Unfold the line-loading lever completely from the storage position (Fig. 18a).
4. Manually rotate the line-loading lever counterclockwise to wind the cutting line into the trimmer head until approximately 5.1 in. (13 cm) of line is showing on each side (Fig. 18b).
5. Fold the line-loading lever into the storage position.
6. Push down on the trimmer head while pulling on the ends of the line to manually advance the line and to check for proper installation of the cutting line.

Fig. 17

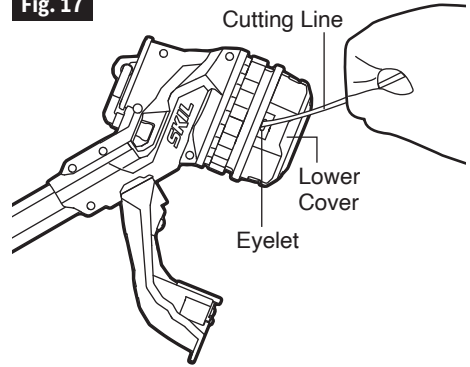


Fig. 18a

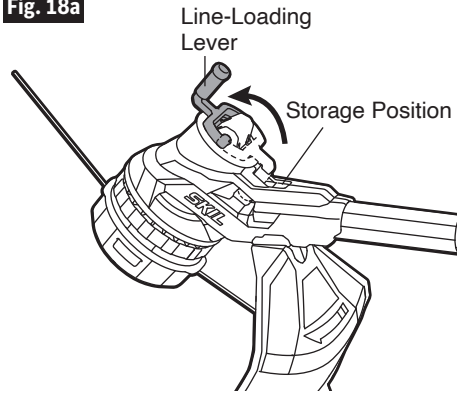
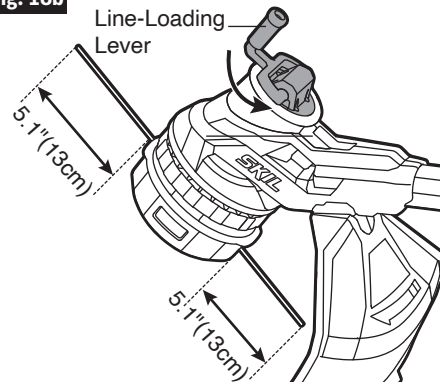


Fig. 18b

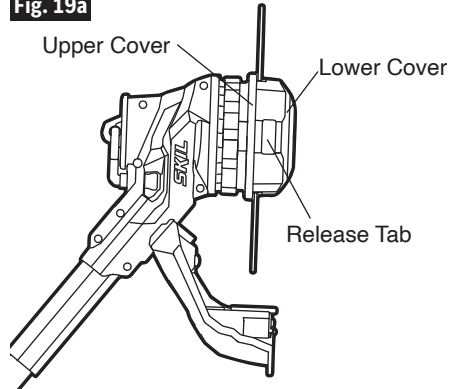


## Cutting Line Replacement

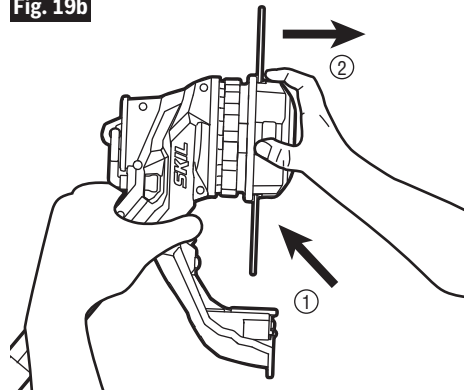
**NOTE:** When the cutting line breaks from the line outlet or the cutting line is not released when the trimmer head is tapped, you will need to remove the remaining cutting line from the spool retainer and follow the steps below to reload the line.

1. Remove the battery pack from the trimmer.
2. Press the release tabs on the upper cover and remove the lower cover of the trimmer head by pulling it straight out (Fig. 19a & 19b).
3. Pull out all the remaining cutting line.
4. With one hand holding the trimmer, use another hand to grasp the lower cover assembly and align the slots in the lower cover with the release tabs. Press the lower cover assembly until it snaps into place, at which time you will hear a distinct click sound (Fig. 20).
5. Follow the instructions in the **“CUTTING LINE RELOADING”** section to reload the cutting line.

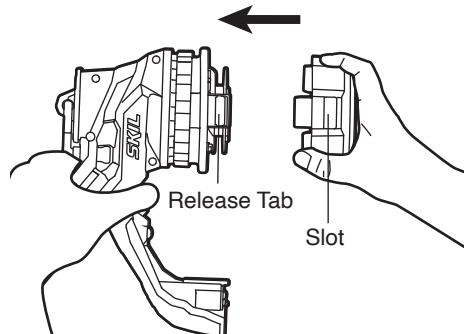
**Fig. 19a**



**Fig. 19b**



**Fig. 20**



## MAINTENANCE

**⚠ WARNING** When servicing, use only identical replacement parts. Use of any other parts could create a hazard or cause product damage.

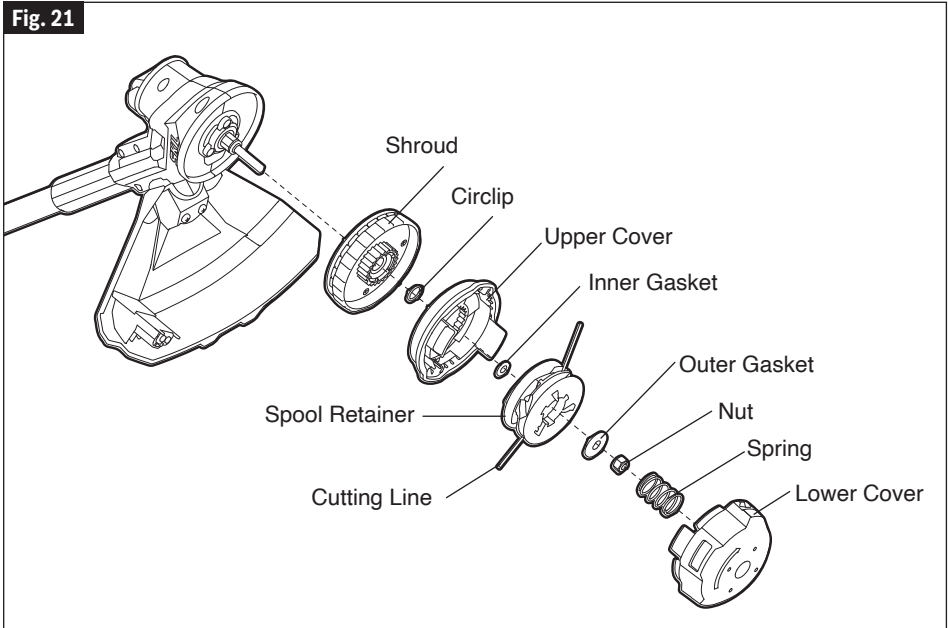
Periodically inspect the entire product for damaged, missing, or loose parts such as screws, nuts, bolts, caps, etc. Tighten securely all fasteners and caps and do not operate this product until all missing or damaged parts are replaced. Please contact customer service or an authorized service center for assistance.

**⚠ WARNING** Battery tools do not have to be plugged into an electrical outlet; therefore, they are always in operating condition. To prevent serious personal injury, take extra precautions and care when performing maintenance, service, or when changing the cutting attachment or other attachments.

**⚠ WARNING** To prevent serious personal injury, always remove the battery pack from the tool before servicing, cleaning, or removing material from the unit.

### Trimmer Head Replacement

**⚠ DANGER** If the head loosens after it is fixed in position, replace it immediately. Never use a trimmer with a loose cutting attachment. Replace a cracked, damaged or worn out cutting head immediately, even if damage is limited to superficial cracks. Such attachments may shatter at high speed and cause serious injury.



## To remove the trimmer head

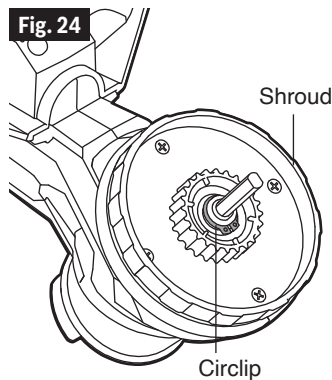
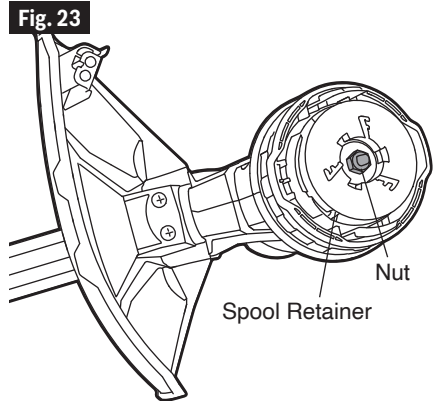
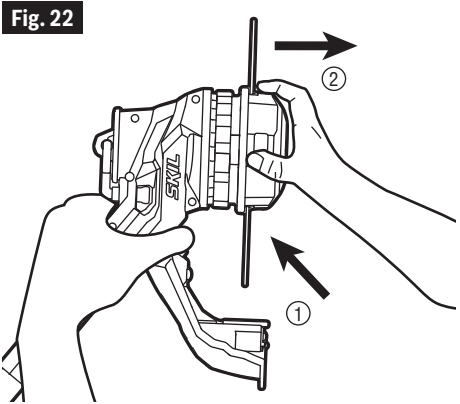
1. Remove the battery pack from the trimmer.
2. Press the release tabs on the trimmer head and remove the lower cover of the trimmer head by pulling it straight out (Fig. 22).
3. Remove the cutting line from the trimmer head.
4. Take the spring out of the lower cover, if necessary. Keep it in a safe place for reassembly.
5. Wear gloves. Use one hand to grasp the spool assembly to stabilize it and use the other hand to hold a socket wrench (not included) to loosen the nut in a counterclockwise direction (Fig. 23).
6. Remove the nut, outer gasket, spool retainer, inner gasket, and upper cover from the motor shaft.
7. Use circlip pliers (not included) to remove the circlip, and then remove the shroud from the motor shaft. (Fig. 24).
8. Replace with a new trimmer head and mount it by following the steps below.

## To install the new trimmer head

1. Align the key slot in the shroud assembly with the spline in the motor shaft and mount the shroud assembly into place.
2. Use circlip pliers (not included) to mount the circlip.
3. Mount the upper cover, inner gasket, spool retainer, outer gasket, nut. Use an impact wrench (not included) to tighten the nut.
4. With one hand holding the trimmer, use another hand to grasp the lower cover assembly and align the slots in the lower cover assembly with the release tabs. Press the lower cover assembly until it snaps into place, at which time you will hear a distinct click sound (Fig. 20).
5. Follow **“CUTTING LINE RELOADING”** section in this manual to reload the cutting line.
6. Start the tool to see whether the string trimmer will work normally. If it does not, reassemble as described above.

## Cleaning the Trimmer

- Remove the battery.
- Clear any grass that may have wrapped itself around the motor shaft or trimmer head.
- Use a small brush or a small vacuum cleaner to clean the air vents.



- Keep the air vents free of obstructions.
- Clean the unit using a damp cloth with a mild detergent.
- Do not use any strong detergents on the plastic housing or the handle. They can be damaged by certain aromatic oils, such as pine and lemon, and by solvents such as kerosene. Moisture can also cause an electric shock hazard. Wipe off any moisture with a soft, dry cloth.

## Sharpening the Line-Cutting Blade



Always protect your hands by wearing heavy gloves when performing any maintenance on the line-cutting blade.

1. Remove the battery pack from the trimmer.
2. Wear proper eye protection and gloves and be careful not to cut yourself.
3. Remove the line-cutting blade from the guard.
4. Secure the blade in a vise.
5. Carefully file the cutting edges of the blade with a fine-tooth file or sharpening stone, being careful to maintain the original cutting-edge angle.
6. Replace the blade onto the guard and secure it in place with the two screws.

## Storing the Trimmer

- Remove the battery pack from the trimmer.
- Clean the tool thoroughly before storing.
- Store the unit in a dry, well-ventilated area, locked-up or up high, out of the reach of children. Do not store the unit on or adjacent to fertilizers, gasoline, or other chemicals.
- Keep away from corrosive agents such as garden chemicals and deicing salts.

## Service

We recommend that all tool service be performed by a SKIL Factory Service Center or Authorized SKIL Service Station.

## TROUBLESHOOTING

Problem	Cause	Remedy
String trimmer fails to start.	<ul style="list-style-type: none"> <li>• The battery pack is not attached to the trimmer properly.</li> <li>• No electrical contact between the trimmer and the battery pack.</li> <li>• The battery pack charge is depleted.</li> <li>• The lock-off button and trigger switch are not depressed simultaneously.</li> </ul>	<ul style="list-style-type: none"> <li>• Attach the battery pack to the trimmer properly.</li> <li>• Remove the battery pack, check contacts and reinstall the battery pack.</li> <li>• Charge the battery pack.</li> <li>• Press down on the lock-off button and hold it, then depress the trigger switch to turn on the string trimmer.</li> </ul>
String trimmer stops while cutting.	<ul style="list-style-type: none"> <li>• The guard is not mounted on the trimmer, resulting in an overly long cutting line and motor overload.</li> <li>• Incorrect cutting line is used.</li> <li>• The motor shaft or trimmer head is bound with grass.</li> <li>• The motor is overloaded.</li> <li>• The battery pack or string trimmer is too hot.</li> <li>• The battery pack is disconnected from the tool.</li> <li>• The battery pack charge is depleted.</li> </ul>	<ul style="list-style-type: none"> <li>• Remove the battery pack and mount the guard on the trimmer.</li> <li>• Use recommended nylon cutting line with diameter no greater than 0.080 in. (2.0 mm)</li> <li>• Stop the trimmer, remove the battery, and remove the grass from the motor shaft and trimmer head.</li> <li>• Remove the trimmer head from the grass. The motor will recover to work when the load is removed. When cutting, move the trimmer head in and out of the grass to be cut and don't remove too much grass in a single cut.</li> <li>• Allow the battery pack or trimmer to cool down.</li> <li>• Re-install the battery pack.</li> <li>• Charge the battery pack.</li> </ul>

Problem	Cause	Remedy
Trimmer head will not advance line.	<ul style="list-style-type: none"> <li>• The motor shaft or trimmer head is bound with grass.</li> <li>• There is not enough line in the trimmer head or the line breaks from the eyelet.</li> <li>• The line is tangled in the trimmer head.</li> <li>• The line showing on each of the trimmer head is too short.</li> </ul>	<ul style="list-style-type: none"> <li>• Stop the trimmer, remove the battery, and clean the motor shaft and trimmer head.</li> <li>• Remove the battery and replace the cutting line following “<b>LINE REPLACEMENT</b>” section in this manual.</li> <li>• Remove the battery; remove the line from the trimmer head and rewind following “<b>CUTTING LINE RELOADING</b>” section in this manual.</li> <li>• Push down on the trimmer head while pulling on the ends of the line to manually advance the line and to check for proper installation of the cutting line. Reload the cutting line if necessary.</li> </ul>
Grass wraps around trimmer head and motor housing.	<ul style="list-style-type: none"> <li>• Cutting tall grass at ground level.</li> </ul>	<ul style="list-style-type: none"> <li>• Cut tall grass from the top down, don't cut long pieces grass in each pass to prevent wrapping.</li> </ul>
The blade is not cutting the line.	<ul style="list-style-type: none"> <li>• The line-cutting blade on the edge of the guard has become dull.</li> </ul>	<ul style="list-style-type: none"> <li>• Sharpen the line-cutting blade with a file or replace it with a new blade.</li> </ul>
Cracks on the trimmer head or the spool assembly comes loose.	<ul style="list-style-type: none"> <li>• The trimmer head is worn out.</li> <li>• The nut that locks the trimmer head is loose.</li> </ul>	<ul style="list-style-type: none"> <li>• Replace the trimmer head immediately following “<b>TRIMMER HEAD REPLACEMENT</b>” section in this manual.</li> <li>• Open the trimmer head and use an impact wrench to tighten the nut.</li> </ul>



# LIMITED WARRANTY OF SKIL CONSUMER TOOLS

## 5 YEAR LIMITED WARRANTY

Chervon North America, Inc. ("Seller") warrants to the original purchaser only, that all SKIL consumer TOOLS will be free from defects in material or workmanship for a period of five years from date of purchase, if original purchaser registers the product within 30 days from purchase. BATTERIES AND CHARGERS are warranted for 2 years. Product registration can be completed online at [www.Registermyskil.com](http://www.Registermyskil.com). Original purchasers should also retain their receipt as proof of purchase. THE FIVE-YEAR WARRANTY PERIOD FOR TOOLS IS CONDITIONED ON REGISTRATION OF THE PRODUCT WITHIN 30 DAYS OF PURCHASE.

If original purchasers do not register their product within 30 days of purchase, the foregoing limited warranty will apply for a duration of three years for tools. All batteries and chargers will remain under the two-year limited warranty.

Notwithstanding the foregoing, if a SKIL consumer tool is used for industrial, professional, or commercial purposes, the foregoing warranty will apply for a duration of ninety days, regardless of registration.

SELLER'S SOLE OBLIGATION AND YOUR EXCLUSIVE REMEDY under this Limited Warranty and, to the extent permitted by law, any warranty or condition implied by law, shall be the repair or replacement of parts, without charge, which are defective in material or workmanship and which have not been misused, carelessly handled, or repaired by persons other than Seller or Authorized Service Station. To make a claim under this Limited Warranty, you must return the complete product, transportation prepaid, to any SKIL Factory Service Center or Authorized Service Station. For Authorized SKIL Power Tool Service Stations, please visit [www.Registermyskil.com](http://www.Registermyskil.com) or call 1-877-SKIL-999 (1-877-754-5999).

THIS WARRANTY DOES NOT COVER ROUTINE MAINTENANCE PARTS AND CONSUMABLES THAT CAN WEAR OUT FROM NORMAL USE WITHIN THE WARRANTY PERIOD, INCLUDING BLADES, TRIMMER HEADS, CHAIN BARS, SAW CHAINS, BELTS, SCRAPER BARS, AND BLOWER NOZZLES.

ANY IMPLIED WARRANTIES APPLICABLE TO A PRODUCT SHALL BE LIMITED IN DURATION EQUAL TO THE DURATION OF THE EXPRESS WARRANTIES APPLICABLE TO SUCH PRODUCT, AS SET FORTH IN THE FIRST PARAGRAPH ABOVE. SOME STATES IN THE U.S., SOME CANADIAN PROVINCES DO NOT ALLOW LIMITATIONS ON HOW LONG AN IMPLIED WARRANTY LASTS, SO THE ABOVE LIMITATION MAY NOT APPLY TO YOU. THIS WARRANTY DOES NOT COVER THE DAMAGE RESULTING FROM MODIFICATION, ALTERATION, OR UNAUTHORIZED REPAIR.

IN NO EVENT SHALL SELLER BE LIABLE FOR ANY INCIDENTAL OR CONSEQUENTIAL DAMAGES (INCLUDING BUT NOT LIMITED TO LIABILITY FOR LOSS OF PROFITS) ARISING FROM THE SALE OR USE OF THIS PRODUCT. SOME STATES IN THE U.S. AND SOME CANADIAN PROVINCES DO NOT ALLOW THE EXCLUSION OR LIMITATION OF INCIDENTAL OR CONSEQUENTIAL DAMAGES, SO THE ABOVE LIMITATION OR EXCLUSION MAY NOT APPLY TO YOU.

THIS LIMITED WARRANTY GIVES YOU SPECIFIC LEGAL RIGHTS, AND YOU MAY ALSO HAVE OTHER RIGHTS WHICH VARY FROM STATE TO STATE IN THE U.S., PROVINCE TO PROVINCE IN CANADA AND FROM COUNTRY TO COUNTRY. THIS LIMITED WARRANTY APPLIES ONLY TO PRODUCTS SOLD WITHIN THE UNITED STATES OF AMERICA, CANADA AND THE COMMONWEALTH OF PUERTO RICO. FOR WARRANTY COVERAGE WITHIN OTHER COUNTRIES, CONTACT YOUR LOCAL SKIL DEALER OR IMPORTER.

# TABLE DES MATIÈRES

Consignes de sécurité importantes.....	31-35
Symboles .....	36-39
Familiarisez-vous avec votre taille-bordure/coupe-herbe.....	40-41
Spécifications .....	42
Accessoires recommandés .....	42
Assemblage .....	43-45
Instructions pour l'utilisation.....	46-53
Maintenance.....	54-56
Recherche de la cause des problèmes .....	57-58
Garantie limitée des outils sans fil SKIL.....	59

# CONSIGNES DE SÉCURITÉ IMPORTANTES

## Avertissements généraux relatifs à la sécurité pour les outils électriques

**⚠ AVERTISSEMENT** Lisez tous les avertissements de sécurité, instructions, illustrations et caractéristiques techniques fournis avec cet

**outil électrique.** La non-observation de toutes les instructions figurant ci-après pourrait causer un choc électrique, un incendie et/ou des blessures graves.

## CONSERVEZ TOUS LES AVERTISSEMENTS ET TOUTES LES INSTRUCTIONS POUR RÉFÉRENCE FUTURE

Le terme « outil électrique » dans les avertissements fait référence à votre outil électrique alimenté par le secteur (outil filaire) ou par pile (outil sans fil).

### 1) Sécurité de la zone de travail

- a) **Gardez votre zone de travail propre et bien éclairée.** Cluttered or dark areas invite accidents.
- b) **N'utilisez pas des outils électriques dans une atmosphère explosive, par exemple en présence de liquides, de gaz ou de poussières inflammables.** Les outils électriques produisent des étincelles qui risquent de mettre feu aux poussières ou émanations de fumée.
- c) **Gardez les enfants et autres personnes présentes à une distance suffisante lorsque vous utilisez un outil électrique.** Des distractions risqueraient de vous faire perdre le contrôle.

### 2) Sécurité électrique

- a) **La fiche de l'outil électrique doit correspondre à la prise de courant. Ne modifiez jamais la fiche de quelque façon que ce soit. N'utilisez pas d'adaptateurs de fiches avec des outils électriques mis à la terre/à la masse.** L'emploi de fiches non modifiées et de prises de courant correspondant naturellement aux fiches réduira le risque de choc électrique.
- b) **Évitez tout contact de votre corps avec des surfaces mises à la terre ou à la masse telles que des surfaces de tuyaux, de radiateurs, de cuisinières et de réfrigérateurs.** Il existe un risque accru de choc électrique si votre corps est en contact avec la terre ou la masse.
- c) **N'exposez pas la machine à la pluie ou à un environnement humide lors de son utilisation.** La pénétration d'eau dans la machine peut augmenter le risque de choc électrique ou de dysfonctionnement pouvant entraîner des blessures corporelles.
- d) **N'utilisez pas le cordon de façon abusive. N'utilisez pas le cordon pour porter, tirer ou débrancher l'outil électrique. Tenez le cordon à distance de toute source de chaleur, d'huile, de bords tranchants ou de pièces mobiles.** Des cordons endommagés ou entortillés augmentent le risque de choc électrique.
- e) **Lorsque vous utilisez un outil électrique à l'extérieur, employez un cordon de rallonge approprié pour un emploi à l'extérieur.** L'utilisation d'un cordon approprié pour une utilisation à l'extérieur réduit le risque de choc électrique.
- f) **S'il est inévitable d'utiliser un outil électrique dans un environnement humide, utilisez une alimentation protégée par un disjoncteur avec circuit de fuite à la terre (GFCI).** L'utilisation d'un circuit GFCI réduit le risque de choc électrique.

### 3) Sécurité personnelle

- a) **Faites preuve de vigilance et de bon sens, et observez attentivement ce que vous faites lorsque vous utilisez un outil électrique. N'utilisez pas un outil électrique si vous êtes fatigué(e) ou sous l'influence de drogues, d'alcool ou de médicaments.** Un simple moment d'inattention pendant que vous utilisez un outil électrique pourrait causer une blessure grave.

- b) Utilisez des équipements de protection personnelle. Portez toujours des équipements de protection des yeux.** Des équipements de protection tels qu'un masque de protection contre la poussière, des chaussures de sécurité antidérapantes, un casque ou un dispositif de protection de l'ouïe utilisés en fonction des conditions réduiront le nombre des blessures.
- c) Prévenez une mise en marche accidentelle. Assurez-vous que l'interrupteur est dans la position d'arrêt (OFF) avant de connecter l'appareil à une source d'alimentation et/ou à un bloc-piles, de le soulever ou de le transporter.** Le fait de transporter des outils électriques avec le doigt sur l'interrupteur ou de mettre sous tension des outils électriques avec l'interrupteur en position de marche invite les accidents.
- d) Retirez toute clé de réglage pouvant être attachée à l'outil avant de mettre l'outil électrique sous tension.** Une clé laissée attachée à une pièce en rotation de l'outil électrique pourrait causer une blessure.
- e) Ne vous penchez pas excessivement au-dessus de la souffleuse. Veillez à toujours garder un bon équilibre et un appui stable.** Ceci permet de mieux contrôler l'outil électrique dans des situations inattendues.
- f) Portez des vêtements appropriés. Ne portez pas de bijoux ou de vêtements amples. Gardez vos cheveux et vos vêtements à une distance suffisante des pièces mobiles.** Les vêtements amples, bijoux ou cheveux longs pourraient être attrapés par des pièces mobiles.
- g) Si des dispositifs sont fournis pour le raccordement d'accessoires d'extraction et de collecte de la poussière, assurez-vous qu'ils sont connectés et utilisés de façon appropriée.** L'emploi correct des accessoires de collecte de la poussière peut réduire les dangers associés à la poussière.
- h) Ne laissez pas la familiarité résultant de l'utilisation fréquente des outils vous inciter à devenir complaisant(e) et à ignorer les principes de sécurité des outils.** Une action négligente pourrait causer des blessures graves en une fraction de seconde.

#### 4) Utilisation et entretien de l'outil électrique

- a) N'imposez pas de contraintes excessives à l'outil électrique. Utilisez l'outil électrique approprié pour votre application.** L'outil électrique correct fera le travail plus efficacement et avec plus de sécurité à la vitesse à laquelle il a été conçu pour fonctionner.
- b) N'utilisez pas l'outil électrique si l'interrupteur de marche/arrêt ne permet pas de le mettre sous tension/hors tension.** Tout outil électrique qui ne peut pas être contrôlé par son interrupteur est dangereux et doit être réparé.
- c) Débranchez la fiche de la prise secteur et/ou retirez le bloc-piles de l'outil électrique (s'il est amovible) avant d'y apporter de quelconques modifications, de changer d'accessoire ou de ranger l'outil électrique.** De telles mesures de sécurité préventives réduisent le risque de déclenchement accidentel de l'outil électrique.
- d) Rangez les outils électriques qui ne sont pas utilisés activement hors de portée des enfants, et ne laissez aucune personne n'ayant pas lu ces instructions et ne sachant pas comment utiliser un tel outil se servir de cet outil.** Les outils électriques sont dangereux quand ils sont entre les mains d'utilisateurs n'ayant pas reçu la formation nécessaire à leur utilisation.
- e) Entretenez de façon appropriée les outils électriques et les accessoires. Assurez-vous que les pièces en mouvement sont bien alignées et qu'elles ne se coincent pas, qu'il n'y a pas de pièces cassées ou qu'il n'existe aucune situation pouvant affecter le fonctionnement de l'outil électrique. Si l'outil électrique est endommagé, faites-le réparer avant de vous en servir à nouveau.** De nombreux accidents sont causés par des outils électriques mal entretenus.

- f) **Gardez les outils de coupe tranchants et propres.** Des outils de coupe entretenus de façon adéquate avec des bords de coupe tranchants sont moins susceptibles de se coincer et sont plus faciles à contrôler.
- g) **Utilisez l'outil électrique, les accessoires, les mèches de perçage, etc. conformément à ces instructions, en tenant compte des conditions de travail et de la tâche à accomplir.** L'utilisation de l'outil électrique pour des opérations différentes de celles pour lesquelles il est conçu pourrait causer une situation dangereuse.
- h) **Gardez les poignées et les surfaces de préhension propres, sèches et exemptes de toute trace d'huile ou de graisse.** Les poignées et les surfaces de préhension glissantes ne permettent pas une manipulation et un contrôle sûrs de l'outil dans des situations inattendues.

## 5) Utilisation et entretien de l'outil électrique à pile

- a) **Ne rechargez l'outil qu'avec le chargeur indiqué par le fabricant.** Un chargeur qui est approprié pour un type de bloc-piles pourrait créer un risque d'incendie quand il est utilisé avec un autre bloc-piles.
- b) **Utilisez votre outil exclusivement avec des blocs-piles conçus spécifiquement pour celui-ci.** L'emploi de tout autre bloc-piles risquerait de causer des blessures et un incendie.
- c) **Lorsque le bloc-piles n'est pas utilisé, gardez-le à une distance suffisante des autres objets en métal, comme des trombones, pièces de monnaie, clés, clous, vis ou autres petits objets en métal qui pourraient établir une connexion entre une borne et une autre.** Le court-circuitage des bornes d'une pile pourrait causer des brûlures ou un incendie.
- d) **Dans des conditions d'utilisation abusives, du liquide pourrait être éjecté de la pile; évitez tout contact avec ce liquide. En cas de contact accidentel, lavez avec de l'eau. En cas de contact de liquide avec les yeux, consultez un professionnel de santé.** Tout liquide éjecté d'une pile peut causer de l'irritation ou des brûlures.
- e) **N'utilisez pas un bloc-piles ou un outil qui est endommagé ou a été modifié.** Des piles endommagées ou modifiées peuvent se comporter de façon imprévisible et causer un incendie, une explosion ou des blessures.
- f) **N'exposez pas un bloc-piles ou un outil à un feu ou à une température excessive.** L'exposition à un feu ou à une température supérieure à 130° C / 265° F pourrait causer une explosion.
- g) **Suivez toutes les instructions relatives à la charge et ne chargez pas le bloc-piles ou l'outil en dehors de la plage de température indiquée dans les instructions.** Une charge dans des conditions appropriées ou à des températures en dehors de la plage spécifiée pourrait endommager la pile et augmenter le risque d'incendie.

## 6) Service après-vente

- a) **Faites entretenir votre outil électrique par un réparateur compétent n'utilisant que des pièces de rechange identiques.** Ceci assurera le maintien de la sécurité de l'outil électrique.
- b) **Ne tentez jamais de réparer des blocs-piles endommagés.** La réparation de blocs-piles ne doit être effectuée que par le fabricant ou un prestataire de services agréé.

## Avertissements relatifs à la sécurité pour le taille-bordure/coupe-herbe

- a) **N'utilisez pas le taille-bordure/coupe-herbe si le temps est mauvais, en particulier s'il existe un risque de foudre.** Ceci réduit le risque d'être frappé par la foudre.
- b) **Inspectez attentivement la zone dans laquelle la machine doit être utilisée.** Les animaux sauvages peuvent être blessés par la machine pendant son fonctionnement.
- c) **Inspectez minutieusement la zone où la machine doit être utilisée, et retirez tous les paillasons, traîneaux, planches, fils, os et autres corps étrangers.** La projection d'objets peut causer des blessures.

- d) Avant d'utiliser la machine, vérifiez toujours visuellement que le couteau ou la lame et l'ensemble de couteau ou de lame ne sont pas endommagés.** Les pièces endommagées augmentent le risque de blessure.
- e) Suivez instructions pour le changement d'accessoires.** Des écrous ou boulons de fixation de la lame mal serrés peuvent endommager la lame ou la détacher.
- f) Portez des lunettes de protection, un protège-oreilles, un masque pour la tête et des gants.** Des équipements de protection adéquats réduiront les blessures corporelles causées par la projection de débris ou par un contact accidentel avec le fil de coupe ou la lame.
- g) Lors de l'utilisation de la machine, portez toujours des chaussures antidérapantes et protectrices.** N'utilisez pas la machine si vous êtes pieds nus ou si vous portez des sandales ouvertes. Cela réduit les risques de blessures aux pieds en cas de contact avec les couteaux ou les fils en mouvement.
- h) Lorsque vous utilisez la machine, portez toujours des pantalons longs.** Une peau exposée augmente le risque de blessure par des objets lancés.
- i) Tenez les autres personnes présentes à l'écart pendant l'utilisation de la machine.** La chute de débris pourrait causer des blessures graves.
- j) Tenez toujours la machine des deux mains pendant son fonctionnement.** Tenez la machine des deux mains pour éviter d'en perdre le contrôle.
- k) Tenez seulement la machine par ses surfaces de préhension isolées, parce que le fil de coupe ou la lame pourrait entrer en contact avec des fils sous tension dissimulés.** Un fil de coupe ou une lame qui entre en contact avec un fil sous tension peut mettre les parties en métal exposées de la machine sous tension et causer un choc électrique à l'opérateur.
- l) Gardez toujours un bon équilibre et n'utilisez la machine que si vous êtes debout sur le sol.** Les surfaces glissantes ou instables peuvent vous faire perdre l'équilibre ou vous faire perdre le contrôle de la machine.
- m) N'utilisez pas la machine sur des pentes excessivement raides.** Cela réduit le risque de perte de contrôle, de glissement et de chute pouvant entraîner des blessures.
- n) Lorsque vous travaillez sur des pentes, soyez toujours sûr de votre équilibre, travaillez toujours en travers de la pente, jamais vers le haut ou vers le bas, et soyez extrêmement prudent lorsque vous changez de direction.** Cela réduit le risque de perte de contrôle, de glissement et de chute pouvant entraîner des blessures.
- o) Gardez toutes les parties de votre corps à une distance suffisante du couteau, du fil de coupe ou de la lame lorsque la machine est en marche. Avant de démarrer la machine, assurez-vous que le couteau, le fil de coupe ou la lame n'entre pas en contact avec quoi que ce soit.** Un simple moment d'inattention pendant que vous utilisez la machine pourrait causer une blessure à vous-même ou à d'autres personnes se trouvant à proximité.
- p) N'utilisez pas la machine pour couper plus haut que la hauteur de la taille.** Ceci contribue à prévenir un contact accidentel avec le couteau ou la lame et assure un meilleur contrôle de la machine dans des situations inattendues.
- q) Lorsque vous coupez des broussailles ou des gaules qui sont sous tension, soyez alerte en raison du risque d'effet de rebond.** Lorsque la tension dans les fibres de bois est relâchée, la broussaille ou la gaulle sous tension risque de heurter l'opérateur et/ou de lui faire perdre le contrôle de la machine.
- r) Faites preuve d'une grande prudence lorsque vous coupez des broussailles et des jeunes arbres.** Les morceaux de bois minces risquent d'être attrapés par la lame et projetés vers vous à grande vitesse ou de vous déséquilibrer.
- s) Gardez le contrôle de la machine et ne touchez pas les couteaux, les fils de coupe ou les lames et autres pièces mobiles dangereuses lorsqu'ils sont en**

**mouvement.** Cela permet de réduire le risque de blessures due aux pièces mobiles.

- t) **Transportez la machine après l'avoir éteinte et en l'éloignant de votre corps.** Une manipulation correcte de la machine réduira le risque de contact accidentel avec un couteau, un fil de coupe ou une lame en mouvement.
- u) **N'utilisez que les couteaux, fils de coupe, têtes de coupe et lames de rechange spécifiés par le fabricant.** Des pièces de rechange incorrectes peuvent augmenter le risque de casse et de blessure.
- v) **Lorsque vous retirez des déchets coincés ou lorsque vous effectuez une opération de maintenance de la machine, assurez-vous que l'interrupteur est en position d'arrêt et que le bloc-piles a été retiré.** Une mise en marche inattendue de la machine pendant que l'opérateur s'efforce d'en retirer des déchets coincés ou est en train d'effectuer une opération d'entretien pourrait causer une blessure grave.
- w) **N'utilisez l'appareil qu'avec les blocs-piles et les chargeurs indiqués ci-dessous :**

Blocs-piles	Chargeur
BY8705-00, BY8708C-01, BY8708-00, BY8723C-00	SC5364-00, SC5376C-00

- x) **Endommagement du taille-bordure/coupe-herbe** - Si vous heurtez un corps étranger avec le taille-bordure/coupe-herbe ou s'il s'emmêle, arrêtez immédiatement l'outil, regardez s'il est endommagé et faites-le réparer avant de poursuivre l'opération. Ne l'utilisez pas avec un dispositif de protection ou une bobine cassée.
- y) **Si l'équipement commence à vibrer de façon anormale, arrêtez immédiatement le moteur et recherchez la cause du problème.** Des vibrations sont généralement un signe avant-coureur d'un problème. Une tête mal fixée peut vibrer, se fendre, se casser ou se détacher du taille-bordure/coupe-herbe, ce qui peut entraîner des blessures graves, ou même mortelles. Assurez-vous que l'attachement de coupe est correctement fixé en place. Si la tête se desserre après avoir été fixée en place, remplacez-la immédiatement. N'utilisez jamais un taille-bordure/coupe-herbe dont un attachement de coupe est mal assujéti.





**CONSERVEZ CES INSTRUCTIONS !**

# SYMBOLES

## Symboles de sécurité

L'objectif des symboles de sécurité est d'attirer votre attention sur les dangers potentiels. Vous devez examiner attentivement et bien comprendre les symboles de sécurité et les explications qui les accompagnent. Les symboles d'avertissement en tant que tels n'éliminent pas le danger. Les consignes et les avertissements qui y sont associés ne remplacent en aucun cas les mesures préventives adéquates.

**⚠ AVERTISSEMENT** Assurez-vous de lire et de comprendre toutes les consignes de sécurité présentées dans le présent guide d'utilisation, notamment toutes les consignes de sécurité indiquées par « **DANGER** », « **AVERTISSEMENT** » et « **ATTENTION** » avant d'utiliser cet outil. Le fait de ne pas respecter toutes les consignes de sécurité ci-dessous peut causer un choc électrique, un incendie ou des blessures graves.

Les définitions ci-dessous décrivent le degré de gravité pour chaque mot-indicateur. Veuillez lire ce guide et prêter attention à ces symboles.	
	Voici le pictogramme d'alerte de sécurité. Il sert à vous indiquer les risques potentiels de blessures. Respectez toutes les consignes de sécurité associées à ce pictogramme pour éviter les risques de blessures ou de mort.
	DANGER indique un danger imminent qui, s'il n'est pas évité, causera des blessures graves ou la mort.
	AVERTISSEMENT indique un risque pouvant entraîner des blessures graves ou la mort s'il n'est pas prévenu.
	ATTENTION, utilisée avec le symbole d'alerte de sécurité, indique un risque potentiel qui, s'il n'est pas éliminé, provoquera des blessures mineures ou moyennement graves.

## Messages d'information et de prévention des dommages

Ces messages contiennent des renseignements importants à l'intention de l'utilisateur ainsi que des consignes à respecter. Le non-respect de celles-ci peut occasionner des dommages à l'équipement ou d'autres dommages matériels. Chaque message est précédé du mot « AVIS », comme dans l'exemple ci-dessous :

**AVIS** : Ne pas suivre ces consignes pourrait occasionner des dommages à l'équipement ou d'autres dommages matériels.











**⚠ AVERTISSEMENT** L'utilisation de tout outil électrique peut entraîner la projection de corps étrangers dans les yeux et ainsi causer des lésions oculaires graves. Lorsque vous utilisez un outil électrique, portez toujours des lunettes de sécurité pourvues d'écrans latéraux et d'un écran facial panoramique, au besoin. Nous recommandons le port d'un masque de sécurité panoramique par-dessus les lunettes ou de lunettes de sécurité standard avec écrans latéraux. Portez toujours des protecteurs oculaires conformes à la norme ANSI Z87.1.



## SYMBOLES (SUITE)







**IMPORTANT:** Certains des symboles suivants peuvent être utilisés sur votre outil. Veuillez les étudier et apprendre leur signification. L'interprétation correcte de ces symboles vous aidera à mieux utiliser votre outil et à vous en servir plus efficacement et en toute sécurité.

Symbole	Nom	Désignation / Explication
V	Volts	Tension (potentiel)
A	Ampères	Courant
Hz	Hertz	Fréquence (cycles par seconde)
W	Watts	Puissance
kg	Kilogrammes	Poids
min	Minutes	Heure
s	Seconds	Heure
Wh	Watt-heures	Capacité de la pile
Ah	Ampères-heures	Capacité de la pile
∅	Diamètre	Taille des mèches, des meules, etc.
$n_0$	Vitesse maximum	Vitesse de rotation maximum
.../min	Nombre de tours ou mouvements de va-et-vient par minute	Révolutions, coups, vitesse de surface, orbites, , etc. par minute
O	Position de désactivation	Vitesse nulle, couple nul...
1,2,3,... I,II,III,	Paramètres du sélecteur	Réglages de la vitesse, du couple ou de la position. Plus haut signifie une vitesse plus élevée.
0 	Sélecteur à variation infinie avec position d'arrêt	La vitesse augmente à partir du réglage 0
	Flèche	Action dans le sens de la flèche
	Courant alternatif (c.a.)	Type ou caractéristique du courant
	Courant continu (c.c.)	Type ou caractéristique du courant
	Courant alternatif ou continu (c.a./c.c.)	Type ou caractéristique du courant
	Construction de Classe II	Désigne des outils de construction à double isolation.
	Mise à la terre de protection	Borne de mise à la terre
	Joint d'étanchéité Li-ion RBRC	Désigne un programme de recyclage des piles Li-ion

Symbole	Nom	Désignation / Explication
	Lisez le symbole dans le mode d'emploi	Alerte l'utilisateur pour qu'il lise le mode d'emploi
	Symbole de port de lunettes de sécurité	Alerte l'utilisateur pour lui demander de porter un dispositif de protection des yeux.
	Utilisez toujours les deux mains.	Alerte l'utilisateur pour lui demander de toujours tenir l'outil avec les deux mains.
	N'utilisez pas le dispositif de protection pour les opérations de tronçonnage.	Alerte l'utilisateur pour lui demander de ne pas utiliser le dispositif de protection pour les opérations de tronçonnage.
	Faites attention aux objets projetés.	Alerte l'utilisateur pour qu'il se méfie des objets projetés.
	Débranchez la pile avant toute opération d'entretien.	Alerte l'utilisateur pour qu'il débranche la pile avant toute opération d'entretien.
	Portez des protecteurs d'oreilles.	Alerte l'utilisateur pour lui demander de porter un dispositif de protection des oreilles.
	Portez un casque pour protéger votre tête.	Alerte l'utilisateur pour lui demander de porter un dispositif de protection de la tête.
	La distance entre la machine et les personnes présentes doit être d'au moins 15 m / 50 pi.	Alerte l'utilisateur pour qu'il maintienne une distance d'au moins 15 m entre la machine et les autres personnes présentes.
	Ne pas utiliser de lames en métal	Alerte l'utilisateur pour lui demander de ne pas utiliser de lames en métal

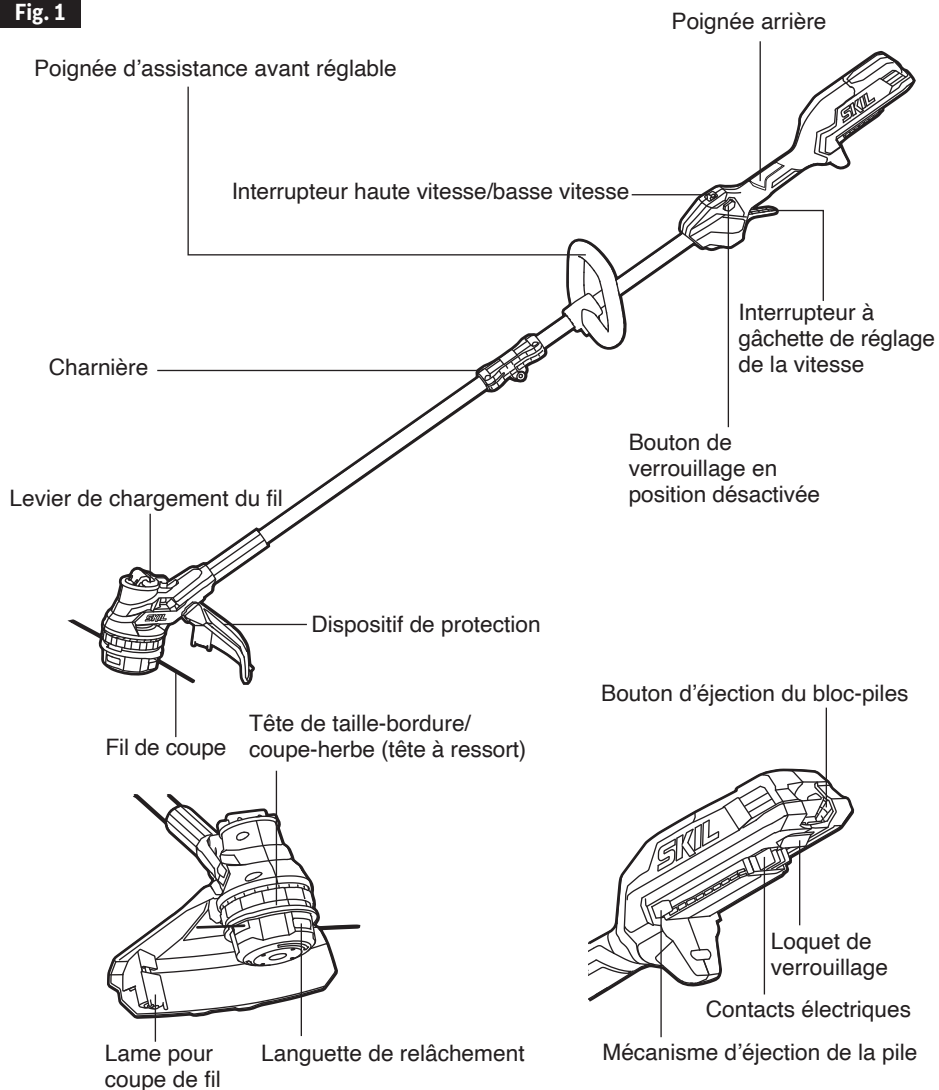
## SYMBOLES (RENSEIGNEMENTS EN MATIÈRE D'HOMOLOGATION)

**IMPORTANT:** Certains des symboles suivants, qui fournissent des renseignements en matière d'homologation, peuvent figurer sur l'outil. Familiarisez-vous avec eux et apprenez leur signification. En comprenant ces symboles, vous serez en mesure de faire fonctionner cet outil de façon adéquate et sécuritaire.

Symbole	Forme au long et explication
	Ce symbole indique que cet outil est répertorié par Underwriters Laboratories.
	Ce symbole indique que cet composant est reconnu par Underwriters Laboratories.
	Ce symbole indique que cet outil est répertorié par Underwriters Laboratories, selon les normes américaines et canadiennes.
	Ce symbole indique que cet outil est répertorié par l'Association canadienne de normalisation.
	Ce symbole indique que cet outil est répertorié par l'Association canadienne de normalisation et qu'il est conforme aux normes américaines et canadiennes.
	Ce symbole indique que cet outil est répertorié par Intertek Testing et qu'il est conforme aux normes américaines et canadiennes.

# FAMILIARISEZ-VOUS AVEC VOTRE TAILLE-BORDURE/ COUPE-HERBE

Fig. 1



### **Poignée arrière**

La poignée ergonomique améliore le confort et la préhension.

### **Interrupteur haute vitesse/basse vitesse**

Alterne entre des plages de vitesses élevées et basses pour différentes tâches, suivant les besoins.

### **Interrupteur à gâchette de réglage de la vitesse**

Met en marche et arrête le taille-bordure/coupe-herbe, et règle la vitesse de la tête de coupe.

### **Bouton de verrouillage en position désactivée**

Contribue à empêcher une activation accidentelle ou non autorisée de la gâchette. Il doit être enfoncé vers la gauche ou vers la droite avant que la gâchette puisse être activée.

### **Poignée d'assistance avant réglable**

Pour contrôler facilement le coupe-herbe pendant les opérations de coupe.

### **Charnière**

Connecte et verrouille les deux arbres repliables.

### **Levier de chargement du fil**

Tournez ce levier à la main dans le sens contraire des aiguilles d'une montre pour enrôler automatiquement le fil dans la tête du taille-bordure/coupe-herbe.

### **Dispositif de protection**

Réduit le risque de blessures causées par des objets étrangers projetés en direction de l'opérateur et par un contact avec l'attachement de coupe.

### **Tête de taille-bordure/coupe-herbe (tête à ressort)**

Sert à ranger le fil de coupe et à le relâcher quand on tapote légèrement la tête sur un sol ferme pendant le fonctionnement.

### **Languette de relâchement**

Appuyez sur les deux languettes pour libérer la tête de coupe de l'outil.

### **Lame pour coupe de fil**

Lame en acier intégrée au dispositif de protection qui maintient le fil de coupe à la longueur appropriée.

### **Bouton d'éjection du bloc-piles**

Détache le bloc-piles de l'outil.

### **Loquet de verrouillage**

Assujettit le bloc-piles à l'outil

### **Mécanisme d'éjection de la pile**

Mécanisme à ressort qui aide à faire sortir la pile de son compartiment.

## SPÉCIFICATIONS

Tension nominale	40V c.c.
Vitesse $n_0$ maximum	Réglage 1 : 4 800/min Réglage 2 : 5 800/min
Mécanisme de coupe	Tête d'alimentation à ressort
Type de fil de coupe	Fil tressé en nylon de 2,0 mm / 0,080 po
Largeur de coupe	38 cm / 15 po
Température de travail recommandée	0 – 40° C / 32 – 104° F
Température de stockage recommandée	0 – 40° C / 32 – 104° F

## ACCESSOIRES RECOMMANDÉS

NOM DE LA PIÈCE	TYPE	NUMÉRO DE MODÈLE
Fil de coupe	Fil tressé en nylon de 2,0 mm / 0,080 po	STL2020

## ASSEMBLAGE

**⚠ AVERTISSEMENT** Pour empêcher tout démarrage accidentel qui pourrait causer une blessure grave, retirez toujours le bloc-piles de l'outil lorsque vous effectuez le montage de pièces, des réglages ou le nettoyage de l'outil – ou lorsque vous n'allez pas vous en servir pendant un certain temps.

**⚠ AVERTISSEMENT** Si certaines pièces sont endommagées ou manquantes, n'utilisez pas ce produit avant que ces pièces aient été remplacées. L'utilisation de ce produit avec des pièces endommagées ou manquantes pourrait causer des blessures graves.

**⚠ AVERTISSEMENT** Ne tentez pas de modifier cet outil ou de créer des accessoires qu'il n'est pas recommandé d'utiliser avec cet outil. Une telle altération ou modification constituerait une utilisation abusive et pourrait créer une situation dangereuse avec risque de blessures graves.

### Déballage

- Ce produit nécessite un assemblage.
- Retirez le produit et tous les accessoires de la boîte en prenant les précautions nécessaires. Assurez-vous que tous les articles indiqués sur la boîte sont inclus.
- Inspectez attentivement le produit pour vous assurer qu'aucun dommage ou bris de pièce(s) ne s'est produit pendant le transport.
- Ne jetez pas les matériaux d'emballage avant d'avoir inspecté attentivement le produit et de l'avoir mis en marche de façon satisfaisante.
- Si une pièce quelconque est endommagée ou manquante, rappelez le produit dans le magasin où vous l'avez acheté.

### Comment déplier l'arbre

**⚠ AVERTISSEMENT** Afin d'éviter de vous pincer les mains ou les doigts, ne tenez pas l'arbre au niveau des joints.

**⚠ AVERTISSEMENT** Ne tentez pas de faire démarrer le taille-haie avant que l'arbre ne soit verrouillé.

1. Détachez le bloc-piles du coupe-herbe.
2. Placez votre taille-bordure/coupe-herbe sur le sol et déployez soigneusement l'arbre. Assurez-vous que le câble se trouve à l'intérieur de l'arbre afin qu'il ne soit pas pincé lors de la fermeture des joints (Fig. 2).
3. Utilisez un tournevis à tête cruciforme (non inclus) pour verrouiller l'arbre avec les deux boulons (inclus) (Fig. 3).

Fig. 2

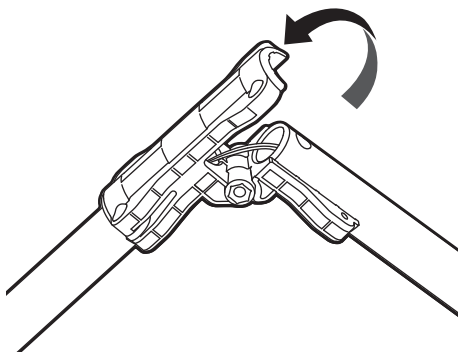
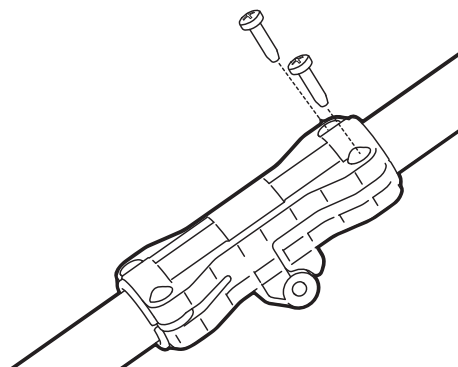


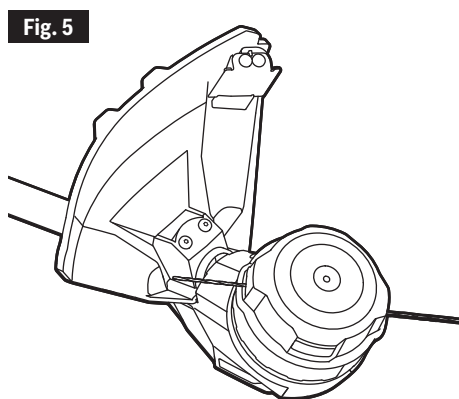
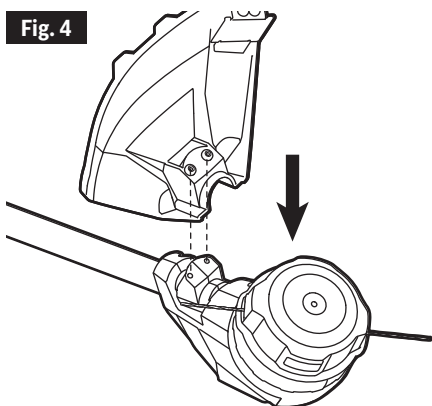
Fig. 3



## Montage du dispositif de protection

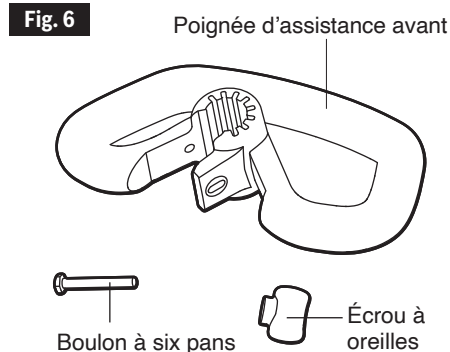
**⚠ AVERTISSEMENT** Portez toujours des gants lorsque vous montez ou remplacez le dispositif de protection. Faites attention à la lame de coupe du fil sur le dispositif de protection et portez des gants pour protéger vos mains afin qu'elles ne risquent pas d'être blessées par la lame.

1. Détachez le bloc-piles du taille-bordure/coupe-herbe.
2. Posez le taille-bordure/coupe-herbe sur le sol de telle façon que la tête du taille-bordure/coupe-herbe soit orientée vers le haut.
3. Alignez les deux boulons (inclus) sur les deux trous de vis dans l'arbre (Fig. 4), puis serrez-les en utilisant un tournevis à tête cruciforme (non inclus) comme illustré à la Fig. 5.



## Montage et réglage de la poignée d'assistance avant

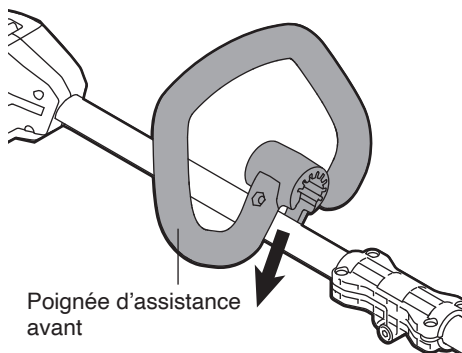
1. Détachez le bloc-piles du coupe-herbe.
2. Desserrez l'écrou à oreilles et retirez-le avec le boulon hexagonal de la poignée d'assistance avant (Fig. 6).



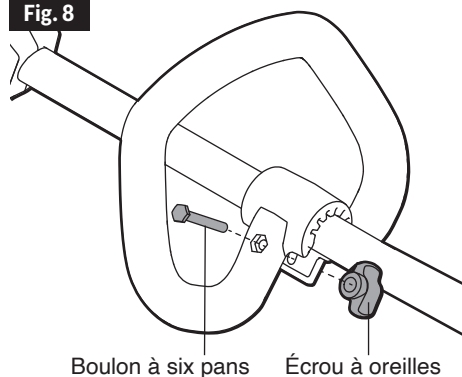


3. Enfoncez la poignée d'assistance avant sur l'arbre. Assurez-vous que la poignée d'assistance avant est positionnée vers le haut et est orientée vers le haut de la poignée arrière (Fig. 7).
4. Montez le boulon hexagonal et l'écrou à ailettes, et pré-serrez l'écrou à ailettes (Fig. 8).
5. Ajustez la position de la poignée d'assistance avant de façon à ce qu'elle soit placée dans la zone de montage, comme illustré à la Fig. 9. La poignée doit être positionnée de façon à ce que le bras que tenant la poignée puisse être droit lorsque vous utilisez le taille-bordure/ coupe-herbe.

**Fig. 7**



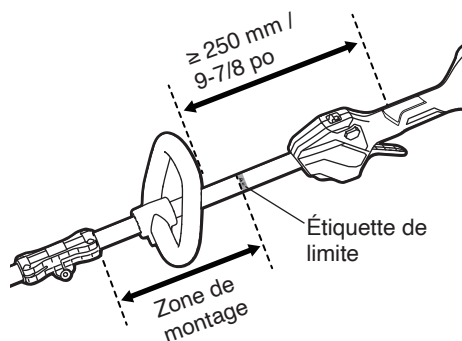
**Fig. 8**



**⚠ AVERTISSEMENT** La poignée d'assistance frontale doit être placée dans la zone de montage, sans dépasser l'étiquette de limite, de telle sorte que la distance entre le centre des poignées soit d'au moins 250 mm / 9-7/8 po pour assurer un fonctionnement sans danger.

6. Serrez l'écrou à oreilles de manière à empêcher la poignée de se déplacer le long de l'arbre.

**Fig. 9**



## INSTRUCTIONS POUR L'UTILISATION

**⚠ AVERTISSEMENT** Pour réduire les risques d'incendie, de blessures et de dommages au produit dus à un court-circuit, ne plongez jamais votre outil, le bloc-piles ou le chargeur dans un liquide ou ne laissez pas de liquide s'écouler à l'intérieur de ceux-ci. Des liquides corrosifs ou conducteurs tels que l'eau de mer, certains produits chimiques industriels, l'eau de Javel ou des produits contenant de l'eau de Javel, etc. peuvent causer un court-circuit.

**⚠ AVERTISSEMENT** N'utilisez pas d'attachelements ou d'accessoires qui ne sont pas recommandés par le fabricant de ce produit. L'utilisation d'attachelements ou d'accessoires qui ne sont pas recommandés peut causer des blessures graves.

**⚠ AVERTISSEMENT** Ne tentez pas de modifier cet outil ou le bloc-piles, ou de créer des accessoires qu'il n'est pas recommandé d'utiliser avec cet outil. Une telle altération ou modification constituerait une utilisation abusive et pourrait créer une situation dangereuse avec risque de blessures graves.

**⚠ AVERTISSEMENT** Pour empêcher tout démarrage accidentel qui pourrait causer une blessure grave, retirez toujours le bloc-piles de l'outil lorsque vous effectuez le montage de pièces, des réglages ou le nettoyage de l'outil – ou lorsque vous n'allez pas vous en servir pendant un certain temps.

**⚠ AVERTISSEMENT** Ne laissez pas l'habitude de l'utilisation de ce produit vous empêcher de prendre toutes les précautions requises. N'oubliez jamais qu'une fraction de seconde d'inattention suffit pour entraîner de graves blessures.

**⚠ AVERTISSEMENT** Portez toujours des lunettes de sécurité avec des écrans latéraux marqués comme étant conformes à la norme ANSI Z87.1, ainsi que des protège-oreilles. Si vous ne portez pas ces dispositifs de protection, vous pourriez subir des blessures graves, y compris par la projection d'objets dans vos yeux.

### Application

Vous pouvez utiliser ce produit pour faire ce qui suit :

**Taille** : utilisation pour enlever l'herbe et les mauvaises herbes le long des murs, des clôtures, des arbres et des haies.

**Coupe** : utilisation pour couper de l'herbe qui serait difficile à atteindre avec une tondeuse normale.

---

### Pour attacher/détacher le bloc-piles

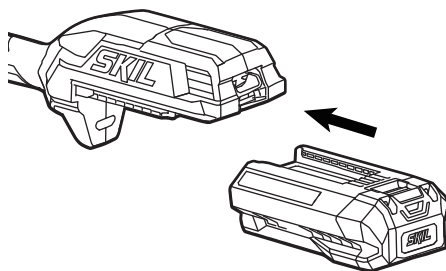
**⚠ AVERTISSEMENT** Les outils alimentés par des piles sont toujours prêts à fonctionner. Par conséquent, retirez la pile lorsque vous assemblez des composants, effectuez des réglages ou nettoyez l'outil, ou lorsque l'outil n'est pas utilisé ou lorsque vous le transportez à vos côtés. Le retrait du bloc-piles empêchera une mise en marche accidentelle qui risquerait de causer des blessures graves.

### Fixation du bloc-piles (Fig. 10) :

1. Alignez les nervures du bloc-piles sur les fentes de montage des piles sur le taille-bordure/coupe-herbe.
2. Faites glisser le bloc-piles à l'intérieur jusqu'à ce qu'il se mette dans la position correcte (vous entendrez alors un déclic).

**AVIS :** Assurez-vous que le loquet de verrouillage sur le taille-bordure/coupe-herbe est bien en place et que le bloc-piles est bien assujéti à l'outil avant de commencer à l'utiliser.

Fig. 10



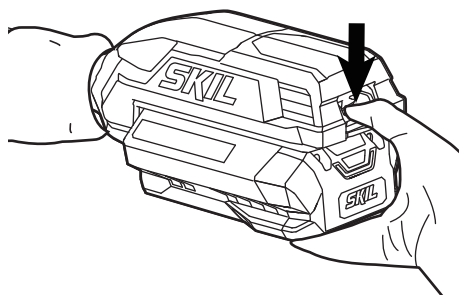
### Retrait du bloc-piles (Fig. 11) :

**⚠ AVERTISSEMENT** Contrôlez toujours la position de vos pieds et les endroits où se trouvent les enfants et les animaux domestiques avant d'appuyer sur le bouton d'éjection des piles. Ne retirez JAMAIS le bloc-piles lorsque vous vous trouvez à un endroit surélevé. La chute du bloc-piles pourrait causer des blessures graves.

1. Tenez le bloc-piles dans la paume de votre main.
2. Appuyez sur le bouton d'éjection des piles avec votre pouce ; le bloc-piles se détachera alors du loquet de verrouillage.
3. Saisissez le bloc-piles et retirez-le du taille-bordure/coupe-herbe.

Fig. 11

Appuyez pour relâcher.



## Comment tenir le taille-bordure/ coupe-herbe

Fig. 12



**⚠ AVERTISSEMENT** Habillez-vous de façon appropriée pour réduire le risque de blessure lorsque vous utilisez cet outil. Ne portez pas de bijoux ou de vêtements amples. Portez des lunettes de sécurité et, des protège-oreilles ou un autre équipement de protection de l'ouïe. Portez des pantalons longs robustes, des bottes et des gants. Ne portez pas de shorts ou de sandales, et n'utilisez pas cet outil en étant pieds nus.

Avant de faire fonctionner l'appareil, mettez-vous en position pour l'utilisation et vérifiez que :

- L'opérateur porte une protection oculaire et des vêtements appropriés.
- Un bras est légèrement courbé, et la main de ce bras tient la poignée arrière.
- L'autre bras est droit, et cette main tient la poignée d'assistance avant.
- La tête du taille-bordure/coupe-herbe est parallèle au sol et entre facilement en contact avec le matériau à couper sans que l'opérateur ait à se pencher (Fig. 12).

---

## Mise en marche / arrêt du taille-bordure/coupe-herbe

Avant de mettre le taille-bordure/coupe-herbe en marche :

- Assurez-vous que vous êtes solidement sur vos pieds et bien équilibré(e).
- Tenez-vous bien droit(e) et tenez le taille-bordure/coupe-herbe dans une position détendue.
- Assurez-vous que le fil de coupe ne touche pas le sol ou de quelconques autres objets.
- Tenez le taille-bordure/coupe-herbe avec les deux mains : une main sur la poignée arrière et une main sur la poignée d'assistance avant.

## Mise en marche du taille-bordure/coupe-herbe (Fig. 13)

1. Appuyez sur le bouton de verrouillage en position d'arrêt vers la droite/gauche et maintenez-le dans cette position. Appuyez sur l'interrupteur à gâchette pour mettre en marche le taille-bordure/coupe-herbe. Relâchez le bouton de verrouillage en position d'arrêt et continuez à comprimer l'interrupteur à gâchette pour que le taille-bordure/ coupe-herbe continue à fonctionner.

2. La vitesse de rotation de la tête du taille-bordure/coupe-herbe est contrôlée par la gâchette du variateur de vitesse. Une pression plus forte sur la gâchette produit une vitesse plus élevée ; une pression réduite sur la gâchette produit une vitesse plus basse. Réglez la vitesse en fonction de la tâche à accomplir.

**REMARQUE :** Le moteur ne se met en marche que lorsque le bouton de verrouillage en position d'arrêt et l'interrupteur à gâchette sont tous les deux enfoncés.

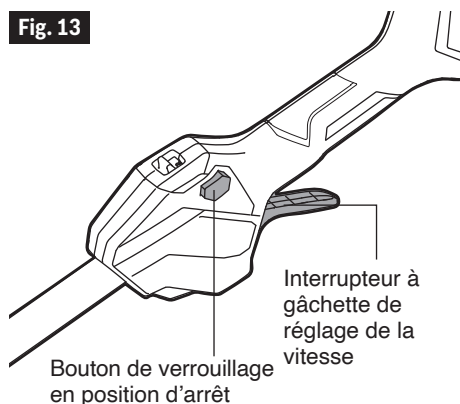
### Arrêt du taille-bordure/coupe-herbe

Relâchez l'interrupteur à gâchette.



**Retirez toujours le bloc-piles du taille-bordure/coupe-herbe pendant les pauses et après avoir fini votre travail.**

Fig. 13

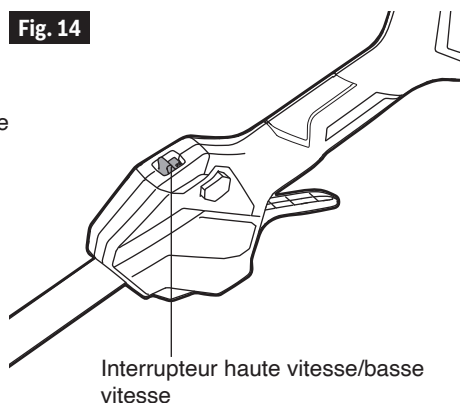


## Changement de la plage de vitesses (Fig. 14)

Le taille-bordure/coupe-herbe a deux plages de vitesses. Appuyez sur le commutateur de vitesse rapide/lente pour changer la vitesse de coupe entre lente (réglage 1) et rapide (réglage 2).

La gamme de vitesse lente permet un meilleur contrôle du taille-bordure/coupe-herbe et une plus longue durée d'utilisation par charge.

Fig. 14



## Utilisation du taille-bordure/coupe-herbe

**⚠ AVERTISSEMENT** Pour éviter des blessures graves, portez des lunettes de protection ou des lunettes de sécurité à tout moment lorsque vous utilisez cet appareil. Portez un masque facial ou un masque de protection contre la poussière dans les endroits poussiéreux.

**⚠ AVERTISSEMENT** Pour éviter tout risque de blessure grave, retirez le bloc-piles de l'outil avant de le réparer ou de le nettoyer, ou de retirer des déchets de l'outil. Dégagez la zone à couper avant chaque utilisation. Retirez tous les objets, tels que les pierres, le verre brisé, les clous, le fil de fer ou la ficelle qui peuvent être jetés dans l'attachement de coupe ou s'emmêler dans celui-ci.

**Assurez-vous qu'il n'y a pas d'enfants ou d'autres personnes, ou des animaux domestiques, à proximité. Gardez tous les enfants, les spectateurs et les animaux domestiques à une distance d'au moins 15 m / 50 pi.** Les spectateurs peuvent toujours être exposés à des risques liés aux objets projetés ; il convient de les encourager à porter une protection oculaire. Si quelqu'un s'approche de vous, arrêtez immédiatement le moteur.

**Vérifiez qu'aucune pièce n'est endommagée ou excessivement usée avant chaque utilisation.**

Inspectez la tête du taille-bordure/coupe-herbe, son dispositif de protection et la poignée d'assistance avant, et remplacez toutes les pièces qui sont fissurées, tordues, recourbées ou endommagées de quelque façon que ce soit..

La lame pour couper le fil sur le bord du dispositif de protection peut s'érousser avec le temps. Il est recommandé que vous affûtiez périodiquement la lame avec une lime ou que vous la remplaciez par une nouvelle lame.

**⚠ AVERTISSEMENT** Portez toujours des gants quand vous montez ou remplacez le dispositif de protection or quand vous affûtez ou remplacez la lame pour couper le fil. Notez la position de la lame sur le dispositif de protection et faites en sorte que votre main ne soit pas exposée à une blessure.

**Nettoyez le taille-haie après chaque utilisation.**

Veillez consulter la rubrique Maintenance pour des instructions sur le nettoyage.

**⚠ AVERTISSEMENT** N'utilisez jamais d'eau pour nettoyer votre taille-haie. Évitez d'utiliser des solvants lorsque vous nettoyez des pièces en plastique. La plupart des plastiques sont susceptibles d'être endommagés par divers types de solvants commerciaux. Utilisez des chiffons propres pour retirer les saletés, la poussière, l'huile, la graisse, etc.

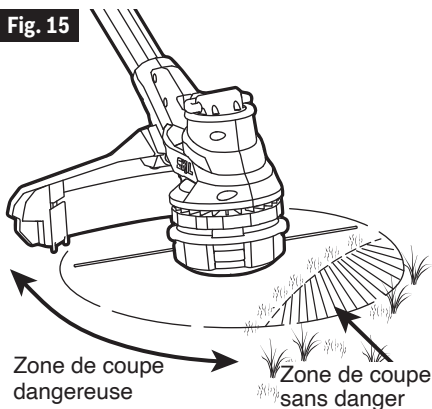
**Vérifiez que la tête du taille-bordure/coupe-herbe n'est pas bloquée**

Pour éviter tout blocage, gardez la tête du taille-bordure/coupe-herbe propre. Retirez toute l'herbe coupée, les feuilles, les saletés et tous les autres débris accumulés avant et après chaque utilisation.

En cas de blocage, arrêtez le taille-bordure/coupe-herbe et retirez la pile, puis enlevez l'herbe qui a pu s'enrouler autour de l'arbre du moteur ou de la tête du taille-bordure/coupe-herbe.

## Conseils pour obtenir les meilleurs résultats de l'utilisation du taille-bordure/coupe-herbe (Fig. 15)

Fig. 15

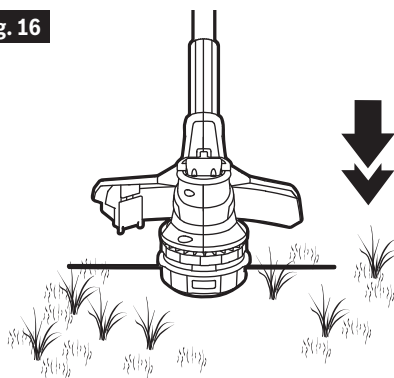


- L'angle correct pour l'attachement de coupe est quand il est parallèle au sol.
- Ne forcez pas le taille-bordure/coupe-herbe. Laissez la pointe du fil faire la coupe (en particulier le long des murs). Si vous coupez avec plus que la pointe, vous réduisez l'efficacité de la coupe et vous risquez également de surcharger le moteur.
- La hauteur de coupe est déterminée par la distance entre le fil de coupe et la surface de la pelouse.
- L'herbe doit être coupée en travaillant progressivement de haut en bas en petits incréments pour éviter une usure prématurée du fil ou un ralentissement du moteur.
- Déplacez lentement le taille-bordure/coupe-herbe dans la zone à couper et faites le ressortir de cette zone lentement, tout en maintenant la position de la tête de coupe à la hauteur de coupe désirée. Ce mouvement peut être soit un mouvement d'avant en arrière, soit un mouvement latéral. Le fait de couper des longueurs plus courtes produit les meilleurs résultats.
- Ne coupez pas quand la pelouse et les mauvaises herbes sont mouillées.
- Le contact avec des fils de fer et des clôtures en lattes verticales peut causer une usure plus rapide ou le bris de l'équipement. Tout contact avec les murs en pierres ou en briques, les trottoirs et le bois peut user rapidement l'équipement.
- Évitez les arbres et les arbustes. L'écorce des arbres, les moulures en bois, les revêtements d'habitations et les poteaux de clôtures peuvent être facilement endommagés par cet équipement.

## Pour ajuster la longueur du fil de coupe

Fig. 16

La tête du taille-haie permet à l'opérateur de relâcher une longueur supplémentaire de fil de coupe sans devoir arrêter le moteur. Lorsque fil s'effiloche ou devient usé, il est possible de relâcher plus de fil en tapotant légèrement la tête du taille-haie contre le sol tout en laissant le taille-haie en marche (Fig. 16).



**⚠ AVERTISSEMENT** Ne retirez pas et n'altérez pas l'ensemble de lame pour couper le fil. Une longueur de fil excessive causera la surchauffe du moteur et pourrait entraîner une blessure grave.

Pour obtenir les meilleurs résultats possibles, tapotez la tête du taille-haie sur le sol nu ou sur une surface dure. Si vous tentez de relâcher le fil dans de l'herbe haute, le moteur risque de surchauffer. Gardez toujours le fil de coupe complètement sorti. Il est plus difficile de relâcher du fil si le fil de coupe est plus court.

## Rechargement du fil de coupe

**AVIS :** Utilisez toujours le fil de coupe en nylon recommandé avec un diamètre qui ne dépasse pas 2,0 mm / 0,080 po. L'utilisation d'un fil de diamètre différent de celui qui est indiqué pourrait causer une surchauffe du taille-haie ou son endommagement.

**⚠ AVERTISSEMENT** N'utilisez jamais un fil renforcé par du métal, un fil métallique, une corde, etc. Ils risqueraient de se casser et de devenir des projectiles dangereux.

**⚠ AVERTISSEMENT** Pour éviter tout risque de blessure grave, retirez le bloc-piles de l'outil avant de le réparer ou de le nettoyer, ou de retirer des déchets de l'outil.

1. Détachez le bloc-piles du taille-bordure/ coupe-herbe.
2. Coupez un morceau de fil de coupe de 5 m (16 pi) de long. Insérez le fil dans l'œillet. Poussez le fil jusqu'à ce que l'extrémité du fil ressorte de l'autre côté de la tête du taille-bordure/coupe-herbe. Tirez le fil de l'autre côté jusqu'à ce que des longueurs de fil égales apparaissent des deux côtés (Fig. 17).
3. Dépliez complètement le levier de chargement du fil depuis sa position de rangement (Fig. 18a).
4. Tournez manuellement le levier de chargement du fil dans le sens inverse des aiguilles d'une montre pour enrouler le fil de coupe dans la tête de coupe jusqu'à ce qu'il y ait environ 13 cm / 5,1 po de fil de chaque côté (Fig. 18b).
5. Rabattez le levier de chargement du fil en position de rangement.
6. Poussez la tête du taille-bordure/coupe-herbe vers le bas tout en tirant sur les extrémités du fil pour faire avancer manuellement le fil et pour vérifier le bon assemblage du fil de coupe.

Fig. 17

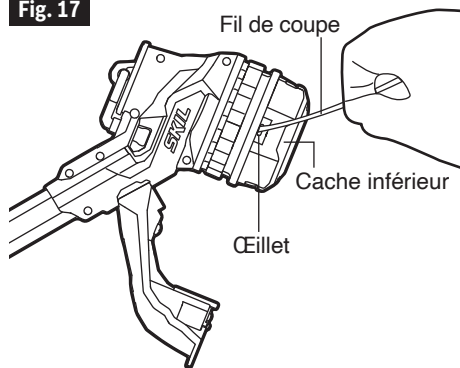


Fig. 18a

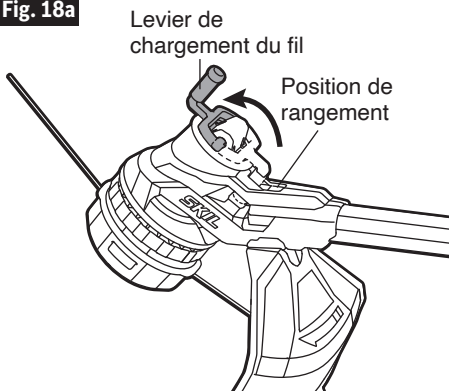
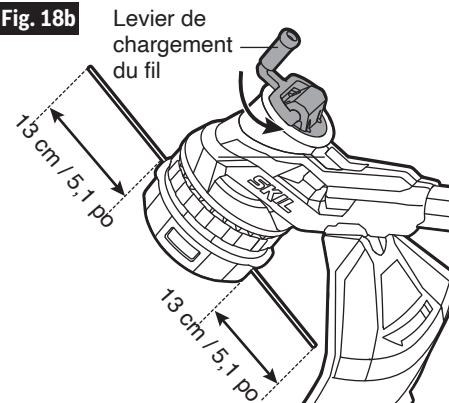


Fig. 18b



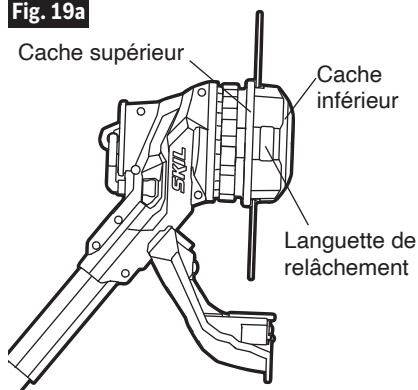


## Remplacement du fil de coupe

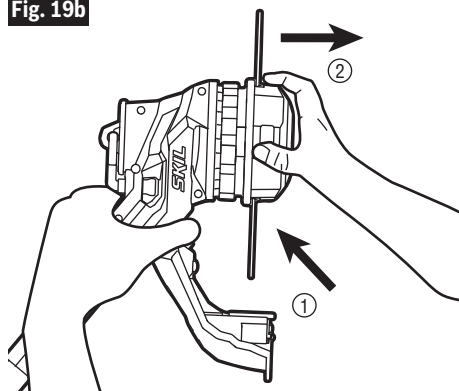
**REMARQUE :** Lorsque le fil de coupe se casse au niveau de l'orifice de sortie du fil ou lorsque le fil de coupe ne se libère pas lorsque vous cognez la tête du taille-bordure/coupe-herbe, il faut retirer le reste du fil de coupe du dispositif de retenue de la bobine et suivre les instructions ci-dessous pour recharger le fil.

1. Détachez le bloc-piles du taille-bordure/coupe-herbe.
2. Appuyez sur les languettes de relâchement sur le cache supérieur et retirez l'ensemble de cache inférieur de la tête du taille-bordure/coupe-herbe en tirant tout droit pour le faire sortir (Fig. 19a & 19b).
3. Retirez tout le fil de coupe restant.
4. Tout en tenant le taille-bordure/coupe-herbe d'une main, servez-vous de l'autre main pour saisir l'ensemble de cache inférieur, et alignez les fentes dans l'ensemble de cache inférieur sur les languettes de relâchement. Appuyez sur l'ensemble de cache inférieur jusqu'à ce qu'il soit positionné en place. Vous entendrez alors un déclic très clair (Fig. 20).
5. Suivez les instructions figurant sous la rubrique « **RECHARGEMENT DU FIL DE COUPE** » pour recharger le fil de coupe.

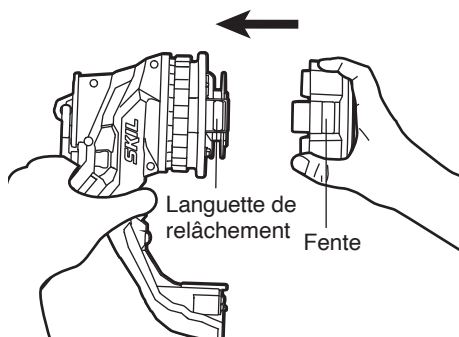
**Fig. 19a**



**Fig. 19b**



**Fig. 20**



## MAINTENANCE

**⚠ AVERTISSEMENT** Lors de toute réparation, n'utilisez que des pièces de rechange identiques. L'utilisation de toutes autres pièces de rechange pourrait créer un danger ou endommager le produit. Inspectez périodiquement l'intégralité du produit pour vous assurer qu'il n'y a pas de pièces endommagées, manquantes ou desserrées comme des vis, des écrous, des boulons, des capuchons, etc. Serrez à fond tous les dispositifs de fixation et capuchons, et ne vous servez pas de ce produit avant que toutes les pièces manquantes ou endommagées aient été remplacées. Veuillez contacter le service à la clientèle ou un centre de service après-vente agréé pour obtenir de l'assistance.

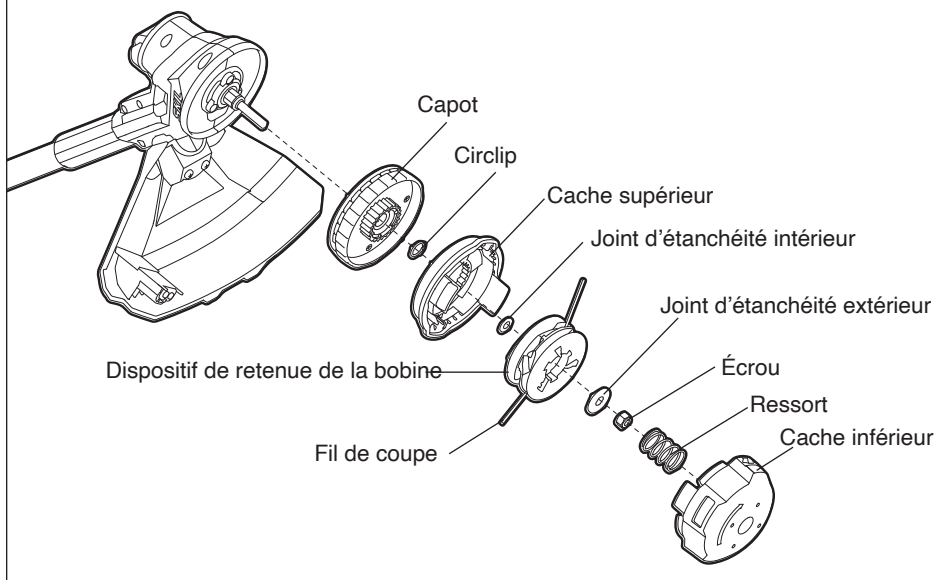
**⚠ AVERTISSEMENT** Il n'est pas nécessaire de brancher les outils alimentés par des piles dans une prise de courant ; ils sont toujours en état de fonctionnement. Pour éviter tout risque de blessure grave, prenez des précautions supplémentaires lorsque vous effectuez une opération d'entretien ou de maintenance, ou lorsque vous changez l'attache de coupe ou d'autres attachements.

**⚠ AVERTISSEMENT** Pour éviter tout risque de blessure grave, retirez le bloc-piles de l'outil avant de le réparer, de le nettoyer ou de retirer des déchets de l'outil.

### Remplacement de la tête du taille-bordure/cope-herbe

**⚠ DANGER** Si la tête se desserre après avoir été fixée en place, remplacez-la immédiatement. N'utilisez jamais un taille-bordure/cope-herbe dont un attachement de coupe est mal assujéti. Remplacez immédiatement toute tête fissurée, endommagée ou usée, même si le dommage est limité à des fissures superficielles. De tels attachements risqueraient de se fracasser à haute vitesse et de causer des blessures graves.

Fig. 21



## Retrait de la tête du taille-bordure/coupe-herbe

1. Détachez le bloc-piles du taille-bordure.
2. Appuyez sur les languettes de relâchement de la tête du taille-bordure/coupe-herbe et retirez l'ensemble de cache inférieur de la tête du taille-bordure/coupe-herbe en tirant tout droit pour le faire sortir (Fig. 22).
3. Retirez le fil de coupe de la tête du taille-bordure/coupe-herbe.
4. Retirez le ressort pour le faire sortir du cache inférieur si nécessaire. Rangez-le en lieu sûr en vue du remontage.
5. Portez des gants. Utilisez une main pour saisir l'ensemble de bobine afin de le stabiliser et utilisez l'autre main pour tenir une clé à chocs (non incluse) pour desserrer l'écrou dans le sens contraire des aiguilles d'une montre (Fig. 23).
6. Retirez l'écrou, le joint d'étanchéité extérieur, le dispositif de retenue de la bobine, le joint intérieur et le couvercle supérieur de l'arbre du moteur.
7. Utilisez une pince à circlips (non incluse) pour retirer le circlip, puis retirez le capot de l'arbre du moteur. (Fig. 24).
8. Remplacez la tête par une nouvelle tête de taille-bordure/coupe-herbe et installez-la en suivant les étapes ci-après.

Fig. 22

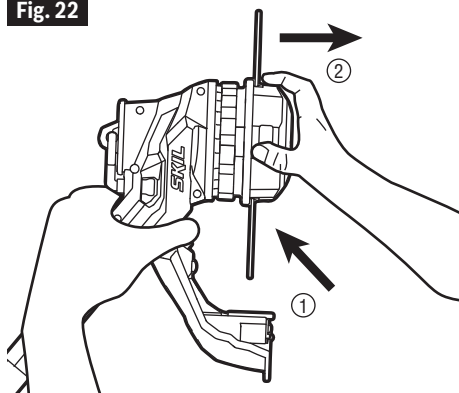
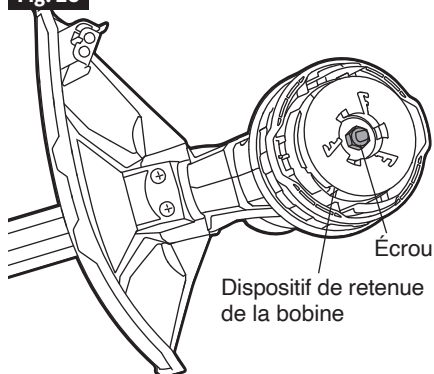


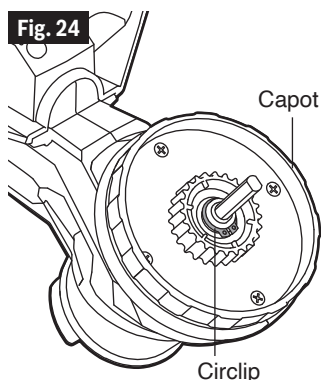
Fig. 23



## Installation de la nouvelle tête du taille-bordure/coupe-herbe

1. Alignez la fente en forme de trou de serrure de l'ensemble de capot sur la languette de l'arbre du moteur et montez l'ensemble de capot en place.
2. Utilisez une pince à circlips (non incluse) pour monter le circlip.
3. Montez le couvercle supérieur, le joint d'étanchéité intérieur, le dispositif de retenue de la bobine, le joint d'étanchéité extérieur et l'écrou. Utilisez une clé à chocs (non incluse) pour serrer l'écrou.
4. Tout en tenant le taille-bordure/coupe-herbe d'une main, servez-vous de l'autre main pour saisir l'ensemble de cache inférieur, et alignez les fentes dans l'ensemble de cache inférieur sur les languettes de relâchement. Appuyez sur l'ensemble de cache inférieur jusqu'à ce qu'il soit positionné en place. Vous entendrez alors un déclic très clair (Fig. 20).
5. Suivez les instructions figurant sous la rubrique « **RECHARGEMENT DU FIL DE COUPE** » dans ce mode d'emploi pour recharger le fil de coupe.
6. Mettez l'outil en marche pour voir si le taille-bordure/coupe-herbe fonctionne normalement. S'il ne fonctionne pas normalement, remontez-le tel que décrit ci-dessus.

Fig. 24



## Nettoyage du taille-bordure/coupe-herbe

- Retirez la pile.
- Détachez toute l'herbe qui peut s'être accumulée autour de l'arbre du moteur ou de la tête du taille-bordure/coupe-herbe.
- Utilisez une petite brosse ou un petit aspirateur pour nettoyer les événements d'aération.
- Assurez-vous que les événements d'aération ne sont jamais bouchés.
- Nettoyez l'équipement en utilisant un chiffon humide avec un détergent doux.
- N'utilisez pas de détergents trop forts sur le logement en plastique ou sur la poignée. Ils pourraient être endommagés par certaines huiles aromatiques, comme le pin et le citron, et par des solvants tels que le kérosène. L'humidité peut également causer un risque de choc électrique. Essayez toute humidité avec un chiffon doux et sec.

## Affûtage de la lame de coupe du fil

**⚠ AVERTISSEMENT** Protégez toujours vos mains en portant des gants épais lorsque vous effectuez des travaux d'entretien sur la lame de coupe du fil.

1. Détachez le bloc-piles du taille-bordure/coupe-herbe.
2. Portez une protection des yeux appropriée ainsi que des gants, et faites attention de ne pas vous couper.
3. Retirez la lame de coupe du fil du dispositif de protection.
4. Sécurisez la lame dans un étau.
5. Affûtez les bords de coupe de la lame avec précaution en utilisant une lime à dents fines ou une pierre à aiguiser, et veillez à conserver l'angle du bord de coupe d'origine.
6. Remettez la lame sur le dispositif de protection et sécurisez-la en place au moyen des deux vis prévues à cet effet.

## Stockage du taille-bordure/coupe-herbe

- Détachez le bloc-piles du taille-bordure/coupe-herbe.
- Nettoyez soigneusement l'outil avant de le ranger.
- Rangez l'outil dans un endroit sec et bien aéré, verrouillé ou en hauteur, hors de portée des enfants. Ne rangez pas cet équipement sur des engrais, de l'essence ou d'autres produits chimiques, ou à proximité de ceux-ci.
- Tenez-le à distance des agents corrosifs tels que des produits chimiques de jardins et des sels pour faire fondre la glace.

## Service après-vente

Nous recommandons que toutes les opérations de maintenance de cet outil soient effectuées par un centre de service après-vente usine SKIL ou par un poste de service agréé par SKIL.

## RECHERCHE DE LA CAUSE DES PROBLÈMES

Problème	Cause	Remède
Le taille-bordure/ coupe-herbe ne se met pas en marche.	<ul style="list-style-type: none"> <li>• Le bloc-piles n'est pas attaché correctement au taille-bordure/coupe-herbe.</li> <li>• Il n'y a pas de contact électrique entre le taille-bordure et le bloc-piles.</li> <li>• Le bloc-piles est déchargé.</li> <li>• Le bouton de verrouillage en position d'arrêt et l'interrupteur à gâchette ne sont pas enfoncés simultanément.</li> </ul>	<ul style="list-style-type: none"> <li>• Attachez le bloc-piles au taille-haie.</li> <li>• Retirez le bloc-piles, inspectez les contacts et réinstallez le bloc-piles.</li> <li>• Chargez le bloc-piles.</li> <li>• Appuyez sur le bouton de verrouillage en position d'arrêt et maintenez-le enfoncé, puis appuyez sur la gâchette de l'interrupteur pour faire démarrer le taille-bordure/coupe-herbe.</li> </ul>
Le taille-bordure/ coupe-herbe cesse de fonctionner pendant qu'il est en train de couper.	<ul style="list-style-type: none"> <li>• Le dispositif de protection n'est pas monté sur le taille-bordure, ce qui produit un fil de coupe excessivement long et la surcharge du moteur.</li> <li>• Un fil de coupe inapproprié est utilisé.</li> <li>• L'arbre du moteur ou la tête du taille-bordure/ coupe-herbe est obstrué par de l'herbe.</li> <li>• Le moteur est en état de surcharge.</li> <li>• Le bloc-piles ou le taille-bordure/coupe-herbe est trop chaud.</li> <li>• Le bloc-piles est déconnecté de l'outil.</li> <li>• Le bloc-piles est déchargé.</li> </ul>	<ul style="list-style-type: none"> <li>• Retirez le bloc-piles et montez le dispositif de protection sur le taille-bordure/coupe-herbe.</li> <li>• Utilisez un fil de coupe en nylon recommandé avec un diamètre ne dépassant pas 2,0 mm / 0,080 po.</li> <li>• Arrêtez le taille-bordure/coupe-herbe, retirez les piles et détachez l'herbe pouvant s'être accumulée sur l'arbre du moteur et la tête du taille-bordure/ coupe-herbe.</li> <li>• Retirez la tête du taille-bordure/coupe-herbe de l'herbe. Le moteur pourra recommencer à fonctionner dès que la charge aura été retirée. Lorsque vous êtes en train de couper, déplacez la tête du taille-bordure/coupe-herbe pour la faire entrer dans l'herbe à couper et en sortir, et ne retirez pas trop d'herbe en une seule opération de coupe.</li> <li>• Laissez le bloc-piles ou le taille-bordure/coupe-herbe refroidir.</li> <li>• Réinstallez le bloc-piles.</li> <li>• Chargez le bloc-piles.</li> </ul>

Problème	Cause	Remède
<p>La tête du taille-bordure/coupe-herbe ne fait pas avancer le fil.</p>	<ul style="list-style-type: none"> <li>• L'arbre du moteur ou la tête du taille-bordure/coupe-herbe est obstrué par de l'herbe.</li> <li>• Il n'y a pas assez de fil dans la tête du taille-bordure/coupe-herbe, ou le fil se casse au niveau de l'œillet.</li> <li>• Le fil est emmêlé dans la tête du taille-bordure.</li> <li>• Le fil qui apparaît sur chacune des têtes de coupe est trop court.</li> </ul>	<ul style="list-style-type: none"> <li>• Arrêtez le taille-bordure/coupe-herbe, retirez les piles et détachez l'herbe pouvant s'être accumulée sur l'arbre du moteur et la tête du taille-bordure/coupe-herbe.</li> <li>• Retirez les piles et remplacez le fil de coupe en suivant les instructions figurant sous la rubrique « <b>REPLACEMENT DU FIL</b> » de ce mode d'emploi.</li> <li>• Retirez les piles, retirez le fil de la tête du taille-bordure/coupe-herbe et rembobinez en suivant les instructions de la rubrique « <b>RECHARGEMENT DU FIL DE COUPE</b> » de ce mode d'emploi.</li> <li>• Poussez la tête du taille-bordure/coupe-herbe vers le bas tout en tirant sur les extrémités du fil pour faire avancer manuellement le fil et pour vérifier le bon assemblage du fil de coupe. Rechargez le fil de coupe si nécessaire.</li> </ul>
<p>De l'herbe enveloppe la tête du taille-bordure/coupe-herbe et le boîtier du moteur.</p>	<ul style="list-style-type: none"> <li>• Coupe d'herbes hautes au niveau du sol.</li> </ul>	<ul style="list-style-type: none"> <li>• Coupez l'herbe haute de haut en bas, en ne coupant pas de morceaux longs à chaque passe afin d'éviter que l'herbe ne s'accumule autour de l'équipement.</li> </ul>
<p>La lame ne coupe pas le fil.</p>	<ul style="list-style-type: none"> <li>• La lame pour couper le fil sur le bord du dispositif de protection s'est émoussée.</li> </ul>	<ul style="list-style-type: none"> <li>• Affûtez la lame pour couper le fil avec une lime ou remplacez-la par une nouvelle lame.</li> </ul>
<p>Fissures sur la tête du taille-bordure/coupe-herbe ou détachement de l'ensemble de bobine.</p>	<ul style="list-style-type: none"> <li>• La tête du taille-bordure/coupe-herbe est usée.</li> <li>• L'écrou qui verrouille la tête du taille-bordure/coupe-herbe est mal assujetti.</li> </ul>	<ul style="list-style-type: none"> <li>• Remplacez immédiatement la tête du taille-bordure/coupe-herbe suivant les instructions figurant sous la rubrique « <b>REPLACEMENT DE LA TÊTE DU TAILLE-BORDURE/COUPE-HERBE</b> » de ce mode d'emploi.</li> <li>• Ouvrez la tête du taille-bordure/coupe-herbe et utilisez une clé à chocs pour serrer l'écrou.</li> </ul>

# GARANTIE LIMITÉE DES OUTILS SANS FIL SKIL

## GARANTIE LIMITÉE DE 5 ANS

Chervon North America, Inc. (le « vendeur ») garantit à l'acheteur initial seulement que tous les OUTILS SKIL destinés à un usage résidentiel seront exempts de défauts de matériaux ou de fabrication pour une période de cinq ans à compter de la date d'achat si l'acheteur initial enregistre l'article dans les 30 jours suivant la date d'achat. LES PILES ET LES CHARGEURS sont garantis pour une période de 2 ans. L'enregistrement de l'article peut être effectué en ligne au [www.Registermyskil.com](http://www.Registermyskil.com). De plus, nous recommandons aux acheteurs initiaux de conserver leur reçu comme preuve d'achat. LA PÉRIODE DE GARANTIE DE CINQ ANS SUR LES OUTILS EST CONDITIONNELLE À L'ENREGISTREMENT DE L'ARTICLE DANS LES 30 JOURS SUIVANT LA DATE D'ACHAT. Si les acheteurs initiaux n'enregistrent pas leur article dans le délai prévu, la garantie limitée sur les outils électriques susmentionnée ne s'appliquera que pour une période de trois ans. Toutes les piles et tous les chargeurs demeureront couverts par la garantie limitée de deux ans.

Nonobstant les dispositions précédentes, si un outil SKIL destiné à un usage résidentiel est utilisé à des fins industrielles, professionnelles ou commerciales, la garantie susmentionnée ne s'appliquera que pour une période de quatre-vingt-dix (90) jours, que l'article ait été enregistré ou non.

LA SEULE OBLIGATION DU VENDEUR ET VOTRE RECOURS EXCLUSIF au titre de cette garantie limitée et, dans les limites permises par la loi, de toute garantie ou condition prévue par la loi, est la réparation ou le remplacement, sans frais, des pièces qui présentent un défaut matériel ou de fabrication, qui n'ont pas fait l'objet d'un usage abusif ou inapproprié et qui n'ont pas été réparées par des personnes autres que le vendeur ou un technicien d'un centre de service autorisé. Pour effectuer une réclamation au titre de la présente garantie limitée, vous devez retourner, port payé, l'article en entier à un centre de service de l'usine de SKIL ou à un centre de service autorisé. Pour communiquer avec un centre de service autorisé de SKIL Power Tools, veuillez visiter le [www.Registermyskil.com](http://www.Registermyskil.com) ou composer le 1 877 SKIL-999 (1 877 754-5999).

CETTE GARANTIE LIMITÉE NE S'APPLIQUE PAS AUX ACCESSOIRES TELS QUE LES LAMES DE SCIE CIRCULAIRE, LES FORETS, LES FRAISES À TOUPIE, LES LAMES DE SCIE SAUTEUSE, LES COURROIES DE PONÇAGE, LES MEULES ET LES AUTRES ACCESSOIRES CONNEXES.

TOUTE GARANTIE IMPLICITE APPLICABLE À UN ARTICLE EST LIMITÉE À UNE DURÉE ÉGALE À LA DURÉE DES GARANTIES EXPRESSES APPLICABLES À UN TEL ARTICLE, COMME IL EST INDIQUÉ AU PREMIER PARAGRAPHE DE CETTE GARANTIE. CERTAINS ÉTATS DES ÉTATS-UNIS ET CERTAINES PROVINCES DU CANADA NE PERMETTENT PAS DE LIMITATIONS QUANT À LA DURÉE DES GARANTIES IMPLICITES, DE SORTE QUE LES LIMITATIONS INDIQUÉES CI-DESSUS PEUVENT NE PAS S'APPLIQUER À VOUS.

LE VENDEUR NE SERA EN AUCUN CAS TENU RESPONSABLE DES DOMMAGES ACCESSOIRES OU CONSÉCUTIFS (Y COMPRIS, SANS TOUTEFOIS S'Y LIMITER, DES PERTES DE PROFIT) RÉSULTANT DE LA VENTE OU DE L'USAGE DE CET ARTICLE. CERTAINS ÉTATS DES ÉTATS-UNIS ET CERTAINES PROVINCES DU CANADA NE PERMETTENT PAS L'EXCLUSION OU LA LIMITATION DES DOMMAGES ACCESSOIRES OU CONSÉCUTIFS, DE SORTE QUE LA LIMITATION OU L'EXCLUSION SUSMENTIONNÉE POURRAIT NE PAS S'APPLIQUER À VOUS.

CETTE GARANTIE LIMITÉE VOUS CONFÈRE DES DROITS PRÉCIS. IL EST POSSIBLE QUE VOUS DISPOSIEZ ÉGALEMENT D'AUTRES DROITS, QUI VARIENT D'UN ÉTAT, D'UNE PROVINCE OU D'UN PAYS À L'AUTRE.

CETTE GARANTIE LIMITÉE S'APPLIQUE UNIQUEMENT AUX ARTICLES VENDUS AUX ÉTATS-UNIS D'AMÉRIQUE, AU CANADA ET À L'ÉTAT LIBRE DE PORTO RICO. POUR CONNAÎTRE LA COUVERTURE DE LA GARANTIE DANS D'AUTRES PAYS, VEUILLEZ COMMUNIQUER AVEC VOTRE DÉTAILLANT OU IMPORTATEUR SKIL LOCAL.

# ÍNDICE

Instrucciones de seguridad importantes .....	61-65
Símbolos .....	66-69
Familiarícese con su orilladora de hilo.....	70-71
Especificaciones .....	72
Accesorio recomendado.....	72
Ensamblaje.....	73-75
Instrucciones de utilización .....	76-83
Mantenimiento .....	83-85
Resolución de problemas.....	86-87
Garantía limitada de SKIL Consumer Tool .....	88



# INSTRUCCIONES DE SEGURIDAD IMPORTANTES

## Advertencias generales de seguridad para herramientas eléctricas

**⚠️ ADVERTENCIA** Lea todas las advertencias de seguridad, instrucciones, ilustraciones y especificaciones suministradas con esta herramienta eléctrica. Si no se siguen todas las instrucciones que se indican a continuación, es posible que el resultado sea descargas eléctricas, incendio y/o lesiones graves.

## GUARDE TODAS LAS ADVERTENCIAS E INSTRUCCIONES PARA REFERENCIA FUTURA.

La expresión “herramienta eléctrica” que se incluye en las advertencias se refiere a su herramienta eléctrica alimentada por la red eléctrica (alámbrica) o su herramienta eléctrica alimentada por baterías (inalámbrica).

### 1) Seguridad en el área de trabajo

- a) **Mantenga el área de trabajo limpia y bien iluminada.** Las áreas de trabajo desordenadas u oscuras invitan a que se produzcan accidentes.
- b) **No utilice herramientas eléctricas en atmósferas explosivas, tales como las existentes en presencia de líquidos, gases o polvos inflamables.** Las herramientas eléctricas generan chispas, las cuales pueden incendiar el polvo o los vapores.
- c) **Mantenga alejados a los niños y a los curiosos mientras esté utilizando una herramienta eléctrica.** Las distracciones pueden hacer que usted pierda el control.

### 2) Seguridad eléctrica

- a) **Los enchufes de las herramientas eléctricas deben coincidir con el tomacorriente. No modifique nunca el enchufe de ninguna manera. No utilice enchufes adaptadores con herramientas eléctricas conectadas a tierra (puestas a masa).** Los enchufes no modificados y los tomacorrientes coincidentes reducirán el riesgo de descargas eléctricas.
- b) **Evite el contacto del cuerpo con las superficies conectadas a tierra o puestas a masa, tales como tuberías, radiadores, estufas de cocina y refrigeradores.** Hay un mayor riesgo de descargas eléctricas si el cuerpo del operador está conectado a tierra o puesto a masa.
- c) **No utilice la máquina en la lluvia ni en condiciones mojadas.** Es posible que la entrada de agua en la máquina aumente el riesgo de descargas eléctricas o un funcionamiento incorrecto que podría causar lesiones corporales.
- d) **No maltrate del cable. No use nunca el cable para transportar, jalar o desenchufar la herramienta eléctrica. Mantenga el cable alejado del calor, el aceite, los bordes afilados o las piezas móviles.** Los cables dañados o enredados aumentan el riesgo de descargas eléctricas.
- e) **Cuando utilice una herramienta eléctrica a la intemperie, use un cable de extensión adecuado para uso a la intemperie.** La utilización de un cable adecuado para uso a la intemperie reduce el riesgo de descargas eléctricas.
- f) **Si es inevitable utilizar una herramienta eléctrica en un lugar húmedo, utilice una fuente de alimentación protegida por un interruptor de circuito accionado por corriente de pérdida a tierra (GFCI, por sus siglas en inglés).** El uso de un GFCI reduce el riesgo de descargas eléctricas.

### 3) Seguridad personal

- a) **Manténgase alerta, fíjese en lo que está haciendo y use el sentido común cuando utilice una herramienta eléctrica. No utilice una herramienta eléctrica mientras esté cansado o bajo la influencia de drogas, alcohol o medicamentos.** Es posible que un momento de desatención mientras se estén utilizando herramientas eléctricas cause lesiones corporales graves.

- b) **Utilice equipo de protección personal. Use siempre protección ocular.** Los equipos de protección, tales como una máscara antipolvo, zapatos de seguridad antideslizantes, casco o protección de la audición, utilizados según lo requieran las condiciones, reducirán las lesiones corporales.
- c) **Prevenga los arranques accidentales. Asegúrese de que el interruptor esté en la posición de apagado antes de conectar la herramienta a una fuente de alimentación y/o a un paquete de batería, levantar la herramienta o transportarla.** Si se transportan herramientas eléctricas con el dedo en el interruptor o si se suministra corriente a herramientas eléctricas que tengan el interruptor en la posición de encendido se invita a que se produzcan accidentes.
- d) **Retire todas las llaves de ajuste o de tuerca antes de encender la herramienta eléctrica.** Es posible que una llave de tuerca o de ajuste que se deje sujeta a una pieza rotativa de la herramienta eléctrica cause lesiones corporales.
- e) **No intente alcanzar demasiado lejos.** Mantenga un apoyo de los pies y un equilibrio adecuados en todo momento. Esto permite un mejor control de la herramienta eléctrica en situaciones inesperadas.
- f) **Vístase adecuadamente.** No se ponga ropa holgada ni joyas. Mantenga el pelo y la ropa alejados de las piezas móviles. La ropa holgada, las joyas o el pelo largo pueden quedar atrapados en las piezas móviles.
- g) **Si se proporcionan dispositivos para la conexión de instalaciones de extracción y recolección de polvo, asegúrese de que dichas instalaciones estén conectadas y se utilicen correctamente.** El uso de recolección de polvo puede reducir los peligros relacionados con el polvo.
- h) **No deje que la familiaridad obtenida con el uso frecuente de las herramientas le haga volverse complaciente e ignorar los principios de seguridad de las herramientas.** Una acción descuidada puede causar lesiones graves en una fracción de segundo.

#### 4) **Uso y cuidado de la herramienta eléctrica**

- a) **No fuerce la herramienta eléctrica. Utilice la herramienta eléctrica correcta para la aplicación que vaya a realizar.** La herramienta eléctrica correcta hará el trabajo mejor y de manera más segura a la capacidad nominal para la que fue diseñada.
- b) **No utilice la herramienta eléctrica si el interruptor no la enciende y apaga.** Cualquier herramienta eléctrica que no se pueda controlar con el interruptor es peligrosa y debe ser reparada.
- c) **Desconecte el enchufe de la fuente de alimentación y/o retire el paquete de batería de la herramienta eléctrica, si es retirable, antes de hacer cualquier ajuste, cambiar accesorios o almacenar herramientas eléctricas.** Dichas medidas preventivas de seguridad reducen el riesgo de arrancar accidentalmente la herramienta eléctrica.
- d) **Guarde las herramientas eléctricas inactivas fuera del alcance de los niños y no deje que las personas que no estén familiarizadas con la herramienta eléctrica o estas instrucciones utilicen la herramienta eléctrica.** Las herramientas eléctricas son peligrosas en las manos de los usuarios no capacitados.
- e) **Realice mantenimiento de las herramientas eléctricas y los accesorios. Compruebe si hay desalineación o atoramiento de las piezas móviles, rotura de piezas y cualquier otra situación que pueda afectar al funcionamiento de la herramienta eléctrica. Si la herramienta eléctrica está dañada, haga que la reparen antes de utilizarla.** Muchos accidentes son causados por herramientas eléctricas que reciben un mantenimiento deficiente.
- f) **Mantenga las herramientas de corte afiladas y limpias.** Las herramientas de corte mantenidas adecuadamente, con bordes de corte afilados, tienen menos probabilidades de atorarse y son más fáciles de controlar.

**g) Utilice la herramienta eléctrica, los accesorios, las brocas de la herramienta, etc., de acuerdo con estas instrucciones, teniendo en cuenta las condiciones de trabajo y el trabajo que se vaya a realizar.** El uso de la herramienta eléctrica para operaciones distintas a las previstas podría causar una situación peligrosa.

**h) Mantenga los mangos y las superficies de agarre secos, limpios y libres de aceite y grasa.** Es posible que los mangos resbalosos y las superficies de agarre resbalosas no permitan un manejo y un control seguros de la herramienta en situaciones inesperadas.

## **5) Uso y cuidado de las herramientas a batería**

**a) Recargue las baterías solo con el cargador especificado por el fabricante.** Es posible que un cargador que sea adecuado para un tipo de paquete de batería cree un riesgo de incendio cuando se utilice con otro paquete de batería.

**b) Utilice las herramientas eléctricas solo con paquetes de batería designados específicamente.** Es posible que el uso de cualquier otro paquete de batería cree un riesgo de lesiones e incendio.

**c) Cuando el paquete de batería no se esté utilizando, manténgalo alejado de otros objetos metálicos, tales como clips sujetapapeles, monedas, llaves, clavos, tornillos u otros objetos metálicos pequeños, que puedan hacer una conexión de un terminal al otro.** Si se cortocircuitan juntos los terminales de la batería, es posible que se causen quemaduras o un incendio.

**d) En condiciones abusivas es posible que se expulse líquido de la batería; evite el contacto. Si se produce contacto accidentalmente, enjuáguese con agua. Si el líquido entra en contacto con los ojos, obtenga además ayuda médica.** Es posible que el líquido expulsado de la batería cause irritación o quemaduras.

**e) No utilice un paquete de batería o una herramienta que estén dañados o modificados.** Es posible que las baterías dañadas o modificadas exhiban un comportamiento imprevisible que cause incendio, explosión o riesgo de lesiones.

**f) No exponga un paquete de batería o una herramienta a un fuego o a una temperatura excesiva.** Es posible que la exposición a un fuego o a una temperatura superior a 265 °F (130 °C) cause una explosión.

**g) Siga todas las instrucciones de carga y no cargue el paquete de batería ni la herramienta fuera del intervalo de temperatura especificado en las instrucciones.** Es posible que la realización de la carga de manera inadecuada o a temperaturas que estén fuera del intervalo especificado dañe la batería y aumente el riesgo de incendio.

## **6) Servicio de ajustes y reparaciones**

**a) Haga que su herramienta eléctrica reciba servicio de ajustes y reparaciones por un técnico de reparaciones calificado que utilice únicamente piezas de repuesto idénticas.** Esto garantizará que se mantenga la seguridad de la herramienta eléctrica.

**b) No haga nunca servicio de ajustes y reparaciones de paquetes de batería dañados.** El servicio de ajustes y reparaciones de los paquetes de batería deberá ser realizado solo por el fabricante o por proveedores de servicio autorizados.

## **Advertencias de seguridad para recortadoras de pasto**

**a) No utilice la máquina en malas condiciones climáticas, especialmente cuando haya un riesgo de rayos.** Esto reduce el riesgo de ser alcanzado por rayos.

**b) Inspeccione minuciosamente el área para comprobar si hay animales salvajes en el lugar donde se vaya a utilizar la máquina.** Es posible que los animales salvajes sean lesionados por la máquina durante su utilización.

**c) Inspeccione minuciosamente el área donde se va a utilizar la máquina y retire todas las piedras, palos, alambres, huesos y otros objetos extraños.** Los objetos lanzados al aire pueden causar lesiones corporales.

**d) Antes de utilizar la máquina, inspeccione siempre visualmente el cortador o**

**la hoja y el ensamblaje del cortador o la hoja para asegurarse de que no estén dañados.** Las piezas dañadas aumentan el riesgo de lesiones.

- e) **Siga las instrucciones para cambiar accesorios.** Si las tuercas o los pernos que sujetan la hoja están apretados incorrectamente, es posible que dañen la hoja o hagan que esta se desprenda.
- f) **Use protección ocular, de oídos, de la cabeza y de las manos.** El equipo de protección adecuado reducirá las lesiones corporales por causa de residuos lanzados al aire o contacto accidental con el hilo o la hoja de corte.
- g) **Mientras esté utilizando la máquina, use siempre calzado antideslizante y protector. No utilice la máquina cuando esté descalzo o usando sandalias abiertas.** Esto reduce la posibilidad de lesiones en los pies por causa del contacto con los cortadores o los hilos en movimiento.
- h) **Mientras esté utilizando la máquina, use siempre pantalones largos.** La piel al descubierto aumenta la posibilidad de lesiones por causa de objetos lanzados al aire.
- i) **Mantenga alejados a los curiosos mientras esté utilizando la máquina.** Los residuos lanzados al aire pueden causar lesiones corporales graves.
- j) **Use siempre las dos manos cuando utilice la máquina.** Al agarrar la máquina con ambas manos se evitará la pérdida de control.
- k) **Agarre la máquina solo por las superficies de agarre con aislamiento, porque es posible que el hilo de corte o la hoja entre en contacto con cables ocultos.** Si el hilo o las hojas de corte entran en contacto con un cable que tenga corriente, es posible que hagan que las partes metálicas de la máquina que estén al descubierto tengan corriente, lo cual podría causar una descarga eléctrica al operador.
- l) **Mantenga siempre un apoyo adecuado de los pies y utilice la máquina solo cuando esté de pie en el piso.** Es posible que las superficies resbalosas o inestables causen una pérdida de equilibrio o control de la máquina.
- m) **No utilice la máquina en pendientes excesivamente inclinadas.** Esto reduce el riesgo de pérdida de control, resbalamiento y caída, lo cual puede tener como resultado lesiones corporales.
- n) **Cuando trabaje en pendientes, esté siempre seguro del apoyo de los pies, trabaje siempre transversalmente a la cara de las pendientes, nunca hacia arriba o hacia abajo, y tenga precaución extrema cuando cambie de dirección.** Esto reduce el riesgo de pérdida de control, resbalamiento y caída, lo cual puede tener como resultado lesiones corporales.
- o) **Mantenga todas las partes del cuerpo alejadas del cortador, el hilo o la hoja cuando la máquina esté en funcionamiento. Antes de arrancar la máquina, asegúrese de que el cortador, el hilo o la hoja no esté en contacto con nada.** Es posible que un momento de desatención mientras se esté utilizando la máquina tenga como resultado lesiones a usted mismo o a otras personas.
- p) **No utilice la máquina por encima de la altura de la cintura.** Esto ayuda a prevenir un contacto accidental del cortador o la hoja y permite un mejor control de la máquina en situaciones inesperadas.
- q) **Cuando corte arbustos o retoños que estén bajo tensión, esté alerta al efecto de resorte.** Al liberarse la tensión de las fibras de madera, es posible que el arbusto o el retoño golpee al operador y/o lance la máquina fuera de control.
- r) **Tenga precaución extrema cuando corte arbustos y retoños.** Es posible que el material delgado se enganche en la hoja y sea lanzado hacia usted o que lo jale y lo desequilibre.
- s) **Mantenga el control de la máquina y no toque los cortadores, los hilos o las hojas y otras piezas móviles peligrosas mientras aún estén en movimiento.** Esto reduce el riesgo de lesiones por causa de las piezas móviles.

- t) **Transporte la máquina con el interruptor de la misma en la posición de apagado y alejada de su cuerpo.** Un manejo adecuado de la máquina reducirá la posibilidad de contacto accidental con un cortador, un hilo o una hoja en movimiento.
- u) **Utilice solo los cortadores, hilos, cabezas de corte y hojas especificados por el fabricante.** Es posible que las piezas de repuesto incorrectas aumentan el riesgo de rotura y lesiones.
- v) **Cuando despeje material atorado o haga servicio de ajustes y reparaciones de la máquina, asegúrese de que el interruptor esté en la posición de apagado y que el paquete de batería se haya retirado.** Es posible que un arranque accidental de la máquina mientras se esté despejando material atorado o haciendo servicio de ajustes y reparaciones tenga como resultado lesiones corporales graves.
- w) **Utilice la herramienta solo con los paquetes de batería y los cargadores que se indican a continuación:**

Paquete de baterías	Cargadores
BY8705-00, BY8708C-01, BY8708-00, BY8723C-00	SC5364-00, SC5376C-00

- x) **Daños a la orilladora:** Si usted golpea un objeto extraño con la orilladora o si esta se engancha, pare de inmediato la herramienta, compruebe si tiene daños y haga que todos los daños sean reparados antes de intentar cualquier utilización adicional. No utilice la orilladora con un protector o una bobina rotos.
- y) **Si el equipo comienza a vibrar anormalmente, pare el motor y realice una comprobación inmediata para determinar la causa.** Generalmente, la vibración es una advertencia de problemas. Es posible que un cabezal roto vibre, se agriete, se rompa o se desprenda de la orilladora, lo cual puede causar lesiones graves o mortales. Asegúrese de que el aditamento de corte esté fijo adecuadamente en la posición correcta. Si el cabezal se afloja después de fijarlo en la posición correcta, reemplácelo de inmediato. No utilice nunca una orilladora con un aditamento de corte flojo.


**¡GUARDE ESTAS INSTRUCCIONES!**

# SÍMBOLOS

## Símbolos de seguridad

El objetivo de los símbolos de seguridad es captar su atención ante posibles peligros. Los símbolos de seguridad y las explicaciones que se dan merecen su atención y comprensión cuidadosa. Las advertencias del símbolo no eliminan por sí mismas ningún peligro. Las instrucciones y las advertencias que se dan no son sustitutos de las medidas adecuadas de prevención de accidentes.

**⚠ ADVERTENCIA** Asegúrese de leer y de comprender todas las instrucciones de seguridad en este manual del propietario, incluidos todos los símbolos de alerta de seguridad como “**PELIGRO**”, “**ADVERTENCIA**” y “**PRECAUCIÓN**” antes de usar esta herramienta. El incumplimiento de las siguientes instrucciones puede provocar descargas eléctricas, incendios y/o lesiones personales graves.

Las definiciones que se ofrecen a continuación describen el nivel de gravedad de cada símbolo. Lea el manual y preste atención a dichos símbolos.	
	Este es el símbolo de advertencia de seguridad. Se utiliza para advertirlo de los peligros de posibles lesiones personales. Cumpla con todos los mensajes de seguridad a continuación de este símbolo para evitar posibles lesiones o consecuencias fatales.
<b>⚠ PELIGRO</b>	PELIGRO indica una situación de peligro que, de no evitarse, ocasionará la muerte o lesiones graves.
<b>⚠ ADVERTENCIA</b>	ADVERTENCIA indica una situación potencialmente peligrosa que, de no evitarse, puede ocasionar la muerte o lesiones graves.
<b>⚠ PRECAUCIÓN</b>	PRECAUCIÓN, se usa con el símbolo de advertencia de seguridad e indica una situación peligrosa que, de no evitarse, puede causar lesiones menores o moderadas.

## Mensajes de prevención de daños e información

Estos mensajes informan al usuario sobre informaciones y/o instrucciones importantes que, de no seguirse, pueden causar daños al equipo o la propiedad. Antes de cada mensaje, aparece la palabra “**AVISO**”, como en el ejemplo a continuación:





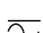



**AVISO:** Si no se siguen estas instrucciones se pueden producir daños al equipo o la propiedad.



**⚠ ADVERTENCIA** Durante el funcionamiento de cualquier herramienta eléctrica, pueden entrar objetos extraños a los ojos y causar graves daños oculares. Use siempre lentes o gafas de seguridad con protecciones laterales y, cuando sea necesario, un protector facial que cubra todo el rostro antes de comenzar a operar una herramienta eléctrica. Recomendamos usar una máscara de seguridad de visión amplia sobre los lentes o las gafas de seguridad estándar con protección lateral. Siempre use lentes de protección que cumplan con la norma ANSI Z87.1.

## SÍMBOLOS (CONTINUACIÓN)

**IMPORTANTE:** Es posible que se utilicen algunos de los siguientes símbolos en su herramienta. Por favor, estúdielos y aprenda su significado. La interpretación correcta de estos símbolos le permitirá utilizar la herramienta mejor y de manera más segura.

Símbolo	Nombre	Designación/Explicación
V	Voltios	Tensión (potencial)
A	Amperios	Corriente
Hz	Hercios	Frecuencia (ciclos por segundo)
W	Vatios	Potencia
kg	Kilogramos	Peso
min	Minutos	Tiempo
s	Segundos	Tiempo
Wh	Vatios-hora	Capacidad de la batería
Ah	Amperios-hora	Capacidad de la batería
∅	Diámetro	Tamaño de las brocas taladradoras, los discos de amolar, etc.
$\eta_0$	Velocidad máxima	Velocidad rotacional máxima
.../min	Revoluciones o reciprocaciones por minuto	Revoluciones, carreras, velocidad superficial, órbitas, etc., por minuto
O	Posición de apagado	Velocidad cero, fuerza de torsión cero...
1,2,3,... I,II,III,	Ajustes del selector	Ajustes de velocidad, fuerza de torsión o posición. Un número más alto significa mayor velocidad
0 	Selector variable infinitamente con apagado	La velocidad aumenta desde el ajuste de 0
	Flecha	Acción en el sentido de la flecha
	Corriente alterna (CA)	Tipo o característica de corriente
	Corriente continua (CC)	Tipo o característica de corriente
	Corriente alterna o continua (CA/CC)	Tipo o característica de corriente
	Construcción de Clase II	Designa herramientas construidas con aislamiento doble.
	Conexión a tierra protectora	Terminal de conexión a tierra
	Sello RBRC de ion Li	Designa un programa de reciclaje de baterías de ion Li

Símbolo	Nombre	Designación/Explicación
	Símbolo de lectura del manual	Alerta al usuario para que lea el manual
	Símbolo de uso de protección ocular	Alerta al usuario para que use protección ocular
	Utilice siempre la herramienta con las dos manos	Alerta al usuario para que utilice siempre la herramienta con las dos manos
	No utilice el protector para operaciones de corte	Alerta al usuario para que no utilice el protector para operaciones de corte
	Tenga cuidado con los objetos lanzados al aire	Alerta al usuario para que tenga cuidado con los objetos lanzados al aire
	Desconecte la batería antes de realizar mantenimiento	Alerta al usuario para que desconecte la batería antes de realizar mantenimiento
	Use protección ocular	Alerta al usuario para que use protección de oídos
	Use protección de la cabeza	Alerta al usuario para que use protección de la cabeza
	La distancia entre la máquina y las personas que estén presentes será de al menos 15 m (50 pies)	Alerta al usuario para que mantenga la distancia entre la máquina y las personas que estén presentes al menos a 15 m (50 pies)
	No utilice hojas metálicas	Alerta al usuario para que no utilice hojas metálicas



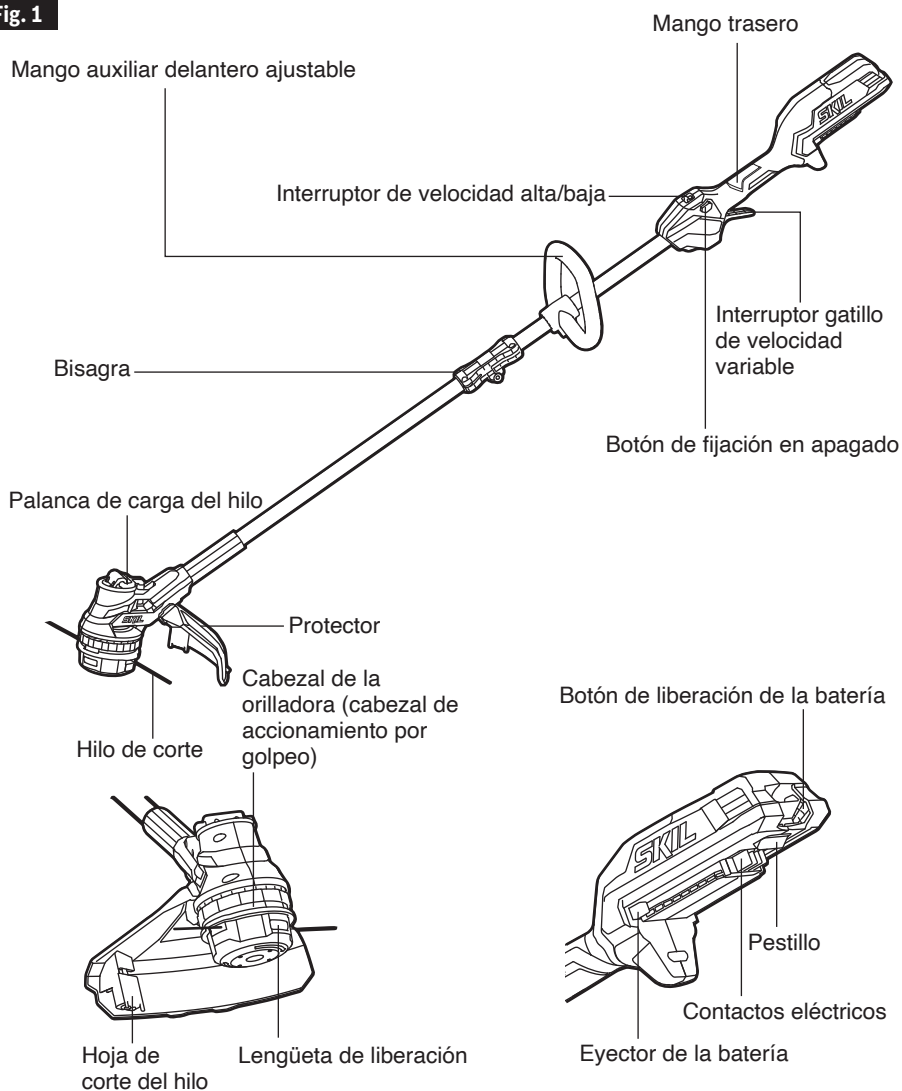
## SÍMBOLOS (INFORMACIÓN DE CERTIFICACIÓN)

**IMPORTANTE:** Puede que algunos de los siguientes símbolos aparezcan en sus herramientas. Obsérvelos y aprenda su significado. La interpretación correcta de estos símbolos le permitirá utilizar la herramienta de manera eficaz y más segura.

Símbolo	Designación/Explicación
	Este símbolo designa que esta herramienta está incluida en la lista de Underwriters Laboratories.
	Este símbolo designa que esta componente es reconocida por Underwriters Laboratories.
	Este símbolo designa que esta herramienta está incluida en la lista de Underwriters Laboratories, conforme a las normas de Estados Unidos y Canadá.
	Este símbolo designa que esta herramienta está incluida en la lista de Canadian Standards Association.
	Este símbolo designa que esta herramienta está incluida en la lista de Canadian Standards Association, conforme a las normas de Estados Unidos y Canadá.
	Este símbolo designa que esta herramienta está incluida en la lista de Intertek Testing Services, conforme a las normas de Estados Unidos y Canadá.

# FAMILIARÍCESE CON SU ORILLADORA DE HILO

Fig. 1



### **Mango trasero**

El mango ergonómico mejora la comodidad y el agarre.

### **Interruptor de velocidad alta/baja**

Cambia entre los intervalos de velocidad alta y baja para diferentes tareas, según sea necesario.

### **Interruptor gatillo de velocidad variable**

Enciende y apaga la orilladora de hilo y ajusta la velocidad del cabezal de la orilladora.

### **Botón de fijación en apagado**

Ayuda a prevenir la activación accidental o no autorizada del gatillo. Se debe oprimir hacia el lado derecho o izquierdo antes de que el gatillo se pueda activar.

### **Mango auxiliar delantero ajustable**

Para controlar fácilmente la orilladora durante el corte.

### **Bisagra**

Conecta y fija los dos ejes plegables.

### **Palanca de carga del hilo**

Rote manualmente esta palanca en sentido contrario al de las agujas del reloj para enrollar el hilo en el cabezal de la orilladora.

### **Protector**

Reduce el riesgo de lesiones por causa de objetos extraños que sean lanzados al aire hacia atrás, hacia el operador, y por causa del contacto con el aditamento de corte.

### **Cabezal de la orilladora (cabezal de accionamiento por golpeo)**

Almacena el hilo de corte y lo libera cuando el cabezal es golpeado ligeramente contra el piso durante la utilización.

### **Lengüeta de liberación**

Presione ambas lengüetas para liberar el cabezal de la orilladora hasta separarlo de la herramienta.

### **Hoja de corte del hilo**

Hoja de acero ubicada en el protector que mantiene el hilo de corte a la longitud adecuada.

### **Botón de liberación de la batería**

Libera el paquete de batería de la herramienta.

### **Pestillo**

Fija el paquete de batería a la herramienta.

### **Eyector de la batería**

Mecanismo accionado por resorte que ayuda a retirar la batería.

## ESPECIFICACIONES

Tensión nominal	40 V c.c.
Velocidad máxima $n_0$	Posición 1: 4800/min Posición 2: 5800/min
Mecanismo de corte	Cabezal de accionamiento por golpeo
Tipo de hilo de corte	Hilo trenzado de nylon de 0,080 pulgadas (2,0 mm)
Anchura de corte	15 pulgadas (38 cm)
Temperatura de trabajo recomendada	32 – 104 °F (0 – 40 °C)
Temperatura de almacenamiento recomendada	32 – 104 °F (0 – 40 °C)

## ACCESORIOS RECOMENDADOS

NOMBRE DE LA PIEZA	TIPO	NÚMERO DE MODELO
Hilo de corte	Hilo trenzado de nylon de 0,080 pulgadas/ 2,0 mm	STL2020

## ENSAMBLAJE

**⚠ ADVERTENCIA** Para prevenir arranques accidentales que podrían causar lesiones corporales graves, retire siempre el paquete de batería de la herramienta cuando ensamble piezas, haga ajustes o realice limpieza, o cuando la herramienta no se esté utilizando.

**⚠ ADVERTENCIA** Si cualquiera de las piezas está dañada o falta, no utilice este producto hasta que las piezas hayan sido remplazadas. La utilización de este producto con piezas dañadas o si le faltan piezas podría causar lesiones corporales graves.

**⚠ ADVERTENCIA** No intente modificar esta herramienta ni crear accesorios no recomendados para utilizarse con esta herramienta. Cualquiera de dichas alteraciones o modificaciones constituye un uso incorrecto y podría provocar una situación peligrosa que cause posibles lesiones corporales graves.

## Desempaquetado

- Este producto requiere ensamblaje.
- Saque cuidadosamente el producto y todos los accesorios de la caja. Asegúrese de que todos los artículos indicados en la caja estén incluidos.
- Inspeccione minuciosamente la herramienta para asegurarse de que no se hayan producido roturas o daños durante el envío.
- No deseche el material de empaquetamiento hasta que haya inspeccionado minuciosamente y utilizado satisfactoriamente la herramienta.
- Si alguna pieza está dañada o falta, sírvase devolver el producto al lugar de compra.

## Despliegue del eje

**⚠ ADVERTENCIA** Para evitar pellizcarse las manos o los dedos, no agarre el eje en las juntas.

**⚠ ADVERTENCIA** No intente arrancar la orilladora hasta que el eje haya sido bloqueado.

1. Retire el paquete de batería de la orilladora.
2. Ponga la orilladora en el piso y despliegue cuidadosamente el eje. Asegúrese de que el cable esté dentro del eje, para que no resulte aplastado al cerrar las juntas (Fig. 2).
3. Utilice un destornillador de cabeza Philips (no incluido) para fijar el eje con los dos pernos (incluidos) (Fig. 3).

Fig. 2

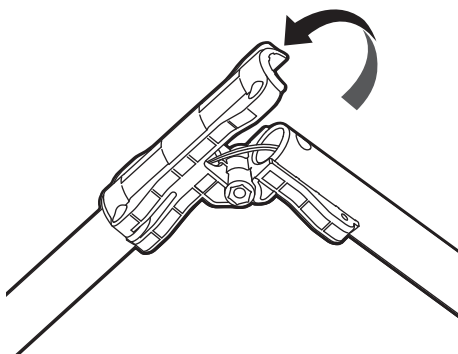
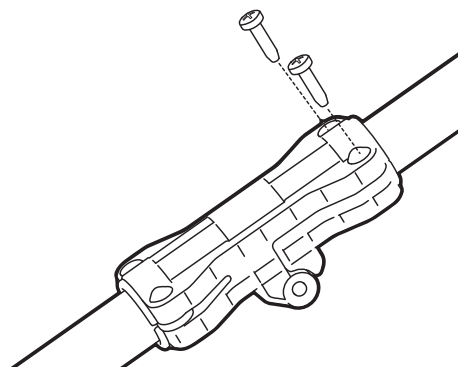


Fig. 3



## Montaje del protector

**⚠ ADVERTENCIA** Use siempre guantes cuando monte o reemplace el protector.

Tenga cuidado con la hoja de corte del hilo ubicada en el protector y use guantes para protegerse las manos con el fin de que no sean lesionadas por la hoja.

1. Retire el paquete de batería de la orilladora.
2. Acueste la orilladora en el terreno o en el piso con el cabezal de la orilladora orientado hacia arriba.
3. Alinee los dos pernos (incluidos) con los dos agujeros para tornillo ubicados en el eje (Fig. 4) y luego apriételos utilizando un destornillador de cabeza Philips (no incluido), de la manera que se muestra en la Fig. 5.

Fig. 4

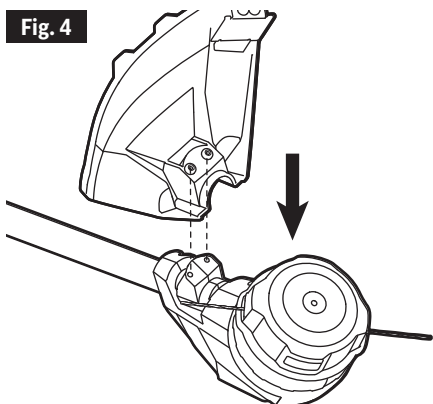
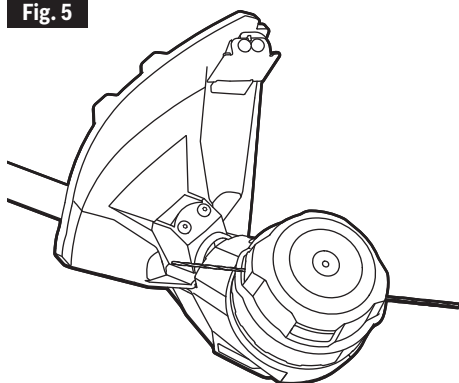


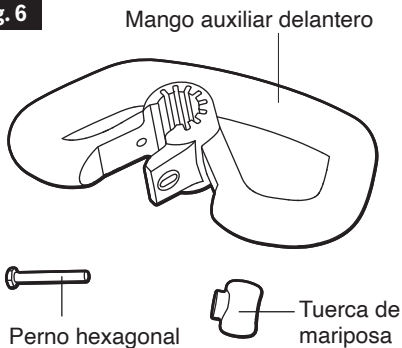
Fig. 5



## Montaje y ajuste del mango auxiliar delantero

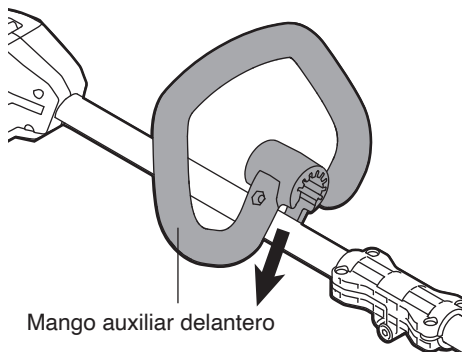
1. Retire el paquete de batería de la orilladora.
2. Afloje la tuerca de mariposa y retírela junto con el perno hexagonal del mango auxiliar delantero (Fig. 6).

Fig. 6

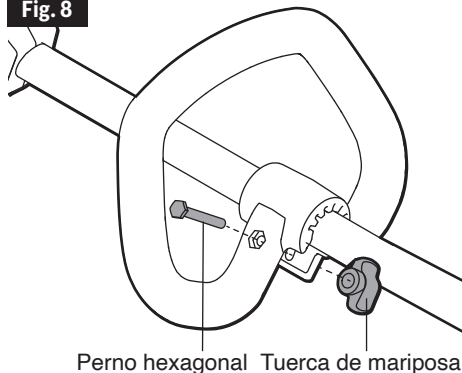


- Presione el mango auxiliar delantero sobre el eje. Asegúrese de que el mango auxiliar delantero esté posicionado hacia arriba y que apunte hacia el mango trasero (Fig. 7).
- Monte el perno hexagonal y la tuerca de mariposa y preapriete la tuerca de mariposa (Fig. 8).
- Ajuste la posición del mango auxiliar delantero de manera que esté dentro de la zona de montaje, de la manera que se muestra en la Fig. 9. El mango se deberá posicionar de manera que el brazo que esté agarrando el mango esté recto cuando se utilice la orilladora.

**Fig. 7**



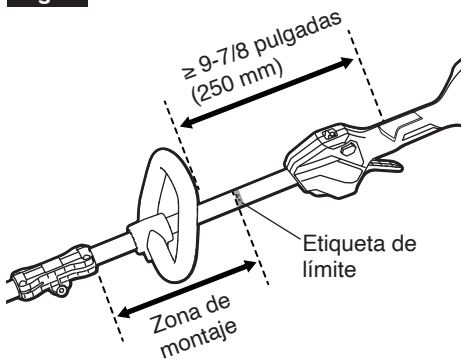
**Fig. 8**



**⚠ ADVERTENCIA** El mango auxiliar delantero se deberá posicionar dentro de la zona de montaje, sin exceder la etiqueta de límite, de manera que la distancia entre el centro de los mangos sea de al menos 9-7/8 pulgadas (250 mm) para poder realizar una utilización segura.

- Apriete la tuerca de mariposa para impedir que el mango se mueva a lo largo del eje.

**Fig. 9**



# INSTRUCCIONES DE UTILIZACIÓN

**⚠ ADVERTENCIA** Para reducir el riesgo de incendio, lesiones corporales y daños al producto debido a un cortocircuito, no sumerja nunca su herramienta, el paquete de batería o el cargador en un líquido ni deje que un líquido fluya dentro de ellos. Los líquidos corrosivos o conductores, tales como agua de mar, ciertas sustancias químicas industriales y el blanqueador o los productos que contienen blanqueador, etc., pueden causar un cortocircuito.

**⚠ ADVERTENCIA** No utilice aditamentos o accesorios no recomendados por el fabricante de este producto. El uso de aditamentos o accesorios no recomendados puede causar lesiones corporales graves.

**⚠ ADVERTENCIA** No intente modificar esta herramienta o el paquete de batería, ni crear accesorios no recomendados para utilizarse con esta herramienta. Cualquiera de dichas alteraciones o modificaciones constituye un uso incorrecto y podría provocar una situación peligrosa que cause posibles lesiones graves.

**⚠ ADVERTENCIA** Para prevenir arranques accidentales que podrían causar lesiones corporales graves, retire siempre el paquete de batería de la herramienta cuando ensamble piezas, haga ajustes o realice limpieza, o cuando la herramienta no se esté utilizando.

**⚠ ADVERTENCIA** No deje que la familiaridad con este producto le haga volverse descuidado. Recuerde que un descuido de una fracción de segundo es suficiente para causar lesiones graves.

**⚠ ADVERTENCIA** Use siempre protección ocular con escudos laterales marcados para cumplir con la norma ANSI Z87.1, junto con protección de la audición. Si no se hace así, el resultado podría ser que se lancen objetos hacia los ojos del operador y se causen otras lesiones posiblemente graves.

## Aplicación

Usted puede utilizar este producto para los fines que se indican a continuación:

**Orillado:** utilice el producto para retirar pasto y maleza a lo largo de paredes, cercas, árboles y orillas.

**Corte:** utilice el producto para cortar pasto que sea difícil de alcanzar utilizando una cortadora de césped normal.

---

## Para instalar/desinstalar el paquete de batería

**⚠ ADVERTENCIA** Las herramientas a batería están siempre en condiciones de funcionamiento. Por lo tanto, retire la batería cuando ensamble piezas, haga ajustes o realice limpieza, cuando la herramienta no se esté utilizando o cuando usted la transporte a su lado. La Al retirar el paquete de batería se prevendrán los arranques accidentales que podrían causar lesiones corporales graves.

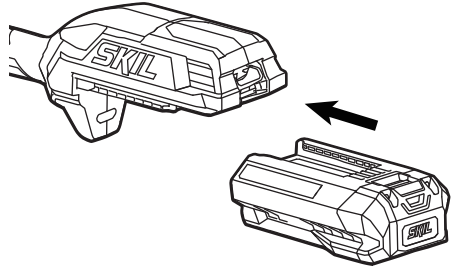


**Para instalar el paquete de batería (Fig. 10):**

**Fig. 10**

1. Alinee las costillas del paquete de batería con las ranuras de montaje ubicadas en la orilladora de hilo.
2. Deslice el paquete de batería hasta que se acople a presión en la posición correcta.

**AVISO:** Asegúrese de que el pestillo ubicado en la orilladora de hilo se acople a presión en la posición correcta y que el paquete de batería esté firmemente sujeto a la herramienta antes de comenzar la operación.



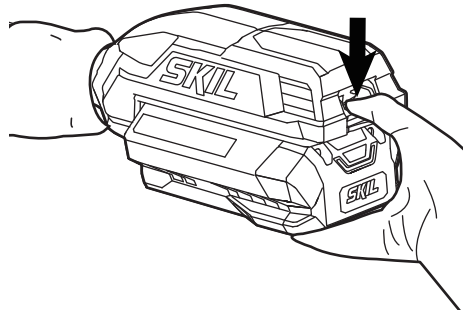
**Para desinstalar el paquete de batería (Fig. 11):**

**Fig. 11**

**⚠ ADVERTENCIA** Esté siempre atento a la ubicación de sus pies y los niños o los animales domésticos alrededor de usted cuando presione el botón de liberación de la batería. No retire NUNCA el paquete de batería en una posición elevada. El resultado podría ser lesiones graves si el paquete de batería se cae.

1. Sostenga el paquete de batería en la palma de la mano.
2. Presione el botón de liberación de la batería con el dedo pulgar; el paquete de batería se desacoplará del pestillo.
3. Agarre el paquete de batería y retírelo de la orilladora de hilo.

Presionar para liberar



## Para agarrar la orilladora de hilo

Fig. 12

**⚠ ADVERTENCIA** Vístase adecuadamente para reducir el riesgo de lesiones cuando utilice esta herramienta. No use ropa holgada ni joyas. Use protección ocular y de oídos/audición. Use pantalones largos gruesos, botas y guantes. No use pantalones cortos ni sandalias, ni vaya descalzo.

Antes de utilizar la unidad, colóquese de pie en la posición de utilización y verifique que:

- El operador esté usando protección ocular y ropa adecuada.
- Un brazo esté ligeramente doblado y la mano de ese brazo esté agarrando el mango trasero.
- El otro brazo esté recto y que esa mano esté agarrando el mango auxiliar delantero.
- El cabezal de la orilladora esté paralelo al piso y entre en contacto fácilmente con el material que se va a cortar sin que el operador tenga que inclinarse hacia delante (Fig. 12).

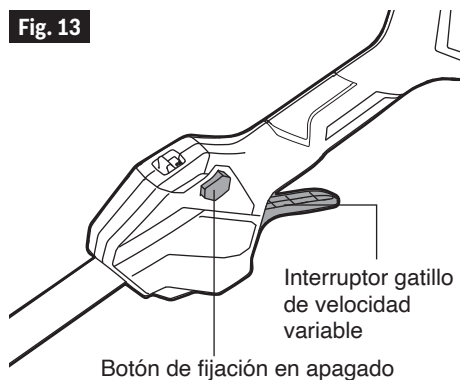


## Para arrancar/detener la orilladora de hilo

Fig. 13

Antes de arrancar la orilladora de hilo:

- Asegúrese de tener un apoyo de los pies firme y equilibrado.
- Póngase derecho y agarre la orilladora de hilo en una posición relajada.
- Asegúrese de que el hilo de corte no esté tocando el terreno ni ningún otro objeto.
- Agarre la orilladora de hilo con las dos manos: una mano en el mango trasero y la otra mano en el mango auxiliar delantero.



### Para arrancar la orilladora de hilo (Fig. 13)

1. Presione hacia abajo el botón de fijación en apagado hacia el lado derecho/izquierdo y manténgalo en esa posición. Presione el interruptor gatillo para encender la orilladora de hilo. Suelte el botón de fijación en apagado y siga apretando el interruptor gatillo para que la herramienta funcione de manera continua.
2. La velocidad rotacional del cabezal de la orilladora se controla con el interruptor gatillo de velocidad variable. Más presión sobre el gatillo produce una velocidad más alta; menos presión sobre el gatillo produce una velocidad más baja. Ajuste la velocidad para adaptarse a la tarea que se esté realizando.

**NOTA:** El motor arranca solo cuando se presionan tanto el botón de fijación en apagado como el interruptor gatillo.

### Para detener la orilladora de hilo

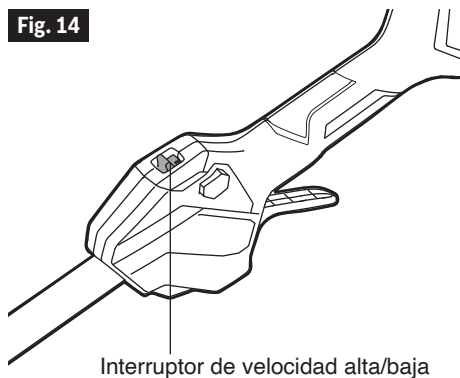
Suelte el interruptor gatillo.

**⚠ ADVERTENCIA** Retire siempre el paquete de batería de la orilladora de hilo durante las pausas de descanso del trabajo y después de acabar el trabajo.

## Cambio del intervalo de velocidad (Fig. 14)

La orilladora de hilo tiene dos intervalos de velocidad. Presione el interruptor de velocidad alta/baja para cambiar la velocidad de corte entre baja (posición 1) y alta (posición 2).

El intervalo de velocidad baja proporciona un mejor control de la orilladora y un tiempo de funcionamiento más prolongado por carga.



## Utilización de la orilladora de hilo

**⚠ ADVERTENCIA** Para evitar lesiones corporales graves, use anteojos o gafas de seguridad en todo momento cuando utilice esta unidad. Use una careta o una máscara antipolvo en lugares donde se generen grandes cantidades de polvo.

**⚠ ADVERTENCIA** Para prevenir lesiones corporales graves, retire el paquete de batería de la herramienta antes de hacer servicio de ajustes y reparaciones, realizar limpieza, cambiar aditamentos o retirar material de la unidad. Despeje el área que se vaya a cortar antes de cada uso. Retire todos los objetos, tales como rocas, vidrio roto, clavos, alambres o hilos, que puedan ser lanzados al aire o engancharse en el aditamento de corte.

**Despeje el área de niños, curiosos y animales domésticos. Mantenga a todos los niños, curiosos y animales domésticos al menos a 50 pies (15 m) de distancia.** Es posible que aún haya riesgo para las personas que estén presentes por causa de objetos lanzados al aire; se deberá instar a las personas que estén presentes a que usen protección ocular. Si alguien se acerca a usted, detenga de inmediato el motor.

### Compruebe si hay piezas dañadas/desgastadas antes de cada uso

Compruebe el cabezal de la orilladora, el protector y el mango auxiliar delantero, y reemplace toda pieza que esté agrietada, arqueada, doblada o dañada de alguna manera.

La hoja de corte del hilo ubicada en el borde del protector se puede desafilar con el tiempo. Se recomienda afilarla periódicamente con una lima o reemplazarla por una hoja nueva.

**⚠ ADVERTENCIA** Use siempre guantes cuando monte o reemplace el protector, o cuando afile o reemplace la hoja de corte del hilo. Fíjese en la ubicación de la hoja en el protector y protéjase la mano contra las lesiones.

### Limpie la orilladora después de cada uso

Consulte la sección Mantenimiento para obtener obstrucciones de limpieza.

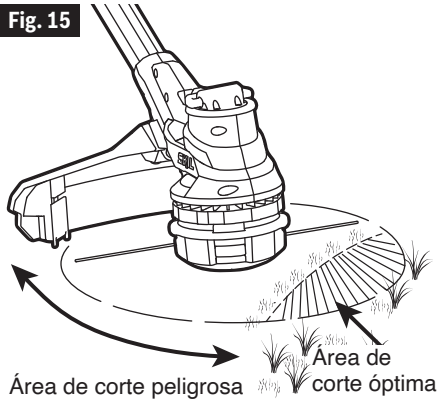
**⚠ ADVERTENCIA** No use agua para limpiar la orilladora. Evite utilizar solventes cuando limpie piezas de plástico. La mayoría de los plásticos son susceptibles de sufrir daños causados por diversos tipos de solventes comerciales. Use paños limpios para eliminar la suciedad, el polvo, el aceite, la grasa, etc.

### Compruebe si hay bloqueo del cabezal de la orilladora

Para prevenir el bloqueo, mantenga limpio el cabezal de la orilladora. Retire el pasto cortado, las hojas, la suciedad y cualquier otro residuo acumulado antes y después de cada uso.

Cuando se produzca un bloqueo, pare la orilladora de hilo, retire la batería y luego retire todo pasto que se pueda haber enrollado alrededor del eje del motor o del cabezal de la orilladora.

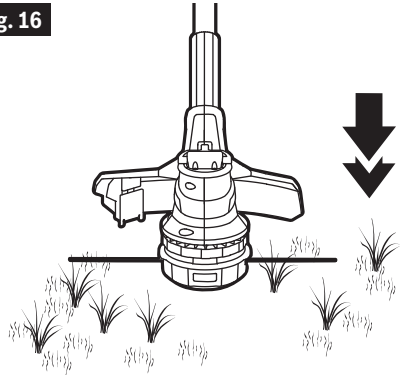
Fig. 15



## Consejos para obtener los mejores resultados de orillado (Fig. 15)

- El ángulo correcto para el aditamento de corte es paralelo al terreno.
- No fuerce la orilladora. Deje que el extremo de la punta del hilo haga el corte (especialmente a lo largo de las paredes). Si se corta con más parte que la punta del hilo se reducirá la eficiencia de corte y es posible que se sobrecargue el motor.
- La altura de corte se determina por la distancia del hilo de corte respecto a la superficie del césped.
- El pasto se deberá cortar trabajando progresivamente desde la parte de arriba hacia la parte de abajo en pequeños incrementos para evitar un desgaste prematuro del hilo o arrastre del motor.
- Mueva lentamente la orilladora hacia dentro y hacia fuera del área que se esté cortando, manteniendo la posición del cabezal de corte a la altura de corte deseada. Este movimiento puede ser un movimiento hacia delante y hacia detrás o un movimiento de un lado a otro. El corte de longitudes más cortas produce los mejores resultados.
- Orille solo cuando el pasto y la maleza estén secos.
- Las cercas de alambre y de estacas puntiagudas causan desgaste adicional o rotura del hilo de corte. Es posible que las paredes de piedra y de ladrillo, las orillas de acera y la madera desgasten rápidamente los hilos.
- Evite los árboles y los setos. La corteza de árbol, las molduras de madera, los paneles laterales y los postes de cercas pueden ser dañados fácilmente por los hilos.

Fig. 16



## Para ajustar la longitud del hilo de corte

El cabezal de la orilladora permite al operador liberar más hilo de corte sin detener el motor. A medida que el hilo se deshilacha o se desgasta, se puede liberar hilo adicional golpeando ligeramente el cabezal de la orilladora contra el terreno mientras se utiliza la orilladora (Fig. 16).

**⚠ ADVERTENCIA** No retire ni altere el ensamblaje de la hoja de corte del hilo. Una longitud de hilo excesiva hará que el motor se sobrecaliente y es posible que cause lesiones corporales graves.

Para obtener los mejores resultados, golpee suavemente el cabezal de la orilladora contra terreno pelado o tierra dura. Si la liberación del hilo se intenta en pasto alto, es posible que el motor se sobrecaliente. Mantenga siempre el hilo orillador completamente extendido. La liberación del hilo se vuelve más difícil a medida que el hilo de corte se vuelve más corto.

## Recarga del hilo de corte

**AVISO:** Utilice siempre el hilo de corte de nylon recomendado con un diámetro que no exceda 0,080 pulgadas (2,0 mm). Es posible que el uso de un hilo que no sea el especificado haga que la orilladora de hilo se sobrecaliente o resulte dañada.

**⚠ ADVERTENCIA** No utilice nunca hilo, alambre o cuerda, etc., que estén reforzados con metal. Estos elementos pueden romperse y convertirse en proyectiles peligrosos.

**⚠ ADVERTENCIA** Para prevenir lesiones corporales graves, retire el paquete de batería de la herramienta antes de hacer servicio de ajustes y reparaciones, realizar limpieza, cambiar aditamentos o retirar material de la unidad.

1. Retire el paquete de batería de la orilladora.
2. Corte un pedazo de hilo de corte de 16 pies (5 m) de longitud. Inserte el hilo en el ojal. Empuje el hilo hasta que su extremo salga por el otro lado del cabezal de la orilladora. Jale el hilo desde el otro lado hasta que aparezcan cantidades iguales del mismo a ambos lados (Fig. 17).
3. Despliegue completamente la palanca de carga del hilo para sacarla de la posición de almacenamiento (Fig. 18a).
4. Rote manualmente la palanca de carga del hilo en sentido contrario al de las agujas del reloj para enrollar el hilo de corte dentro del cabezal de la orilladora hasta que se vean aproximadamente 5,1 pulgadas (13 cm) de hilo a cada lado (Fig. 18b).
5. Pliegue la palanca de carga del hilo en la posición de almacenamiento.
6. Empuje hacia abajo el cabezal de la orilladora mientras jala los extremos del hilo para hacer avanzar manualmente el hilo y para comprobar la instalación correcta del hilo de corte.

Fig. 17

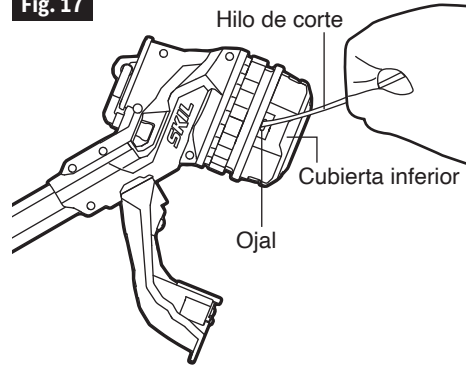


Fig. 18a

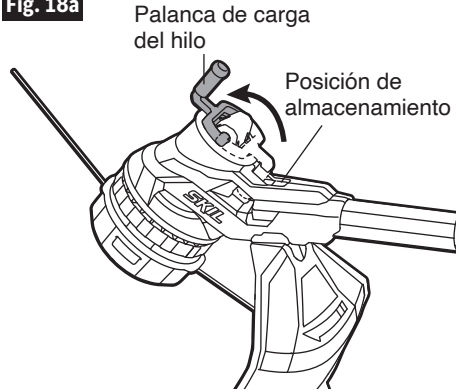
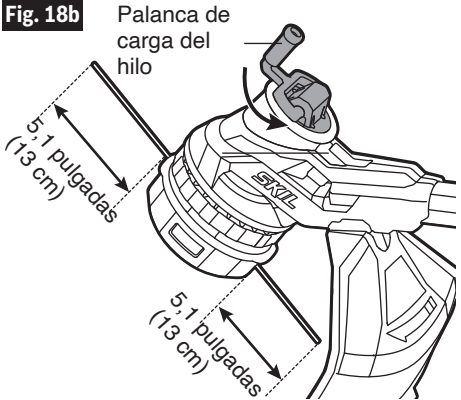


Fig. 18b

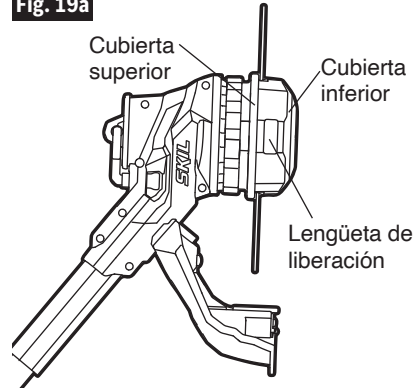


## Reemplazo del hilo de corte

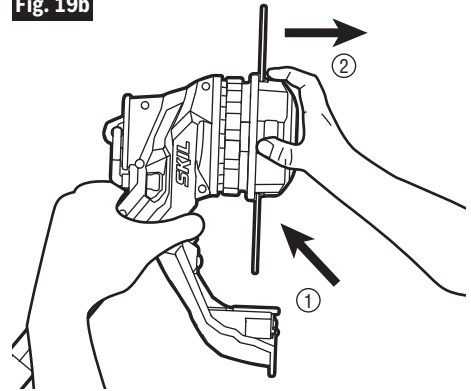
**NOTA:** Cuando el hilo de corte se rompe y se separe del ojal para el hilo, o cuando dicho hilo no se libere al golpear suavemente el cabezal de la orilladora, será necesario retirar el hilo de corte restante del retenedor de la bobina y seguir los pasos que se indican a continuación para recargar el hilo.

1. Retire el paquete de batería de la orilladora.
2. Presione las lengüetas de liberación ubicadas en la cubierta superior y retire la cubierta inferior del cabezal de la orilladora jalándola directamente hacia fuera (Fig. 19a y 19b).
3. Jale hacia fuera todo el hilo de corte restante.
4. Con una mano agarrando la orilladora, use la otra mano para agarrar el ensamblaje de la cubierta inferior y alinee las ranuras ubicadas en la cubierta inferior con las lengüetas de liberación. Presione el ensamblaje de la cubierta inferior hasta que se acople a presión en la posición correcta, en cuyo momento oírá un sonido de clic inconfundible (Fig. 20).
5. Siga las instrucciones de la sección **“RECARGA DEL HILO DE CORTE”** para recargar el hilo de corte.

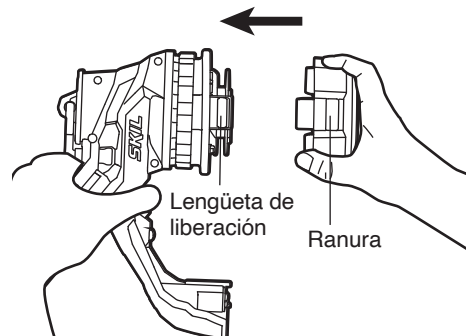
**Fig. 19a**



**Fig. 19b**



**Fig. 20**



## MANTENIMIENTO

**⚠ ADVERTENCIA** Cuando haga servicio de ajustes y reparaciones, utilice solo piezas de repuesto idénticas. El uso de cualquier otra pieza podría crear un peligro o causar daños al producto.

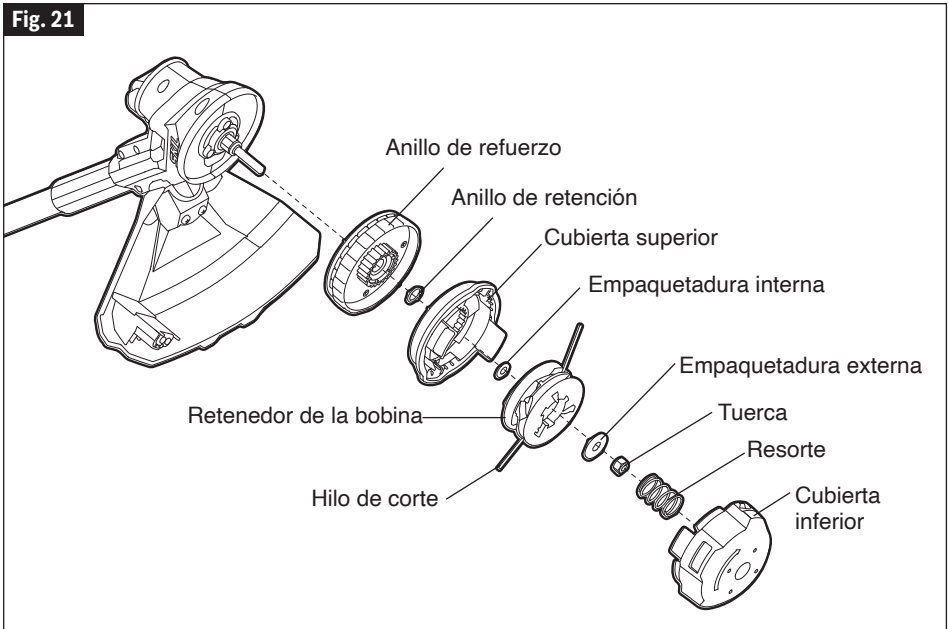
Inspeccione periódicamente todo el producto para determinar si hay piezas dañadas, si faltan piezas o si hay piezas flojas, tales como tornillos, tuercas, pernos, tapas, etc. Apriete firmemente todos los sujetadores y todas las tapas, y no utilice este producto hasta que todas las piezas que falten o que estén dañadas hayan sido reemplazadas. Sírvese contactar a servicio al cliente o a un centro de servicio autorizado para obtener asistencia.

**⚠ ADVERTENCIA** Las herramientas a batería no tienen que estar enchufadas en un tomacorriente; por lo tanto, siempre están en condiciones de funcionamiento. Para prevenir lesiones corporales graves, tome precauciones adicionales y tenga cuidado adicional cuando realice mantenimiento o servicio de ajustes y reparaciones, o cuando cambie el aditamento de corte u otros aditamentos.

**⚠ ADVERTENCIA** Para prevenir lesiones corporales graves, retire siempre el paquete de batería de la herramienta antes de hacer servicio de ajustes y reparaciones, realizar limpieza o retirar material de la unidad.

### Reemplazo del cabezal de la orilladora

**⚠ PELIGRO** Si el cabezal se afloja después de estar fijo en su posición, reemplácelo de inmediato. No utilice nunca una orilladora con un aditamento de corte flojo. Reemplace inmediatamente un cabezal de corte agrietado, dañado o desgastado, incluso si el daño está limitado a grietas superficiales. Es posible que dichos aditamentos se rompan en pedazos a alta velocidad y causen lesiones graves.



## Para retirar el cabezal de la orilladora

1. Retire el paquete de batería de la orilladora.
2. Presione las lengüetas de liberación ubicadas en el cabezal de la orilladora y retire la cubierta inferior del cabezal de la orilladora jalándola directamente hacia fuera (Fig. 22).
3. Retire el hilo de corte del cabezal de la orilladora.
4. Saque el resorte de la cubierta inferior, si es necesario. Guárdelo en un lugar seguro para el reensamblaje.
5. Use guantes. Use una mano para agarrar el ensamblaje de la bobina con el fin de estabilizarlo y use la otra mano para agarrar una llave de tubo (no incluida) con el fin de aflojar la tuerca en sentido contrario al de las agujas del reloj (Fig. 23).
6. Retire la tuerca, la empaquetadura externa, el retenedor de la bobina, la empaquetadura interna y la cubierta inferior del motor.
7. Utilice unos alicates para anillos de retención (no incluidos) para retirar el anillo de retención y luego retire el anillo de refuerzo del eje del motor (Fig. 24).
8. Reemplace el cabezal de la orilladora por uno nuevo y móntelo siguiendo los pasos que se indican a continuación.

Fig. 22

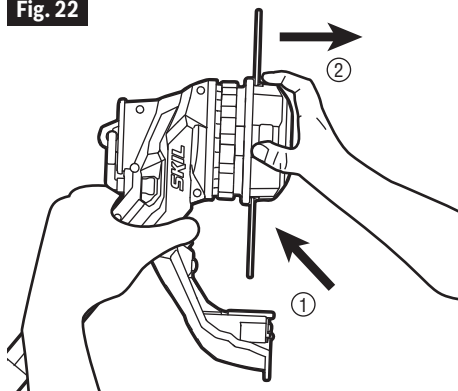
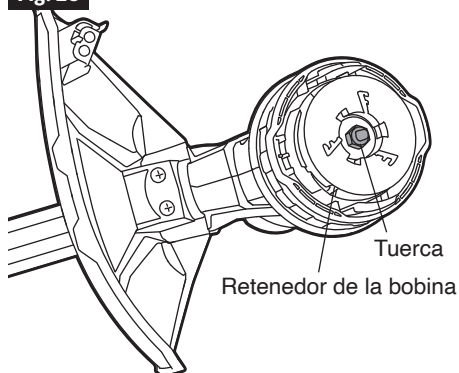


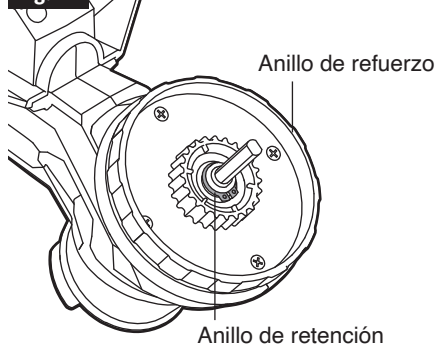
Fig. 23



## Para instalar el cabezal de la orilladora nuevo

1. Alinee la ranura de bocallave ubicada en el ensamblaje del anillo de refuerzo con la acanaladura ubicada en el eje del motor y monte el ensamblaje de anillo de refuerzo en la posición correcta.
2. Utilice unos alicates para anillos de retención circlips (no incluidos) para montar el anillo de retención.
3. Monte la cubierta superior, la empaquetadura interna, el retenedor de la bobina, la empaquetadura externa y la tuerca. Utilice una llave de impacto (no incluida) para apretar la tuerca.
4. Con una mano agarrando la orilladora, use la otra mano para agarrar el ensamblaje de la cubierta inferior y alinee las ranuras ubicadas en el ensamblaje de la cubierta inferior con las lengüetas de liberación. Presione el ensamblaje de la cubierta inferior hasta que se acople a presión en la posición correcta, en cuyo momento oírá un sonido de clic inconfundible (Fig. 20).
5. Siga la sección “**RECARGA DE LA LÍNEA DE CORTE**” de este manual para recargar el hilo de corte.

Fig. 24





6. Arranque la herramienta para comprobar si la orilladora de hilo funciona normalmente. Si no funciona normalmente, reensámblela tal y como se ha descrito anteriormente.

## Limpieza de la orilladora

- Retire la batería.
- Retire todo el pasto que se pueda haber enrollado alrededor del eje del motor o del cabezal de la orilladora.
- Utilice un cepillo pequeño o una aspiradora pequeña para limpiar las aberturas de ventilación.
- Mantenga las aberturas de ventilación libres de obstrucciones.
- Limpie la unidad utilizando un paño húmedo con un detergente suave.
- No utilice detergentes fuertes en la carcasa del plástico ni en el mango. Tanto la carcasa como el mango pueden resultar dañados por ciertos aceites aromáticos, tales como los de pino y limón, y por solventes tales como el queroseno. La humedad también puede causar un peligro de descargas eléctricas. Si hay humedad, elimínela con un paño suave y seco.

## Afilado de la hoja de corte del hilo

**⚠ ADVERTENCIA** Protéjase siempre las manos usando guantes gruesos cuando realice cualquier mantenimiento en la hoja de corte del hilo.

1. Retire el paquete de batería de la orilladora.
2. Use protección ocular adecuada y guantes adecuados, y tenga cuidado de no cortarse.
3. Retire del protector la hoja de corte del hilo.
4. Fije la hoja en una prensa de tornillo.
5. Lime cuidadosamente los bordes de corte de la hoja con una lima de dientes finos o una piedra de afilar, teniendo cuidado de mantener el ángulo original del borde de corte.
6. Reinstale la hoja en el protector y fijela en la posición correcta con los dos tornillos.

## Almacenamiento de la orilladora

- Retire el paquete de batería de la orilladora.
- Limpie minuciosamente la herramienta antes de almacenarla.
- Almacene la unidad en un área seca y bien ventilada, cerrada con llave o en alto, fuera del alcance de los niños. No almacene la unidad sobre ni adyacente a fertilizantes, gasolina u otras sustancias químicas.
- Mantenga la unidad alejada de los agentes corrosivos, tales como productos químicos de jardín y sales anticongelantes.

## Servicio de ajustes y reparaciones

Recomendamos que todo el servicio de ajustes y reparaciones de la herramienta sea realizado por un Centro de Servicio de Fábrica SKIL o una Estación de Servicio SKIL Autorizada.

## RESOLUCIÓN DE PROBLEMAS

Problema	Causa	Remedio
<p>La orilladora de hilo no arranca.</p>	<ul style="list-style-type: none"> <li>• El paquete de batería no está instalado correctamente en la orilladora.</li> <li>• No hay contacto eléctrico entre la orilladora y el paquete de batería.</li> <li>• La carga del paquete de batería está agotada.</li> <li>• El botón de fijación en apagado y el interruptor gatillo no se presionan simultáneamente.</li> </ul>	<ul style="list-style-type: none"> <li>• Instale correctamente el paquete de batería en la orilladora.</li> <li>• Retire el paquete de batería, compruebe los contactos y reinstale el paquete de batería.</li> <li>• Cargue el paquete de batería.</li> <li>• Presione hacia abajo sobre el botón de fijación en apagado y manténgalo presionado, y luego presione el interruptor gatillo para encender la orilladora de hilo.</li> </ul>
<p>La orilladora de hilo se detiene mientras está cortando.</p>	<ul style="list-style-type: none"> <li>• El protector no está montado en la orilladora, lo cual causa un hilo de corte excesivamente largo y sobrecarga del motor.</li> <li>• Se está utilizando un hilo de corte incorrecto.</li> <li>• El eje del motor o el cabezal de la orilladora están atorados con pasto.</li> <li>• El motor está sobrecargado.</li> <li>• El paquete de batería o la orilladora de hilo están demasiado calientes.</li> <li>• El paquete de batería está desconectado de la herramienta.</li> <li>• La carga del paquete de batería está agotada.</li> </ul>	<ul style="list-style-type: none"> <li>• Retire el paquete de batería y monte el protector en la orilladora.</li> <li>• Utilice el hilo de corte de nylon recomendado con un diámetro no mayor de 0,080 pulgadas (2,0 mm)</li> <li>• Detenga la orilladora, retire la batería y elimine el pasto del eje del motor y del cabezal de la orilladora.</li> <li>• Retire del pasto el cabezal de la orilladora. El motor volverá a funcionar cuando se haya eliminado la carga de trabajo. Cuando corte, mueva el cabezal de la orilladora hacia dentro y hacia fuera del pasto que se vaya a cortar y no retire demasiado pasto en un solo corte.</li> <li>• Deje que el paquete de batería o la orilladora de hilo se enfríen.</li> <li>• Reinstale el paquete de batería.</li> <li>• Cargue el paquete de batería.</li> </ul>

Problema	Causa	Remedio
El cabezal de la orilladora no hace avanzar el hilo.	<ul style="list-style-type: none"> <li>• El eje del motor o el cabezal de la orilladora están atorados con pasto.</li> <li>• No hay suficiente hilo en el cabezal de la orilladora o el hilo se rompe y se separa del ojal.</li> <li>• El hilo está enredado en el cabezal de la orilladora.</li> <li>• El hilo que se ve a cada lado del cabezal de la orilladora es demasiado corto.</li> </ul>	<ul style="list-style-type: none"> <li>• Detenga la orilladora, retire la batería y limpie el eje del motor y el cabezal de la orilladora.</li> <li>• Retire la batería y reemplace el hilo de corte siguiendo la sección <b>“REEMPLAZO DEL HILO”</b> de este manual.</li> <li>• Retire la batería; retire el hilo del cabezal de la orilladora y rebobínelo siguiendo la sección <b>“RECARGA DEL HILO DE CORTE”</b> de este manual.</li> <li>• Empuje hacia abajo el cabezal de la orilladora mientras jala los extremos del hilo para hacer avanzar manualmente el hilo y para comprobar la instalación correcta del hilo de corte. Recargue el hilo de corte si es necesario.</li> </ul>
El pasto se enrolla alrededor del cabezal de la orilladora y de la carcasa del motor.	<ul style="list-style-type: none"> <li>• Se está cortando pasto alto al nivel del terreno.</li> </ul>	<ul style="list-style-type: none"> <li>• Corte el pasto alto de arriba abajo, no corte pedazos de pasto largos en cada pasada, para evitar que el pasto se enrolle.</li> </ul>
La hoja no está cortando el hilo.	<ul style="list-style-type: none"> <li>• La hoja de corte del hilo ubicada en el borde del protector se ha desafilado.</li> </ul>	<ul style="list-style-type: none"> <li>• Afile la hoja de corte del hilo con una lima o reemplácela por una hoja nueva.</li> </ul>
Hay grietas en el cabezal de la orilladora o el ensamblaje de la bobina se afloja.	<ul style="list-style-type: none"> <li>• El cabezal de la orilladora está desgastado.</li> <li>• La tuerca que fija el cabezal de la orilladora está floja.</li> </ul>	<ul style="list-style-type: none"> <li>• Reemplace de inmediato el cabezal de la orilladora siguiendo la sección <b>“REEMPLAZO DEL CABEZAL DE LA ORILLADORA”</b> de este manual.</li> <li>• Abra el cabezal de la orilladora y utilice una llave de impacto para apretar la tuerca.</li> </ul>

# GARANTÍA LIMITADA DE SKIL CONSUMER TOOL

## 5 AÑO DE GARANTÍA LIMITADA

Chervon North America, Inc. ("Vendedor") garantiza únicamente al comprador original que ninguna HERRAMIENTA SKIL del consumidor presentará defectos en los materiales ni la mano de obra durante un período de cinco años a partir de la fecha de compra si el comprador original registra el producto dentro de los 30 días de realizada la compra. Las BATERÍAS y los CARGADORES tienen una garantía de 2 años. El registro del producto se puede completar en línea en [www.Registermyskil.com](http://www.Registermyskil.com). Los compradores originales también deben conservar el recibo como comprobante de compra. EL PERÍODO DE GARANTÍA DE CINCO AÑOS PARA HERRAMIENTAS ESTÁ CONDICIONADA POR EL REGISTRO DEL PRODUCTO DENTRO DE LOS 30 DÍAS DE REALIZADA LA COMPRA. Si los compradores originales no registran el producto de manera oportuna, se aplicará la garantía limitada anterior durante tres años para las herramientas eléctricas. Todas las baterías y los cargadores permanecerán bajo la garantía limitada de dos años.

No obstante lo señalado anteriormente, si se usa una herramienta SKIL del consumidor para fines industriales, profesionales o comerciales, se aplicará la garantía anterior durante noventa días, sin considerar el registro.

LA ÚNICA OBLIGACIÓN DEL VENDEDOR Y SU ÚNICA SOLUCIÓN en virtud de esta garantía limitada y, en la medida en que lo permita la ley, cualquier garantía o condición implícita por la ley, será la reparación o el reemplazo, sin cargo, de las piezas que presentan defectos en el material o la mano de obra y que no se hayan usado de manera incorrecta, que no se hayan manejado sin la debida atención o que las hayan reparado personas que no sean el Vendedor o una estación de servicio autorizada. Para exponer un reclamo en virtud de esta garantía limitada, debe devolver el producto completo, con el transporte prepagado, a cualquier centro de servicio de la fábrica SKIL o a cualquier estación de servicio autorizada. Para comunicarse con las estaciones de servicio autorizadas de Skil para reparar su herramienta eléctrica, visite [www.Registermyskil.com](http://www.Registermyskil.com) o llame al 1-877-SKIL-999 (1-877-754-5999).

ESTA GARANTÍA LIMITADA NO SE APLICA A ARTÍCULOS ACCESORIOS, COMO HOJAS DE SIERRA CIRCULAR, BROCCAS PARA TALADROS, BROCCAS PARA REBAJADORAS, HOJAS DE SIERRA DE VAIVÉN, BANDAS DE LIJADO, DISCOS DE PULIDO Y OTROS ARTÍCULOS RELACIONADOS.

TODA GARANTÍA IMPLÍCITA APLICABLE A UN PRODUCTO DEBE ESTAR LIMITADA A LA MISMA DURACIÓN QUE LA DURACIÓN DE LAS GARANTÍAS EXPRESAS APLICABLES A DICHO PRODUCTO, SEGÚN SE ESTABLECIÓ EN EL PRIMER PÁRRAFO. ALGUNOS ESTADOS EN ESTADOS UNIDOS Y ALGUNAS PROVINCIAS EN CANADÁ NO PERMITEN LIMITACIONES SOBRE EL TIEMPO DE DURACIÓN DE UNA GARANTÍA IMPLÍCITA, DE MODO QUE LA LIMITACIÓN ANTES DESCRITA PUEDE QUE NO SE APLIQUE A USTED.

BAJO NINGUNA CIRCUNSTANCIA, EL VENDEDOR SERÁ RESPONSABLE DE DAÑOS ACCIDENTALES O RESULTANTES (INCLUIDA ENTRE OTRAS, LA RESPONSABILIDAD POR PÉRDIDA DE GANANCIAS) QUE SE ORIGINEN DE LA VENTA O EL USO DE ESTE PRODUCTO. ALGUNOS ESTADOS EN ESTADOS UNIDOS Y ALGUNAS PROVINCIAS EN CANADÁ NO PERMITEN LA EXCLUSIÓN O LIMITACIÓN DE DAÑOS ACCIDENTALES O RESULTANTES, DE MODO QUE LA LIMITACIÓN O EXCLUSIÓN ANTERIOR PUEDE QUE NO SE APLIQUE A USTED.

ESTA GARANTÍA LIMITADA LE OTORGA DERECHOS LEGALES ESPECÍFICOS, Y ES POSIBLE QUE TAMBIÉN TENGA OTROS DERECHOS QUE VARÍAN DE UN ESTADO A OTRO EN ESTADOS UNIDOS, DE UNA PROVINCIA A OTRA EN CANADÁ Y DE UN PAÍS A OTRO.

ESTA GARANTÍA LIMITADA SE APLICA SOLAMENTE A PRODUCTOS VENDIDOS EN ESTADOS UNIDOS DE AMÉRICA, CANADÁ Y EL COMMONWEALTH DE PUERTO RICO. PARA TENER UNA COBERTURA DE GARANTÍA EN OTROS PAÍSES, PÓNGASE EN CONTACTO CON SU DISTRIBUIDOR O IMPORTADOR DE SKIL.