

**IMPORTANT:**  
Read Before Using

**IMPORTANT :**  
Lire avant usage

**IMPORTANTE:**  
Leer antes de usar

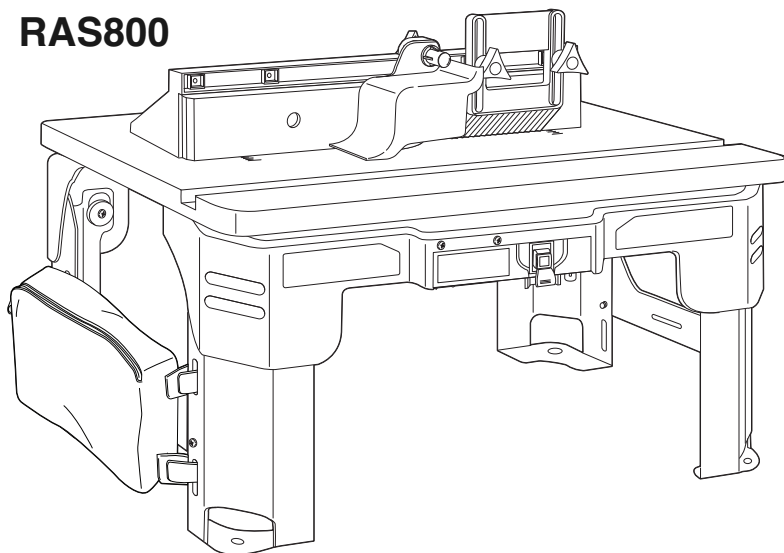


**Operating/Safety Instructions**

**Consignes de fonctionnement/  
sécurité**

**Instrucciones de funcionamiento  
y seguridad**

**RAS800**



**SKIL®**

**Consumer Information  
Renseignément des consommateurs  
Información para el consumidor**

**Toll-Free Number: Appel gratuit : Número de teléfono gratuito:  
1-877-SKIL999 (1-877-754-5999) <http://www.skil.com>**

**For English  
See page 2**

**Parlez-vous français?  
Voir page 29**

**¿Habla español?  
Ver página 57**

# Table of Contents

<b>IMPORTANT SAFETY INFORMATION</b> .....	2-6	<b>Router Table Setup</b> .....	10-15
<b>Parts List</b> .....	7-9	<b>Router Table Operation</b> .....	16-28

## Power Tool Safety Rules



**WARNING** Read and understand the tool manual and these instructions for the use of this table with your router. Failure to follow all instructions listed below may result in serious personal injury.

## SAVE THESE INSTRUCTIONS

### Work Area


Keep your work area clean and well lit. Cluttered benches and dark areas invite accidents.

Do not operate power tools in explosive atmospheres, such as in the presence of flammable liquids, gases, or dust. Power tools create sparks which may ignite the dust or fumes.

Keep bystanders, children, and visitors away while operating a power tool. Distractions can cause you to lose control.

### Electrical Safety

Grounded tools must be plugged into an outlet properly installed and grounded in accordance with all codes and ordinances. Never remove the grounding prong or modify the plug in any way. Do not use any adaptor plugs. Check with a qualified electrician if you are in doubt as to whether the outlet is properly grounded. If the tools should electrically malfunction or break down, grounding provides a low resistance path to carry electricity away from the user. Improper grounding can shock, burn, or electrocute. Grounded tools are equipped with three-conductor cord and three-prong-type plugs. *Before plugging in the tool, be certain the outlet voltage supplied is within the voltage marked on the nameplate. Do not use "AC only" rated tools with a DC power supply.*

Double-insulated tools are equipped with a polarized plug (one blade is wider than the other). This plug will fit in a polarized outlet only one way. If the plug does not fit fully in the outlet, reverse the plug. If it still does not fit, contact a qualified electrician to install a polarized outlet. Do not change the plug in any way. Double Insulation  eliminates the need for the three-wire grounded power cord and grounded power supply system. *Before plugging in the tool, be certain the outlet voltage supplied is within the voltage marked on the nameplate. Do not use "AC only" rated tools with a DC power supply.*

Avoid body contact with grounded surfaces such as pipes, radiators, ranges, and refrigerators. There is an increased risk of electric shock if your body is grounded. If operating the power tool in damp locations is unavoidable, a Ground Fault Circuit Interrupter must be used to supply the power to your tool. Electricians' rubber gloves and footwear will further enhance your personal safety.

Don't expose power tools to rain or wet conditions. Water entering a power tool will increase the risk of electric shock.

Do not abuse the cord. Never use the cord to carry the tools or pull the plug from an outlet. Keep cord away from heat, oil, sharp edges, or moving parts. Replace damaged cords immediately. Damaged cords increase the risk of electric shock.

When operating a power tool outside, use an outdoor extension cord marked "W-A" or "W." These cords are rated for outdoor use and reduce the risk of electric shock. Refer to "Important Information About Extension Cords" in your router table manual.

## Personal Safety

**Stay alert, watch what you are doing, and use common sense when operating a power tool. Do not use tool while tired or under the influence of drugs, alcohol, or medication.**

A moment of inattention while operating power tools may result in serious personal injury.

**Keep guards in place.** Maintain the guards in working order and in proper adjustment and alignment.

**Avoid accidental starting. Be sure switch is “OFF” before plugging in.** Carrying tools with your finger on the switch or plugging in tools that have the switch “ON” invites accidents.

**Remove adjusting keys or wrenches before turning the tool “ON.”** A wrench or a key that is left attached to a rotating part of the tool may result in personal injury.

**Do not overreach. Keep proper footing and balance at all times.** Proper footing and balance enable better control of the tool in unexpected situations.

**Use safety goggles (head protection).** Wear safety goggles (must comply with ANSI Standard Z87.1) at all times. Wear nonslip footwear and a hard hat, if appropriate. Also, use face or dust mask if cutting operation is dusty and ear protectors (plugs or muffs) during extended periods of operation.

## Tool Use and Care

**Use clamps or other practical way to secure and support the workpiece to a stable platform.** Holding the work by hand or against your body is unstable and may lead to loss of control.

**Do not force tool. Use the correct tool for your application.** The correct tool will do the job better and safer at the rate for which it is designed.

**Do not use tool if switch does not turn it “ON” or “OFF.”** Any tool that cannot be controlled with the switch is dangerous and must be repaired.

**Disconnect the plug from the power source before making any adjustments, changing accessories, or storing the tool.** Such

preventive safety measures reduce the risk of starting the tool accidentally.

**Keep guards in place.** Maintain the guards in working order and in proper adjustment and alignment.

**Store idle tools out of reach of children and other untrained persons.** Tools are dangerous in the hands of untrained users.

**Never leave tools running unattended.** Turn the power “OFF.” DO NOT leave tool until it comes to a complete stop.

**Maintain tools with care. Keep cutting tools sharp and clean.** Properly maintained tools, with sharp cutting edges, are less likely to bind and are easier to control. Any alteration or modification is a misuse and may result in a dangerous condition.

**Check for damaged guards or parts, misalignment or binding of moving parts, breakage of parts, and any other condition that may affect the tool’s operation. If damaged, have the tool properly repaired or replaced before using.** Many accidents are caused by poorly maintained tools. Develop a periodic maintenance schedule for your tool.

**Use only accessories that are recommended by the manufacturer for your model.** Accessories that may be suitable for one tool may become hazardous when used on another tool.

## Service

**Tool service must be performed only by qualified repair personnel.** Service or maintenance performed by unqualified personnel could result in a risk of injury. For example, internal wires may be misplaced or pinched, or safety guard return springs may be improperly mounted.

**When servicing a tool, use only identical replacement parts.** Use of unauthorized parts or failure to follow maintenance instructions may create a risk of electric shock or injury. Certain cleaning agents such as gasoline, carbon tetrachloride, and ammonia may damage plastic parts.

## Additional Safety Warnings for Router Tables

**Lift router table only by the table edges.** Lifting table by any other surface could cause personal injury.

**Always rotate leg assembly from end of leg and keep fingers clear of joint.** This avoids a pinch point.

**Never rotate leg assemblies until they are in the unlocked position.** This will prevent possible damage to the legs or table housings. Broken legs or table housings may allow the table to collapse.

**Do not use the router table until all assembly and installation steps have been completed. Prior to each use, verify that fasteners and the router clamps are tight.** A loose table or router is unstable and may shift in use, resulting in property damage or serious personal injury.

**Before operating the router in the router table, ensure that the table legs are fully extended, in the locked position, and the entire unit (router table with router) is placed on and secured to a solid, flat, level surface that will not tip.** Such precautionary safety measures reduce the risk of the table

## Additional Safety Warnings for Router Tables

shifting unexpectedly while in use, resulting in property damage or serious personal injury.

**Disconnect the router from the power supply before installing router into the table, making adjustments, changing accessories, removing the router from the table, performing maintenance, or storing the tool.** Such precautionary safety measures reduce the risk of unintentional tool operation.

**Do not plug router motor power cord into standard wall outlet. Always plug router cord into the router table switch box.** Power tool switches and controls need to be within your reach in emergency situations.

**Do not permit fingers to touch terminals on the plug when inserting or removing plug from the outlet.**

**Before connecting router or vacuum to router table switch box, ensure that the router or vacuum switch is off and that the router table switch box is unplugged.** Such precautionary safety measures reduce the risk of unintentional tool operation.

**Before using the router table, verify that the router is securely clamped in the router table base. While working, periodically check the router base fastener clamping tightness.** Vibrations from cutting operations can cause router motor clamps to loosen and the router motor may fall from the table.

**Before starting to work, ensure that the power cords from the router accessories, the switch box, and the extension cord do not and cannot come in contact with the router or any moving parts of the router.** Such precautionary safety measures reduce the risk of injury due to loss of control.

**Do not use the router table without the overhead guard unless required by a particular cutting operation. Replace guard immediately after completion of cutting operation. Remove all dust, chips, and any other foreign particles that can affect its function.** The guard will aid in keeping hands from unintended contact with the rotating bit.

**Do not use bits that have a cutting diameter that exceeds the clearance hole in the tabletop insert plate or insert rings.** Bit could contact insert plate or insert ring, throwing fragments.

**Never use dull or damaged bits.** Damaged bits can snap during use. Dull bits require more force to push the workpiece, possibly causing the bit to break or the material to kick back.

**Handle sharp bits with care.** Such precautionary safety measures reduce risk of injury.

**Do not alter insert ring or insert plate bit hole. Match the cutting diameter of the bit to the inner diameter of the insert ring or insert plate bit hole such that the difference is no less than 1/16" on a side.**

Insert rings are meant to reduce the gap between the cutting diameter of the bit and the table so that workpieces maintain full support of the table while routing.

**Install bit in accordance with instructions in the router manual. Securely clamp the router bit in the collet chuck before making any cuts.** Securing the bit before cutting reduces the risk of the bit becoming loose during operation.

**Never place your fingers near a spinning bit or under the guard when the router is plugged in.** Such precautionary safety measures reduce the risk of injury.

**Never hold the workpiece on the outfeed side of the bit.** Pressing the workpiece against the outfeed side of the fence may cause material binding and possible kickback, pulling your hand into the bit.

**Guide the workpiece with the fence to maintain control of the workpiece. Do not place the workpiece between router bit and fence while routing the edge.** This placement will cause the material to become wedged, making kickback possible.

**Only use routers for working with wood, woodlike products, plastic, or laminates. Do not use router and router table for cutting or shaping metals. Be sure workpiece does not contain nails or other hard objects.** Cutting nails may cause loss of control of the tool or workpiece.

**Never start the tool when the bit is engaged in the material.** The bit-cutting edge may grab the material, causing loss of control of the workpiece.

**Feed the workpiece only against the rotation of the bit. Do not "back feed" the workpiece into the bit.** The bit rotates counterclockwise as viewed from the top of the table. "Back feeding" will cause the workpiece to "climb" up on the bit, pulling the workpiece and possibly your hands into the rotating bit.

**Do not feed the workpiece into the bit where the majority of the workpiece is between the fence and the bit.** This creates a "fence trap" which is a hazardous situation due to the bit being exposed. This will cause the work to "climb-cut" away from the tabletop and may lead to loss of control during operation.

**Do not cut material that is warped, wobbly, or otherwise unstable. The router table is designed to cut flat, straight, and squared materials. If the material is slightly curved but otherwise stable, cut the material with the concave side against the table or fence.** Cutting the material with the concave side up or away from the table may cause the warped or wobbly material to roll and kick back, causing the user to lose control.

## Additional Safety Warnings for Router Tables

**Use auxiliary infeed and outfeed supports for long or wide workpieces.** Oversize workpieces without adequate support can flip off the table or cause the table to tip.

**Use push stick, vertically and horizontally mounted featherboards (spring sticks), and other jigs to hold down the workpiece.**

Push sticks, featherboards, and jigs eliminate the need to hold the workpiece near the spinning bit.

**Never let go of the workpiece when routing until the cut has been completed and the workpiece is completely clear of the bit.**

Such precautionary safety measures reduce the risk of injury and property damage.

Featherboards aid in holding the workpiece in position when routing on a router table. They are not intended to hold the workpiece in place alone when the workpiece is in contact with the bit, or at any other time when the bit is turning.

**Always hold the workpiece against the router table fence when routing.** Such precautionary measures increase accuracy in routing and improve control of the workpiece, reducing the risk of injury.

**Never leave the router unattended while it is running or before it comes to a complete stop.** Such precautionary safety measures reduce the risk of injury and property damage.

**Do not use the table as a workbench or work surface.** Using it for purposes other than routing may cause damage and make it unsafe to use in routing.

**Never stand on the table or use as a ladder or scaffolding.** The table could tip or the cutting tool could be accidentally contacted.

**When servicing the tool, use only recommended SKIL replacement parts. Follow instructions in the Maintenance section of this manual.** Use of unauthorized parts or failure to follow maintenance instructions can result in personal injury.

**Some dust created by power sanding, sawing, grinding, drilling, and other construction activities contains chemicals known to cause cancer, birth defects, or other reproductive harm. Some examples of these chemicals are:**

- Lead from lead-based paints
- Crystalline silica from bricks, cement, and other masonry products
- Arsenic and chromium from chemically treated lumber

Your risk from these exposures varies, depending on how often you do this type of work. To reduce your exposure to these chemicals, work in a well-ventilated area, and work with approved safety equipment, such as those dust masks that are specially designed to filter out microscopic particles.

## Improper Fence Location and Workpiece Feed

**⚠ WARNING** Do not feed the workpiece where the majority of the workpiece is between the fence and the bit. This creates a “fence trap” which is dangerous for two reasons:

- The front of the bit is exposed during the cutting operation (Fig. A).
- The bit can “Climb-cut,” where the bit enters the workpiece in the same direction as the feed direction. This is likely to cause the workpiece to “climb” away from the tabletop and may lead to loss of control during operation (Fig. A).

**⚠ WARNING** Feed the workpiece only against the rotation of the bit. Do not “back feed” the work into the bit. The bit rotates counterclockwise as viewed from the top of the table. “Back feeding” the work is dangerous for two reasons:

- It will cause climb-cutting where the workpiece can “climb” off the tabletop in the direction of the bit rotation, pulling the workpiece and possibly your hands into the rotating bit (Fig. B).
- It is difficult to keep the workpiece against the fence face as the bit rotation will push the workpiece away from the fence.

FIG. A

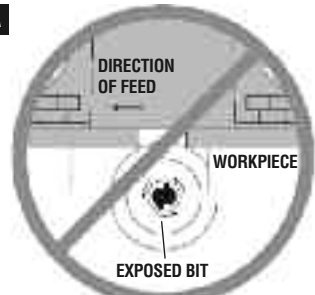
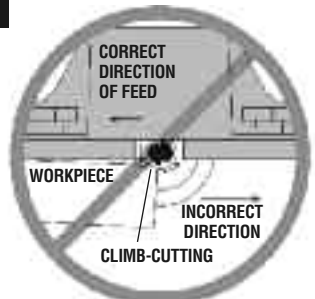


FIG. B



## Important Information About Extension Cords

**⚠ WARNING** An extension cord with adequate size conductors that is capable of carrying the current for your tool must be used. This will prevent excessive voltage drop, loss of power, or overheating. Grounded tools must use 3-wire extension cords that have 3-prong plugs and receptacles.



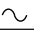
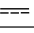
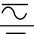




**NOTE:** The smaller the gauge number, the heavier the cord.

### RECOMMENDED SIZES OF EXTENSION CORDS FOR 120-VOLT ALTERNATING CURRENT TOOLS

Tool's Ampere Rating	Cord Size in A.W.G.				Wire Sizes in mm <sup>2</sup>			
	Cord Length in Feet				Cord Length in Meters			
	25	50	100	150	15	30	60	120
3-6	18	16	16	14	.75	.75	1.5	2.5
6-8	18	16	14	12	.75	1.0	2.5	4.0
8-10	18	16	14	12	.75	1.0	2.5	4.0
10-12	16	16	14	12	1.0	2.5	4.0	—
12-16	14	12	—	—	—	—	—	—

## Symbols

**IMPORTANT:** Some of the following symbols may be used on your tool. Please study them and learn their meaning. Proper interpretation of these symbols will allow you to operate the tool better and safer.

Symbol	Name	Designation/Explanation
V	Volts	Voltage (potential)
A	Amperes	Current
Hz	Hertz	Frequency (cycles per second)
W	Watt	Power
kg	Kilograms	Weight
min	Minutes	Time
s	Seconds	Time
∅	Diameter	Size of drill bits, grinding wheels, etc.
n <sub>0</sub>	No load speed	Rotational speed, at no load
.../min	Revolutions or reciprocation	Revolutions, strokes, surface speed, orbits, per minute etc., per minute
0	Off position	Zero speed, zero torque...
1, 2, 3, ... I, II, III,	Selector settings	Speed, torque, or position settings Higher number means greater speed
	Infinitely variable selector with off	Speed is increasing from 0 setting
	Arrow	Action in the direction of arrow
	Alternating current	Type or a characteristic of current
	Direct current	Type or a characteristic of current
	Alternating or direct current	Type or a characteristic of current
	Class II construction	Designates double-insulated construction tools
	Earthing terminal	Grounding terminal
	Warning symbol	Alerts user to warning messages
	Ni-Cad RBRC seal	Designates Ni-Cad battery recycling program



This symbol designates that components of this tool are recognized by Underwriters Laboratories and recognized to Canadian Standards by Underwriters Laboratories.

## Parts List

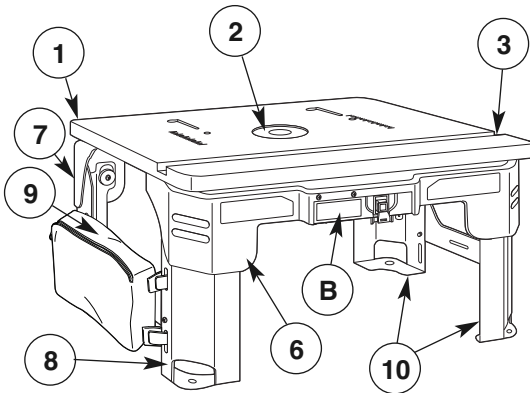
Refer to Parts List below and on pages 8–9.

- ⚠ WARNING** If **ANY** of the parts are missing, **DO NOT** attempt to assemble, install, or use your router table until the missing parts have been found or replaced and your router table has been properly and correctly assembled per this manual.
- For missing parts or technical assistance, call 1-877-SKIL999 (877-754-5999).**
- In order to simplify handling and to minimize any damage that may occur during shipping, your router table comes mostly assembled. Repositioning of some parts will be required.
- Separate all parts from the packaging materials and check each part against the illustrations and the parts lists to make sure that all parts have been included. Do this before discarding any of the packaging material.

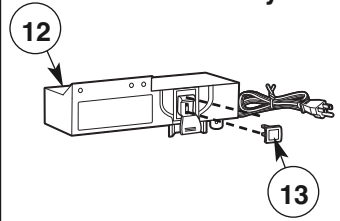
Key No.	Description	Quantity
<b>A</b>	<b>ROUTER TABLE ASSEMBLY COMPONENTS (shipped preassembled)</b>	
1	Router Tabletop	1
2	Insert Plate	1
3	Steel Miter Channel (includes 3 #10-32 x 7/8" screws, item 28)	1
4	Router Mounting Bracket (not shown)	4
5	Small Star Clamping Knob (not shown)	4
6	Front Table Housing	1
7	Rear Table Housing	1
8	Left Folding Steel Leg Assembly	1
9	Storage Bag	1
10	Right Folding Steel Leg Assembly	1
11	Insert Ring Set	1
11A	Insert Ring w/ 1/2" dia. hole	1
11B	Insert Ring w/ 3/4" dia. hole	1
11C	Insert Ring w/ 1" dia. hole	1
11D	Insert Ring w/ 1¼" dia. hole	1
11E	Insert Ring w/ 1½" dia. hole	1
<b>B</b>	<b>SWITCH BOX ASSEMBLY COMPONENTS</b>	
12	Switch Box Assembly (with lockout key)	1
13	Lockout Key (replacement part)	1
<b>C</b>	<b>FENCE ASSEMBLY COMPONENTS (shipped preassembled)</b>	
14	Router Table Fence	1
15	Overhead Guard Assembly (includes spacer)	1
16	Faceplate	2
17	Outfeed Shim Plate (may be attached to outfeed side of fence)	1
18	Clamping Knob	7
19	Featherboard	1
<b>D</b>	<b>MITER GAUGE ASSEMBLY COMPONENTS</b>	
20	Miter Bar	1
21	Protractor Head	1
22	Small Clamping Knob	1
	<b>ITEMS NOT ILLUSTRATED</b>	
23	Operating/Safety Instructions	1

# Parts List

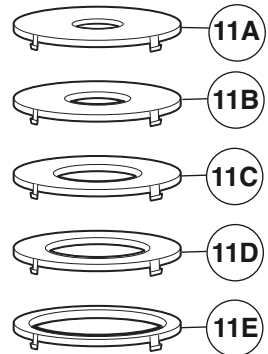
## Table Assembly Components



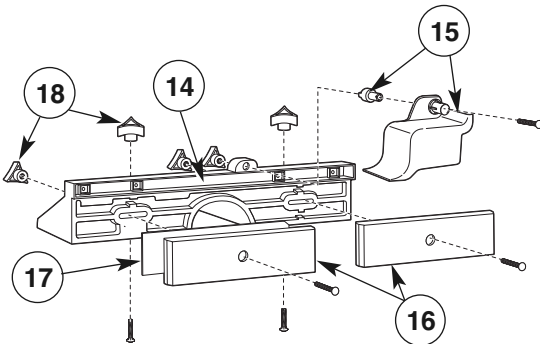
## Switch Assembly



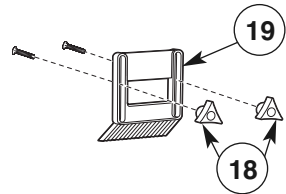
## Insert Rings



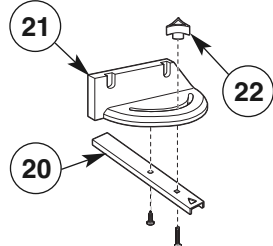
## Fence Components



## Featherboard



## Miter Gauge

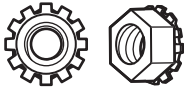




## Parts List

Key No.	Description	Quantity
<b>MISCELLANEOUS FASTENERS (installed or bagged)</b>		
24	#10-32 KEPS Nut	13
25	#10-32 Flat Washer	4
26	#10-16 x 1/2" Pan-Head Self-Tapping Screw	5
27	#6 x 5/8" Flat-Head Wood Screw	2
28	#10-32 x 7/8" Countersunk-Head Screw	3
29	#10-24 x 3/4" Carriage Bolt	1
30	#10-32 x 5/8" Truss-Head Screw	17
31	#10-32 x 2 1/2" Truss-Head Screw	4
32	1/4-20 x 1 3/4" Carriage Bolt	6
33	1/4-20 x 2 1/2" Carriage Bolt	1

### Miscellaneous Fasteners



**(24)** #10-32  
KEPS Nut



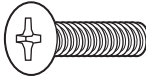
**(25)** #10-32  
Flat Washer



**(26)** #10-16 x 1/2" Pan-Head  
Self-Tapping Screw



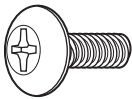
**(27)** #6 x 5/8"  
Flat-Head Wood Screw



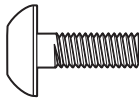
**(28)** #10-32 x 7/8"  
Countersunk-Head Screw



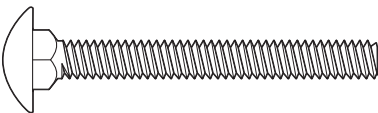
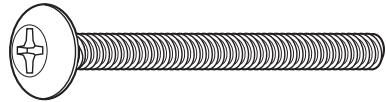
**(29)** #10-24 x 3/4"  
Carriage Bolt



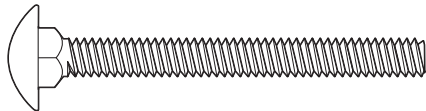
**(30)** #10-32 x 5/8"  
Truss-Head Screw



**(31)** #10-32 x 2 1/2"  
Truss-Head Screw



**(32)** 1/4-20 x 1 3/4" Carriage Bolt



**(33)** 1/4-20 x 2 1/2" Carriage Bolt

# Router Table Setup

## PREPARING THE ROUTER TABLE FOR USE

**⚠ WARNING** Lift router table only by the table edges. Lifting table by any other surface could cause personal injury.

### HELPFUL TOOLS TO HAVE ON HAND

- #1 and #2 Phillips screwdrivers (not included)
- 3/8" wrench or nut driver (not included)

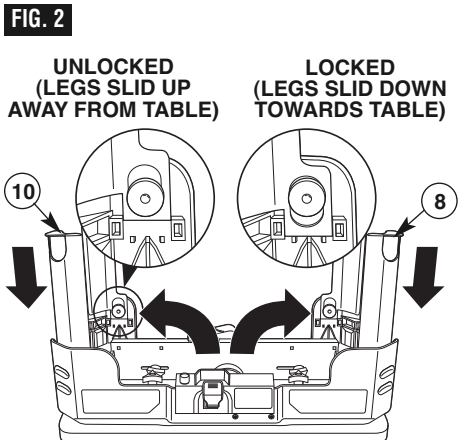
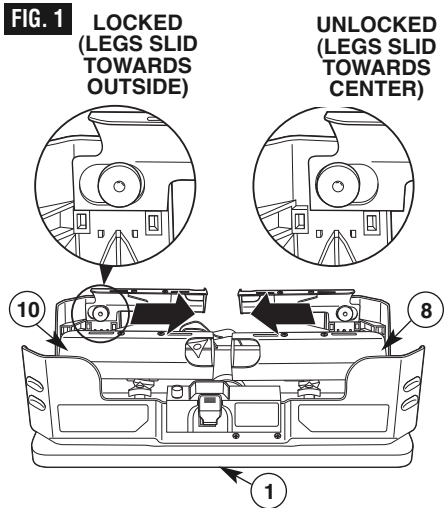
### UNFOLDING AND LOCKING LEGS (Figs. 1 and 2)

1. Gently lift and place the router table assembly upside down on the tabletop (1).
2. Gently pull both leg assemblies (8 and 10) inward towards center of the table until the leg assemblies are in the unlocked position as shown in Fig. 1.

**⚠ WARNING** Always rotate leg assembly from end of leg and keep fingers clear of joint. This avoids a pinch point.

**⚠ WARNING** Never rotate leg assemblies until the locking tabs have been completely disengaged. This will prevent possible damage to the locking tabs or table housings.

3. After the leg assemblies (8 and 10) are unlocked, rotate both leg assemblies to the fully upright and extended position. (See Fig. 2.)
4. Gently press down on both leg assemblies (8 and 10) to secure and lock the left and right leg assemblies in the upright position as shown in Fig. 2.



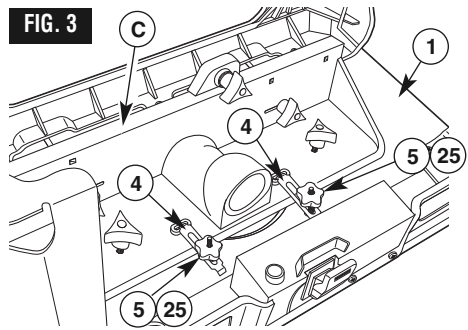
# Router Table Setup

## REMOVING THE FENCE ASSEMBLY (Fig. 3)

The fence for your router table comes fully assembled with the adjustable jointing fence and overhead guard already in place. The fence assembly is secured to the bottom of the table for shipment and storage.

1. Loosen two small clamping knobs (5), washers (25), and mounting brackets (4) securing fence assembly (C) to bottom of router table (1). Remove fence assembly (C) from storage position under the router table (1) and set it to one side. (See Fig. 3.)

**NOTE:** Shim plate can be stored on outfeed side of the fence assembly.



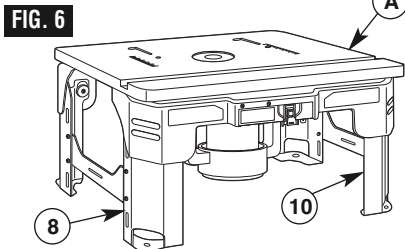
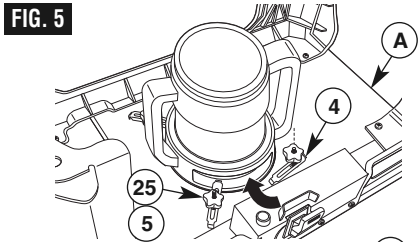
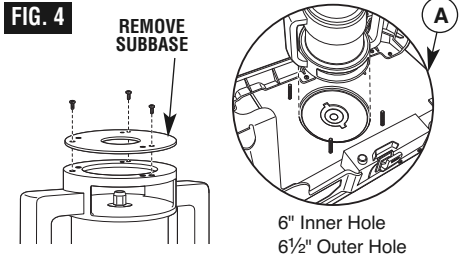
## MOUNTING THE ROUTER TO THE ROUTER TABLE (Figs. 4-6)

The bottom of the router table has two countersunk guide holes cut into the bottom of the table to fit most standard 6" or 6½" router bases. Use these as guides to center your router on the table.

**WARNING** Disconnect the router from the power supply before installing router into the table. Such precautionary safety measures reduce the risk of unintentional tool operation.

1. Gently turn over the router table (A) and place it on its top. Make sure the fence assembly (C) has been removed from its storage position.
2. Remove the plastic subbase from the router (Fig. 4). Store the screws and the subbase in a convenient place.
3. Place the router in the correct countersunk hole as shown in Fig. 4. (Brackets are removed for clarity.)
4. Mount the router by positioning the four mounting brackets (4) over the edges of the router housing and tightening the small star clamping knobs (5) and washers (25) to secure the router to the bottom of the table (A). Make sure the clamping knobs have been securely tightened. (See Fig. 5.)

**WARNING** Before using the router table, verify that the router is securely clamped in the router table base. While working, periodically check the router base fasteners clamping tightness. Router motor vibration can loosen fasteners during use, causing the router to fall from the table.



**CAUTION** Do not adjust #10-32 x 2½" Truss-Head screws. Screws are preinstalled. Overtightening screws will damage the tabletop.

5. Gently turn over router table (A) and place on the legs (8 and 10). (See Fig. 6.) See pages 12-14 for further instructions.

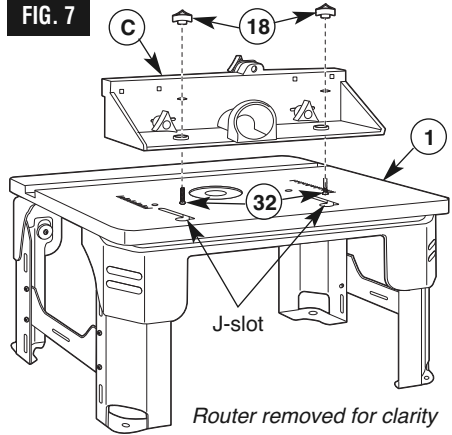
## Router Table Setup

### INSTALLING THE FENCE ASSEMBLY (Fig. 7)

The fence comes assembled. Step 1 refers to reassembly, if necessary; otherwise, go to Step 2 if already assembled.

1. From underneath, slide two 1/4-20 x 1 3/4" carriage bolts (32) up through the holes in the bottom of the fence assembly (C). Loosely attach a clamping knob (18) onto each bolt. (See Fig. 7.)
2. Insert the carriage bolt heads (32) through the holes of the J-slots on the tabletop (1), making sure the bolt heads are below the inside surface of the tabletop and can slide freely in the J-slot.
3. From the rear of the table assembly, slide the fence assembly (C) right and into the J-slot and make sure that it slides smoothly from front to back.
4. Tighten the large clamping knobs (18) to secure the fence assembly (C) to a desired position.

FIG. 7



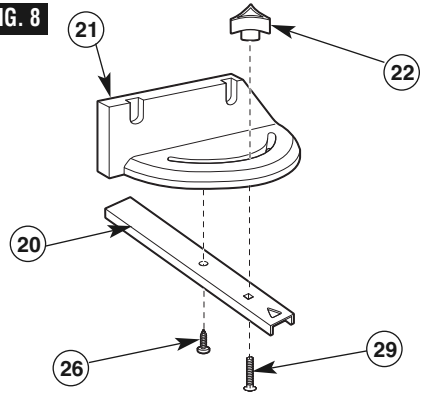
**NOTE:** Use the scale on the tabletop as a guide when aligning the fence for routing operations. Once the fence is positioned and aligned correctly, tighten the clamping knobs **SECURELY**.

### MITER GAUGE ASSEMBLY (Fig. 8)

The miter gauge assembly (D) comes fully assembled. If necessary, use the following instructions to assemble it.

1. Screw the #10-16 x 1/2" self-tapping, pan-head screw (26) through the round hole in the miter bar (20) and into the protractor head (21).
2. Tighten the screw so that the screw head just touches the miter bar. The protractor head should turn easily. If not, loosen the screw slightly.
3. Insert the #10-24 x 3/4" carriage bolt (29) through the square hole in the miter bar (20) and slot in the miter gauge and secure with the small clamping knob (22).

FIG. 8

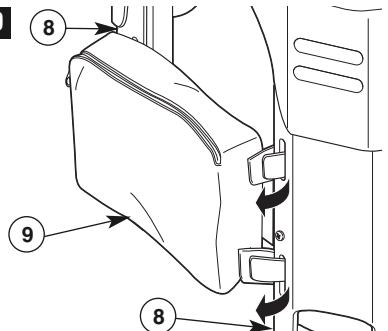


### STORAGE BAG (Fig. 9)

A canvas storage bag (9) comes with the router table (A). The storage bag can be mounted to the outside or the inside of the left or right leg assembly.

1. Pull apart each hook and loop strap attached to the storage bag (9).
2. Feed each strap through the slots in the left or right leg assembly (8 or 10).
3. Secure the storage bag (9) to the leg assembly (8 or 10) by pressing each hook and loop strap together.

FIG. 9



# Router Table Setup

## MOUNTING THE ROUTER TABLE TO A WORK SURFACE OR WORKBENCH

**⚠ WARNING** Before operating the router in the router table, ensure that the table legs are fully extended and in the locked position. The entire unit (router table with router) is placed on and secured to a solid, flat, level surface that will not tip. Such precautionary measures reduce the risk of table shifting unexpectedly while in use resulting in property damage or serious personal injury.

### HELPFUL TOOLS AND PARTS (not included)

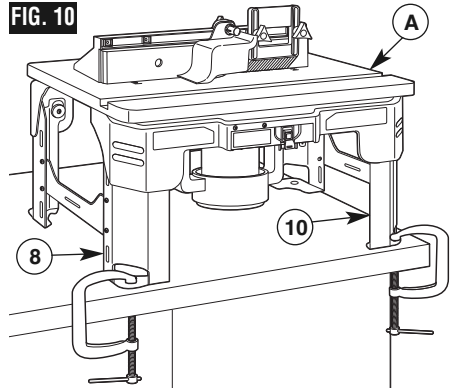
- C-clamps

- Phillips screwdrivers
- Small adjustable wrench
- Electric or hand drill with drill bits (depending on mounting method used)
- Fasteners
  - 4 #10-16 x 3/4" pan-head wood screws and 4 washers (for solid wood surfaces or workbenches)
  - OR
  - 4 3/16" pan-head machine screws, 8 washers, and 4 hex nuts

### METHOD 1 (Fig. 10)

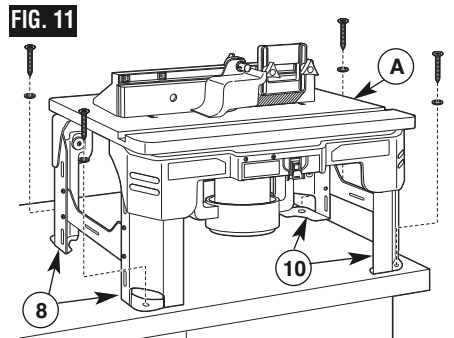
1. Set router table (A) on a workbench or other stable surface, with the FRONT (switch side) of the router table facing towards you.
2. Using the clamping bosses on the router table legs (8 and 10), secure the router table legs to the workbench with clamps. Be sure to tighten them securely.

**IMPORTANT:** Be sure the placement of the clamps will not interfere with operation of the router table.



### METHOD 2 (Fig. 11)

1. Set the router table (A) on a workbench or other stable and sturdy surface, with the FRONT (switch side) of the router table facing towards you.
2. While holding the router table in the desired position, mark the location of the four mounting holes (two on each leg assembly [8 and 10]).
3. Remove the router table (A) from the workbench and set it aside.
4. Drill suitable pilot holes (for wood screws) or through-holes (for machine screws) at the marked locations.
5. Place the router table (A) on the workbench and align the mounting holes in the router table legs (8 and 10) with the holes drilled in the workbench.
6. Secure the router table (A) in place using the wood screws and washers (not provided).



If using wood screws, applying a thin coat of soap to the screw threads will make it easier to thread the screws into the pilot holes.

7. TIGHTEN all screws SECURELY.

## Router Table Setup

### ALTERNATE METHOD 2 (Figs. 12 and 13)

1. Cut a board 18 $\frac{1}{4}$ " wide x 23" long from a piece of 3/4" thick wood or plywood.
2. Center the router table (A) on the board and mark the location of the four mounting holes (two on each leg assembly [8 and 10]).
3. Remove the router table (A) from the workbench and set it aside.
4. Drill suitable pilot holes (for wood screws) or through-holes (for machine screws) at the marked locations.
5. Place the router table (A) on the board and align the mounting holes in the router table legs (8 and 10) with the holes drilled in the board.
6. Secure the router table (A) in place using the wood screws and washers (not provided). Applying a thin coat of soap to the screw threads will make it easier to thread the screws into the pilot holes.
7. Secure the board to a workbench or other sturdy surface with screws (Fig. 12) or clamps (Fig. 13) during use.

**IMPORTANT:** Be sure the placement of the clamps will not interfere with operation of the router table.

FIG. 12

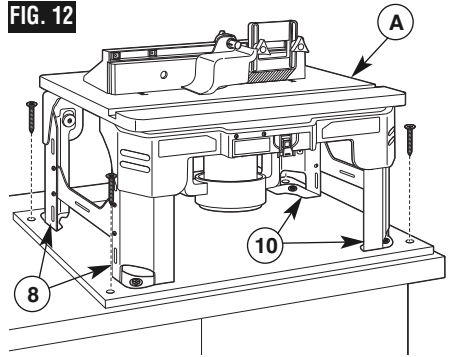
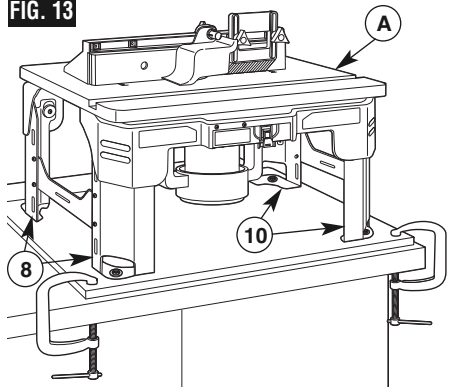


FIG. 13

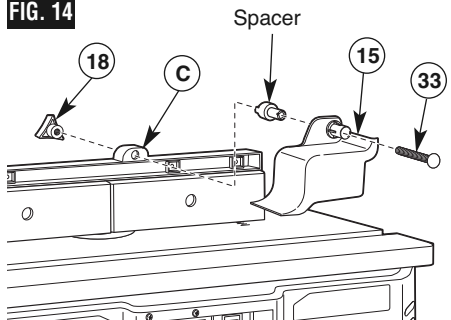


### OVERHEAD GUARD ASSEMBLY (Fig. 14)

The overhead guard assembly (15) comes preinstalled on the fence assembly. Some routing applications will require you to remove this guard.

1. Loosen and remove clamping knob (18) on the top back of the fence assembly (C).
2. Slide the 1/4-20 x 2 $\frac{1}{2}$ " carriage bolt (33), overhead guard (15), and spacer from the fence assembly (C).
3. Reinstall the overhead guard assembly (15) by following these steps in reverse.

FIG. 14



## Router Table Setup

**⚠ WARNING** Disconnect the router from the power supply before installing router into the table, making adjustments, changing accessories, removing the router from the table, performing maintenance, or storing the tool. Such precautionary safety measures reduce the risk of unintentional tool operation.

### INSERT RINGS (Fig. 15)

This router table (1) includes five insert rings with the following hole sizes:

- (11A) 1/2" diameter, for use with bits up to 3/8" diameter
- (11B) 3/4" diameter, for use with bits larger than 3/8" and up to 5/8" diameter
- (11C) 1" diameter, for use with bits larger than 5/8" and up to 7/8" diameter
- (11D) 1 1/4" diameter, for use with bits larger than 7/8" and up to 1 1/8" diameter
- (11E) 1 1/2" diameter, for use with bits larger than 1 1/8" and up to 1 3/8" diameter

No insert ring is required for bits with diameters between 1 1/2" and 1 5/8".

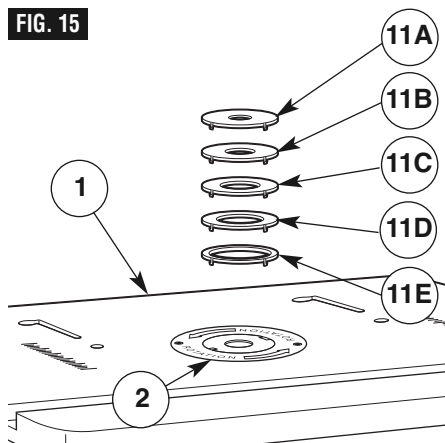
**⚠ WARNING** Do not use the router table with bits over 1 5/8" in diameter. Bits larger than 1 5/8" exceed the clearance hole in the tabletop insert rings. Bits larger than 1 5/8" can contact insert plate or insert ring, throwing fragments.

These five insert rings are supplied individually and can be found in the storage bag. The insert ring should fit into the tabletop hole completely. Use a fine file or emery board to remove excess plastic or rough edges that may cause the insert ring to protrude above the table surface.

**⚠ WARNING** Do not alter insert ring or insert plate bit hole.

Match the cutting diameter of the bit to the inner diameter of the insert ring or insert plate bit hole such that the difference is no less than 1/16" on a side. Insert rings are meant to reduce the gap between the cutting diameter of the bit and table so that workpieces maintain full support of the table while routing.

FIG. 15



### TO INSTALL TABLETOP INSERT RINGS (Fig. 15)

1. Select the insert ring (11A–11E) that best accommodates the router bit to be used.
2. Press the insert ring (11A–11E) into the large hole in the plastic insert plate (2).
3. Press down evenly over the tabs until the insert ring locks into place.
4. To remove, pull up gently until the tabs disengage. When not in use, store insert rings (11A–11E) in the tool bag or a convenient place.

**⚠ WARNING** Do not use, attempt to change, or remove tabletop insert ring from the tabletop unless the router is off and unplugged. Such precautionary safety measures reduce the risk of unintentional tool operation.

# Router Table Operation

## SWITCH CONTROL BOX

**⚠ WARNING** Do not plug router motor power cord into standard wall outlet. Always plug router cord into the router table switch. Power tool switches and controls need to be within your reach in emergency situations.

### GENERAL INFORMATION

The power switch is designed for use with most SKIL Router Tables. It provides the convenience of an ON (RESET)/OFF switch at the front of the table, thus eliminating the need to reach underneath the table to turn the router ON and OFF.

The power switch also provides an optional simultaneous ON/OFF control of an additional accessory, such as a light, wet/dry vacuum. The switch has an internal, resettable circuit breaker to provide overload protection.

### ELECTRICAL REQUIREMENTS

The switch box cord should only be plugged into a 14-gauge (or heavier), three-wire extension cord with a three-hole grounding receptacle and three-prong grounding plug. The extension cord must be plugged into a matching outlet that has been installed by a licensed electrician and grounded in accordance with all local codes and ordinances.

**DAMAGED OR WORN EXTENSION CORDS ARE NOT TO BE USED AND ARE TO BE REPLACED IMMEDIATELY.**

The electrical cord at the back of the switch will accept three-hole extension cords.

The electrical receptacles at the back of the switch will accept either three-prong or two-prong plugs from a router or accessory.

In the event of a malfunction or breakdown, grounding provides the path of least resistance for electrical current in order to reduce the risk of electrical shock. This switch box is equipped with an electrical cord that has an equipment-grounding connector and a grounding plug.

**DO NOT** modify the plug from the switch if it does not plug into the extension cord. Obtain an extension cord with the proper outlet.

**Improper connection of the equipment-grounding conductor can result in risk of an electrical shock.** The conductor with insulation that has a green outer surface, with or without yellow stripes, is the equipment-grounding conductor.

**DO NOT CONNECT THE EQUIPMENT-GROUNDING CONDUCTOR TO A LIVE TERMINAL.**

Check with a licensed electrician if the grounding instructions are not completely understood or if there is doubt as to whether the electrical outlet or extension cord is properly grounded.

**⚠ WARNING** Do not permit fingers to touch terminals of the plug when inserting or removing the plug from the outlet.

**⚠ WARNING** Use the switch box only when properly assembled to the router table. Use only with a router that has also been properly installed on a properly assembled router table. Such precautionary safety measures reduce the risk of injury due to loss of control.

**⚠ WARNING** Do not exceed a total combined rating of 15 amps when connecting the router and any accessories such as a light or wet/dry vacuum. The switch has a rating of 15 amps.



## Router Table Operation

### INSTALLING THE SWITCH BOX (Fig. 16)

If the switch box assembly (12) does not come preinstalled to the front table housing (6), use the following instructions to attach the switch box.

1. Place two #10-32 x 5/8" truss-head screws (30) in the holes in the front table housing opening.

**NOTE:** The screw heads should face the front of the table.

2. While holding the screws in place, slide on the switch box (12) and start the KEPS nuts (24) on the screws.

**NOTE:** The switch box should be behind the housing opening, and the washer side of the nuts should be against the switch box.

3. Hold the KEPS nuts (24) while tightening the two #10-32 x 5/8" screws (30) to secure the switch box (12).

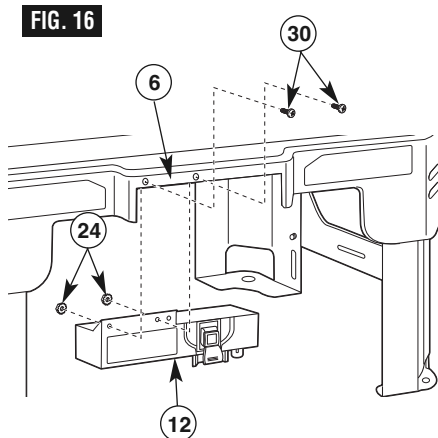


FIG. 16

### CONNECTING THE ROUTER POWER CORD TO THE SWITCH (Fig. 17)

**WARNING** Before connecting router to router table switch box, ensure that the router switch is OFF, and that the router table switch box is unplugged. Such precautionary safety measures reduce the risk of unintentional tool operation.

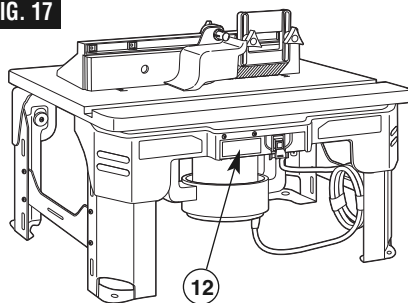
1. Plug the router power cord into one of the electrical outlets on the back of the switch box (12).
2. Form the excess power cord into a coil.
3. Wrap two pieces of electrical tape or cable ties around the coiled cord at opposite sides of the coil.
4. Allow some slack so that the cord does not become stretched when it is plugged into the switch box outlets.
5. If desired at this time, plug the power cord from an accessory, such as a wet/dry vacuum or light, into the other outlet.

**WARNING** Before starting to work ensure that the power cords from the router, accessories, the switch case, and the extension cord do not and cannot come in contact with the router or any moving parts of the router. Such precautionary safety measures reduce the risk of injury due to loss of control.

#### Cord Positioning

Position the switch cord and any accessory power cords down the inside of the legs, then out the rear base of the router table to an electrical outlet. Secure cord(s) to leg(s) with electrical tape or tie straps. This will prevent cord(s) from coming in contact with any moving parts.

FIG. 17



# Router Table Operation

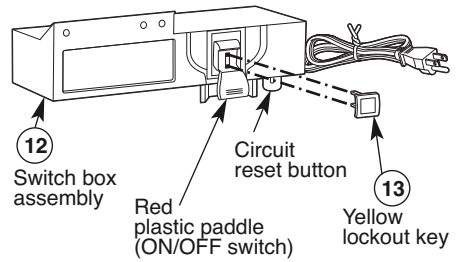
## SWITCH OPERATION (Fig. 18)

This section explains the operation and features of the switch box assembly (B) prior to plugging the power cord into a power outlet. The intent is to familiarize the user with the switch operation without actually turning ON the router.

The switch box (12) (Fig. 18) incorporates a lockout key (13) to help prevent unauthorized use by others.

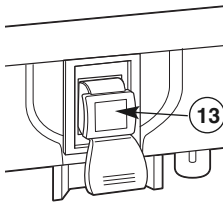
- The lockout key (13) is the yellow part in the top of the red plastic paddle. The yellow lockout key **must be completely** inserted into the top of the red plastic paddle and switch box (12) before the paddle can be turned ON.
- The circuit reset button for the switch box (12) is on the bottom right side of the box.

**FIG. 18**

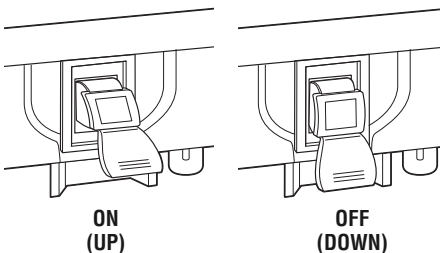


**⚠ WARNING** Make sure that the extension cord is not plugged into an electrical outlet before proceeding any further.

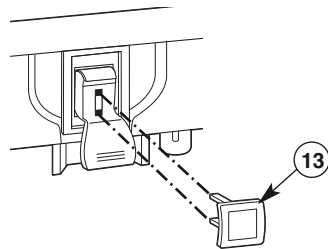
1. Make sure the yellow lockout key (13) is completely inserted in the top of the red plastic paddle.



2. To turn the router ON, lift the red plastic paddle up to the ON position.
3. To turn the router OFF, press the red plastic paddle to the OFF position.



4. To prevent unauthorized use, the switch can be disabled by removing the yellow lockout key (13) completely from the top of the red plastic paddle.



## Router Table Operation

**⚠ WARNING** Before proceeding any further, make sure the switch on the router is in the OFF position and the switch lever is in the OFF position.

**⚠ WARNING** Never leave the router unattended while it is running or before it comes to a complete stop.

**⚠ WARNING** Before starting to work ensure that the power cords from the router, accessories, the switch case, and the extension cord do not and cannot come in contact with the router or any moving parts of the router. Such precautionary safety measures reduce the risk of injury due to loss of control.

The switch power cord can now be plugged into the extension cord.

### ROUTER AND SWITCH OPERATION

This section explains operation of the switch with the power cord plugged into the extension cord.

The router will turn ON when the red paddle on the switch box is pulled up to the ON position.

1. Position the ON/OFF switch on the router in the ON position. On certain routers this will require the use of the switch trigger and "LOCK/ON" button. (Consult router owner's manual.) **Make sure the switch on the switch box is in the OFF position when doing this.**
2. To turn the router ON, pull up the red paddle to the ON position. See page 18.
3. To turn the router OFF, press the red paddle to the OFF position. See page 18.

### CIRCUIT RESET BUTTON

**NOTE:** In the event of an overload, the internal switch circuit breaker will trip the switch box assembly OFF. This will interrupt power to the router and any accessory plugged into the switch itself. **If this occurs, proceed as follows:**

1. Push the red plastic paddle to the OFF position and unplug the switch cord from the wall outlet or extension cord.
2. Turn router switch to OFF position.
3. Remove the workpiece from the router table.
4. Correct the cause of the overload situation. For example, if too many accessories are plugged into the switch or combined amperage exceeds the switch rating, remove the accessory. Other causes include the removal of too much stock or use of too high a feed rate.
5. Press the circuit breaker button on the bottom of the switch box.
6. Plug the switch power cord into the wall outlet or extension cord.
7. Restart the router as described in the section **ROUTER AND SWITCH OPERATION** on this page.

**⚠ WARNING** If the switch case does not work and you have tried to RESET the circuit reset button as described above:

- Unplug ALL electrical connections.
- Remove the switch from the router table and obtain a replacement switch by calling SKIL customer service at 1-877-SKIL999.

### WHEN THE ROUTER TABLE IS NOT IN USE

1. Make sure the switch is in the OFF position.
2. Remove the lockout key (13). See page 18.
3. **Store the lockout key in a safe location where it is not available to children and other unauthorized persons.**
4. Unplug the switch power cord from the wall outlet or extension cord.
5. Remove the router bit from the router.
6. Position the router collet assembly below the top of the router table.

**NOTE:** If the key should become lost or damaged, replacement keys are available by calling SKIL customer service at 1-877-SKIL999.

# Router Table Operation

## USING THE ROUTER TABLE

### ATTACHING AND USING A WET/DRY VACUUM

**⚠ WARNING** Before connecting vacuum to router table switch box, ensure that the vacuum switch is OFF, and that the router table switch box is unplugged. Such precautionary safety measures reduce the risk of unintentional tool operation.

**⚠ WARNING** Do not exceed a total combined rating of 15 amps when connecting the router and any accessories such as a light or wet/dry vacuum. The switch has a rating of 15 amps.

The fence assembly has a port for connecting a wet/dry vacuum hose with a 2½" nozzle. To attach, simply push the nozzle into the port while holding the fence assembly in place. The vacuum can be plugged into the router table switch box. Be sure the cord does not interfere with router operation.

**⚠ CAUTION** Operating the router table without a wet/dry vacuum can result in an excessive buildup of sawdust and wood chips under the fence assembly and guard, reducing the performance of the router table and fence assembly.

**RECOMMENDATION:** To maximize performance, regardless of whether a wet/dry vacuum is being used, remove the sawdust and wood chips from under the fence assembly and guard as needed.

**RECOMMENDATION:** It is always a good practice to keep the work area clean. As necessary, remove any accumulated sawdust and wood chips from the top of the router table, as well as from the surrounding work area and floor.

**⚠ WARNING** Never place your fingers near a spinning bit or under the guard when the router is plugged in. Such precautionary safety measures reduce the risk of personal injury.

---

### INSTALLING THE ROUTER BIT (CUTTER)

**⚠ WARNING** Disconnect the router from the power supply before making adjustments or changing accessories. Such precautionary safety measures reduce the risk of unintentional tool operation.

Install the router bit according to the instructions included with your router. Because of the large variation of router bits, certain router bits may not always operate in the desired manner with this router table.

To ensure that the most popular bits will perform satisfactorily, install the bit so that the router collet engages 3/4" of the router bit shank. If the shank of the router bit bottoms out in the collet, back out the router bit approximately 1/16" to allow for proper tightening.

**NEVER INSTALL ROUTER BITS WITH LESS THAN 3/4" OF SHANK ENGAGEMENT IN THE COLLET.**

## Router Table Operation

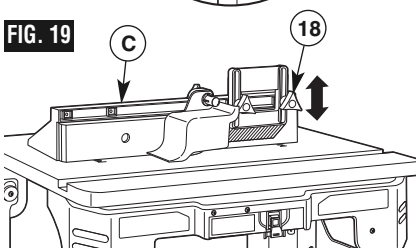
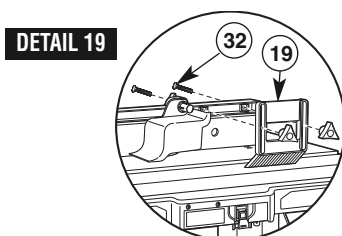
### ASSEMBLING THE FEATHERBOARD

**NOTE:** The top/front side of the featherboard is marked to indicate proper feed direction.

#### Fence Featherboard (Fig. 19 and Detail 19)

1. Insert two 1/4-20 x 1 3/4" carriage bolts (32) through the back of the fence assembly (C) and the slotted holes in the featherboard (19). See Detail 19.
2. Thread clamping knobs (18) onto each carriage bolt (32) and tighten when featherboard (19) is at the desired height.
3. The workpiece should move with some resistance but without requiring a great effort.

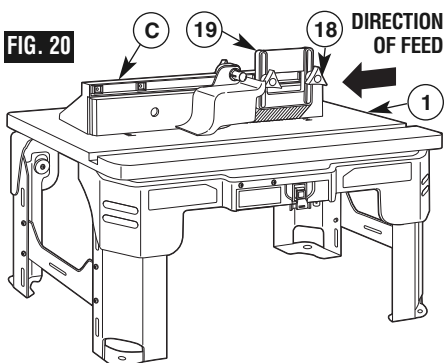
Featherboard can be mounted in one of two locations—right or left side of the fence assembly.



### ROUTING USING FEATHERBOARD (Fig. 20)

Featherboard is helpful in controlling the workpiece while routing and assisting in keeping the workpiece flat on the tabletop. The fence featherboard helps keep the workpiece pressed against the fence and tabletop.

1. Loosen clamping knobs (18) on featherboard (19) until featherboard is adjustable.
2. Place the workpiece on the router table so that it is squarely against the fence assembly (C).
3. Position the featherboard (19) snugly against the workpiece and tighten the clamping knobs (18).
4. The workpiece should move with some resistance but without requiring a great effort.



**⚠ WARNING** Never let go of the workpiece when routing until the cut has been completed and the workpiece is completely clear of the bit. Such precautionary safety measures reduce the risk of personal injury and/or property damage.

- Featherboards aid in holding the workpiece in position when routing on a router table.
- They are NOT intended to hold the workpiece in place alone when the workpiece is in contact with the bit, or at any other time when the bit is turning.

## Router Table Operation

**⚠ WARNING** For accuracy in routing and improved control, the workpiece should be held against the router table fence when routing.

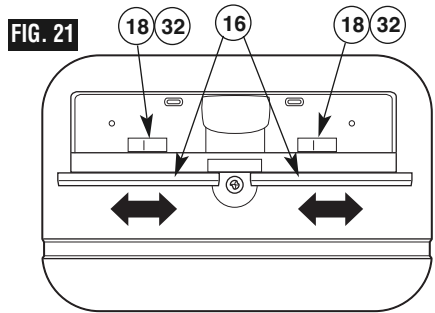
### ADJUSTING THE FENCE FACEPLATES (Fig. 21)

The right and left fence faceplates are attached to the front face of the router table fence and can be adjusted inward or outward from the router bit to allow proper clearance for different-sized bits. To provide the best support during routing operations, the fence faceplates should be as close to the bit as possible without being able to come in contact with the bit (typically about 1/4" from the bit is a suitable distance).

1. Loosen the clamping knob (18) and carriage bolt (32) securing each fence faceplate (16) and slide the faceplates inward or outward from the router bit as needed.

**⚠ WARNING** Always hold the workpiece against the router table fence when routing. Such precautionary safety measures increase the accuracy in routing and improve the control of the workpiece reducing the risk of personal injury.

2. Once the fence faceplates (16) are in the desired position, tighten the clamping knobs (18) and carriage bolts (32) SECURELY.



*Guard not shown for clarity*

# Router Table Operation

## ADJUSTING DEPTH AND HEIGHT OF CUT (Fig. 22 and Detail 22)

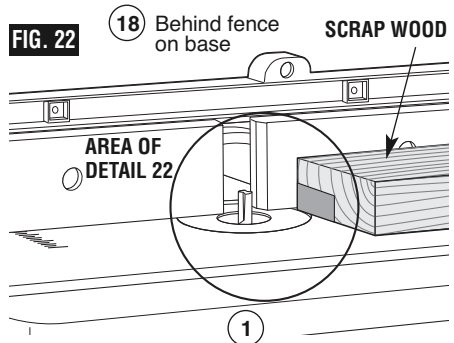
1. Select a board that is smooth and straight, with good square edges.
2. Mark lines "A" and "B" on the end of the board, as shown in Detail 22.
  - Line "A" indicates the desired *height of cut*.
  - Line "B" indicates the desired final *depth of cut*.
  - The area outlined by "A," "B," and the edge of the board is the area that will be cut away.
3. If the desired depth of cut can be cut in a single pass, loosen the fence clamping knobs and move the fence forward or backward until the outermost cutting edge of the router bit is aligned with line "B."

**NOTE:** For deeper cuts, DO NOT attempt to make the cut in a single pass. Make multiple shallower cuts, progressively moving the fence backward until the desired depth of cut is reached.

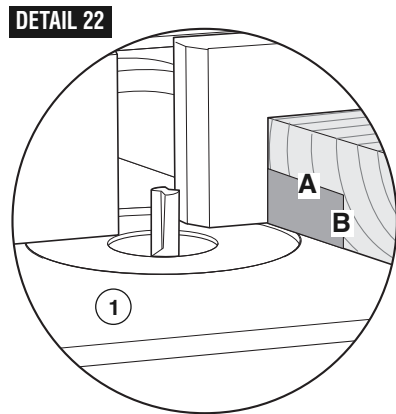
4. Use the scales on the tabletop (1) as a guide to align the fence; then SECURELY tighten both fence clamping knobs (18).

**⚠ WARNING** Always make sure that the fence and guard cannot come in contact with the router bit. Failure to do so will result in damage to the router table and can cause personal injury.

5. Following the instructions that came with your router, adjust the router height of cut until the top of the router bit lines up with line "A."
6. Once all adjustments have been made, double-check that:
  - The router is SECURELY tightened in the router base.
  - The router bit is SECURELY tightened in the router collet, with at least 3/4" shank engagement.
  - The router base is SECURELY tightened to the bottom of the router table.



*Guard not shown for clarity*



7. Remove the board from the table.

**NOTE:** When making adjustments, use a piece of scrap wood to make trial cuts before making the cut with the actual workpiece.

8. Turn the router on and make desired cut in the workpiece.

# Router Table Operation

## FULL EDGE CUTTING OR JOINTING (Figs. 23–25)

For maximum strength and accuracy, boards that are to be joined together should be smooth and true. The edges should be true to the workpiece surface. You can true the edges using the router table with a **straight bit**.

**NOTE:** Use the outfeed shim plate to provide continuous support for the workpiece as it is fed past the router bit.

**⚠ WARNING** Disconnect the router from the power supply before making adjustments or changing accessories. Such precautionary safety measures reduce the risk of unintentional tool operation.

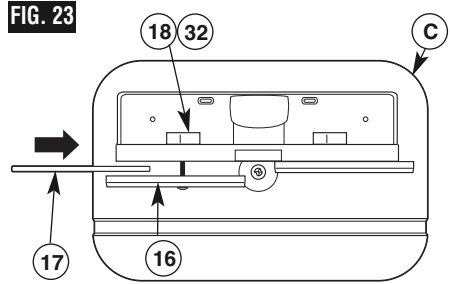
If you are using a wet/dry vac, it should be connected to the vacuum port on the back of the fence assembly.

1. Loosen the clamping knob (18) and carriage bolt (32) securing the outfeed fence faceplate (16).
2. Align the slot in the outfeed shim plate (17) with the holes in the outfeed fence faceplate (16), and slide the outfeed shim plate (17) between the fence assembly (C) and the outfeed faceplate (16) (Fig. 23).

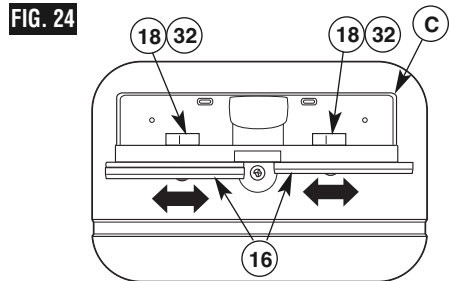
Use the outfeed shim plate for a 1/16" offset.

3. Install a straight bit in the router.
4. Position both fence faceplates so that they clear the bit by 1/4" (Fig. 24).
5. Tighten both clamping knobs (18) and carriage bolts (32) while holding both faceplates (16) in place.
6. Place a straight edge or a straight piece of wood on the table (1) so that it rests against the outfeed fence faceplate (16).
7. Move the fence back until the straight edge lines up with the cutting edge of the bit and is still in contact with the outfeed faceplate (16).
8. Tighten the clamping knobs (18) and carriage bolts (32).
9. Remove the straight edge or board.
10. Adjust the height of the bit so that it will cut the complete thickness of the workpiece.
11. Position the featherboard (19), if desired. See ROUTING USING FEATHERBOARD on page 21.
12. Remove the board from the table (1) and make sure the overhead guard (15) is securely in place.

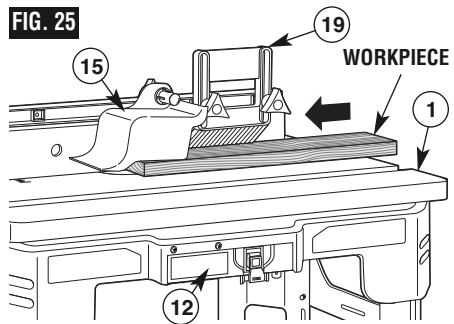
**NOTE:** When making adjustments, use a piece of scrap wood to make trial cuts before making the cut with the actual workpiece.



Guard not shown for clarity



Guard not shown for clarity



13. Make sure that both the router and switch box are OFF; then plug the router into the switch box (12).
14. While firmly holding a piece of scrap wood against the fence and down against the router table, feed a piece of scrap wood toward the bit in the direction shown by the arrow in Fig. 25.
15. Using the switch box (12), turn the router OFF. If any adjustments are needed, unplug the power cord and repeat steps 6–11 until all adjustments are correct. Once you are satisfied with all settings, make the cut with the actual workpiece.



# Router Table Operation

## EDGE CUTTING WITH NONPILOTTED ROUTER BITS (Figs. 26 and 27)

**⚠ WARNING** Disconnect the router from the power supply before making adjustments or changing accessories. Such precautionary safety measures reduce the risk of unintentional tool operation.

**NOTE:** If the outfeed shim plate is installed, remove it before proceeding.

When using nonpiloted router bits, the fence is used to set the depth of cut. For deep cuts, do not try to cut the total depth all in one pass. Repeat the cut, taking multiple smaller cuts.

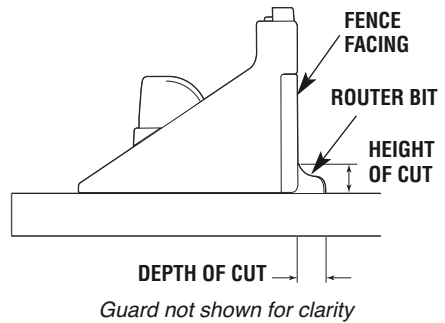
If you are using a wet/dry vac, it should be connected to the vacuum port on the back of the fence assembly.

1. Install the desired bit in the router.
2. Follow the instructions on page 23 to set the desired depth of cut and height of cut (Fig. 26). Make sure that the fence and router are SECURELY in place.
3. Position both fence faceplates (16) so that they clear the bit by 1/4".
4. Tighten the two clamping knobs and carriage bolts holding the faceplates (16) in place.
5. Position the featherboard (19), if desired. See ROUTING USING FEATHERBOARD on page 21.
6. Remove the board from the table (1) and make sure the overhead guard (15) is securely in place.

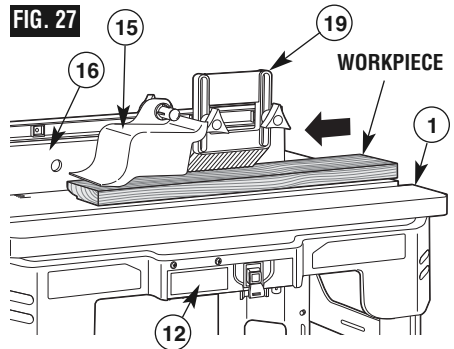
**NOTE:** When making adjustments, use a piece of scrap wood to make trial cuts before making the cut with the actual workpiece.

7. Make sure that both the router and switch box are OFF; then plug the router into the switch box (12).

**FIG. 26**



**FIG. 27**



8. While firmly holding a piece of scrap wood against the fence and down against the router table (1), feed a piece of scrap wood toward the bit in the direction shown by the arrow in Fig. 27.
9. Using the switch box (12), turn the router OFF. If any adjustments are needed, unplug the power cord and repeat steps 2–8 until all adjustments are correct. Once you are satisfied with all settings, make the cut with the actual workpiece.

# Router Table Operation

## EDGE CUTTING WITH PILOTTED ROUTER BITS (Figs. 28 and 29)

**⚠ WARNING** Disconnect the router from the power supply before making adjustments or changing accessories. Such precautionary safety measures reduce the risk of unintentional tool operation.

**NOTE:** If the outfeed shim plate is installed, remove it before proceeding.

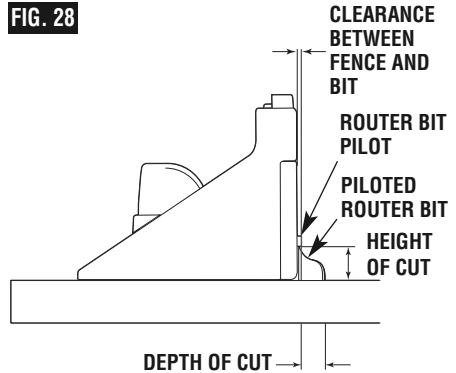
If you are using a wet/dry vac, it should be connected to the vacuum port on the back of the fence assembly.

1. Install the desired piloted bit in the router.
2. Follow the instructions on page 23 to set the desired height of cut (Fig. 28). Make sure that the router is securely in place.
3. Adjust the router table fence back just enough that the pilot on the router bit will control the depth of cut. The router bit pilot should just barely protrude past the fence faceplates (16). Tighten the fence clamping knobs **SECURELY**.
4. Position both fence faceplates (16) so that they clear the bit by 1/4".
5. Tighten the two clamping knobs and carriage bolts holding the fence faceplates (16) in place.
6. Remove the board from the table (1) and make sure the overhead guard (15) is securely in place.

**NOTE:** When making adjustments, use a piece of scrap wood to make trial cuts before making the cut with the actual workpiece.

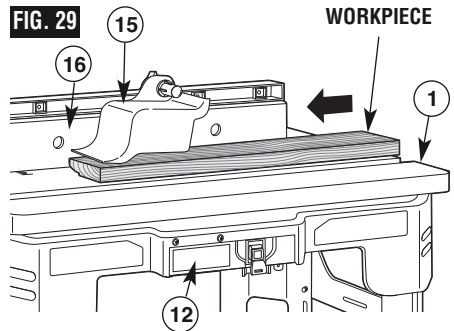
7. Make sure that both the router and switch box are OFF; then plug the router into the switch box (12).

**FIG. 28**



*Guard not shown for clarity*

**FIG. 29**



8. While firmly holding a piece of scrap wood against the fence faceplate (16) and down against the router table (1), feed a piece of scrap wood toward the bit in the direction shown by the arrow in Fig. 29.
9. Using the switch box (12), turn the router OFF. If any adjustments are needed, unplug the power cord and repeat steps 2–8 until all adjustments are correct. Once you are satisfied with all settings, make the cut with the actual workpiece.

# Router Table Operation

## GROOVING, FLUTING, AND VEINING (Figs. 30 and 31)

**⚠ WARNING** Disconnect the router from the power supply before making adjustments or changing accessories. Such precautionary safety measures reduce the risk of unintentional tool operation.

**NOTE:** If the outfeed shim plate is installed, remove it before proceeding.

When performing these routing operations, it is recommended to use the featherboard.

For best results and maximum accuracy, the side of the workpiece that will be against the fence must be square and straight.

If you are using a wet/dry vac, it should be connected to the vacuum port on the back of the fence assembly.

1. Install the desired end-cutting bit in the router.

2. Follow the instructions on page 23 to set the desired depth of cut (location of cut) and height of cut (Fig. 30). Make sure that the fence and router are securely in place.

**IMPORTANT:** For deep cuts, do not try to cut the total depth (controlled by the router bit height) all in one pass. Repeat the cut, taking smaller cuts until the desired depth is reached.

3. Position both fence faceplates (16) so that they provide continuous support of the workpiece.

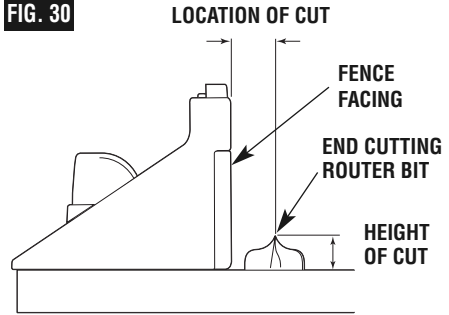
4. Tighten the two clamping knobs and carriage bolts holding the fence faceplates (16) in place.

5. Position the featherboard (19), if desired. See ROUTING USING FEATHERBOARD on page 21.

6. Remove the board from the table (1) and make sure the overhead guard (15) is securely in place.

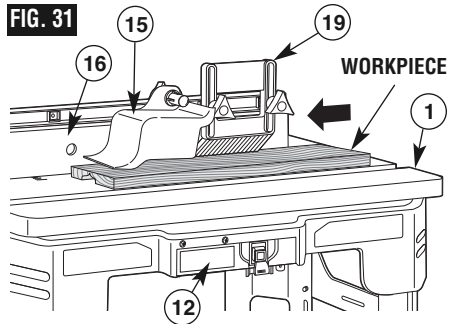
**NOTE:** When making adjustments, use a piece of scrap wood to make trial cuts before making the cut with the actual workpiece.

**FIG. 30**



Guard not shown for clarity

**FIG. 31**



7. Make sure that both the router and switch box (12) are OFF; then plug the router into the switch box (12).

8. While firmly holding a piece of scrap wood against the fence faceplate (16) and down against the router table (1), feed a piece of scrap wood toward the bit in the direction shown by the arrow in Fig. 31.

9. Using the switch box (12), turn the router OFF. If any adjustments are needed, unplug the power cord and repeat steps 2–8 until all adjustments are correct. Once you are satisfied with all settings, make the cut with the actual workpiece.

## Router Table Operation

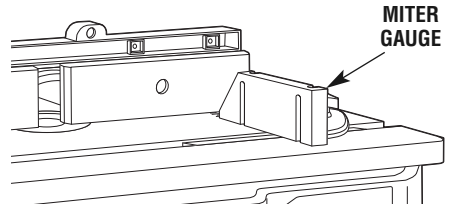
### USING A MITER GAUGE (Fig. 32)

The miter gauge slot will accommodate most stationary table saw miter gauges that measure 3/4" wide x 3/8" deep.

**NOTE:** For ALL routing operations requiring the use of the miter gauge with the fence, **BE SURE** to align the fence using the scales on the top of the router table before making any cuts. Miters can be cut by loosening the knob on the protractor head, turning the protractor head up to 60° in either direction, and retightening the protractor head knob.

Make a test pass with a scrap piece of wood before making a cut to be sure the fence is properly aligned. Adjust as required and fasten the fence securely before making the cut.

**FIG. 32**



*Guard not shown for clarity*

## Table des Matières

CONSIGNES DE SÉCURITÉ IMPORTANTES .....	29–34
Liste des pièces .....	35–37

Assemblage de la table à toupie . . .	38–43
Fonctionnement de la table à toupie .....	44–56

## Consignes de sécurité générales concernant les outils électriques



### AVERTISSEMENT

**Vous devez lire et comprendre toutes les instructions.** Le non-respect, même partiel, des instructions ci-après entraîne un risque de blessures graves.

## CONSERVEZ CES INSTRUCTIONS

### Aire de travail

Veillez à ce que l'aire de travail soit propre et bien éclairée. Le désordre et le manque de lumière favorisent les accidents.

**N'utilisez pas d'outils électriques dans une atmosphère explosive, par exemple en présence de liquides, de gaz ou de poussières inflammables.** Les outils électriques créent des étincelles qui pourraient enflammer les poussières ou les vapeurs.

**Tenez à distance les curieux, les enfants et les visiteurs pendant que vous travaillez avec un outil électrique.** Ils pourraient vous distraire et vous faire faire une fausse manœuvre.

### Sécurité électrique

**Les outils avec mise à la terre doivent être branchés sur une prise installée correctement et reliée à la terre conformément à toutes les normes et décrets. N'enlevez jamais la fiche de terre et ne modifiez jamais la prise.**

**N'utilisez jamais d'adaptateur de prise. Si vous n'êtes pas sûr que votre prise est correctement reliée à la terre, consultez un électricien.** Si l'outil présente une avarie électrique ou tombe en panne, le circuit de terre sert de chemin à faible résistance pour conduire le courant et l'empêcher de passer à travers l'utilisateur. Un outil incorrectement relié à la terre risque de causer un choc électrique, des brûlures ou une électrocution. Les outils avec mise à la terre sont munis d'un cordon à trois fils et d'une prise à trois fiches. *Avant de brancher l'outil, assurez-vous que la tension de la prise correspond, à celle indiquée sur la plaque signalétique. N'utilisez pas d'outils prévus pour courant alternatif seulement avec une source de courant continu.*

**Les outils à double isolation sont équipés d'une fiche polarisée (une des lames est plus large que l'autre), qui ne peut se brancher que d'une seule façon dans une prise polarisée. Si**

**la fiche n'entre pas parfaitement dans la prise, inversez sa position; si elle n'entre toujours pas bien, demandez à un électricien qualifié d'installer une prise de courant polarisée. Ne modifiez pas la fiche de l'outil.** La double isolation  élimine le besoin d'un cordon d'alimentation à trois fils avec mise à la terre ainsi que d'une prise de courant mise à la terre. *Avant de brancher l'outil, assurez-vous que la tension de la prise correspond, à celle indiquée sur la plaque signalétique. N'utilisez pas d'outils prévus pour courant alternatif seulement avec une source de courant continu.*

**Évitez tout contact corporel avec des surfaces mises à la terre (tuyauterie, radiateurs, cuisinières, réfrigérateurs, etc.).** Le risque de secousse électrique est plus grand si votre corps est en contact avec la terre. Si l'utilisation de l'outil électrique dans un endroit humide est inévitable, un disjoncteur de fuite à la terre doit être utilisé pour alimenter votre outil. Des chaussures et des gants en caoutchouc d'électricien contribueront à accroître davantage votre sécurité personnelle.

**N'exposez pas les outils électriques à la pluie ou à l'eau.** La présence d'eau dans un outil électrique augmente le risque de secousse électrique.

**Ne maltraitez pas le cordon. Ne transportez pas l'outil par son cordon et ne débranchez pas la fiche en tirant sur le cordon. N'exposez pas le cordon à la chaleur, à des huiles, à des arêtes vives ou à des pièces en mouvement. Remplacez immédiatement un cordon endommagé.** Un cordon endommagé augmente le risque de secousse électrique.

**Lorsque vous utilisez un outil électrique à l'extérieur, employez une rallonge pour l'extérieur marqué « W-A » ou « W ».** Ces cordons sont faits pour être utilisés à l'extérieur et réduisent le risque de secousse électrique. Reportez-vous aux « Information important au sujet des cordons de rallonge ».

## Sécurité des personnes

**Restez alerte, concentrez-vous sur votre travail et faites preuve de jugement. N'utilisez pas un outil électrique si vous êtes fatigué ou sous l'influence de drogues, d'alcool ou de médicaments.** Un instant d'inattention suffit pour entraîner des blessures graves.

**Laissez les gardes en place.** Gardez-les en place, en bon état et bien réglés.

**Méfiez-vous d'une mise en marche accidentelle. Avant de brancher l'outil, assurez-vous que son interrupteur est sur ARRÊT.** Le fait de transporter un outil avec le doigt sur la détente ou de brancher un outil dont l'interrupteur est en position MARCHE peut mener tout droit à un accident.

**Enlevez les clés de réglage ou de serrage avant de mettre en marche l'outil.** Une clé laissée dans une pièce tournante de l'outil peut provoquer des blessures.

**Ne vous penchez pas trop en avant. Maintenez un bon appui et restez en équilibre tout le temps.** Une bonne stabilité vous permet de mieux réagir à une situation inattendue.

**Portez toujours des lunettes de sécurité (protection de la tête).** Portez des lunettes de sécurité (conformes à la norme ANSI Z87.1). Portez des souliers de travail non dérapants et un casque, si nécessaire. Portez également un masque facial ou à poussière si l'opération de coupe soulève de la poussière, et des protecteurs d'oreille (bouchons ou casque) si vous utilisez votre instrument longtemps.

### Utilisation et entretien des outils

**Immobilisez le matériau sur une surface stable au moyen de brides ou de toute autre façon adéquate.** Le fait de tenir la pièce avec la main ou contre votre corps offre une stabilité insuffisante et peut amener un dérapage de l'outil.

**Ne forcez pas l'outil. Utilisez l'outil approprié à la tâche.** L'outil correct fonctionne mieux et de façon plus sécuritaire. Respectez aussi la vitesse de travail qui lui est propre.

**N'utilisez pas un outil si son interrupteur est bloqué.** Un outil que vous ne pouvez pas commander par son interrupteur est dangereux et doit être réparé.

**Débranchez la fiche de l'outil avant d'effectuer un réglage, de changer d'accessoire ou de ranger l'outil.** De telles mesures préventives de sécurité réduisent le risque de mise en marche accidentel de l'outil.

**Laissez les gardes en place.** Gardez-les en place, en bon état et bien réglés.

**Rangez les outils hors de la portée des enfants et d'autres personnes inexpérimentées.** Les outils sont dangereux dans les mains d'utilisateurs novices.

**Ne laissez pas fonctionner l'outil sans surveillance.** Assurez-vous que l'outil est complètement arrêté AVANT DE VOUS ÉLOIGNER.

**Prenez soin de bien entretenir les outils. Les outils de coupe doivent être toujours bien affûtés et propres.** Des outils bien entretenus, dont les arêtes sont bien tranchantes, sont moins susceptibles de coincer et plus faciles à diriger. Toute altération ou modification constitue un usage erroné et peut causer un danger.

**Soyez attentif à tout désalignement ou coincement des pièces en mouvement, à tout bris ou à toute autre condition préjudiciable au bon fonctionnement de l'outil. Si vous constatez qu'un outil est endommagé, faites-le réparer avant de vous en servir.** De nombreux accidents sont causés par des outils en mauvais état. Élaborez un calendrier d'entretien périodique de votre outil.

**N'utilisez que des accessoires que le fabricant recommande pour votre modèle d'outil.** Certains accessoires peuvent convenir à un outil, mais être dangereux avec un autre.

### Réparation

**La réparation des outils électriques doit être confiée à un réparateur qualifié.** L'entretien ou la réparation d'un outil électrique par un amateur peut avoir des conséquences graves. Ainsi, des fils internes peuvent être mal placés ou pincés, des ressorts de rappel de garde peuvent être montés erronément.

**Pour la réparation d'un outil, n'employez que des pièces de rechange d'origine.** L'emploi de pièces non autorisées ou le non-respect des instructions d'entretien peut créer un risque de secousse électrique ou de blessures. Certains agents nettoyants tels qu'essence, tétrachlorure de carbone, ammoniac, etc., peuvent abîmer les pièces en plastique.

## Consignes de sécurité supplémentaires pour les tables à toupie

**Ne soulevez la table à toupie que par ses bords.** Si vous soulevez la table par toute autre surface, il pourrait en résulter des blessures corporelles.

**Veillez toujours faire tourner l'assemblage des pieds par leur extrémité. Gardez vos doigts à l'écart des charnières.** Ceci vous permet d'éviter les points de pincement.

**Ne faites jamais tourner l'assemblage des pieds avant qu'ils ne soient en position déverrouillée.** Ceci évitera tout dommage aux

pieds ou aux boîtiers de la table. Votre table peut s'effondrer si les pieds ou les boîtiers de la table sont cassés.

**N'utilisez pas la table à toupie avant que toutes les étapes de montage et d'installation n'aient été effectuées.** Avant chaque utilisation, vérifiez que les attaches et les pinces de maintien de la toupie soient bien serrées. Une table ou une toupie desserrée est instable et peut se déplacer pendant l'utilisation, ce qui peut provoquer des dommages à la propriété ou des blessures corporelles graves.

## Consignes de sécurité supplémentaires pour les tables à toupie

**Avant d'utiliser une toupie sur une table à toupie, assurez-vous que les pieds de la table sont complètement dépliés et verrouillés et que l'ensemble (table à toupie et toupie) est placé sur une surface pleine, plane et de niveau qui ne risque pas de se renverser.** De telles mesures de sécurité préventives réduisent le risque d'un déplacement inattendu de la table pendant son utilisation, ce qui peut provoquer des dommages à la propriété ou des blessures corporelles graves.

**Débranchez la toupie de l'alimentation électrique avant d'installer cette toupie sur la table, d'effectuer des réglages, de changer d'accessoires, de retirer la toupie de la table, d'effectuer la maintenance ou encore lors du rangement de l'outil.** De telles mesures de sécurité préventives réduisent le risque d'une mise en marche involontaire de l'outil.

**Ne branchez pas le cordon d'alimentation du moteur de la toupie dans une prise murale standard. Le cordon d'alimentation de la toupie doit toujours être branché à la boîte de commutation de la table à toupie.** Les interrupteurs et commandes des outils électriques doivent être à votre portée en cas d'urgence.

**Vos doigts ne doivent pas toucher les bornes de la fiche lorsque vous branchez ou débranchez celle-ci de la prise.**

**Avant de connecter votre toupie ou votre aspirateur à la boîte de commutation de la table à toupie, assurez-vous que l'aspirateur est éteint et que la boîte de commutation de la table à toupie est débranchée.** De telles mesures de sécurité préventives réduisent le risque d'une mise en marche involontaire de l'outil.

**Avant d'utiliser votre table à toupie, vérifiez que la toupie est correctement fixée à la base de la table à toupie. Lorsque vous travaillez, vérifiez périodiquement le serrage de la fixation de la base de la toupie.** Les fixations du moteur peuvent se desserrer à cause des vibrations causées par les opérations de coupe et le moteur de la toupie peut se détacher de la table à toupie.

**Avant de commencer à travailler, assurez-vous que les cordons d'alimentation des accessoires de toupie et de la boîte de commutation ainsi que la rallonge ne sont pas et ne peuvent pas entrer en contact avec la toupie ou toute pièce rotative de la toupie.** De telles mesures de sécurité préventives réduisent le risque de blessure par perte de contrôle.

**N'utilisez pas la table à toupie sans le garde supérieur sauf si le retrait du garde est requis pour une opération de coupe particulière. Remettez le garde en place immédiatement après avoir terminé l'opération de coupe. Retirez toute poussière, copeau de bois et**

**autre particule étrangère qui peut affecter son efficacité.** Le garde permet d'éviter le contact accidentel des mains avec la fraise en rotation.

**N'utilisez pas de fraise ayant un diamètre de coupe supérieur au trou de dégagement de la plaque amovible ou de la bague amovible du plateau de la table.** La fraise pourrait toucher la plaque ou la bague amovible et projeter des fragments.

**N'utilisez jamais de fraise émoussée ou endommagée.** Les fraises endommagées peuvent se casser pendant l'utilisation. Les fraises émoussées nécessitent davantage de force pour pousser la pièce à travailler, ce qui peut causer la rupture de la fraise ou le rebond du matériau.

**Manipulez les fraises acérées avec précaution.** De telles mesures de sécurité préventives réduisent le risque de blessure.

**Ne modifiez pas le trou de fraise de la plaque ou de la bague amovible. Faites correspondre le diamètre de coupe de la fraise avec le diamètre interne de la bague ou plaque amovible de façon à ce que la différence soit inférieure à 1/16 po sur un côté.** Les bagues amovibles sont utilisées pour réduire l'espace entre le diamètre de coupe d'une fraise et la table pour que les pièces à travailler reposent entièrement sur la table lors du touillage.

**Installez la fraise conformément aux instructions données dans le manuel d'utilisation de la toupie. Attachez fermement la fraise dans le mandrin à pince avant de couper.** Le fait de fixer correctement la fraise avant toute coupe réduit le risque que la fraise ne se desserre pendant son utilisation.

**Ne placez jamais vos doigts près d'une fraise en rotation ou sous le garde lorsque la toupie est branchée.** De telles mesures de sécurité préventives réduisent le risque de blessure.

**Ne tenez jamais la pièce à travailler du côté sortie de la fraise.** Le fait de pousser la pièce contre le côté sortie du guide peut provoquer le bourrage du matériau et un rebond potentiel qui pourrait entraîner votre main vers la fraise.

**Utilisez le guide pour guider la pièce à travailler et pour garder le contrôle de cette même pièce. Ne placez pas la pièce entre la fraise et le guide lorsque vous touillez le bord de la pièce.** Ce positionnement peut provoquer un coincement du matériau et un risque de rebond.

**Les toupies sont conçues pour travailler le bois, les matières semblables au bois, le plastique ou les matières laminées. N'utilisez pas la toupie et la table à toupie pour découper ou façonner des pièces métalliques. Assurez-vous que la pièce ne contient pas de clou ou autre objet dur.** Le découpage de clou peut entraîner la perte de contrôle de l'outil ou de la pièce.

## Consignes de sécurité supplémentaires pour les tables à toupie

**Ne démarrez jamais l'outil lorsque la fraise est engagée dans le matériau.** Le bord tranchant de la fraise peut accrocher le matériau et entraîner la perte de contrôle de la pièce à travailler.

**Avancez la pièce à travailler seulement dans le sens opposé à la rotation de la fraise. Ne faites pas revenir la pièce vers la fraise.** Vu depuis le dessus de la table, la fraise tourne dans le sens inverse des aiguilles d'une montre. Si la pièce revient vers la fraise, elle peut « monter » sur la fraise, ce qui entraînera la pièce à travailler et potentiellement votre main vers la fraise en rotation.

**Ne faites pas avancer votre pièce à travailler vers la fraise si la majorité de la pièce se trouve entre le guide et la fraise.** Ceci crée un coincement contre le guide qui provoque une situation dangereuse avec la fraise exposée. La pièce peut alors être poussée de la table et peut entraîner une perte de contrôle pendant la coupe.

**Ne coupez pas les matériaux déformés, branlants ou autrement instables. La table à toupie est conçue pour découper des pièces planes, droites et perpendiculaires. Si le matériau est stable mais légèrement courbé, coupez-le avec le côté concave placé contre la table ou le guide.** Le fait de couper le matériau avec le côté concave vers le haut ou en direction opposée à la surface d'appui peut provoquer une perte de contrôle suite au roulement et au rebond du matériau déformé ou instable.

**Utilisez des supports auxiliaires d'entrée et de sortie pour les pièces longues ou larges.** Les pièces de grandes dimensions qui ne sont pas soutenues correctement peuvent tomber de la table ou faire basculer cette dernière.

**Utilisez des poussoirs, des guides biseautés montés à la verticale et à l'horizontale et autres serre-joints pour maintenir la pièce.** Ces poussoirs, guides biseautés et serre-joints éviteront que les mains ne se trouvent à proximité de la fraise pour tenir la pièce.

**Ne lâchez jamais la pièce à travailler pendant le touillage avant que la coupe ne soit terminée et que la pièce à travailler ne soit complètement dégagée de la fraise.** De telles mesures de sécurité préventives réduisent le risque de blessure et de dommages à la propriété. Les guides biseautés permettent de maintenir la pièce à travailler en position lors du touillage sur une table à toupie. Ils ne sont pas conçus pour maintenir, à eux seuls, la pièce à travailler lorsque cette pièce entre en contact avec la fraise ou à tout autre moment où la fraise est en rotation.

**Veillez toujours maintenir la pièce à travailler contre le guide lorsque vous touillez.** De telles mesures de sécurité préventives augmentent la précision du touillage et améliorent le contrôle de la pièce à travailler, réduisant ainsi le risque de blessure.

**Ne laissez jamais la toupie sans surveillance si elle est en marche ou si elle n'est pas complètement arrêtée.** De telles mesures de sécurité préventives réduisent le risque de blessure et de dommages à la propriété.

**N'utilisez pas la table comme établi ou plan de travail.** En utilisant votre table pour tout autre but que de touiller, vous risquez de l'endommager et de rendre son utilisation dangereuse.

**Ne montez jamais sur la table et ne l'utilisez jamais comme une échelle ou un échafaudage.** La table pourrait basculer ou l'outil de coupe pourrait être accidentellement touché.

**Lorsque vous effectuez l'entretien de votre outil, n'utilisez que des pièces de rechange recommandées par SKIL. Veuillez suivre les instructions dans la section Maintenance de ce manuel.** L'utilisation de pièces non autorisées ou le non-respect des consignes de maintenance peut provoquer des blessures corporelles.

**Les travaux à la machine tel que ponçage, sciage, meulage, perçage et autres travaux du bâtiment peuvent créer des poussières contenant des produits chimiques qui sont des causes reconnues de cancer, de malformation congénitale ou d'autres problèmes reproductifs. Ces produits chimiques sont, par exemple :**

- Le plomb provenant des peintures à base de plomb
- Les cristaux de silices provenant des briques, du ciment, et d'autres produits de maçonnerie
- L'arsenic et le chrome provenant des bois traités chimiquement

Le niveau de risque dû à cette exposition varie avec la fréquence de ces types de travaux. Pour réduire l'exposition à ces produits chimiques, il faut travailler dans un lieu bien ventilé et porter un équipement de sécurité approprié tel que certains masques à poussière conçus spécialement pour filtrer les particules microscopiques.

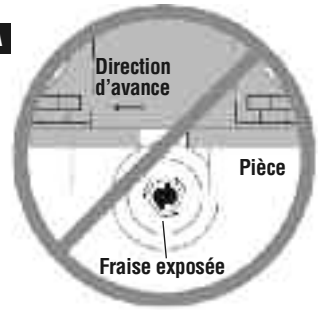


## Positionnement du guide et sens d'avance incorrects

**AVERTISSEMENT** Ne faites pas avancer votre pièce à travailler vers la fraise si la majorité de la pièce se trouve entre le guide et la fraise. Ceci crée un « coincement du guide » qui est dangereux pour deux raisons :

- Le devant de la fraise est exposé lors de la coupe (Fig. A).
- La fraise peut monter où la fraise pénètre dans la pièce à travailler dans la même direction que la direction d'engagement. La pièce peut alors être poussée de la table et peut entraîner une perte de contrôle pendant la coupe (Fig. A).

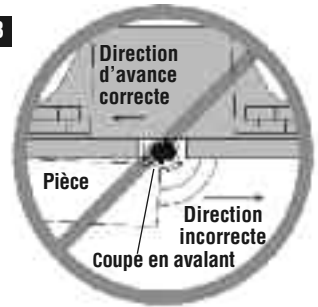
FIG. A



**AVERTISSEMENT** Avancez la pièce à travailler seulement dans le sens opposé à la rotation de la fraise. Ne faites pas revenir la pièce à travailler dans la fraise. Vu depuis le dessus de la table, la fraise tourne dans le sens inverse des aiguilles d'une montre. Le retour de la pièce vers la fraise est dangereux pour deux raisons :

- Elle peut « monter » sur la fraise où la pièce à travailler est poussée de la surface de la table dans la direction de la rotation de la fraise, ce qui entraînera la pièce à travailler et potentiellement vos mains vers la fraise en rotation (Fig. B).
- Il est difficile de maintenir la pièce à travailler contre le guide parce que la rotation de la fraise tendrait à l'en éloigner.

FIG. B



## Information importante au sujet des cordons rallonges

**AVERTISSEMENT** Une rallonge avec des conducteurs de dimensions adéquates pouvant supporter le courant nécessaire à votre outil doit être utilisée. Ceci préviendra une baisse excessive de tension, une perte de courant ou une surchauffe. Les outils mis à la terre doivent être utilisés avec des rallonges à 3 brins pourvues de fiches et de prises à trois broches.


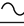
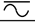




**REMARQUE** : Plus le calibre est petit, plus le fil est gros.

### CALIBRES DE CORDONS RALLONGES RECOMMANDÉS OUTILS 120 VOLTS COURANT ALTERNATIF

Intensité nominale de l'outil	Calibre A.W.G.				Calibre en mm <sup>2</sup>			
	Longueur en pieds				Longueur en mètres			
	25	50	100	150	15	30	60	120
3-6	18	16	16	14	0,75	0,75	1,5	2,5
6-8	18	16	14	12	0,75	1,0	2,5	4,0
8-10	18	16	14	12	0,75	1,0	2,5	4,0
10-12	16	16	14	12	1,0	2,5	4,0	—
12-16	14	12	—	—	—	—	—	—

# Symboles

**IMPORTANTE** : Certains des symboles suivants peuvent être utilisés sur votre outil. Veuillez les étudier et apprendre leur signification. Une interprétation appropriée de ces symboles vous permettra d'utiliser l'outil de façon plus efficace et sécuritaire.


Symbole	Nom	Désignation/Explication
V	Volts	Tension (potentiel)
A	Ampères	Courant
Hz	Hertz	Fréquence (cycles par seconde)
W	Watt	Puissance
kg	Kilogrammes	Poids
min	Minutes	Temps
s	Secondes	Temps
∅	Diamètre	Taille des fraises, des meules, etc.
$n_0$	Vitesse à vide	Vitesse de rotation, à vide
.../min	Révolutions ou mouvements par minute	Révolutions, courses, vitesse périphérique, alternatifs par minute orbites, etc.
0	Position d'arrêt	Vitesse zéro, couple zéro ...
1, 2, 3, ... I, II, III,	Réglages du sélecteur	Réglages de vitesse, de couple ou de position. Un nombre plus élevé correspond à une vitesse plus élevée
	Sélecteur variable à l'infini	La vitesse augmente depuis le réglage 0 avec arrêt
	Flèche	Action dans la direction de la flèche
	Courant alternatif	Type ou caractéristique du courant
	Courant continu	Type ou caractéristique du courant
	Courant alternatif ou continu	Type ou caractéristique du courant
	Construction classe II	Désigne des outils de construction à double isolation
	Borne de terre	Borne de mise à la terre
	Symbole d'avertissement	Attire l'attention de l'utilisateur sur les messages d'avertissement
	Sceau Ni-Cad RBRC	Désigne le programme de recyclage des piles Ni-Cad



Ce symbole indique que les composants de cet outil sont reconnus par le Underwriters Laboratory comme conformes aux normes canadiennes.

## Liste des pièces

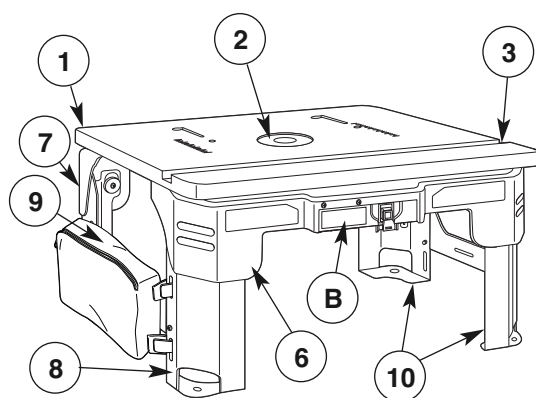
Reportez-vous à la liste des pièces ci-dessous et aux pages 36 et 37.

-  **AVERTISSEMENT** Si une (ou plusieurs) pièce est manquante, QUELLE QU'ELLE SOIT, n'essayez pas de monter, installer ou utiliser votre table à toupie tant que la pièce manquante n'a pas été trouvée ou remplacée, et votre table à toupie correctement assemblée conformément aux instructions de ce manuel.
- Pour les pièces manquantes ou l'assistance technique, appel 1-877-SKIL999 (1-877-754-5999).
- Votre table à toupie est livrée démontée afin de simplifier la manutention et réduire les risques de dommages lors du transport.
- Pour vous assurez que toutes les pièces ont été incluses, séparez chaque pièce du matériel d'emballage et comparez-la à son illustration et à sa description dans la liste des pièces figurant à la fin de ce manuel. Faites cette vérification avant de jeter tout matériel d'emballage.

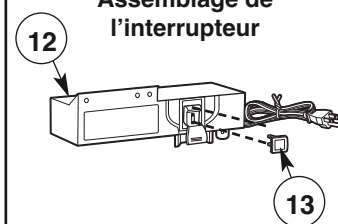
No rep.	Description	Quantité
<b>A</b>	<b>COMPOSANTS DE L'ASSEMBLAGE DE LA TABLE À TOUPIE (expédiés pré-assemblés)</b>	
1	Surface de la table à toupie	1
2	Plaque rapportée	1
3	Canal du guide d'onglet en acier (inclut 3 vis n°10-32 x 7/8 po, élément 28)	1
4	Support de montage de la toupie (non représenté)	4
5	Petite poignée étoile de serrage (non représenté)	4
6	Boîtier avant de la table	1
7	Boîtier arrière de la table	1
8	Assemblage pied gauche escamotable en acier	1
9	Mallette de stockage	1
10	Assemblage pied droit escamotable en acier	1
11	Jeu de bagues amovibles	1
11A	Bague amovible avec un trou de diamètre 1/2 po	1
11B	Bague amovible avec un trou de diamètre 3/4 po	1
11C	Bague amovible avec un trou de diamètre 1 po	1
11D	Bague amovible avec un trou de diamètre 1¼ po	1
11E	Bague amovible avec un trou de diamètre 1½ po	1
<b>B</b>	<b>COMPOSANTS DE LA BOÎTE DE COMMUTATION</b>	
12	Boîte de commutation (avec clé de verrouillage)	1
13	Clé de verrouillage (pièce de rechange)	1
<b>C</b>	<b>COMPOSANTS DE L'ASSEMBLAGE DU GUIDE (expédiés pré-assemblés)</b>	
14	Guide de la table à toupie	1
15	Assemblage du garde (inclut l'espaceur)	1
16	Parement du guide	2
17	Cale de sortie (peut être fixée du côté de la sortie du guide)	1
18	Bouton de serrage	7
19	Guide biseauté	1
<b>D</b>	<b>COMPOSANTS DE L'ASSEMBLAGE DU GUIDE D'ONGLET</b>	
20	Barre à ongles	1
21	Rapporteur	1
22	Petit bouton de serrage	1
	<b>COMPOSANTS NON REPRÉSENTÉS</b>	
23	Consignes d'utilisation/sécurité	1

# Liste des pièces

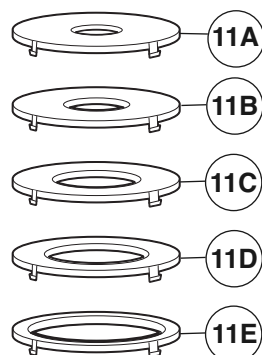
## Composants de l'assemblage de la table à toupie



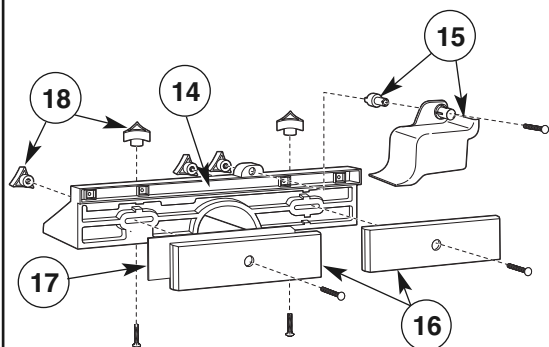
## Assemblage de l'interrupteur



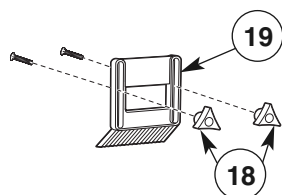
## Bagues amovibles



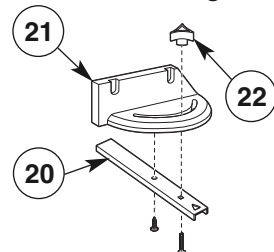
## Composants du guide



## Guide biseauté



## Guide d'onglet



## Liste des pièces

No rep.	Description	Quantité
<b>ATTACHES DIVERSES (installées ou en sachet)</b>		
24	Écrou "KEPS" n°10-32	13
25	Rondelle plate n°10-32	4
26	Vis autotaraudeuse à tête ronde n°10-16 x 1/2 po	5
27	Vis à bois à tête plate n°6 x 5/8 po	2
28	Vis à tête fraisée n°10-32 x 7/8 po	3
29	Boulon de carrosserie n°10-24 x 3/4 po	1
30	Vis à tête bombée large n°10-32 x 5/8 po	17
31	Vis à tête bombée large n°10-32 x 2½ po	4
32	Boulon de carrosserie 1/4-20 x 1¾ po	6
33	Boulon de carrosserie 1/4-20 x 2½ po	1

### Attaches diverses



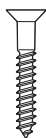
(24) Écrou "KEPS"  
n°10-32



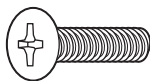
(25) Rondelle plate n°10-32



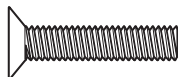
(26) Vis autotaraudeuse à tête  
ronde n°10-16 x 1/2 po



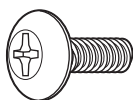
(27) Vis à bois à tête plate  
n°6 x 5/8 po



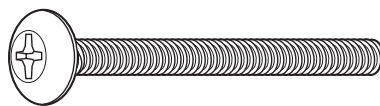
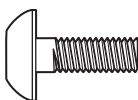
(28) Vis à tête fraisée  
n°10-32 x 7/8 po



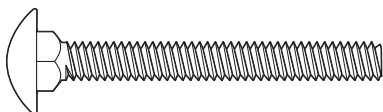
(29) Boulon de carrosserie  
n°10-24 x 3/4 po



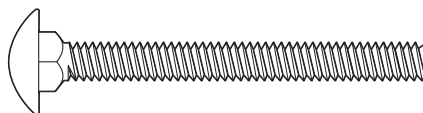
(30) Vis à tête bombée large  
n°10-32 x 5/8 po



(31) Vis à tête bombée large  
n°10-32 x 2½ po



(32) Boulon de carrosserie  
1/4-20 x 1¾ po



(33) Boulon de carrosserie 1/4-20 x 2½ po

## Assemblage de la table à toupie

### PRÉPARATION À L'UTILISATION DE LA TABLE À TOUPIE

**⚠ AVERTISSEMENT** Ne soulevez la table à toupie que par ses bords. Si vous soulevez la table par toute autre surface, il pourrait en résulter des blessures corporelles.

#### OUTILS UTILES À AVOIR À PORTÉE DE MAIN

- Tournevis Phillips cruciforme n°1 et n°2 (non fournis)
- Clé ou tournevis à douille 3/8 po (non fournis)

#### DÉPLIAGE ET VERROUILLAGE DES PIEDS (Figs. 1 et 2)

1. Soulevez délicatement la table à toupie et placez-la à l'envers sur sa surface (1).
2. Tirez doucement l'assemblage des deux pieds (8 et 10) vers le centre de la table jusqu'à ce que les pieds soient en position déverrouillée comme indiqué en Fig. 1.

**⚠ AVERTISSEMENT** Veuillez toujours faire tourner l'assemblage des pieds par leur extrémité. Gardez vos doigts à l'écart des charnières. Ceci vous permet d'éviter les points de pincement.

**⚠ AVERTISSEMENT** Ne faites jamais tourner les pieds sans que les languettes de verrouillages ne soient complètement désengagées. Ceci évitera tout dommage aux languettes de verrouillage ou aux boîtiers de la table.

3. Après avoir déverrouillé les assemblages des pieds (8 et 10), faites-les tourner jusqu'à ce qu'ils soient en position complètement verticale. (Voir Fig. 2.)
4. Appuyez doucement sur les deux pieds (8 et 10) pour engager et verrouiller les pieds droit et gauche dans la position verticale comme indiqué en Fig. 2.

FIG. 1

VERROUILLÉ (PIEDS GLISSÉS VERS L'EXTÉRIEUR)      DÉVERROUILLÉ (PIEDS GLISSÉS VERS LE CENTRE)

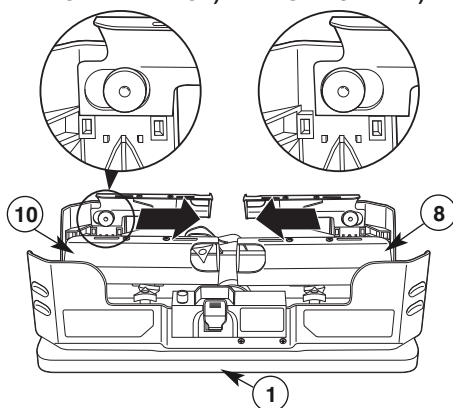
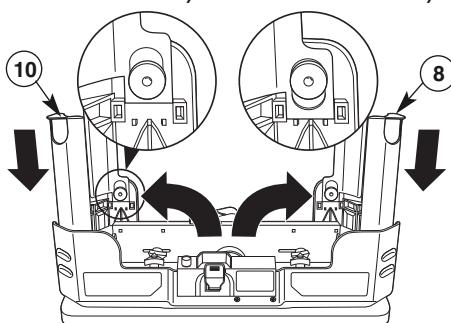


FIG. 2

DÉVERROUILLÉ (PIEDS ÉCARTÉS DE LA TABLE)      VERROUILLÉ (PIEDS RAMENÉS VERS LA TABLE)

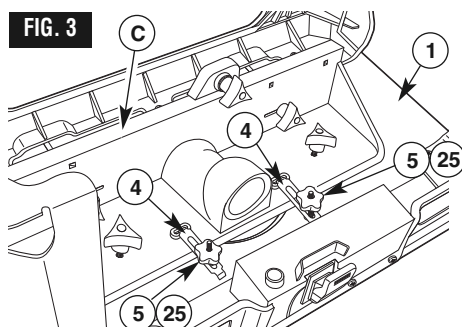


# Assemblage de la table à toupie

## RETRAIT DE L'ASSEMBLAGE DU GUIDE (Fig. 3)

Le guide de votre table à toupie est livré entièrement assemblé avec le guide d'assemblage réglable et le garde déjà mis en place. L'assemblage du guide est fixé au bas de la table pour l'expédition et le stockage.

1. Desserrez les deux petits poignées étoile de serrage (5), les rondelles (25) et les supports de montage (4) fixant l'assemblage du guide (C) au bas de la table à toupie. Retirez l'assemblage du guide (C) de la position de stockage sous la table (1) et mettez-le de côté. (Voir Fig. 3.)



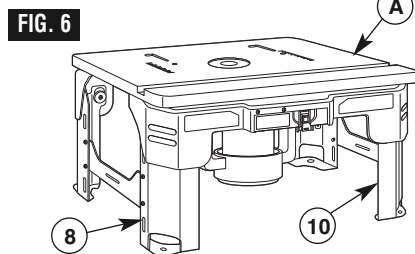
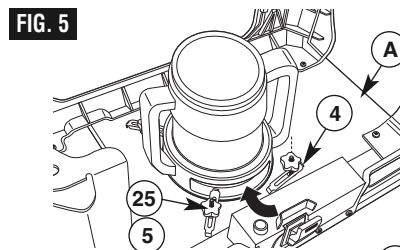
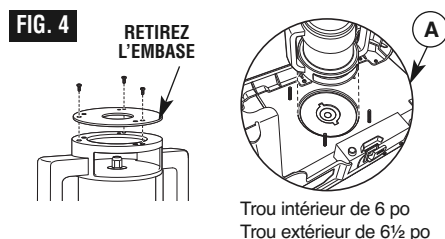
**REMARQUE :** La cale peut être rangée du côté sortie de l'assemblage du guide.

## MONTAGE DE LA TOUPIE SUR LA TABLE À TOUPIE (Figs. 4-6)

Le bas de la table à toupie est équipé de deux fraises de guidage découpées dans le bas de la table permettant d'adapter la majorité des embases de toupie de 6 à 6½ po. Utilisez-les comme guide pour centrer votre toupie sur la table.

**AVERTISSEMENT** Débranchez la toupie de l'alimentation électrique avant d'installer la toupie sur la table. De telles mesures de sécurité préventives réduisent le risque d'une mise en marche involontaire de l'outil.

1. Retournez délicatement la table à toupie (A) et placez-la sur sa surface de travail. Assurez-vous que l'assemblage du guide (C) a été retiré de sa position de stockage.
2. Retirez l'embase en plastique de la toupie (Fig. 4). Stockez les vis et l'embase dans un endroit pratique.
3. Placez la toupie dans la fraisure appropriée comme indiqué en Fig. 4. (Les supports sont retirés pour plus de clarté.)
4. Installez la toupie en positionnant les quatre supports de montage (4) sur les bords du boîtier de la toupie et serrez les petites poignées étoile de serrage (5) et les rondelles (25) pour fixer la toupie au bas de la table (A). Assurez-vous que les poignées de serrage sont correctement serrées. (Voir Fig. 5.)



**AVERTISSEMENT** Avant d'utiliser votre table à toupie, vérifiez que la toupie est correctement fixée à la base de la table à toupie. Lorsque vous travaillez, vérifiez périodiquement le serrage de la fixation de la base de la toupie. Les vibrations du moteur de la toupie peuvent desserrer les fixations pendant l'utilisation, provoquant la chute de la toupie de la table.

**MISE EN GARDE** N'ajustez pas les vis à tête bombée large n°10-32 x 2½ po. Les vis sont préinstallées. La surface de la table à toupie peut être endommagée si vous serrez trop les vis.

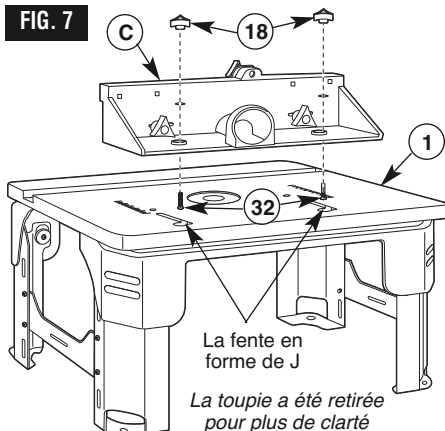
5. Retournez délicatement la table à toupie (A) et placez-la sur ses pieds (8 et 10). (Voir Fig. 6.) Référez-vous aux pages 40-42 pour des explications supplémentaires.

## Assemblage de la table à toupie

### INSTALLATION DE L'ASSEMBLAGE DU GUIDE (Fig. 7)

Le guide est livré assemblé. L'étape 1 se réfère au réassemblage, si nécessaire. Sinon, passez directement à l'étape 2 si le guide est déjà assemblé.

1. Par le dessous de la table, faites glisser deux boulons de carrosserie 1/4-20 x 1 3/4 po (32) par les trous dans le fond de l'assemblage du guide (C). Placez sans les serrer un bouton de serrage (18) sur chaque boulon. (Voir Fig. 7.)
2. Insérez les têtes de boulons de carrosserie (32) dans les fentes en forme de J de la surface de travail en s'assurant que les têtes de boulon se trouvent en dessous de la surface intérieure de la surface de travail et peuvent glisser librement dans la fente en forme de J.
3. Par l'arrière de la table, faites glisser l'assemblage du guide (C) vers la droite et dans la fente en forme de J en s'assurant qu'il puisse glisser librement de l'avant vers l'arrière.
4. Serrez les gros boutons de serrage (18) pour attacher l'assemblage du guide (C) dans la position désirée.

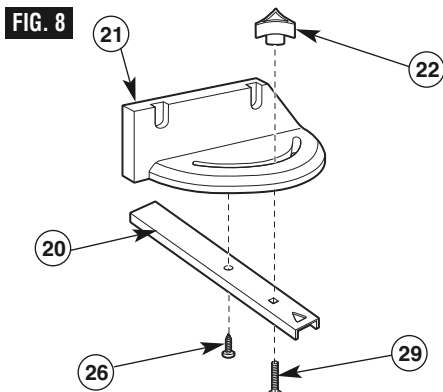


**REMARQUE :** Utilisez les graduations sur la surface de travail comme indication lorsque vous alignez le guide pour des opérations de toupillage. Lorsque le guide est correctement positionné et aligné, serrez **FERMEMENT** les boutons de serrage.

### MONTAGE DU GUIDE D'ONGLET (Fig. 8)

L'assemblage du guide d'onglet (D) est livré entièrement monté. Dans le cas contraire, utilisez les instructions suivantes pour le monter.

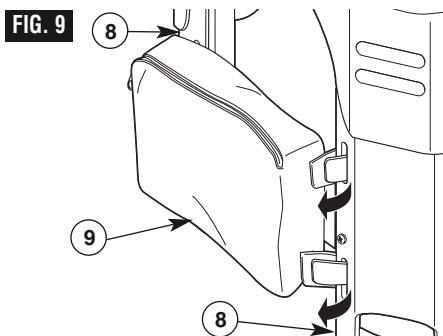
1. Vissez la vis Phillips autotaraudeuse de type BT 10-16 x 1/2 po (26) en la faisant passer par le trou rond de la barre à onglet (20) et en la faisant entrer dans la tête du rapporteur (21).
2. Serrez la vis de manière à ce que la tête de vis touche simplement la barre à onglet. La tête du rapporteur doit tourner facilement. Autrement, desserrez légèrement la vis.
3. Insérez le boulon de carrosserie n°10-24 x 3/4 po (29) dans le trou carré de la barre à onglet (20), faites-y glisser le guide d'onglet en le fixant à l'aide du petit bouton de serrage (22).



### MALETTE DE STOCKAGE (Fig. 9)

Une mallette de stockage en tissu (9) est fournie avec votre table à toupie (A). La mallette de stockage peut être soit installée sur l'extérieur ou l'intérieur de l'assemblage du pied gauche ou droit.

1. Détachez chaque bande autoagrippante fixée à la mallette de stockage (9).
2. Faites passer chaque bande par les fentes sur la droite ou la gauche de l'assemblage du pied (8 ou 10).
3. Fixez la mallette de stockage (9) à l'assemblage du pied (8 ou 10) en appuyant les bandes autoagrippantes les unes contre les autres.





# Assemblage de la table à toupie

## MONTAGE DE LA TABLE SUR UNE SURFACE DE TRAVAIL OU UN ÉTABLI

**AVERTISSEMENT** Avant de faire fonctionner la toupie sur la table à toupie, assurez-vous que les pieds de la table sont complètement dépliés et verrouillés. L'ensemble (table à toupie et toupie) est placé et fixé sur une surface solide, plane et de niveau qui ne basculera pas. De telles mesures de sécurité préventives réduisent le risque d'un déplacement inattendu de la table pendant son utilisation, ce qui peut provoquer des dommages à la propriété ou des blessures corporelles graves.

### OUTILS ET PIÈCES UTILES (non fournis)

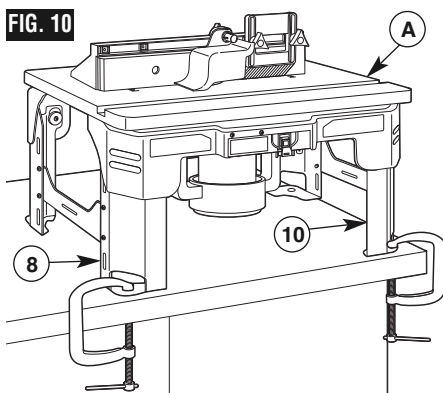
- Serre-joints

- Tournevis Phillips (cruciforme)
- Clé à molette de petite taille
- Perceuse électrique ou manuelle avec mèches (selon la méthode de montage utilisée)
- Visserie
  - Quatre (4) vis à tête ronde n°10-16 x 3/4 po et 4 rondelles (pour les surfaces ou les établis en bois massif)  
OU
  - Quatre (4) vis à métaux à tête tronconique 3/16 po, 8 rondelles et 4 écrous hexagonaux

### MÉTHODE 1 (Fig. 10)

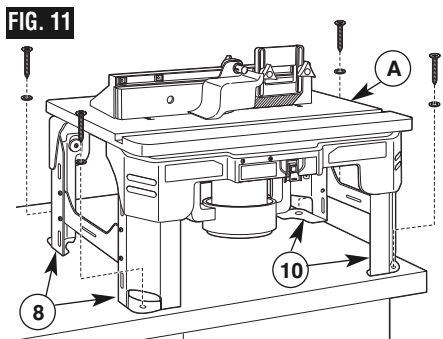
1. Placez la table à toupie (A) sur un établi ou toute autre surface stable et solide, l'AVANT (côté interrupteur) face à vous.
2. Fixez les pattes de la table à toupie à l'établi avec des serre-joints (8 et 10), en vous assurant de les serrer fermement.

**IMPORTANT** : Soyez sûr que l'emplacement des serre-joints ne nuira pas au fonctionnement de la table à toupie.



### MÉTHODE 2 (Fig. 11)

1. Placez la table à toupie (A) sur un établi ou une autre surface stable et solide, avec l'AVANT (côté interrupteur) de la table en face de vous.
2. Tout en tenant la table à la position voulue, marquez l'emplacement des huit trous de montage (deux à chaque pied [8 et 10]).
3. Enlevez la table à toupie (A) de l'établi et mettez-la de côté.
4. Percez des trous de guidage (pour les vis à bois) ou des trous débouchants (pour les vis de mécanique) appropriés aux endroits indiqués.
5. Placez la table (A) sur l'établi et alignez les trous de montage des pieds (8 et 10) de la table avec les trous percés dans l'établi.
6. Fixez la table à toupie (A) à l'aide des vis à bois et des rondelles (non fournies). Si vous utilisez



des vis à bois appliquez une mince couche de savon sur le filetage des vis pour qu'elles soient plus faciles à enfiler dans les trous de guidage.

7. SERREZ FERMEMENT toutes les vis.

## Assemblage de la table à toupie

### AUTRE MÉTHODE 2 (Figs. 12 et 13)

1. Dans une planche de 3/4 po d'épaisseur, découpez un panneau mesurant 18 1/4 po de largeur x 23 po de longueur.
2. Centrez la table à toupie (A) sur le panneau et marquez l'emplacement des huit trous de montage (deux à chaque pied [8 et 10]).
3. Enlevez la table à toupie (A) de l'établi et mettez-la de côté.
4. Percez des trous de guidage (pour les vis à bois) ou des trous débouchants (pour les vis de mécanique) appropriés aux endroits indiqués.
5. Placez la table (A) sur le panneau et alignez les trous de montage des pieds (8 et 10) de la table avec les trous percés dans l'établi.
6. Fixez la table (A) en place à l'aide des vis à bois. Appliquez un mince film de savon sur le filetage des vis pour faciliter le vissage dans les avant-trous.
7. Fixez le panneau sur un établi ou une autre surface solide et stable à l'aide de vis (Fig. 12) ou de serre-joints (Fig. 13) durant l'utilisation.

**IMPORTANT :** Soyez sûr que l'emplacement des serre-joints ne nuira pas au fonctionnement de la table à toupie.

FIG. 12

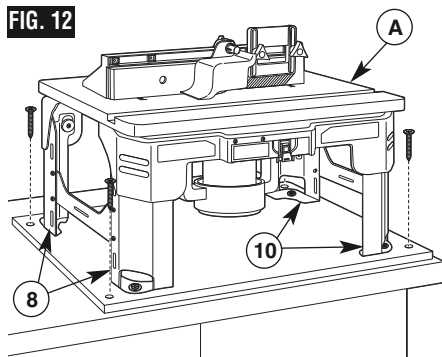
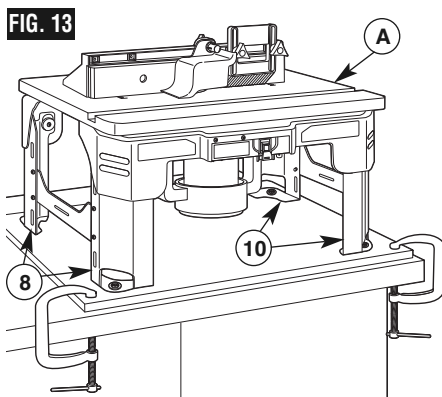


FIG. 13

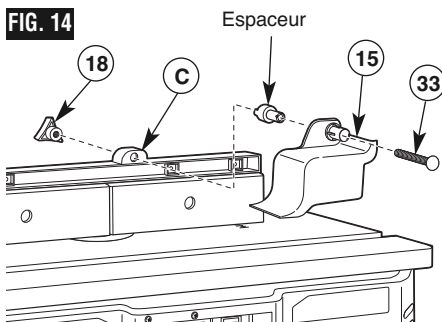


### ASSEMBLAGE DU GARDE (Fig. 14)

L'assemblage du garde (15) est livré pré-installé sur l'assemblage du guide. Il sera nécessaire de retirer ce garde pour certaines opérations de toupillage.

1. Desserrez et détachez le bouton de serrage (18) de la partie supérieure arrière de l'assemblage du guide (C).
2. Faites glisser le boulon de carrosserie 1/4-20 x 2 1/2 po (33), le garde (15) et l'espaceur de l'assemblage du guide (C).
3. Réinstallez l'assemblage du garde (15) en suivant ces étapes dans le sens inverse.

FIG. 14



## Assemblage de la table à toupie

### **AVERTISSEMENT** Débranchez la toupie de l'alimentation

électrique avant d'installer la toupie sur la table, d'effectuer des réglages, de changer d'accessoires, de retirer la toupie de la table, d'effectuer la maintenance ou encore lors du rangement de l'outil. De telles mesures de sécurité préventives réduisent le risque d'une mise en marche involontaire de l'outil.

### BAGUES DE DESSUS DE TABLE (Fig. 15)

Cette table à toupie (1) est livrée avec cinq bagues de dessus de table équipées de trous de tailles suivantes :

- (11A) 1/2 po de diamètre, pour fraises jusqu'à 3/8 po de diamètre
- (11B) 3/4 po de diamètre, pour fraises jusqu'à 5/8 po de diamètre
- (11C) 1 po de diamètre, pour fraises jusqu'à 7/8 po de diamètre
- (11D) 1 1/4 po de diamètre, pour fraises jusqu'à 1 1/8 po de diamètre
- (11E) 1 1/2 po de diamètre, pour fraises jusqu'à 1 3/8 po de diamètre

Aucune bague de dessus de table n'est requise pour les fraises de diamètres entre 1 1/2 po et 1 3/8 po.

### **AVERTISSEMENT** N'utilisez pas la table à toupie avec des

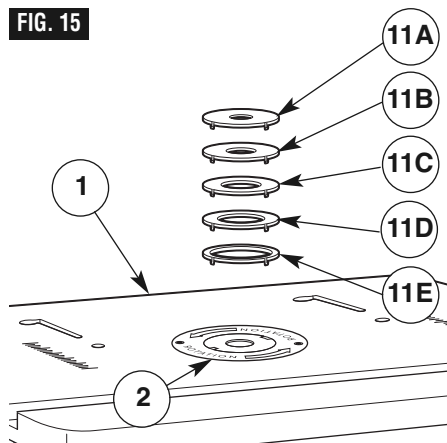
**fraises d'un diamètre supérieur à 1 3/8 po. Les fraises d'un diamètre supérieur à 1 3/8 po sont trop larges pour le trou de dégagement des bagues amovibles de la surface de la table.**

Les fraises de diamètre supérieur à 1 3/8 po pourraient toucher la plaque ou la bague amovible et projeter des fragments.

Ces cinq bagues de dessus de table sont fournies individuellement et se trouvent dans le sac de rangement. La bague doit s'insérer entièrement dans la surface de travail. Utilisez une petite lime ou une lime émeri pour éliminer l'excédent de plastique ou les bords irréguliers qui font dépasser la bague au-dessus de la surface de la table.

**AVERTISSEMENT** Ne modifiez pas le trou de fraise de la plaque ou de la bague amovible. Faites correspondre le diamètre de coupe de la fraise avec le diamètre interne de la bague ou de la plaque amovible de façon à ce que la différence ne soit pas inférieure à 1/16 po sur un côté. Les bagues amovibles sont utilisées pour réduire l'espace entre le diamètre de coupe d'une fraise et la table pour que les pièces à travailler reposent entièrement sur la table lors du touillage.

FIG. 15



### INSTALLATION DES BAGUES AMOVIBLES DE DESSUS DE TABLE (Fig. 15)

1. Choisissez la bague du dessus de la table (11A–11E) qui convient le mieux à la fraise de toupie que vous allez utiliser.
2. Pressez la bague (11A–11E) dans le grand trou en dessus de la table à toupie (2).
3. Pressez uniformément au-dessus des languettes jusqu'à ce que la bague se bloque en place.
4. Pour retirer les bagues, soulevez doucement les languettes pour les débloquer. Lorsque vous ne vous en servez pas, rangez les bagues du dessus de la table (11A–11E) dans un endroit pratique.

**AVERTISSEMENT** N'utilisez pas ou n'essayez pas de changer ou de retirer les bagues amovibles de la surface de travail sans que la toupie soit arrêtée et débranchée. De telles mesures de sécurité préventives réduisent le risque d'une mise en marche involontaire de l'outil.

# Fonctionnement de la table à toupie

## BOÎTE DE COMMUTATION

**⚠ AVERTISSEMENT** Ne branchez pas le cordon d'alimentation du moteur de la toupie dans une prise murale standard. Branchez toujours le cordon d'alimentation de la toupie à la boîte de commutation de la table à toupie. Les interrupteurs et commandes des outils électriques doivent être à votre portée en cas d'urgence.

### INFORMATIONS GÉNÉRALES

L'interrupteur est conçu pour être utilisé avec la plupart des tables à toupie SKIL. Il permet d'avoir un interrupteur MARCHE (RÉINITIALISATION)/ ARRÊT pratique sur le devant de la table évitant d'avoir à se baisser pour atteindre l'interrupteur de la toupie en dessous de la table.

L'interrupteur fournit également une commande simultanée MARCHE/ARRÊT en option pour un accessoire supplémentaire tel qu'une lampe, un aspirateur, etc. L'interrupteur est équipé d'un disjoncteur interne réarmable pour une protection contre toute surcharge.

### EXIGENCES ÉLECTRIQUES

Le cordon de la boîte de commutation ne doit être branché que dans une rallonge à trois brins de calibre 14 (ou supérieur) équipée d'une prise et d'une fiche à trois broches avec terre. La rallonge doit être branchée dans une prise adaptée, elle-même correctement installée par un électricien agréé et raccordée à la terre, conformément à tous les codes et réglementations locaux.

**N'UTILISEZ PAS LES CORDONS RALLONGES ENDOMMAGÉS OU USÉS ET REMPLACEZ-LES IMMÉDIATEMENT.**

Vous pourrez raccorder un cordon rallonge à trois trous au cordon d'alimentation situé à l'arrière de l'interrupteur.

Les prises électriques situées à l'arrière de l'interrupteur pourront recevoir les fiches à deux ou trois broches de la toupie ou de l'accessoire.

Dans le cas d'un dysfonctionnement ou d'une décharge disruptive, la mise à la terre assure un trajet de résistance moindre du courant électrique de façon à réduire le risque de choc électrique. La présente boîte de commutation est équipée d'un cordon d'alimentation qui comprend un connecteur de protection et une fiche de mise à la terre.

**NE** modifiez **PAS** la fiche de l'interrupteur si elle ne peut pas se raccorder au cordon rallonge. Procurez-vous plutôt un cordon rallonge muni d'une prise appropriée.

**Un raccordement non conforme du conducteur de protection peut entraîner un risque de choc électrique.** Le conducteur à isolation dont la surface est verte avec ou sans rayures jaunes désigne le conducteur de protection. Ne branchez pas le conducteur de protection à une borne sous tension.

**NE BRANCHEZ PAS LE CONDUCTEUR DE PROTECTION À UNE BORNE SOUS TENSION.**

Vérifiez auprès d'un électricien qualifié si vous ne saisissez pas parfaitement le mode d'emploi de mise à la terre ou si vous doutez de la prise d'alimentation ou de l'état de la mise à la terre du cordon rallonge.

**⚠ AVERTISSEMENT** Vos doigts ne doivent pas toucher les bornes de la fiche lorsque vous branchez ou débranchez celle-ci de la prise.

**⚠ AVERTISSEMENT** Utilisez la boîte de commutation seulement lorsque cette dernière est correctement fixée à la table à toupie. Utilisez-la seulement avec une toupie qui a également été correctement installée sur une table à toupie correctement montée. De telles mesures de sécurité préventives réduisent le risque de blessure par perte de contrôle.

**⚠ AVERTISSEMENT** Ne dépassez pas un total de 15 ampères lorsque vous branchez la toupie et tout autre accessoire tel qu'une lampe ou un aspirateur eau et poussières. L'interrupteur a un calibre de 15 ampères.

## Fonctionnement de la table à toupie

### INSTALLATION DE LA BOÎTE DE COMMUTATION (Fig. 16)

Si l'assemblage de la boîte de commutation (12) n'est pas préinstallé sur le boîtier avant de la table (6), utilisez les instructions suivantes pour fixer la boîte de commutation.

1. Placez deux vis à tête bombée large n°10-32 x 5/8 po (30) dans les trous dans l'ouverture du boîtier avant de la table.

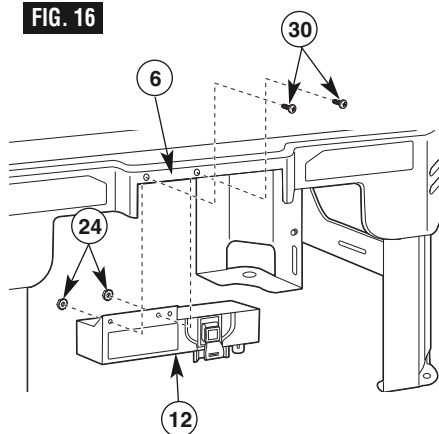
**REMARQUE :** Les têtes de vis doivent être face à l'avant de la table.

2. Tout en maintenant les vis en place, faites glisser la boîte de commutation (12) et commencez à visser les écrous KEPS (24) sur les vis.

**REMARQUE :** La boîte de commutation doit être à l'arrière de l'ouverture du boîtier et le côté rondelle des écrous doit être contre cette même boîte.

3. Maintenez les écrous KEPS (24) tout en vissant les deux vis n°10-32 x 5/8 po (30) permettant de fixer la boîte de commutation (12).

FIG. 16



### RACCORDEMENT DU CORDON D'ALIMENTATION DE LA TOUPIE À L'INTERRUPTEUR (Fig. 17)

**AVERTISSEMENT** Avant de connecter votre toupie à la boîte de commutation de la table à toupie, assurez-vous que l'interrupteur de la toupie est sur **ARRÊT** et que la boîte de commutation de la table à toupie est débranchée. De telles mesures de sécurité préventives réduisent le risque d'une mise en marche involontaire de l'outil.

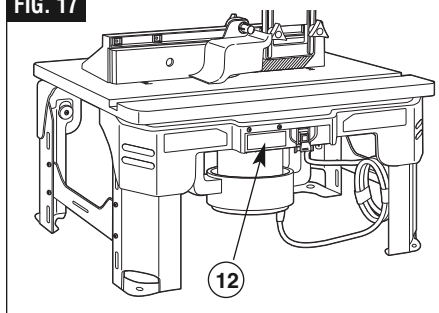
1. Branchez le cordon d'alimentation de la toupie sur l'une des prises électriques situées à l'arrière de l'interrupteur (12).
2. Embobinez le cordon d'alimentation superflu.
3. Enroulez deux morceaux de ruban isolant ou d'une corde solide autour du cordon embobiné, à deux endroits opposés.
4. Laissez un peu de jeu pour que le cordon ne soit pas trop tendu une fois qu'il sera branché sur les prises de la boîte de commutation.
5. Si vous le souhaitez, branchez alors le cordon d'alimentation d'un accessoire comme une lumière ou un aspirateur à eaux/poussières dans l'autre prise au dos du boîtier de l'interrupteur.

**AVERTISSEMENT** Avant de commencer à travailler, assurez-vous que les cordons d'alimentation de la toupie, des accessoires de toupie et de la boîte de commutation ainsi que la rallonge ne sont pas et ne peuvent pas entrer en contact avec la toupie ou toute pièce rotative de la toupie. De telles mesures de sécurité préventives réduisent le risque de blessure par perte de contrôle.

#### Position du cordon d'alimentation

Positionnez le cordon d'alimentation ainsi que les cordons d'alimentation des accessoires le long de la face interne des pieds, puis faites les sortir par la base arrière de la table à toupie vers une prise électrique. Fixez le(s) cordon(s) au(x) pied(s) avec du ruban isolant ou des courroies d'attache. Ceci évitera aux cordons d'entrer en contact avec des pièces mobiles.

FIG. 17



## Fonctionnement de la table à toupie

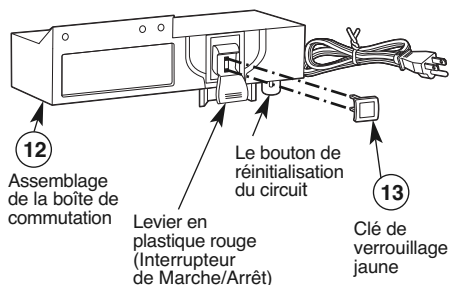
### FONCTIONNEMENT DE L'INTERRUPTEUR (Fig. 18)

Cette section vous explique le fonctionnement et les caractéristiques de l'assemblage de la boîte de commutation (B) avant de brancher le cordon d'alimentation dans une prise électrique. Le but est de familiariser l'utilisateur avec le fonctionnement de l'interrupteur sans mettre la toupie en marche.

La boîte de commutation (12) (Fig.18) comprend une clé de verrouillage (13) pour éviter toute utilisation non autorisée par un tiers.

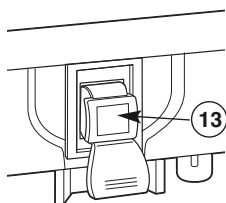
- La clé de verrouillage (13) est la partie jaune sur le haut du levier en plastique rouge. La clé de verrouillage jaune **doit être complètement** insérée dans le haut du levier en plastique rouge et dans la boîte de commutation (12) avant que le levier ne puisse être mis sur MARCHE.
- Le bouton de réinitialisation du circuit de la boîte de commutation (12) est situé sur le côté inférieur droit de la boîte.

FIG. 18

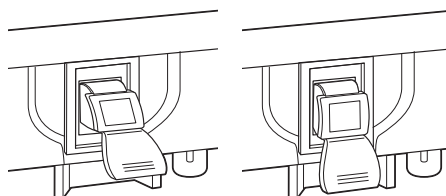
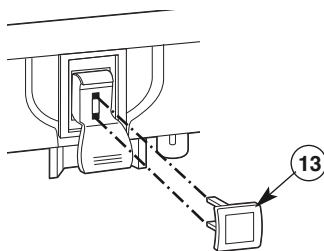


**AVERTISSEMENT** Assurez-vous que la rallonge n'est pas branchée dans une prise électrique avant de continuer.

1. Assurez-vous que la clé de verrouillage jaune (13) est complètement insérée dans le haut du levier en plastique rouge.
4. Pour éviter toute utilisation non autorisée, l'interrupteur peut être désactivé en retirant la clé de verrouillage jaune (13) du haut du levier en plastique rouge.



2. Pour allumer la toupie, levez le levier en plastique rouge dans la position MARCHE.
3. Pour éteindre la toupie, abaissez le levier en plastique rouge dans la position ARRÊT.



MARCHE  
(HAUT)

ARRÊT  
(BAS)

## Fonctionnement de la table à toupie

**AVERTISSEMENT** Avant de continuer, assurez-vous que l'interrupteur de la toupie est en position ARRÊT et que le levier de l'interrupteur est en position ARRÊT.

Ne laissez jamais la toupie sans surveillance si elle est en marche ou si elle n'est pas complètement arrêtée.

**AVERTISSEMENT** Avant de commencer à travailler, assurez-vous que les cordons d'alimentation de la toupie, des

accessoires de toupie et de la boîte de commutation ainsi que la rallonge ne sont pas et ne peuvent pas entrer en contact avec la toupie ou toute pièce rotative de la toupie. De telles mesures de sécurité préventives réduisent le risque de blessure par perte de contrôle.

Le cordon d'alimentation de l'interrupteur doit maintenant être branché à la rallonge.

### FONCTIONNEMENT DE LA TOUPIE ET DE L'INTERRUPTEUR

Cette section vous explique le fonctionnement de l'interrupteur avec le cordon d'alimentation branché à la rallonge.

La toupie sera mise en MARCHÉ lorsque le levier rouge de la boîte de commutation est levé dans la position MARCHÉ.

1. Placez l'interrupteur MARCHÉ/ARRÊT de la toupie sur MARCHÉ. Sur certaines toupies, il sera nécessaire d'utiliser le déclencheur mécanique et le bouton de « VERROUILLAGE ACTIVÉ ». (Consultez le manuel d'utilisation de la toupie.) **Assurez-vous que l'interrupteur de la boîte de commutation est sur la position ARRÊT.**
2. Pour allumer la toupie, levez le levier en plastique rouge dans la position MARCHÉ. Référez-vous à la page 46.
3. Pour éteindre la toupie, abaissez le levier en plastique rouge dans la position ARRÊT. Référez-vous à la page 46.

### BOUTON DE RÉINITIALISATION DU CIRCUIT

**REMARQUE** : En cas de surcharge, le disjoncteur interne déclenchera l'assemblage de la boîte de commutation. L'alimentation électrique de la toupie et de toute accessoire branché à l'interrupteur sera coupée. **Dans ce cas, procédez comme suit :**

1. Poussez le levier en plastique rouge dans la position ARRÊT et débranchez le cordon d'alimentation de l'interrupteur de la prise murale ou de la rallonge.
2. Mettez l'interrupteur de la toupie dans la position ARRÊT.
3. Retirez la pièce à travailler de la table à toupie.
4. Corrigez la raison de cette surcharge. Par exemple, si un trop grand nombre d'accessoires est branché à l'interrupteur ou si l'ampérage global dépasse les caractéristiques de l'interrupteur, retirez l'accessoire en question. D'autres raisons peuvent inclure le retrait d'une trop grande portion de bois ou l'utilisation d'une vitesse trop importante.
5. Appuyez sur le bouton du disjoncteur sur le bas de la boîte de commutation.
6. Branchez le cordon d'alimentation dans la prise murale ou dans la rallonge.
7. Redémarrez la toupie comme indiqué dans la section **FONCTIONNEMENT DE LA TOUPIE ET DE L'INTERRUPTEUR** sur cette page.

**AVERTISSEMENT** Si la boîte de commutation ne fonctionne pas et vous avez déjà essayé de RÉINITIALISER le bouton de réinitialisation comme décrit ci-dessus :

- Débranchez TOUTES les connexions électriques.
- Retirez l'interrupteur de la table à toupie et commandez un interrupteur de remplacement en appelant le service à la clientèle SKIL au 1-877-SKIL999.

### LORSQUE VOUS N'UTILISEZ PAS LA TABLE À TOUPIE

1. Assurez-vous que l'interrupteur est dans la position d'ARRÊT.
2. Retirez la clé de verrouillage (13). Référez-vous à la page 46.
3. **Rangez la clé de verrouillage dans un endroit sûr, hors de portée des enfants et de toute personne non autorisée.**
4. Débranchez le cordon d'alimentation de l'interrupteur de la prise murale ou de la rallonge.
5. Retirez la fraise de la toupie.
6. Placez l'assemblage du mandrin à pince de la toupie sous le plan de travail de la table à toupie.

**REMARQUE** : S'il advenait que la clé soit perdue ou endommagée, des clés de remplacement sont disponibles en appelant le service à la clientèle SKIL au 1-877-SKIL999.

# Fonctionnement de la table à toupie

## UTILISATION DE LA TABLE À TOUPIE

### CORDEMENT ET UTILISATION DE L'ASPIRATEUR EAUX ET POUSSIÈRES

**⚠ AVERTISSEMENT** Avant de connecter votre aspirateur à la boîte de commutation de la table à toupie, assurez-vous que l'interrupteur de l'aspirateur est sur la position ARRÊT et que la boîte de commutation de la table à toupie est débranchée. De telles mesures de sécurité préventives réduisent le risque d'une mise en marche involontaire de l'outil.

**⚠ AVERTISSEMENT** Ne dépassez pas un total de 15 ampères lorsque vous branchez la toupie et tout autre accessoire tel qu'une lampe ou un aspirateur eau et poussières; L'interrupteur a un calibre de 15 ampères.

La cloison est munie d'un orifice pour le branchement d'un tuyau d'aspiration eaux et poussières dont la buse est de 2½ po de diamètre. Il suffit, pour le raccordement, de pousser la buse dans l'orifice tout en tenant en place la cloison. L'aspirateur peut être branché à l'interrupteur de la table à toupie. Assurez-vous que le cordon ne gêne pas le fonctionnement de la toupie.

**⚠ MISE EN GARDE** L'utilisation de la table à toupie sans l'emploi d'un aspirateur eaux et poussières peut entraîner une accumulation excessive de sciures et de copeaux de bois sous la cloison et le capot de protection, ce qui réduit du même coup l'efficacité de la table à toupie et de la cloison.

**RECOMMANDATION** : Afin d'optimiser l'efficacité, retirez au besoin, avec ou sans l'aspirateur eaux et poussières, les sciures et les copeaux de bois sous la cloison et le capot de protection.

**RECOMMANDATION** : Prenez l'habitude de toujours garder l'aire de travail propre. Retirez au besoin toute accumulation de sciures et de copeaux de bois tant sur le plateau de la table à toupie qu'autour de l'aire de travail et sur le sol.

**⚠ AVERTISSEMENT** Ne placez jamais vos doigts près d'une fraise en rotation ou sous le garde lorsque la toupie est branchée. De telles mesures de sécurité préventives réduisent le risque de blessure corporelle.

### INSTALLATION DE LA FRAISE À DÉFONCER

**⚠ AVERTISSEMENT** Débranchez la toupie de l'alimentation électrique avant de faire des réglages ou de changer d'accessoire. De telles mesures de sécurité préventives réduisent le risque d'une mise en marche involontaire de l'outil.

Installez la fraise de la toupie selon les instructions fournies avec votre toupie. A cause de la grande diversité de fraises, certaines d'entre elles risquent de ne pas fonctionner de la façon prévue avec cette table à toupie.

Pour vous assurer que les fraises courantes fonctionneront de façon satisfaisante, installez la fraise de manière à ce que le mandrin à pince de la toupie recouvre 3/4 po de la queue de la fraise. Si la queue de la fraise est au point le plus bas dans le mandrin à pince, faites-la sortir d'environ 1/16 po pour permettre un serrement adéquat.

**NE FIXEZ JAMAIS LES FRAISES EN LAISSANT MOINS DE 3/4 PO DE LA QUEUE INTRODUITE DANS LE MANDRIN À PINCE.**



# Fonctionnement de la table à toupie

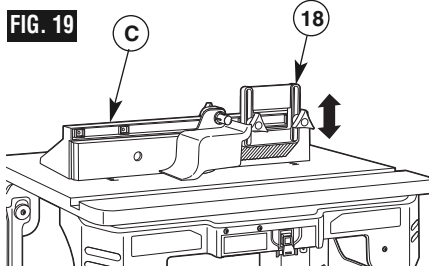
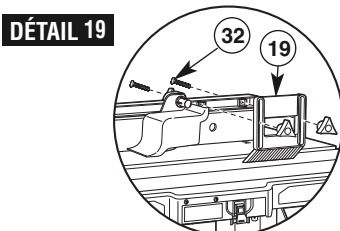
## ASSEMBLAGE DU GUIDE BISEAUTÉ

**REMARQUE :** Le haut et l'avant de chaque guide à biseaute est marqué pour indiquer la bonne direction d'alimentation.

### Guide Biseauté du Guide (Fig. 19 et Détail 19)

1. Insérez deux boulons de carrosserie 1/4-20 x 1 3/4 po (32) par l'arrière de l'assemblage du guide (C) et à travers les fentes du guide biseauté (19). Voir Détail 19.
2. Enfillez les boutons de serrage (18) sur chaque boulon de carrosserie (32) et serrez-les jusqu'à ce que le guide biseauté (19) soit à la hauteur désirée.
3. La pièce à travailler doit pouvoir être déplacée avec une légère résistance mais sans demander un gros effort.

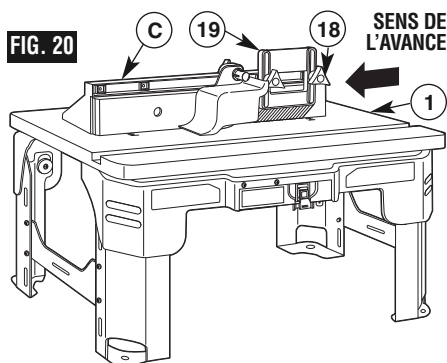
Le guide biseauté peut être installé en deux emplacements, à droite ou à gauche de l'assemblage du guide.



## TOUILLAGE À L'AIDE DU GUIDE BISEAUTÉ (Fig. 20)

Le guide biseauté est utile pour contrôler la pièce à travailler lors du touillage et aide à maintenir la pièce à plat sur le plan de travail. Le guide biseauté permet de garder la pièce à travailler appuyée contre le guide et le plan de travail.

1. Desserrez les boutons de serrage (18) du guide biseauté (19) jusqu'à ce que ce guide biseauté puisse être ajusté.
2. Placez la pièce à travailler sur la table à toupie (1) de façon à ce qu'elle soit d'équerre à l'assemblage du guide (C).
3. Positionnez le guide biseauté (19) contre la pièce à travailler et serrez les boutons de serrage (18).
4. La pièce à travailler doit pouvoir être déplacée avec une légère résistance mais sans demander un gros effort.



### **AVERTISSEMENT** Ne lâchez jamais la pièce à travailler

**pendant le touillage avant que la coupe ne soit terminée et que la pièce à travailler ne soit complètement dégagée de la fraise.** De telles mesures de sécurité préventives réduisent le risque de blessure corporelle et/ou de dommages à la propriété.

- Les guides biseautés permettent de maintenir la pièce à travailler en position lors du touillage sur une table à toupie.
- Ils ne sont pas conçus pour maintenir, à eux seuls, la pièce à travailler lorsque cette pièce est en contact avec la fraise ou à tout autre moment où la fraise est en rotation.

## Fonctionnement de la table à toupie

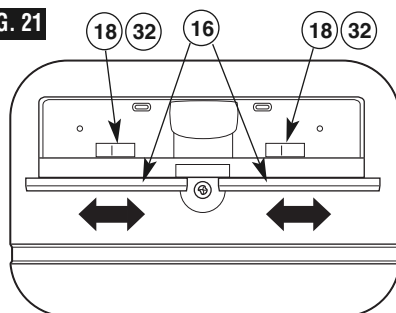
**AVERTISSEMENT** Pour un toupillage de précision et un meilleur contrôle, la pièce à travailler doit être maintenue contre le guide de la table à toupie lors du toupillage.

### RÉGLAGE DES PAREMENTS DU GUIDE (Fig. 21)

Les parements du guide gauche et droit du guide sont fixés sur le devant du guide de la table à toupie et peuvent être ajustés vers l'intérieur ou vers l'extérieur par rapport à la fraise pour permettre d'avoir un dégagement approprié pour des fraises de tailles différentes. Afin de bénéficier du meilleur soutien pendant les manœuvres de toupillage, les parements du guide doivent être aussi proches que possibles de la fraise sans entrer en contact avec cette dernière (la distance optimale est d'1/4 po de la fraise).

1. Desserrez les boutons de serrage (18) et le boulon de carrosserie (32) maintenant chaque parement (16) et faites glisser ceux-ci vers l'intérieur ou l'extérieur par rapport à la fraise selon le besoin.

FIG. 21



*Le garde n'est pas illustré pour plus de clarté*

**AVERTISSEMENT** Veuillez toujours maintenir la pièce à travailler contre le guide lorsque vous toupillez. De telles mesures de sécurité préventives augmentent la précision du toupillage et améliorent le contrôle de la pièce à travailler, réduisant ainsi le risque de blessure corporelle.

2. Une fois que les parements du guide (16) sont à la position souhaitée, serrez **AU MAXIMUM** les boutons de serrage (18) et les boulons de carrosserie (32).

## Fonctionnement de la table à toupie

### RÉGLAGE DE LA PROFONDEUR ET DE LA HAUTEUR DE LA COUPE (Fig. 22 et Détail 22)

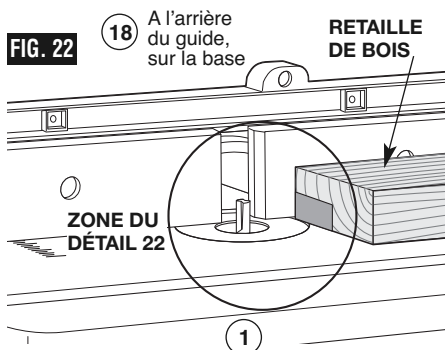
1. Choisissez une planche qui est lisse et droite, avec des bords bien carrés.
2. Marquez les lignes A et B au bout de la planche, comme illustré au Détail 22.
  - La ligne A indique la *hauteur de coupe* souhaitée.
  - La ligne B indique la *profondeur de coupe* souhaitée.
  - La zone délimitée par A et B et le bord de la planche est la zone qui sera découpée.
3. Si la profondeur de coupe souhaitée peut être découpée en une seule passe, desserrez les boutons de serrage du guide et avancez ou reculez celui-ci jusqu'à ce que le bord de coupe le plus externe de la fraise de la toupie soit aligné avec la ligne B.

**REMARQUE :** pour les coupes plus profondes, N'essayez PAS d'effectuer la coupe en une seule passe. Effectuez plusieurs coupes moins profondes, en avançant progressivement le guide vers l'arrière jusqu'à ce que vous atteigniez la profondeur de coupe souhaitée.

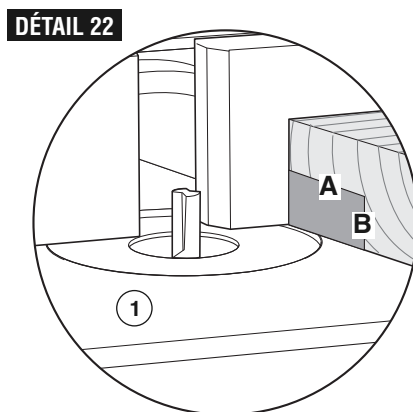
4. Utilisez les échelles sur le dessus de la table (1) pour aligner le guide, puis serrez À FOND les deux boutons de serrage du guide (18).

**AVERTISSEMENT** Assurez-vous que le guide ou le garde ne peuvent entrer en contact avec la fraise de la toupie. Le non-respect de cette règle peut entraîner des dommages à la table à toupie ou provoquer des blessures corporelles.

5. En suivant les instructions livrées avec votre toupie, réglez la hauteur de coupe de la toupie jusqu'à ce que le haut de la fraise de la toupie soit aligné avec la ligne A.
6. Une fois que tous les réglages sont faits, vérifiez une deuxième fois afin de vous assurer que :
  - la toupie est SOLIDEMENT serrée dans sa base;
  - la fraise de la toupie est SOLIDEMENT serrée dans le collet de la toupie avec un engagement d'au moins 3/4 po dans le mandrin;
  - la base de la toupie est SOLIDEMENT serrée sur le dessus de la table de la toupie.



Le garde n'est pas illustré pour plus de clarté



7. Retirez la planche de la table.

**REMARQUE :** Lorsque vous effectuez des réglages, utilisez une retaille de bois pour effectuer des coupes d'essai avant de pratiquer la coupe sur la pièce à travailler véritable.

8. Allumez la toupie et effectuez la coupe souhaitée sur la pièce à travailler.

# Fonctionnement de la table à toupie

## COUPE EN BORD OU ASSEMBLAGE (Figs. 23–25)

Pour un maximum de solidité et de précision, les planches qui doivent être assemblées doivent être lisses et d'équerre. Les bords devraient être d'équerre avec les surfaces de la pièce à travailler. Vous pouvez dresser les bords en utilisant la table à toupie avec une **fraise à dents droites**.

**REMARQUE** : Utilisez la cale de sortie pour soutenir la pièce à travailler en continu lors de son passage sous la fraise.

**⚠ AVERTISSEMENT** Débranchez la toupie de l'alimentation électrique avant de faire des réglages ou de changer d'accessoire. De telles mesures de sécurité préventives réduisent le risque d'une mise en marche involontaire de l'outil.

Si vous utilisez un aspirateur eau et poussières, il doit être branché à l'orifice prévu au dos de l'assemblage du guide.

1. Desserrez le bouton de serrage (18) et le boulon de carrosserie (32) maintenant le parement du guide côté sortie (16).

2. Alignez les fentes sur la cale de sortie (17) avec les trous dans le parement du guide côté sortie (16) et faites glisser la cale de sortie (17) entre l'assemblage du guide (C) et le parement du guide côté sortie (16) (Fig. 23).

Utilisez la cale de sortie pour un décalage de 1/16 po.

3. Installez une fraise à dents droites sur la toupie.

4. Utilisez les deux parements du guide pour un dégagement d'1/4 po (Fig. 24).

5. Serrez les deux boutons de serrage (18) et le boulon de carrosserie (32) tout en maintenant les deux parements (16) en place.

6. Positionnez une règle ou un morceau de bois droit sur la table à toupie de façon (1) à ce qu'il repose contre le parement du guide côté sortie (16).

7. Reculez le guide jusqu'à ce que la règle soit alignée avec le bord de coupe de la fraise et qu'elle soit toujours en contact avec le parement du guide côté sortie (16).

8. Serrez les boutons de serrage (18) et les boulons de carrosserie (32).

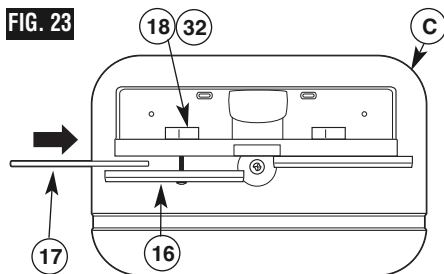
9. Enlevez la règle ou la planche.

10. Réglez la hauteur de la fraise de façon qu'elle coupe sur l'épaisseur totale de la pièce à travailler.

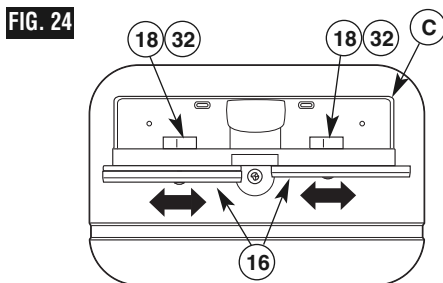
11. Mettez en place les guides biseautés (19), le cas échéant. Consultez TOUPILLAGE À L'AIDE DU GUIDE BISEAUTÉ à la page 49.

12. Retirez la planche de la table à toupie (1) et assurez-vous que le garde (15) soit bien en place.

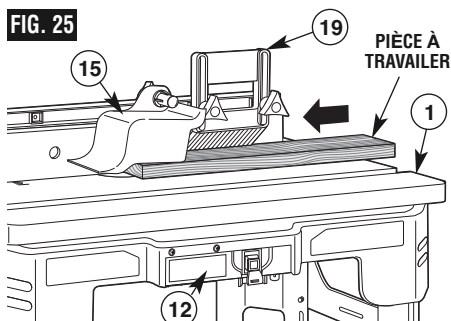
**REMARQUE** : Lorsque vous effectuez des réglages, utilisez une retaille de bois pour effectuer des coupes d'essai avant d'effectuer la coupe sur la pièce réelle à travailler.



Le garde n'est pas illustré pour plus de clarté



Le garde n'est pas illustré pour plus de clarté



13. Assurez-vous que non seulement la toupie mais également la boîte de commutation sont à l'ARRÊT, puis branchez la toupie dans la boîte de commutation (12).

14. Tout en tenant fermement une retaille de bois contre le guide et en l'appuyant contre la table de la toupie, faites avancer une retaille de bois vers la mèche dans le sens de la flèche à la figure 25.

15. À l'aide de la boîte de commutation (12), mettez la toupie à l'ARRÊT. Si vous devez effectuer des réglages, débranchez le cordon d'alimentation et répétez les étapes 6 à 11 jusqu'à ce que tous les réglages soient corrects. Une fois que vous êtes satisfait de tous les réglages, effectuez la coupe sur la pièce à travailler véritable.

## Fonctionnement de la table à toupie

### COUPE EN BORD AVEC DES FRAISES DE TOUPIE NON-PILOTÉE (Figs. 26 et 27)

**AVERTISSEMENT** Débranchez la toupie de l'alimentation électrique avant de faire des réglages ou de changer d'accessoire. De telles mesures de sécurité préventives réduisent le risque d'une mise en marche involontaire de l'outil.

**REMARQUE** : Si la cale de sortie est installée, retirez-la avant de continuer.

Lorsque vous utilisez des fraises à toupie sans avant-trous, le guide sert à déterminer la profondeur de coupe. Pour les coupes profondes, n'essayez pas d'effectuer la profondeur de coupe totale en une passe. Répétez la coupe, en effectuant plusieurs coupes plus petites.

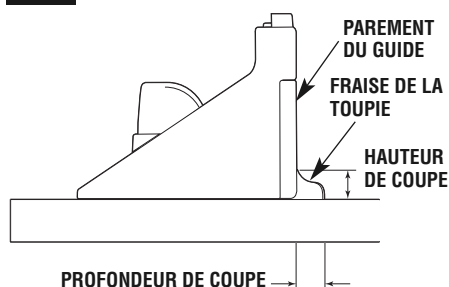
Si vous utilisez un aspirateur eau et poussières, il doit être branché à l'orifice prévu au dos de l'assemblage du guide.

1. Posez la fraise souhaitée dans la toupie.
2. Suivez les instructions données à la page 51 pour régler la profondeur et la hauteur de coupe souhaitées (Fig. 26). Assurez-vous que le guide et la toupie sont SOLIDEMENT en place.
3. Positionnez les deux parements du guide (16) pour un dégagement d'1/4 po.
4. Serrez les deux boutons de serrage et les boulons de carrosserie maintenant les deux parements (16) en place.
5. Mettez en place le guide biseauté (19), le cas échéant. Consultez la section TOUPILLAGE À L'AIDE DU GUIDE BISEAUTÉ de la page 49.
6. Retirez la planche de la table à toupie (1) et assurez-vous que le garde (15) soit bien en place.

**REMARQUE** : Lorsque vous effectuez des réglages, utilisez une retaille de bois pour effectuer une coupe d'essai avant d'effectuer la coupe sur la pièce à travailler véritable.

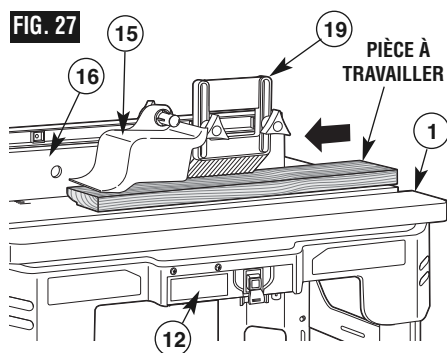
7. Assurez-vous que non seulement la toupie mais la boîte de commutation sont à l'ARRÊT, puis branchez la toupie dans la boîte de commutation (12).

FIG. 26



*Le garde n'est pas illustré pour plus de clarté*

FIG. 27



8. Tout en tenant fermement une retaille de bois contre le guide et en l'appuyant contre la table de la toupie (1), faites avancer une retaille de bois vers la fraise dans la direction de la flèche à la figure 27.
9. À l'aide de la boîte de commutation (12), mettez la toupie à l'ARRÊT. Si des réglages sont nécessaires, débranchez le cordon d'alimentation et répétez les étapes 2 à 8 jusqu'à ce que tous les réglages soient corrects. Une fois que vous êtes satisfait de tous les réglages, effectuez la coupe sur la pièce à travailler.

## Fonctionnement de la table à toupie

### COUPE EN BORD AVEC DES FRAISES DE TOUPIE À AVANT-TROU (Figs. 28 et 29)

**AVERTISSEMENT** Débranchez la toupie de l'alimentation électrique avant de faire des réglages ou de changer d'accessoire. De telles mesures de sécurité préventives réduisent le risque d'une mise en marche involontaire de l'outil.

**REMARQUE** : Si la cale de sortie est installée, retirez-la avant de continuer.

Si vous utilisez un aspirateur eau et poussières, il doit être branché à l'orifice prévu au dos de l'assemblage du guide.

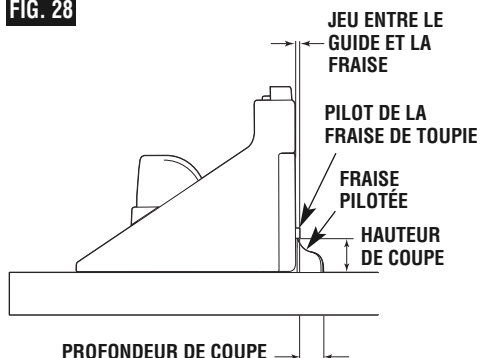
1. Installez la fraise à avant-trous souhaitée dans la toupie.
2. Suivez les instructions données à la page 51 pour régler la hauteur de coupe souhaitée (Fig. 28). Assurez-vous que la toupie et SOLIDEMENT en place.
3. Réglez le dos du guide de la table à toupie suffisamment pour que l'avant-trou sur la fraise détermine la profondeur de la coupe. L'avant-trou de la fraise doit à peine dépasser des parements du guide (16). Serrez À FOND les boutons de serrage du guide.
4. Positionnez les deux parements du guide (16) pour un dégagement d'1/4 po.
5. Serrez les deux boutons de serrage et les boulons de carrosserie maintenant les deux parements de guide (16) en place.

6. Retirez la planche de la table à toupie (1) et assurez-vous que le garde (15) soit bien en place.

**REMARQUE** : Lorsque vous effectuez des réglages, utilisez une retaille de bois pour effectuer une coupe d'essai avant d'effectuer la coupe sur la pièce à travailler véritable.

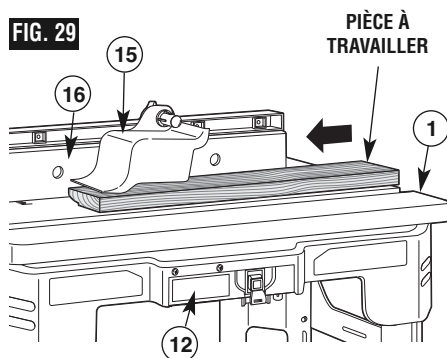
7. Assurez-vous que non seulement la toupie mais la boîte de commutation sont à l'ARRÊT, puis branchez la toupie dans la boîte de commutation (12).

FIG. 28



Le garde n'est pas illustré pour plus de clarté

FIG. 29



8. Tout en tenant fermement une retaille de bois contre le parement du guide (16) en l'appuyant contre la table à toupie (1), faites avancer une retaille de bois vers la fraise en suivant la direction indiquée par la flèche en Fig. 29.
9. À l'aide de la boîte de commutation (12), mettez la toupie à l'ARRÊT. Si des réglages sont nécessaires, débranchez le cordon d'alimentation et répétez les étapes 2 à 8 jusqu'à ce que tous les réglages soient corrects. Une fois que vous êtes satisfait de tous les réglages, effectuez la coupe sur la pièce à travailler.

## Fonctionnement de la table à toupie

### RAINURAGE, GOUGEAGE ET NERVURAGE (Figs. 30 et 31)

#### **AVERTISSEMENT** Débranchez la toupie de l'alimentation

électrique avant de faire des réglages ou de changer d'accessoire. De telles mesures de sécurité préventives réduisent le risque d'une mise en marche involontaire de l'outil.

**REMARQUE** : Si la cale de sortie est installée, retirez-la avant de continuer.

Lorsque vous effectuez ces opérations de touillage, il est recommandé d'utiliser un guide biseauté.

Pour de meilleurs résultats et un maximum de précision, le côté de la pièce à travailler qui s'appuiera contre le guide doit être d'équerre et droit.

Si vous utilisez un aspirateur eau et poussières, il doit être branché à l'orifice prévu au dos de l'assemblage du guide.

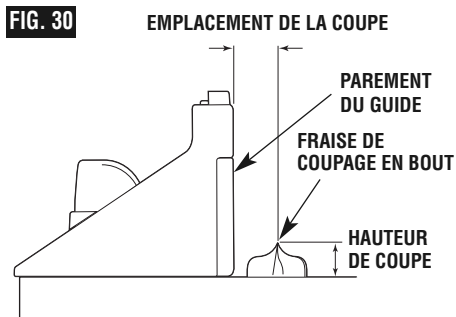
1. Installez la fraise de coupe en bout souhaitée dans la toupie.
2. Suivez les instructions en page 51 pour régler la profondeur et la hauteur de coupe souhaitée (Fig. 30). Assurez-vous que le guide et la toupie sont **SOLIDEMENT** en place.

**IMPORTANT** : Pour les coupes profondes, n'essayez pas de couper la profondeur totale (déterminée par la hauteur de la fraise de la toupie) en une seule passe. Répétez la coupe, en effectuant des coupes plus petites jusqu'à ce que vous atteigniez la profondeur de coupe souhaitée.

3. Positionnez les deux parements du guide (16) pour qu'ils offrent un soutien continu à la pièce à travailler.
4. Serrez les deux boutons de serrage et les boulons de carrosserie maintenant les deux parements de guide (16) en place.
5. Mettez en place le guide biseauté (19), le cas échéant. Consultez la section **TOUILLAGE À L'AIDE DU GUIDE BISEAUTÉ** de la page 49.
6. Retirez la planche de la table à toupie (1) et assurez-vous que le garde (15) soit bien en place.

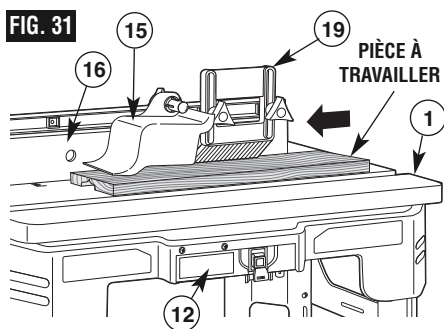
**REMARQUE** : Lorsque vous effectuez des réglages, utilisez une retaille de bois pour effectuer une coupe d'essai avant d'effectuer la coupe sur la pièce à travailler véritable.

**FIG. 30**



*Le garde n'est pas illustré pour plus de clarté*

**FIG. 31**



7. Assurez-vous que non seulement la toupie mais la boîte de commutation (12) sont à l'ARRÊT, puis branchez la toupie dans la boîte de commutation (12).
8. Tout en tenant fermement une retaille de bois contre le parement du guide (16) en l'appuyant contre la table à toupie (1), faites avancer une retaille de bois vers la fraise en suivant la direction indiquée par la flèche en Fig. 31.
9. À l'aide de la boîte de commutation (12), mettez la toupie à l'ARRÊT. Si des réglages sont nécessaires, débranchez le cordon d'alimentation et répétez les étapes 2 à 8 jusqu'à ce que tous les réglages soient corrects. Une fois que vous êtes satisfait de tous les réglages, effectuez la coupe sur la pièce à travailler.

## Fonctionnement de la table à toupie

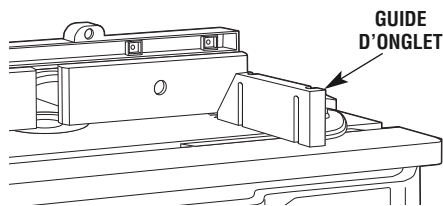
### UTILISATION D'UN GUIDE D'ONGLET (Fig. 32)

On peut se servir de la fente prévue pour guide d'onglet en aluminium avec la plupart des guides d'onglet de banc de scie qui mesurent 3/4 po de largeur x 3/8 po de profondeur.

**REMARQUE :** Pour tous les toupillages qui exigent l'utilisation d'un guide d'onglet avec le guide de la table à toupie, assurez-vous d'aligner ce dernier avec la fente du guide d'onglet dans la table à toupie avant d'effectuer une coupe quelconque. On peut couper des onglets en desserrant le bouton sur la tête du rapporteur d'angles, en tournant la tête du rapporteur d'angles à 60° dans un sens ou dans l'autre et en resserrant le bouton de la tête du rapporteur d'angles.

Effectuez un essai avec une retaille de bois avant de faire la coupe afin de s'assurer que le guide est correctement aligné. Effectuez les réglages requis puis fixez correctement le guide avant de faire la coupe.

FIG. 32



*Le garde n'est pas illustré pour plus de clarté*



## Contenido

### INSTRUCCIONES IMPORTANTES

DE SEGURIDAD . . . . . 57-61

Lista de piezas . . . . . 62-64

Instalación de la mesa

de fresado . . . . . 65-70

Operación de la mesa

de fresado . . . . . 71-83

## Normas de seguridad para herramientas mecánicas



### ADVERTENCIA

Lea y entienda el manual de se fresador y estas instrucciones.

El incumplimiento de todas las instrucciones indicadas a continuación puede dar lugar a lesiones personales graves.

## CONSERVE ESTAS INSTRUCCIONES

### Area de trabajo

Mantenga el área de trabajo limpia y bien iluminada. Las mesas desordenadas y las áreas oscuras invitan a que se produzcan accidentes.

**No utilice herramientas mecánicas en atmósferas explosivas, tales como las existentes en presencia de líquidos, gases o polvos inflamables.** Las herramientas mecánicas generan chispas y éstas pueden dar lugar a la ignición del polvo o los vapores.

**Mantenga a las personas que se encuentren presentes, a los niños y a los visitantes alejados al utilizar una herramienta mecánica.** Las distracciones pueden hacer que usted pierda el control.

### Seguridad eléctrica

**Las herramientas con conexión a tierra deben enchufarse en un tomacorriente instalado y conectado a tierra adecuadamente de acuerdo con todos los códigos y ordenanzas. Nunca quite el terminal de conexión a tierra ni modifique el enchufe de ninguna forma. No utilice enchufes adaptadores. Consulte a un electricista calificado si tiene dudas sobre si el tomacorriente está conectado a tierra adecuadamente.** En caso de que las herramientas tengan algún funcionamiento defectuoso o avería de tipo eléctrico, la conexión a tierra proporciona una ruta de resistencia baja para transportar la electricidad alejándola del usuario. La conexión incorrecta a tierra puede causar sacudidas eléctricas, quemar o electrocutar. Las herramientas con conexión a tierra están equipadas con un cordón de tres conductores y enchufes del tipo de tres terminales. *Antes de enchufar la herramienta, asegúrese de que la tensión del tomacorriente suministrada se encuentre dentro del margen de la tensión especificada en la placa del fabricante. No utilice herramientas con capacidad nominal "AC solamente" ("AC only") con una fuente de energía DC.*

**Las herramientas con aislamiento doble están equipadas con un enchufe polarizado (un terminal es más ancho que el otro). Este enchufe entrará en un tomacorriente polarizado solamente de una manera. Si el enchufe no entra por completo en el tomacorriente, déle la vuelta. Si sigue sin**

**entrar, póngase en contacto con un electricista competente para instalar un tomacorriente polarizado. No haga ningún tipo de cambio en el enchufe.** El aislamiento doble  elimina la necesidad del sistema de cordón de energía de tres hilos conectado a tierra y la fuente de energía conectada a tierra. *Antes de enchufar la herramienta, asegúrese de que la tensión del tomacorriente suministrada se encuentre dentro del margen de la tensión especificada en la placa del fabricante. No utilice herramientas con capacidad nominal "AC solamente" ("AC only") con una fuente de energía DC.*

**Evite el contacto del cuerpo con las superficies conectadas a tierra tales como tuberías, radiadores, estufas de cocina y refrigeradores.** Hay mayor riesgo de que se produzcan sacudidas eléctricas si su cuerpo está conectado a tierra. Si la utilización de la herramienta mecánica en lugares húmedos es inevitable, se debe usar un interruptor de circuito para fallos a tierra para suministrar la energía a la herramienta. Los guantes de goma para electricista y el calzado antideslizante aumentarán más la seguridad personal.

**No exponga las herramientas mecánicas a la lluvia ni a situaciones húmedas.** La entrada de agua en una herramienta mecánica aumentará el riesgo de que se produzcan sacudidas eléctricas.

**No abuse del cordón. Nunca use el cordón para llevar las herramientas ni para sacar el enchufe de un tomacorriente. Mantenga el cordón alejado del calor, el aceite, los bordes afilados o las piezas móviles. Cambie los cordones dañados inmediatamente.** Los cordones dañados aumentan el riesgo de que se produzcan sacudidas eléctricas.

**Al utilizar una herramienta mecánica a la intemperie, utilice un cordón de extensión para intemperie marcado "W-A" o "W."** Estos cordones tienen capacidad nominal para uso a la intemperie y reducen el riesgo de que se produzcan sacudidas eléctricas. Consulte "Información importante para cordones de extensión" en el manual del operación de su fresadora.

## Seguridad personal

**Manténgase alerta, fíjese en lo que está haciendo y use el sentido común cuando utilice una herramienta mecánica. No use la herramienta cuando esté cansado o se encuentre bajo la influencia de drogas, alcohol o medicamentos.** Un momento de distracción al utilizar herramientas mecánicas puede dar lugar a lesiones personales graves.

**Mantenga los protectores de seguridad en su lugar.** Mantenga los protectores de seguridad en orden, ajustados y alineados correctamente.

**Evite el arranque accidental. Asegúrese de que el interruptor esté en la posición "OFF" (apagado) antes de enchufar la herramienta.** El llevar las herramientas con el dedo en el interruptor o el enchufar herramientas que tengan el interruptor en la posición "ON" (encendido) invita a que se produzcan accidentes.

**Quite las llaves de ajuste o de tuerca antes de encender la herramienta.** Una llave de ajuste o de tuerca que se deje puesta en una pieza giratoria de la herramienta puede ocasionar lesiones personales.

**No intente alcanzar demasiado lejos. Mantenga un apoyo de los pies y un equilibrio adecuados en todo momento.** El apoyo de los pies y el equilibrio adecuados permiten un mejor control de la herramienta en situaciones inesperadas.

**Utilice gafas de seguridad (protección para la cabeza):** Utilice gafas de seguridad (deben cumplir con el estándar Z87.1 de ANSI) en todo momento. Utilice calzado antideslizante y un casco fuerte, si es apropiado. Utilice también una máscara para la cara o para evitar el polvo si la operación de corte produce polvo, y protectores para los oídos (tapones u orejeras) durante periodos prolongados de operación.

### Utilización y cuidado de las herramientas

**Utilice abrazaderas u otro modo práctico de fijar y soportar la pieza de trabajo a una plataforma estable.** La sujeción de la pieza de trabajo con la mano o contra el cuerpo resulta inestable y puede ocasionar pérdida de control.

**No fuerce la herramienta. Use la herramienta correcta para la aplicación que desea.** La herramienta correcta hará el trabajo mejor y con más seguridad a la capacidad nominal para la que está diseñada.

**No utilice la herramienta si el interruptor no la enciende o apaga.** Toda herramienta que no se pueda controlar con el interruptor es peligrosa y debe ser reparada.

**Desconecte el enchufe de la fuente de energía antes de hacer cualquier ajuste, cambiar accesorios o guardar la herramienta.** Estas medidas de seguridad preventivas reducen el riesgo de arrancar la herramienta accidentalmente.

**Mantenga los protectores de seguridad en su lugar.** Mantenga los protectores de seguridad en orden, ajustados y alineados correctamente.

**Guarde las herramientas que no esté usando fuera del alcance de los niños y otras personas no capacitadas.** Las herramientas son peligrosas en las manos de los usuarios no capacitados.

**Nunca deje las herramientas sin vigilancia.** Apague la corriente. NO se aleje de la herramienta hasta que haya parado por completo.

**Mantenga las herramientas con cuidado. Conserve las herramientas de corte afiladas y limpias.** Las herramientas mantenidas adecuadamente, con bordes de corte afilados, tienen menos probabilidades de atascarse y son más fáciles de controlar. Toda alteración o modificación constituye un uso incorrecto y puede tener como resultado una situación peligrosa.

**Compruebe la desalineación o el atasco de las piezas móviles, la ruptura de piezas y cualquier otra situación que pueda afectar el funcionamiento de las herramientas. Si la herramienta está dañada, haga que realicen un servicio de ajustes y reparaciones a la herramienta antes de usarla.** Muchos accidentes son causados por herramientas mantenidas deficientemente. Establezca un programa de mantenimiento periódico para la herramienta.

**Utilice únicamente accesorios que estén recomendados por el fabricante de su modelo.** Los accesorios que pueden ser adecuados para una herramienta pueden volverse peligrosos cuando se utilizan en otra herramienta.

## Servicio

**El servicio de ajustes y reparaciones de una herramienta debe ser realizado únicamente por personal de reparaciones competente.** El servicio o mantenimiento realizado por personal no competente podría ocasionar un peligro de que se produzcan lesiones. Por ejemplo: Los cables internos pueden colocarse mal o pellizcarse, los resortes de retorno de los protectores de seguridad pueden montarse inadecuadamente.

**Al realizar servicio de ajustes y reparaciones de una herramienta, utilice únicamente piezas de repuesto idénticas.** El uso de piezas no autorizadas o el incumplimiento de las instrucciones de mantenimiento puede ocasionar un peligro de que se produzcan sacudidas eléctricas o lesiones. Certos agentes de limpieza, tales como gasolina, tetracloruro de carbono, amoníaco, etc., pueden dañar las piezas de plástico.

## Instrucciones adicionales de seguridad para la mesa de fresado

**Levante la mesa de fresado sólo de los bordes.** Levantar la mesa de otra superficie puede provocar lesiones personales.

**Siempre gire el montaje de las patas desde el extremo de la pata y mantenga los dedos alejados de las juntas.** Esto evita un punto de pellizco.

**Nunca gire los montajes de las patas hasta que se encuentren en la posición desbloqueada.** Esto evitará posibles daños a las patas o a las carcasas de la mesa. Si las patas o las carcasas de la mesa se rompen, la mesa podría caerse.

**No utilice la mesa de fresado hasta que se hayan completado todos los pasos de montaje y de instalación.** Antes de cada uso, verifique que las fijaciones y las abrazaderas de la fresadora se encuentren ajustadas. Una mesa o fresadora flojas son inestables y pueden moverse durante el uso, lo que puede ocasionar daños a la propiedad o lesiones personales graves.

**Antes de utilizar la fresadora y la mesa de fresado controle que las patas de la mesa estén extendidas por completo, en la posición de bloqueo, y que toda la unidad (mesa de fresado con fresadora)**

# Instrucciones adicionales de seguridad para la mesa de fresado

**se encuentre fija sobre una superficie sólida, plana y nivelada que no pueda inclinarse.** Dichas medidas de seguridad reducen el riesgo de que la mesa se mueva inesperadamente durante el uso, provocando daños a la propiedad o lesiones personales graves.

**Desconecte la fresadora de la fuente de energía antes de instalar la fresadora en la mesa, efectuar ajustes, cambiar accesorios, quitar la fresadora de la mesa, realizar mantenimiento o almacenar la herramienta.** Dichas medidas de seguridad reducen el riesgo de un accionamiento accidental de la herramienta.

**No enchufe el cable de energía del motor de la fresadora en un tomacorriente de pared común.** Siempre enchufe el cable de la fresadora dentro de la caja del interruptor de la mesa de fresado. Los interruptores y controles de las herramientas eléctricas deben hallarse a su alcance en situaciones de emergencia.

**No toque con los dedos las terminales del enchufe cuando instale o quite el enchufe del tomacorriente.**

**Antes de conectar la fresadora o aspiradora a la caja del interruptor de la mesa de fresado, verifique que la fresadora o el interruptor de la aspiradora estén apagados y que la caja del interruptor de la mesa de fresado se encuentre desenchufada.** Dichas medidas de seguridad reducen el riesgo de un accionamiento accidental de la herramienta.

**Antes de utilizar la mesa de fresado, verifique que la fresadora esté bien sujeta a la base de la mesa de fresado.** Mientras trabaja, verifique periódicamente que las abrazaderas de sujeción de la base de la fresadora estén bien fijadas. Las vibraciones de las operaciones de corte pueden aflojar las abrazaderas del motor de la fresadora y éste podría caerse de la mesa.

**Antes de comenzar a trabajar, verifique que los cables de energía de los accesorios de la fresadora, la caja del interruptor y el cable de extensión no puedan entrar en contacto con la fresadora o con cualquier pieza en movimiento de la fresadora.** Dichas medidas de seguridad reducen el riesgo de lesiones debido a la pérdida de control.

**No utilice la mesa de fresado sin la protección superior a menos que sea necesario para una operación de corte en particular.** Vuelva a colocar la protección inmediatamente después de finalizar la operación de corte. Quite todo el polvo, astillas y otras partículas extrañas que pueden afectar su función. La protección ayudará a que las manos no entren en contacto accidental con la broca giratoria.

**No utilice brocas de un diámetro de corte que supere el orificio de espacio de la placa de inserción de la superficie de la mesa o de los anillos de inserción.** La broca podría entrar en contacto con las placas de inserción o anillos de inserción, lo que podría arrojar fragmentos.

**Nunca use brocas desafiladas o dañadas.** Las brocas dañadas pueden saltar durante el uso. Las brocas desafiladas requieren más fuerza para empujar la pieza de trabajo, lo que posiblemente puede provocar la rotura de la broca o el contragolpe del material.

**Manipule las brocas afiladas con cuidado.** Dichas medidas de seguridad reducen el riesgo de lesiones.

**No modifique los anillos de inserción o los orificios de la broca de la placa de inserción.** Coincida el diámetro de corte de la broca con el diámetro interno del anillo de inserción o del orificio de la broca de la placa de inserción de modo que la diferencia no sea menor a 1/16" sobre un lado.

Los anillos de inserción se utilizan para reducir el espacio entre el diámetro de corte de la broca y la mesa para que las piezas de trabajo reciban un soporte total de la mesa.

**Instale la broca de acuerdo con las instrucciones del manual de la fresadora.** Sujete firmemente la broca de la fresadora en el portabrocas antes de efectuar cortes. Sujetar la broca antes de efectuar los cortes reduce el riesgo de que ésta se afloje durante el funcionamiento.

**Nunca coloque los dedos cerca de una broca giratoria o bajo la protección cuando la fresadora se encuentra enchufada.** Dichas medidas de seguridad reducen el riesgo de una lesión.

**Nunca sostenga la pieza de trabajo en el lado de alimentación de salida de la broca.** Presionar la pieza de trabajo contra el lado de alimentación de salida de la guía puede hacer que el material se trabe y provoque un contragolpe, lo que acercará su mano a la broca.

**Controle la pieza de trabajo con la guía para mantener el control de la misma.** No coloque la pieza de trabajo entre la broca de la fresadora y la guía mientras realiza el fresado sobre los bordes. Esta colocación hará que el material se trabe, posiblemente provocando un contragolpe.

**Sólo utilice las fresadoras para trabajar con madera, productos similares a la madera, plástico o laminados.**

**No utilice la fresadora y la mesa de fresado para cortar metales o darles forma.** Asegúrese de que la pieza de trabajo no contenga clavos u otros objetos duros. Cortar clavos puede provocar la pérdida de control de la herramienta o de la pieza de trabajo.

**Nunca arranque la herramienta cuando la broca se encuentre dentro del material.** El lado de corte de la broca puede trabar el material, provocando la pérdida de control de la pieza de trabajo.

**Alimente la pieza de trabajo sólo en dirección opuesta a la rotación de la broca.** No alimente la pieza de trabajo "desde atrás" dentro de la broca. La broca gira en sentido contrario a las agujas del reloj observada desde la parte superior de la mesa. La alimentación "desde atrás" hará que la pieza de trabajo "salte" sobre la broca, jalando la pieza de trabajo y posiblemente sus manos en dirección de la broca giratoria.

**No alimente la pieza de trabajo dentro de la broca donde se encuentra la mayor parte de la pieza de trabajo entre la guía y la broca.** Esto crea una "trampa de guía", una situación peligrosa debido a que la broca queda expuesta. Esto hará que la pieza "salte y se aleje" de la superficie de la mesa, lo que podría provocar la pérdida de control durante el funcionamiento.

**No corte material que se encuentre torcido, flojo o inestable.** La mesa de fresado se encuentra diseñada para cortar material plano y recto. Si el material está un poco torcido, pero aún así se halla estable, corte el material con el lado cóncavo contra la mesa o la guía. Cortar el material con el lado cóncavo hacia arriba o alejado de la guía puede provocar que el material torcido o flojo ruede y genere un contragolpe, en cuyo caso el usuario perdería el control.

**Utilice soportes auxiliares de alimentación de entrada y salida para piezas de trabajo largas o anchas.** Las piezas de trabajo largas o grandes sin un soporte adecuado pueden saltar de la mesa o hacer que la mesa se vuelque.

## Instrucciones adicionales de seguridad para la mesa de fresado

Utilice empujadores, tablas de biselado montadas en forma vertical u horizontal (varillas con resorte) y otras portapiezas para sostener la pieza de trabajo. Los empujadores, tablas de biselado y portapiezas eliminan la necesidad de sostener la pieza de trabajo cerca de la broca giratoria.

Cuando esté fresando, nunca suelte la pieza de trabajo hasta finalizar el corte y la pieza ya no toque la broca. Dichas medidas de seguridad reducen el riesgo de lesiones y daños a la propiedad. Las tablas de biselado ayudan a sostener la pieza de trabajo en su lugar cuando utiliza una mesa de fresado. No están diseñadas para sostener la pieza de trabajo en su lugar cuando la pieza de trabajo está en contacto con la broca, o en cualquier otro momento en que la broca está girando.

Siempre sostenga la pieza de trabajo contra la guía de la mesa de fresado mientras trabaja. Dichas medidas de precaución aumentan la precisión del fresado y mejoran el control de la pieza de trabajo, lo que reduce el riesgo de lesiones.

Nunca deje la fresadora sin atención mientras se encuentra funcionando o antes de que se detenga por completo. Dichas medidas de seguridad reducen el riesgo de lesiones y daños a la propiedad.

No utilice la mesa como un banco o superficie de trabajo. Utilizarla con un objetivo diferente al original puede provocar daños y hacerla insegura durante el fresado.

Nunca se pare sobre la mesa ni la utilice como una escalera o andamio. La mesa podría inclinarse o la herramienta de corte podría contactarse accidentalmente.

Cuando realice un mantenimiento de la herramienta, sólo utilice piezas de repuesto SKIL. Siga las instrucciones de la Sección de Mantenimiento de este manual. El uso de piezas no autorizadas o no seguir las instrucciones de mantenimiento pueden provocar lesiones personales.

Cierto polvo generado por el lijado, aserrado, amolado y taladrado mecánicos, y por otras actividades de construcción, contiene agentes químicos que se sabe que causan cáncer, efectos de nacimiento u otros daños sobre la reproducción. Algunos ejemplos de estos agentes químicos son:

- Plomo de pinturas a base de plomo
- Sílice cristalina de ladrillos, cemento, y otros productos de mampostería
- Arsénico y cromo de madera tratada químicamente

Su riesgo por causa de estas exposiciones varía, dependiendo de con cuánta frecuencia realice este tipo de trabajo. Para reducir su exposición a estos agentes químicos: trabaje en un área bien ventilada y trabaje con equipo de seguridad aprobado, como por ejemplo máscaras antipolvo que estén diseñadas especialmente para impedir mediante filtración el paso de partículas microscópicas.

## Ubicación incorrecta de la guía y avance incorrecto de la pieza de trabajo

**ADVERTENCIA** No alimente la pieza de trabajo cuando la mayor parte de la misma se encuentre entre la guía y la broca. Esto crea un “trampa de la guía” que es peligrosa por dos razones:

- La parte frontal de la broca está expuesta durante la operación de corte (Fig. A).
- La broca puede realizar un “fresado concurrente”, donde la broca ingresa a la pieza de trabajo en la misma dirección que la dirección de la alimentación. Es probable que esto ocasione que la pieza de trabajo se “monte” fuera del inserto y que se pierda el control durante la operación (Fig. A).

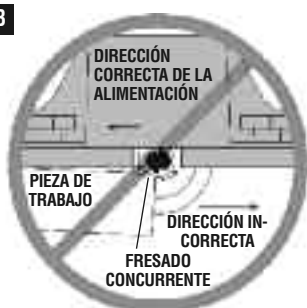
**ADVERTENCIA** Alimente la pieza de trabajo sólo contra la rotación de la pieza. No “retroalimente” el trabajo en la broca. La broca gira en dirección contraria a las agujas del reloj, como se ve desde la parte superior de la mesa. “Retroalimentar” el trabajo es peligroso por dos razones:

- Ocasionará un fresado concurrente donde la pieza de trabajo se podrá “montar” fuera de la mesa, en la dirección de la rotación de la broca, desplazando la pieza de trabajo, y posiblemente sus manos, en la rotación de la broca (Fig. B).
- Es difícil mantener la pieza de trabajo contra la cara de la guía, ya que la rotación de la broca desplazará la pieza de trabajo fuera de la guía.

FIG. A



FIG. B



# Informaciones importantes sobre los cables de extensión

**ADVERTENCIA** Se deberá usar un prolongador con conductores de tamaño adecuado que permita transportar la corriente de la herramienta. Esto evitará caídas de tensión excesivas, pérdida de potencia o el recalentamiento. Con herramientas con conexión a tierra se deberá usar prolongadores con enchufes de 3 cables y receptáculos.

**NOTA:** Cuanto más pequeño es el número de calibre, más es el cable.

## TAMAÑOS RECOMENDADOS DE CORDONES DE EXTENSION HERRAMIENTAS DE 120 V CORRIENTE ALTERNA

Capacidad nominal en amperes de la herramienta	Tamaño del cordón en A.W.G.				Tamaños del cable en mm <sup>2</sup>			
	Longitud del cordón en pies				Longitud del cordón en metros			
	25	50	100	150	15	30	60	120
3-6	18	16	16	14	0,75	0,75	1,5	2,5
6-8	18	16	14	12	0,75	1,0	2,5	4,0
8-10	18	16	14	12	0,75	1,0	2,5	4,0
10-12	16	16	14	12	1,0	2,5	4,0	—
12-16	14	12	—	—	—	—	—	—

## Símbolos

**IMPORTANTE:** Es posible que algunos de los símbolos siguientes se usen en su herramienta. Por favor, estúdielos y aprenda su significado. La interpretación adecuada de estos símbolos le permitirá utilizar la herramienta mejor y con más seguridad.


Símbolo	Nombre	Designación/explicación
V	Volts	Tensión (potencial)
A	Ampere	Corriente
Hz	Hertz	Frecuencia (ciclos por segundo)
W	Watt	Potencia
kg	Kilogramo	Peso
min	Minuto	Tiempo
s	Segundo	Tiempo
∅	Diámetro	Tamaño de las brocas taladradoras, muelas, etc.
n <sub>0</sub>	Velocidad sin carga	Velocidad rotacional sin carga
.../min	Revoluciones o alternación por minuto	Revoluciones, golpes, velocidad de superficie, órbitas, etc., por minuto
0	Posición "off" (apagado)	Velocidad cero, par motor cero...
1, 2, 3, ... I, II, III,	Graduaciones del selector	Graduaciones de velocidad, par motor o posición un número más alto significa mayor velocidad
	Selector infinitamente variable con apagado	La velocidad aumenta desde la graduación de 0
	Flecha	Acción en la dirección de la flecha
	Corriente alterna	Tipo o una característica de corriente
	Corriente continua	Tipo o una característica de corriente
	Corriente alterna o continua	Tipo o una característica de corriente
	Construcción de clase II	Designa las herramientas de construcción con aislamiento doble
	Terminal de toma de tierra	Terminal de conexión a tierra
	Símbolo de advertencia	Alerta al usuario sobre mensajes de advertencia
	Sello RBRCTM de Ni-Cd	Designa el programa de reciclaje de baterías de Ni-Cd



Este símbolo indica que los componentes de esta herramienta se encuentran reconocidos por Underwriters Laboratories y para las Normas Canadienses según Underwriters Laboratories.

## Lista de piezas

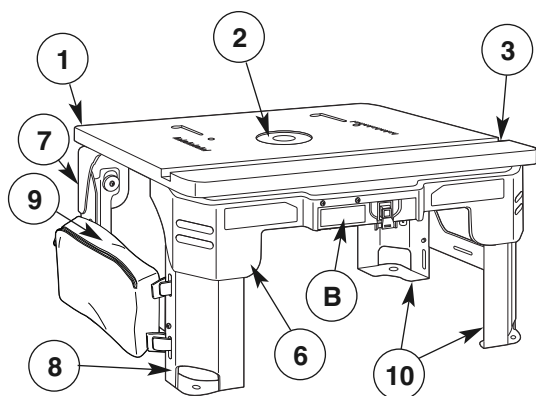
Consulte la lista de piezas siguiente y en las páginas 63–64.

-  **ADVERTENCIA** Si falta **ALGUNAS** de las piezas, no intente armar, instalar o usar su mesa de fresado hasta que todas las piezas faltantes estén en sus manos o las haya reemplazado y su mesa de fresado esté armada en forma correcta y completa según lo indicado en este manual.
- Para piezas faltantes o si necesita asistencia técnica, llame al 1-877-SKIL999 (877-754-5999).**
- Para simplificar el manejo y reducir al mínimo cualquier daño que pueda ocurrir durante el transporte, su mesa de fresado se embala y llega a usted desarmada.
- Separe todas las piezas de los materiales de empaque y compruebe cada pieza comparándola con las ilustraciones y la lista de piezas, para así asegurarse de que se hayan incluido todas las piezas. Hágalo antes de desechar cualquiera de los materiales de embalaje.

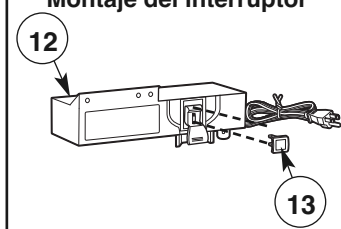
Clave No.	Descripción	Cantidad
<b>A</b>	<b>COMPONENTES DEL MONTAJE DE LA MESA DE FRESADO (se envían preensamblados)</b>	
1	Superficie superior de la mesa de fresado	1
2	Placa de inserción	1
3	Canal de inglete de acero (incluye 3 tornillos #10-32 x 7/8", ítem 28)	1
4	Soporte de montaje de la fresadora (no se muestra)	4
5	Perilla de sujeción en estrella pequeña (no se muestra)	4
6	Carcasa frontal de la mesa	1
7	Carcasa trasera de la mesa	1
8	Montaje de la pata de acero plegable izquierda	1
9	Bolsa de almacenamiento	1
10	Montaje de la pata de acero plegable derecha	1
11	Juego de anillo de inserción	1
11A	Anillo de inserción con orificio de diámetro de 1/2"	1
11B	Anillo de inserción con orificio de diámetro de 3/4"	1
11C	Anillo de inserción con orificio de diámetro de 1"	1
11D	Anillo de inserción con orificio de diámetro de 1 1/4"	1
11E	Anillo de inserción con orificio de diámetro de 1 1/2"	1
<b>B</b>	<b>COMPONENTES DEL MONTAJE DE LA CAJA DEL INTERRUPTOR</b>	
12	Montaje de la caja del interruptor (con llave de bloqueo)	1
13	Llave de bloqueo (pieza de repuesto)	1
<b>C</b>	<b>COMPONENTES DEL MONTAJE DE LA GUÍA (se envían preensamblados)</b>	
14	Guía de la mesa de fresado	1
15	Montaje de la protección superior (incluye espaciador)	1
16	Placa frontal	2
17	Placa de cuña de alimentación de salida (puede sujetarse al lado de alimentación de salida de la guía)	1
18	Perilla de sujeción	7
19	Tabla de biselado	1
<b>D</b>	<b>COMPONENTES DEL MONTAJE DE LA GUÍA DE INGLETE</b>	
20	Barra de inglete	1
21	Cabezal del transportador	1
22	Perilla de sujeción pequeña	1
	<b>ELEMENTOS NO ILUSTRADOS</b>	
23	Instrucciones de operación/seguridad	1

# Lista de piezas

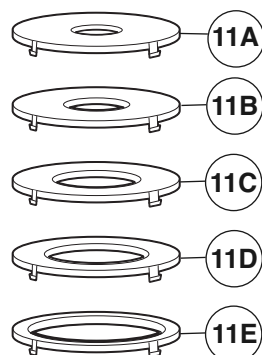
## Componentes de montaje de la mesa



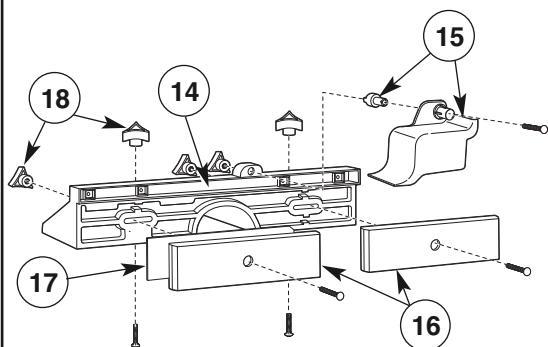
## Montaje del interruptor



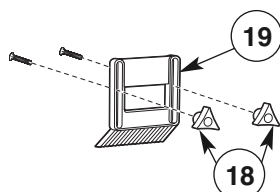
## Anillos de inserción



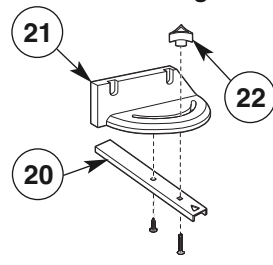
## Componentes de la guía



## Tabla de biselado



## Guía de inglete



## Liste des pièces

Clave No.	Descripción	Cantidad
<b>SUJECIONES VARIADAS (instaladas o en bolsas)</b>		
24	Tuerca KEPS #10-32	13
25	Arandela plana #10-32	4
26	Tornillo auto-roscante de cabeza troncocónica #10-16 x 1/2"	5
27	Tornillo para madera de cabeza plana #6 x 5/8"	2
28	Tornillo de cabeza embutida #10-32 x 7/8"	3
29	Perno de carruaje #10-24 x 3/4"	1
30	Tornillo de cabeza segmentada #10-32 x 5/8"	17
31	Tornillo de cabeza segmentada #10-32 x 2 1/2"	4
32	Perno de carruaje 1/4-20 x 1 3/4"	6
33	Perno de carruaje 1/4-20 x 2 1/2"	1

### Sujeciones variadas



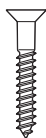
(24) Tuerca KEPS  
#10-32



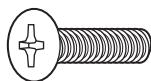
(25) Arandela plana  
#10-32



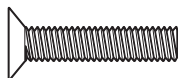
(26) Tornillo auto-roscante de  
cabeza troncocónica #10-16 x 1/2"



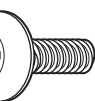
(27) Tornillo para madera de  
cabeza plana #6 x 5/8"



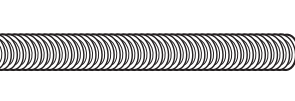
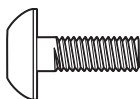
(28) Tornillo de cabeza  
embutida #10-32 x 7/8"



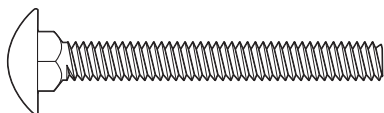
(29) Perno de carruaje  
#10-24 x 3/4"



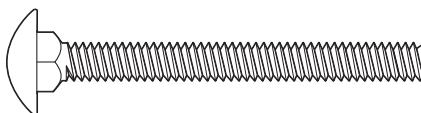
(30) Tornillo de cabeza  
segmentada #10-32 x 5/8"



(31) Tornillo de cabeza  
segmentada #10-32 x 2 1/2"



(32) Perno de carruaje 1/4-20 x 1 3/4"



(33) Perno de carruaje 1/4-20 x 2 1/2"



## PREPARACIÓN DE LA MESA DE FRESADO PARA SU USO

**⚠ ADVERTENCIA** Levante la mesa de la fresadora sólo desde sus bordes. Levantar la mesa sobre cualquier otra superficie podrá ocasionar lesiones personales.

### HERRAMIENTAS ÚTILES PARA TENER A MANO

- Destornilladores de estrella #1 y #2 (no incluidos)
- Llave inglesa o llave de cubo de 3/8" (no incluidas)

### CÓMO EXTENDER Y TRABAR LAS PATAS (Figs. 1 y 2)

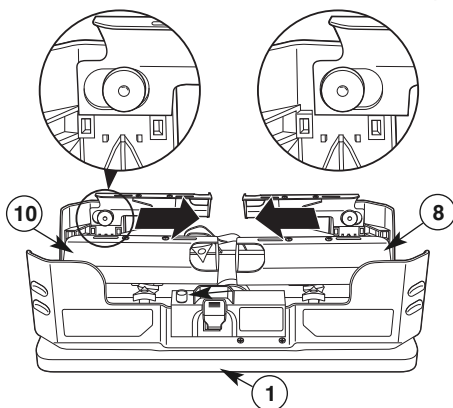
1. Con suavidad levante y coloque el montaje de la mesa de fresado al revés sobre la superficie de la mesa (1).
2. Con cuidado tire de ambos montajes de las patas (8 y 10) hacia adentro en dirección del centro de la mesa hasta que los montajes de las patas se encuentren en la posición desbloqueada como puede verse en la Fig. 1.

**⚠ ADVERTENCIA** Siempre rote el ensamblaje de las patas desde el extremo y mantenga los dedos alejados de la junta. Esto evitará pinzamientos.

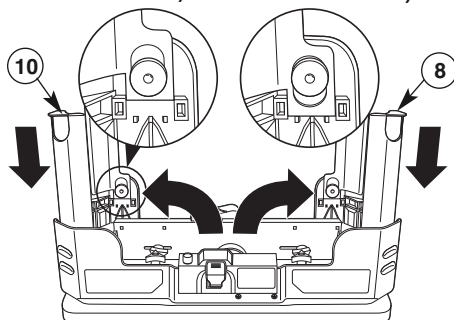
**⚠ ADVERTENCIA** Nunca rote los ensamblajes de las patas hasta que las lengüetas de bloqueo estén totalmente desenganchadas. Esto evitará posibles daños en lengüetas de bloqueo o mesas.

3. Después de desbloquear los montajes de las patas (8 y 10), gire los dos montajes de las patas hasta la posición vertical total. (Ver Fig. 2.)
4. Presione hacia abajo suavemente los dos montajes de las patas (8 y 10) para accionar las cuatro lengüetas de bloqueo y bloquear los montajes de las patas derecha e izquierda en posición vertical como se indica en la Fig. 2.

**FIG. 1**  
BLOQUEADO (PATAS DESLIZADAS HACIA AFUERA)  
DESBLOQUEADO (PATAS DESLIZADAS HACIA EL CENTRO)



**FIG. 2**  
DESBLOQUEADO (PATAS DESLIZADAS HACIA ARRIBA EN DIRECCIÓN CONTRARIA A LA MESA)  
BLOQUEADO (PATAS DESLIZADAS HACIA ABAJO EN DIRECCIÓN DE LA MESA)



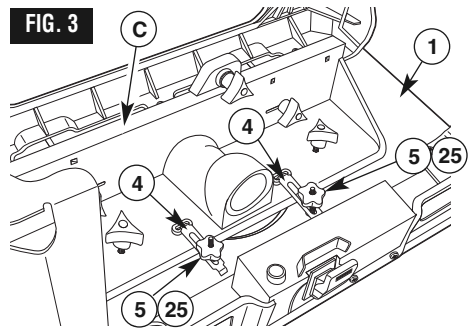
# Instalación de la mesa de fresado

## CÓMO QUITAR EL MONTAJE DE LA GUÍA (Fig. 3)

La guía de su mesa de fresado viene completamente montada con la guía de empalme ajustable y la protección superior en su lugar. El montaje de la guía se fija a la parte inferior de la mesa para el envío y almacenamiento.

1. Afloje las dos perillas de sujeción en estrella pequeñas (5), las arandelas (25) y los soportes de montaje (4) que fijan el montaje de la guía (C) a la parte inferior de la mesa de fresado (1). Quite el montaje de la guía (C) de la posición de almacenamiento debajo de la mesa de fresado (1) y sepárelo. (Ver Fig. 3).

**NOTA:** La placa de cuña debe almacenarse en el lado de alimentación de salida del montaje de la guía.



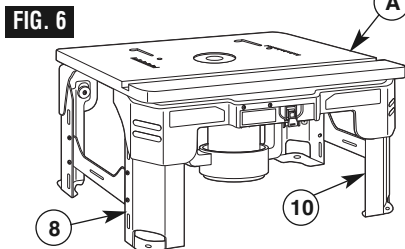
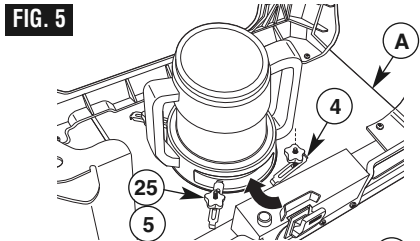
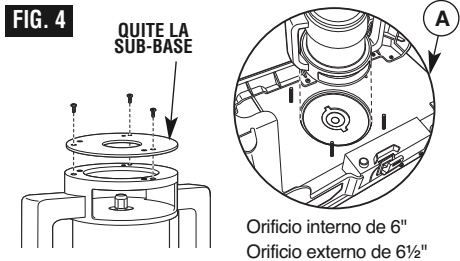
## CÓMO MONTAR LA FRESADORA A LA MESA DE FRESADO (Figs. 4-6)

La parte inferior de la mesa de fresado cuenta con dos orificios guía embutidos en los que pueden utilizarse la mayoría de las bases de fresado estándar de 6" o 6½". Utilícelos como guías para centrar su fresadora sobre la mesa.

**ADVERTENCIA** Desconecte la fresadora del tomacorriente antes de instalar la misma en la mesa. Dichas medidas de precaución reducen el riesgo de operaciones no intencionales de las herramientas.

1. Con cuidado, dé vuelta la mesa de fresado (A) y colóquela en la superficie superior. Verifique que el montaje de la guía (C) no se encuentre en su posición de almacenamiento.
2. Quite la sub-base plástica de la fresadora (Fig. 4). Conserve los tornillos y la sub-base en un lugar conveniente.
3. Coloque la fresadora en el orificio embutido correcto como se indica en la Fig. 4. (Se quitaron los soportes para mayor claridad.)
4. Instale la fresadora colocando los cuatro soportes de montaje (4) sobre los bordes de la carcasa de la fresadora y ajustando las perillas de sujeción en estrella pequeñas (5) y arandelas (25) para fijar la fresadora a la parte inferior de la mesa (A). Verifique que las perillas de fijación hayan quedado bien ajustadas. (Ver Fig. 5).

**ADVERTENCIA** Antes de usar la mesa de fresado, verifique que la fresadora esté sujeta de forma segura en la base de la mesa de fresado. Al trabajar, controle de forma periódica que los sujetadores de la base estén agarrados en forma segura. La vibración del motor de la fresadora puede aflojar los sujetadores durante el uso, haciendo que la fresadora caiga de la mesa.



**PRECAUCIÓN** No ajuste tornillos de cabeza segmentada de 10-32 x 2½". Los tornillos vienen pre instalados. El ajuste excesivo de los tornillos dañará la mesa.

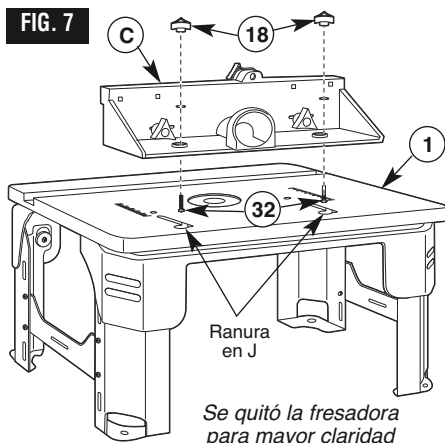
5. Con cuidado, dé vuelta la mesa de fresado (A) y colóquela sobre las patas (8 y 10). (Ver Fig. 6). Para más información, consulte las páginas 67-69.

## Instalación de la mesa de fresado

### CÓMO INSTALAR EL MONTAJE DE LA GUÍA (Fig. 7)

La guía viene montada de fábrica. El paso 1 hace referencia al rearmado; si fuera necesario, diríjase al paso 2 si la guía ya se encuentra montada.

1. Desde abajo, deslice dos pernos de carruaje de 1/4-20 x 1 3/4" (32) a través de los orificios de la parte inferior del montaje de la guía (C). Sujete una perilla de sujeción (18) en cada perno sin ajustar. (Ver Fig. 7.)
2. Introduzca las cabezas de los pernos de carruaje (32) a través de los orificios de las ranuras en J de la superficie de la mesa (1), verificando que las cabezas de los pernos se encuentren por debajo de la superficie interna de la superficie de la mesa y que puedan deslizarse libremente en la ranura en J.
3. Desde la parte trasera del montaje de la mesa, deslice el montaje de la guía (C) dentro de la ranura en J y verifique que se deslice sin problemas desde el frente hasta la parte trasera.
4. Ajuste las perillas de fijación grandes (18) para asegurar el montaje de la guía (C) en la posición deseada.

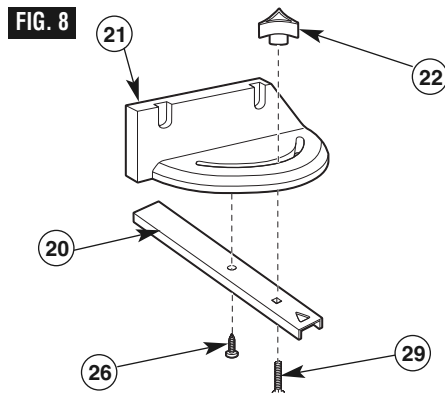


**NOTA:** Utilice la regla ubicada sobre la superficie de la mesa cuando alinee la guía para realizar operaciones de fresado. Una vez que la guía se ha colocado y alineado correctamente, ajuste FIRMEMENTE las perillas de sujeción.

### ENSAMBLADURA DEL CALIBRADOR DE INGLETE (Fig. 8)

El montaje de la guía de inglete (D) viene armado por completo. Si fuera necesario, utilice las siguientes instrucciones para montarlo.

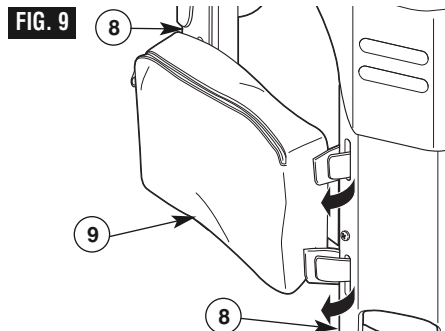
1. Coloque el tornillo de cabeza plana de auto-enroscado tipo BT #10-16 x 1/2" (26) a través del orificio redondo en la barra de inglete (20) y en la cabeza transportadora (21).
2. Apriete los tornillos de manera que la cabeza del tornillo apenas toque la barra de inglete. La cabeza transportadora debe girar fácilmente. De lo contrario afloje un poco los tornillos.
3. Introduzca el perno de carruaje #10-24 x 3/4" (29) a través del orificio cuadrado de la barra de inglete (20) y de la ranura de la guía de inglete y ajuste con la perilla de fijación pequeña (22).



### BOLSA DE ALMACENAMIENTO (Fig. 9)

La mesa de fresado (A) viene equipada con una bolsa de almacenamiento de lona (9). La bolsa de almacenamiento puede montarse en la parte exterior o interior de las patas derecha o izquierda.

1. Separe los ganchos y tiras sujetos a la bolsa de almacenamiento (9).
2. Coloque las tiras a través de las ranuras ubicadas en los montajes de patas derecha o izquierda (8 o 10).
3. Fije la bolsa de almacenamiento (9) a los montajes de patas (8 o 10) presionando entre sí los ganchos y las tiras.



## Instalación de la mesa de fresado

# CÓMO INSTALAR LA MESA DE FRESADO A UNA SUPERFICIE O MESA DE TRABAJO

**ADVERTENCIA** Antes de utilizar la fresadora en la mesa de fresado, asegúrese de que las patas de la mesa estén totalmente extendidas en la posición de bloqueo. Toda la unidad (mesa de fresado y fresadora) se ubica en forma segura sobre una superficie sólida, plana y nivelada que no se inclinará. Tales medidas de precaución reducen el riesgo de que la mesa se desplace de forma inesperada mientras se encuentre en uso, produciendo daños sobre la propiedad o lesiones personales graves.

### HERRAMIENTAS Y PIEZAS ÚTILES (no incluidas)

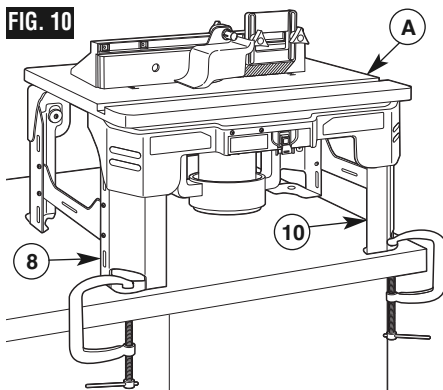
- Presillas

- Destornillador de estrella
- Llave pequeña ajustable
- Taladro eléctrico o manual con brocas (dependiendo del método de montaje usado)
- Sujetadores (no incluidos):
  - Cuatro tornillos para madera de cabeza troncocónica #10-16 x 3/4" y 4 arandelas (para superficies sólidas de madera o bancos de trabajo)
  - Cuatro tornillos de máquina de cabeza troncocónica 3/16", 8 arandelas y 4 tuercas hexagonales

### MÉTODO 1 (Fig. 10)

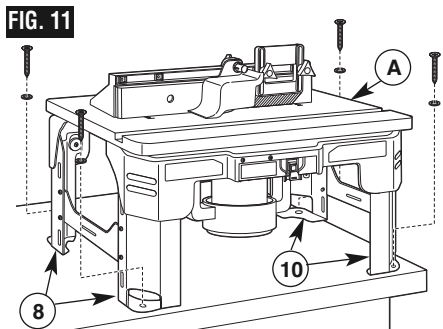
1. Fije la mesa de fresado (A) en una banca de trabajo u otra superficie estable y fuerte, con el FRENTE (lado del interruptor) de la mesa de fresado hacia usted.
2. Asegure las patas de la mesa (8 y 10) de fresado a la banca de trabajo con presillas, asegurándose de apretarlas FIRMEMENTE.

**IMPORTANTE:** Asegúrese que colocar las presillas no interfiera con la operación de la mesa de fresado.



### MÉTODO 2 (Fig. 11)

1. Fije la mesa de fresado (A) en una banca de trabajo u en otra superficie estable y fuerte, con el FRENTE (lado del interruptor) de la mesa de fresado hacia usted.
2. Mientras sostiene la mesa de fresado en la posición deseada, marque la ubicación de los cuatro orificios de montaje (dos en cada esquina [8 y 10]).
3. Retire la mesa de fresado (A) de la banca de trabajo y póngala a un lado.
4. Realice orificios piloto adecuados (para tornillos para madera) u orificios pasantes (para tornillos mecánicos) en las ubicaciones señaladas.
5. Coloque la mesa de fresado (A) en la banca de trabajo y alinee los orificios de montaje en las patas de la mesa (8 y 10) con los orificios perforados en la banca de trabajo.
6. Fije la mesa de fresado (A) en su lugar utilizando los tornillos para madera y las



arandelas (no provistos). Si utiliza tornillos para madera, la aplicación de una capa fina de jabón en las rosas de los tornillos facilitará la inserción de los tornillos en los orificios piloto.

7. APRIETE todos los tornillos FIRMEMENTE.

## Instalación de la mesa de fresado

### MÉTODO ALTERNO 2 (Figs. 12 y 13)

1. Corte una tabla de 18¼" de ancho x 23" de largo de una pieza de madera de ¾" de espesor.
2. Centre la mesa de fresado (A) en la tabla y marque la ubicación de los ocho orificios de montaje (dos en cada pata [8 y 10]).
3. Retire la mesa de fresado de la superficie de trabajo y colóquela a un lado.
4. Realice orificios piloto adecuados (para tornillos para madera) u orificios pasantes (para tornillos mecánicos) en las ubicaciones señaladas.
5. Coloque la mesa de fresado (A) en la tabla y alinee los orificios de montaje en las patas de la mesa (8 y 10) de fresado con los orificios perforados en la mesa de trabajo.
6. Asegure la mesa de fresado (A) en su lugar usando tornillos de madera. Aplicar una capa ligera de jabón en las roscas de los tornillos facilitará la entrada de los tornillos en los orificios piloto.
7. Asegure la tabla a una superficie de trabajo u otra superficie sólida y estable con tornillos (Fig. 12) o abrazaderas (Fig. 13) durante el uso.

**IMPORTANTE:** Asegúrese que colocar las presillas no interfiera con la operación de la mesa de fresado.

FIG. 12

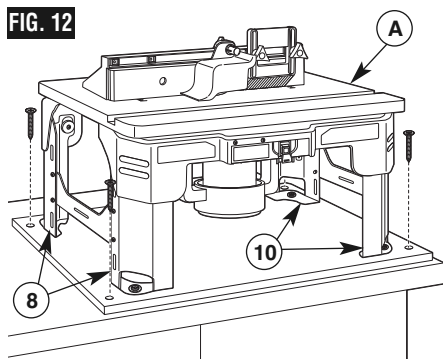
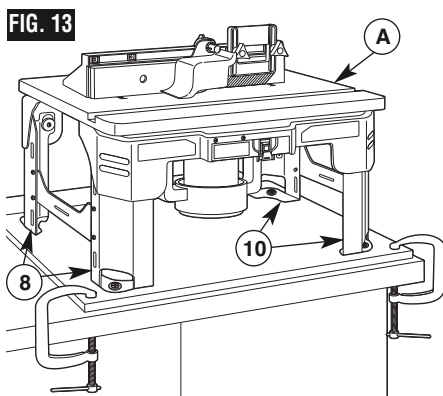


FIG. 13

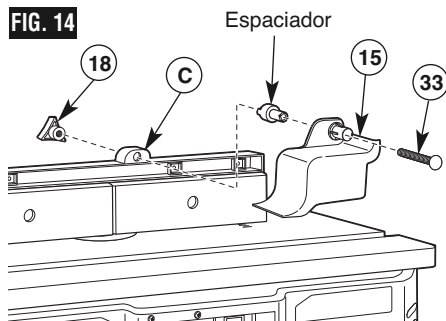


### MONTAJE DE PROTECCIÓN SUPERIOR (Fig. 14)

El montaje de protección superior (15) viene preinstalado sobre el montaje de la guía. Para algunas aplicaciones de fresado deberá quitarse esta protección.

1. Afloje y quite la perilla de sujeción (18) ubicada en la parte trasera superior del montaje de la guía (C).
2. Quite el perno de carruaje de 1/4-20 x 2½" (33), la protección superior (15) y el espaciador del montaje de la guía (C).
3. Vuelva a instalar el montaje de la protección superior (15) siguiendo estos pasos en forma inversa.

FIG. 14



## Instalación de la mesa de fresado

**ADVERTENCIA** Desconecte la fresadora del tomacorriente antes de instalar la fresadora en la mesa, realizar ajustes, cambios de accesorios, retirar la fresadora de la mesa, realizar el mantenimiento o guardar la herramienta. Dichas medidas de precaución reducen el riesgo de funcionamiento no intencional de las herramientas.

### ANILLOS DE INSERCIÓN (Fig. 15)

Esta mesa fresado (1) incluye cinco anillos de inserción con los siguientes tamaños de orificio:

- (11A) 1/2" de diámetro, para brocas hasta 3/8" de diámetro
- (11B) 3/4" de diámetro, para brocas hasta 5/8" de diámetro
- (11C) 1" de diámetro, para brocas hasta 7/8" de diámetro
- (11D) 1 1/4" de diámetro, para brocas hasta 1 1/8" de diámetro
- (11E) 1 1/2" de diámetro, para brocas hasta 1 3/8" de diámetro

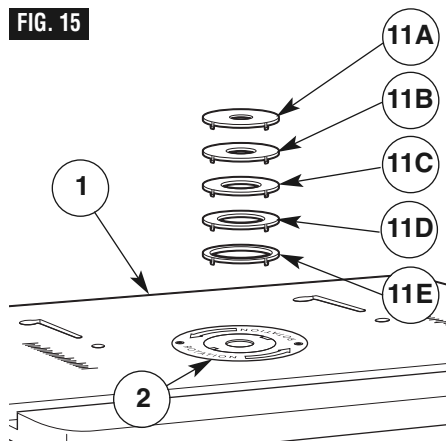
No se necesita un anillo de inserción para brocas de diámetros entre 1 1/2" y 1 5/8".

**ADVERTENCIA** No utilice la mesa fresadora con brocas de más de 1 5/8" de diámetro. Las brocas de más de 1 5/8" exceden el orificio de los anillos de inserción de la superficie de la mesa. Las brocas de más de 1 5/8" pueden hacer contacto con la placa de inserción o anillo de inserción, lo que arrojará fragmentos.

Estos cinco anillos de inserción se suministran en forma individual y pueden encontrarse en la bolsa de almacenamiento. El anillo de inserción debe entrar por completo en el orificio de la superficie de la mesa. Utilice una lima fina o una lija para remover el exceso de plástico o bordes ásperos que puedan sobresalir de la superficie de la mesa.

**ADVERTENCIA** No modifique los anillos de inserción o los orificios de la broca de la placa de inserción. Coincida el diámetro de corte de la broca con el diámetro interno del anillo de inserción o del orificio de la broca de la placa de inserción de modo que la diferencia no sea menor a 1/16" sobre un lado. Los anillos de inserción se utilizan para reducir el espacio entre el diámetro de corte de la broca y la mesa para que las piezas de trabajo reciban un soporte total de la mesa mientras se efectúa el fresado.

FIG. 15



### PARA INSTALAR ANILLOS DE INSERCIÓN DE LA SUPERFICIE DE LA MESA (Fig. 15)

1. Seleccionar un inserto de la superficie de la mesa (11A–11E) que acomoda la broca de la fresadora que se va a utilizar.
2. Presione el inserto (11A–11E) en el orificio grande en la superficie de la mesa(11A–11E).
3. Ejercer presión por igual sobre las lengüetas en el inserto, a fin de que las lengüetas encajen en posición.
4. Para retirarlos, tire suavemente hasta que las lengüetas se desenganchen. Cuando no los utilice, guarde los insertos de la superficie de la mesa (11A–11E) en un lugar conveniente.

**ADVERTENCIA** No use, trate de cambiar o quite los anillos de inserción de la superficie de la mesa a menos que la fresadora se encuentre apagada y desenchufada. Dichas medidas de seguridad reducen el riesgo de un accionamiento accidental de la herramienta.

# Operación de la mesa de fresado

## CAJA DE CONTROL DEL INTERRUPTOR

### ADVERTENCIA

No enchufe el cable de corriente del motor de la fresadora en un tomacorriente estándar. Siempre enchufe el cable de la fresadora en el interruptor de la mesa de la fresadora. Los interruptores de corriente de la herramienta y los controles deberán estar a su alcance en casos de emergencia.

### DATOS GENERALES

El tomacorriente se diseñó para uso con la mayoría de las mesas de fresado SKIL. Esto brinda la conveniencia de un interruptor de ENCENDIDO (REINICIO)/APAGADO en la mesa frontal, eliminando de este modo la necesidad de extenderse hasta la parte inferior de la mesa para APAGAR y ENCENDER el tomacorriente.

El interruptor de energía también ofrece un control opcional y simultáneo de ENCENDIDO/APAGADO para un accesorio adicional, como una luz, una aspiradora seca/húmeda, etc. El interruptor cuenta con un interruptor de circuitos interno reconfigurable para ofrecer protección contra sobrecargas.

### REQUISITOS ELÉCTRICOS

La caja del interruptor sólo debe enchufarse en un cable de extensión de tres hilos de calibre 14 (o mayor) con un receptáculo de conexión a tierra de tres orificios y un enchufe con conexión a tierra de tres espigas. El cable de extensión debe enchufarse en un tomacorriente similar instalado por un electricista con licencia y con conexión a tierra de acuerdo con todos los códigos y ordenanzas locales.

### NO SE DEBEN USAR Y SE DEBEN REEMPLAZAR DE INMEDIATO LOS CABLES DE EXTENSIÓN GASTADOS.

El cable eléctrico en la parte posterior del interruptor aceptará ya sea un cable de extensión de tres orificios.

Los receptáculos eléctricos en la parte posterior del interruptor aceptarán ya sea enchufes de dos o tres terminales de una fresadora o accesorio.

En el caso de una falla, la conexión eléctrica ofrece la ruta de menor resistencia para la corriente eléctrica con el fin de reducir el riesgo de choque eléctrico. Esta caja interruptora viene equipada con un cable eléctrico que tiene un conector y un enchufe para conexión a tierra.

**NO** modifique el enchufe del interruptor si no se conecta en el cable de extensión. Obtenga un cable de extensión con la toma eléctrica correcta.

La conexión incorrecta del conductor de conexión a tierra del equipo puede resultar en riesgo de choque eléctrico. El conductor con aislamiento que tiene una superficie exterior verde con o sin las rayas amarillas, es el conductor de conexión a tierra del equipo.

### NO CONECTE EL CONDUCTOR DE CONEXIÓN A TIERRA DEL EQUIPO A UNA TERMINAL ACTIVA.

Consulte con un electricista con licencia si las instrucciones para conexión a tierra no se entienden claramente o si hay duda respecto a la conexión a tierra correcta de la toma o extensión eléctrica.

### ADVERTENCIA

No permita que sus dedos tengan contacto con las terminales del enchufe al instalar o quitar el enchufe del tomacorriente.

### ADVERTENCIA

Use la caja del interruptor sólo cuando esté ensamblada adecuadamente en la mesa de la fresadora. Use la misma sólo con una fresadora que haya sido instalada de forma adecuada en la mesa de fresado ensamblada correctamente. Tales medidas de precaución reducen el riesgo de lesiones debido a la pérdida de control.

### ADVERTENCIA

En total, no se deberán superar los 15 amperes al conectar la fresadora y cualquier otro accesorio tal como una luz o aspiradora. El interruptor posee una capacidad de 15 amperes.

# Operación de la mesa de fresado

## CÓMO INSTALAR LA CAJA DEL INTERRUPTOR (Fig. 16)

Si el montaje de la caja del interruptor (12) no viene instalado en la carcasa frontal de la mesa (6), utilice las siguientes instrucciones para instalar la caja del interruptor.

1. Coloque dos tornillos de cabeza segmentada #10-32 x 5/8" (30) en los orificios ubicados en la abertura de la carcasa frontal de la mesa.

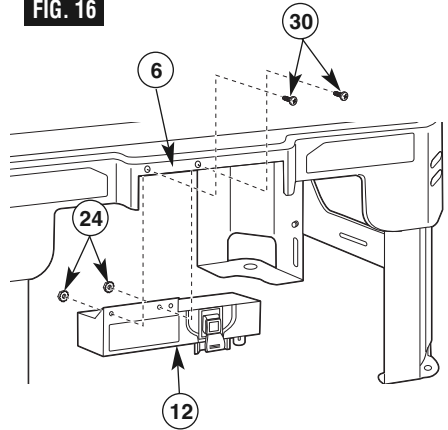
**NOTA:** Las cabezas de los tornillos deben enfrentar la parte frontal de la mesa.

2. Mientras sostiene los tornillos en su lugar, deslice la caja del interruptor (12) y coloque las tuercas KEPS (24) sobre los tornillos.

**NOTA:** La caja del interruptor debe hallarse detrás de la abertura de la carcasa, y el lado de las arandelas de las tuercas debe estar contra la caja del interruptor.

3. Sostenga las tuercas KEPS (24) mientras ajusta las dos tuercas #10-32 x 5/8" (30) para fijar la caja del interruptor (12).

FIG. 16



## CÓMO CONECTAR EL CABLE ELÉCTRICO DE LA FRESADORA AL INTERRUPTOR (Fig. 17)

**ADVERTENCIA** Antes de conectar la caja del interruptor de la mesa de la fresadora, asegúrese de que el interruptor de la fresadora esté APAGADO y que la caja del interruptor de la mesa de la fresadora esté desenchufada. Dichas medidas de precaución reducen el riesgo de un funcionamiento no intencional de la herramienta.

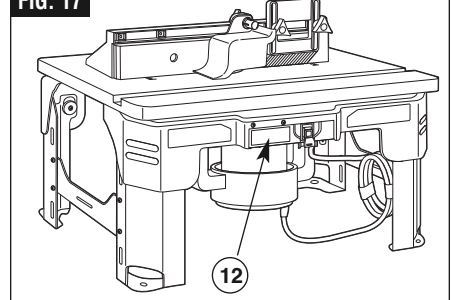
1. Conecte el cable eléctrico de la fresadora en una de las tomas eléctricas en la parte posterior de la caja del interruptor (12).
2. Enrolle el cable sobrante.
3. Envuelva dos pedazos de cinta de fricción o cable fuerte alrededor del cable enrollado en ambos extremos del rollo.
4. Deje cierta holgura de manera que el cable no se estire cuando se conecte en las tomas eléctricas de la caja del interruptor.
5. Si se desea, en este momento conecte el cable eléctrico de un accesorio, como una aspiradora de secado/mojado o una lámpara, en la otra toma.

**ADVERTENCIA** Antes de comenzar a trabajar, asegúrese de que los cables de corriente de la fresadora, accesorios, la caja del interruptor y el prolongador no puedan de ningún modo tener contacto con la fresadora o cualquier parte móvil de la misma. Tales medidas de precaución reducen el riesgo de lesión debido a la pérdida de control.

### Posición de los cables

Coloque el cable del interruptor y otros cables de energía de accesorios en la parte interna de las patas, luego en la base exterior de la mesa de fresado hacia un tomacorriente. Fije los cables a las patas con cinta aislante o abrazaderas. Esto evitará que los cables entren en contacto con las piezas en movimiento.

FIG. 17





# Operación de la mesa de fresado

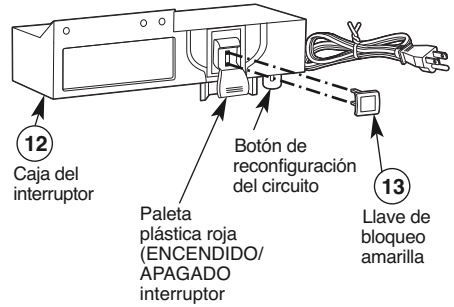
## FUNCIONAMIENTO DEL INTERRUPTOR (Fig. 18)

Esta sección explica el funcionamiento y las características del montaje de la caja del interruptor (B) antes de enchufar el cable de energía en un tomacorriente. El objetivo es familiarizar al usuario con el funcionamiento del interruptor sin tener que encender (ON) la fresadora.

La caja del interruptor (12) (Fig. 18) incluye una llave de bloqueo (13) para prevenir el uso sin autorización de terceros.

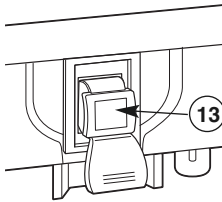
- La llave de bloqueo (13) es la parte amarilla ubicada en la parte superior de la paleta plástica roja. La llave de bloqueo amarilla **debe introducirse por completo** dentro de la parte superior de la paleta plástica roja y de la caja del interruptor (12) antes de que la paleta pueda encenderse (ON).
- El botón de reconfiguración del circuito de la caja del interruptor (12) se encuentra en el lado inferior derecho de la caja.

FIG. 18



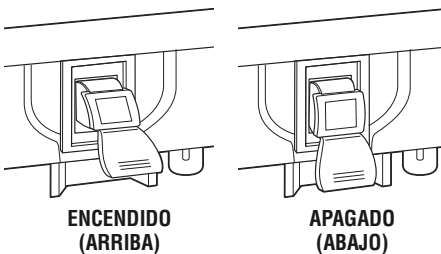
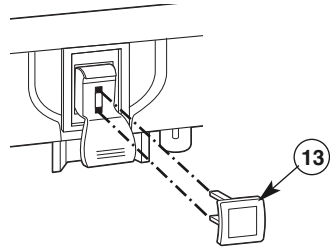
**ADVERTENCIA** Asegúrese de que el prolongador no esté conectado a un tomacorriente eléctrico antes de continuar.

1. Verifique que la llave de bloqueo amarilla (13) se encuentre introducida por completo en la parte superior de la paleta plástica roja.



2. Para encender (ON) la fresadora, levante la paleta plástica roja a la posición ENCENDIDO (ON).
3. Para apagar (OFF) la fresadora, presione la paleta plástica roja hasta la posición APAGADO (OFF).

4. Para evitar un uso no autorizado, el interruptor puede desactivarse quitando la llave de bloqueo amarilla (13) por completo de la parte superior de la paleta plástica roja.



# Operación de la mesa de fresado

**ADVERTENCIA** Antes de continuar, asegúrese de que el interruptor de la fresadora esté en la posición de APAGADO y que la ficha del interruptor esté en la posición de APAGADO.

**ADVERTENCIA** Nunca deje de prestar atención a la fresadora mientras esté funcionando o antes de detenerse completamente.

**ADVERTENCIA** Antes de comenzar a trabajar, asegure que los cables de corriente de la fresadora, accesorios, la caja del interruptor y el prolongador no puedan de ningún modo tener contacto con la fresadora o cualquier parte móvil de la misma. Tales medidas de precaución reducen el riesgo de lesiones debido a la pérdida de control.

El cable de energía del interruptor ahora puede enchufarse en un cable de extensión.

## OPERACIÓN DE LA FRESADORA Y DEL INTERRUPTOR

Esta sección explica la operación del interruptor con el cable de energía enchufado a un cable de extensión.

La fresadora se encenderá (ON) cuando se levante la paleta roja de la caja del interruptor a la posición ON (encendido).

1. Coloque el interruptor ON/OFF (encendido/apagado) en la posición ON (encendido). En algunas fresadoras esto requerirá el uso del interruptor de gatillo y del botón "LOCK-ON" (bloqueo en encendido). (Consulte el manual del propietario de la fresadora.) **Verifique que el interruptor de la caja del interruptor se encuentre en la posición OFF (apagado) antes de hacerlo.**
2. Para encender la fresadora, levante la paleta plástica roja a la posición ON (encendido). Ver página 73.
3. Para apagar la fresadora, presione la paleta plástica roja hasta la posición OFF (apagado). Ver página 73.

## BOTÓN DE RECONFIGURACIÓN DE CIRCUITO

**NOTA:** En el caso de una sobrecarga, el interruptor de circuito accionará la caja del interruptor a la posición OFF (apagado). Esto interrumpirá la energía hacia la fresadora y hacia cualquier accesorio enchufado dentro del interruptor. **Si esto ocurre, haga lo siguiente:**

1. Presione la paleta plástica roja en la posición OFF (apagado) y desenchufe el cable del interruptor del tomacorriente o cable de extensión.
2. Presione el interruptor de la fresadora en la posición OFF (apagado).
3. Quite la pieza de trabajo de la mesa de fresado.
4. Corrija la causa de la sobrecarga. Por ejemplo, si hay demasiados accesorios enchufados en el interruptor o el amperaje combinado supera la clasificación del interruptor, quite el accesorio. Otras causas incluyen la remoción de demasiado material o el uso de una velocidad de alimentación demasiado elevada.
5. Presione el botón del interruptor de circuitos ubicado en la parte inferior de la caja del interruptor.
6. Enchufe el cable de energía del interruptor dentro del tomacorriente o cable de extensión.
7. Vuelva a accionar la fresadora como se indica en la sección **OPERACIÓN DE LA FRESADORA Y DEL INTERRUPTOR** de esta página.

**ADVERTENCIA** Si la caja del interruptor no funciona e intento REINICIAR el circuito presionando el botón de reinicio como se describe a continuación:

- Desenchufe **TODAS** las conexiones eléctricas.
- Quite el interruptor de la mesa de fresado y solicite un interruptor de repuesto llamando al servicio de atención al cliente de SKIL al 1-877-SKIL999.

## CUANDO LA MESA DE FRESADO NO ESTÁ EN USO

1. Verifique que el interruptor se encuentre en la posición OFF (apagado).
2. Quite la llave de bloqueo (13). Ver página 73.
3. **Guarde la llave de bloqueo en un lugar seguro donde no puedan alcanzarla niños u otras personas sin autorización de uso.**
4. Desenchufe el cable de energía del interruptor del tomacorriente o cable de extensión.
5. Quite la broca de la fresadora.
6. Coloque el montaje del anillo de la fresadora debajo de la parte superior de la mesa de fresado.

**NOTA:** Si la llave se pierde o se daña, consiga una llave de repuesto llamando al servicio de atención al cliente de SKIL al 1-877-SKIL999.

### CÓMO USAR LA MESA DE FRESADO

#### CÓMO UNIR Y USAR UNA ASPIRADORA DE SECADO/MOJADO

**ADVERTENCIA** Antes de conectar la aspiradora a la caja del interruptor de la mesa de la fresadora, asegúrese de que el interruptor de la aspiradora esté APAGADO y que la caja del interruptor de la mesa de la fresadora esté desenchufada. Tales medidas de precaución reducen el riesgo de un funcionamiento no intencional de la herramienta.

**ADVERTENCIA** En total, no se deberán superar los 15 amperes al conectar la fresadora y cualquier otro accesorio tal como una luz o aspiradora. El interruptor posee una capacidad de 15 amperes.

La guía tiene un puerto para conectar una manguera aspiradora de secado/mojado con una boquilla de 2½". Para unir, simplemente empuje la boquilla en el puerto mientras sostiene la ensambladura de la guía en su lugar. La aspiradora se puede conectar en el interruptor de la mesa de fresado. Cerciérese de que el cable no interfiera con la operación de la fresadora.

**PRECAUCIÓN** Operar la mesa de fresado sin una aspiradora húmeda/seca puede resultar en una acumulación excesiva de aserrín y astillas de madera debajo del conjunto de la guía y tapa superior, reduciendo el rendimiento de la mesa de fresado y el conjunto de la guía.

**RECOMENDACIÓN:** Para maximizar el rendimiento, sin importar si se usa una aspiradora húmeda/seca, retire el aserrín y las astillas de la parte de abajo del conjunto de la guía y tapa superior según sea necesario.

**RECOMENDACIÓN:** Es una buena práctica mantener el área de trabajo limpia. Según sea necesario, retire el aserrín y las astillas acumulados de la superficie de la mesa de fresado, así como del área circundante de trabajo y del piso.

**ADVERTENCIA** Nunca coloque los dedos cerca de una broca que esté girando ni debajo de los protectores de seguridad cuando la fresadora se encuentre enchufada. Tales medidas de precaución reducen el riesgo de lesiones personales.

---

#### CÓMO INSTALAR LA BROCA DE LA FRESADORA (CORTADOR)

**ADVERTENCIA** Desconecte la fresadora del enchufe de corriente antes de realizar ajustes o cambiar accesorios. Tales medidas de precaución reducen el riesgo de un funcionamiento no intencional de la herramienta.

Instale la broca de acuerdo con las instrucciones incluidas con su fresadora. Debido a la gran variedad de brocas, ciertas unidades pueden no siempre funcionar de la manera deseada con esta mesa de fresado.

Para asegurar que la mayoría de las brocas comunes tengan un desempeño satisfactorio, instale la broca de manera que el portabrocas de la fresadora encaje 3/4" de la espiga de la broca de fresado. Si la espiga de la broca de fresado se sale del portabrocas, retroceda la broca de la fresadora aproximadamente 1/16" para permitir apretarla correctamente.

**NUNCA INSTALE BROCAS DE FRESADO CON MENOS DE 3/4" DE ENCAJE DE LA ESPIGA EN EL PORTABROCAS.**

# Operación de la mesa de fresado

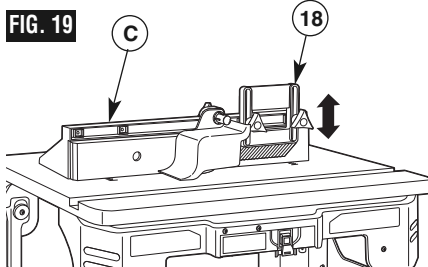
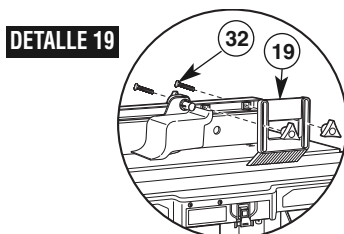
## CÓMO MONTAR LA TABLA DE BISELADO

**NOTA:** El costado superior/delantero de cada tabla de biselado está marcada para indicar la dirección correcta de alimentación.

### Tabla de biselado de la guía (Fig. 19 y Detalle 19)

1. Introduzca dos pernos de carruaje de 1/4-20 x 1 3/4" (32) a través de la parte trasera del montaje de la guía (C) y los orificios ranurados de la tabla de biselado (19). Ver detalle 19.
2. Coloque las perillas de sujeción (18) dentro de cada perno de carruaje (32) y ajuste cuando la tabla de biselado (19) se encuentre en la altura deseada.
3. La pieza de trabajo debe moverse con algo de resistencia pero sin requerir un gran esfuerzo.

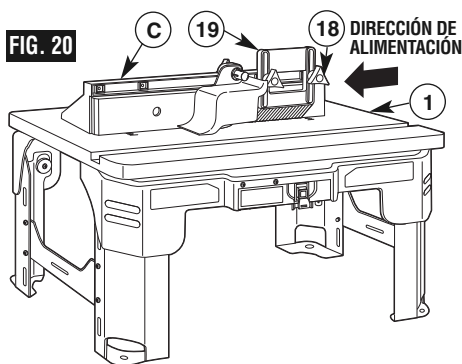
La tabla de biselado puede montarse en una de dos ubicaciones; en el lado derecho o izquierdo del montaje de la guía.



## CÓMO FRESAR UTILIZANDO TABLA DE BISELADO (Fig. 20)

La tabla de biselado resulta útil para controlar la pieza de trabajo mientras se realiza el fresado y para ayudar a mantener la pieza de trabajo en posición plana sobre la superficie de la mesa. La tabla de biselado de la guía ayuda a mantener la pieza de trabajo presionada contra la guía y la superficie de la mesa.

1. Afloje las perillas de fijación (18) de la tabla de biselado (19) hasta que ésta quede ajustable.
2. Coloque la pieza de trabajo en la mesa de fresado (1) para que quede bien colocada contra el montaje de la guía (C).
3. Coloque la tabla de biselado (19) firmemente contra la pieza de trabajo y ajuste las perillas de fijación (18).
4. La pieza de trabajo debe moverse con algo de resistencia pero sin requerir un gran esfuerzo.



**⚠ ADVERTENCIA** Nunca suelte la pieza de trabajo cuando esté realizando un fresado hasta haber completado el corte y que la pieza de trabajo esté completamente alejada de la broca. Tales medidas de precaución reducen el riesgo de lesiones personales y/o daños de la propiedad.

- Las tablas de biselado sirven de ayuda para sostener la pieza de trabajo en posición al fresar en una mesa de fresado.
- Su función NO es únicamente sostener la pieza de trabajo en su lugar cuando la misma esté en contacto con la broca, o en cualquier otro momento en que la broca esté girando.

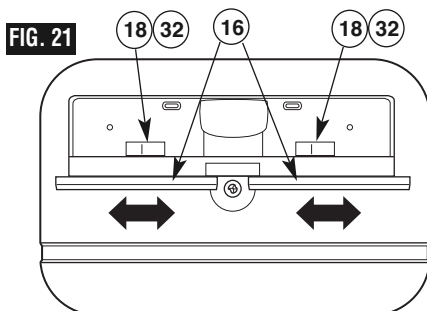
## Operación de la mesa de fresado

**⚠ ADVERTENCIA** Para fresar de forma precisa y con mayor control, la pieza de trabajo se deberá sostener contra la guía de la mesa de fresado al fresar.

### CÓMO AJUSTAR LAS PLACAS FRONTALES DE LA GUÍA (Fig. 21)

Las placas frontales derecha e izquierda de la guía se encuentran sujetas a la parte frontal de la guía de la mesa de fresado y pueden ajustarse hacia adentro o afuera desde la broca para permitir un espacio adecuado para diferentes tamaños de broca. A fin de brindar el mejor apoyo durante operaciones de fresado, las placas frontales de la guía deben hallarse lo más cerca posible de la broca sin entrar en contacto con la misma (comúnmente 1/4" desde la broca es una distancia adecuada).

1. Afloje la perilla de fijación (18) y perno de carruaje (32) que fijan las placas frontales de la guía (16) y deslice éstas últimas hacia adentro o hacia afuera desde la broca de la fresadora según sea necesario.



*La protección de seguridad no aparece para facilitar la claridad de visión.*

**⚠ ADVERTENCIA** Siempre sostenga la pieza de trabajo contra la guía de la mesa de fresado al fresar. Tales medidas de seguridad incrementan la precisión al fresar y mejoran el control de la pieza de trabajo, reduciendo el riesgo de lesiones personales.

2. Una vez que las placas frontales de la guía (16) se encuentran en la posición deseada, ajuste las perillas de fijación (18) y pernos de carruaje (32) FIRMEMENTE.

# Operación de la mesa de fresado

## CÓMO AJUSTAR LA PROFUNDIDAD Y LA ALTURA DEL CORTE (Fig. 22 y Detalle 22)

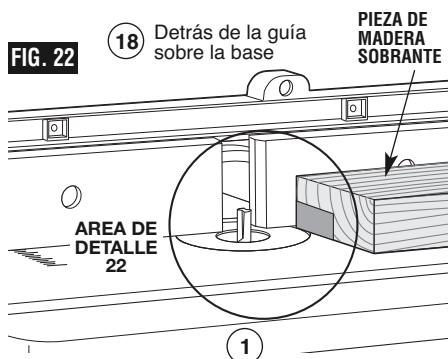
1. Seleccione una tabla suave y recta, con buenos bordes cuadrados.
2. Marque las líneas "A" y "B" en el extremo de la tabla, como aparece en el detalle 22.
  - La línea "A" indica la *altura de corte deseada*.
  - La línea "B" indica la *profundidad de corte deseada*.
  - El área delineada por "A", "B" y el borde de la tabla es el área que se va a cortar.
3. Si puede lograrse la profundidad de corte deseada en una sola pasada, desajuste las perillas de fijación de la guía y desplace la guía hacia delante o hacia atrás hasta que el filo exterior de la broca se encuentre alineado con la línea "B".

**NOTA:** Si desea realizar cortes más profundos, NO lo intente de una sola pasada. Realice varias pasadas menos profundas, y de manera progresiva desplace la guía hacia atrás hasta alcanzar la profundidad de corte deseada.

4. Revise nuevamente que la guía (1) esté paralela a la ranura de la barra de inglete, luego apriete **FIRMEMENTE** ambas perillas abrazaderas de la guía (18).

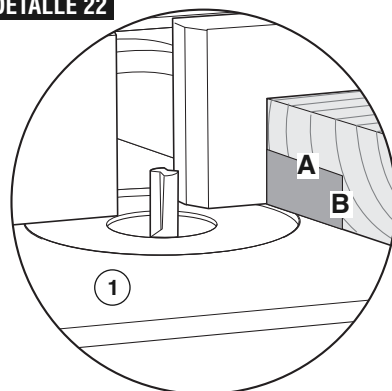
**⚠ ADVERTENCIA** Siempre asegúrese de que la guía y el protector de seguridad no puedan tener contacto con la broca de fresado. Si esto no se hace de dicho modo, se producirán daños sobre la mesa de fresado y esto podrá ocasionar lesiones personales.

5. Siguiendo las instrucciones que vienen con la fresadora, ajuste la altura de corte de la fresadora hasta que la parte superior de la broca de la fresadora se alinee con la línea "A".
6. Una vez se realicen todos los ajustes, verifique que:
  - La fresadora esté **FIRMEMENTE** apretada en la base de la fresadora.
  - La broca de la fresadora esté **FIRMEMENTE** apretada en el portabrocas de la fresadora, con al menos 3/4" de enganche de la espiga.
  - La base de la fresadora esté **FIRMEMENTE** apretada a la parte superior de la mesa de fresado.



La protección de seguridad no aparece para facilitar la claridad de visión.

### DETALLE 22



7. Retire la plancha de la mesa.

**NOTA:** Al hacer los ajustes, use una pieza de madera sobrante para hacer los cortes de ensayo antes de hacer el corte con la pieza de trabajo real.

8. Encienda la fresadora y realice el corte deseado en la pieza de trabajo.

## Operación de la mesa de fresado

### CORTE O UNION DEL BORDE COMPLETO (Figs. 23–25)

Para una mayor fuerza y exactitud, las tablas a unirse deben estar lisas y cuadradas. Los bordes deben estar alineados con las superficies de la pieza de trabajo. Se pueden nivelar los bordes mediante el uso de una mesa de fresado con una **broca recta**.

**NOTA:** Utilice la placa de cuña de alimentación de salida para brindar un apoyo continuo a la pieza de trabajo a medida que se la pasa a través de la broca.

**ADVERTENCIA** Desconecte la fresadora del enchufe de corriente antes de realizar ajustes o cambiar accesorios. Tales medidas de precaución reducen el riesgo de un funcionamiento no intencional de la herramienta.

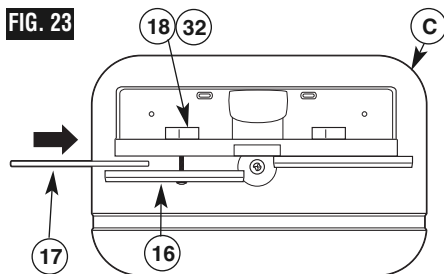
Si usted está utilizando una aspiradora húmeda/seca, ésta debe conectarse al puerto de vacío ubicado en la parte trasera del montaje de la guía.

1. Afloje la perilla de fijación (18) y perno de carruaje (32) que fijan la placa frontal de la guía de alimentación de salida (16).
2. Alinee la ranura de la placa de cuña de alimentación de salida (17) con los orificios de la placa frontal de la guía de alimentación de salida (16) y deslice la placa de cuña de alimentación de salida (17) entre el montaje de la guía (C) y la placa frontal de alimentación de salida (16) (Fig. 23).

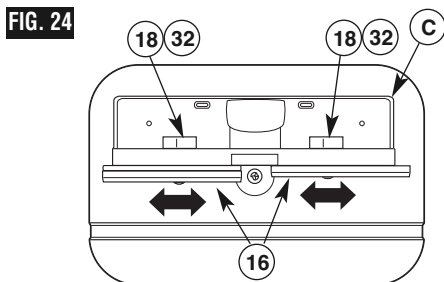
Utilice la placa de cuña de alimentación de salida para un desplazamiento de 1/16".

3. Instale una broca recta en la fresadora.
4. Coloque ambas placas frontales de la guía para que queden a una distancia de 1/4" de la broca (Fig. 24).
5. Ajuste ambas perillas de fijación (18) y pernos de carruaje (32) mientras sostiene las dos placas frontales (16) en su lugar.
6. Coloque una regla o una pieza recta de madera sobre la mesa (1) para que se apoye sobre la placa frontal de la guía de alimentación de salida (16).
7. Desplace la guía hacia atrás hasta que el borde recto quede alineado con el borde de corte de la broca y quede en contacto con la placa frontal de alimentación de salida (16).
8. Ajuste las perillas de fijación (18) y los pernos de carruaje (32).
9. Retire la regla o madera plana.
10. Ajuste la altura de la broca de modo que pueda cortar el espesor total de la pieza de trabajo.
11. Coloque las tablas de biselado (19), si se desea. Consulte la sección COMO FRESAR UTILIZANDO TABLA DE BISELADO, en la página 76.
12. Quite la tabla de la mesa (1) y verifique que la protección superior (15) se encuentre firme en su lugar.

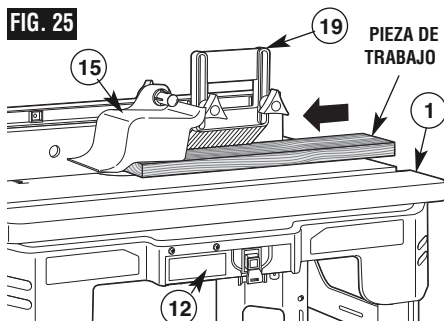
**NOTA:** Cuando realice ajustes, utilice un pedazo de madera de descarte para efectuar cortes de prueba antes de realizar el corte a la pieza de trabajo real.



La protección de seguridad no aparece para facilitar la claridad de visión.



La protección de seguridad no aparece para facilitar la claridad de visión.



13. Cerciórese de que tanto la fresadora como la caja del interruptor estén apagadas (OFF), luego conecte la fresadora en la caja del interruptor (12).
14. Mientras sostiene firmemente una pieza de sobrante de madera contra la guía y hacia abajo contra la mesa de fresado, alimente una pieza sobrante de madera hacia la broca en la dirección que indica la flecha en la Fig. 25.
15. Usando la caja del interruptor (12), apague la fresadora. Si se necesita algún ajuste, desconecte la fresadora y repita los pasos 6 a 11 hasta que todos los ajustes estén correctos. Una vez esté satisfecho con todos los niveles, haga el corte con la pieza de trabajo verdadera.

## Operación de la mesa de fresado

### CORTE DE BORDES CON BROCAS DE FRESADO NO PILOTEADAS (Figs. 26 y 27)

**ADVERTENCIA** Desconecte la fresadora del enchufe de corriente antes de realizar ajustes o cambiar accesorios. Tales medidas de precaución reducen el riesgo de un funcionamiento no intencional de la herramienta.

**NOTA:** Si se encuentra instalada la placa de cuña de alimentación de salida, quite la antes de continuar.

Quando use brocas de fresado no piloteadas, debe utilizar la guía para establecer la profundidad de corte. Para hacer cortes profundos, no intente cortar la profundidad total de una sola pasada. Repita el movimiento, dando pequeños cortes.

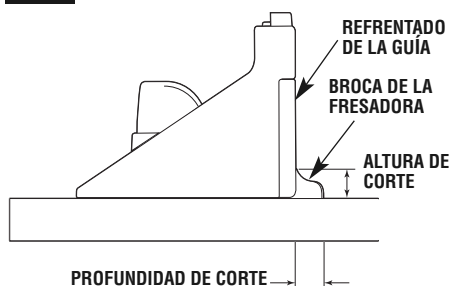
Si usted está utilizando una aspiradora húmeda/seca, ésta debe conectarse al puerto de vacío ubicado en la parte trasera del montaje de la guía.

1. Instale la broca deseada en la fresadora.
2. Siga las instrucciones de la página 78 a fin de establecer la profundidad y altura de corte deseadas (Fig. 26). Asegúrese de que la guía y la fresadora estén FIRMEMENTE en su lugar.
3. Coloque ambas placas frontales de la guía (16) para que queden a una distancia de 1/4" de la broca.
4. Ajuste las dos perillas de sujeción y pernos de carruaje sosteniendo las placas frontales (16) en su lugar.
5. Si lo desea, coloque la tabla de biselado (19). Ver CÓMO FRESAR UTILIZANDO TABLA DE BISELADO en la página 76.
6. Quite la tabla de la mesa (1) y verifique que la protección superior (15) se encuentre firme en su lugar.

**NOTA:** Al hacer ajustes, utilice una pieza de madera sobrante para realizar cortes de prueba antes de llevar a cabo el corte con la pieza de trabajo real.

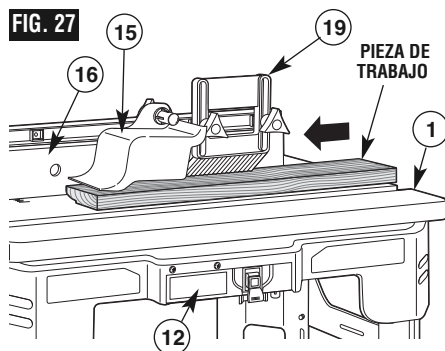
7. Cerciórese de que tanto la fresadora como la caja del interruptor estén apagadas (OFF), luego conecte la fresadora en la caja del interruptor (12).

FIG. 26



*La protección de seguridad no aparece para facilitar la claridad de visión.*

FIG. 27



8. Mientras sostiene firmemente una pieza de sobrante de madera contra la guía y hacia abajo contra la mesa de fresado (1), alimente una pieza sobrante de madera hacia la broca en la dirección que indica la flecha en la Fig. 27.
9. Usando la caja del interruptor (12), apague la fresadora. Si se necesita algún ajuste, desconecte la fresadora y repita los pasos 2 a 8 hasta que todos los ajustes estén correctos. Una vez esté satisfecho con todos los niveles, haga el corte con la pieza de trabajo verdadera.



# Operación de la mesa de fresado

## CORTE DE LOS BORDES CON BROCAS DE FRESADO PILOTEADAS (Figs. 28 y 29)

**ADVERTENCIA** Desconecte la fresadora del enchufe de corriente antes de realizar ajustes o cambiar accesorios. Tales medidas de precaución reducen el riesgo de un funcionamiento no intencional de la herramienta.

**NOTA:** Si se encuentra instalada la placa de cuña de alimentación de salida, quite la antes de continuar.

Si usted está utilizando una aspiradora húmeda/seca, ésta debe conectarse al puerto de vacío ubicado en la parte trasera del montaje de la guía.

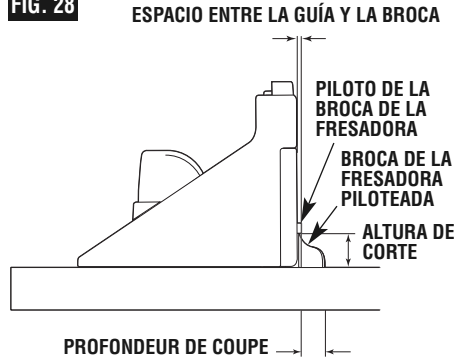
1. Instale la broca deseada en la fresadora.
2. Siga las instrucciones de la página 78 para establecer la altura de corte deseada (Fig. 28). Asegúrese de que la fresadora se encuentre firmemente en su lugar.
3. Ajuste la guía de la mesa de fresado hacia atrás de modo que el piloto de la broca pueda controlar la profundidad de corte. El piloto de la broca debe apenas sobresalir de las placas frontales de la guía (16). Ajuste las perillas de sujeción de la guía **FIRMEMENTE**.
4. Coloque ambas placas frontales de la guía (16) para que queden a una distancia de 1/4" de la broca.

5. Ajuste las dos perillas de sujeción y pernos de carruaje sosteniendo las placas frontales de la guía (16) en su lugar.
6. Quite la tabla de la mesa (1) y verifique que la protección superior (15) se encuentre firme en su lugar.

**NOTA:** Al hacer ajustes, utilice una pieza de madera sobrante para realizar cortes de prueba antes de llevar a cabo el corte con la pieza de trabajo real.

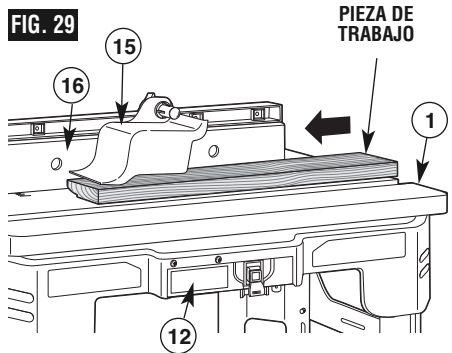
7. Cerciórese de que tanto la fresadora como la caja del interruptor estén apagadas (OFF), luego conecte la fresadora en la caja del interruptor (12).

FIG. 28



*La protección de seguridad no aparece para facilitar la claridad de visión.*

FIG. 29



8. Mientras sostiene firmemente una pieza sobrante de madera contra la placa frontal de la guía (16) y hacia abajo contra la mesa de fresado (1), alimente una pieza sobrante de madera hacia la broca en la dirección indicada por la flecha en la Fig. 29.
9. Usando la caja del interruptor (12), apague la fresadora. Si se necesita algún ajuste, desconecte la fresadora y repita los pasos 2 a 8 hasta que todos los ajustes estén correctos. Una vez esté satisfecho con todos los niveles, haga el corte con la pieza de trabajo verdadera.

## Operación de la mesa de fresado

### RANURAS, ACANALADURAS Y VETAS (Figs. 30 y 31)

**ADVERTENCIA** Desconecte la fresadora del enchufe de corriente antes de realizar ajustes o cambiar accesorios. Dichas medidas de precaución reducen el riesgo de operaciones no intencionales de las herramientas.

**NOTA:** Si se encuentra instalada la placa de cuña de alimentación de salida, quite la antes de continuar.

Cuando se realizan estas operaciones de fresado, se recomienda el uso de una tabla de biselado.

Para obtener los mejores resultados y alcanzar la mayor precisión, el lado de la pieza de trabajo que se ubicará contra la guía debe estar completamente apoyado y derecho.

Si usted está utilizando una aspiradora húmeda/seca, ésta debe conectarse al puerto de vacío ubicado en la parte trasera del montaje de la guía.

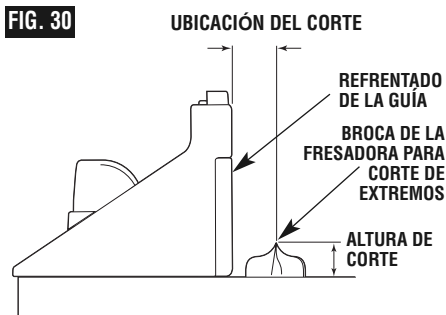
1. Instale la broca de corte de extremo deseada en la fresadora.
2. Siga las instrucciones de la página 78 para establecer la profundidad de corte (ubicación del corte) y altura de corte deseadas (Fig. 30). Asegúrese de que la guía y la fresadora se encuentren firmemente en su lugar.

**IMPORTANTE:** Para hacer cortes profundos, no intente cortar la profundidad total (controlada por la altura de broca de la fresadora) de una sola pasada. Repita el movimiento, dando pequeños cortes hasta lograr la profundidad deseada.

3. Coloque ambas placas frontales de la guía (16) para que brinden un apoyo continuo a la pieza de trabajo.
4. Ajuste las dos perillas de sujeción y pernos de carruaje sosteniendo las placas frontales de la guía (16) en su lugar.
5. Si lo desea, coloque la tabla de biselado (19). Ver **CÓMO FRESAR UTILIZANDO TABLA DE BISELADO** en la página 76.
6. Quite la tabla de la mesa (1) y verifique que la protección superior (15) se encuentre firme en su lugar.

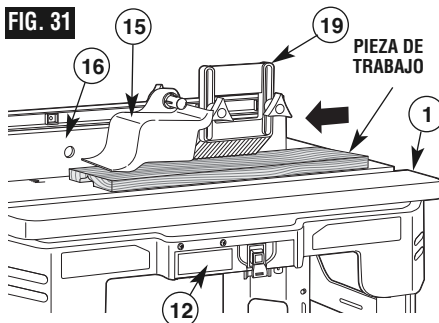
**NOTA:** Al hacer ajustes, utilice una pieza de madera sobrante para realizar cortes de prueba antes de llevar a cabo el corte con la pieza de trabajo real.

**FIG. 30**



*La protección de seguridad no aparece para facilitar la claridad de visión.*

**FIG. 31**



7. Cerciérese de que tanto la fresadora como la caja del interruptor (12) estén apagadas (OFF), luego conecte la fresadora en la caja del interruptor (12).
8. Mientras sostiene firmemente una pieza sobrante de madera contra la placa frontal de la guía (16) y hacia abajo contra la mesa de fresado (1), alimente una pieza sobrante de madera hacia la broca en la dirección indicada por la flecha en la Fig. 31.
9. Usando la caja del interruptor (12), apague la fresadora. Si se necesita algún ajuste, desconecte la fresadora y repita los pasos 2 a 8 hasta que todos los ajustes estén correctos. Una vez esté satisfecho con todos los niveles, haga el corte con la pieza de trabajo verdadera.

## Operación de la mesa de fresado

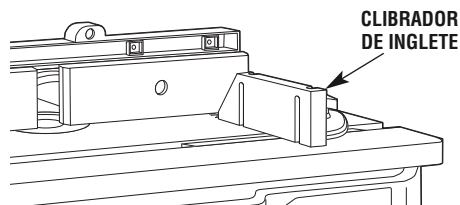
### CÓMO UTILIZAR UN CALIBRADOR DE INGLETE (Fig. 32)

La ranura de calibración de inglete de aluminio puede utilizarse en la gran mayoría de las ranuras de inglete de sierra de mesa fija que miden 3/4" de ancho x 3/8" de profundidad.

**NOTA:** Para TODAS las operaciones de fresado que requieran el uso del calibrador del inglete con la guía, ASEGÚRESE de alinear la guía con la ranura del calibrador del inglete de la mesa fresadora antes de realizar cualquier tipo de corte. Los ingletes pueden cortarse si se desajusta la perilla de la cabeza del transportador, se gira la cabeza del transportador a 60° en cualquier dirección y se vuelve a ajustar la perilla.

Haga una pasada de prueba con un pedazo de madera de descarte antes de efectuar un corte para asegurarse de que la guía esté bien alineada. Ajuste y sujete la guía firmemente antes de realizar el corte.

**FIG. 32**



*La protección de seguridad no aparece para facilitar la claridad de visión.*

---

© Robert Bosch Tool Corporation, 1800 W. Central Road, Mt. Prospect, IL 60056-2230

Exportado por: Robert Bosch Tool Corporation, Mt. Prospect, IL 60056-2230, E.U.A.

Importado en México por: Robert Bosch, S.A. de C.V., Calle Robert Bosch No. 405, Zona Industrial,  
Toluca, Edo. de México, C.P. 50070, Tel. (722) 279-2300