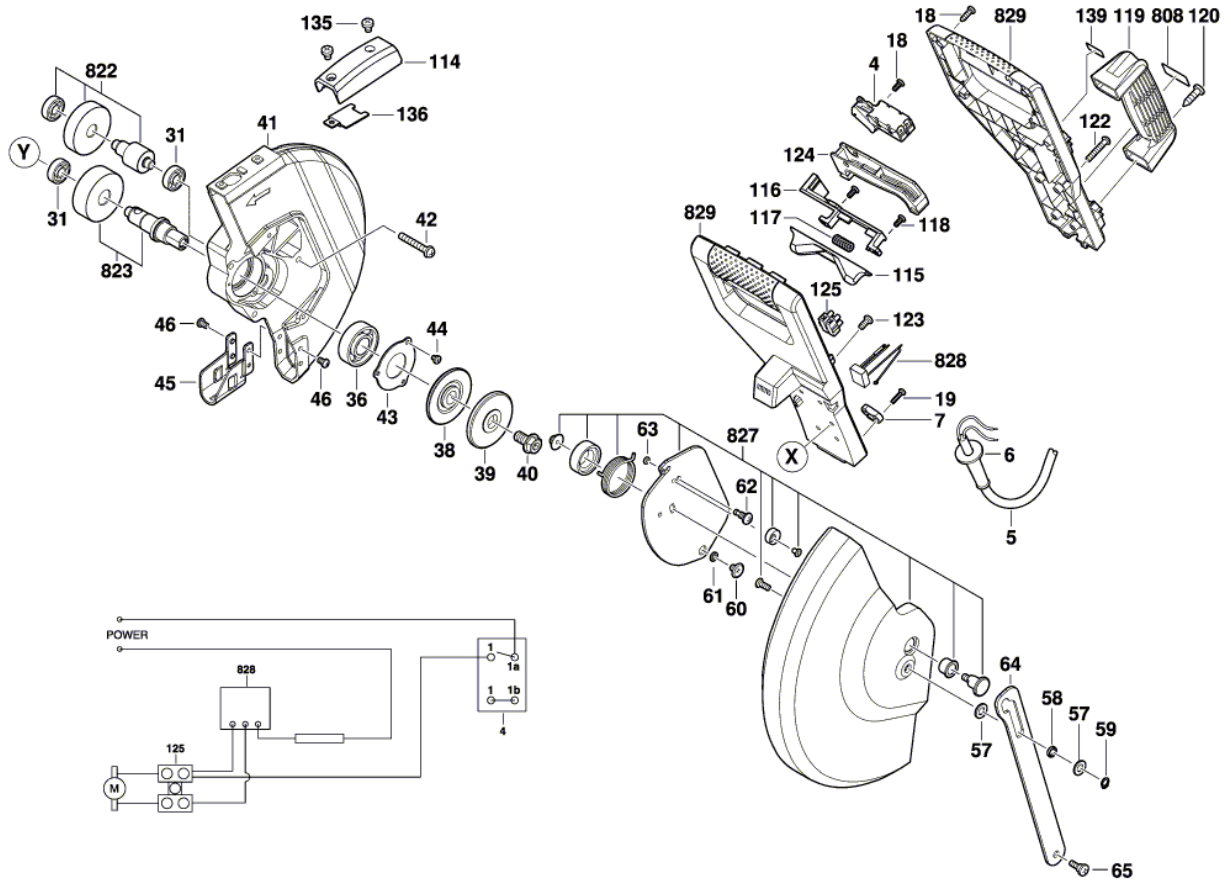




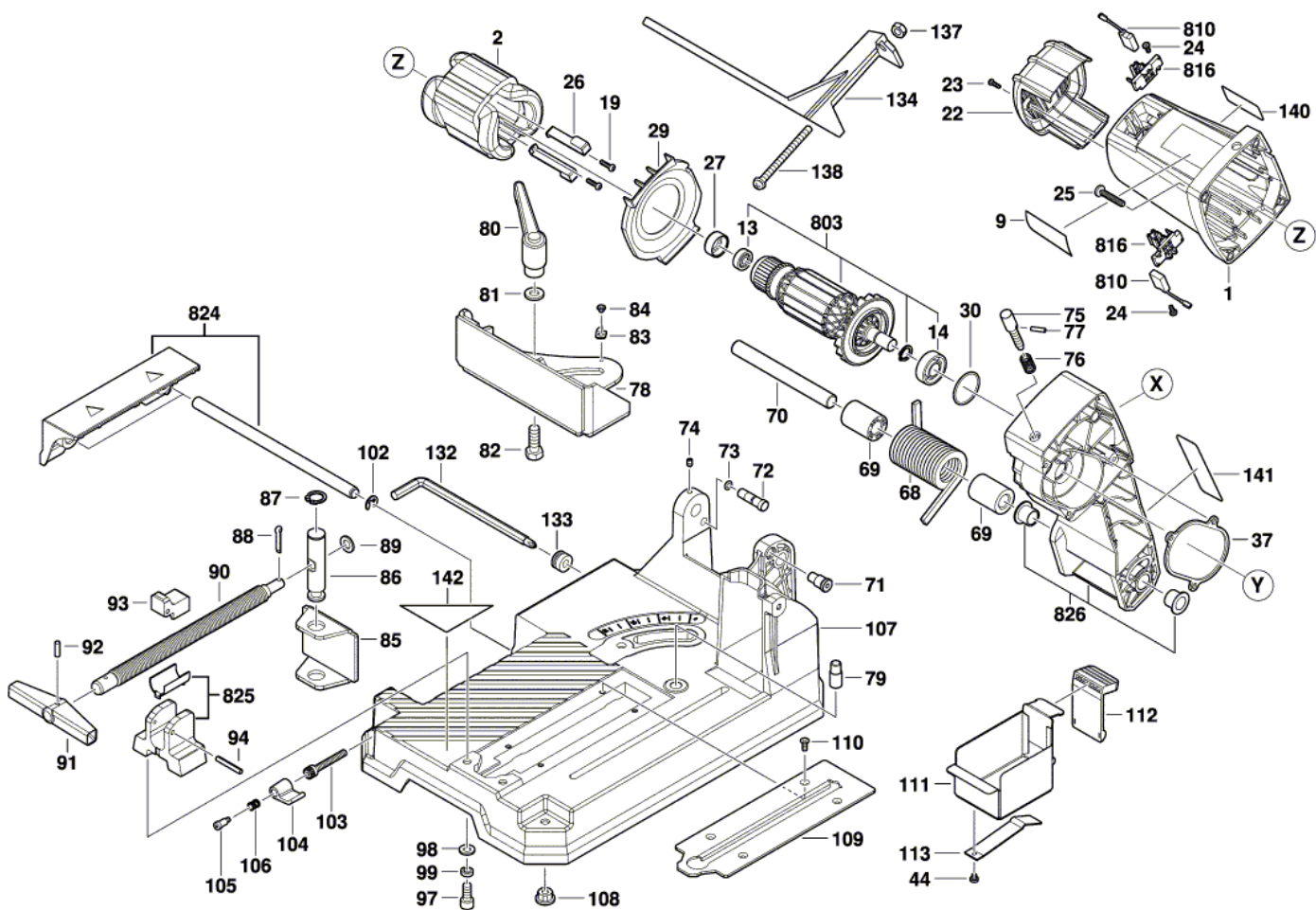
Product Description: Dry Cut Saw
Model Number: SPT62MTC-01
Body Number: 0120006003
Version: A
Issue Date: 2015/11/20



No.	Product Model#	Part Number	Description	Qty
1	SPT62MTC-01	3130253076	Motor Housing	1
2	SPT62MTC-01	2740520008	Field	1
4	SPT62MTC-01	4870696022	On-Off Switch	1
5	SPT62MTC-01	4810237017	Power Supply Cord	1
6	SPT62MTC-01	3130253077	Grommets	1
7	SPT62MTC-01	3130253078	Cable Clip	1
9	SPT62MTC-01	2244472023	Product Label	1
13	SPT62MTC-01	5700382021	Bearing	1
14	SPT62MTC-01	5700382022	Bearing	1
18	SPT62MTC-01	5610361079	Tapping Screw	6
19	SPT62MTC-01	5610361070	Screw	4
22	SPT62MTC-01	3130253079	End Cap	1
23	SPT62MTC-01	5610361071	Screw	2
24	SPT62MTC-01	5610361072	Screw	2
25	SPT62MTC-01	5610361073	Thread-Forming Tap	4
26	SPT62MTC-01	3706973043	Pickup Clip	2
27	SPT62MTC-01	5690438021	Rubber Ring	1
29	SPT62MTC-01	5690438022	Air-Deflector Ring	1
30	SPT62MTC-01	5690438023	O Ring	1
31	SPT62MTC-01	5700382023	Ball Bearing	3
36	SPT62MTC-01	5700382024	Ball Bearing	1
37	SPT62MTC-01	5690438026	Gasket	1
38	SPT62MTC-01	3580000007	Flange	1
39	SPT62MTC-01	3580000008	Flange	1
40	SPT62MTC-01	5640322004	Flange Bolt	1
41	SPT62MTC-01	2790501011	Gear Box	1
42	SPT62MTC-01	5610361074	Screw	4
43	SPT62MTC-01	3422506015	Bearing Cover	1
44	SPT62MTC-01	5610361075	Screw	4
45	SPT62MTC-01	3706973044	Chip Deflector	1
46	SPT62MTC-01	5610361088	Screw	4
57	SPT62MTC-01	5650710030	Plain Washer	2
58	SPT62MTC-01	3580000011	Bushing	1
59	SPT62MTC-01	5660288012	Retaining Clip	1
60	SPT62MTC-01	5610361089	Shoulder Screw	1
61	SPT62MTC-01	5650710031	Spring Washer	1
62	SPT62MTC-01	5610361076	Captive Screw	1
63	SPT62MTC-01	5690438024	O-Ring	1
64	SPT62MTC-01	3553285027	Linkage	1
65	SPT62MTC-01	5610361077	Screw	1
68	SPT62MTC-01	3660753021	Torsion Spring	1
69	SPT62MTC-01	3580000009	Bushing	2
70	SPT62MTC-01	3553285023	Pivot Shaft	1
71	SPT62MTC-01	5610361090	Control Screw	1
72	SPT62MTC-01	5670524007	Locking Pin	1
73	SPT62MTC-01	5690438025	O Ring	1
74	SPT62MTC-01	5610361078	Stop Screw	1
75	SPT62MTC-01	5670524012	Locking Pin	1
76	SPT62MTC-01	3660753022	Compression Spring	1
77	SPT62MTC-01	5670524013	Spring Pin	1
78	SPT62MTC-01	3130253080	Miter Fence	1
79	SPT62MTC-01	5670524008	Pivot Pin	1

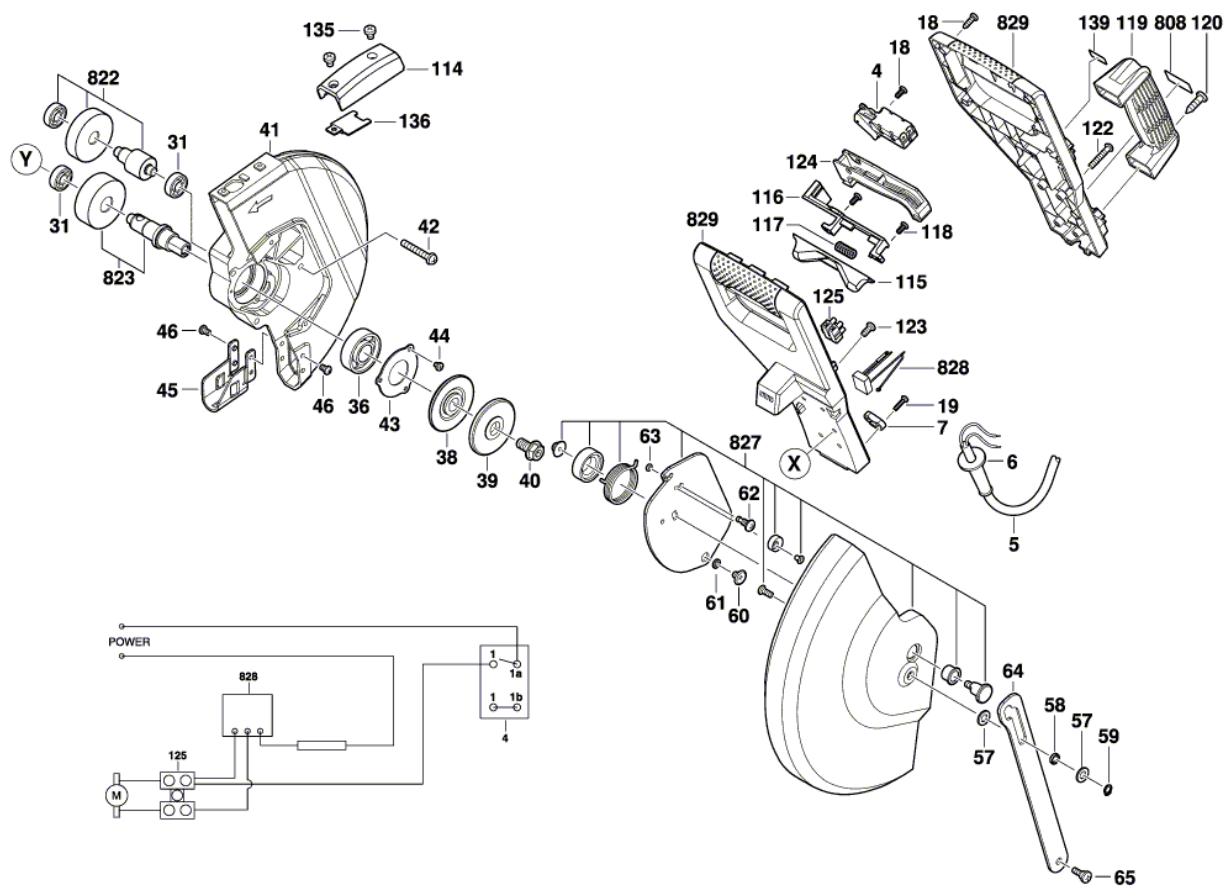
No.	Product Model#	Part Number	Description	Qty
80	SPT62MTC-01	3130253081	Lever	1
81	SPT62MTC-01	5650710032	Plain Washer	1
82	SPT62MTC-01	5640322005	Hexagon Bolt	1
83	SPT62MTC-01	3130253082	Pointer	1
84	SPT62MTC-01	5610361082	Screw	1
85	SPT62MTC-01	3553285024	Clamp Bracket	1
86	SPT62MTC-01	3553285025	Connecting Rod	1
87	SPT62MTC-01	5660288013	C-Clip	1
88	SPT62MTC-01	5670524011	Rivet Pin	1
89	SPT62MTC-01	5650710033	Plain Washer	1
90	SPT62MTC-01	5610361083	Clamp Screw	1
91	SPT62MTC-01	3422506020	Clamp Handle	1
92	SPT62MTC-01	5670524009	Spring Pin	1
93	SPT62MTC-01	3422506016	Clamping Block	1
94	SPT62MTC-01	5670524010	Spring Pin	1
97	SPT62MTC-01	5610361080	Socket Head Screw	2
98	SPT62MTC-01	5650710034	Plain Washer	2
99	SPT62MTC-01	5650710035	Spring Washer	2
102	SPT62MTC-01	5660288014	E Ring	2
103	SPT62MTC-01	5610361081	Left Extension Screw	1
104	SPT62MTC-01	3422506017	Left Extension Lever	1
105	SPT62MTC-01	5610361084	Left Extension Shoulder Screw	1
106	SPT62MTC-01	3660753023	Extension Spring	1
107	SPT62MTC-01	3422506018	Base	1
108	SPT62MTC-01	3130253083	Rubber Foot	5
109	SPT62MTC-01	3130253084	Guide Plate	1
110	SPT62MTC-01	5610361085	Screw	4
111	SPT62MTC-01	3130253085	Chip Box	1
112	SPT62MTC-01	3130253086	Protective Cover	1
113	SPT62MTC-01	3660753024	Leaf Spring	1
114	SPT62MTC-01	3130253087	Protecting Cover	1
115	SPT62MTC-01	3130253088	Button	1
116	SPT62MTC-01	3553285026	Linkage	1
117	SPT62MTC-01	3660753025	Compression Spring	1
118	SPT62MTC-01	5610361093	Screw	2
119	SPT62MTC-01	3422506019	Carrying Handle	1
120	SPT62MTC-01	5610361091	Screw	2
122	SPT62MTC-01	5610361086	Combo Screw	4
123	SPT62MTC-01	5610361087	Screw	1
124	SPT62MTC-01	3130253091	Trigger	1
125	SPT62MTC-01	4930857002	Terminal	1
132	SPT62MTC-01	5680258007	Offset Screwdriver	1
133	SPT62MTC-01	3580000010	Rubber Bushing	1
134	SPT62MTC-01	3130253089	Shield	1
135	SPT62MTC-01	5610361292	Screw	2
136	SPT62MTC-01	3130253090	Mounting Plate	1
137	SPT62MTC-01	5630352013	Self-Locking Nut	1
138	SPT62MTC-01	5610361092	Screw	1
139	SPT62MTC-01	2244472024	Warning Label	1
140	SPT62MTC-01	2244472025	Warning Label	1
141	SPT62MTC-01	2244472026	Warning Label	1
142	SPT62MTC-01	2244472027	Warning Label	1
803	SPT62MTC-01	2751218008	Armature Assembly	1

No.	Product Model#	Part Number	Description	Qty
808	SPT62MTC-01	2244472137	Nameplate	1
810	SPT62MTC-01	4960384009	Carbon-Brush Set	1
816	SPT62MTC-01	2800278007	Brush Holder	2
822	SPT62MTC-01	2790501003	Spindle With Gear	1
823	SPT62MTC-01	2790501004	Spindle With Gear	1
824	SPT62MTC-01	2826622073	Extension Stand	1
825	SPT62MTC-01	2826622074	Bearing Block	1
826	SPT62MTC-01	2826622075	Arm	1
827	SPT62MTC-01	2826622076	Lower Guard	1
828	SPT62MTC-01	2830631001	Soft Start-Up Module	1
829	SPT62MTC-01	2826622077	Switch Handle Assembly	1





Product Description: Dry Cut Saw
Model Number: SPT62MTC-22
Body Number: 0120006004
Version: A
Issue Date: 2015/11/20



No.	Product Model#	Part Number	Description	Qty
1	SPT62MTC-22	3130253076	Motor Housing	1
2	SPT62MTC-22	2740520008	Field	1
4	SPT62MTC-22	4870696022	On-Off Switch	1
5	SPT62MTC-22	4810237017	Power Supply Cord	1
6	SPT62MTC-22	3130253077	Grommets	1
7	SPT62MTC-22	3130253078	Cable Clip	1
9	SPT62MTC-22	2244472023	Product Label	1
13	SPT62MTC-22	5700382021	Bearing	1
14	SPT62MTC-22	5700382022	Bearing	1
18	SPT62MTC-22	5610361079	Tapping Screw	6
19	SPT62MTC-22	5610361070	Screw	4
22	SPT62MTC-22	3130253079	End Cap	1
23	SPT62MTC-22	5610361071	Screw	2
24	SPT62MTC-22	5610361072	Screw	2
25	SPT62MTC-22	5610361073	Thread-Forming Tap	4
26	SPT62MTC-22	3706973043	Pickup Clip	2
27	SPT62MTC-22	5690438021	Rubber Ring	1
29	SPT62MTC-22	5690438022	Air-Deflector Ring	1
30	SPT62MTC-22	5690438023	O Ring	1
31	SPT62MTC-22	5700382023	Ball Bearing	3
36	SPT62MTC-22	5700382024	Ball Bearing	1
37	SPT62MTC-22	5690438026	Gasket	1
38	SPT62MTC-22	3580000007	Flange	1
39	SPT62MTC-22	3580000008	Flange	1
40	SPT62MTC-22	5640322004	Flange Bolt	1
41	SPT62MTC-22	2790501011	Gear Box	1
42	SPT62MTC-22	5610361074	Screw	4
43	SPT62MTC-22	3422506015	Bearing Cover	1
44	SPT62MTC-22	5610361075	Screw	4
45	SPT62MTC-22	3706973044	Chip Deflector	1
46	SPT62MTC-22	5610361088	Screw	4
57	SPT62MTC-22	5650710030	Plain Washer	2
58	SPT62MTC-22	3580000011	Bushing	1
59	SPT62MTC-22	5660288012	Retaining Clip	1
60	SPT62MTC-22	5610361089	Shoulder Screw	1
61	SPT62MTC-22	5650710031	Spring Washer	1
62	SPT62MTC-22	5610361076	Captive Screw	1
63	SPT62MTC-22	5690438024	O-Ring	1
64	SPT62MTC-22	3553285027	Linkage	1
65	SPT62MTC-22	5610361077	Screw	1
68	SPT62MTC-22	3660753021	Torsion Spring	1
69	SPT62MTC-22	3580000009	Bushing	2
70	SPT62MTC-22	3553285023	Pivot Shaft	1
71	SPT62MTC-22	5610361090	Control Screw	1
72	SPT62MTC-22	5670524007	Locking Pin	1
73	SPT62MTC-22	5690438025	O Ring	1
74	SPT62MTC-22	5610361078	Stop Screw	1
75	SPT62MTC-22	5670524012	Locking Pin	1
76	SPT62MTC-22	3660753022	Compression Spring	1
77	SPT62MTC-22	5670524013	Spring Pin	1
78	SPT62MTC-22	3130253080	Miter Fence	1
79	SPT62MTC-22	5670524008	Pivot Pin	1

No.	Product Model#	Part Number	Description	Qty
80	SPT62MTC-22	3130253081	Lever	1
81	SPT62MTC-22	5650710032	Plain Washer	1
82	SPT62MTC-22	5640322005	Hexagon Bolt	1
83	SPT62MTC-22	3130253082	Pointer	1
84	SPT62MTC-22	5610361082	Screw	1
85	SPT62MTC-22	3553285024	Clamp Bracket	1
86	SPT62MTC-22	3553285025	Connecting Rod	1
87	SPT62MTC-22	5660288013	C-Clip	1
88	SPT62MTC-22	5670524011	Rivet Pin	1
89	SPT62MTC-22	5650710033	Plain Washer	1
90	SPT62MTC-22	5610361083	Clamp Screw	1
91	SPT62MTC-22	3422506020	Clamp Handle	1
92	SPT62MTC-22	5670524009	Spring Pin	1
93	SPT62MTC-22	3422506016	Clamping Block	1
94	SPT62MTC-22	5670524010	Spring Pin	1
97	SPT62MTC-22	5610361080	Socket Head Screw	2
98	SPT62MTC-22	5650710034	Plain Washer	2
99	SPT62MTC-22	5650710035	Spring Washer	2
102	SPT62MTC-22	5660288014	E Ring	2
103	SPT62MTC-22	5610361081	Left Extension Screw	1
104	SPT62MTC-22	3422506017	Left Extension Lever	1
105	SPT62MTC-22	5610361084	Left Extension Shoulder Screw	1
106	SPT62MTC-22	3660753023	Extension Spring	1
107	SPT62MTC-22	3422506018	Base	1
108	SPT62MTC-22	3130253083	Rubber Foot	5
109	SPT62MTC-22	3130253084	Guide Plate	1
110	SPT62MTC-22	5610361085	Screw	4
111	SPT62MTC-22	3130253085	Chip Box	1
112	SPT62MTC-22	3130253086	Protective Cover	1
113	SPT62MTC-22	3660753024	Leaf Spring	1
114	SPT62MTC-22	3130253087	Protecting Cover	1
115	SPT62MTC-22	3130253088	Button	1
116	SPT62MTC-22	3553285026	Linkage	1
117	SPT62MTC-22	3660753025	Compression Spring	1
118	SPT62MTC-22	5610361093	Screw	2
119	SPT62MTC-22	3422506019	Carrying Handle	1
120	SPT62MTC-22	5610361091	Screw	2
122	SPT62MTC-22	5610361086	Combo Screw	4
123	SPT62MTC-22	5610361087	Screw	1
124	SPT62MTC-22	3130253091	Trigger	1
125	SPT62MTC-22	4930857002	Terminal	1
132	SPT62MTC-22	5680258007	Offset Screwdriver	1
133	SPT62MTC-22	3580000010	Rubber Bushing	1
134	SPT62MTC-22	3130253089	Shield	1
135	SPT62MTC-22	5610361292	Screw	2
136	SPT62MTC-22	3130253090	Mounting Plate	1
137	SPT62MTC-22	5630352013	Self-Locking Nut	1
138	SPT62MTC-22	5610361092	Screw	1
139	SPT62MTC-22	2244472024	Warning Label	1
140	SPT62MTC-22	2244472025	Warning Label	1
141	SPT62MTC-22	2244472026	Warning Label	1
142	SPT62MTC-22	2244472027	Warning Label	1
803	SPT62MTC-22	2751218008	Armature Assembly	1

No.	Product Model#	Part Number	Description	Qty
808	SPT62MTC-22	2244472137	Nameplate	1
810	SPT62MTC-22	4960384009	Carbon-Brush Set	1
816	SPT62MTC-22	2800278007	Brush Holder	2
822	SPT62MTC-22	2790501003	Spindle With Gear	1
823	SPT62MTC-22	2790501004	Spindle With Gear	1
824	SPT62MTC-22	2826622073	Extension Stand	1
825	SPT62MTC-22	2826622074	Bearing Block	1
826	SPT62MTC-22	2826622075	Arm	1
827	SPT62MTC-22	2826622076	Lower Guard	1
828	SPT62MTC-22	2830631001	Soft Start-Up Module	1
829	SPT62MTC-22	2826622077	Switch Handle Assembly	1