

**IMPORTANT:**  
**Read Before Using**

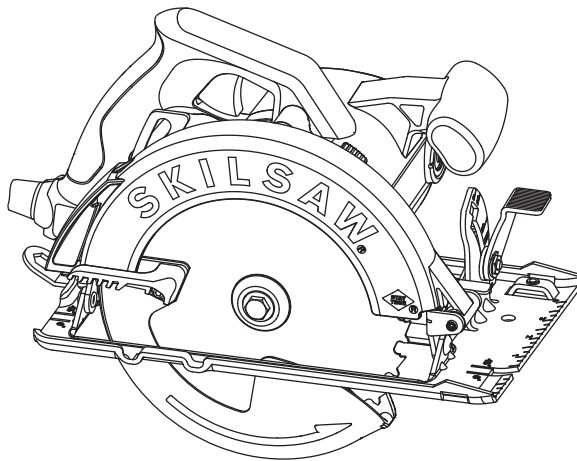
**IMPORTANT :**  
**Lire avant usage**

**IMPORTANTE:**  
**Leer antes de usar**



**Operating/Safety Instructions**  
**Consignes de fonctionnement/sécurité**  
**Instrucciones de funcionamiento y seguridad**

**SPT67WE**



**Call Toll Free for  
Consumer Information  
& Service Locations**

**Pour obtenir des informations  
et les adresses de nos centres  
de service après-vente,  
appelez ce numéro gratuit**

**Llame gratis para  
obtener información  
para el consumidor y  
ubicaciones de servicio**

**1-877-SKIL999 (1-877-754-5999) [www.skilsaw.com](http://www.skilsaw.com)**

**For English Version  
See page 2**

**Version française  
Voir page 16**

**Versión en español  
Ver la página 30**

## General Power Tool Safety Warnings



### WARNING

Read all safety warnings and all instructions. Failure to follow the warnings and instructions may result in electric shock, fire and/or serious injury.

### SAVE ALL WARNINGS AND INSTRUCTIONS FOR FUTURE REFERENCE

The term “power tool” in the warnings refers to your mains-operated (corded) power tool or battery-operated (cordless) power tool.

#### Work area safety

**Keep work area clean and well lit.** Cluttered or dark areas invite accidents.

**Do not operate power tools in explosive atmospheres, such as in the presence of flammable liquids, gases or dust.** Power tools create sparks which may ignite the dust or fumes.

**Keep children and bystanders away while operating a power tool.** Distractions can cause you to lose control.

#### Electrical safety

**Power tool plugs must match the outlet. Never modify the plug in any way. Do not use any adapter plugs with earthed (grounded) power tools.** Unmodified plugs and matching outlets will reduce risk of electric shock.

**Avoid body contact with earthed or grounded surfaces such as pipes, radiators, ranges and refrigerators.** There is an increased risk of electric shock if your body is earthed or grounded.

**Do not expose power tools to rain or wet conditions.** Water entering a power tool will increase the risk of electric shock.

**Do not abuse the cord. Never use the cord for carrying, pulling or unplugging the power tool. Keep cord away from heat, oil, sharp edges or moving parts.** Damaged or entangled cords increase the risk of electric shock.

**When operating a power tool outdoors, use an extension cord suitable for outdoor use.** Use of a cord suitable for outdoor use reduces the risk of electric shock.

**If operating a power tool in a damp location is unavoidable, use a Ground Fault Circuit Interrupter (GFCI) protected supply.** Use of an GFCI reduces the risk of electric shock.

#### Personal safety

**Stay alert, watch what you are doing and use common sense when operating a**

**power tool. Do not use a power tool while you are tired or under the influence of drugs, alcohol or medication.** A moment of inattention while operating power tools may result in serious personal injury.

**Use personal protective equipment. Always wear eye protection.** Protective equipment such as dust mask, non-skid safety shoes, hard hat, or hearing protection used for appropriate conditions will reduce personal injuries.

**Prevent unintentional starting. Ensure the switch is in the off-position before connecting to power source and / or battery pack, picking up or carrying the tool.** Carrying power tools with your finger on the switch or energizing power tools that have the switch on invites accidents.

**Remove any adjusting key or wrench before turning the power tool on.** A wrench or a key left attached to a rotating part of the power tool may result in personal injury.

**Do not overreach. Keep proper footing and balance at all times.** This enables better control of the power tool in unexpected situations.

**Dress properly. Do not wear loose clothing or jewelry. Keep your hair, clothing and gloves away from moving parts.** Loose clothes, jewelry or long hair can be caught in moving parts.

**If devices are provided for the connection of dust extraction and collection facilities, ensure these are connected and properly used.** Use of dust collection can reduce dust-related hazards.

#### Power tool use and care

**Do not force the power tool. Use the correct power tool for your application.** The correct power tool will do the job better and safer at the rate for which it was designed.

**Do not use the power tool if the switch does not turn it on and off.** Any power tool that cannot be controlled with the switch is dangerous and must be repaired.

**Disconnect the plug from the power source and/or the battery pack from the power tool before making any adjustments, changing accessories, or storing power tools.** Such preventive safety measures reduce the risk of starting the power tool accidentally.

**Store idle power tools out of the reach of children and do not allow persons unfamiliar with the power tool or these instructions to operate the power tool.** Power tools are dangerous in the hands of untrained users.

**Maintain power tools. Check for misalignment or binding of moving parts, breakage of parts and any other condition that may affect the power tool's operation. If damaged, have the power tool repaired before use.** Many accidents are caused by poorly maintained power tools.

**Keep cutting tools sharp and clean.** Properly maintained cutting tools with sharp cutting edges are less likely to bind and are easier to control.

**Use the power tool, accessories and tool bits etc. in accordance with these instructions, taking into account the working conditions and the work to be performed.** Use of the power tool for operations different from those intended could result in a hazardous situation.

### Service

**Have your power tool serviced by a qualified repair person using only identical replacement parts.** This will ensure that the safety of the power tool is maintained.

## Safety Rules for Circular Saws

**⚠ WARNING** Read all safety warnings and all instructions.

**⚠ DANGER** Keep hands away from cutting area and the blade. **Keep your second hand on auxiliary handle, or motor housing.** If both hands are holding the saw, they cannot be cut by the blade.

**Do not reach underneath the workpiece.** The guard cannot protect you from the blade below the workpiece.

**Adjust the cutting depth to the thickness of the workpiece.** Less than a full tooth of the blade teeth should be visible below the workpiece.

**Never hold piece being cut in your hands or across your leg. Secure the workpiece to a stable platform.** It is important to support the work properly to minimize body exposure, blade binding, or loss of control.

**Hold the power tool by insulated gripping surfaces only, when performing an operation where the cutting tool may contact hidden wiring or its own cord.** Contact with a "live" wire will also make exposed metal parts of the power tool "live" and could give the operator an electric shock.

**When ripping, always use a rip fence or straight edge guide.** This improves the accuracy of cut and reduces the chance of blade binding.

**Always use blades with correct size and shape (diamond versus round) of arbor holes.** Blades that do not match the mounting hardware of the saw will run eccentrically, causing loss of control.

**Never use damaged or incorrect blade washers or bolt.** The blade washers and bolt were specially designed for your saw, for optimum performance and safety of operation.

**Inspect the condition and quality of the wood and remove all nails from lumber before cutting.** Wet lumber, green lumber or pressure treated lumber require special attention during cutting operation to prevent kickback.

**Hold the saw firmly to prevent loss of control.** Figures in this manual illustrate typical hand support of the saw.

**Depending upon use, the switch may not last the life of the saw. If the switch should fail in the "OFF" position, the saw may not start. If it should fail while the saw is running, the saw may not shut off.** If either occurs, unplug the saw immediately and do not use until repaired.

**This circular saw should not be mounted to a table and converted to a table saw.** Circular saws are not designed or intended to be used as table saws.

## Kickback causes and related warnings

Kickback is a sudden reaction to a pinched, bound or misaligned saw blade, causing an uncontrolled saw to lift up and out of the workpiece toward the operator.

When the blade is pinched or bound tightly by the kerf closing down, the blade stalls and the motor reaction drives the unit rapidly back toward the operator.

If the blade becomes twisted or misaligned in the cut, the teeth at the back edge of the blade can dig into the top surface of the wood causing the blade to climb out of the kerf and jump back toward the operator.

Kickback is the result of tool misuse and/or incorrect operating procedures or conditions and can be avoided by taking proper precautions as given below:

**Maintain a firm grip with both hands on the saw and position your arms to resist kickback forces. Position your body to either side of the blade, but not in line with the blade.** Kickback could cause the saw to jump backwards, but kickback forces can be controlled by the operator, if proper precautions are taken.

**When blade is binding, or when interrupting a cut for any reason, release the trigger and hold the saw motionless in the material until the blade comes to a complete stop. Never attempt to remove the saw from the work or pull the saw backward while the blade is in motion or kickback may occur.** Investigate and take corrective action to eliminate the cause of blade binding.

**When restarting a saw in the workpiece, center the saw blade in the kerf and check that saw teeth are not engaged into the material.** If saw blade is binding, it may walk up or kickback from the workpiece as the saw is restarted.

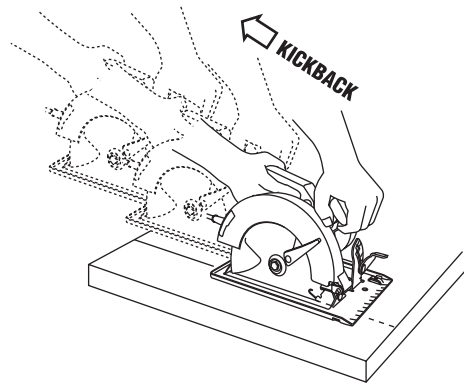
**Support large panels to minimize the risk of blade pinching and kickback.** Large panels tend to sag under their own weight. Supports must be placed under the panel on both sides, near the line of cut and near the edge of the panel.

**Do not use dull or damaged blades.** Unsharpened or improperly set blades produce narrow kerf causing excessive friction, blade binding and kickback.

**Blade depth and bevel adjusting locking levers must be tight and secure before making cut.** If blade adjustment shifts while cutting, it may cause binding and kickback.

**Use extra caution when sawing into existing walls or other blind areas.** The protruding blade may cut objects that can cause kickback.

**The blade washers and the bolt on your saw have been designed to work as a clutch to reduce the intensity of a kickback. Understand the operation and settings of the VARI-TORQUE CLUTCH.** The proper setting of the clutch, combined with firm handling of the saw will allow you to control kickback.



**Never place your hand behind the saw blade.** Kickback could cause the saw to jump backwards over your hand.

**Do not use the saw with an excessive depth of cut setting.** Too much blade exposure increases the likelihood of the blade twisting in the kerf and increases the surface area of the blade available for pinching that leads to kickback.

### Lower guard function

**Check lower guard for proper closing before each use. Do not operate the saw if lower guard does not move freely and close instantly. Never clamp or tie the lower guard into the open position.** If saw is accidentally dropped, lower guard may be bent. Raise the lower guard with the lower guard lift lever and make sure it moves freely and does not touch the blade or any other part, in all angles and depths of cut.

**Check the operation of the lower guard spring. If the guard and the spring are not**

**operating properly, they must be serviced before use.** Lower guard may operate sluggishly due to damaged parts, gummy deposits, or a build-up of debris.

**Lower guard should be retracted manually only for special cuts such as “Plunge Cuts” and “Compound Cuts”.** Raise lower guard by Lower Guard Lift lever and as soon as blade enters the material, the lower guard must be released. For all other sawing, the lower guard should operate automatically.

**Always observe that the lower guard is covering the blade before placing saw down on bench or floor.** An unprotected, coasting blade will cause the saw to walk

backwards, cutting whatever is in its path. Be aware of the time it takes for the blade to stop after switch is released.

**Do not run the tool while carrying it at your side. Lower guard may be opened by a contact with your clothing.** Accidental contact with the spinning saw blade could result in serious personal injury.

**Periodically remove the blade, clean the upper, lower guards and the hub area with kerosene and wipe it dry, or blow it clean with compressed air.** Preventive maintenance and properly operating guard will reduce the probability of an accident.

## Additional Safety Warnings

GFCI and personal protection devices like electrician’s rubber gloves and footwear will further enhance your personal safety.

**Do not use AC only rated tools with a DC power supply.** While the tool may appear to work, the electrical components of the AC rated tool are likely to fail and create a hazard to the operator.

**Keep handles dry, clean and free from oil and grease.** Slippery hands cannot safely control the power tool.

**Use clamps or other practical way to secure and support the workpiece to a stable platform.** Holding the work by hand or against your body is unstable and may lead to loss of control.

**Develop a periodic maintenance schedule for your tool. When cleaning a tool be careful not to disassemble any portion of the tool since internal wires may be misplaced or pinched or safety guard return springs may be improperly mounted.** Certain cleaning agents such as gasoline, carbon tetrachloride, ammonia, etc. may damage plastic parts.

Risk of injury to user. The power cord must only be serviced by a Skil Factory Service Center or Authorized Skil Service Station.




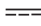




**⚠ WARNING** **Some dust created by power sanding, sawing, grinding, drilling, and other construction activities contains chemicals known to cause cancer, birth defects or other reproductive harm. Some examples of these chemicals are:**

- Lead from lead-based paints,
- Crystalline silica from bricks and cement and other masonry products, and
- Arsenic and chromium from chemically-treated lumber.

Your risk from these exposures varies, depending on how often you do this type of work. To reduce your exposure to these chemicals: work in a well ventilated area, and work with approved safety equipment, such as those dust masks that are specially designed to filter out microscopic particles.










## Symbols

**IMPORTANT:** Some of the following symbols may be used on your tool. Please study them and learn their meaning. Proper interpretation of these symbols will allow you to operate the tool better and safer.

Symbol	Designation / Explanation
V	Volts (voltage)
A	Amperes (current)
Hz	Hertz (frequency, cycles per second)
W	Watt (power)
kg	Kilograms (weight)
min	Minutes (time)
s	Seconds (time)
$\varnothing$	Diameter (size of drill bits, grinding wheels, etc.)
$n_0$	No load speed (rotational speed at no load)
n	Rated speed (maximum attainable speed)
.../min	Revolutions or reciprocation per minute (revolutions, strokes, surface speed, orbits etc. per minute)
0	Off position (zero speed, zero torque...)
1, 2, 3, ... I, II, III,	Selector settings (speed, torque or position settings. Higher number means greater speed)
	Infinitely variable selector with off (speed is increasing from 0 setting)
	Arrow (action in the direction of arrow)
	Alternating current (type or a characteristic of current)
	Direct current (type or a characteristic of current)
	Alternating or direct current (type or a characteristic of current)
	Class II construction (designates double insulated construction tools)
	Earthing terminal (grounding terminal)
	Warning symbol (alerts user to warning messages)

## Symbols (continued)

**IMPORTANT:** Some of the following symbols may be used on your tool. Please study them and learn their meaning. Proper interpretation of these symbols will allow you to operate the tool better and safer.

Symbol	Designation / Explanation
	Alerts user to read manual
	Alerts user to wear eye protection
	This symbol designates that this tool is listed by Underwriters Laboratories.
	This symbol designates that this component is recognized by Underwriters Laboratories.
	This symbol designates that this tool is listed by Underwriters Laboratories, to United States and Canadian Standards.
	This symbol designates that this tool is listed by the Canadian Standards Association.
	This symbol designates that this tool is listed by the Canadian Standards Association, to United States and Canadian Standards.
	This symbol designates that this tool is listed by the Intertek Testing Services, to United States and Canadian Standards.
	This symbol designates that this tool complies to NOM Mexican Standards.

### Conforms to

UL Standard No. 60745-1 and 60745-2-5

### Certified to

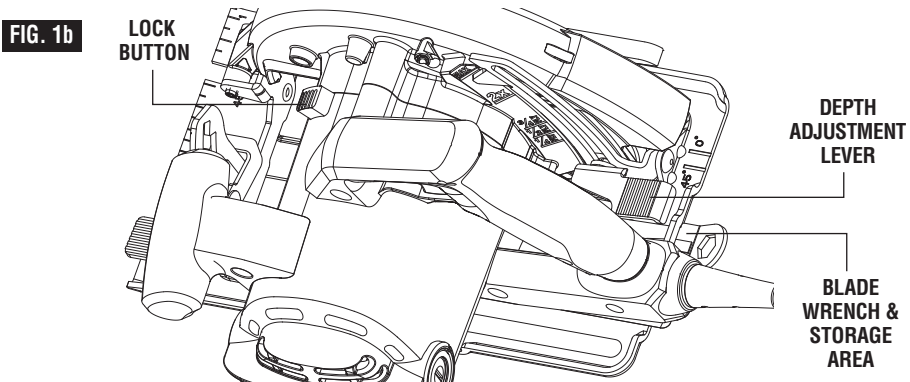
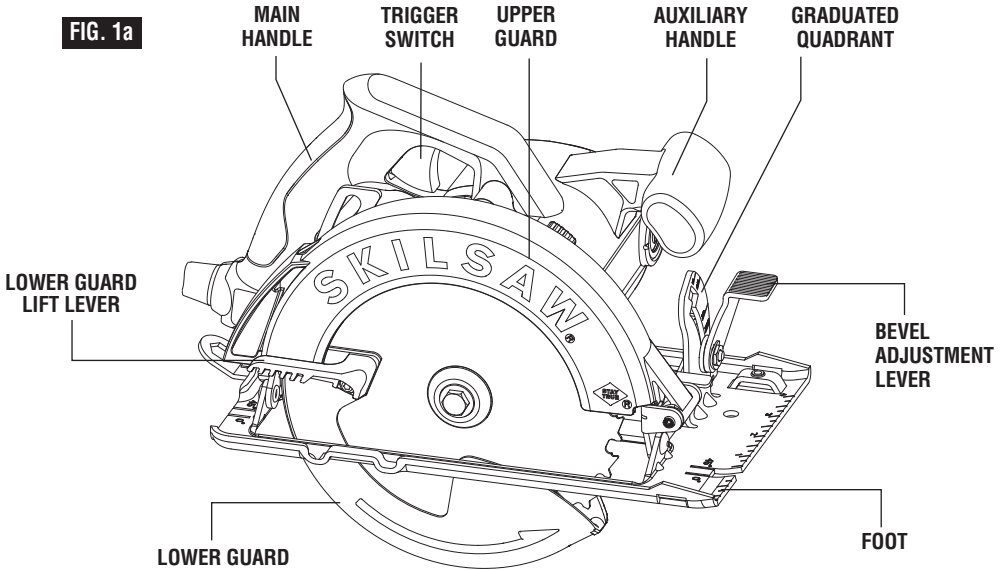
CAN/CSA Standard C22.2 No. 60745-1 and  
60745-2-5



## Functional Description and Specifications

**WARNING** Disconnect the plug from the power source before making any assembly, adjustments or changing accessories. Such preventive safety measures reduce the risk of starting the tool accidentally.

### Circular Saw



<b>Model number</b>	SPT67WE
<b>Maximum Capacities</b>	
Blade	7-1/4"
Blade arbor hole	5/8" Round
Depth of cut at 90°	2-7/16" (62.0mm)
Depth of cut at 45° Bevel	1-7/8" (47.6mm)
Depth of cut at 51° Bevel	1-11/16" (42.9mm)
<b>NOTE:</b> For tool specifications refer to the nameplate on your tool.	



## Assembly

### ATTACHING THE BLADE

**⚠ WARNING** Disconnect the plug from the power source before making any assembly, adjustments or changing accessories. Such preventive safety measures reduce the risk of starting the tool accidentally.

**⚠ WARNING** Use only 7-1/4" blade rated 5300/min (RPM) or greater. Using blade not designed for the saw may result in serious personal injury and property damage.

1. Press the lock button and turn wrench until lock button engages. Saw shaft is now locked. Continue to depress button, turn wrench counter-clockwise and remove BLADE STUD and OUTER WASHER (Fig. 2).
2. Make sure the saw teeth and arrow on the blade point in the same direction as the arrow on the lower guard.
3. Retract the lower guard all the way up into the upper guard. While retracting the lower guard, check operation and condition of the LOWER GUARD SPRING.
4. Slide blade through slot in the foot and mount it

against the INNER WASHER on the shaft. Be sure the large diameter of the INNER and OUTER washers lay flush against the blade.

5. Reinstall OUTER WASHER. First tighten BLADE STUD finger tight, then TIGHTEN BLADE STUD 1/8 TURN (45°) WITH THE WRENCH PROVIDED.

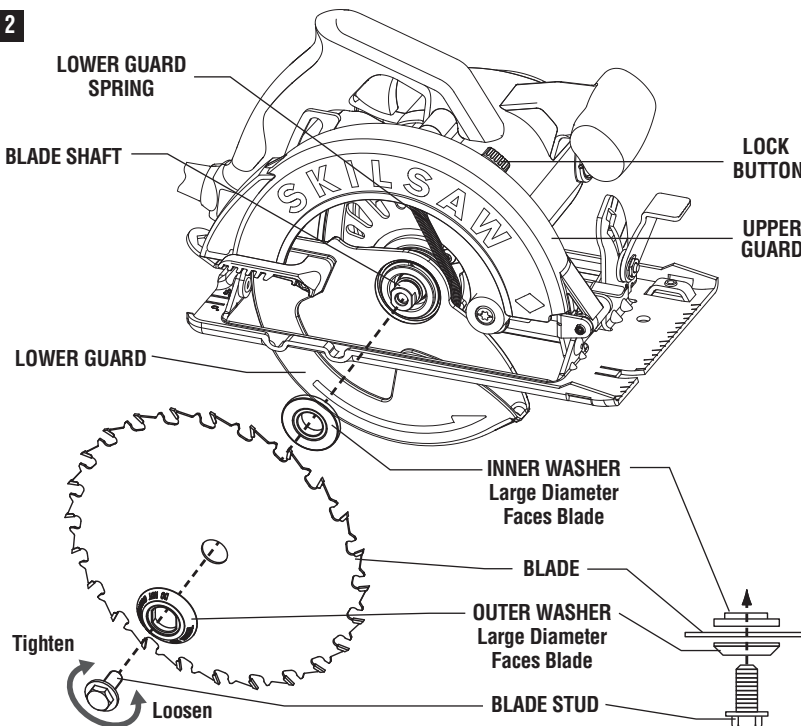
Do not use wrenches with longer handles, since it may lead to over tightening of the blade stud.

### VARI-TORQUE CLUTCH

This clutching action is provided by the friction of the OUTER WASHER against the BLADE and permits the blade shaft to turn when the blade encounters excessive resistance. When the BLADE STUD is properly tightened (as described in No. 5 of Attaching The Blade), the blade will slip when it encounters excessive resistance, thus reducing saw's tendency to KICKBACK.

One setting may not be sufficient for cutting all materials. If excessive blade slippage occurs, tighten the blade stud a fraction of a turn more (less than 1/8 turn). OVERTIGHTENING THE BLADE STUD NULLIFIES THE EFFECTIVENESS OF THE CLUTCH.

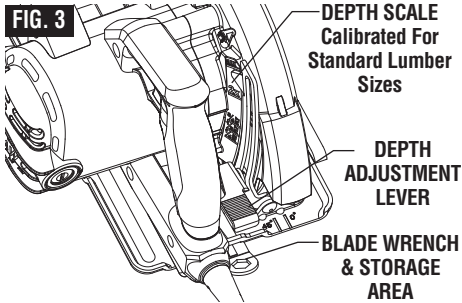
FIG. 2



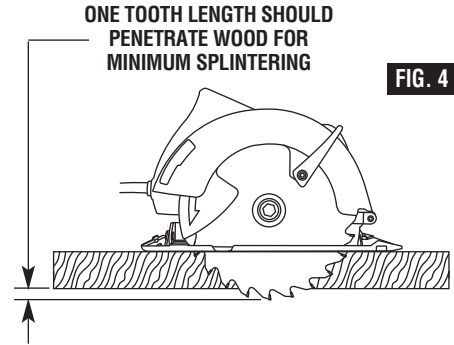
## Operating Instructions

### DEPTH ADJUSTMENT

Disconnect plug from power source. Loosen the depth adjustment lever located between the guard and handle of saw. Hold the foot down with one hand and raise or lower saw by the handle. Tighten lever at the depth setting desired. Check desired depth (Fig. 3).

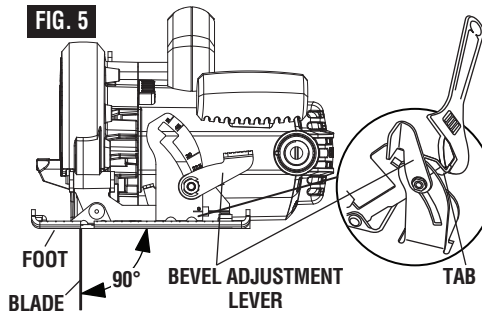


Not more than one tooth length of the blade should extend below the material to be cut, for minimum splintering (Fig. 4).



### 90° CUTTING ANGLE CHECK

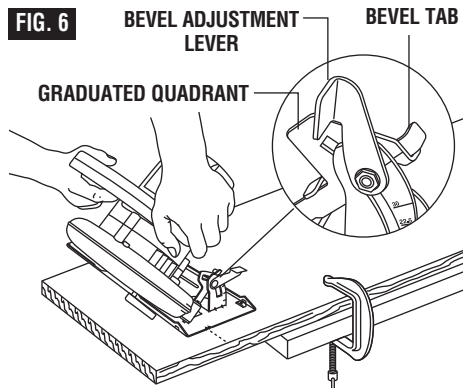
Disconnect plug from power source. Set foot to maximum depth of cut setting. Loosen bevel adjustment lever, set to 0° on quadrant, retighten lever and check for 90° angle between the blade and bottom plane of foot with a square (Fig. 5). If adjustment is necessary, tilt foot to 51°, tighten bevel adjustment lever and bend "TAB" with an adjustable wrench or pliers (Fig. 5).



### BEVEL ADJUSTMENT

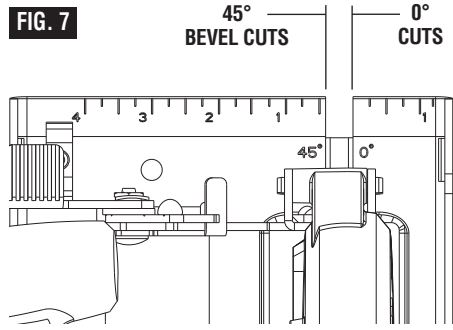
Disconnect plug from power source. The foot can be adjusted up to 45° by loosening the bevel adjustment lever at the front of the saw. Align to desired angle on the graduated quadrant. To adjust beyond 45°, pull bevel tab and lever out; continue bevel adjustment up to 51°. Then tighten bevel adjustment lever (Fig 6).

**⚠ WARNING** Because of the increased amount of blade engagement in the work and decreased stability of the foot, blade binding may occur. Keep the saw steady and the foot firmly on the workpiece.



### LINE GUIDE

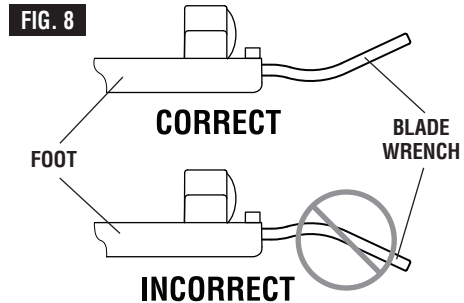
For a 0° cut, use right side of notch in the foot. For 45° bevel cuts, use the left side (Fig. 7). The cutting guide notch will give an approximate line of cut. Make sample cuts in scrap lumber to verify actual line of cut. This will be helpful because of the number of different blade types and thicknesses available. To ensure minimum splintering on the good side of the material to be cut, face the good side down.



### WRENCH STORAGE

Wrench storage is provided on the tool. Wrench is fully seated when second lock detent is engaged.

**CAUTION** Wrench needs to be inserted with the correct orientation (Fig. 8). Damage to work piece could occur if inserted incorrectly.



### SWITCH

**WARNING** When starting the tool, hold it with both hands.

The torque from the motor can cause the tool to twist.

To turn tool "ON", squeeze the trigger switch. To turn the tool "OFF", release the trigger switch, which is spring loaded and will return to the off position automatically.

Your saw should be running at full speed BEFORE starting the cut, and turned off only AFTER completing the cut. To increase switch life, do not turn switch on and off while cutting.

### GENERAL CUTS

Always hold the saw handle with one hand and the auxiliary handle or housing with the other.

**WARNING** Always be sure either hand does not interfere with the free movement of the lower guard.

Maintain a firm grip and operate the switch with a decisive action. Never force the saw. Use light and continuous pressure.

**WARNING** After completing a cut and the trigger has been

released, be aware of the necessary time it takes for the blade to come to a complete stop during coast down. Do not allow the saw to brush against your leg or side, since the lower guard is retractable, it could catch on your clothing and expose the blade. Be aware of the necessary blade exposures that exist in both the upper and lower guard areas.

When cutting is interrupted, to resume cutting: squeeze the trigger and allow the blade to reach full speed, re-enter the cut slowly and resume cutting.

When cutting across the grain, the fibers of the wood have a tendency to tear and lift. Advancing the saw slowly minimizes this effect. For a finished cut, a cross cut blade or miter blade is recommended.

### CUTTING MASONRY/METAL

This tool is not designed for use with metal or masonry cut-off wheels.

**WARNING** Do not use abrasive wheels with circular saws. Abrasive dust may cause lower guard to not operate properly.

### PLUNGE CUTS

Disconnect the plug from the power source before making adjustments. Set depth adjustment according to material to be cut. Reconnect the plug to power source.

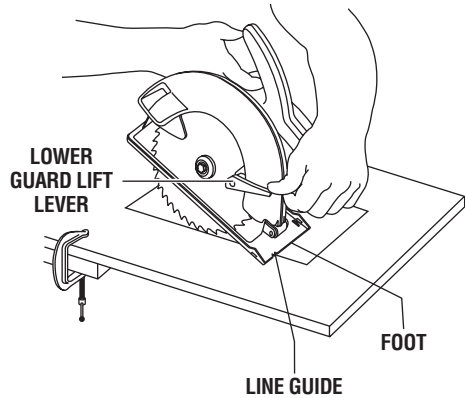
Hold the main handle of the saw with one hand, tilt saw forward and rest front of the foot plate on material to be cut. Line up the cutting guide notch with the line you've drawn. Raise the lower guard using lower guard lift lever and hold the front of the foot plate with the other hand. (Fig. 9).

Position the saw with the blade just clearing the material to be cut. Start the motor and once fully up to speed, gradually lower the back end of saw using the front end of the foot as the hinge point.

**⚠ WARNING** Once the foot plate rests flat on the surface being cut, release the lower guard and move the hand holding the front of the foot plate to hold the auxiliary handle. Proceed cutting in forward direction to end of cut.

**⚠ WARNING** Allow blade to come to a complete stop before lifting the saw from cut. Also, never pull the saw

**FIG. 9**



backward since blade will climb out of the material and KICKBACK will occur. Turn saw around and finish the cut in the normal manner, sawing forward. If corners of your plunge cut are not completely cut through, use a jigsaw or hand saw to finish the corners.

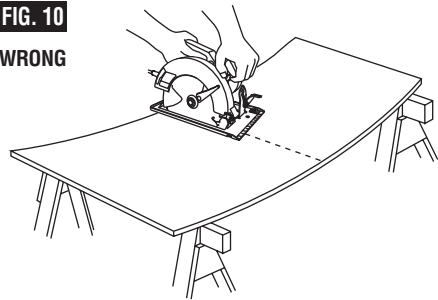
### CUTTING LARGE SHEETS

Large sheets and long boards sag or bend, depending on support. If you attempt to cut without leveling and properly supporting the piece, the blade will tend to bind, causing KICKBACK and extra load on the motor (Fig. 10).

Support the panel or board close to the cut, as shown in (Fig. 11). Be sure to set the depth of the cut so that you cut through the sheet or board only and not the table or work bench. The two-by-fours used to raise and support the work should be positioned so that the broadest sides support the work and rest on the table or bench. Do not support the work with the narrow sides as this is an unsteady arrangement. If the sheet or board to be cut is too large for a table or work bench, use the supporting two-by-fours on the floor and secure.

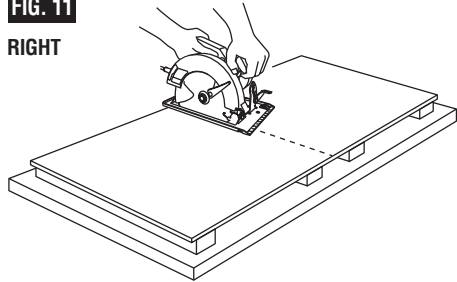
**FIG. 10**

**WRONG**



**FIG. 11**

**RIGHT**



### RIP CUTS

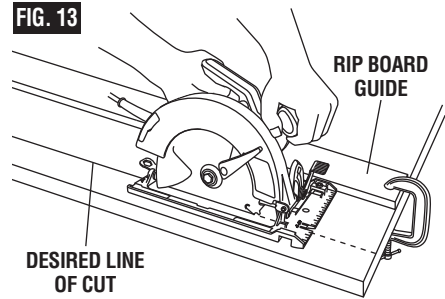
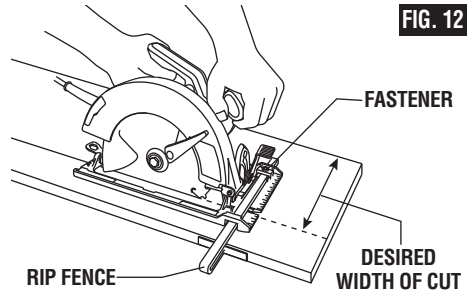
The combination blade provided with your saw is for both cross cuts and rip cuts. Ripping is cutting lengthwise with the grain of the wood. Rip cuts are easy to do with a rip fence (Fig. 12). Rip Fence is available as an accessory (not included). To attach fence, insert fence through slots in foot to desired width as shown and secure with the fastener (not included).

**WARNING** Ensure rip fence does not interfere with the free movement of the lower guard and saw blade. Rip fence contacting lower guard or blade can cause property damage and serious personal injury.

### RIP BOARD GUIDE

When rip cutting large sheets, the rip fence may not allow the desired width of cut. Clamp or nail a straight piece of 1" (25 mm) lumber to the sheet as a guide (Fig. 13). Use the right side of the foot against the board guide.

**WARNING** Ensure the clamps do not interfere with the free movement of the saw.



## Maintenance

### Service

**WARNING** Preventive maintenance performed by unauthorized person nel may result in misplacing of internal wires and components which could cause serious hazard. We recommend that all tool service be performed by a Skil Factory Service Center or Authorized Skil Service Station.

### TOOL LUBRICATION

Your Skil tool has been properly lubricated and is ready to use. It is recommended that tools with gears be regreased with a special gear lubricant at every brush change.

### CARBON BRUSHES

The brushes and commutator in your tool have been engineered for many hours of dependable service. To maintain peak efficiency of the motor, we recommend every two to six months the brushes be examined. Only genuine Skil replacement brushes specially designed for your tool should be used.

### BEARINGS

Bearings which become noisy (due to heavy load or very abrasive material cutting) should be replaced at once to avoid overheating or motor failure.

### Cleaning

**WARNING** To avoid accidents always disconnect the tool from

the power supply before cleaning or performing any maintenance. The tool may be cleaned most effectively with compressed dry air. **Always wear safety goggles when cleaning tools with compressed air.**

Ventilation openings and switch levers must be kept clean and free of foreign matter. Do not attempt to clean by inserting pointed objects through openings.

**CAUTION** Certain cleaning agents and solvents damage plastic parts. Some of these are: gasoline, carbon tetrachloride, chlorinated cleaning solvents, ammonia and household detergents that contain ammonia.

### CARE OF BLADES

Blades become dull even from cutting regular lumber. If you find yourself forcing the saw forward to cut instead of just guiding it through the cut, chances are the blade is dull or coated with wood pitch.

When cleaning gum and wood pitch from blade, unplug the saw and remove the blade. Remember, blades are designed to cut, so handle carefully. Wipe the blade with kerosene or similar solvent to remove the gum and pitch. Unless you are experienced in sharpening blades, we recommend you do not try.

## Extension Cords

**WARNING** If an extension cord is necessary, a cord with adequate size conductors that is capable of carrying the current necessary for your tool must be used. This will prevent excessive voltage drop, loss of power or overheating. Grounded tools must use 3-wire extension cords that have 3-prong plugs and receptacles.

**NOTE:** The smaller the gauge number, the heavier the cord.

RECOMMENDED SIZES OF EXTENSION CORDS  
120 VOLT ALTERNATING CURRENT TOOLS

Tool's Ampere Rating	Cord Size in A.W.G.				Wire Sizes in mm <sup>2</sup>			
	Cord Length in Feet				Cord Length in Meters			
	25	50	100	150	15	30	60	120
3-6	18	16	16	14	0.75	0.75	1.5	2.5
6-8	18	16	14	12	0.75	1.0	2.5	4.0
8-10	18	16	14	12	0.75	1.0	2.5	4.0
10-12	16	16	14	12	1.0	2.5	4.0	-
12-16	14	12	-	-	-	-	-	-

## Accessories

**WARNING** The use of any other accessories not specified in this manual may create a hazard.

\* Blade (P/N 1600A004SC)

(\* = standard equipment)

\* Wrench (P/N 1619X03633)

(\*\* = optional accessories)

\*\* Rip Fence (P/N 2610914629)

## Trouble Shooting



### WARNING

Read instruction manual first! Remove plug from the power source before making adjustments or assembling the blade.

- PROBLEM**     **TROUBLE: SAW WILL NOT START**
1. Power cord is not plugged in.
  2. Power source fuse or circuit breaker tripped.
  3. Cord damaged.
  4. Burned out switch.
  5. Trigger does not turn tool on.
- REMEDY**
1. Plug saw in.
  2. Replace fuse or reset tripped circuit breaker.
  3. Inspect cord for damage. If damaged, have cord replaced by an Authorized Skil Service Center or Service Station.
  4. Have switch replaced by an Authorized Skil Service Center or Service Station.
  5. Have switch replaced by an Authorized Skil Service Center or Service Station.
- PROBLEM**     **TROUBLE: BLADE DOES NOT COME UP TO SPEED**
1. Extension cord too light or too long.
  2. Low house voltage.
- REMEDY**
1. Replace with adequate cord.
  2. Contact your electric company.
- PROBLEM**     **TROUBLE: EXCESSIVE VIBRATION**
1. Blade out of balance.
  2. Workpiece not clamped or supported properly.
- REMEDY**
1. Discard Blade and use different blade.
  2. Clamp or support workpiece as shown on pages 10 and 12.
- PROBLEM**     **TROUBLE: CANNOT MAKE SQUARE CUT WHEN CROSSCUTTING**
1. Foot not adjusted properly.
- REMEDY**
1. See "Operating Instructions" section, "Bevel Adjustment" (page 10), "Line Guide" (page 11, "Cutting Large Sheets (page 13) and "Rip Cuts" (page 13).
- PROBLEM**     **TROUBLE: CUT BINDS, BURNS, STALLS MOTOR WHEN RIPPING**
1. Dull blade with improper tooth set.
  2. Warped board.
  3. Blade binds.
  4. Improper workpiece support.
- REMEDY**
1. Discard blade and use a different blade.
  2. Make sure concave or hollow side is facing "DOWN" feed slowly, see (page 12).
  3. Assemble blade and tighten Vari-Torque clutch per "Assembly Instructions", see (page 9)
  4. Clamp or support workpiece as shown on pages 10 and 12.
- PROBLEM**     **TROUBLE: BLADE SLIPPING**
1. Tool does not cut workpiece.
- REMEDY**
1. Assemble blade and tighten Vari-Torque clutch per "Assembly Instructions", see (page 9)



## Avertissements généraux concernant la sécurité des outils électroportatifs



### AVERTISSEMENT

Veillez lire tous les avertissements et toutes les consignes de sécurité. Si l'on n'observe pas ces avertissements et ces consignes de sécurité, il existe un risque de choc électrique, d'incendie et/ou de blessures corporelles graves.

### CONSERVEZ TOUS LES AVERTISSEMENTS ET TOUTES LES CONSIGNES DE SÉCURITÉ POUR RÉFÉRENCE FUTURE.

Dans les avertissements, le terme « outil électroportatif » se rapporte à votre outil branché sur le secteur (avec fil) ou à votre outil alimenté par piles (sans fil).

#### Sécurité du lieu de travail

**Maintenez le lieu de travail propre et bien éclairé.** Les risques d'accident sont plus élevés quand on travaille dans un endroit encombré ou sombre.

**N'utilisez pas d'outils électroportatifs dans des atmosphères explosives, comme par exemple en présence de gaz, de poussières ou de liquides inflammables.** Les outils électroportatifs produisent des étincelles qui risquent d'enflammer les poussières ou les vapeurs.

**Éloignez les enfants et les visiteurs quand vous vous servez d'un outil électroportatif.** Vous risquez une perte de contrôle si on vous distrait.

#### Sécurité électrique

**Les fiches des outils électroportatifs doivent correspondre à la prise. Il ne faut absolument jamais modifier la fiche. N'utilisez pas d'adaptateur de prise avec des outils électroportatifs munis d'une fiche de terre.** Le risque de choc électrique est moindre si on utilise une fiche non modifiée sur une prise qui lui correspond.

**Évitez tout contact du corps avec des surfaces reliées à la terre tels que tuyaux, radiateurs, gazinières ou réfrigérateurs.** Le risque de choc électrique augmente si votre corps est relié à la terre.

**N'exposez pas les outils électroportatifs à la pluie ou à l'humidité.** Si de l'eau pénètre dans un outil électroportatif, le risque de choc électrique augmente.

**Ne maltraitez pas le cordon. Ne vous en servez jamais pour transporter l'outil électroportatif, pour le tirer ou pour le débrancher. Éloignez le cordon de la chaleur, des huiles, des arêtes coupantes ou des pièces mobiles.** Les cordons abîmés ou emmêlés augmentent les risques de choc électrique.

**Si vous utilisez un outil électroportatif à l'extérieur, employez une rallonge conçue pour l'extérieur.** Ces rallonges sont faites pour l'extérieur et réduisent le risque de choc électrique.

**S'il est absolument nécessaire d'utiliser l'outil électroportatif dans un endroit humide, utilisez une alimentation protégée par un disjoncteur de fuite de terre (GFCI).** L'utilisation d'un disjoncteur GFCI réduit les risques de choc électrique.

#### Sécurité personnelle

**Restez concentré, faites attention à ce que vous faites, et servez-vous de votre bon sens lorsque vous utilisez un outil électroportatif. N'employez pas d'outils électroportatifs quand vous êtes fatigué ou sous l'emprise de drogues, d'alcool ou de médicaments.** Quand on utilise des outils électroportatifs, il suffit d'un moment d'inattention pour causer des blessures corporelles graves.

**Utilisez des équipements de sécurité personnelle. Portez toujours une protection oculaire.** Le port d'équipements de sécurité tels que des masques antipoussières, des chaussures de sécurité antidérapantes, des casques de chantier et des protecteurs d'oreilles dans des conditions appropriées réduira le risque de blessure corporelle.

**Évitez les démarrages intempestifs. Assurez-vous que l'interrupteur est dans la position arrêt (Off) avant de brancher l'outil dans une prise de courant et/ou un bloc-piles, de le ramasser ou de le transporter.** Le transport d'un outil électroportatif avec le doigt sur la gâchette ou le branchement de cet outil quand l'interrupteur est en position de marche (ON) est une invite aux accidents.

**Enlevez toutes les clés de réglage avant de mettre l'outil électroportatif en marche.** Si on laisse une clé sur une pièce tournante de l'outil électroportatif, il y a risque de blessure corporelle.

**Ne vous penchez pas. Conservez toujours une bonne assise et un bon équilibre.** Ceci vous permettra de mieux maîtriser l'outil électroportatif dans des situations inattendues.

**Habillez-vous de manière appropriée. Ne portez pas de vêtements amples ou de bijoux. Attachez les cheveux longs. N'approchez pas les cheveux, les vêtements ou les gants des pièces en mouvement.** Les vêtements amples, les bijoux ou les cheveux longs risquent d'être happés par les pièces en mouvement.

**Si l'outil est muni de dispositifs permettant le raccordement d'un système d'aspiration et de collecte des poussières, assurez-vous que ces dispositifs sont raccordés et utilisés correctement.** L'utilisation d'un dépoussiéreur peut réduire les dangers associés à l'accumulation de poussière.

## Utilisation et entretien des outils électroportatifs

**Ne forcez pas sur l'outil électroportatif. Utilisez l'outil électroportatif qui convient à la tâche à effectuer.** L'outil qui convient à la tâche fait un meilleur travail et est plus sûr à la vitesse pour lequel il a été conçu.

**Ne vous servez pas de l'outil électroportatif si son interrupteur ne parvient pas à le mettre en marche ou à l'arrêter.** Tout outil électroportatif qui ne peut pas être commandé par son interrupteur est dangereux et doit être réparé.

**Débranchez la fiche de la prise ou enlevez le bloc-pile de l'outil électroportatif avant tout réglage, changement d'accessoires ou avant de ranger l'outil électroportatif.** De telles mesures de sécurité préventive réduisent le risque de démarrage intempestif de l'outil électroportatif.

**Rangez les outils électroportatifs dont vous ne vous servez pas hors de portée des enfants et ne permettez pas à des personnes qui ne connaissent pas l'outil électroportatif ou qui ignorent ces consignes de s'en servir.** Les outils électroportatifs sont dangereux dans les mains d'utilisateurs inexpérimentés.

**Entretenez les outils électroportatifs. Vérifiez que les pièces mobiles sont alignées correctement et ne coincent pas. Vérifiez qu'il n'y a pas de pièces cassées ou d'autre circonstance qui risquent d'affecter le fonctionnement de l'outil électroportatif. Si l'outil est abîmé, faites-le réparer avant de l'utiliser.** De nombreux accidents sont causés par des outils électroportatifs mal entretenus.

**Maintenez les outils coupants affûtés et propres.** Les outils coupants entretenus correctement et dotés de bords tranchants affûtés sont moins susceptibles de coincer et sont plus faciles à maîtriser.

**Utilisez l'outil électroportatif, les accessoires et les embouts d'outil, etc. conformément à ces instructions, en tenant compte des conditions de travail et des travaux à réaliser.** L'emploi d'outils électroportatifs pour des tâches différentes de celles pour lesquelles ils ont été prévus peut résulter en une situation dangereuse.

### Entretien

**Faites réparer votre outil électroportatif par un agent de service qualifié n'utilisant que des pièces de rechange identiques.** Ceci assure que la sécurité de l'outil électroportatif est préservée.

## Consignes de sécurité pour scies circulaires

**AVERTISSEMENT** Veuillez lire tous les avertissements et toutes les consignes de sécurité.

### Procédures de coupe

**DANGER** Tenez les mains à l'écart de l'aire de coupe et de la lame. Gardez votre deuxième main sur la poignée auxiliaire ou le carter du moteur. Quand les mains tiennent la scie, elles ne peuvent pas être coupées par la lame.

**N'introduisez pas la main sous la pièce à travailler.** Le garde ne peut pas vous protéger de la lame sous la pièce à travailler.

**Ajustez la profondeur de coupe en fonction de l'épaisseur de la pièce à travailler.** Il doit seulement être possible de voir moins d'une dent complète des dents de la lame au-dessous de la pièce à travailler.

**Ne tenez jamais la pièce à couper dans vos mains ou sur vos jambes. Fixez la pièce à travailler sur une plateforme stable.** Il importe de supporter l'ouvrage adéquatement afin de minimiser l'exposition corporelle, le grippage de lame ou la perte de contrôle.

**Tenez l'outil électroportatif par les surfaces isolées de préhension quand vous effectuez une opération au cours de laquelle l'outil de coupe peut venir en contact avec des fils dissimulés ou son propre cordon.** Le contact avec un fil sous tension rendra également les parties métalliques exposées de l'outil sous tension et de causer un choc électrique à l'opérateur.

**En refendant, utilisez toujours un guide de refente ou une règle.** Ceci améliore l'exactitude de la coupe et réduit les possibilités de grippage de la lame.

**Utilisez toujours des lames avec trous d'arbre de la dimension et de la forme appropriées (en diamant par rapport à rondes).** Les lames qui ne se marient pas avec le système de montage de la scie ne tourneront pas rond. Il en résultera une perte de contrôle.

**N'utilisez jamais des rondelles ou boulon de lame abîmés ou incorrects.** Les rondelles et le boulon de lame ont été conçus spécialement pour votre scie, pour une performance optimale et pour un fonctionnement des plus sûrs.

**Inspectez la condition et la qualité du bois et si vous trouvez des clous, retirez-les avant de couper.** Le bois mouillé, le bois vert ou le bois traité par pression nécessitent une attention spéciale durant la coupe pour prévenir le rebond.

**Tenez la scie fermement pour prévenir une perte de contrôle.** Les figures de ce manuel illustrent le support manuel typique de la scie.

**Suivant l'usage, l'interrupteur peut ne pas durer aussi longtemps que la scie. Si l'interrupteur fait défaut en position d'arrêt, la scie peut ne pas se mettre en marche. S'il devient défectueux pendant que la scie est en marche, la scie peut ne pas s'arrêter.** Dans l'un

ou l'autre cas, débranchez la scie immédiatement et ne l'utilisez pas avant qu'elle ne soit réparée.

**Cette scie circulaire ne doit pas être montée sur une table et convertie en scie de table.** Les scies circulaires ne sont pas conçues ni destinées à être utilisées comme scies de table.

### Causes des rebonds et avertissements associés

Le rebond est une réaction soudaine à une lame de scie pincée, grippée ou mal alignée, amenant ainsi la scie non contrôlée à lever et ressortir de l'ouvrage en direction de l'opérateur.

Lorsque la lame est pincée ou grippée fermement par le trait de scie qui se referme, la lame bloque et la réaction du moteur ramène rapidement l'outil en direction de l'opérateur.

Si la lame devient tordue ou mal alignée dans la coupe, les dents du bord arrière de la lame peuvent s'enfoncer dans la surface supérieure du bois, amenant ainsi la lame à sortir du trait de scie et à revenir vers l'opérateur.

Le rebond est le résultat d'une utilisation erronée de l'outil et/ou de méthodes ou de conditions de fonctionnement incorrectes, et on peut l'éviter en prenant les précautions appropriées, comme indiqué ci-après :

**Maintenez une prise ferme avec les deux mains sur la scie et positionnez vos bras de manière à résister aux forces de rebond. Positionnez votre corps d'un côté ou de l'autre de la lame, mais pas dans la trajectoire de la lame.** Le rebond peut faire que la lame saute en arrière, mais l'opérateur peut contrôler les forces de rebond en prenant les précautions appropriées.

**Lorsque la lame grippe ou lorsqu'une coupe est interrompue pour quelque motif que ce soit, relâchez la gâchette et tenez la scie sans bouger dans l'ouvrage jusqu'à ce que la lame s'arrête complètement. Ne tentez jamais de retirer la scie de l'ouvrage ou de tirer la scie vers l'arrière pendant que la lame est en mouvement, ce qui pourrait provoquer un rebond.** Recherchez la cause du grippage de lame et prenez les mesures nécessaires pour le corriger.

**Lorsque vous remettez une scie en marche dans un ouvrage, centrez la lame de scie dans le trait de scie et assurez-vous que les dents de scie ne sont pas engagées dans l'ouvrage.** Si la lame de scie grippe, elle peut remonter ou rebond depuis l'ouvrage lorsque la scie est remise en marche.

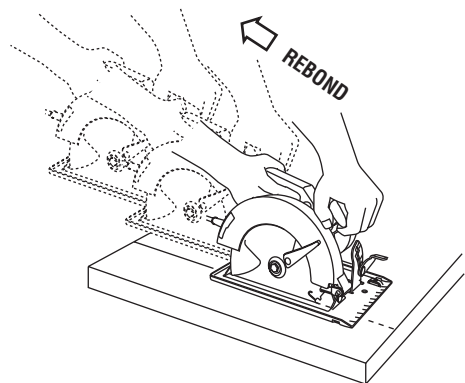
**Supportez les gros panneaux pour minimiser le risque de pincement de lame et de rebond.** Les gros panneaux ont tendance à s'affaisser sous leur propre poids. Des supports doivent être placés sous le panneau des deux côtés, près de la ligne de coupe et près du bord du panneau.

**N'utilisez pas une lame émoussée ou abîmée.** Les lames non affûtées ou réglées de façon inappropriée produisent un trait de scie étroit, ce qui cause une friction excessive, un grippage de lame et un rebond.

**Les leviers de blocage de réglage de biseau et de profondeur de lame doivent être serrés et fermes avant de pratiquer la coupe.** Un déplacement du réglage de lame durant la coupe peut causer un grippage et un rebond.

**Redoubler de prudence en pratiquant une opérations de sciage dans des murs existants ou autres parties aveugles.** La lame faisant saillie peut couper des objets qui peuvent causer un rebond.

**Les rondelles de lame et le boulon sur votre scie ont été conçus de manière à travailler comme un embrayage pour réduire l'intensité des rebonds. Comprenez le fonctionnement et les réglages de l'EMBRAYAGE À COUPLE VARIABLE.** Le réglage approprié de l'embrayage, combiné au maniement ferme de la scie, vous permettra de contrôler le rebond.



**Ne placez jamais votre main derrière la lame de la scie.** Le rebond pourrait faire sauter la scie vers l'arrière par-dessus votre main.

**N'utilisez pas la scie avec un réglage excessif de profondeur de coupe.** Une exposition excessive de la lame accroît la possibilité de torsion de la lame dans le trait de scie. Elle accroît également la surface de lame pouvant être pincée, ce qui entraînerait un rebond.

### Fonction du garde inférieur

**Vérifiez le garde inférieur pour vous assurer qu'il ferme adéquatement avant chaque usage. N'utilisez pas la scie si le garde inférieur ne bouge pas librement et ne ferme pas instantanément. Ne pincez ou ne fixez jamais le garde inférieur en position ouverte.** Si la scie tombe par mégarde, le garde inférieur peut être plié. Levez le garde inférieur uniquement à l'aide de la levier de levage du garde inférieur, et assurez-vous qu'il bouge librement et ne vient pas en contact avec la lame ou aucune autre pièce, sous tous les angles et profondeurs de coupe.

**Vérifiez le fonctionnement du ressort du rappel du garde inférieur. Si le garde et le ressort ne fonctionnent pas adéquatement, ils doivent être réparés avant usage.** Le garde inférieur peut fonctionner paresseusement en raison de pièces abîmées, de dépôts gommeux ou d'une accumulation de débris.

**Le garde inférieur doit être rétracté manuellement uniquement pour des coupes spéciales telles que les « coupes en guichet » et les « coupes combinées ».** Levez le garde inférieur à l'aide du levier de levage du garde inférieur. Le garde inférieur doit être relâché dès que la lame pénètre dans l'ouvrage. Pour toutes les autres opérations de sciage, le garde inférieur doit fonctionner automatiquement.

**Assurez-vous toujours que le garde inférieur couvre la lame avant de déposer la scie sur l'établi ou le**

**plancher.** Une lame non protégée, qui continue à marcher par inertie, fera reculer la scie, coupant ainsi tout ce qui est sur son chemin. Sachez le temps qu'il faut pour que la lame s'arrête après relâchement de l'interrupteur.

**Ne faites pas fonctionner l'outil quand vous le portez sur votre hanche. Le garde inférieur peut s'ouvrir au contact avec vos vêtements.** Un contact accidentel avec la lame de scie en rotation pourrait provoquer des blessures graves.

**À intervalles périodiques, déposez la lame, nettoyez les gardes supérieur et inférieur et la région du moyeu à l'aide de kérosène et essuyez pour sécher, ou nettoyez en soufflant de l'air comprimé.** Une maintenance préventive et une utilisation correcte du garde réduiront la probabilité d'un accident.

## Avertissements supplémentaires concernant la sécurité

L'emploi d'un GFCI et de dispositifs de protection personnelle tels que gants et chaussures d'électricien en caoutchouc améliorent votre sécurité personnelle.

**N'utilisez pas un outil conçu uniquement pour le C.A. sur une alimentation en C.C.** Même si l'outil semble fonctionner, les composants électriques d'un outil prévu pour le C.A. tomberont probablement en panne et risquent de créer un danger pour l'utilisateur.

**Maintenez les poignées sèches et exemptes d'huile et de graisse.** On ne peut pas maîtriser un outil électroportatif en toute sécurité quand on a les mains glissantes.

**Utilisez des brides ou d'autres moyens pratiques de brider ou de supporter la pièce sur une plate-forme stable.** Tenir la pièce à la main ou contre le corps est instable et risque de résulter en une perte de contrôle.

**Créez un agenda d'entretien périodique pour votre outil. Quand vous nettoyez un outil, faites attention de n'en démonter aucune pièce car il est toujours possible de mal remonter ou de pincer les fils internes ou de remonter incorrectement les ressorts de rappel des capots de protection.** Certains agents de nettoyage tels que l'essence, le tétrachlorure de carbone, l'ammoniaque, etc. risquent d'abîmer les plastiques.

Risque de blessure pour l'utilisateur. Le cordon d'alimentation électrique ne doit être réparé que par un Centre de service usine de Skil ou par une Station service agréée de Skil.










**⚠ AVERTISSEMENT** Les travaux à la machine tel que ponçage, sciage, meulage, perçage et autres travaux du bâtiment peuvent créer des poussières contenant des produits chimiques qui sont des causes reconnues de cancer, de malformation congénitale ou d'autres problèmes reproductifs. Ces produits chimiques sont, par exemple :

- Le plomb provenant des peintures à base de plomb,
- Les cristaux de silices provenant des briques et du ciment et d'autres produits de maçonnerie, et
- L'arsenic et le chrome provenant des bois traités chimiquement.

Le niveau de risque dû à cette exposition varie avec la fréquence de ces types de travaux. Pour réduire l'exposition à ces produits chimiques, il faut travailler dans un lieu bien ventilé et porter un équipement de sécurité approprié tel que certains masques à poussière conçus spécialement pour filtrer les particules microscopiques.

## Symboles

**IMPORTANT** : Certains des symboles suivants peuvent être utilisés sur votre outil. Veuillez les étudier et apprendre leur signification. Une interprétation appropriée de ces symboles vous permettra d'utiliser l'outil de façon plus efficace et plus sûre.

Symbole	Désignation / Explication
V	Volts (voltage)
A	Ampères (courant)
Hz	Hertz (fréquence, cycles par seconde)
W	Watt (puissance)
kg	Kilograms (poids)
min	Minutes (temps)
s	Seconds (temps)
	Diamètre (taille des mèches de perceuse, meules, etc.)
$n_0$	Vitesse à vide (vitesse de rotation, à vide)
n	Vitesse nominale (vitesse maximum pouvant être atteinte)
.../min	Tours ou mouvement alternatif par minute (tours, coups, vitesse en surface, orbites, etc., par minute)
0	Position d'arrêt (vitesse zéro, couple zéro ...)
1, 2, 3, ... I, II, III,	Réglages du sélecteur (Réglages de vitesse, de couple ou de position. Un nombre plus élevé signifie une vitesse plus grande)
	Sélecteur variable à l'infini avec arrêt (La vitesse augmente depuis le réglage 0)
	Flèche (action dans la direction de la flèche)
	Courant alternatif (type ou caractéristique du courant)
	Courant continu (type ou caractéristique du courant)
	Courant alternatif ou continu (type ou caractéristique du courant)
	Construction classe II (désigne des outils construits avec double isolation)
	Borne de terre (borne de mise à la terre)
	Symbole d'avertissement (Alerte l'utilisateur aux messages d'avertissement)

## Symboles (suite)

**IMPORTANT** : Certains des symboles suivants peuvent être utilisés sur votre outil. Veuillez les étudier et apprendre leur signification. Une interprétation appropriée de ces symboles vous permettra d'utiliser l'outil de façon plus efficace et plus sûre.

Symbole	Désignation / Explication
	Alerte l'utilisateur pour lire le mode d'emploi
	Alerte l'utilisateur pour porter des lunettes de sécurité
	Ce symbole signifie que cet outil est approuvé par Underwriters Laboratories.
	Ce symbole indique que ce composant est reconnu par Underwriters Laboratories.
	Ce symbole signifie que cet outil est approuvé par Underwriters Laboratories selon les normes des États-Unis et du Canada.
	Ce symbole signifie que cet outil est approuvé par l'Association canadienne de normalisation.
	Ce symbole signifie que cet outil est approuvé par l'Association canadienne de normalisation selon les normes des États-Unis et du Canada.
	Ce symbole signifie que cet outil est approuvé par Intertek Testing Services selon les normes des États-Unis et du Canada
	Ce symbole signifie que cet outil se conforme aux normes mexicaines NOM.

**Conforme à**

Norme UL N° 60745-1 et 60745-2-5

**Certifié conforme à**

Norme CAN/CSA C22.2 N° 60745-1 et  
60745-2-5

## Description fonctionnelle et spécifications



**AVERTISSEMENT** Débranchez la fiche de la prise de courant avant d'effectuer quelque assemblage ou réglage que ce soit ou de changer les accessoires. Ces mesures de sécurité préventive réduisent le risque d'une mise en marche accidentelle de l'outil.

### Scie circulaire

FIG. 1a

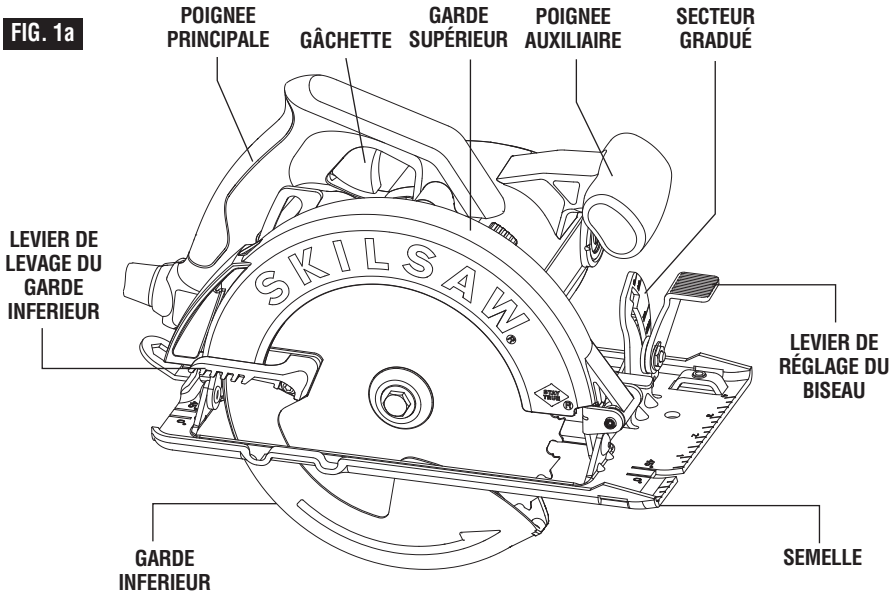
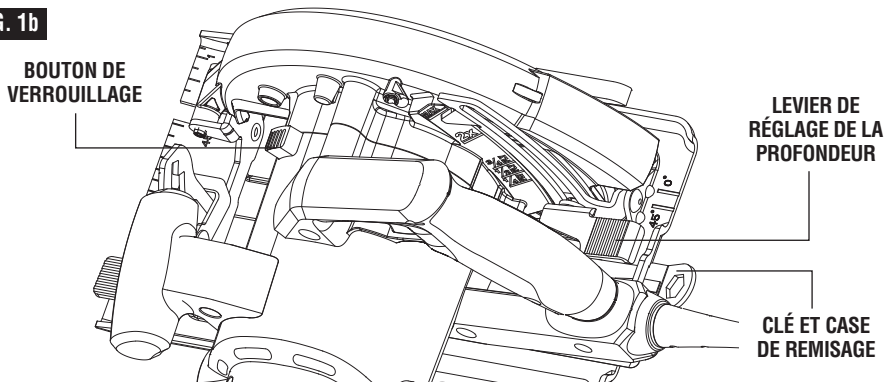


FIG. 1b



**Numéro de modèle**  
**Capacités maximales**

SPT67WE

Lame

184 mm

Moyeu de lame

rond 15,87 mm

Profondeur de coupe à 90°

2-7/16" (62,0mm)

Profondeur de coupe à un biseau à 45°

1-7/8" (47,6mm)

Profondeur de coupe à un biseau à 51°

1-11/16" (42,9mm)

**REMARQUE** : Pour spécifications de l'outil, reportez-vous à la plaque signalétique de votre outil.



## Assemblage

### MONTAGE DE LA LAME

**⚠ AVERTISSEMENT** Débranchez la fiche de la prise de courant avant d'effectuer quelque assemblage ou réglage que ce soit ou de changer les accessoires. Ces mesures de sécurité préventive réduisent le risque d'une mise en marche accidentelle de l'outil.

**⚠ AVERTISSEMENT** Utilisez seulement une lame de 7 1/4 po conçue pour tourner à une vitesse de 5 300/min (tr/min) ou plus. L'utilisation d'une lame non conçue pour cette scie pourrait causer de graves blessures et des dommages matériels.

1. Appuyez sur le bouton de verrouillage et tournez la clé jusqu'à enclenchement du dispositif de verrouillage, ce qui a pour effet d'immobiliser l'arbre de la scie. Tout en maintenant le bouton enfoncé, tournez la clé en sens contraire des aiguilles d'une montre et enlevez le GOUJON DE LA LAME et la RONDELLE EXTÉRIEURE (Fig. 2).

2. Assurez-vous que les dents de la scie et la flèche sur la lame sont dirigées dans le même sens que la flèche figurant sur le garde inférieur de la lame.

3. Faites remonter le garde inférieur de la lame en le laissant coulisser totalement à l'intérieur du capot. Profitez-en pour vérifier l'état et le fonctionnement du RESSORT DU GARDE INFÉRIEUR.

4. Glissez la lame dans la fente de la semelle et placez-la contre la RONDELLE INTÉRIEURE de l'arbre. Assurez-vous que le plus grand côté des rondelles INTÉRIEURE et EXTÉRIEURE appuie carrément sur la lame.

5. Reposez la RONDELLE EXTÉRIEURE. Vissez d'abord le GOUJON DE LA LAME à la main, puis SERREZ-LE DE 1/8 DE TOUR (45°) AU MOYEN DE LA CLÉ LIVRÉE AVEC LA SCIE.

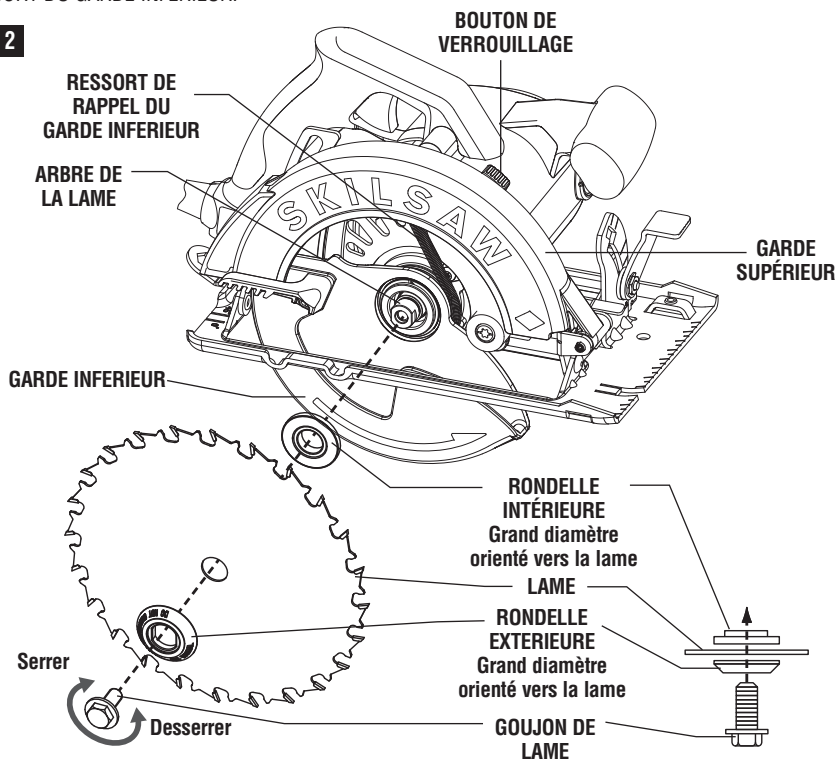
N'utilisez pas de clés plus longues car vous risqueriez de trop serrer le goujon.

### EMBRAYAGE « VARI-TORQUE »

L'embrayage est assuré par la friction de la RONDELLE EXTÉRIEURE sur la LAME et il permet à l'arbre de continuer à tourner si la lame éprouve une résistance excessive. Si le GOUJON DE LA LAME est correctement serré (tel qu'il est expliqué à l'étape 5 du chapitre intitulé Montage de la lame), la lame glissera sur son arbre quand elle éprouve une résistance excessive, ce qui réduit le risque de REBOND.

Il est possible qu'un seul et même réglage ne convienne pas à tous les matériaux. En cas de glissement exagéré de la lame, resserrez-en légèrement le goujon (moins de 1/8 de tour). LE SERRAGE EXCESSIF DU GOUJON DE LA LAME REND LE DISPOSITIF DE DÉBRAYAGE ABSOLUMENT INUTILE.

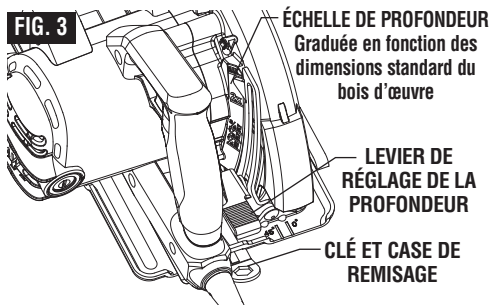
FIG. 2



## Consignes de fonctionnement

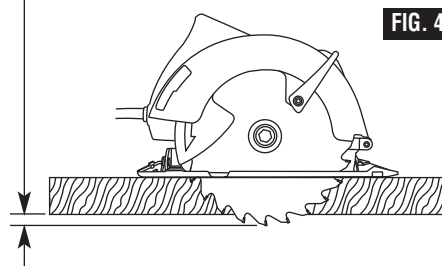
### REGLAGE DE LA PROFONDEUR DE COUPE

Débranchez la fiche de la prise de courant. Desserrez le levier de réglage de la profondeur qui se trouve entre le capot et la poignée de la scie. Maintenez la semelle en place d'une main et levez ou baissez la scie par la poignée de l'autre main. Serrez le levier à la profondeur de coupe désirée. Vérifiez si la profondeur est bien celle que vous désirez (Fig. 3).



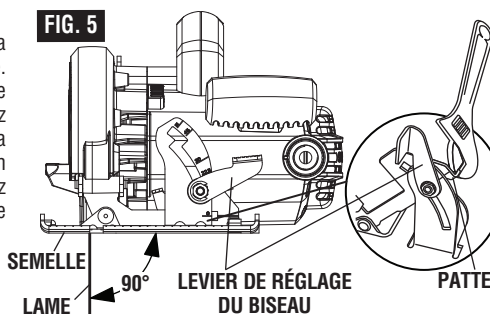
Pour réduire le risque d'écaillage des bords de la pièce à couper, la lame ne devrait pas dépasser de plus de la longueur d'une dent au dos de la pièce (Fig. 4).

**POUR ÉVITER L'ÉCAILLAGE DU BOIS, LA LAME NE DOIT PAS DÉPASSER DE PLUS DE LA LONGUEUR D'UNE DENT AU DOS DE LA PIÈVE**



### VERIFICATION DE L'ANGLE DE COUPE 90°

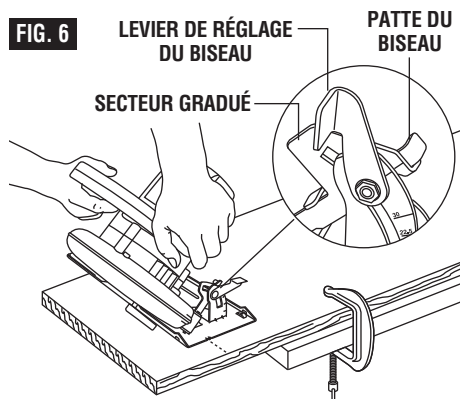
Débranchez la fiche de la prise de courant. Placez la semelle au réglage maximum de profondeur de coupe. Desserrez levier de réglage du biseau, réglez-le à 0° sur le secteur, resserrez levier, et, à l'aide d'une équerre, vérifiez si la lame forme exactement un angle de 90° avec la surface plane du dessous de la semelle (Fig. 5). Si un réglage s'avère nécessaire, inclinez la semelle à 45°, serrez levier de réglage du biseau, et pliez la « PATTE » à l'aide d'une clé réglable ou de pinces (Fig. 5).



### RÉGLAGE DU BISEAU

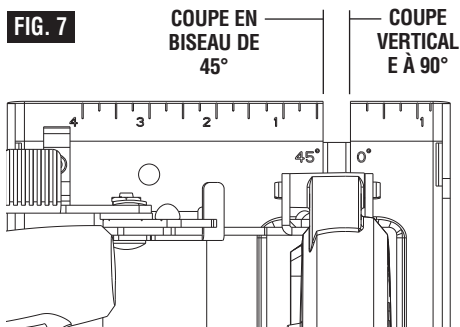
Débranchez la fiche de la prise de courant. La semelle peut être réglée jusqu'à 45° en desserrant levier de réglage du biseau à l'avant de la scie. Alignez à l'angle désiré sur le secteur gradué. Pour ajuster au-delà de 45°, tirez sur la patte et le levier de réglage du biseau ; continuez l'ajustement du biseau jusqu'à 51°. Puis serrez le levier de réglage du biseau (Fig. 6).

**▲ AVERTISSEMENT** En raison de l'engagement d'une plus grande surface de la lame dans la pièce et la stabilité réduite de la semelle, la lame risque de gripper. Tenez la scie solidement et gardez la semelle bien d'aplomb sur la pièce.



### GUIDE D'ALIGNEMENT

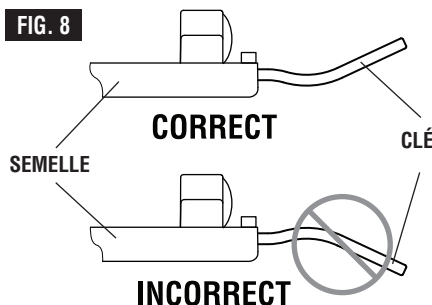
Dans le cas d'une coupe droite à 90°, guidez-vous sur le côté droit de l'encoche dans la semelle. Pour les coupes en biseau de 45°, guidez-vous plutôt sur le côté gauche (Fig. 7). L'encoche-guide vous procurera une ligne de coupe plus ou moins exacte. Faites une coupe d'essai dans une retaille pour en vérifier l'exactitude. Il est bon de prendre une telle mesure en raison du vaste assortiment de lames de toutes épaisseurs sur le marché. Pour éviter autant que possible d'abîmer le bon côté du matériau à couper, il est recommandé de tourner ce côté vers le bas.



### CLÉ ET CASE DE REMISAGE

Une zone de remisage est prévue sur l'outil (Fig. 1 A). La clé est dans la position correcte lorsque le deuxième cran de verrouillage est engagé.

**MISE EN GARDE** La clé doit être insérée avec l'orientation correcte (Fig. 8). Une insertion incorrecte de la clé pourrait endommager l'ouvrage.



### INTERRUPTEUR

**AVERTISSEMENT** À la mise en marche, tenez l'outil à deux mains. Le couple du moteur risque de le renverser.

Appuyez sur la gâchette pour mettre l'outil en marche ; relâchez-la pour l'arrêter. La gâchette retourne automatiquement à la position d'arrêt.

La scie devrait tourner à plein régime AVANT de commencer à scier et elle ne devrait être arrêtée qu'APRÈS avoir terminé la coupe. Pour prolonger la durée utile de l'interrupteur, évitez de mettre le moteur en marche et de l'arrêter en sciant.

### COUPES REGULIERES

Tenez toujours la poignée de la scie d'une main et la poignée auxiliaire ou le logement de l'autre main.

**AVERTISSEMENT** Assurez-vous que vos mains ne gênent pas le mouvement de la garde inférieure.

Serrez-la fermement et actionnez l'interrupteur énergiquement. Ne forcez jamais la scie outre mesure. Exercez une pression modérée et soutenue.

**AVERTISSEMENT** Après avoir terminé une coupe et relâché la gâchette, souvenez-vous que la lame ralentit et qu'il lui faut un certain temps pour s'arrêter complètement.

Évitez que la scie ne vienne frôler votre jambe ou votre côté car, étant donné qu'il est rétractible, le garde inférieur de la lame risquerait de s'agripper à vos vêtements et d'exposer la lame. Sachez qu'une partie de la lame est exposée en permanence à l'endroit où finissent le capot et le garde inférieur de la lame.

Pour recommencer à scier, suivant un arrêt, appuyez sur la gâchette et attendez que la lame ait atteint son régime maximal avant de rentrer lentement dans la pièce.

Lors de coupes en travers, les fibres du bois ont tendance à se déchiqueter et à se soulever. Vous pouvez minimiser le problème en avançant lentement la scie. Pour réaliser une coupe nette, il est recommandé d'utiliser une lame pour coupe en travers ou à onglets.

### SCIAGE DES MATÉRIEAUX DE MAÇONNERIE ET DES MÉTAUX

Cet outil n'est pas conçu pour être utilisé avec des meules de tronçonnage pour couper des métaux ou des matériaux de maçonnerie.

**AVERTISSEMENT** N'utilisez pas de meules abrasives avec des scies circulaires. La poussière produite par l'abrasion risquerait de causer une défaillance du dispositif de garde inférieur.

### COUPES EN PLONGÉE

Débranchez la fiche de la prise de courant avant de procéder à des réglages. Réglez la profondeur en fonction du matériau à couper. Rebranchez ensuite la fiche dans la prise de courant.

Tenez la poignée principale de la scie d'une main, inclinez la scie vers l'avant et faire reposer l'avant de la semelle sur le matériau à couper. Alignez l'encoche du guide de coupe sur le trait que vous avez dessiné. Élevez le garde inférieur en vous servant du levier de levage du garde inférieur, et tenez l'avant de la semelle de l'autre main (Fig. 9).

Positionnez la scie de façon que la lame dépasse à peine le bord du matériau à couper. Mettez le moteur en marche et, après qu'il aura atteint sa vitesse de fonctionnement normale, abaissez progressivement l'extrémité arrière de la scie en faisant pression sur l'extrémité avant de la semelle.

**AVERTISSEMENT** Une fois que la semelle reposera à plat sur la surface à couper, relâchez le garde inférieur et déplacez votre main qui tient l'extrémité avant de la semelle pour saisir la poignée auxiliaire. Puis coupez dans le sens approprié pour terminer la coupe.

**AVERTISSEMENT** Attendez l'arrêt complet de la lame avant de retirer la scie du trait que vous venez de tailler dans le matériau. De même, ne ramenez jamais la scie vers l'arrière, car la lame peut sortir du matériau risquant de provoquer un REBOND. Soulevez la scie et tournez-la en sens opposé pour achever normalement la coupe dans l'autre sens. Si les coins de votre coupe en plongée ne sont pas complètement coupés, utilisez une scie sauteuse ou une scie égoïne pour finir les coins.

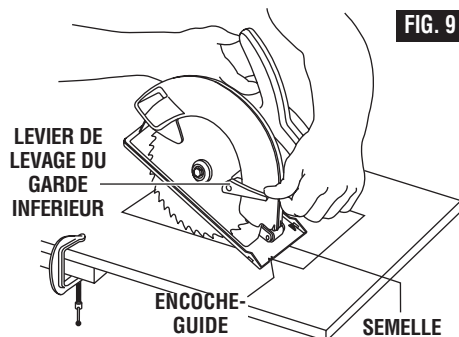


FIG. 9

### COUPE DE GRANDES FEUILLES

Les grandes feuilles et les longs panneaux fléchissent ou plient, selon la façon dont ils sont soutenus. Si vous essayez de les couper sans les avoir mise au niveau et soutenus par des supports au préalable, la lame aura tendance à gripper provoquant des REBONDS et la surcharge du moteur (Fig. 10).

Placez le panneau ou la planche sur des supports situés à proximité de la ligne de coupe, comme l'indique la

(Fig. 11). Assurez-vous que la profondeur de coupe est réglée de manière à ce que la lame ne traverse que la feuille ou la planche à couper, sans faire d'entailles dans la table de travail ou l'établi. Les deux-par-quatre utilisés pour soulever et soutenir la pièce devraient reposer à plat entre celle-ci et la table ou l'établi. Ne placez jamais les deux-par-quatre sur leurs côtés plus étroits car cet arrangement manquerait de stabilité. Si la feuille ou le panneau est plus grand que la table ou l'établi, placez-le sur des deux-par-quatre sur le plancher et assujettissez-le.

FIG. 10

MAUVAISE  
MANIÈRE

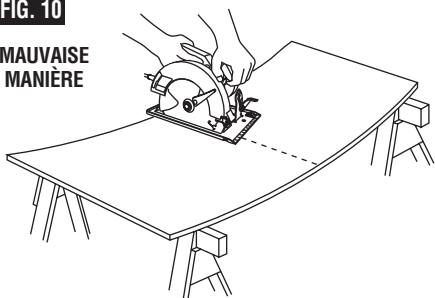
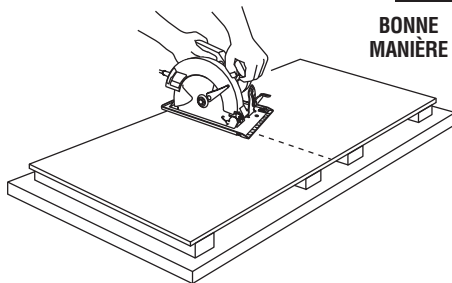


FIG. 11

BONNE  
MANIÈRE



### COUPES DE REFENTE

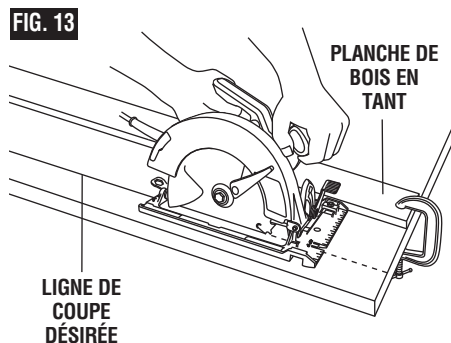
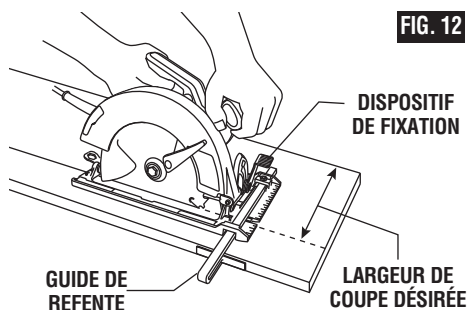
La lame universelle fournie avec la scie convient tant pour les coupes en travers que pour les coupes de refente. La refente est la coupe en long, en sens du grain du bois. Les coupes de refente sont faciles à exécuter avec un guide de refente (Fig. 12). Le guide de refente (non livré avec la scie) est disponible moyennant supplément de prix. Pour attacher le guide, insérez celui-ci dans le pied jusqu'à la largeur désirée, comme illustré, et sécurisez au moyen d'un dispositif de fixation (non inclus).

**AVERTISSEMENT** Veillez à ce que le guide de refente ne fasse pas obstacle au libre mouvement du dispositif de protection inférieur et de la lame de la scie. L'entrée en contact du guide de refente et du dispositif de protection inférieur ou de la lame peut causer des dommages matériels et des blessures graves.

#### UTILISATION D'UNE PLANCHE COMME GUIDE DE REFENTE

Si vous devez exécuter une coupe de refente sur de grandes feuilles, il est possible que le guide de refente ne soit pas assez long pour permettre d'exécuter une coupe à la largeur désirée. Dans ce cas, une planche bien droite de 25 mm (1") d'épaisseur fixée à la feuille au moyen de serres ou de clous peut servir de guide (Fig. 13). Faites glisser le côté droit de la semelle contre la planche.

**AVERTISSEMENT** Assurez-vous que les brides de fixation ne font pas obstacle au mouvement libre de la scie.



## Entretien

### Service

**AVERTISSEMENT** Tout entretien préventif effectué par des personnels non autorisés peut résulter en mauvais placement de fils internes ou de pièces, ce qui peut présenter un danger grave. Nous vous conseillons de faire faire tout l'entretien par un centre de service d'usine Skil ou une station service agréée Skil.

### LUBRIFICATION DE L'OUTIL

Votre outil Skil a été lubrifié correctement en usine et il est prêt à l'utilisation. Nous vous conseillons de graisser les outils qui comportent des engrenages avec un lubrifiant à engrenages spécial à chaque fois que vous changez les balais.

### BALAIS OU CHARBONS

Les balais (ou charbons) et le collecteur de votre outil ont été conçus pour apporter de nombreuses heures de fonctionnement fiable. Pour maintenir le rendement du moteur à son maximum, nous vous conseillons de contrôler les balais tous les deux à six mois. Il ne faut utiliser que des balais de rechange Skil d'origine et conçus pour votre outil.

### PALIERIERS

Si les paliers commencent à faire du bruit (à cause de surcharges importantes ou du toupillage de matériaux très abrasifs) il faut les faire remplacer immédiatement pour éviter la surchauffe ou une panne de moteur.

### Nettoyage

**AVERTISSEMENT** Pour éviter les accidents, il faut toujours débrancher l'outil avant de le nettoyer ou de l'entretenir. Le

meilleur moyen de nettoyer l'outil est d'utiliser de l'air comprimé sec. Il faut toujours porter des lunettes de protection quand on utilise de l'air comprimé.

Les ouïes de ventilation et les leviers de l'interrupteur doivent rester propres et exempts de corps étrangers. Ne tentez pas de les nettoyer en enfonçant des objets pointus dans les orifices.

**AVERTISSEMENT** Certains agents de nettoyages et certains dissolvants abîment les pièces en plastique. Parmi ceux-ci se trouvent: l'essence, le tétrachlorure de carbone, les dissolvants de nettoyage chlorés, l'ammoniaque ainsi que les détergents domestiques qui en contiennent.

### ENTRETIEN DES LAMES

Les lames finissent par s'é mousser, même à couper des pièces de bois régulières. Si vous constatez que vous devez forcer la scie à avancer plutôt que de la guider simplement vers la ligne de coupe, il est probable que la lame est émoussée ou souillée de résine.

Quand vous devez enlever la gomme et la résine de la lame de votre scie, débranchez d'abord la scie avant d'enlever la lame. Souvenez-vous que les lames sont des objets tranchants et qu'elles doivent être manipulées avec soin. Essuyez la lame avec du kérosène ou un dissolvant similaire pour enlever l'accumulation de gomme et de résine. À moins que vous soyez parfaitement familier avec l'affûtage des lames, nous vous déconseillons de l'essayer.

## Cordons de rallonge

**AVERTISSEMENT** Si un cordon de rallonge s'avère nécessaire, vous devez utiliser un cordon avec conducteurs de dimension adéquate pouvant porter le courant nécessaire à votre outil. Ceci préviendra une chute excessive de tension, une perte de courant ou une surchauffe. Les outils mis à la terre doivent utiliser des cordons de rallonge trifilaires pourvus de fiches à trois broches ainsi que des prises à trois broches.

**REMARQUE** : Plus le calibre est petit, plus le fil est gros.

### DIMENSIONS DE RALLONGES RECOMMANDÉES OUTILS 120 VOLTS COURANT ALTERNATIF

Intensité nominale de l'outil	Calibre A.W.G.				Calibre en mm <sup>2</sup>			
	Longueur en pieds				Longueur en mètres			
	25	50	100	150	15	30	60	120
3-6	18	16	16	14	0.75	0.75	1.5	2.5
6-8	18	16	14	12	0.75	1.0	2.5	4.0
8-10	18	16	14	12	0.75	1.0	2.5	4.0
10-12	16	16	14	12	1.0	2.5	4.0	-
12-16	14	12	-	-	-	-	-	-

## Accessoires

**AVERTISSEMENT** L'utilisation de tout autre accessoire non spécifié dans ce manuel peut présenter un danger.

\* Lame (P/N 1600A004SC)

(\* = équipement de série)

\* Clé (P/N 1619X03633)

(\*\* = accessoires optionnels)

\*\* Guide de Refente (P/N 2610914629)

## Guide de diagnostic

### AVERTISSEMENT

Commencer par lire le mode d'emploi ! Débranchez le cordon d'alimentation de la prise de courant avant d'effectuer des réglages ou d'assembler la lame.

- CAUSES POSSIBLES :**
- PROBLÈME : LA SCIE NE DÉMARRE PAS.**
1. Le cordon d'alimentation n'est pas branché.
  2. Le fusible est grillé ou le disjoncteur est déclenché.
  3. Le cordon d'alimentation est endommagé.
  4. L'interrupteur est grillé.
  5. L'actionnement de la gâchette ne met pas l'outil en marche.
- SOLUTIONS :**
1. Brancher le cordon de la scie.
  2. Remplacer le fusible ou réenclencher le disjoncteur.
  3. Inspecter le cordon pour évaluer les dommages possibles. En cas d'endommagement, faire remplacer le cordon par un Centre de service ou une station service Skil agréé.
  4. Faire remplacer l'interrupteur par un Centre de service ou une station service Skil agréé.
  5. Faire remplacer l'interrupteur par un Centre de service ou une station service Skil agréé.
- CAUSES POSSIBLES :**
- PROBLÈME : LA LAME NE TOURNE PAS À UNE VITESSE SUFFISANTE.**
1. La rallonge du cordon d'alimentation est trop long ou son calibre est trop faible.
  2. La tension secteur est insuffisante.
- SOLUTIONS :**
1. Utiliser une rallonge adéquate.
  2. Contacter la compagnie d'électricité.
- CAUSES POSSIBLES :**
- PROBLÈME : VIBRATIONS EXCESSIVES**
1. La lame est déséquilibrée.
  2. L'ouvrage n'est pas assujéti ou supporté comme il faudrait.
- SOLUTIONS :**
1. Mettre la lame au rebut et en utiliser une autre.
  2. Assujettir ou supporter l'ouvrage comme illustré aux pages 24 et 26.
- CAUSE POSSIBLE :**
- PROBLÈME : LES COUPES TRANSVERSALES NE SONT PAS D'ÉQUERRE.**
1. La semelle n'est pas ajustée correctement..
- SOLUTION :**
1. Dans la section « Consignes de fonctionnement », voir les rubriques intitulées « Réglage du biseau » (page 24), « Guide d'alignement » (page 25), « Coupe de grandes feuilles » (page 26) et « Coupes de refente » (page 27).
- CAUSES POSSIBLES :**
- PROBLÈME : LA LAME SE COINCE OU SUBIT UN ÉCHAUFFEMENT EXCESSIF, OU LE MOTEUR CALE PENDANT LES COUPES EN LONG.**
1. La lame est émoussée et la voie des dents est mal adaptée.
  2. L'ouvrage est gondolé.
  3. La lame se bloque.
  4. L'ouvrage n'est pas supporté adéquatement.
- SOLUTIONS :**
1. Mettre la lame au rebut et en utiliser une autre.
  2. S'assurer que l'ouvrage est placé avec le côté concave (creux) VERS LE BAS, et faire avancer lentement (page 26).
  3. Assembler la lame et serrer l'embrayage Vari-Torque conformément aux « Instructions d'assemblage » (voir page 23).
  4. Assujettir ou supporter l'ouvrage comme illustré aux pages 24 et 26.
- CAUSE POSSIBLE :**
- PROBLÈME : DÉRAPAGE DE LA LAME**
1. L'outil ne coupe pas l'ouvrage.
- SOLUTION :**
1. Assembler la lame et serrer l'embrayage Vari-Torque conformément aux « Instructions d'assemblage » (voir page 23).



## Advertencias generales de seguridad para herramientas mecánicas



### ADVERTENCIA

Lea todas las advertencias de seguridad y todas las instrucciones. Si no se siguen las advertencias e instrucciones, el resultado podría ser sacudidas eléctricas, incendio y/o lesiones graves.

### GUARDE TODAS LAS ADVERTENCIAS E INSTRUCCIONES PARA REFERENCIA FUTURA

La expresión "herramienta mecánica" en las advertencias se refiere a su herramienta mecánica alimentada por la red eléctrica (herramienta alámbrica) o su herramienta mecánica alimentada por baterías (herramienta inalámbrica).

#### Seguridad del área de trabajo

**Mantenga el área de trabajo limpia y bien iluminada.**

Las áreas desordenadas u oscuras invitan a que se produzcan accidentes.

**No utilice herramientas mecánicas en atmósferas explosivas, como por ejemplo en presencia de líquidos, gases o polvos inflamables.** Las herramientas mecánicas generan chispas que pueden incendiar el polvo o los vapores.

**Mantenga alejados a los niños y a las personas que estén presentes mientras esté utilizando una herramienta mecánica.** Las distracciones pueden hacerle perder el control de la herramienta.

#### Seguridad eléctrica

**Los enchufes de las herramientas mecánicas deben coincidir con el tomacorriente. No modifique nunca el enchufe de ningún modo. No use enchufes adaptadores con herramientas mecánicas conectadas a tierra (puestas a tierra).** Los enchufes no modificados y los tomacorrientes coincidentes reducirán el riesgo de sacudidas eléctricas.

**Evite el contacto del cuerpo con las superficies conectadas o puestas a tierra, tales como tuberías, radiadores, estufas y refrigeradores.** Hay un aumento del riesgo de sacudidas eléctricas si el cuerpo del operador se conecta o pone a tierra.

**No exponga las herramientas mecánicas a la lluvia o a condiciones mojadas.** La entrada de agua en una herramienta mecánica aumentará el riesgo de que se produzcan sacudidas eléctricas.

**No maltrate el cordón de energía. No use nunca el cordón para transportar la herramienta mecánica, tirar de ella o desenchufarla. Mantenga el cordón alejado del calor, el aceite, los bordes afilados o las piezas móviles.** Los cordones dañados o enganchados aumentan el riesgo de que se produzcan sacudidas eléctricas.

**Cuando utilice una herramienta mecánica en el exterior, use un cordón de extensión adecuado para uso a la intemperie.** La utilización de un cordón adecuado para uso a la intemperie reduce el riesgo de que se produzcan sacudidas eléctricas.

**Si es inevitable utilizar una herramienta mecánica en un lugar húmedo, utilice una fuente de energía**

**protegida por un interruptor de circuito accionado por corriente de pérdida a tierra (GFCI).** El uso de un GFCI reduce el riesgo de sacudidas eléctricas.

#### Seguridad personal

**Manténgase alerta, fíjese en lo que está haciendo y use el sentido común cuando esté utilizando una herramienta mecánica cuando esté cansado o bajo la influencia de drogas, alcohol o medicamentos.** Un momento de distracción mientras esté utilizando herramientas mecánicas podría causar lesiones corporales graves.

**Use equipo de protección personal. Use siempre protección de los ojos.** El equipo de protección, como por ejemplo una máscara antipolvo, calzado de seguridad antideslizante, casco o protección de oídos, utilizado para las condiciones apropiadas, reducirá las lesiones corporales.

**Evite el arranque accidental. Asegúrese de que el interruptor esté en la posición de apagado antes de conectar la herramienta a la fuente de energía y / o al paquete de batería, levantar la herramienta o transportarla.** Transportar herramientas mecánicas con un dedo en el interruptor o encender herramientas mecánicas que tengan el interruptor en la posición de encendido invita a que se produzcan accidentes.

**Quite todas las llaves de ajuste o de tuerca antes de encender la herramienta mecánica.** Una llave de tuerca o de ajuste que se deje colocada en una pieza giratoria de la herramienta mecánica podría causar lesiones corporales.

**No intente alcanzar demasiado lejos. Mantenga un apoyo de los pies y un equilibrio apropiados en todo momento.** Esto permite controlar mejor la herramienta mecánica en situaciones inesperadas.

**Vístase adecuadamente. No use ropa holgada ni alhajas holgadas. Mantenga el pelo, la ropa y los guantes alejados de las piezas móviles.** La ropa holgada, las alhajas holgadas o el pelo largo pueden quedar atrapados en las piezas móviles.

**Si se proporcionan dispositivos para la conexión de instalaciones de extracción y recolección de polvo, asegúrese de que dichas instalaciones estén conectadas y se usen correctamente.** El uso de dispositivos de recolección de polvo puede reducir los peligros relacionados con el polvo.

## Uso y cuidado de las herramientas mecánicas

**No fuerce la herramienta mecánica. Use la herramienta mecánica correcta para la aplicación que desee realizar.** La herramienta mecánica correcta hará el trabajo mejor y con más seguridad a la capacidad nominal para la que fue diseñada.

**No use la herramienta mecánica si el interruptor no la enciende y apaga.** Toda herramienta mecánica que no se pueda controlar con el interruptor es peligrosa y debe ser reparada.

**Desconecte el enchufe de la fuente de energía y/o el paquete de batería de la herramienta mecánica antes de hacer cualquier ajuste, cambiar accesorios o almacenar herramientas mecánicas.** Dichas medidas preventivas de seguridad reducen el riesgo de arrancar accidentalmente la herramienta mecánica.

**Guarde las herramientas que no esté usando fuera del alcance de los niños y no deje que personas que no estén familiarizadas con la herramienta mecánica o con estas instrucciones utilicen la herramienta.** Las herramientas mecánicas son peligrosas en manos de usuarios que no hayan recibido capacitación.

**Mantenga las herramientas mecánicas. Compruebe si hay piezas móviles desalineadas o que se atoran, si**

**hay piezas rotas y si existe cualquier otra situación que podría afectar el funcionamiento de la herramienta mecánica.** Si la herramienta mecánica está dañada, haga que la reparen antes de usarla. Muchos accidentes son causados por herramientas mecánicas mantenidas deficientemente.

**Mantenga las herramientas de corte afiladas y limpias.** Es menos probable que las herramientas de corte mantenidas apropiadamente, con bordes de corte afilados, se atoren, y dichas herramientas son más fáciles de controlar.

**Utilice la herramienta mecánica, los accesorios, las brocas de la herramienta, etc., de acuerdo con estas instrucciones, teniendo en cuenta las condiciones de trabajo y el trabajo que se vaya a realizar.** El uso de la herramienta mecánica para operaciones distintas a aquéllas para las que fue diseñada podría causar una situación peligrosa.

## Servicio de ajustes y reparaciones

**Haga que su herramienta mecánica reciba servicio de un técnico de reparaciones calificado, utilizando únicamente piezas de repuesto idénticas.** Esto asegurará que se mantenga la seguridad de la herramienta mecánica.

## Normas de seguridad para sierras circulares

**⚠ ADVERTENCIA** Lea todas las advertencias de seguridad y todas las instrucciones.

### Procedimientos de corte

**⚠ PELIGRO** Mantenga las manos alejadas del área de corte y de la hoja. Mantenga la segunda mano en el mango auxiliar o en la caja del motor. Si las manos están sujetando la sierra, la hoja no puede cortarlas.

**No ponga la mano debajo de la pieza de trabajo.** El protector no puede protegerle de la hoja debajo de la pieza de trabajo.

**Ajuste la profundidad de corte al grosor de la pieza de trabajo.** Menos de un diente completo de los dientes de la hoja debería ser visible por debajo de la pieza de trabajo.

**Nunca tenga en las manos ni apoye en la pierna la pieza que se está cortando. Sujete firmemente la pieza de trabajo a una plataforma estable.** Es importante apoyar la pieza de trabajo adecuadamente para minimizar la exposición del cuerpo, el atasco de la hoja y la pérdida de control.

**Sujete la herramienta mecánica por las superficies de agarre aisladas al realizar una operación en la que la herramienta de corte pueda entrar en contacto con cables ocultos o con su propio cordón.** El contacto con un cable con corriente también hará que las partes

metálicas al descubierto de la herramienta lleven corriente y el resultado podría ser una descarga eléctrica al operador.

**Al cortar al hilo, utilice siempre un tope-guía para cortar al hilo o una guía de borde recto.** Esto aumenta la precisión del corte y reduce las posibilidades de que la hoja se atasque.

**Utilice siempre hojas con agujeros de eje portaherramienta de tamaño y forma correctos (diamante frente a redondo).** Las hojas que no coincidan con las piezas de montaje de la sierra girarán excéntricamente, causando pérdida de control.

**Nunca utilice arandelas o perno de hoja dañados o incorrectos.** Las arandelas y el perno de la hoja se diseñaron especialmente para la sierra con objeto de lograr un rendimiento óptimo y un funcionamiento con seguridad.

**Inspeccione el estado y la calidad de la madera y quitele todos los clavos antes de realizar el corte.** La madera mojada, la madera verde y la madera tratada a presión requieren atención especial durante la operación de corte para prevenir el retroceso.

**Sujete la sierra firmemente para evitar la pérdida de control.** Las figuras que aparecen en este manual

ilustran la manera típica de sujetar la sierra con las manos.

**Según el uso, es posible que el interruptor no dure toda la vida de la sierra. Si el interruptor falla en la posición "OFF" (apagado), puede que la sierra no arranque.** Si falla mientras la sierra está en marcha, puede que ésta no se pueda apagar. Si se produce cualquiera de estas dos situaciones, desenchufe la sierra inmediatamente y no la utilice hasta que haya sido reparada.

**Esta sierra circular no se debe montar en una mesa para convertirla en una sierra de mesa.** Las sierras circulares no están diseñadas ni concebidas para usarse como sierras de mesa.

### Causas del retroceso y advertencias relacionadas

El retroceso es una reacción repentina al pellizcamiento, atasco o desalineación de la hoja de sierra que hace que una sierra descontrolada se eleve y salga de la pieza de trabajo en dirección al operador.

Cuando la hoja se pellizca o se atasca fuertemente al estrecharse la separación de corte, la hoja se detiene y la reacción del motor impulsa la unidad rápidamente hacia atrás en dirección al operador.

Si la hoja se tuerce o se desalinea en el corte, los dientes del filo trasero de la hoja pueden penetrar en la superficie superior de la madera, haciendo que la hoja se salga de la separación de corte y salte hacia atrás en dirección al operador.

El retroceso es el resultado del uso incorrecto de la herramienta y/o de procedimientos o condiciones de funcionamiento incorrectos y se puede evitar tomando las precauciones adecuadas que se indican a continuación:

**Mantenga un agarre firme de la sierra con las dos manos y sitúe los brazos para resistir las fuerzas de retroceso. Sitúe el cuerpo en cualquiera de los dos lados de la hoja, pero no en línea con la hoja.** El retroceso podría hacer que la sierra salte hacia atrás, pero las fuerzas de retroceso pueden ser controladas por el operador, si se toman las precauciones adecuadas.

**Cuando la hoja se atasque o cuando se interrumpa un corte por cualquier razón, suelte el gatillo y sujete la sierra en posición inmóvil en el material hasta que la hoja se detenga por completo. Nunca intente retirar la sierra de la pieza de trabajo ni tirar de la sierra hacia atrás mientras la hoja está en movimiento o de lo contrario se podrá producir retroceso.** Investigue y tome medidas correctoras para eliminar la causa del atasco de la hoja.

**Al volver a arrancar una sierra en una pieza de trabajo, centre la hoja de sierra en la separación de corte y compruebe que los dientes de la sierra no estén encajados en el material.** Si la hoja de sierra se atasca, es posible que se desplace hacia arriba o que se produzca retroceso respecto a la pieza de trabajo al volver a arrancar la sierra.

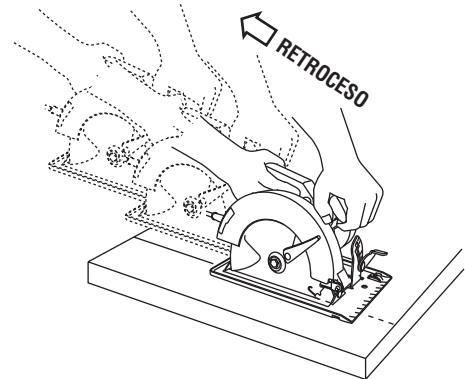
**Soporte los paneles grandes para minimizar el riesgo de que se produzcan pellizcamiento de la hoja y retroceso.** Los paneles grandes tienden a combarse bajo su propio peso. Se deben colocar soportes bajo el panel a ambos lados, cerca de la línea de corte y cerca del borde del panel.

**No utilice una broca desafilada o dañada.** Las hojas desafiladas o ajustadas incorrectamente producen una separación de corte estrecha, causando fricción excesiva, atasco de la hoja y retroceso.

**Las palancas de fijación de profundidad de la hoja y de ajuste de inclinación de la hoja deben estar apretadas y fijas antes de hacer el corte.** Si el ajuste de la hoja cambia mientras se está haciendo un corte, puede causar atasco y retroceso.

**Tenga precaución especial al hacer un operaciones de aserrado en paredes existentes o en otras áreas ciegas.** La hoja que sobresale puede cortar objetos que pueden causar retroceso.

**Las arandelas y el perno de la hoja de la sierra se han diseñado para funcionar como un embrague para reducir la intensidad de un retroceso. Entienda el funcionamiento y las posiciones del EMBRAGUE DE PAR MOTOR VARIABLE.** El ajuste apropiado del embrague, combinado con un manejo firme de la sierra, le permitirá controlar el retroceso.



**Nunca ponga la mano detrás de la hoja de sierra.** El retroceso podría hacer que la sierra salte hacia atrás sobre la mano.

**No utilice la sierra con un ajuste de la profundidad de corte que sea excesivo.** Si una parte demasiado grande de la hoja queda al descubierto, se aumentan las posibilidades de que la hoja se tuerza en la sección de corte y se aumenta el área de superficie de la hoja disponible para causar un pellizco que produzca retroceso.

### Función del protector inferior

**Compruebe si el protector inferior cierra correctamente antes de cada uso. No haga funcionar la sierra si el protector inferior no se mueve libremente y no se cierra instantáneamente. Nunca fije con abrazaderas ni ate**

**el protector inferior en la posición abierta.** Si la sierra se cae accidentalmente, es posible que el protector inferior se doble. Suba el protector inferior únicamente con la palanca de elevación del protector inferior y asegúrese de que se mueva libremente y de que no toque la hoja ni ninguna otra pieza en todos los ángulos y profundidades de corte.

**Compruebe el funcionamiento del resorte del protector inferior. Si el protector y el resorte no funcionan correctamente, se deben ajustar o reparar antes de usar la sierra.** El protector inferior puede funcionar con dificultad debido a que haya piezas dañadas o a la presencia de depósitos gomosos o una acumulación de residuos.

**El protector inferior se debe retraer manualmente sólo para hacer cortes especiales, tales como "cortes por penetración" y "cortes compuestos".** Suba el protector inferior usando la palanca de elevación del protector inferior. En cuanto la hoja entre en el material, se debe soltar el protector inferior. Para todas las demás

operaciones de aserrado, el protector inferior debe funcionar automáticamente.

**Asegúrese siempre de que el protector inferior esté cubriendo la hoja antes de dejar la sierra en un banco o en el piso.** Si la hoja no tiene protección y gira por inercia hasta detenerse, hará que la sierra se mueva hacia atrás, cortando todo lo que encuentre a su paso. Sepa el tiempo que debe transcurrir para que la hoja se detenga después de soltar el interruptor.

**No tenga la herramienta en marcha mientras la lleva a su lado. El protector inferior se puede abrir al entrar en contacto con su ropa.** El contacto accidental con la hoja de sierra que gira podría ocasionar lesiones personales graves.

**Periódicamente quite la hoja, limpie con queroseno los protectores superior e inferior y el área central y séquelos con un trapo o límpielos con chorro de aire comprimido.** El mantenimiento preventivo y un protector que funcione correctamente reducirán la probabilidad de que se produzca un accidente.

## Advertencias de seguridad adicionales

Un GFCI y los dispositivos de protección personal, como guantes de goma y calzado de goma de electricista, mejorarán más su seguridad personal.

**No use herramientas mecánicas con capacidad nominal solamente para CA con una fuente de energía de CC.** Aunque pueda parecer que la herramienta funciona correctamente, es probable que los componentes eléctricos de la herramienta con capacidad nominal para CA fallen y creen un peligro para el operador.

**Mantenga los mangos secos, limpios y libres de aceite y grasa.** Las manos resbalosas no pueden controlar de modo seguro la herramienta mecánica.

**Use abrazaderas u otro modo práctico de sujetar y soportar la pieza de trabajo en una plataforma estable.** Si se sujeta la pieza de trabajo con la mano o contra el cuerpo, se crea una situación inestable que podría causar pérdida de control.

**Desarrolle un programa de mantenimiento periódico de la herramienta. Cuando limpie una herramienta, tenga cuidado de no desmontar ninguna de sus partes, ya que los cables internos podrían reubicarse incorrectamente o pellizcarse, o los resortes de retorno de los protectores de seguridad podrían montarse incorrectamente.** Ciertos agentes de

limpieza, tales como gasolina, tetracloruro de carbono, amoníaco, etc., podrían dañar las piezas de plástico.

Riesgo de lesiones para el usuario. El cordón de energía debe recibir servicio de ajustes y reparaciones solamente por un Centro de Servicio de Fábrica Skil o una Estación de Servicio Skil Autorizada.









**⚠️ ADVERTENCIA** Cierta polvo generado por el lijado, aserrado, amolado y taladrado mecánicos, y por otras actividades de construcción, contiene agentes químicos que se sabe que causan cáncer, defectos de nacimiento u otros daños sobre la reproducción. Algunos ejemplos de estos agentes químicos son:

- Plomo de pinturas a base de plomo,
- Sílice cristalina de ladrillos y cemento y otros productos de mampostería, y
- Arsénico y cromo de madera tratada químicamente.

Su riesgo por causa de estas exposiciones varía, dependiendo de con cuánta frecuencia realice este tipo de trabajo. Para reducir su exposición a estos agentes químicos: trabaje en un área bien ventilada y trabaje con equipo de seguridad aprobado, como por ejemplo máscaras antipolvo que estén diseñadas especialmente para impedir mediante filtración el paso de partículas microscópicas.

## Símbolos

**IMPORTANTE:** Es posible que algunos de los símbolos siguientes se usen en su herramienta. Por favor, estúdielos y aprenda su significado. La interpretación adecuada de estos símbolos le permitirá utilizar la herramienta mejor y con más seguridad.

Símbolo	Désignación / Explicación
V	Volt (tensión)
A	Ampere (corriente)
Hz	Hertz (frecuencia, ciclos por segundo)
W	Watt (potencia)
kg	Kilogramo (peso)
min	Minuto (tiempo)
s	Segundo (tiempo)
$\varnothing$	Diámetro (tamaño de las brocas taladradoras, muelas, etc)
$n_0$	Velocidad sin carga (velocidad rotacional sin carga)
n	Velocidad nominal (máxima velocidad obtenible)
.../min	Revoluciones o alternación por minuto (revoluciones, golpes, velocidad de superficie, órbitas, etc., por minuto)
0	Posición "off" (velocidad cero, par motor cero...)
1, 2, 3, ... I, II, III,	Graduaciones del selector (graduaciones de velocidad, par motor o posición. Un número más alto significa mayor velocidad)
	Selector infinitamente variable con apagado (la velocidad aumenta desde la graduación de 0)
	Flecha (Acción en la dirección de la flecha)
	Corriente alterna (tipo o una característica de corriente)
	Corriente continua (tipo o una característica de corriente)
	Corriente alterna o continua (tipo o una característica de corriente)
	Construcción de clase II (designa las herramientas de construcción con aislamiento doble)
	Terminal de toma de tierra (terminal de conexión a tierra)
	Símbolo de advertencia (Alerta al usuario sobre mensajes de advertencia)

## Símbolos (continuación)

**IMPORTANTE:** Es posible que algunos de los símbolos siguientes se usen en su herramienta. Por favor, estúdielos y aprenda su significado. La interpretación adecuada de estos símbolos le permitirá utilizar la herramienta mejor y con más seguridad.

Símbolo	Désignación / Explicación
	Alerta al usuario para que lea el manual.
	Alerta al usuario para que use protección de los ojos.
	Este símbolo indica que esta herramienta está catalogada por Underwriters Laboratories.
	Este símbolo indica que este componente está reconocido por Underwriters Laboratories.
	Este símbolo indica que Underwriters Laboratories ha catalogado esta herramienta indicando que cumple con las normas estadounidenses y canadienses.
	Este símbolo indica que esta herramienta está catalogada por la Canadian Standards Association.
	Este símbolo indica que la Canadian Standards Association ha catalogado esta herramienta indicando que cumple con las normas estadounidenses y canadienses.
	Este símbolo indica que Intertek Testing Services ha catalogado esta herramienta indicando que cumple con las normas estadounidenses y canadienses.
	Este símbolo indica que esta herramienta cumple con la norma mexicana oficial (NOM).

### Cumple con las siguientes normas:

Estándar UL No. 60745-1 y 60745-2-5

### Certificado conforme a las siguientes normas:

Estándar CAN/CSA C22.2 No. 60745-1 y 60745-2-5

## Descripción funcional y especificaciones



### ADVERTENCIA

Desconecte el enchufe de la fuente de energía antes de realizar cualquier ensamblaje o ajuste, o cambiar accesorios. Estas medidas de seguridad preventivas reducen el riesgo de arrancar la herramienta accidentalmente.

## Sierras circulares

FIG. 1a

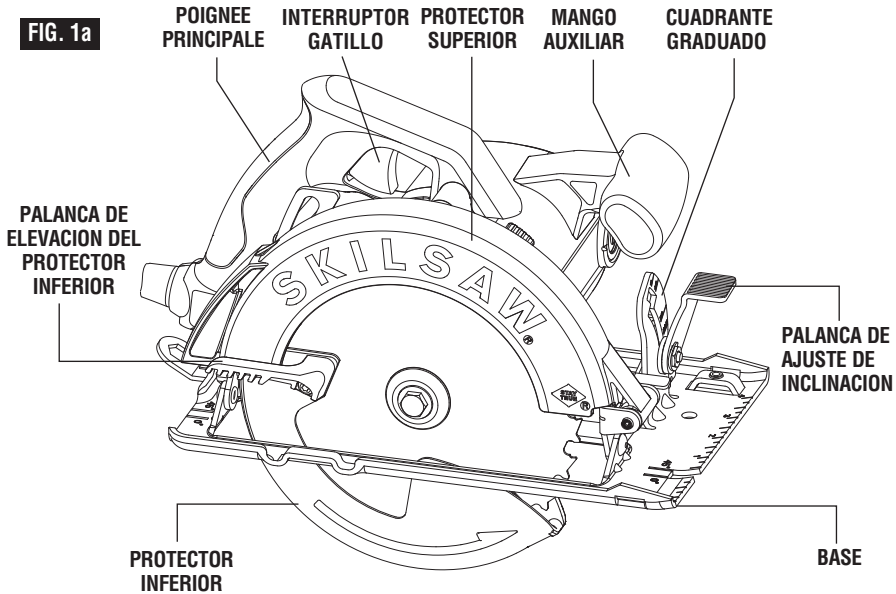
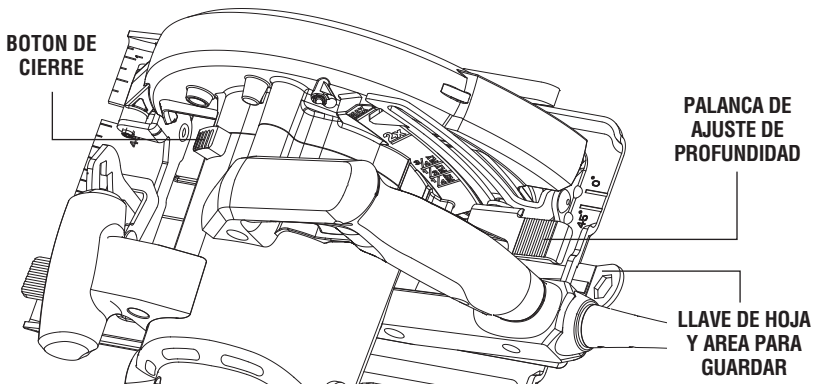


FIG. 1b



### Modelo

SPT67WE

### Capacidades máximas

Hoja

184 mm

Agujero de eje portaherramienta de la hoja

Redondo 15,87 mm

Profundidad de corte a 90°

2-7/16" (62,0mm)

Profundidad de corte a un bisel de 45°

1-7/8" (47,6mm)

Profundidad de corte a un bisel de 51°

1-11/16" (42,9mm)

**NOTA:** Para obtener las especificaciones de la herramienta, consulte la placa del fabricante colocada en la herramienta.



## Ensamblaje

### COLOCACION DE LA HOJA

**⚠ ADVERTENCIA** Desconecte el enchufe de la fuente de energía antes de realizar cualquier ensamblaje o ajuste, o cambiar accesorios. Estas medidas de seguridad preventivas reducen el riesgo de arrancar la herramienta accidentalmente.

**⚠ ADVERTENCIA** Utilice únicamente una hoja de 7 1/4 pulgadas con capacidad nominal de 5300/min (RPM) o mayor. La utilización de una hoja que no esté diseñada para la sierra puede causar lesiones corporales graves y daños materiales.

1. Oprima el botón de cierre y gire la llave de tuerca hasta que el botón de cierre encaje. Ahora el eje de la sierra está fijo. Continúe oprimiendo el botón, gire la llave en el sentido contrario a las agujas del reloj y quite el PERNO DE LA HOJA y la ARANDELA EXTERIOR (Fig. 2).
2. Asegúrese de que los dientes de la sierra y la flecha de la hoja están dirigidos en la misma dirección que la flecha del protector inferior.
3. Retraiga el protector inferior por completo hasta el interior del protector superior. Mientras que retrae el protector inferior, revise el funcionamiento y el estado del MUELLE DEL PROTECTOR INFERIOR.
4. Deslice la hoja a través de la ranura de la base y

móntela junto a la ARANDELA INTERIOR en el eje. Asegúrese de que no queda espacio entre el diámetro grande de las arandelas INTERIOR y EXTERIOR y la hoja.

5. Vuelva a instalar la ARANDELA EXTERIOR. Primero, apriete fuertemente con el dedo el PERNO DE LA HOJA y después APRIETE EL PERNO DE LA HOJA 1/8 DE VUELTA (45°) CON LA LLAVE DE TUERCA SUMINISTRADA.

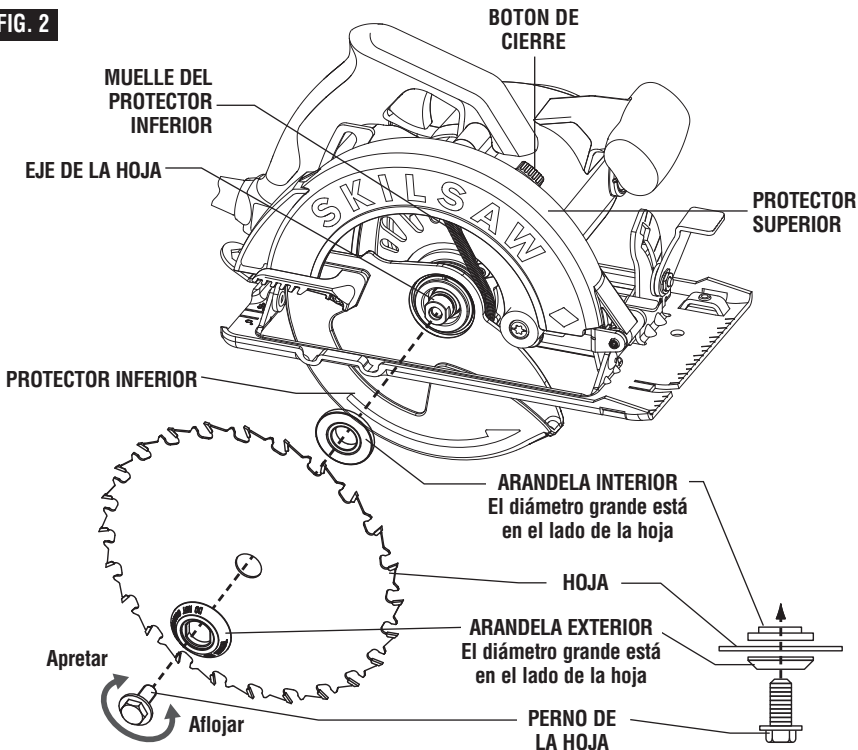
No utilice llaves con mangos más largos, ya que pueden hacer que el perno de la hoja quede excesivamente apretado.

### EMBRAGUE DE PAR MOTOR VARIABLE

Esta acción de embrague es proporcionada por la fricción de la ARANDELA EXTERIOR contra la HOJA y permite que el eje de la hoja gire cuando la hoja encuentra una resistencia excesiva. Cuando el PERNO DE LA HOJA está apretado adecuadamente (tal como se describe en el No. 5 de Colocación de la hoja), la hoja patinará al encontrar una resistencia excesiva, por lo que reducirá la tendencia de la sierra al RETROCESO.

Una posición de ajuste puede no ser suficiente para cortar todos los materiales. Si la hoja patina demasiado, apriete el perno de la hoja una fracción de vuelta más (menos de 1/8 de vuelta). EL APRETAR EXCESIVAMENTE EL PERNO DE LA HOJA ANULA LA EFICACIA DEL EMBRAGUE.

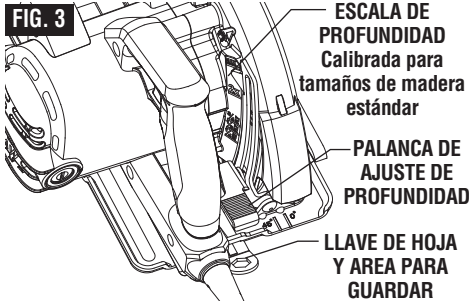
FIG. 2



## Instrucciones de funcionamiento

### AJUSTE DE PROFUNDIDAD

Desconecte el enchufe de la fuente de energía. Afloje la palanca de ajuste de profundidad situada entre el protector y el mango de la sierra. Sujete la base con una mano y suba o baje la sierra con el mango. Fije la palanca en la posición de ajuste de profundidad deseada. Verifique la profundidad deseada (Fig. 3).



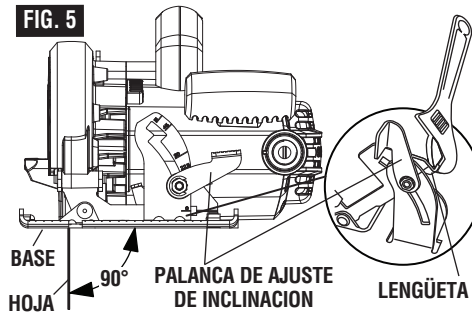
Para un astillado mínimo la longitud que debe sobresalir por debajo del material que se va a cortar no debe ser de más de un diente de hoja (Fig. 4).

**UN DIENTE ES LA LONGITUD QUE DEBE PENETRAR EN LA MADERA PARA UN ASTILLADO MINIMO**



### VERIFICACION DEL ANGULO DE CORTE DE 90°

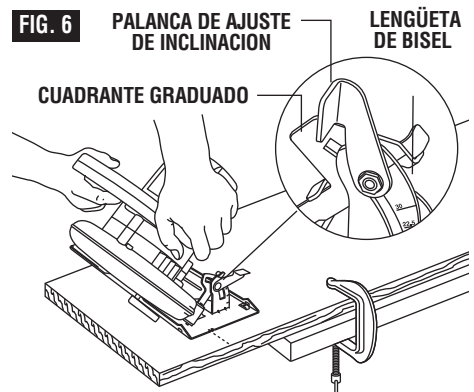
Desconecte el enchufe de la fuente de energía. Coloque la base en la posición de máxima profundidad de corte. Afloje la palanca de ajuste de inclinación, ajuste a 0° en el cuadrante, vuelva a apretar la palanca y con una escuadra verifique que hay un ángulo de 90° entre la hoja y el plano inferior de la base (Fig. 5). Si es necesario realizar un ajuste, incline la base hasta 45°, apriete la palanca de ajuste de inclinación y doble la "LENGÜETA" con una llave de tuerca ajustable o con unos alicates (Fig. 5).



### AJUSTE DE INCLINACION

Desconecte el enchufe de la fuente de energía. La base se puede ajustar hasta 45° aflojando la palanca de ajuste de inclinación en la parte delantera de la sierra. Realice la alineación con el ángulo deseado en el cuadrante graduado. Para ajustar más allá de 45°, tire hacia fuera de la lengüeta de bisel y la palanca de bisel; continúe el ajuste de bisel hasta 51°. Luego, apriete la palanca de ajuste de bisel (Fig. 6).

**⚠ ADVERTENCIA** Debido al aumento en la cantidad de acoplamiento de la hoja en la pieza de trabajo y a la disminución en la estabilidad de la base, se puede producir atasco de la hoja. Mantenga la sierra estable y la base firme sobre la pieza de trabajo.



### GUIA DE LINEA

Para un corte recto de 90°, utilice el lado derecho de la muesca de la base. Para cortes inclinados de 45°, utilice el lado izquierdo (Fig. 7). La muesca de la guía de corte proporcionará una línea de corte aproximada. Realice cortes de prueba en madera de desecho para verificar la línea de corte real. Esto servirá de ayuda debido al número de diferentes tipos y espesores de hoja disponibles. Para asegurar un astillado mínimo en el lado bueno del material que se va a cortar, coloque el lado bueno hacia abajo.

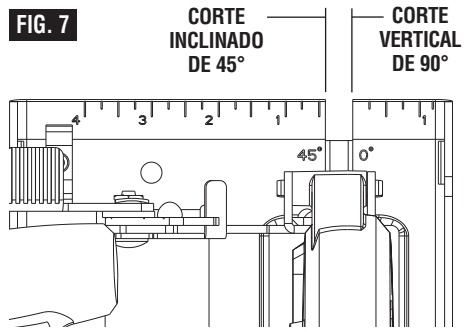


FIG. 7

### LLAVE DE HOJA Y AREA PARA GUARDAR

Se provee almacenamiento en la herramienta (Fig. 1A). La llave de tuerca está completamente asentada cuando el segundo retén de fijación está acoplado.

**PRECAUCION** Es necesario insertar la llave de tuerca con la orientación correcta (Fig. 8). Si se inserta incorrectamente, la pieza de trabajo podría sufrir daños.

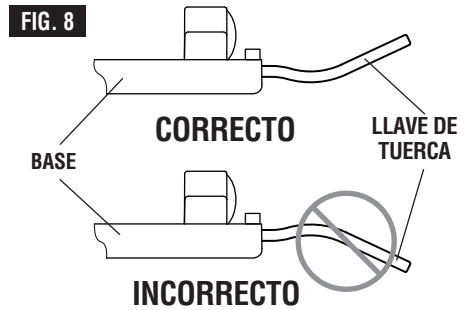


FIG. 8

### GUIA DE INTERRUPTOR

**ADVERTENCIA** Al arrancar la herramienta, sujétela con las dos manos. El par de fuerzas del motor puede hacer que la herramienta se tuerza.

Para encender la herramienta (posición "ON"), apriete el interruptor gatillo. Para apagar la herramienta (posición "OFF"), suelte el interruptor gatillo, que está accionado por muelle, y volverá a la posición "off" automáticamente.

La sierra debe funcionar a toda velocidad ANTES de comenzar el corte y se debe apagar únicamente DESPUES que se haya terminado el corte. Para aumentar la vida del interruptor, no apague y encienda el interruptor mientras esté cortando.

### CORTES GENERALES

Sujete siempre el mango de la sierra con una mano y el mango auxiliar o la caja protectora con la otra.

**ADVERTENCIA** Asegúrese siempre de que las manos no interfieran con el movimiento libre del protector inferior.

Agarre firmemente y accione el interruptor con una acción decidida. Nunca fuerce la sierra. Utilice una presión ligera y continua.

**ADVERTENCIA** Después de terminar un corte, tenga en cuenta el tiempo que se necesita para que la hoja se detenga por completo. No permita que la sierra le roce la pierna o el lado, ya que como el protector inferior es retráctil podría engancharse en la ropa y poner la hoja al descubierto. Tenga en cuenta los sitios en que la hoja está al descubierto por necesidad tanto en las áreas del protector inferior como del superior.

Cuando se interrumpe el corte, para seguir cortando: apriete el gatillo y deje que la hoja se ponga a toda velocidad, vuelva a entrar en el corte lentamente y siga cortando.

Cuando se corta a contrahilo, las fibras de la madera tienden a rasgarse y levantarse. El hacer que la sierra avance lentamente minimiza este efecto. Para un corte acabado se recomienda una hoja de corte transversal o una hoja de cortar a inglete.

### CORTE DE MAMPOSTERÍA Y METAL

Esta herramienta no está diseñada para utilizarse con ruedas de corte para metal o mampostería.

**ADVERTENCIA** No utilice ruedas abrasivas con sierras circulares. El polvo abrasivo puede hacer que el protector inferior falle.

### CORTES POR INMERSIÓN

Desconecte el enchufe de la fuente de energía antes de realizar ajustes. Gradúe el ajuste de profundidad de acuerdo con el material que se vaya a cortar. Reconecte el enchufe a la fuente de energía.

Agarre el mango principal de la sierra con una mano, incline la sierra hacia delante y apoye la parte delantera de la placa-base sobre el material que se vaya a cortar. Alinee la muesca de la guía de corte con la línea que ha dibujado. Suba el protector inferior utilizando la palanca de elevación del protector inferior y sujete la parte delantera de la placa-base con la otra mano (Fig. 9).

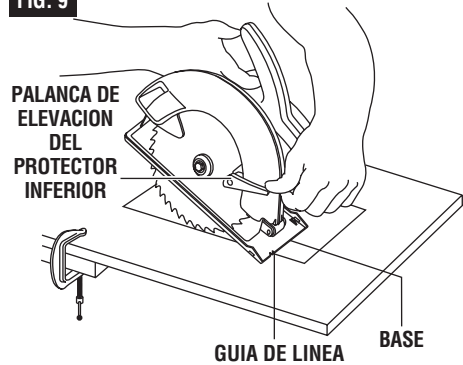
Posicione la sierra de manera que la hoja justo no toque el material que se vaya a cortar. Arranque el motor y una vez que éste haya alcanzado su máxima velocidad, baje gradualmente el extremo trasero de la sierra utilizando la parte delantera de la base como punto de bisagra.

**ADVERTENCIA** Una vez que la placa-base descansa en posición plana sobre la superficie que se esté cortando, libere el protector inferior y mueva la mano que sujeta la parte delantera de la placa-base para sujetar el mango auxiliar. Proceda a cortar en sentido hacia delante hasta el final del corte.

**ADVERTENCIA** Deje que la hoja se detenga por completo antes de sacar la sierra del corte. Además, nunca intente mover la sierra hacia atrás, ya que la hoja se saldrá del material y se producirá RETROCESO.

De la vuelta a la sierra y termine el corte de manera normal, aserrando hacia adelante. Si las esquinas del corte por inmersión no están siendo atravesadas completamente, utilice una sierra caladora o una sierra de mano para acabar las esquinas.

FIG. 9



### CORTE DE PLANCHAS GRANDES

Las planchas grandes y los tableros largos se curvan o se doblan según el apoyo. Si usted intenta cortar sin nivelar y sin apoyar la pieza adecuadamente, la hoja tenderá a atascarse, produciendo RETROCESO y una sobrecarga en el motor (Fig. 10).

Apoye el panel o el tablero cerca del corte, tal como se muestra en la (Fig. 11). Asegúrese de ajustar la profundidad de corte para cortar la plancha o el tablero solamente y no la mesa o el banco de trabajo. Las tablas de dos por cuatro pulgadas utilizadas para elevar y apoyar la pieza de trabajo deben colocarse de manera que los lados más anchos soporten la pieza de trabajo y descansen en la mesa o en el banco. No apoye la pieza de trabajo en los lados estrechos, ya que esta disposición es inestable. Si la plancha o el tablero a cortar es demasiado grande para una mesa o un banco de trabajo, utilice las tablas de apoyo de dos por cuatro pulgadas sobre el suelo y fije la pieza de trabajo.

FIG. 10

INCORRECTO

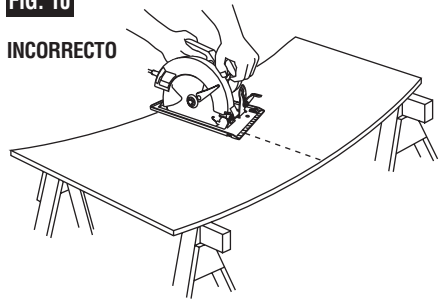
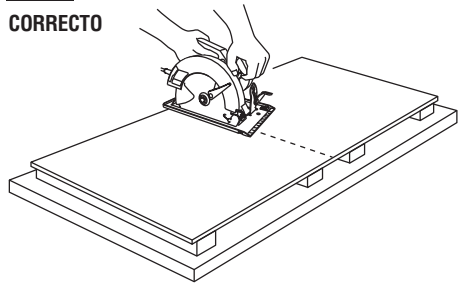


FIG. 11

CORRECTO



### CORTES AL HILO

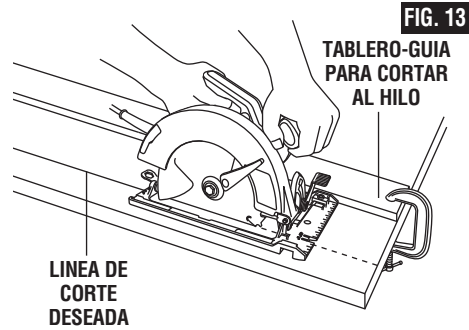
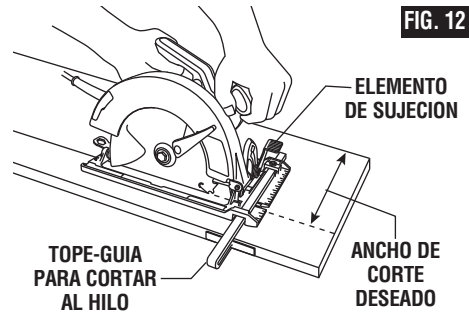
La hoja combinada suministrada con la sierra sirve tanto para cortes transversales como para cortes al hilo. El corte al hilo consiste en cortar a lo largo siguiendo la veta de la madera. Los cortes al hilo son fáciles de realizar con un tope-guía para cortar al hilo (Fig. 12). El tope-guía para cortar al hilo está disponible como accesorio (no incluido). Para instalar el tope-guía, insértelo a través de las ranuras ubicadas en la base hasta la anchura deseada, de la manera que se muestra en la ilustración, y sujételo firmemente con el elemento de sujeción (no incluido).

**ADVERTENCIA** Asegúrese de que el tope-guía para cortar al hilo no interfiera con el movimiento libre del protector inferior y de la hoja de sierra. Si el tope-guía para cortar al hilo entra en contacto con el protector inferior o con la hoja, puede causar daños materiales y lesiones corporales graves.

#### TABLERO-GUIA PARA CORTAR AL HILO

Cuando se cortan al hilo planchas grandes, puede que el tope-guía para cortar al hilo no permita el ancho de corte deseado. Sujete o clave una pieza recta de madera de 1" (25mm) a la plancha como guía (Fig. 13). Utilice el lado izquierdo de la base apoyándolo en la tablero-guía.

**ADVERTENCIA** Asegúrese de que las abrazaderas no interfieran con el movimiento libre de la sierra.



## Mantenimiento

### Servicio

**ADVERTENCIA** El mantenimiento preventivo realizado por personal no autorizado puede dar lugar a la colocación incorrecta de cables y componentes internos que podría constituir un peligro serio. Recomendamos que todo el servicio de las herramientas sea realizado por un Centro de servicio de fábrica Skil o por una Estación de servicio Skil autorizada.

### LUBRICACION DE LAS HERRAMIENTAS

Su herramienta Skil ha sido lubricada adecuadamente y está lista para la utilización. Se recomienda que las herramientas con engranajes se vuelvan a engrasar con un lubricante especial para engranajes en cada cambio de escobillas.

### ESCOBILLAS DE CARBON

Las escobillas y el conmutador de la herramienta han sido diseñados para muchas horas de servicio fiable. Para mantener un rendimiento óptimo del motor, recomendamos que cada dos a seis meses se examinen las escobillas. Sólo se deben usar escobillas de repuesto Skil genuinas diseñadas específicamente para su herramienta.

### RODAMIENTOS

Los rodamientos que se vuelven ruidosos (debido a la pesada carga o al corte de materiales muy abrasivos) deben ser sustituidos inmediatamente para evitar el sobrecalentamiento o el fallo del motor.

### Limpieza

**ADVERTENCIA** Para evitar accidentes desconecte siempre la herramienta de la fuente de energía antes de la limpieza o de la realización de cualquier mantenimiento. La herramienta se puede limpiar más eficazmente con aire comprimido seco. Use gafas de seguridad siempre que limpie herramientas con aire comprimido.

Las aberturas de ventilación y las palancas de interruptor deben mantenerse limpias y libres de materias extrañas. No intente limpiar introduciendo objetos puntiagudos a través de las aberturas.

**PRECAUCION** Ciertos agentes de limpieza y disolventes dañan las piezas de plástico. Algunos de estos son: gasolina, tetracloruro de carbono, disolventes de limpieza clorados, amoníaco y detergentes domésticos que contienen amoníaco.

### CUIDADO DE LAS HOJAS

Las hojas se desafilan incluso al cortar madera normal. Si usted tiene que forzar la sierra hacia adelante para que corte, en vez de simplemente guiarla a través del corte, lo más probable es que la hoja esté desafilada o cubierta de resina de madera.

Cuando limpie la hoja para quitarle la goma y la resina de madera, desenchufe la sierra y quite la hoja. Recuerde, las hojas están diseñadas para cortar, así que manipúlelas cuidadosamente. Limpie la hoja con queroseno o con un disolvente similar para eliminar la goma y la resina. A menos que usted tenga experiencia en afilar hojas, le recomendamos que no lo intente de trabajo.

## Cordones de extensión

**ADVERTENCIA** Si es necesario un cordón de extensión, se debe usar un cordón con conductores de tamaño adecuado que sea capaz de transportar la corriente necesaria para la herramienta. Esto evitará caídas de tensión excesivas, pérdida de potencia o recalentamiento. Las herramientas conectadas a tierra deben usar cordones de extensión de 3 hilos que tengan enchufes de 3 terminales y receptáculos para 3 terminales.

**NOTA:** Cuanto más pequeño es el número de calibre, más grueso es el cordón.

### TAMAÑOS RECOMENDADOS DE CORDONES DE EXTENSION HERRAMIENTAS DE 120 V CORRIENTE ALTERNA

Capacidad nominal en amperes de la herramienta	Tamaño del cordón en A.W.G.				Tamaños del cable en mm <sup>2</sup>			
	Longitud del cordón en pies				Longitud del cordón en metros			
	25	50	100	150	15	30	60	120
3-6	18	16	16	14	0.75	0.75	1.5	2.5
6-8	18	16	14	12	0.75	1.0	2.5	4.0
8-10	18	16	14	12	0.75	1.0	2.5	4.0
10-12	16	16	14	12	1.0	2.5	4.0	–
12-16	14	12	–	–	–	–	–	–

## Accesorios

**ADVERTENCIA** La utilización de cualquier otro accesorio no especificado en este manual puede constituir un peligro.

\* Hoja (P/N 1600A004SC)

(\* = equipo estándar)

\* Llave (P/N 1619X03633)

(\*\* = accesorios opcionales)

\*\* Tope-guia para cortar al hilo (P/N 2610914629)

## Resolución de problemas

### ADVERTENCIA

Lea primero el manual de instrucciones! Saque el enchufe de la fuente de energía antes de hacer ajustes o ensamblar la hoja.

<b>PROBLEMA</b>	<p><b>AVERÍA: LA SIERRA NO ARRANCA</b></p> <ol style="list-style-type: none"> <li>1. El cordón de energía no está enchufado.</li> <li>2. El fusible o el cortacircuitos de la fuente de energía ha saltado.</li> <li>3. El cordón está dañado.</li> <li>4. El interruptor está quemado.</li> <li>5. El gatillo no enciende la herramienta.</li> </ol>
<b>REMEDIO</b>	<ol style="list-style-type: none"> <li>1. Enchufe la sierra.</li> <li>2. Reemplace el fusible o reajuste el cortacircuitos que ha saltado.</li> <li>3. Inspeccione el cordón para comprobar si está dañado. Si está dañado, haga que sea reemplazado por un Centro de Servicio Skil Autorizado o una Estación de Servicio Skil Autorizada.</li> <li>4. Haga que el interruptor sea reemplazado por un Centro de Servicio Skil Autorizado o una Estación de Servicio Skil Autorizada.</li> <li>5. Haga que el interruptor sea reemplazado por un Centro de Servicio Skil Autorizado o una Estación de Servicio Skil Autorizada.</li> </ol>
<b>PROBLEMA</b>	<p><b>AVERÍA: LA HOJA NO ALCANZA TODA SU VELOCIDAD</b></p> <ol style="list-style-type: none"> <li>1. El cordón de extensión es demasiado ligero o demasiado largo.</li> <li>2. El voltaje de la red doméstica es bajo.</li> </ol>
<b>REMEDIO</b>	<ol style="list-style-type: none"> <li>1. Reemplace el cordón de extensión con un cordón adecuado.</li> <li>2. Contacte a la compañía eléctrica.</li> </ol>
<b>PROBLEMA</b>	<p><b>AVERÍA: VIBRACIÓN EXCESIVA</b></p> <ol style="list-style-type: none"> <li>1. La hoja está desequilibrada.</li> <li>2. La pieza de trabajo no está sujeta con abrazaderas o soportada apropiadamente.</li> </ol>
<b>REMEDIO</b>	<ol style="list-style-type: none"> <li>1. Deseche la hoja y use una hoja diferente.</li> <li>2. Sujete con abrazaderas o soporte la pieza de trabajo de la manera que se muestra en las páginas 38 y 40.</li> </ol>
<b>PROBLEMA</b>	<p><b>AVERÍA: NO SE PUEDE HACER UN CORTE EN ÁNGULO RECTO AL CORTAR TRANSVERSALMENTE</b></p> <ol style="list-style-type: none"> <li>1. La base no está ajustada adecuadamente.</li> </ol>
<b>REMEDIO</b>	<ol style="list-style-type: none"> <li>1. Consulte la sección "Instrucciones de funcionamiento", "Ajuste de inclinación" (página 38), "Guía de línea" (página 39), "Corte de planchas grandes" (página 40) y "Cortes al hilo" (página 41).</li> </ol>
<b>PROBLEMA</b>	<p><b>AVERÍA: EL CORTE SE ATORA, QUEMA O DETIENE EL MOTOR AL CORTAR AL HILO</b></p> <ol style="list-style-type: none"> <li>1. La hoja está desafilada y tiene un triscado inadecuado de los dientes.</li> <li>2. La tabla está combada.</li> <li>3. La hoja se atora.</li> <li>4. Soporte inapropiado de la pieza de trabajo.</li> </ol>
<b>REMEDIO</b>	<ol style="list-style-type: none"> <li>1. Deseche la hoja y use una hoja diferente.</li> <li>2. Asegúrese de que el lado cóncavo o ahuecado esté orientado "HACIA ABAJO" y haga avanzar lentamente, consulte la página 40.</li> <li>3. Ensamble la hoja y apriete el embrague Vari-Torque siguiendo las "Instrucciones de ensamblaje", consulte la página 37.</li> <li>4. Sujete con abrazaderas o soporte la pieza de trabajo de la manera que se muestra en las páginas 38 y 40.</li> </ol>
<b>PROBLEMA</b>	<p><b>AVERÍA: LA HOJA RESBALA</b></p> <ol style="list-style-type: none"> <li>1. La herramienta no corta la pieza de trabajo.</li> </ol>
<b>REMEDIO</b>	<ol style="list-style-type: none"> <li>1. Ensamble la hoja y apriete el embrague Vari-Torque de acuerdo con las "Instrucciones de ensamblaje", consulte la página 37.</li> </ol>



**LIMITED WARRANTY OF SKILSAW® PROFESSIONAL PORTABLE AND PROFESSIONAL BENCHTOP POWER TOOLS  
DESIGNATED WITH A MODEL NUMBER BEGINNING WITH SPT**

Chervon North America ("Seller") warrants to the original purchaser only, that all SKILSAW professional portable and benchtop power tools designated with a model number beginning with SPT, will be free from defects in material or workmanship for a period of one year from date of purchase.

SELLER'S SOLE OBLIGATION AND YOUR EXCLUSIVE REMEDY under this Limited Warranty and, to the extent permitted by law, any warranty or condition implied by law, shall be the repair or replacement of parts, without charge, which are defective in material or workmanship and which have not been misused, abused, or repaired by persons other than Seller or Authorized Service Center. To make a claim under this Limited Warranty, you must return the complete product, transportation prepaid, to any SKIL® Factory Service Center or Authorized Service Center. For Authorized SKIL Power Tool Service Centers, please visit [www.skilsaw.com](http://www.skilsaw.com) or call 1-877-SKIL-999 (1-877-754-5999)

In addition to the limited warranty above, SKILSAW professional portable and benchtop power tools designated with a model number beginning with SPT are covered by our 180-Day STAY TRUE® Guarantee. The original purchaser may return any eligible SKILSAW professional portable and benchtop power tool for any reason to the original place of purchase, within 180 days from the date of purchase for a full refund. The Original purchaser must retain the receipt as proof of purchase. Reconditioned tools ARE NOT eligible for our STAY TRUE GUARANTEE.

**GARANTIE LIMITÉE D'OUTILS ÉLECTRIQUES PROFESSIONNELS PORTATIFS ET PROFESSIONNELS DE TABLE SKILSAW®  
CONÇUS AVEC UN NUMÉRO DE MODÈLE COMMENÇANT PAR SPT**

Chervon North America (« Vendeur ») garantit à l'acheteur original seulement que tous les outils électriques professionnels portatifs et de table SKILSAW conçus avec un numéro de modèle commençant par SPT ne comporteront aucun défaut de matériau ou vice de fabrication pendant une période d'un an à compter de la date de leur achat.

LA SEULE OBLIGATION DU VENDEUR ET VOTRE REMÈDE EXCLUSIF en vertu de la présente Garantie limitée et, dans la mesure autorisée par la loi, de toute garantie ou condition s'appliquant de plein droit, sera la réparation ou le remplacement sans frais des pièces affectées d'un défaut de matériau ou d'un vice de fabrication, à condition qu'elles n'aient pas été utilisées de façon inappropriée ou abusivement, et qu'elles n'aient pas été réparées par des personnes autres que le Vendeur ou un Centre de service après-vente agréé. Pour vous prévaloir de la présente Garantie limitée, vous devez retourner le produit complet, en port payé, à un centre de service usine SKIL® ou à un centre de service après-vente agréé. Pour trouver les centres de service après-vente agréés de SKIL pour des outils électriques, veuillez vous rendre sur le site [www.skilsaw.com](http://www.skilsaw.com) ou téléphoner au 1-877-SKIL-999 (1-877-754-5999)

En plus de la garantie limitée susmentionnée, les outils électriques professionnels portatifs et de table SKILSAW conçus avec un numéro de modèle commençant par SPT sont couverts par notre garantie de 180 jours STAY TRUE®. L'acheteur original peut retourner à l'endroit où il l'a acheté tout outil électrique professionnel portatif ou de table SKILSAW admissible pour quelque raison que ce soit dans les 180 jours suivant la date de son achat pour obtenir un remboursement intégral. L'acheteur original doit conserver son reçu comme preuve d'achat. Les outils remis en état NE SONT PAS admissibles pour notre GARANTIE STAY TRUE.

**GARANTÍA LIMITADA PARA HERRAMIENTAS ELÉCTRICAS SKILSAW® PROFESIONALES PORTÁTILES Y DE BANCO  
PROFESIONALES DESIGNADAS CON UN NÚMERO DE MODELO QUE COMIENZE CON SPT**

Chervon North America (el "Vendedor") garantiza, únicamente al comprador original, que todas las herramientas eléctricas SKILSAW profesionales portátiles y de banco designadas con un número de modelo que comience con SPT estarán libres de defectos de material o de fabricación durante un período de un año a partir de la fecha de compra.

LA ÚNICA OBLIGACIÓN DEL VENDEDOR Y EL RECURSO EXCLUSIVO QUE USTED TIENE bajo esta Garantía Limitada y, en la medida en que la ley lo permita, bajo cualquier garantía o condición implícita por ley, consistirá en la reparación o el reemplazo sin cargo alguno de las piezas que presenten defectos de material o de fabricación y que no hayan sido utilizadas incorrectamente, sometidas a abuso o reparadas por personas que no sean el Vendedor o un Centro de Servicio Autorizado. Para efectuar un reclamo bajo esta Garantía Limitada, usted debe devolver el producto completo, con el transporte prepago, a cualquier Centro de Servicio de Fábrica SKIL® o Centro de Servicio Autorizado SKIL®. Para localizar Centros de Servicio de Herramientas Eléctricas SKIL Autorizados, sírvase visitar [www.skilsaw.com](http://www.skilsaw.com) o llamar al 1-877-SKIL-999 (1-877-754-5999).

Además de la garantía limitada que antecede, las herramientas eléctricas SKILSAW profesionales portátiles y de banco designadas con un número de modelo que comience con SPT están cubiertas por nuestra garantía STAY TRUE® de 180 días.

El comprador original podrá devolver cualquier herramienta eléctrica SKILSAW profesional portátil y de banco que reúna los requisitos, por cualquier motivo, dentro del plazo de 180 días a partir de la fecha de compra, para recibir un reembolso completo. El comprador original debe retener el recibo como comprobante de compra. Las herramientas reacondicionadas NO REÚNEN los requisitos de nuestra GARANTÍA STAY TRUE.

