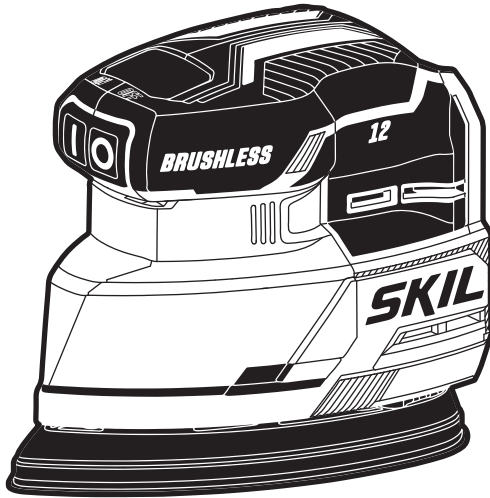


SKIL®

Owner's Manual
Guide d'utilisation
Manual del propietario



Model/ Modelo/ Modèle: SR6608A-00

PWRCORE 12™

12V Brushless Detail Sander

Ponceuse de finition sans balais de 12 V

Lijadora de detalles de 12 V sin escobillas

⚠ WARNING: To reduce the risk of injury, the user must read and understand the Owner's Manual before using this product. Save these instructions for future reference.

⚠ AVERTISSEMENT : Afin de réduire les risques de blessure, l'utilisateur doit lire et comprendre le guide d'utilisation avant d'utiliser cet article. Conservez le présent guide afin de pouvoir le consulter ultérieurement.

⚠ ADVERTENCIA : Para reducir el riesgo de lesiones, el usuario debe leer y comprender el Manual del operador antes de utilizar este producto. Guarde estas instrucciones para consultarlas en caso sea necesario.



For Customer Service
Pour le service à la clientèle
Servicio al cliente

1-877-SKIL-999 OR **www.skil.com**

TABLE OF CONTENTS

General Power Tool Safety Warnings	3-5
Safety Rules for Sanders	5
Symbols	6-9
Get to Know Your Detail Sander	10
Specifications	10
Operating Instructions	11-15
Maintenance	16
Troubleshooting	16
Limited Warranty of SKIL Consumer Tools	17

WARNING

- Some dust created by power sanding, sawing, grinding, drilling and other construction activities contains chemicals known to the State of California to cause cancer, birth defects or other reproductive harm. Some examples of these chemicals are:
 - Lead from lead-based paints.
 - Crystalline silica from bricks, cement, and other masonry products.
 - Arsenic and chromium from chemically-treated lumber.
- Your risk from these exposures varies, depending upon how often you do this type of work. To reduce your exposure to these chemicals:
 - Work in a well-ventilated area.
 - Work with approved safety equipment, such as dust masks that are specially designed to filter out microscopic particles.
 - Avoid prolonged contact with dust from power sanding, sawing, grinding, drilling, and other construction activities. Wear protective clothing and wash exposed areas with soap and water. Allowing dust to get into your mouth or eyes or to lie on the skin may promote absorption of harmful chemicals.

GENERAL POWER TOOL SAFETY WARNINGS



Read all safety warnings, instructions, illustrations and specifications provided with this power tool. Failure to follow all instructions listed below may result in electric shock, fire and/or serious injury.

SAVE ALL WARNINGS AND INSTRUCTIONS FOR FUTURE REFERENCE.

The term “power tool” in the warnings refers to your mains-operated (corded) power tool or battery-operated (cordless) power tool.

Work area safety

Keep work area clean and well lit. Cluttered or dark areas invite accidents.

Do not operate power tools in explosive atmospheres, such as in the presence of flammable liquids, gases or dust. Power tools create sparks which may ignite the dust or fumes.

Keep children and bystanders away while operating a power tool. Distractions can cause you to lose control.

Electrical safety

Power tool plugs must match the outlet. Never modify the plug in any way. Do not use any adapter plugs with earthed (grounded) power tools. Unmodified plugs and matching outlets will reduce risk of electric shock.

Avoid body contact with earthed or grounded surfaces, such as pipes, radiators, ranges and refrigerators. There is an increased risk of electric shock if your body is earthed or grounded.

Do not expose power tools to rain or wet conditions. Water entering a power tool will increase the risk of electric shock.

Do not abuse the cord. Never use the cord for carrying, pulling or unplugging the power tool. Keep cord away from heat, oil, sharp edges or moving parts. Damaged or entangled cords increase the risk of electric shock.

When operating a power tool outdoors, use an extension cord suitable for outdoor use. Use of a cord suitable for outdoor use reduces the risk of electric shock.

If operating a power tool in a damp location is unavoidable, use a ground fault circuit interrupter (GFCI) protected supply. Use of a GFCI reduces the risk of electric shock.

Personal safety

Stay alert, watch what you are doing and use common sense when operating a power tool. Do not use a power tool while you are tired or under the influence of drugs, alcohol or medication. A moment of inattention while operating power tools may result in serious personal injury.

Use personal protective equipment. Always wear eye protection. Protective equipment such as dust mask, non-skid safety shoes, hard hat or hearing protection used for appropriate conditions will reduce personal injuries.

Prevent unintentional starting. Ensure the switch is in the off-position before connecting to power source and/or battery pack, picking up or carrying the tool. Carrying power tools with your finger on the switch or energizing power tools that have the switch on invites accidents.

Remove any adjusting key or wrench before turning the power tool on. A wrench or a key left attached to a rotating part of the power tool may result in personal injury.

Do not overreach. Keep proper footing and balance at all times. This enables better control of the power tool in unexpected situations.

Dress properly. Do not wear loose clothing or jewelry. Keep your hair and clothing away from moving parts. Loose clothes, jewelry or long hair can be caught in moving parts.

If devices are provided for the connection of dust extraction and collection facilities, ensure these are connected and properly used. Use of dust collection can reduce dust-related hazards.

Do not let familiarity gained from frequent use of tools allow you to become complacent and ignore tool safety principles. A careless action can cause severe injury within a fraction of a second.

Power tool use and care

Do not force the power tool. Use the correct power tool for your application. The correct power tool will do the job better and safer at the rate for which it was designed.

Do not use the power tool if the switch does not turn it on and off. Any power tool that cannot be controlled with the switch is dangerous and must be repaired.

Disconnect the plug from the power source and/or remove the battery pack, if detachable, from the power tool before making any adjustments, changing accessories, or storing power tools. Such preventive safety measures reduce the risk of starting the power tool accidentally.

Store idle power tools out of the reach of children and do not allow persons unfamiliar with the power tool or these instructions to operate the power tool. Power tools are dangerous in the hands of untrained users.

Maintain power tools and accessories. Check for misalignment or binding of moving parts, breakage of parts and any other condition that may affect the power tool's operation. If damaged, have the power tool repaired before use. Many accidents are caused by poorly maintained power tools.

Keep cutting tools sharp and clean. Properly maintained cutting tools with sharp cutting edges are less likely to bind and are easier to control.

Use the power tool, accessories and tool bits etc. in accordance with these instructions, taking into account the working conditions and the work to be performed. Use of the power tool for operations different from those intended could result in a hazardous situation.

Keep handles and grasping surfaces dry, clean and free from oil and grease. Slippery handles and grasping surfaces do not allow for safe handling and control of the tool in unexpected situations.

Battery tool use and care

Recharge only with the charger specified by the manufacturer. A charger that is suitable for one type of battery pack may create a risk of fire when used with another battery pack.

Use power tools only with specifically designated battery packs. Use of any other battery packs may create a risk of injury and fire.

When battery pack is not in use, keep it away from other metal objects, like paper clips, coins, keys, nails, screws or other small metal objects, that can make a connection from one terminal to another. Shorting the battery terminals together may cause burns or a fire.

Under abusive conditions, liquid may be ejected from the battery; avoid contact. If contact accidentally occurs, flush with water. If liquid contacts eyes, additionally seek medical help. Liquid ejected from the battery may cause irritation or burns.

Do not use a battery pack or tool that is damaged or modified. Damaged or modified batteries may exhibit unpredictable behavior resulting in fire, explosion or risk of injury.

Do not expose a battery pack or tool to fire or excessive temperature. Exposure to fire or temperature above 265°F (130°C) may cause explosion.

Follow all charging Instructions and do not charge the battery pack or tool outside the temperature range specified in the instructions. Charging improperly or at temperatures outside the specified range may damage the battery and increase the risk of fire.

Service

Have your power tool serviced by a qualified repair person using only identical replacement parts. This will ensure that the safety of the power tool is maintained.

Never service damaged battery packs. Service of battery packs should only be performed by the manufacturer or authorized service providers.

SAFETY RULES FOR SANDERS

Use clamps or other practical way to secure and support the workpiece to a stable platform. Holding the work by hand or against your body is unstable and may lead to loss of control.

Your tool is equipped with a dust box – empty it frequently after completion of sanding and before storing the sander. Be extremely careful of dust disposal – materials in fine particle form may be explosive. Do not throw sanding dust on an open fire. Combustion from mixture of varnishes, lacquers, polyurethane, oil, or water with dust particles can occur if there is a static discharge, spark introduced in the box, or excessive heat.

Always wear eye protection and a dust mask for dusty applications and when sanding overhead. Sanding particles can be absorbed by your eyes and inhaled easily and may cause health complications.

Do not wet sand with this sander. Liquids entering the motor housing are an electrical shock hazard.

Do not use sandpaper intended for larger sanding pads. Larger sandpaper will extend beyond the sanding pad causing snagging, tearing of the paper, or kick-back. Extra paper extending beyond the sanding pad can also cause serious lacerations.

Keep handles dry, clean and free from oil and grease. Slippery hands cannot safely control the power tool.





Develop a periodic maintenance schedule for your tool. When cleaning a tool, be careful not to disassemble any portion of the tool since internal wires may be misplaced or pinched. Certain cleaning agents such as gasoline, carbon tetrachloride, ammonia, etc. may damage plastic parts.

SYMBOLS

Safety Symbols

The purpose of safety symbols is to attract your attention to possible dangers. The safety symbols and explanations with them deserve your careful attention and understanding. The symbol warnings do not, by themselves, eliminate any danger. The instructions and warnings they give are no substitutes for proper accident prevention measures.

⚠ WARNING Be sure to read and understand all safety instructions in this Owner's Manual, including all safety alert symbols such as **"DANGER"**, **"WARNING"**, and **"CAUTION"** before using this tool. Failure to following all instructions listed below may result in electric shock, fire, and/or serious personal injury.

The definitions below describe the level of severity for each signal word. Please read the manual and pay attention to these symbols.	
	This is the safety alert symbol. It is used to alert you to potential personal injury hazards. Obey all safety messages that follow this symbol to avoid possible injury or death.
	DANGER indicates a hazardous situation which, if not avoided, will result in death or serious injury.
	WARNING indicates a hazardous situation which, if not avoided, could result in death or serious injury.
	CAUTION, used with the safety alert symbol, indicates a hazardous situation which, if not avoided, will result in minor or moderate injury.

Damage Prevention and Information Messages

These inform the user of important information and/or instructions that could lead to equipment or other property damage if they are not followed. Each message is preceded by the word "NOTICE", as in the example below:



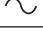

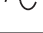




NOTICE: Equipment and/or property damage may result if these instructions are not followed.






⚠ WARNING The operation of any power tools can result in foreign objects being thrown into your eyes, which can result in severe eye damage. Before beginning power tool operation, always wear safety goggles or safety glasses with side shields and a full face shield when needed. We recommend a Wide Vision Safety Mask for use over eyeglasses or standard safety glasses with side shields. Always use eye protection which is marked to comply with ANSI Z87.1.

SYMBOLS (CONTINUED)







IMPORTANT: Some of the following symbols may be used on your tool. Please study them and learn their meaning. Proper interpretation of these symbols will allow you to operate the tool better and more safely.

Symbol	Name	Designation/Explanation
V	Volts	Voltage (potential)
A	Amperes	Current
Hz	Hertz	Frequency (cycles per second)
W	Watt	Power
kg	Kilograms	Weight
min	Minutes	Time
s	Seconds	Time
Wh	Watt-hours	Battery capacity
Ah	Ampere-hours	Battery capacity
∅	Diameter	Size of drill bits, grinding wheels, etc.
n_0	No load speed	Rotational speed, at no load
n	Rated speed	Maximum attainable speed
.../min	Revolutions or reciprocations per minute (rpm)	Revolutions, strokes, surface speed, orbits, etc. per minute
O	Off position	Zero speed, zero torque...
1,2,3,... I,II,III,	Selector settings	Speed, torque, or position settings. Higher number means greater speed
	Infinitely variable selector with off	Speed is increasing from 0 setting
	Arrow	Action in the direction of arrow
	Alternating current (AC)	Type or a characteristic of current
	Direct current (DC)	Type or a characteristic of current
	Alternating or direct current (AC / DC)	Type or a characteristic of current
	Class II tool	Designates Double Insulated Construction tools.
	Protective earth	Grounding terminal
	Li-ion RBRC seal	Designates Li-ion battery recycling program
	Read the instructions	Alerts user to read manual

Symbol	Name	Designation/Explanation
	Wear eye protection symbol	Alerts user to wear eye protection
	Always operate with two hands	Alerts user to always operate with two hands
	Do not use the guard for cut-off operations	Alerts user not to use the guard for cut-off operations

SYMBOLS (CERTIFICATION INFORMATION)

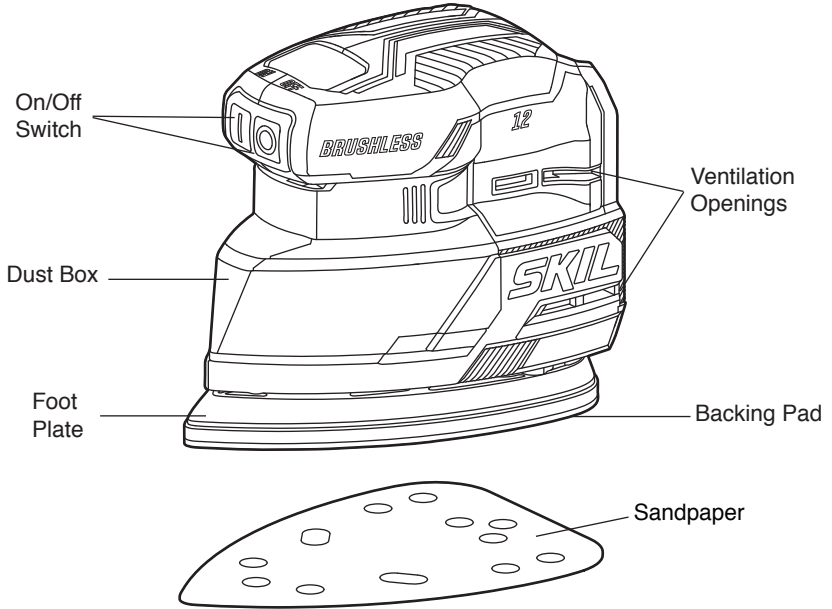
IMPORTANT: Some of the following symbols for certification information may be used on your tool. Please study them and learn their meaning. Proper interpretation of these symbols will allow you to operate the tool better and more safely.

Symbol	Designation/Explanation
	This symbol designates that this tool is listed by Underwriters Laboratories.
	This symbol designates that this component is recognized by Underwriters Laboratories.
	This symbol designates that this tool is listed by Underwriters Laboratories, to United States and Canadian Standards.
	This symbol designates that this tool is listed by the Canadian Standards Association.
	This symbol designates that this tool is listed by the Canadian Standards Association, to United States and Canadian Standards.
	This symbol designates that this tool is listed by the Intertek Testing Services, to United States and Canadian Standards.

GET TO KNOW YOUR DETAIL SANDER

12V Brushless Detail Sander

Fig. 1



SPECIFICATIONS

General	
Rated Voltage	12V d.c.
No-load Speed	12,000 OPM
Plate Size	5-1/4 inch x 3-11/16 inch (133 mm x 93 mm)
Orbit Diameter	1/16 inch (1.6 mm)
Recommended Operating Temperature	14 – 104 °F (-10 – 40 °C)
Recommended Storage Temperature	32 – 104 °F (0 – 40 °C)

OPERATING INSTRUCTIONS

⚠ WARNING To reduce the risk of fire, personal injury, and product damage due to a short circuit, never immerse your tool, battery pack, or charger in fluid or allow a fluid to flow inside them. Corrosive or conductive fluids, such as seawater, certain industrial chemicals, and bleach or bleach-containing products, etc. can cause a short circuit.

⚠ WARNING If any parts are damaged or missing, do not operate this product until the parts are replaced. Use of this product with damaged or missing parts could result in serious personal injury.

⚠ WARNING Do not attempt to modify this tool or create accessories not recommended for use with this tool. Any such alteration or modification is misuse and could result in a hazardous condition leading to possible serious injury.

⚠ WARNING To prevent accidental starting that could cause serious personal injury, always remove the battery pack from the tool when assembling parts.

This brushless detail sander must be used only with the battery packs and chargers listed below:

Battery Pack		Charger
2Ah	4Ah	
SKIL BY500101 SKIL BY519901	SKIL BY519801	SKIL QC535701 SKIL SC536501

NOTICE: Please refer to the battery pack and charger manuals for detailed operating information.

To Attach/Detach Battery Pack

⚠ WARNING Always switch off the tool before attaching or detaching the battery pack.

To attach the battery pack: Align the raised rib on the battery pack with the grooves on the tool, and then slide the battery pack onto the tool (Fig. 2).

NOTICE: When placing the battery pack on the tool, be sure that the raised rib on the battery pack aligns with the groove inside the tool and that the latches snap into place properly. Improper attachment of the battery pack can cause damage to internal components.

To detach the battery pack: Depress the battery-release button, located on the front of the battery pack, to release the battery pack. Pull the battery pack out and remove it from the tool (Fig. 3).

Fig. 2

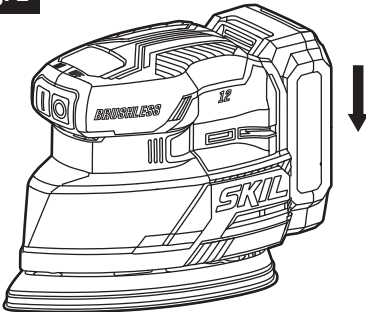
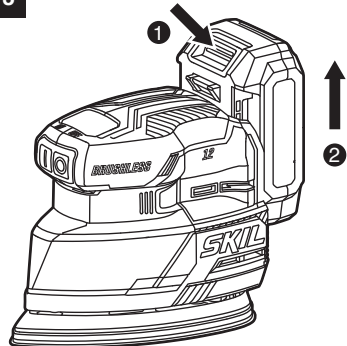


Fig. 3

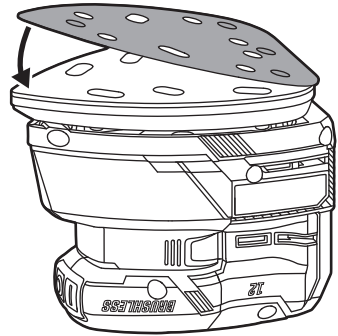


Attaching Sandpaper

Your sander uses hook-and-loop backed sandpaper, which firmly grips to the backing pad when applied with moderate pressure.

To change sandpaper, peel off the old sheet, remove any dust from the backing pad, and press the new sandpaper in place. Be sure to align the holes in sandpaper with the holes in the backing pad to allow the dust extraction system to function properly (Fig. 4).

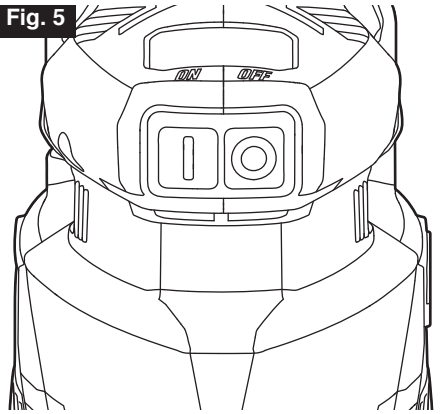
Fig. 4



Turning the Sander On/Off

To turn on the sander, depress the side of the On/Off switch marked "I". To turn it off, depress the side of the On/Off switch marked "O" (Fig. 5).

Fig. 5



Microfilter Dust Box

The integrated dust extraction system collects sanding dust in the box supplied with your sander. For maximum efficiency, the dust box should be emptied frequently during operation.

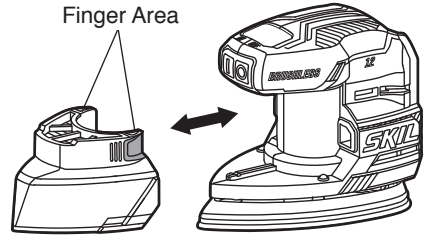
⚠ WARNING Empty the dust box frequently during use, after completion of sanding, and before storing the sander. Be extremely careful of dust disposal – materials in fine particle form may be explosive. Do not throw sanding dust on an open fire. Combustion from mixture of varnishes, lacquers, polyurethane, oil, or water with dust particles can occur if there is a static discharge, spark introduced in the box, or excessive heat.

Installing and Removing Dust Box

To install the microfilter dust box, align the slot on the dust box with the rib on the tool, and then push the dust box onto the tool until it locks into place (Fig. 6).

To remove the dust box, grip the finger area of the dust box to pull it away from the tool.

Fig. 6



Emptying and Cleaning the Dust Box

1. Remove the dust box from the tool.
2. **To empty the dust frequently during use**, hold the dust box in such a way that the dust inlets face down (Fig. 7a). Gently knock the dust out of the dust box. You may notice that not all the dust has come out of the box. This will not affect sanding performance but will reduce dust-collection efficiency.

To clean the dust box completely after finishing a sanding project, grab the finger area of the bottom cover of the dust box to pull the cover away from the dust box (Fig. 7b). Knock the dust out of the dust box or remove the dust with your fingers or a soft brush (not included).

NOTICE: Do not wash the micro filter with soap and water. Dust may become more firmly lodged in the pores, which will damage the micro filter and reduce dust collection efficiency.

Fig. 7a

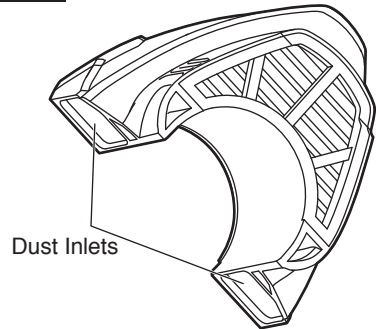
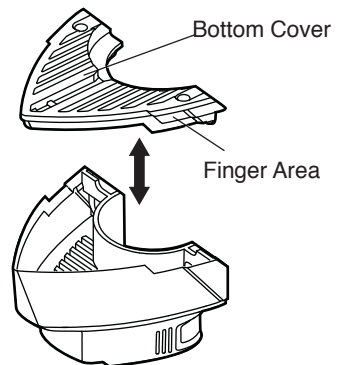


Fig. 7b



Sanding Tips

This tool is particularly suitable for one-handed operation and access to corners and edges that are otherwise difficult to reach and would require hand sanding.

Always be certain that smaller workpieces are securely fastened to a bench or other support. Larger panels may be held in place by hand on a bench or sawhorses.

SANDING: Open-coat aluminum oxide sanding sheets are recommended for most wood or metal sanding applications, as this synthetic material cuts quickly and wears well. Some applications, such as material finishing or cleaning, require special abrasive pads that are available from your dealer. For best results, use sanding and polishing accessories that are of superior quality and are carefully selected to produce professional quality results with your sander.

The following suggestions may be used as a general guide for sandpaper selection, but the best results will be obtained by sanding a test sample of the workpiece first.

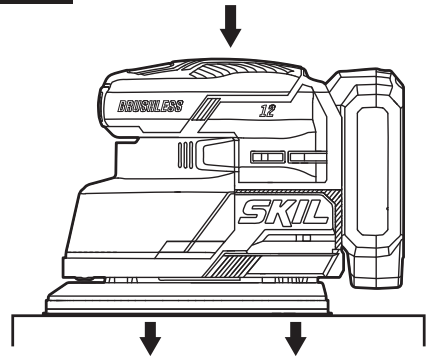
Grit	Application
Coarse	For rough wood or metal sanding, and rust or old finish removal.
Medium	For general wood or metal sanding.
Fine	For final finishing of wood, metal, plaster, and other surfaces.
Extra fine	For final sanding of bare wood, smoothing old paint, or preparing a finished surface for recoating.

With the workpiece firmly secured, turn the tool on as described earlier. Contact the workpiece with the tool only after the sander has reached its full speed and remove it from the workpiece before switching the tool off. Operating your sander in this manner will prolong switch and motor life, and greatly increase the quality of your work.

Move the sander in long steady strokes parallel to the grain, using some lateral motion to overlap the strokes by as much as 75%. DO NOT apply excessive pressure – let the tool do the work. Excessive pressure will result in poor handling, vibration, and unwanted sanding marks (Fig. 8).

If the surface is rough, begin with coarser grit sandpaper and then complete the surfacing with medium and fine grit. To avoid uneven results, do not skip more than one grit size when going from coarser to finer, and do not sand in one area for too long. When the job is completed, gently lift the tool from the work surface and turn the tool off.

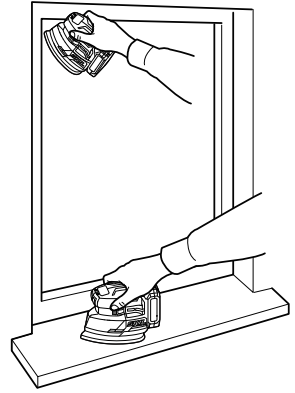
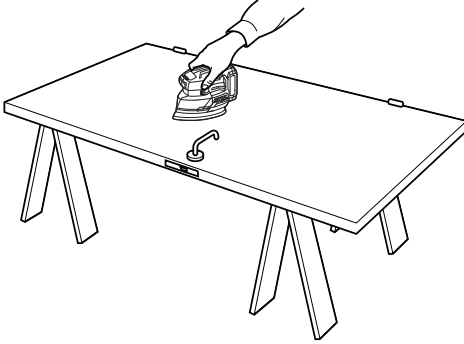
Fig. 8



Application Tips

Use the tool for sanding large work surfaces, corners, and edges (Fig. 9).

Fig. 9



MAINTENANCE

⚠ WARNING To avoid serious personal injury, always remove the battery pack from the tool when cleaning or performing any maintenance.

Service

⚠ WARNING Preventive maintenance performed by unauthorized personnel may result in misplacing of internal wires and components which could cause a serious hazard. We recommend that all tool service be performed by a SKIL Factory Service Center or Authorized SKIL Service Station.

General Maintenance

⚠ WARNING When servicing, use only identical replacement parts. Use of any other parts could create a hazard or cause product damage.

Periodically inspect the entire product for damaged, missing, or loose parts such as screws, nuts, bolts, caps, etc. Tighten securely all fasteners and caps and do not operate this product until all missing or damaged parts are replaced. Please contact customer service an authorized service center for assistance.

Cleaning

⚠ WARNING The tool may be cleaned most effectively with compressed dry air. Always wear safety goggles when cleaning tools with compressed air.

Ventilation openings and switch levers must be kept clean and free of foreign matter. Do not attempt to clean by inserting pointed objected through openings.

⚠ WARNING Certain cleaning agents and solvents damage plastic parts. Some of these are: gasoline, carbon tetrachloride, chlorinated cleaning solvents, ammonia and household detergents that contain ammonia.

Storage

Store the tool indoors in a place that is inaccessible to children. Keep away from corrosive agents.

TROUBLESHOOTING

Problem	Cause	Remedy
Tool will not start.	<ol style="list-style-type: none">1. Battery pack is depleted.2. Tool is over-loaded.3. Battery pack is too hot.4. Battery pack is not installed properly.	<ol style="list-style-type: none">1. Charge the battery pack.2. Turn off the tool and then try again.3. Turn off the tool and allow the battery pack to cool under air flow.4. Confirm that the battery pack is locked and secured to the tool.

LIMITED WARRANTY OF SKIL CONSUMER TOOLS

5 YEAR LIMITED WARRANTY - LEGAL

Chervon North America, Inc. ("Seller") warrants to the original purchaser only, that all SKIL consumer TOOLS will be free from defects in material or workmanship for a period of five years from date of purchase, if original purchaser registers the product within 30 days from purchase. BATTERIES AND CHARGERS are warranted for 2 years. Product registration can be completed online at www.Registermyskil.com. Original purchasers should also retain their receipt as proof of purchase. THE FIVE-YEAR WARRANTY PERIOD FOR TOOLS IS CONDITIONED ON REGISTRATION OF THE PRODUCT WITHIN 30 DAYS OF PURCHASE.

If original purchasers do not register their product within 30 days of purchase, the foregoing limited warranty will apply for a duration of three years for tools. All batteries and chargers will remain under the two-year limited warranty.

Notwithstanding the foregoing, if a SKIL consumer tool is used for industrial, professional, or commercial purposes, the foregoing warranty will apply for a duration of ninety days, regardless of registration.

SELLER'S SOLE OBLIGATION AND YOUR EXCLUSIVE REMEDY under this Limited Warranty and, to the extent permitted by law, any warranty or condition implied by law, shall be the repair or replacement of parts, without charge, which are defective in material or workmanship and which have not been misused, carelessly handled, or repaired by persons other than Seller or Authorized Service Station. To make a claim under this Limited Warranty, you must return the complete product, transportation prepaid, to any SKIL Factory Service Center or Authorized Service Station. For Authorized SKIL Power Tool Service Stations, please visit www.Registermyskil.com or call 1-877-SKIL-999 (1-877-754-5999).

THIS WARRANTY DOES NOT COVER ROUTINE MAINTENANCE PARTS AND CONSUMABLES THAT CAN WEAR OUT FROM NORMAL USE WITHIN THE WARRANTY PERIOD, INCLUDING BLADES, TRIMMER HEADS, CHAIN BARS, SAW CHAINS, BELTS, SCRAPER BARS, AND BLOWER NOZZLES.

ANY IMPLIED WARRANTIES APPLICABLE TO A PRODUCT SHALL BE LIMITED IN DURATION EQUAL TO THE DURATION OF THE EXPRESS WARRANTIES APPLICABLE TO SUCH PRODUCT, AS SET FORTH IN THE FIRST PARAGRAPH ABOVE. SOME STATES IN THE U.S., SOME CANADIAN PROVINCES DO NOT ALLOW LIMITATIONS ON HOW LONG AN IMPLIED WARRANTY LASTS, SO THE ABOVE LIMITATION MAY NOT APPLY TO YOU. THIS WARRANTY DOES NOT COVER THE DAMAGE RESULTING FROM MODIFICATION, ALTERATION, OR UNAUTHORIZED REPAIR.

IN NO EVENT SHALL SELLER BE LIABLE FOR ANY INCIDENTAL OR CONSEQUENTIAL DAMAGES (INCLUDING BUT NOT LIMITED TO LIABILITY FOR LOSS OF PROFITS) ARISING FROM THE SALE OR USE OF THIS PRODUCT. SOME STATES IN THE U.S. AND SOME CANADIAN PROVINCES DO NOT ALLOW THE EXCLUSION OR LIMITATION OF INCIDENTAL OR CONSEQUENTIAL DAMAGES, SO THE ABOVE LIMITATION OR EXCLUSION MAY NOT APPLY TO YOU.

THIS LIMITED WARRANTY GIVES YOU SPECIFIC LEGAL RIGHTS, AND YOU MAY ALSO HAVE OTHER RIGHTS WHICH VARY FROM STATE TO STATE IN THE U.S., PROVINCE TO PROVINCE IN CANADA AND FROM COUNTRY TO COUNTRY. THIS LIMITED WARRANTY APPLIES ONLY TO PRODUCTS SOLD WITHIN THE UNITED STATES OF AMERICA, CANADA AND THE COMMONWEALTH OF PUERTO RICO. FOR WARRANTY COVERAGE WITHIN OTHER COUNTRIES, CONTACT YOUR LOCAL SKIL DEALER OR IMPORTER.

TABLE DES MATIÈRES

Avertissements de sécurité généraux relatifs aux outils électriques	19-21
Consignes de sécurité pour les ponceuses	22
Symboles	23-26
Familiarisez-vous avec votre ponceuse de finition	27
Spécifications	27
Mode d'emploi	28-32
Entretien	33
Recherche de la cause des problèmes	34
Garantie limitée de l'outil SKIL	35

⚠ AVERTISSEMENT

- La poussière créée pendant le ponçage, le sciage, le polissage, le perçage et d'autres activités liées à la construction peut contenir des produits chimiques reconnus par l'État de la Californie comme étant la cause de cancer, d'anomalies congénitales et d'autres problèmes liés aux fonctions reproductrices. Voici des exemples de ces produits chimiques :
 - Du plomb provenant de peintures à base de plomb;
 - de la silice cristalline provenant de la brique, du ciment ou d'autres matériaux de maçonneries;
 - De l'arsenic et du chrome provenant du bois d'œuvre traité avec un produit chimique.
- Les risques liés à l'exposition à ces produits varient selon le nombre de fois où vous pratiquez ces activités. Pour réduire votre exposition à ces produits chimiques :
 - Travaillez dans un endroit bien ventilé;
 - Munissez-vous de l'équipement de sécurité approuvé tel que des masques antipoussières conçus spécialement pour filtrer les particules microscopiques;
 - Évitez l'exposition prolongée à la poussière causée par le ponçage mécanique, le sciage, le polissage, le perçage et d'autres activités liées à la construction; Portez un équipement de protection et lavez à l'eau et au savon toutes les parties exposées. Les poussières pénétrant dans votre bouche ou dans vos yeux et les poussières se déposant sur votre peau peuvent causer l'absorption de produits chimiques dangereux.

AVERTISSEMENTS DE SÉCURITÉ GÉNÉRAUX RELATIFS AUX OUTILS ÉLECTRIQUES

⚠ AVERTISSEMENT Lisez tous les avertissements et toutes les instructions, illustrations et spécifications fournis avec cet outil électrique. Le non-respect des consignes de sécurité ci-dessous peut occasionner un choc électrique, un incendie ou des blessures graves.

CONSERVEZ TOUS LES AVERTISSEMENTS ET LES INSTRUCTIONS AFIN DE POUVOIR VOUS Y RÉFÉRER ULTÉRIEUREMENT.

L'expression « outil électrique » utilisée dans les avertissements correspond aux outils électriques alimentés sur secteur (à fil) ou alimentés par piles (sans fil).

Mesures de sécurité dans l'aire de travail

Gardez l'aire de travail propre et bien éclairée. Une aire de travail sombre ou en désordre augmente les risques d'accident.

N'utilisez pas d'outils électriques dans un endroit présentant un risque d'explosion, par exemple en présence de liquides, de gaz ou de poussières inflammables. Les outils électriques produisent des étincelles susceptibles d'enflammer ces poussières ou ces vapeurs.

Maintenez les enfants et les observateurs à l'écart lorsque vous manipulez l'outil électrique. Une distraction peut vous faire perdre la maîtrise de l'outil.

Consignes de sécurité relatives à l'électricité

Les fiches des outils électriques doivent correspondre à la prise. Ne modifiez jamais la fiche de quelque façon que ce soit. N'utilisez pas d'adaptateur avec les outils électriques mis à la terre. L'utilisation de fiches non modifiées dans les prises compatibles réduit les risques de choc électrique.

Évitez de toucher à des surfaces mises à la terre, par exemple un tuyau, un radiateur, une cuisinière ou un réfrigérateur. Le contact du corps avec une surface mise à la terre augmente les risques de choc électrique.

N'exposez pas les outils électriques à la pluie ni à tout environnement humide. L'infiltration d'eau dans un outil électrique augmente les risques de choc électrique.

N'utilisez pas le cordon d'alimentation de façon à l'endommager. Ne transportez jamais un outil électrique en le tenant par son cordon et ne tirez jamais sur le cordon pour le débrancher. Tenez le cordon d'alimentation éloigné des sources de chaleur, de l'huile, des objets coupants et des pièces mobiles. Les risques de choc électrique sont plus élevés si le cordon d'alimentation est endommagé ou emmêlé.

Lorsque vous utilisez un outil électrique à l'extérieur, utilisez une rallonge conçue pour être utilisée à l'extérieur. Ce type de rallonge réduit les risques de choc électrique.

Si vous n'avez d'autre choix que d'utiliser un outil électrique dans un endroit humide, utilisez une alimentation protégée par un disjoncteur différentiel. L'utilisation d'un disjoncteur différentiel réduit les risques de choc électrique.

Sécurité personnelle

Soyez vigilant, prêtez attention à ce que vous faites et usez de votre jugement lorsque vous utilisez un outil électrique. N'utilisez pas un outil électrique lorsque vous êtes fatigué ou sous l'effet de drogues, d'alcool ou de médicaments. Un moment d'inattention pendant que vous utilisez des outils électriques peut occasionner des blessures graves.

Utilisez un équipement de protection. Portez toujours des lunettes de sécurité. Le port d'équipement de protection, comme un masque antipoussières, des chaussures de sécurité antidérapantes, un casque de protection et des protecteurs auditifs, lorsque les conditions l'exigent, réduit les risques de blessures.

Évitez tout démarrage involontaire. Assurez-vous que l'interrupteur est sur la position d'arrêt avant de brancher l'outil sur une source d'alimentation ou un bloc-piles, de ramasser l'outil ou de le transporter. Transporter les outils électriques avec le doigt sur la gâchette ou brancher les outils lorsque l'interrupteur est à la position de marche augmente les risques d'accident.

Enlevez toute clé de serrage ou clé à molette avant de mettre l'outil électrique en marche. Une clé de réglage oubliée sur une pièce rotative de l'outil électrique peut occasionner des blessures graves.

Ne vous étirez pas pour étendre votre portée. Gardez une posture sécuritaire et un bon équilibre en tout temps. Cela vous permet de mieux maîtriser l'outil électrique lorsque des situations inattendues se présentent.

Habillez-vous de manière appropriée. Ne portez pas de vêtements amples ni de bijoux. Gardez vos cheveux et vos vêtements loin des pièces mobiles. Les vêtements amples, les bijoux et les cheveux longs risquent de se prendre dans les pièces en mouvement.

Si un dispositif permet de raccorder un dépoussiéreur, assurez-vous que celui-ci est branché et utilisé de manière appropriée. L'emploi d'un dépoussiéreur contribue à réduire les dangers liés à la poussière.

Même si vous connaissez parfaitement ces outils parce que vous les utilisez souvent, soyez vigilant et respectez les principes de sécurité. Il suffit d'être négligent une fraction de seconde pour se blesser gravement.

Utilisation et entretien d'un outil électrique

Ne forcez pas l'outil électrique. Utilisez l'outil électrique approprié à la tâche que vous souhaitez accomplir. L'outil électrique adéquat vous permettra de mieux accomplir le travail avec plus de sécurité et au rythme pour lequel il a été conçu.

N'utilisez pas l'outil électrique si l'interrupteur ne permet pas de le mettre en marche et de l'arrêter. Tout outil qui ne peut pas être contrôlé par l'interrupteur est dangereux et doit être réparé.

Débranchez la fiche de la prise ou retirez, si possible, le bloc-piles de l'outil électrique avant d'effectuer des réglages, de changer d'accessoire ou de le ranger. De telles mesures de sécurité préventives réduisent les risques de mise en marche accidentelle de l'outil électrique.

Rangez l'outil électrique à l'arrêt hors de la portée des enfants et n'autorisez pas une personne ne sachant pas s'en servir ou n'ayant pas lu ces instructions à l'utiliser. Les outils électriques sont dangereux s'ils se retrouvent entre les mains d'utilisateurs qui ne savent pas s'en servir.

Entretenez les outils électriques et les accessoires. Vérifiez les pièces mobiles pour vous assurer qu'elles ne sont pas désalignées, enrayées, brisées, ou dans un état qui pourrait nuire à leur fonctionnement. Si l'outil électrique est endommagé, faites-le réparer avant de l'utiliser. De nombreux accidents sont provoqués par des outils électriques mal entretenus.

Maintenez les outils de découpe affûtés et propres. Des outils tranchants bien entretenus et dont les lames sont affûtées risquent moins de se bloquer et sont plus faciles à maîtriser.

Utilisez l'outil électrique, les accessoires, les embouts et les autres éléments conformément aux présentes instructions, en tenant compte des conditions de travail et du travail à effectuer. L'utilisation de l'outil électrique à des fins autres que celles pour lesquelles il a été conçu pourrait entraîner une situation dangereuse.

Les poignées et autres surfaces de préhension doivent toujours être sèches, propres et exemptes d'huile ou de graisse. Les poignées et autres surfaces de préhension glissantes ne permettent pas de manipuler ni de contrôler l'outil de façon sécuritaire en cas de situations inattendues.

Utilisation et entretien d'un outil alimenté par un bloc-piles

Rechargez uniquement le bloc-piles au moyen du chargeur approuvé par le fabricant.

Un chargeur conçu pour un type de bloc-piles peut causer un incendie s'il est utilisé avec un autre bloc-piles.

Utilisez les outils électriques uniquement avec les blocs-piles désignés. L'utilisation de tout autre bloc-piles peut constituer un risque de blessure et d'incendie.

Lorsque vous n'utilisez pas le bloc-piles, conservez-le à l'écart d'autres objets métalliques, comme des trombones, des pièces de monnaie, des clés, des clous, des vis et d'autres petits objets métalliques qui peuvent connecter une borne à une autre.

Un court-circuit entre les bornes du bloc-piles pourrait causer des brûlures ou un incendie.

Dans de mauvaises conditions, un liquide peut être éjecté du bloc-piles; évitez tout contact avec celui-ci. En cas de contact accidentel, rincez à grande eau. En cas de contact avec les yeux, consultez un médecin. Le liquide provenant des piles peut causer de l'irritation ou des brûlures.

N'utilisez pas un bloc-piles ou un outil endommagé ou modifié. Les blocs-piles modifiés ou endommagés peuvent fonctionner de façon imprévisible et présenter un risque d'incendie, d'explosion ou de blessures.

N'exposez pas un bloc-piles ou un outil à un feu ou à une température excessive.

L'exposition au feu ou à une température supérieure à 129,4 °C peut provoquer une explosion.

Suivez toutes les instructions pour le chargement et ne chargez pas le bloc-piles ou l'appareil en dehors de la plage de température spécifiée dans les instructions.

Une recharge inadéquate ou effectuée à des températures en dehors de la plage spécifiée peut endommager le bloc-piles et augmenter le risque d'incendie.

Entretien

Demandez à un technicien qualifié qui utilise seulement des pièces de rechange identiques aux pièces d'origine d'effectuer l'entretien de votre outil électrique. Vous vous assurez ainsi de respecter les consignes de sécurité de l'outil électrique.

Ne réparez jamais un bloc-piles endommagé. Seuls le fabricant et les fournisseurs de services autorisés peuvent effectuer la réparation d'un bloc-piles.

CONSIGNES DE SÉCURITÉ POUR LES PONCEUSES

Utilisez des brides de fixation ou un autre moyen pratique de sécuriser et de supporter l'ouvrage sur une plateforme stable. Si vous tenez l'ouvrage dans vos mains ou contre votre corps, ceci le rendra instable et pourrait causer une perte de contrôle.

Votre outil est équipé d'un sac à poussière – videz-le fréquemment après avoir terminé le ponçage et avant de ranger la ponceuse. Faites preuve d'une prudence extrême quand vous jetez de la poussière étant donné que les matières sous forme de fines particules peuvent être explosives. Ne jetez pas de poussière dans un feu ouvert. La combustion d'un mélange de vernis, de laques, de polyuréthane, d'huile ou d'eau avec des particules de poussière peut se produire en cas de décharge statique, d'étincelle électrique introduite dans le sac ou de chaleur excessive.

Portez toujours des lunettes de protection et un masque de protection contre la poussière pour les applications poussiéreuses et lorsque vous poncez en hauteur. Les particules de ponçage peuvent être absorbées par les yeux et inhalées facilement, et elles peuvent donc entraîner des complications pour la santé.

Ne poncez pas à l'eau avec cette ponceuse. Les liquides qui pénètrent dans le boîtier du moteur constituent un risque de choc électrique.

N'utilisez pas du papier abrasif conçu pour des patins de ponçage de plus grande taille. Un papier abrasif de plus grande taille débordera au-delà du patin de ponçage, ce qui causera des accrochages, le déchirement du papier ou même un choc en retour. Le fait que du papier déborde au-delà du patin de ponçage peut également causer des lacérations importantes.

Gardez les poignées propres, sèches et exemptes de toute trace d'huile ou de graisse. Des mains graisseuses ne permettent pas de contrôler un outil électrique en toute sécurité.





Préparez un calendrier d'entretien périodique pour votre outil. Lors du nettoyage d'un outil, veillez à ne pas démonter une partie quelconque de l'outil étant donné que des fils internes pourraient avoir été déplacés ou pincés. Certains produits de nettoyage tels que l'essence, le tétrachlorure de carbone, l'ammoniac, etc. peuvent endommager les pièces en plastique.

SYMBOLES

Symboles de sécurité

L'objectif des symboles de sécurité est d'attirer votre attention sur les dangers potentiels. Vous devez examiner attentivement et bien comprendre les symboles de sécurité et les explications qui les accompagnent. Les symboles d'avertissement en tant que tels n'éliminent pas le danger. Les consignes et les avertissements qui y sont associés ne remplacent en aucun cas les mesures préventives adéquates.

⚠ AVERTISSEMENT Assurez-vous de lire et de comprendre toutes les consignes de sécurité présentées dans le présent guide d'utilisation, notamment toutes les consignes de sécurité indiquées par « **DANGER** », « **AVERTISSEMENT** » et « **MISE EN GARDE** » avant d'utiliser cet outil. Le fait de ne pas respecter toutes les consignes de sécurité ci-dessous peut causer un choc électrique, un incendie ou des blessures graves.

Les définitions ci-dessous décrivent le degré de gravité pour chaque mot-indicateur. Veuillez lire ce guide et prêter attention à ces symboles.	
	Voici le pictogramme d'alerte de sécurité. Il sert à vous indiquer les risques potentiels de blessures. Respectez toutes les consignes de sécurité associées à ce pictogramme pour éviter les risques de blessures ou de mort.
	DANGER indique un danger imminent qui, s'il n'est pas évité, causera des blessures graves ou la mort.
	AVERTISSEMENT indique un risque pouvant entraîner des blessures graves ou la mort s'il n'est pas prévenu.
	MISE EN GARDE, utilisée avec le symbole d'alerte de sécurité, indique un risque potentiel qui, s'il n'est pas éliminé, provoquera des blessures mineures ou moyennement graves.

Messages d'information et de prévention des dommages

Ces messages contiennent des renseignements importants à l'intention de l'utilisateur ainsi que des consignes à respecter. Le non-respect de celles-ci peut occasionner des dommages à l'équipement ou d'autres dommages matériels. Chaque message est précédé du mot « **AVIS** », comme dans l'exemple ci-dessous :



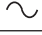






AVIS : Ne pas suivre ces consignes pourrait occasionner des dommages à l'équipement ou d'autres dommages matériels.






⚠ AVERTISSEMENT L'utilisation de tout outil électrique peut entraîner la projection de corps étrangers dans les yeux et ainsi causer des lésions oculaires graves. Lorsque vous utilisez un outil électrique, portez toujours des lunettes de sécurité pourvues d'écrans latéraux et d'un écran facial panoramique, au besoin. Nous recommandons le port d'un masque de sécurité panoramique par-dessus les lunettes ou de lunettes de sécurité standard avec écrans latéraux. Portez toujours des protecteurs oculaires conformes à la norme ANSI Z87.1.

SYMBOLES (SUITE)







IMPORTANT: Les symboles suivants peuvent figurer sur votre outil. Familiarisez-vous avec eux et apprenez leur signification. En comprenant ces symboles, vous serez en mesure de faire fonctionner cet outil de façon adéquate et sécuritaire.

Symbole	Nom	Forme au long et explication
V	Volts	Tension
A	Ampères	Courant
Hz	Hertz	Fréquence (cycles par seconde)
W	Watt	Puissance
kg	Kilogrammes	Poids
min	Minutes	Durée
s	Secondes	Durée
Wh	Watheures	Capacité de la pile
Ah	Ampères-heures	Capacité de la pile
∅	Diamètre	Taille des forets, des meules, etc.
n_0	Vitesse à vide	Vitesse de rotation à vide
n	Vitesse nominale	Vitesse maximale atteignable
.../min	Nombre de tours ou mouvements de va-et-vient par minute (tr/min)	Tours, coups, vitesse périphérique, orbites, etc., par minute
O	Position d'arrêt	Vitesse nulle, couple nul...
1,2,3,... I,II,III,	Réglages du sélecteur	Réglages de la vitesse, du couple ou de la position. Plus le nombre est élevé, plus la vitesse est grande.
	Sélecteur à réglage continu avec mode d'arrêt	La vitesse augmente à partir du réglage 0
	Flèche	L'activation se fait dans le sens de la flèche
	Courant alternatif (c.a.)	Type de courant ou caractéristique de courant
	Courant continu (c.c.)	Type de courant ou caractéristique de courant
	Courant alternatif ou continu (c.a./c.c.)	Type de courant ou caractéristique de courant
	Outil de classe II	Désigne les outils de construction à double isolation
	Mise à la terre de protection	Borne de mise à la terre
	Label du programme de recyclage des piles au lithium-ion de la RBRC	Désigne le programme de recyclage des piles au lithium-ion
	Lisez les instructions	Invite l'utilisateur à lire le manuel

Symbole	Nom	Forme au long et explication
	Symbole du port de lunettes de sécurité	Alerte l'utilisateur pour lui demander de porter une protection des yeux.
	Utilisez toujours les deux mains.	Alerte l'utilisateur pour lui demander de toujours tenir l'outil avec les deux mains.
	N'utilisez pas le dispositif de protection pour les opérations de tronçonnage.	Alerte l'utilisateur pour lui demander de ne pas utiliser le dispositif de protection pour les opérations de tronçonnage.

SYMBOLES (RENSEIGNEMENTS EN MATIÈRE D'HOMOLOGATION)

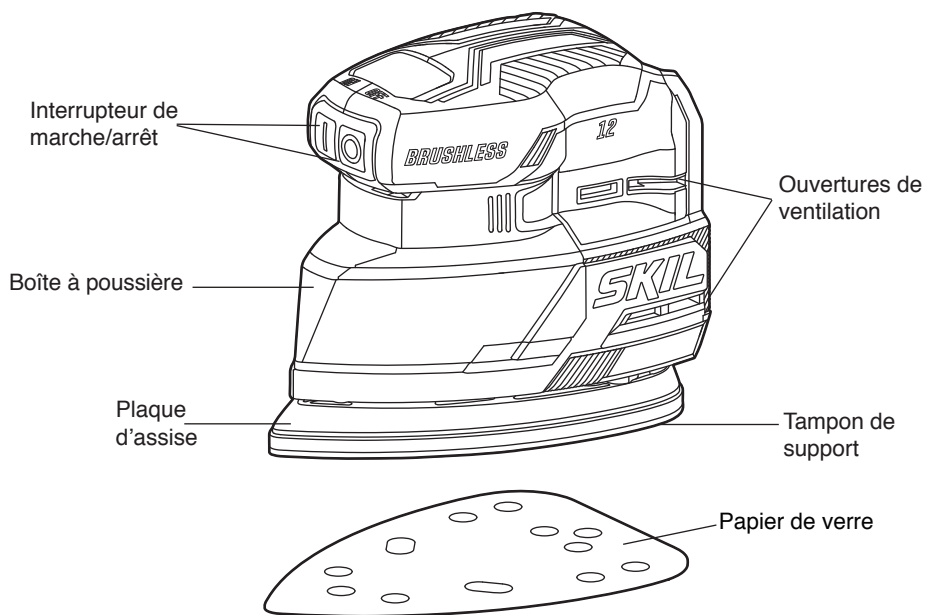
IMPORTANT: Certains des symboles suivants, qui fournissent des renseignements en matière d'homologation, peuvent figurer sur l'outil. Familiarisez-vous avec eux et apprenez leur signification. En comprenant ces symboles, vous serez en mesure de faire fonctionner cet outil de façon adéquate et sécuritaire.

Symbole	Forme au long et explication
	Ce symbole indique que cet outil est répertorié par Underwriters Laboratories.
	Ce symbole indique que ce composant est reconnu par Underwriters Laboratories.
	Ce symbole indique que cet outil est répertorié par Underwriters Laboratories et qu'il est conforme aux normes américaines et canadiennes.
	Ce symbole indique que cet outil est répertorié par l'Association canadienne de normalisation.
	Ce symbole indique que cet outil est répertorié par l'Association canadienne de normalisation et qu'il est conforme aux normes américaines et canadiennes.
	Ce symbole indique que cet outil est répertorié par Intertek Testing et qu'il est conforme aux normes américaines et canadiennes.

FAMILIARISEZ-VOUS AVEC VOTRE PONCEUSE DE FINITION

Ponceuse de finition sans balais de 12 V

Fig. 1



SPÉCIFICATIONS

Généralités	
Tension nominale	12 V c.c.
Vitesse à vide	12,000 OPM
Taille de la plaque	133 mm x 93 mm / 5-1/4 po x 3-11/16 po
Diamètre de l'orbite	1,6 mm / 1/16 po
Température de fonctionnement recommandée	-10 – 40° C / 14 – 104° F
Température de stockage recommandée	0 – 40° C / 32 – 104° F

MODE D'EMPLOI

⚠ AVERTISSEMENT Pour réduire les risques d'incendie, de blessures corporelles et de détérioration de l'outil découlant d'un court-circuit, ne plongez jamais l'outil, le bloc-piles ou le chargeur dans un liquide et ne laissez aucun liquide s'écouler sur ceux-ci. Les liquides corrosifs ou conducteurs, tels que l'eau de mer, certains produits chimiques industriels, l'eau de javel, les produits contenant de l'eau de Javel, etc., peuvent causer un court-circuit.

⚠ AVERTISSEMENT S'il y a des pièces manquantes ou endommagées, ne tentez pas d'utiliser l'article tant que ces pièces n'auront pas été remplacées. L'utilisation de cet article avec des pièces endommagées ou manquantes peut causer des blessures graves.

⚠ AVERTISSEMENT Ne tentez pas de modifier cet outil ou de créer des accessoires qui ne sont pas recommandés pour cet outil. Toute modification est considérée comme un usage inapproprié et peut créer une situation dangereuse susceptible d'entraîner des blessures graves.

⚠ AVERTISSEMENT Pour empêcher une mise en marche accidentelle pouvant causer des blessures graves, retirez toujours le bloc-piles de l'outil avant d'assembler des pièces.

Utilisez cette scie sauteuse sans fil uniquement avec les blocs-piles et les chargeurs indiqués ci-dessous :

Bloc-piles		Chargeur
2Ah	4Ah	
SKIL BY500101 SKIL BY519901	SKIL BY519801	SKIL QC535701 SKIL SC536501

AVIS : Veuillez consulter les manuels relatifs aux blocs-piles et aux chargeurs pour plus de détails sur leur utilisation.

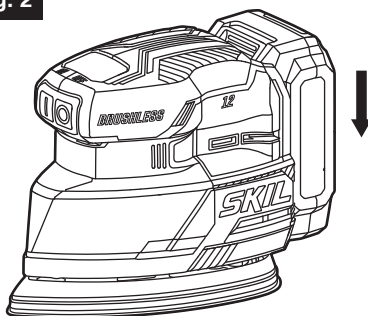
Pour attacher/détacher le bloc-piles

⚠ AVERTISSEMENT Éteignez toujours l'outil avant d'attacher ou de détacher le bloc-piles.

Pour attacher le bloc-piles : Alignez la nervure surélevée du bloc-piles sur les rainures de l'outil, puis faites glisser le bloc-piles sur l'outil (Fig. 2).

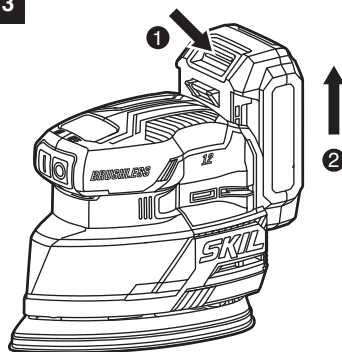
AVIS : Lorsque vous placez le bloc-piles sur l'outil, assurez-vous que la nervure surélevée sur le bloc-piles s'aligne sur la rainure à l'intérieur de l'outil et que les loquets de verrouillage se ferment correctement. Une fixation incorrecte du bloc-piles peut endommager des composants internes.

Fig. 2



Pour détacher le bloc-piles : Appuyez sur le bouton d'éjection du bloc-piles, qui est situé à l'avant du bloc-piles, pour éjecter le bloc-piles. Tirez sur le bloc-piles pour le faire sortir et retirez-le de l'outil (Fig. 3).

Fig. 3

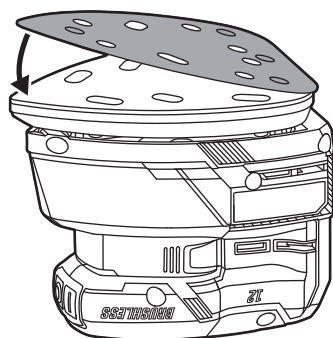


Fixation du papier de verre

Votre ponceuse utilise un papier abrasif sécurisé par une fermeture auto-agrippante qui s'assujettit fermement au tampon de support en cas d'application avec une pression modérée.

Pour remplacer le papier de verre, pelez simplement l'ancienne feuille de papier de verre, retirez la poussière du tampon de support si nécessaire et appuyez sur la nouvelle feuille de papier de verre pour la positionner à sa place. Veillez à aligner les trous du papier de verre sur les trous du tampon de support pour permettre au système d'extraction de la poussière de fonctionner correctement (Fig. 4).

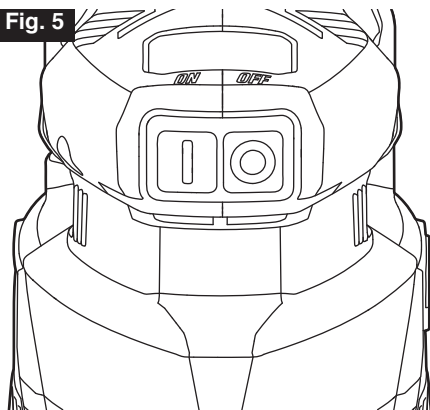
Fig. 4



Mise en marche et arrêt de la ponceuse

Pour mettre la ponceuse en marche, appuyez sur le côté de l'interrupteur de marche/arrêt marqué « I ». Pour l'arrêter, appuyez sur le côté de l'interrupteur de marche/arrêt marqué « O » (Fig. 5).

Fig. 5



Boîte à poussière avec microfiltre **Fig. 6**

Le système intégré d'extraction de la poussière recueille la poussière de ponçage dans la boîte fournie avec votre ponceuse. Pour assurer une efficacité maximale, la boîte à poussière doit être vidée fréquemment pendant le fonctionnement.

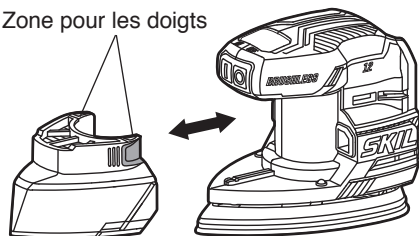
⚠ AVERTISSEMENT Videz fréquemment la boîte à poussière pendant le travail, après avoir fini le travail et avant de ranger la ponceuse. Faites preuve d'une prudence extrême quand vous jetez de la poussière étant donné que les matières sous forme de fines particules peuvent être explosives. Ne jetez pas de poussières produites par le ponçage dans un feu ouvert. La combustion d'un mélange de vernis, de laques, de polyuréthane, d'huile ou d'eau avec des particules de poussière peut se produire en cas de décharge statique, d'étincelle électrique introduite dans la boîte ou de chaleur excessive.

Installation et retrait de la boîte à poussière

Pour installer la boîte à poussière du microfiltre, alignez la fente de la boîte à poussière sur la nervure de l'outil, puis poussez la boîte à poussière sur l'outil jusqu'à ce qu'elle se verrouille en place (Fig. 6).

Pour retirer la boîte à poussière, saisissez la zone pour les doigts de la boîte à poussière et tirez dessus pour l'éloigner de l'outil.

Zone pour les doigts

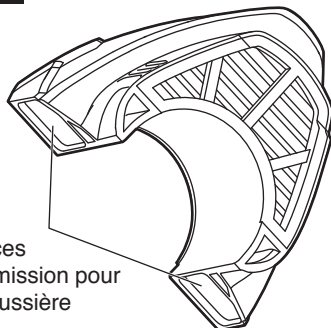


Vidage et nettoyage de la boîte à poussière

Fig. 7a

1. Détachez la boîte à poussière de l'outil.
2. **Pour vider fréquemment la poussière pendant l'utilisation**, tenez la boîte à poussière de manière à ce que les orifices d'admission de poussière soient orientés vers le bas (Fig. 7a). Faites sortir doucement la poussière de la boîte à poussière. Vous constaterez peut-être qu'il reste malgré tout un peu de poussière dans la boîte. Ceci n'affectera pas la performance de la ponceuse, mais la collecte de poussière sera rendue moins efficace.

Orifices d'admission pour la poussière

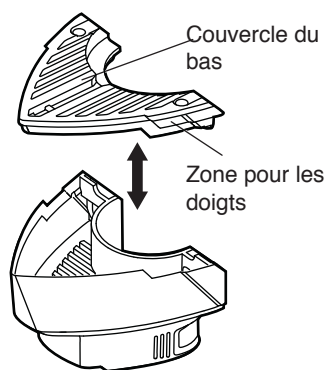


Pour nettoyer complètement la boîte à

poussière après avoir fini un projet de ponçage, saisissez la zone pour les doigts du couvercle du bas de la boîte à poussière pour retirer le couvercle de la boîte à poussière (Fig. 7b). Tapez pour éliminer la poussière se trouvant dans la boîte à poussière ou retirez la poussière avec vos doigts ou avec une brosse douce (non incluse).

AVIS : Ne lavez pas le microfiltre avec de l'eau et du savon. La poussière peut se loger plus fermement dans les pores, ce qui endommagera le microfiltre et réduira l'efficacité du dépolluissage.

Fig. 7b



Conseils pour le ponçage

Cet outil est particulièrement adapté à l'utilisation d'une seule main et à l'accès aux coins et aux bords qui sont autrement difficiles à atteindre et qui nécessiteraient un ponçage manuel. Assurez-vous toujours que les petites pièces à usiner sont solidement fixées à un banc ou à un autre support.

Les panneaux de plus grande taille peuvent être maintenus en place à la main sur un banc ou sur des chevalets.

PONÇAGE : Les feuilles de ponçage en oxyde d'aluminium à couche ouverte sont recommandées pour la plupart des applications de ponçage du bois ou du métal, étant donné que ce matériau synthétique coupe rapidement et s'use assez lentement et uniformément. Certaines applications, telles que la finition ou le nettoyage des matériaux, nécessitent des tampons abrasifs spéciaux qui sont disponibles auprès de votre revendeur. Pour obtenir les meilleurs résultats possibles, utilisez des accessoires de ponçage et de polissage de qualité supérieure et soigneusement sélectionnés pour produire des résultats de qualité professionnelle avec votre ponceuse.

Les suggestions suivantes peuvent servir de guide général pour le choix du papier de verre, mais les meilleurs résultats seront obtenus en ponçant d'abord un échantillon de la pièce à usiner.

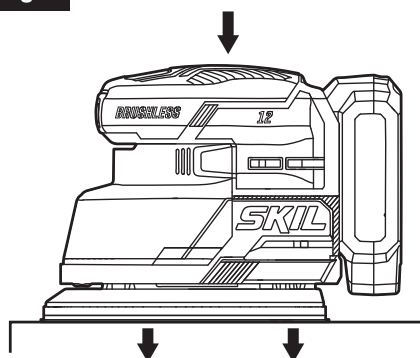
Grains	Application
Grossiers	Pour le ponçage du bois brut ou du métal, et l'élimination de la rouille ou de l'ancienne finition.
Moyens	Pour le ponçage du bois ou du métal de façon ordinaire.
Fins	Pour la finition finale du bois, du métal, du plâtre et d'autres surfaces.
Extra fins	Pour le ponçage final du bois nu, pour le lissage d'une ancienne peinture ou pour la préparation d'une surface finie en vue d'y installer un nouveau revêtement.

Après avoir solidement sécurisé la pièce à usiner, mettez l'outil en marche comme décrit précédemment. Mettez seulement la pièce à usiner en contact avec l'outil après que la ponceuse aura atteint sa vitesse de fonctionnement normale, et détachez-la de l'ouvrage avant de la mettre hors tension. L'utilisation de votre ponceuse de cette manière prolongera la durée de vie de l'interrupteur et du moteur, et cette façon de faire améliorera considérablement la qualité de votre travail.

Déplacez la ponceuse par longs coups réguliers, parallèlement au grain, en utilisant un mouvement latéral pour faire se chevaucher les coups d'au moins 75 %. N'appliquez PAS de pression excessive – laissez l'outil faire le travail. Une pression excessive entraînera une mauvaise manipulation, des vibrations et des marques de ponçage indésirables (Fig. 8).

Si la surface est rugueuse, commencez avec un papier de ponçage à grain plus grossier, puis terminez le surfacage avec un papier de ponçage à grains moyens et fins. Pour éviter des résultats inégaux, ne sautez pas plus d'une taille de grain lorsque vous passez du plus gros au plus fin, et ne poncez pas une zone pendant trop longtemps. Une fois le travail terminé, soulevez doucement l'outil de la surface de travail et mettez l'outil hors tension.

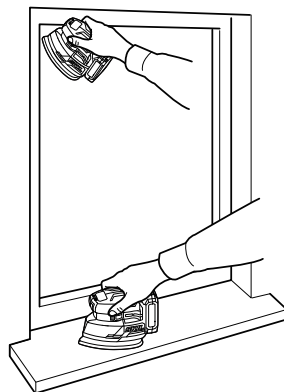
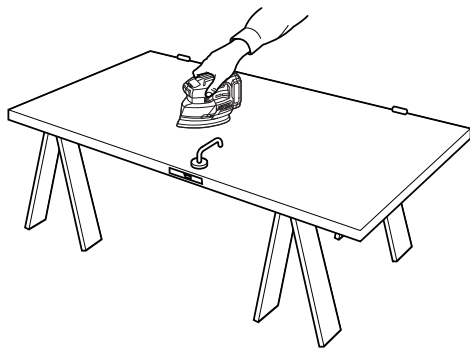
Fig. 8



Conseils pour l'application

Utilisez l'outil pour poncer les grandes surfaces de travail, les coins et les bords (Fig. 9).

Fig. 9



ENTRETIEN

⚠ AVERTISSEMENT

Pour éviter des blessures graves, retirez toujours le bloc-pile avant de procéder à l'entretien ou au nettoyage de l'outil.

Entretien

⚠ AVERTISSEMENT

L'entretien préventif effectué par une personne non autorisée peut avoir comme résultat de déplacer les fils et les composants internes de l'outil, ce qui pourrait constituer un grave danger. Tout entretien d'outil devrait être effectué dans un centre de service de l'usine de SKIL ou un centre de service autorisé de SKIL.

Entretien général

⚠ AVERTISSEMENT

Lors de l'entretien, utilisez seulement des pièces de rechange identiques aux pièces d'origine. L'utilisation de toute autre pièce peut constituer un danger ou endommager l'article. Inspectez périodiquement l'intégralité de l'article pour y déceler des pièces endommagées, manquantes ou lâches telles que des vis, des écrous, des boulons, des capuchons, etc. Resserrez fermement toutes les fixations et tous les capuchons et ne faites pas fonctionner cet article tant que toutes les pièces manquantes ou endommagées n'ont pas été remplacées. Veuillez communiquer avec le service à la clientèle ou avec un centre de service autorisé pour obtenir de l'aide.

Nettoyage

⚠ AVERTISSEMENT

L'utilisation d'air sec comprimé est la meilleure technique de nettoyage. Portez toujours des lunettes de sécurité lorsque vous nettoyez des outils avec de l'air comprimé. Les orifices de ventilation et les leviers d'interrupteur doivent être propres et exempts de toute substance étrangère. Ne tentez pas de nettoyer l'outil en insérant des objets pointus dans les ouvertures.

⚠ AVERTISSEMENT

Certains agents nettoyants et solvants endommagent les pièces en plastique. Notamment : l'essence, le tétrachlorure de carbone, les solvants nettoyants chlorés, l'ammoniaque et les détergents ménagers qui contiennent de l'ammoniaque.

Rangement

Rangez l'outil à l'intérieur dans un endroit inaccessible aux enfants. Rangez-le à l'écart des agents corrosifs.

RECHERCHE DE LA CAUSE DES PROBLÈMES

Problème	Cause	Remède
L'outil ne démarre pas.	<ol style="list-style-type: none">1. Les piles du bloc-piles sont déchargées.2. L'outil est surchargé.3. Le bloc-piles est trop chaud.4. Le bloc-piles n'a pas été installé correctement.	<ol style="list-style-type: none">1. Chargez le bloc-piles.2. Mettez l'outil hors tension et réessayez.3. Mettez l'outil hors tension et laissez le bloc-piles refroidir sous un jet d'air comprimé.4. Confirmez que le bloc-piles est verrouillé et qu'il est bien attaché à l'outil.

GARANTIE LIMITÉE DE L'OUTIL SKIL

GARANTIE LIMITÉE DE 5 ANS

Chervon North America, Inc. (le « vendeur ») garantit à l'acheteur initial seulement que tous les OUTILS SKIL destinés à un usage résidentiel seront exempts de défauts de matériaux ou de fabrication pour une période de cinq ans à compter de la date d'achat si l'acheteur initial enregistre l'article dans les 30 jours suivant la date d'achat. LES PILES ET LES CHARGEURS sont garantis pour une période de 2 ans. L'enregistrement de l'article peut être effectué en ligne au www.Registermyskil.com. De plus, nous recommandons aux acheteurs initiaux de conserver leur reçu comme preuve d'achat. LA PÉRIODE DE GARANTIE DE CINQ ANS SUR LES OUTILS EST CONDITIONNELLE À L'ENREGISTREMENT DE L'ARTICLE DANS LES 30 JOURS SUIVANT LA DATE D'ACHAT. Si les acheteurs initiaux n'enregistrent pas leur article dans le délai prévu, la garantie limitée sur les outils électriques susmentionnée ne s'appliquera que pour une période de trois ans. Toutes les piles et tous les chargeurs demeureront couverts par la garantie limitée de deux ans.

Nonobstant les dispositions précédentes, si un outil SKIL destiné à un usage résidentiel est utilisé à des fins industrielles, professionnelles ou commerciales, la garantie susmentionnée ne s'appliquera que pour une période de quatre-vingt-dix (90) jours, que l'article ait été enregistré ou non.

LA SEULE OBLIGATION DU VENDEUR ET VOTRE RECOURS EXCLUSIF au titre de cette garantie limitée et, dans les limites permises par la loi, de toute garantie ou condition prévue par la loi, est la réparation ou le remplacement, sans frais, des pièces qui présentent un défaut matériel ou de fabrication, qui n'ont pas fait l'objet d'un usage abusif ou inapproprié et qui n'ont pas été réparées par des personnes autres que le vendeur ou un technicien d'un centre de service autorisé. Pour effectuer une réclamation au titre de la présente garantie limitée, vous devez retourner, port payé, l'article en entier à un centre de service de l'usine de SKIL ou à un centre de service autorisé. Pour communiquer avec un centre de service autorisé de SKIL Power Tools, veuillez visiter le www.Registermyskil.com ou composer le 1 877 SKIL-999 (1 877 754-5999).

CETTE GARANTIE LIMITÉE NE S'APPLIQUE PAS AUX ACCESSOIRES TELS QUE LES LAMES DE SCIE CIRCULAIRE, LES FORETS, LES FRAISES À TOUPIE, LES LAMES DE SCIE SAUTEUSE, LES COURROIES DE PONÇAGE, LES MEULES ET LES AUTRES ACCESSOIRES CONNEXES.

TOUTE GARANTIE IMPLICITE APPLICABLE À UN ARTICLE EST LIMITÉE À UNE DURÉE ÉGALE À LA DURÉE DES GARANTIES EXPRESSES APPLICABLES À UN TEL ARTICLE, COMME IL EST INDIQUÉ AU PREMIER PARAGRAPHE DE CETTE GARANTIE. CERTAINS ÉTATS DES ÉTATS-UNIS ET CERTAINES PROVINCES DU CANADA NE PERMETTENT PAS DE LIMITATIONS QUANT À LA DURÉE DES GARANTIES IMPLICITES, DE SORTE QUE LES LIMITATIONS INDIQUÉES CI-DESSUS PEUVENT NE PAS S'APPLIQUER À VOUS.

LE VENDEUR NE SERA EN AUCUN CAS TENU RESPONSABLE DES DOMMAGES ACCESSOIRES OU CONSÉCUTIFS (Y COMPRIS, SANS TOUTEFOIS S'Y LIMITER, DES PERTES DE PROFIT) RÉSULTANT DE LA VENTE OU DE L'USAGE DE CET ARTICLE. CERTAINS ÉTATS DES ÉTATS-UNIS ET CERTAINES PROVINCES DU CANADA NE PERMETTENT PAS L'EXCLUSION OU LA LIMITATION DES DOMMAGES ACCESSOIRES OU CONSÉCUTIFS, DE SORTE QUE LA LIMITATION OU L'EXCLUSION SUSMENTIONNÉE POURRAIT NE PAS S'APPLIQUER À VOUS.

CETTE GARANTIE LIMITÉE VOUS CONFÈRE DES DROITS PRÉCIS. IL EST POSSIBLE QUE VOUS DISPOSIEZ ÉGALEMENT D'AUTRES DROITS, QUI VARIENT D'UN ÉTAT, D'UNE PROVINCE OU D'UN PAYS À L'AUTRE.

CETTE GARANTIE LIMITÉE S'APPLIQUE UNIQUEMENT AUX ARTICLES VENDUS AUX ÉTATS-UNIS D'AMÉRIQUE, AU CANADA ET À L'ÉTAT LIBRE DE PORTO RICO. POUR CONNAÎTRE LA COUVERTURE DE LA GARANTIE DANS D'AUTRES PAYS, VEUILLEZ COMMUNIQUER AVEC VOTRE DÉTAILLANT OU IMPORTATEUR SKIL LOCAL.

ÍNDICE

Advertencias de seguridad general en el manejo de herramientas eléctricas	36-39
Normas de seguridad para lijadoras	40
Símbolos.	41-44
Familiarícese con su lijadora de detalles	45
Especificaciones	45
Instrucciones de funcionamiento	46-50
Mantenimiento.	51
Resolución de problemas.	52
Garantía limitada para herramienta SKIL	53

⚠ ADVERTENCIA

- Parte del polvo causado por el lijado eléctrico, el serruchado, la trituración, el taladro y otras actividades de construcción contiene sustancias químicas que, según el estado de California, causan cáncer, defectos congénitos u otros daños reproductivos. Algunos ejemplos de estos productos químicos son:
 - Plomo de pinturas a base de plomo.
 - Sílice cristalina de ladrillos, cemento y otros productos de mampostería.
 - Arsénico y cromo de madera tratada con químicos.
- El riesgo que corre debido a la exposición a estos químicos varía según la frecuencia con que realiza este tipo de trabajo. Para reducir la exposición a estas sustancias químicas:
 - Trabaje en un área bien ventilada.
 - Trabaje con equipo de seguridad aprobado, como las mascarillas antipolvo especialmente diseñadas para filtrar partículas microscópicas.
 - Evite estar en contacto prolongado con el polvo provocado por el lijado, el aserrado, la trituración y el taladrado, y otras actividades de construcción. Use ropa protectora y lave todas las áreas expuestas del cuerpo con agua y jabón. Si permite que el polvo llegue a su boca o a sus ojos, o que caiga sobre la piel, podría fomentar la absorción de productos químicos dañinos.

ADVERTENCIAS DE SEGURIDAD GENERAL EN EL MANEJO DE HERRAMIENTAS ELÉCTRICAS

⚠ ADVERTENCIA Lea todas las advertencias de seguridad, las instrucciones, las ilustraciones y las especificaciones que se incluyen esta herramienta eléctrica. No seguir todas las instrucciones que se detallan a continuación podría provocar descargas eléctricas, incendios o lesiones graves.

GUARDE TODAS LAS ADVERTENCIAS E INSTRUCCIONES PARA REFERENCIA FUTURA.

El término “herramienta eléctrica” que aparece en las advertencias se refiere a la herramienta eléctrica que se conecta a la línea principal (con cable) o a la herramienta eléctrica que funciona con batería (inalámbrica).

Seguridad en el área de trabajo

Mantenga el área de trabajo limpia y bien iluminada. Las áreas desordenadas u oscuras aumentan las posibilidades de accidentes.

No utilice herramientas eléctricas en atmósferas en las que exista riesgo de explosión, como por ejemplo en presencia de líquidos inflamables, gases o polvo. Las herramientas eléctricas producen chispas que podrían encender el polvo o el humo.

Mantenga a los niños y transeúntes alejados mientras opera una herramienta eléctrica. Las distracciones pueden hacerle perder el control.

Seguridad eléctrica

Los enchufes de las herramientas eléctricas deben encajar en el tomacorriente. Nunca modifique el enchufe de ninguna manera. No utilice ningún enchufe adaptador con herramientas eléctricas con puesta a tierra. Los enchufes sin modificaciones y que encajan en los tomacorrientes reducen el riesgo de descarga eléctrica.

Evite el contacto del cuerpo con superficies con puesta a tierra, como tuberías, radiadores, estufas o refrigeradores. Existe un riesgo adicional de descarga eléctrica si su cuerpo tiene puesta a tierra.

No exponga las herramientas eléctricas a la lluvia o a condiciones de humedad. Si ingresa agua en una herramienta eléctrica, el riesgo de descarga eléctrica aumentará.

No maltrate el cable. Nunca use el cable para transportar, jalar ni desenchufar la herramienta eléctrica. Mantenga el cable alejado del calor, el aceite, los bordes filosos o las piezas en movimiento. Los cables dañados o enredados aumentan el riesgo de descarga eléctrica.

Cuando utilice una herramienta eléctrica en exteriores, use una extensión eléctrica adecuada para uso en exteriores. El uso de un cable apto para uso en exteriores reduce el riesgo de descarga eléctrica.

Si debe utilizar una herramienta eléctrica en un área húmeda, use un suministro protegido con un interruptor de circuito de falla de puesta a tierra (GFCI, por sus siglas en inglés). El uso de un interruptor GFCI disminuye el riesgo de descarga eléctrica.

Seguridad personal

Manténgase alerta, preste atención a lo que hace y utilice el sentido común cuando utilice una herramienta eléctrica. No utilice una herramienta eléctrica si está cansado o bajo los efectos de drogas, alcohol o medicamentos. Un momento de desatención mientras opera herramientas eléctricas puede provocar lesiones personales graves.

Use un equipo de protección personal. Use siempre lentes de protección. Los equipos de protección, como mascarillas antipolvo, zapatos de seguridad antideslizantes, cascos protectores o protección auditiva, utilizados para las condiciones adecuadas, disminuyen el riesgo de lesiones personales.

Evite un arranque accidental. Asegúrese de que el interruptor esté en la posición de apagado antes de conectar la herramienta a la fuente de alimentación o la batería, o antes de levantarla o transportarla. Transportar herramientas eléctricas con el dedo en el interruptor o enchufar herramientas eléctricas que tienen el interruptor encendido aumenta las posibilidades de sufrir accidentes.

Retire todas las llaves de ajuste o llaves inglesas antes de encender la herramienta eléctrica. Si se deja una llave inglesa o una llave conectada a una pieza giratoria de la herramienta eléctrica, se podrían producir lesiones personales.

No se extienda demasiado. Mantenga una postura y un equilibrio adecuados en todo momento. Esto permite un mejor control de la herramienta eléctrica en situaciones inesperadas.

Use ropa adecuada. No use ropa holgada ni joyas. Mantenga el cabello, la ropa y los guantes lejos de las piezas en movimiento. La ropa holgada, las joyas o el cabello largo pueden quedar atrapados en las piezas en movimiento.

Si se proporcionan dispositivos para la conexión de instalaciones de extracción y recolección de polvo, asegúrese de que se conecten y se usen debidamente. La recolección de polvo puede disminuir los peligros relacionados con el polvo.

No permita que la familiaridad del uso frecuente de las herramientas lo haga no tener en cuenta los principios de seguridad de las herramientas. Un descuido puede ocasionar una lesión grave en cuestión de segundos.

Uso y cuidado de las herramientas eléctricas

No fuerce la herramienta eléctrica. Utilice la herramienta eléctrica adecuada para su tarea. La herramienta eléctrica adecuada realizará un trabajo más seguro y de mejor calidad al ritmo para el que se diseñó.

No utilice la herramienta eléctrica si el interruptor no la enciende o apaga. Cualquier herramienta eléctrica que no pueda controlarse con el interruptor es peligrosa y debe repararse.

Desconecte el enchufe de la fuente de alimentación o retire el paquete de baterías de la herramienta eléctrica (si es posible) antes de realizar cualquier ajuste, cambiar accesorios o almacenar herramientas eléctricas. Este tipo de medidas de seguridad preventivas reduce el riesgo de arranques accidentales de la herramienta eléctrica.

Almacene las herramientas eléctricas que no estén en uso fuera del alcance de los niños y no permita que personas no familiarizadas con la herramienta o estas instrucciones la operen. Las herramientas eléctricas son peligrosas en manos de usuarios sin capacitación.

Realice mantenimiento a las herramientas eléctricas y a los accesorios. Revise si hay piezas móviles desalineadas o torcidas, si hay piezas rotas y cualquier otra condición que pueda afectar el funcionamiento de la herramienta eléctrica. Si se daña la herramienta eléctrica, hágala reparar antes de usarla. Muchos accidentes son producto del mantenimiento incorrecto de las herramientas eléctricas.

Mantenga las herramientas de corte afiladas y limpias. Las herramientas de corte que se mantienen adecuadamente, con sus bordes de corte afilados, son menos propensas a trabarse y son más fáciles de controlar.

Use la herramienta eléctrica, los accesorios, las brocas, etc. de acuerdo con estas instrucciones, considerando las condiciones de trabajo y el trabajo que desea realizar. El uso de la herramienta eléctrica en operaciones distintas para las que fue diseñada podría crear una situación de peligro.

Mantenga las manijas y las superficies de agarre secas, limpias y sin aceite ni grasa. Las manijas y superficies de agarre húmedas no permiten una manipulación segura ni controlar la herramienta en situaciones inesperadas.

Uso y cuidado de herramientas con batería

Recargue solo con el cargador especificado por el fabricante. Un cargador adecuado para un tipo de paquete de baterías puede crear un riesgo de incendio cuando se usa con otro paquete de baterías.

Use las herramientas eléctricas solo con los paquetes de baterías específicamente designados para ellas. El uso de cualquier otro paquete de baterías puede crear un riesgo de lesión e incendio.

Cuando el paquete de baterías no está en uso, aléjelo de objetos metálicos, como sujetapapeles, monedas, llaves, clavos, tornillos u otros objetos metálicos pequeños que pudieran crear una conexión entre los terminales. Es posible que conectar los terminales de la batería entre sí produzca quemaduras o un incendio.

En condiciones de maltrato, es posible que salga líquido de la batería. Evite el contacto. Si se produce un contacto accidental, enjuague con agua. Si el líquido entra en contacto con los ojos, solicite atención médica adicional. El líquido que sale de la batería puede provocar irritación o quemaduras.

No utilice un paquete de baterías ni una herramienta si están dañadas o modificadas. Las baterías dañadas o modificadas pueden mostrar una conducta impredecible que ocasione incendios, explosiones o riesgo de lesión.

No exponga el paquete de baterías ni la herramienta al fuego o a una temperatura excesiva. La exposición al fuego o a temperaturas por encima de los 265 °F podría causar una explosión.

Siga todas las instrucciones de carga y no cargue el paquete de baterías ni las herramientas fuera del rango de temperatura especificado en las instrucciones. La carga inadecuada o a temperaturas fuera del rango especificado podría dañar la batería y aumentar el riesgo de incendio.

Reparación

Permita que solo una persona capacitada repare la herramienta eléctrica, mediante el uso solo de piezas de repuesto idénticas. Esto mantendrá la seguridad de la herramienta eléctrica.

Nunca realice mantenimiento a los paquetes de batería. Solo el fabricante o proveedores de servicio autorizados pueden realizar el mantenimiento de los paquetes de baterías.

NORMAS DE SEGURIDAD PARA LIJADORAS

Utilice abrazaderas u otra manera práctica de soportar la pieza de trabajo y sujetarla a una plataforma estable. Si la pieza de trabajo se sujeta con la mano o contra el cuerpo, dicha pieza es inestable y es posible que cause pérdida de control.

Su herramienta está equipada con una bolsa extractora de polvo –vacíela frecuentemente después de completar el lijado y antes de almacenar la lijadora–. Tenga mucho cuidado al desechar el polvo –es posible que los materiales en forma de partículas finas sean explosivos–. No arroje el polvo generado por el lijado a un fuego al descubierto. Se puede producir combustión de la mezcla de barnices, lacas, poliuretano, aceite o agua con partículas de polvo si hay una descarga de electricidad estática, si se introduce una chispa en la bolsa o si hay calor excesivo.

Use siempre protección ocular y una máscara antipolvo para las aplicaciones que generen grandes cantidades de polvo y cuando lije por encima de la cabeza. Las partículas generadas por el lijado pueden ser absorbidas por los ojos e inhaladas fácilmente, y es posible que causen complicaciones de salud.

No lije materiales mojados con esta lijadora. La entrada de líquidos en la carcasa del motor constituye un peligro de descargas eléctricas.

No utilice papel de lija diseñado para almohadillas de lijar más grandes. El papel de lija más grande sobresaldrá de la almohadilla de lijar, con lo cual causará enganche, desgarramiento del papel o retroceso. El papel extra que sobresalga de la almohadilla de lijar también puede causar laceraciones graves.

Mantenga los mangos secos, limpios y libres de aceite y grasa. Las manos resbalosas no pueden controlar la herramienta eléctrica de manera segura.





Desarrolle un programa de mantenimiento periódico para su herramienta. Cuando limpie una herramienta, tenga cuidado de no desarmar ninguna parte de la misma, ya que es posible que los cables internos queden descolocados o resulten aplastados. Es posible que ciertos agentes de limpieza, tales como gasolina, tetracloruro de carbono, amoníaco, etc., dañen las piezas de plástico.

SÍMBOLOS

Símbolos de seguridad

El objetivo de los símbolos de seguridad es captar su atención ante posibles peligros. Los símbolos de seguridad y las explicaciones que se dan merecen su atención y comprensión cuidadosa. Las advertencias del símbolo no eliminan por sí mismas ningún peligro. Las instrucciones y las advertencias que se dan no son sustitutos de las medidas adecuadas de prevención de accidentes.

⚠ ADVERTENCIA Asegúrese de leer y de comprender todas las instrucciones de seguridad en este manual del propietario, incluidos todos los símbolos de alerta de seguridad como “**PELIGRO**”, “**ADVERTENCIA**” y “**PRECAUCIÓN**” antes de usar esta herramienta. El incumplimiento de las siguientes instrucciones puede provocar descargas eléctricas, incendios y/o lesiones personales graves.

Las definiciones que se ofrecen a continuación describen el nivel de gravedad de cada símbolo. Lea el manual y preste atención a dichos símbolos.	
	Este es el símbolo de advertencia de seguridad. Se utiliza para advertirlo de los peligros de posibles lesiones personales. Cumpla con todos los mensajes de seguridad a continuación de este símbolo para evitar posibles lesiones o consecuencias fatales.
	PELIGRO indica una situación de peligro que, de no evitarse, ocasionará la muerte o lesiones graves.
	ADVERTENCIA indica una situación potencialmente peligrosa que, de no evitarse, puede ocasionar la muerte o lesiones graves.
	PRECAUCIÓN, se usa con el símbolo de advertencia de seguridad e indica una situación peligrosa que, de no evitarse, puede causar lesiones menores o moderadas.

Mensajes de prevención de daños e información

Estos mensajes informan al usuario sobre informaciones y/o instrucciones importantes que, de no seguirse, pueden causar daños al equipo o la propiedad. Antes de cada mensaje, aparece la palabra “AVISO”, como en el ejemplo a continuación:










AVISO: Si no se siguen estas instrucciones se pueden producir daños al equipo o la propiedad.






⚠ ADVERTENCIA Durante el funcionamiento de cualquier herramienta eléctrica, pueden entrar objetos extraños a los ojos y causar graves daños oculares. Use siempre lentes o gafas de seguridad con protecciones laterales y, cuando sea necesario, un protector facial que cubra todo el rostro antes de comenzar a operar una herramienta eléctrica. Recomendamos usar una máscara de seguridad de visión amplia sobre los lentes o las gafas de seguridad estándar con protección lateral. Siempre use lentes de protección que cumplan con la norma ANSI Z87.1.

SÍMBOLOS (CONTINUACIÓN)







IMPORTANTE: Algunos de los siguientes símbolos pueden aparecer en sus herramientas. Obsérvelos y conozca su significado. La interpretación correcta de estos símbolos le permitirá utilizar la herramienta de manera eficaz y segura.

Símbolo	Nombre	Designación/Explicación
V	Voltios	Voltaje
A	Amperios	Corriente
Hz	Hertz	Frecuencia (ciclos por segundo)
W	Vatios	Alimentación
kg	Kilogramos	Peso
min	Minutos	Hora
s	Segundos	Hora
Wh	Vatio por horas	Capacidad de la batería
Ah	Amperios por hora	Capacidad de la batería
∅	Diámetro	Tamaño de las brocas para taladro, piedras de amolar, etc.
n_0	Velocidad sin carga	Velocidad de rotación sin carga
n	Rango de velocidad	Velocidad máxima alcanzable
.../min	Revoluciones o recíprocaciones por minuto (rpm)	Revoluciones, pasadas, velocidad de superficie, órbitas, etc. por minuto
O	Posición de apagado	Velocidad cero, torsión cero...
1,2,3,... I,II,III,	Ajustes del selector	Ajustes de velocidad, par o posición. Un número mayor significa mayor velocidad
	Selector de regulación continua con apagado	La velocidad aumenta desde el ajuste 0
	Flecha	Acción en la dirección de la flecha
	Corriente alterna (CA)	Tipo o característica de corriente
	Corriente continua (CC)	Tipo o característica de corriente
	Corriente alterna o continua (CA/CC)	Tipo o característica de corriente
	Herramienta de Clase II	Designa las herramientas de construcción con doble aislamiento
	Conexión a tierra de protección	Terminal de conexión a tierra
	Sello de iones de litio de RBRC	Designa el programa de reciclaje de baterías de iones de litio
	Lea las instrucciones	Indica al usuario que lea el manual

Símbolo	Nombre	Designación/Explicación
	Símbolo de uso de lentes de protección	Alerta al usuario para que use protección ocular
	Utilice siempre la herramienta con las dos manos	Alerta al usuario para que utilice siempre la herramienta con las dos manos
	No utilice el protector para operaciones de tronzado	Alerta al usuario para que no utilice el protector para operaciones de tronzado

SÍMBOLOS (INFORMACIÓN DE CERTIFICACIÓN)

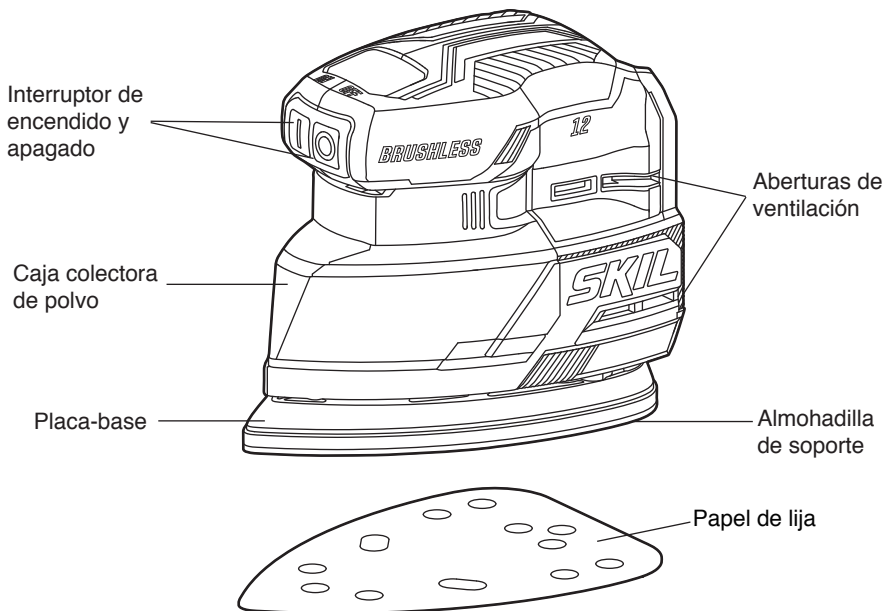
IMPORTANTE: Algunos de los siguientes símbolos de información de certificación pueden aparecer en sus herramientas. Obsérvelos y conozca su significado. La interpretación correcta de estos símbolos le permitirá utilizar la herramienta de manera eficaz y segura.

Símbolo	Designación/Explicación
	Este símbolo designa que esta herramienta está incluida en la lista de Underwriters Laboratories.
	Este símbolo designa que este componente está reconocida por Underwriters Laboratories.
	Este símbolo designa que esta herramienta está incluida en la lista de Underwriters Laboratories, conforme a las normas de Estados Unidos y Canadá.
	Este símbolo designa que esta herramienta está incluida en la lista de Canadian Standards Association.
	Este símbolo designa que esta herramienta está incluida en la lista de Canadian Standards Association, conforme a las normas de Estados Unidos y Canadá.
 Intertek	Este símbolo designa que esta herramienta está incluida en la lista de Intertek Testing Services, conforme a las normas de Estados Unidos y Canadá.

FAMILIARÍCESE CON SU LIJADORA DE DETALLES

Lijadora de detalles de 12 V sin escobillas

Fig. 1



ESPECIFICACIONES

Generales	
Tensión nominal	12 V c.c.
Velocidad sin carga	12,000 OPM
Tamaño de la placa	5-1/4 x 3-11/16 pulgadas (133 x 93 mm)
Diámetro de la órbita	1/16 de pulgada (1,6 mm)
Temperatura de funcionamiento recomendada	14 – 104 °F (-10 – 40 °C)
Temperatura de almacenamiento recomendada	32 – 104 °F (0 – 40 °C)

INSTRUCCIONES DE FUNCIONAMIENTO

⚠ ADVERTENCIA Para reducir el riesgo de incendios, lesiones personales y daños al producto por un cortocircuito, nunca sumerja la herramienta, el paquete de baterías ni el cargador en líquidos ni permita que los líquidos ingresen a estos. Los líquidos corrosivos o conductores, como el agua de mar, algunos productos químicos industriales y el blanqueador o los productos que contienen blanqueador, pueden generar un cortocircuito.

⚠ ADVERTENCIA Si hay piezas dañadas o faltantes, no utilice el producto hasta que las haya reemplazado. El uso de este producto con piezas dañadas o faltantes podría causar lesiones personales graves.

⚠ ADVERTENCIA No intente modificar este taladro/destornillador ni crear accesorios que no sean recomendados para utilizar con este taladro/destornillador. Cualquier alteración o modificación se considera un uso indebido y puede causar una condición peligrosa que a su vez puede ocasionar lesiones graves.

⚠ ADVERTENCIA Para evitar un arranque accidental, que podría causar lesiones personales graves, retire siempre el paquete de baterías del taladro/destornillador cuando esté ensamblando las piezas.

Este taladro/destornillador inalámbrico se debe usar solamente con los paquetes de baterías y el cargador que se indican a continuación:

Paquete de baterías		Cargador
2Ah	4Ah	
SKIL BY500101 SKIL BY519901	SKIL BY519801	SKIL QC535701 SKIL SC536501

AVISO: Consulte el manual de la batería y del cargador para obtener información detallada sobre el funcionamiento.

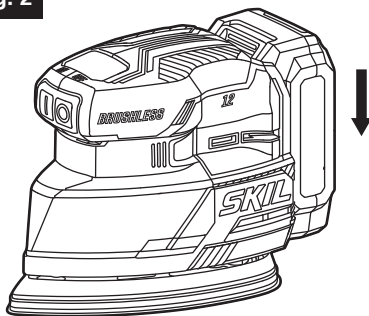
Para instalar/desinstalar el paquete de batería

⚠ ADVERTENCIA Apague siempre la herramienta antes de instalar o desinstalar el paquete de batería.

Para instalar el paquete de batería: Alinee la costilla en relieve ubicada en el paquete de batería con las ranuras ubicadas en la herramienta y luego deslice el paquete de batería sobre la herramienta (Fig. 2).

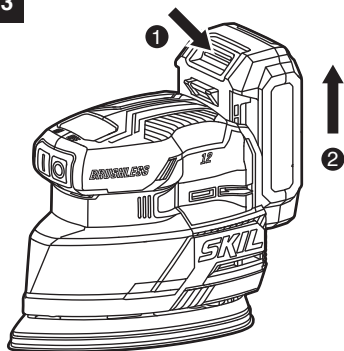
AVISO: Cuando coloque el paquete de batería en la herramienta, asegúrese de que la costilla en relieve ubicada en el paquete de batería se alinee con la ranura ubicada dentro de la herramienta y que los pestillos se acoplen a presión en la posición correcta. Una instalación incorrecta del paquete de batería puede causar daños a los componentes internos.

Fig. 2



Para desinstalar el paquete de batería:
Presione el botón de liberación de la batería, ubicado en la parte delantera del paquete de batería, para liberar dicho paquete. Jale hacia fuera el paquete de batería y retírelo de la herramienta (Fig. 3).

Fig. 3

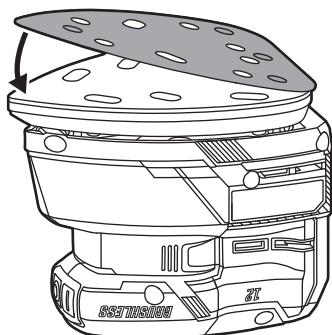


Instalación del papel de lija

Esta lijadora utiliza papel de lija con soporte de enganche y cierre, que se agarra firmemente a la almohadilla de soporte cuando se aplica con una presión moderada.

Para cambiar el papel de lija, elimine todo el polvo que esté en la almohadilla de soporte y presione el papel de lija nuevo hasta que esté en la posición correcta. Asegúrese de alinear los agujeros del papel de lija con los agujeros de la almohadilla de soporte para permitir que el sistema de extracción de polvo funcione correctamente (Fig. 4).

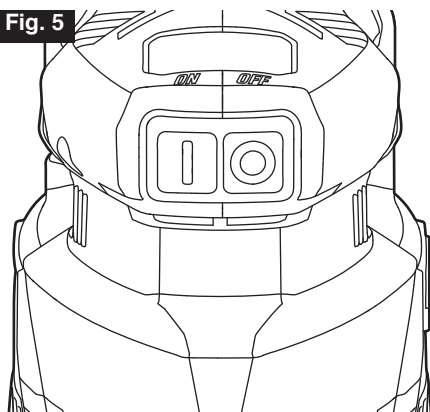
Fig. 4



Encendido y apagado de la lijadora

Para encender la lijadora, presione el lado del interruptor de encendido y apagado marcado con la letra "I". Para apagarla, presione el lado del interruptor de encendido y apagado marcado con la letra "O" (Fig. 5).

Fig. 5

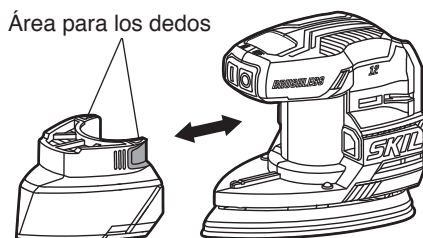


Caja colectora de polvo con microfiltro

Fig. 6

El sistema de extracción de polvo integrado recolecta el polvo generado por el lijado en la caja suministrada con la lijadora. Para lograr la máxima eficiencia, la caja colectora de polvo se deberá vaciar frecuentemente durante la utilización.

⚠ ADVERTENCIA Vacíe frecuentemente la caja colectora de polvo durante el uso, después de completar el lijado y antes de almacenar la lijadora. Sea sumamente cuidadoso con la eliminación del polvo; es posible que los materiales en forma de partículas finas sean explosivos. No arroje el polvo generado por el lijado a un fuego al descubierto. Se puede producir una combustión de la mezcla de barnices, lacas, poliuretano, aceite o agua con partículas de polvo si hay una descarga de electricidad estática, se introduce una chispa en la caja o hay calor excesivo.



Instalación y desinstalación de la caja colectora de polvo

Para instalar la caja colectora de polvo con microfiltro, alinee la ranura ubicada en la caja colectora de polvo con la costilla ubicada en la herramienta y luego empuje la caja colectora de polvo sobre la herramienta hasta que quede fija en la posición correcta (Fig. 6).

Para desinstalar la caja colectora de polvo, agarre el área para los dedos de la caja colectora de polvo para jalarla alejándola de la herramienta.

Vaciado y limpieza de la caja colectora de polvo

Fig. 7a

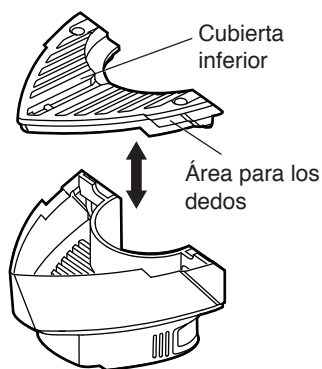
1. Retire la caja colectora de polvo de la herramienta.
2. **Para vaciar frecuentemente de polvo la caja colectora durante la utilización,** agarre la caja colectora de polvo de manera que las entradas para el polvo estén orientadas hacia abajo (Fig. 7a). Dé golpes suaves para sacar el polvo de la caja colectora de polvo. Es posible que note que no todo el polvo ha salido de la caja. Esto no afectará al rendimiento de lijado, pero reducirá la eficiencia de recolección de polvo.



Para limpiar completamente la caja colectora de polvo después de acabar un proyecto de lijado, agarre el área para los dedos de la cubierta inferior de la caja colectora de polvo para jalar la cubierta alejándola de la caja colectora de polvo (Fig. 7b). Dé golpes para sacar el polvo de la caja colectora de polvo o retire el polvo con los dedos o con un cepillo blando (no incluido).

AVISO: No lave el microfiltro con agua y jabón. Es posible que el polvo se incruste más firmemente en los poros, lo cual dañará el microfiltro y reducirá la eficiencia de recolección de polvo.

Fig. 7b



Consejos para lijar

Esta herramienta es particularmente adecuada para su utilización con una mano y el acceso a esquinas y bordes que de otra manera son difíciles de alcanzar y requerirían lijado a mano.

Asegúrese siempre de que las piezas de trabajo más pequeñas estén firmemente sujetas a un banco de trabajo u otro soporte.

Los paneles más grandes se pueden sujetar en la posición correcta con la mano sobre un banco o caballetes de aserrar.

LIJADO: Se recomiendan hojas de lija de óxido de aluminio de capa abierta para la mayoría de las aplicaciones de lijado de madera o metal, ya que este material sintético corta rápidamente y resiste bien el desgaste. Algunas aplicaciones, tales como el acabado o la limpieza de material, requieren almohadillas abrasivas especiales que están disponibles a través de su distribuidor. Para obtener los mejores resultados, utilice accesorios de lijado y pulido que sean de calidad superior y estén cuidadosamente seleccionados para producir resultados de calidad profesional con su lijadora.

Se pueden seguir las siguientes sugerencias como guía general para la selección del papel de lija, pero los mejores resultados se obtendrán lijando primero una muestra de prueba de la pieza de trabajo.

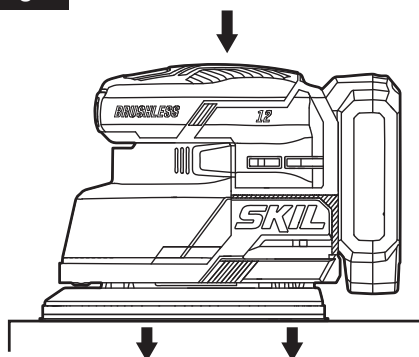
Grano	Aplicación
Grueso	Para realizar lijado basto de madera o metal y eliminar de óxido o retirar acabado viejo.
Mediano	Para realizar lijado general de madera o metal.
Fino	Para realizar el acabado final de superficies de madera, metal, yeso y otras superficies.
Extrafino	Para realizar el lijado final de madera desnuda, alisar pintura vieja o preparar una superficie acabada para aplicarle un recubrimiento nuevo.

Con la pieza de trabajo firmemente sujeta, apague la herramienta de la manera descrita anteriormente. Ponga la herramienta en contacto con la pieza de trabajo solo después de que la lijadora haya alcanzado su velocidad máxima y retire la herramienta de la pieza de trabajo antes de apagarla. La utilización de su lijadora de esta manera prolongará la vida útil del interruptor y del motor, y aumentará enormemente la calidad del trabajo que usted realiza.

Mueva la lijadora en pasadas largas y firmes paralelas a la veta, utilizando un poco de movimiento lateral para superponer las pasadas tanto como un 75%. NO aplique una presión excesiva –deje que la herramienta haga el trabajo–. Una presión excesiva tendrá como resultado un manejo deficiente, vibración y marcas de lijado no deseadas (Fig. 8).

Si la superficie es basta, comience con papel de lija de grano más grueso y luego complete la preparación de la superficie con grano mediano y fino. Para evitar resultados desiguales, no salte más de un tamaño de grano cuando pase de un tamaño de grano más grueso a uno más fino, y no lije en un área demasiado tiempo. Cuando se haya completado el trabajo, levante suavemente la herramienta de la superficie de trabajo y apague la herramienta.

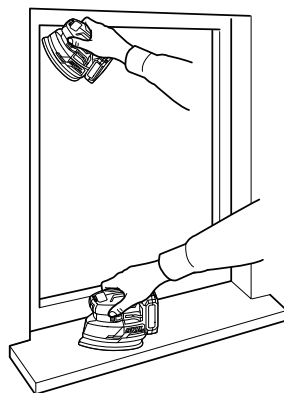
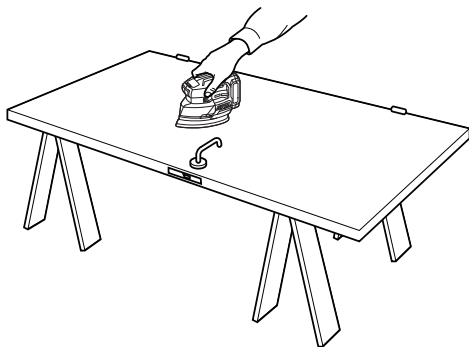
Fig. 8



Consejos de aplicación

Utilice la herramienta para lijar superficies de trabajo grandes, esquinas y bordes (Fig. 9).

Fig. 9



MANTENIMIENTO

⚠ ADVERTENCIA Para evitar accidentes, desconecte siempre la herramienta de la fuente de alimentación antes de realizar limpieza o cualquier mantenimiento.

Servicio

⚠ ADVERTENCIA Es posible que el mantenimiento preventivo realizado por personal no autorizado tenga como resultado una colocación incorrecta de los cables y componentes internos, lo cual podría causar un peligro grave. Recomendamos que todo el servicio de ajustes y reparaciones de la herramienta sea realizado por un Centro de Servicio de Fábrica SKIL o una Estación de Servicio SKIL Autorizada.

Mantenimiento general

⚠ ADVERTENCIA Al realizar mantenimiento, utilice solo piezas de repuesto idénticas a las de fabricación. el uso de cualquier otra pieza puede crear un peligro o causar daños en el producto. Inspeccione el producto periódicamente para verificar que no haya piezas dañadas, faltantes o flojas, como tornillos, tuercas, pernos, tapas, etc. Apriete bien todos los sujetadores y las tapas y no use el producto hasta que se hayan reemplazado las piezas faltantes o dañadas. Si necesita más ayuda, póngase en contacto con el Departamento de Servicio al Cliente o un centro de servicio autorizado.

Limpieza

⚠ ADVERTENCIA La herramienta se puede limpiar mejor con aire comprimido seco. Siempre use gafas de seguridad al usar herramientas de limpieza con aire comprimido. Las aberturas de ventilación y las palancas del interruptor deben mantenerse limpios y libres de materiales extraños. No intente limpiar insertando objetos puntiagudos a través de las aberturas.

⚠ ADVERTENCIA Determinados solventes y agentes de limpieza dañan las piezas de plástico. Algunos de estos son: gasolina, tetracloruro de carbono, solventes de limpieza con cloro, amoníaco y detergentes domésticos que contienen amoníaco.

Almacenamiento

Almacene la herramienta en un lugar cerrado que no sea accesible para los niños. Manténgala alejada de agentes corrosivos.

RESOLUCIÓN DE PROBLEMAS

Problema	Causa	Remedio
La herramienta no arranca.	<ol style="list-style-type: none"><li data-bbox="306 172 661 224">1. El paquete de batería está agotado.<li data-bbox="306 240 661 292">2. La herramienta está sobrecargada.<li data-bbox="306 337 661 389">3. El paquete de batería está demasiado caliente.<li data-bbox="306 441 661 493">4. El paquete de batería no está instalado correctamente.	<ol style="list-style-type: none"><li data-bbox="676 172 994 224">1. Cargue el paquete de batería.<li data-bbox="676 240 994 292">2. Apague la herramienta y luego inténtelo de nuevo.<li data-bbox="676 308 994 409">3. Apague la herramienta y deje que el paquete de batería se enfríe bajo una corriente de aire.<li data-bbox="676 425 994 503">4. Confirme que el paquete de batería está fijo y sujeto en la herramienta.

GARANTÍA LIMITADA PARA HERRAMIENTA SKIL

5 AÑO DE GARANTÍA LIMITADA

Chervon North America, Inc. (“Vendedor”) garantiza únicamente al comprador original que ninguna HERRAMIENTA SKIL del consumidor presentará defectos en los materiales ni la mano de obra durante un período de cinco años a partir de la fecha de compra si el comprador original registra el producto dentro de los 30 días de realizada la compra. Las BATERÍAS y los CARGADORES tienen una garantía de 2 años. El registro del producto se puede completar en línea en www.Registermyskil.com. Los compradores originales también deben conservar el recibo como comprobante de compra. EL PERÍODO DE GARANTÍA DE CINCO AÑOS PARA HERRAMIENTAS ESTÁ CONDICIONADA POR EL REGISTRO DEL PRODUCTO DENTRO DE LOS 30 DÍAS DE REALIZADA LA COMPRA. Si los compradores originales no registran el producto de manera oportuna, se aplicará la garantía limitada anterior durante tres años para las herramientas eléctricas. Todas las baterías y los cargadores permanecerán bajo la garantía limitada de dos años.

No obstante lo señalado anteriormente, si se usa una herramienta SKIL del consumidor para fines industriales, profesionales o comerciales, se aplicará la garantía anterior durante noventa días, sin considerar el registro.

LA ÚNICA OBLIGACIÓN DEL VENDEDOR Y SU ÚNICA SOLUCIÓN en virtud de esta garantía limitada y, en la medida en que lo permita la ley, cualquier garantía o condición implícita por la ley, será la reparación o el reemplazo, sin cargo, de las piezas que presentan defectos en el material o la mano de obra y que no se hayan usado de manera incorrecta, que no se hayan manejado sin la debida atención o que las hayan reparado personas que no sean el Vendedor o una estación de servicio autorizada. Para exponer un reclamo en virtud de esta garantía limitada, debe devolver el producto completo, con el transporte prepagado, a cualquier centro de servicio de la fábrica SKIL o a cualquier estación de servicio autorizada. Para comunicarse con las estaciones de servicio autorizadas de Skil para reparar su herramienta eléctrica, visite www.Registermyskil.com o llame al 1-877-SKIL-999 (1-877-754-5999).

ESTA GARANTÍA LIMITADA NO SE APLICA A ARTÍCULOS ACCESORIOS, COMO HOJAS DE SIERRA CIRCULAR, BROCAS PARA TALADROS, BROCAS PARA REBAJADORAS, HOJAS DE SIERRA DE VAIVÉN, BANDAS DE LIJADO, DISCOS DE PULIDO Y OTROS ARTÍCULOS RELACIONADOS.

TODA GARANTÍA IMPLÍCITA APLICABLE A UN PRODUCTO DEBE ESTAR LIMITADA A LA MISMA DURACIÓN QUE LA DURACIÓN DE LAS GARANTÍAS EXPRESAS APLICABLES A DICHO PRODUCTO, SEGÚN SE ESTABLECIÓ EN EL PRIMER PÁRRAFO. ALGUNOS ESTADOS EN ESTADOS UNIDOS Y ALGUNAS PROVINCIAS EN CANADÁ NO PERMITEN LIMITACIONES SOBRE EL TIEMPO DE DURACIÓN DE UNA GARANTÍA IMPLÍCITA, DE MODO QUE LA LIMITACIÓN ANTES DESCRITA PUEDE QUE NO SE APLIQUE A USTED.

BAJO NINGUNA CIRCUNSTANCIA, EL VENDEDOR SERÁ RESPONSABLE DE DAÑOS ACCIDENTALES O RESULTANTES (INCLUIDA ENTRE OTRAS, LA RESPONSABILIDAD POR PÉRDIDA DE GANANCIAS) QUE SE ORIGINEN DE LA VENTA O EL USO DE ESTE PRODUCTO. ALGUNOS ESTADOS EN ESTADOS UNIDOS Y ALGUNAS PROVINCIAS EN CANADÁ NO PERMITEN LA EXCLUSIÓN O LIMITACIÓN DE DAÑOS ACCIDENTALES O RESULTANTES, DE MODO QUE LA LIMITACIÓN O EXCLUSIÓN ANTERIOR PUEDE QUE NO SE APLIQUE A USTED.

ESTA GARANTÍA LIMITADA LE OTORGA DERECHOS LEGALES ESPECÍFICOS, Y ES POSIBLE QUE TAMBIÉN TENGA OTROS DERECHOS QUE VARÍAN DE UN ESTADO A OTRO EN ESTADOS UNIDOS, DE UNA PROVINCIA A OTRA EN CANADÁ Y DE UN PAÍS A OTRO.

ESTA GARANTÍA LIMITADA SE APLICA SOLAMENTE A PRODUCTOS VENDIDOS EN ESTADOS UNIDOS DE AMÉRICA, CANADÁ Y EL COMMONWEALTH DE PUERTO RICO. PARA TENER UNA COBERTURA DE GARANTÍA EN OTROS PAÍSES, PÓNGASE EN CONTACTO CON SU DISTRIBUIDOR O IMPORTADOR DE SKIL.

