

UNIVERSAL MOUNTING PLATE

⚠ WARNING This universal mounting plate is designed to use only with Skil router table SRT1039. Using this mounting plate with any other router tables presents a risk of injury and property damage.

Some routers can be mounted on the router table using this universal mounting plate. When using the router table, observe the following instructions:

⚠ WARNING ALWAYS turn the motor off and unplug the router and router table from the power source before any assembly, adjustment or installing accessories. Failure to turn the motor off and unplug the router table could result in accidental starting, which can cause serious personal injury.

⚠ WARNING This universal mounting plate with SRT1039 router table is designed to fit the routers listed below. Using this mounting plate with any other routers presents a risk of injury and property damage.

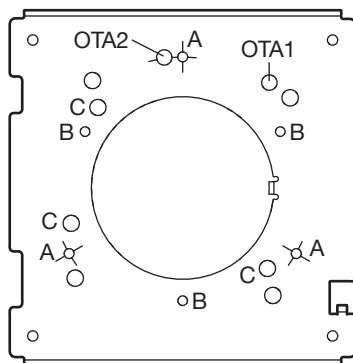
The router mounting plate also features access holes to allow use of the over-table depth adjustment (OTA) feature on certain router models. See below figure for OTA access hole.

OTA1=Over-table depth adjustment 1 with a 5mm double ended wrench for below router models:

- Maximum 054-6810-8
- PERFORMAX 241-1463 and 241-1464

OTA2=Over-table depth adjustment 2 with a 4mm double ended wrench for below router models:

- Skil RT1322-00 and RT1323-00
- Maximum 054-2433-0
- Mastercraft 054-6821-2
- Masterforce 241-0834 and 241-0835



Router Brand	Router Model	Hole Pattern
SKIL	RT1322-00, RT1323-00	A
Mastercraft	054-6821-2, 054-6908-8	A
Maximum	054-6810-8, 054-2433-0	A
Masterforce	241-0834, 241-0835	A
PERFORMAX	241-1463, 241-1464	A
Bosch	MR23EVS	B
Porter Cable	690LR	B
Hitachi	M12VC	B
DeWalt	DW618 (fixed base only)	B
RIDGID	R2200	B
RYOBI	R163G	C

PLAQUE DE MONTAGE UNIVERSELLE

⚠ AVERTISSEMENT Cette plaque de montage universelle est conçue pour être utilisée uniquement avec la table à toupie SKIL SRT1039. L'utilisation de cette plaque de montage avec toute autre table à toupie présente un risque de blessures et de dommages matériels.

Certaines toupies peuvent être montées sur la table à toupie en utilisant cette plaque de montage universelle. Lorsque vous utilisez la table à toupie, observez les instructions suivantes :

⚠ AVERTISSEMENT Éteignez TOUJOURS le moteur et débranchez la toupie et la table à toupie de la source d'alimentation avant d monter, de régler ou d'installer des accessoires. Si vous n'éteignez pas le moteur et si vous ne débranchez pas la table à toupie, vous risqueriez de causer un démarrage accidentel qui pourrait entraîner des blessures graves.

⚠ AVERTISSEMENT Cette plaque de montage universelle avec la table à toupie SRT1039 est conçue pour être compatible avec les toupies indiquées ci-dessous. L'utilisation de cette plaque de montage avec de quelconques autres toupies présente un risque de blessures et de dommages matériels.

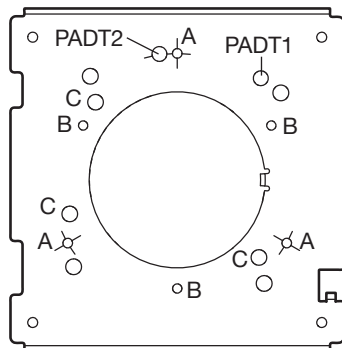
La plaque de montage de toupie comporte également des trous d'accès qui permettent d'utiliser la fonctionnalité de réglage de la profondeur au-dessus de la table (RPADT) sur certains modèles de toupies. Référez-vous à la figure ci-dessous pour les trous d'accès de RPADT.

RPADT 1 = Réglage de la profondeur au-dessus de la table 1 avec une clé double de 5 mm pour les modèles de toupies ci-dessous :

- Maximum 054-6810-8
- PERFORMAX 241-1463 et 241-1464

RPADT 2 = Réglage de la profondeur au-dessus de la table 2 avec une clé double de 4 mm pour les modèles de toupies ci-dessous :

- SKIL RT1322-00 et RT1323-00
- Maximum 054-2433-0
- Mastercraft 054-6821-2
- Masterforce 241-0834 et 241-0835



Marque de toupie	Modèle de toupie	Configuration des trous
SKIL	RT1322-00, RT1323-00	A
Mastercraft	054-6821-2, 054-6908-8	A
Maximum	054-6810-8, 054-2433-0	A
Masterforce	241-0834, 241-0835	A
PERFORMAX	241-1463, 241-1464	A
Bosch	MR23EVS	B
Porter Cable	690LR	B
Hitachi	M12VC	B
DeWalt	DW618 (base fixe seulement)	B
RIDGID	R2200	B
RYOBI	R163G	C

PLACA DE MONTAJE UNIVERSAL

⚠️ ADVERTENCIA Esta placa de montaje universal está diseñada para utilizarse solo con la mesa de fresadora SKIL SRT1039. La utilización de esta placa de montaje con cualquier otra mesa de fresadora presenta un riesgo de lesiones y daños materiales.

Algunas fresadoras se pueden montar en la mesa de fresadora utilizando esta placa de montaje universal. Cuando utilice la mesa de fresadora, siga las instrucciones que se indican a continuación:

⚠️ ADVERTENCIA Apague SIEMPRE el motor y desenchufe la fresadora y la mesa de fresadora de la fuente de alimentación antes de realizar cualquier ensamblaje o ajuste, o instalar accesorios. En el caso de no apagar el motor y no desenchufar la mesa de fresadora, el resultado podría ser un arranque accidental, lo cual puede causar lesiones corporales graves.

⚠️ ADVERTENCIA Esta placa de montaje universal con mesa de fresadora SRT1039 está diseñada para ser compatible con las fresadoras que se indican a continuación. La utilización de esta placa de montaje con cualquier otra fresadora presenta un riesgo de lesiones y daños materiales.

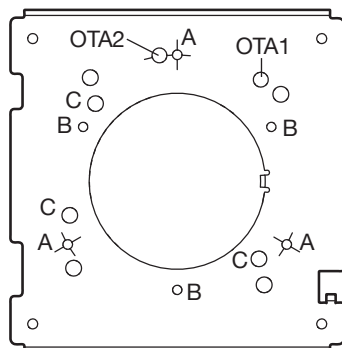
La placa de montaje de la fresadora también cuenta con agujeros de acceso para permitir el uso de la función de ajuste de profundidad sobre la mesa (OTA, por sus siglas en inglés) en ciertos modelos de fresadora. Vea la figura que aparece a continuación para el agujero de acceso OTA.

OTA1=Ajuste de profundidad sobre la mesa 1 con una llave de dos bocas de 5 mm para los modelos de fresadora que se indican a continuación:

- Maximum 054-6810-8
- PERFORMAX 241-1463 y 241-1464

OTA2=Ajuste de profundidad sobre la mesa 2 con una llave de dos bocas de 4 mm para los modelos de fresadora que se indican a continuación:

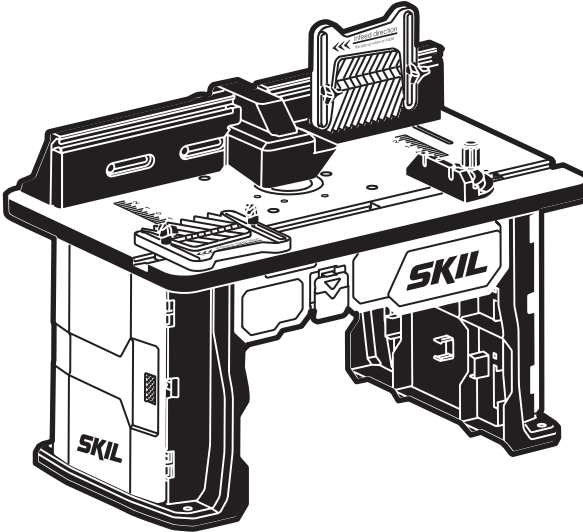
- SKIL RT1322-00 y RT1323-00
- Maximum 054-2433-0
- Mastercraft 054-6821-2
- Masterforce 241-0834 y 241-0835



Marca de fresadora	Modelo de fresadora	Patrón de agujeros
SKIL	RT1322-00, RT1323-00	A
Mastercraft	054-6821-2, 054-6908-8	A
Maximum	054-6810-8, 054-2433-0	A
Masterforce	241-0834, 241-0835	A
PERFORMAX	241-1463, 241-1464	A
Bosch	MR23EVS	B
Porter Cable	690LR	B
Hitachi	M12VC	B
DeWalt	DW618 (solo modelos de base fija)	B
RIDGID	R2200	B
RYOBI	R163G	C

SKIL®

Owner's Manual
Guide d'utilisation
Manual del propietario



Model/ Modelo/ Modèle: SRT1039

Router Table Table à Toupie Mesa de Fresado

⚠ WARNING: To reduce the risk of injury, the user must read and understand the Owner's Manual before using this product. Save these instructions for future reference.

⚠ AVERTISSEMENT : Afin de réduire les risques de blessure, l'utilisateur doit lire et comprendre le guide d'utilisation avant d'utiliser cet article. Conservez le présent guide afin de pouvoir le consulter ultérieurement.

⚠ ADVERTENCIA : Para reducir el riesgo de lesiones, el usuario debe leer y comprender el Manual del operador antes de utilizar este producto. Guarde estas instrucciones para consultarlas en caso sea necesario.



For Customer Service
Pour le service à la clientèle
Servicio al cliente

1-877-SKIL-999 OR **www.skil.com**

TABLE OF CONTENTS

General Safety Warning for Bench Tools	3
Specific Safety Warnings for the Router Table	4-5
Improper Fence Location and Workpiece Feed	6
Important Information about Extension Cords	6
Grounding Instructions	7
Symbols	8-11
Parts List	12-13
Get To Know Your Router Table	14
Specifications	14
Router Table Setup	15-20
Router Table Operation	21-22
General Routing Operations With The Router Table	23-26
Maintenance	27
Limited Warranty of SKIL Consumer Corded Power Tools	28

WARNING

- Some dust created by power sanding, sawing, grinding, drilling and other construction activities contains chemicals known to the State of California to cause cancer, birth defects or other reproductive harm. Some examples of these chemicals are:
 - Lead from lead-based paints.
 - Crystalline silica from bricks, cement, and other masonry products.
 - Arsenic and chromium from chemically-treated lumber.
- Your risk from these exposures varies, depending upon how often you do this type of work. To reduce your exposure to these chemicals:
 - Work in a well-ventilated area.
 - Work with approved safety equipment, such as dust masks that are specially designed to filter out microscopic particles.
 - Avoid prolonged contact with dust from power sanding, sawing, grinding, drilling, and other construction activities. Wear protective clothing and wash exposed areas with soap and water. Allowing dust to get into your mouth or eyes or to lie on the skin may promote absorption of harmful chemicals.

GENERAL SAFETY WARNINGS FOR BENCH TOOLS

Keep guards in place and in working order.

Remove adjusting keys and wrenches. Form a habit of checking to see that keys and adjusting wrenches are removed from the tool before turning it on.

Keep the work area clean. Cluttered areas and benches invite accidents.

Don't use in a dangerous environment. Don't use power tools in damp or wet locations or expose them to rain. Keep the work area well lit.

Keep children away. All visitors should be kept a safe distance from the work area.

Make workshop childproof with padlocks and master switches, or by removing starter keys.

Don't force tool. It will do the job better and safer at the rate for which it was designed.

Use the right tool. Don't force tool or attachment to do a job for which it was not designed.

Wear proper apparel. Do not wear loose clothing, gloves, neckties, rings, bracelets, or other jewelry which may get caught in moving parts. Nonslip footwear is recommended.

Wear protective hair covering to contain long hair.

Always use safety glasses. Also use a face or dust mask if the cutting operation is dusty. Everyday eyeglasses only have impact resistant lenses. They are NOT safety glasses.

Secure work. Use clamps or a vise to hold work when practical. It's safer than using your hand and it frees both hands to operate the tool.

Don't overreach. Keep proper footing and balance at all times.

Maintain tools with care. Keep tools sharp and clean for the best and safest performance.

Follow instructions for lubricating and changing accessories.

Disconnect tools before servicing or when changing accessories, such as blades, bits, cutters, and the like.

Reduce the risk of unintentional starting. Make sure switch is in the off position before plugging in.

Use recommended accessories. Consult the owner's manual for recommended accessories. The use of improper accessories may cause risk of injury to persons.

Never stand on the tool. Serious injury could occur if the tool is tipped or if the cutting tool is unintentionally contacted.

Check damaged parts. Before further use of the tool, a guard or other part that is damaged should be carefully checked to determine whether it will operate properly and perform its intended function. Check for alignment of moving parts, binding of moving parts, brakeage of parts, mountings, and any other condition that may affect tool's operation. A guard or other part that is damaged should be properly repaired or replaced.

Direction of feed. Feed work into a blade or cutter only against the direction of rotation of the blade or cutter.

Never leave a tool running unattended. Turn power off. Don't leave the tool until it comes to a complete stop.

SPECIFIC SAFETY WARNINGS FOR THE ROUTER TABLE

For your own safety, read owner's manual before using Router or Router Table.

Always wear eye protection.

Lift router table only by the table edges. Lifting table by any other surface could cause personal injury.

Do not use the router table until all assembly and installation steps have been completed. Prior to each use, verify that fasteners and the router clamps are tight. A loose table or router is unstable and may shift in use, resulting in property damage or serious personal injury.

Disconnect the router from the power supply before installing router into the table, making adjustments, changing accessories, removing the router from the table, performing maintenance, or storing the tool. Such precautionary safety measures reduce the risk of unintentional tool operation.

Do not plug router motor power cord into standard wall outlet. Always plug router cord into the router table switch box. Power tool switches and controls need to be within your reach in emergency situations.

Do not permit fingers to touch terminals on the plug when inserting or removing plug from the outlet. Risk of Electric Shock.

Before connecting router or vacuum to router table switch box, ensure that the router or vacuum switch is off and that the router table switch box is unplugged. Such precautionary safety measures reduce the risk of unintentional tool operation.

Before using the router table, verify that the router is securely clamped to the router table base. While working, periodically check the router base fastener clamping tightness. Vibrations from cutting operations can cause router motor clamps to loosen and the router motor may fall from the table.

Before starting to work, ensure that the power cords from the router accessories, the switch box, and the extension cord do not and cannot come in contact with the router or any moving parts of the router. Such precautionary safety measures reduce the risk of injury due to loss of control.

Do not use the router table without the overhead guard unless required by a particular cutting operation. Replace the guard immediately after completion of cutting operation. Remove all dust, chips, and any other foreign particles that can affect its function. The guard will aid in keeping hands from unintended contact with the rotating bit.

Do not use bits that have a cutting diameter that exceeds the clearance hole in the tabletop insert plate or insert rings. The bit could contact the insert plate or insert ring, throwing fragments.

Never use dull or damaged bits. Damaged bits can snap during use. Dull bits require more force to push the workpiece, possibly causing the bit to break or the material to kick back.

Handle sharp bits with care. Such precautionary safety measures reduce risk of injury.

Do not alter insert ring or insert plate bit hole. Match the cutting diameter of the bit to the inner diameter of the insert ring or insert plate bit hole such that the difference is no less than 1/16" (1.6mm) on a side. Insert rings are meant to reduce the gap between the cutting diameter of the bit and the table so that workpieces maintain full support of the table while routing.

Install bit in accordance with instructions in the router manual. Securely clamp the router bit in the collet chuck before making any cuts. Securing the bit before cutting reduces the risk of the bit becoming loose during operation.

Never place your fingers near a spinning bit or under the guard when the router is plugged in. Such precautionary safety measures reduce the risk of injury.

Never hold the workpiece on the outfeed side of the bit. Pressing the workpiece against the outfeed side of the fence may cause material binding and possible kickback, pulling your hand into the bit.

Guide the workpiece with the fence to maintain control of the workpiece. Do not place the workpiece between the router bit and fence while routing the edge. This placement will cause the material to become wedged, making kickback possible.

Only use routers for working with wood, wood-like products, plastic, or laminates. Do not use router and router table for cutting or shaping metals. Be sure workpiece does not contain nails or other hard objects. Cutting nails may cause loss of control of the tool or workpiece.

Never start the tool when the bit is engaged in the material. The bit-cutting edge may grab the material, causing loss of control of the workpiece.

Feed the workpiece only against the rotation of the bit. Do not “back feed” the workpiece into the bit. The bit rotates counterclockwise as viewed from the top of the table. “Back feeding” will cause the workpiece to “climb” up on the bit, pulling the workpiece and possibly your hands into the rotating bit.

Do not feed the workpiece into the bit where the majority of the workpiece is between the fence and the bit. This creates a “fence trap” which is a hazardous situation due to the bit being exposed. This will cause the work to “climb-cut” away from the tabletop and may lead to loss of control during operation.

Do not cut material that is warped, wobbly, or otherwise unstable. The router table is designed to cut flat, straight, and squared materials. If the material is slightly curved but otherwise stable, cut the material with the concave side against the table or fence. Cutting the material with the concave side up or away from the table may cause the warped or wobbly material to roll and kick back, causing the user to lose control.

Use auxiliary infeed and outfeed supports for long or wide workpieces. Oversize workpieces without adequate support can flip off the table or cause the table to tip.

Use push stick, vertically and horizontally mounted featherboards (spring sticks), and other jigs to hold down the workpiece. Push sticks, featherboards, and jigs eliminate the need to hold the workpiece near the spinning bit.

Never let go of the workpiece when routing until the cut has been completed and the workpiece is completely clear of the bit. Such precautionary safety measures reduce the risk of injury and property damage. Featherboards aid in holding the workpiece in position when routing on a router table. They are not intended to hold the workpiece in place alone when the workpiece is in contact with the bit, or at any other time when the bit is turning.

Always hold the workpiece against the router table fence when routing. Such precautionary measures increase accuracy in routing and improve control of the workpiece, reducing the risk of injury.

Never leave the router unattended while it is running or before it comes to a complete stop. Such precautionary safety measures reduce the risk of injury and property damage.

Do not use the table as a workbench or work surface. Using it for purposes other than routing may cause damage and make it unsafe to use in routing.

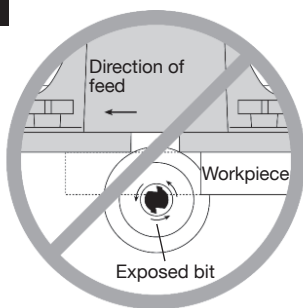
Never stand on the table or use as a ladder or scaffolding. The table could tip or the cutting tool could be accidentally contacted.

When servicing the tool, use only recommended SKIL replacement parts. Use of unauthorized parts or failure to follow maintenance instructions can result in personal injury.

IMPROPER FENCE LOCATION AND WORKPIECE FEED

⚠ WARNING Do not feed the workpiece where the majority of the workpiece is between the fence and the bit. This creates a “fence trap” which is dangerous for two reasons:

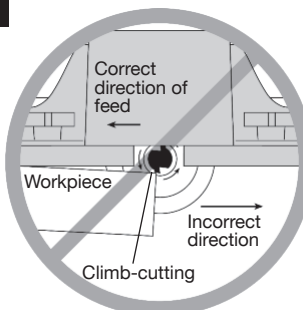
Fig. A



- The front of the bit is exposed during the cutting operation (Fig. A).
- The bit can “Climb-cut,” where the bit enters the workpiece in the same direction as the feed direction. This is likely to cause the workpiece to “climb” away from the tabletop and may lead to loss of control during operation (Fig. A).

⚠ WARNING Feed the workpiece only against the rotation of the bit. Do not “back feed” the work into the bit. The bit rotates counterclockwise as viewed from the top of the table. “Back feeding” the work is dangerous for two reasons:

Fig. B



- It will cause climb-cutting where the workpiece can “climb” off the tabletop in the direction of the bit rotation, pulling the workpiece and possibly your hands into the rotating bit (Fig. B).
- It is difficult to keep the workpiece against the fence face as the bit rotation will push the workpiece away from the fence.

IMPORTANT INFORMATION ABOUT EXTENSION CORDS

⚠ WARNING An extension cord with adequate size conductors that is capable of carrying the current for your tool must be used. This will prevent excessive voltage drop, loss of power, or overheating. Grounded tools must use 3-wire extension cords that have 3-prong plugs and receptacles.

NOTE: The smaller the gauge number, the heavier the cord.

RECOMMENDED SIZES OF EXTENSION CORDS FOR 120-VOLT ALTERNATING CURRENT TOOLS

Tool's Ampere Rating	Cord Size in A.W.G				Wire Size in mm ²			
	Cord Length in Feet				Cord Length in Meters			
	25	50	100	150	15	30	60	120
3-6	18	16	16	14	0.75	0.75	1.5	2.5
6-8	18	16	14	12	0.75	1.0	2.5	4.0
8-10	18	16	14	12	0.75	1.0	2.5	4.0
10-12	16	16	14	12	1.0	2.5	4.0	-
12-16	14	12	-	-	-	-	-	-

GROUNDING INSTRUCTIONS

In the event of a malfunction or breakdown, grounding provides a path of least resistance for electric current to reduce the risk of electric shock. This tool is equipped with an electrical cord that has an equipment-grounding conductor and a grounding plug. The plug must be plugged into a matching outlet that is properly installed and grounded in accordance with all local codes and ordinances.

Do not modify the plug provided. If it will not fit into the outlet, have the proper outlet installed by a qualified electrician.

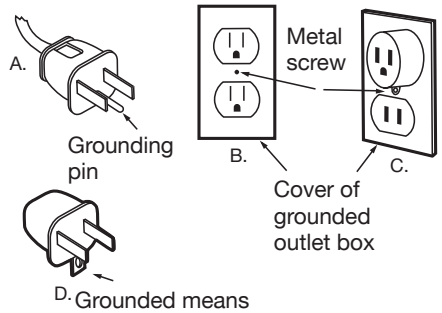
Improper connection of the equipment-grounding conductor can result in a risk of electric shock. The conductor with insulation that has an outer surface that is green with or without yellow stripes is the equipment-grounding conductor. If repair or replacement is necessary, do not connect the equipment-grounding conductor to a live terminal.

Check with qualified electrician or service personnel if the grounding instructions are not completely understood, or if in doubt as to whether the tool is properly grounded.

Use only 3-wire extension cords that have 3-prong grounding plugs and 3-pole receptacles that accept the tool's plug.

Repair or replace damaged or worn cord immediately.

This tool is intended for use on a circuit that has an outlet (sketch B). The tool has a grounding pin (sketch A). A temporary adapter (sketches C and D) may be used to connect this plug to a 2-pole receptacle (sketch C), if a properly grounded outlet is not installed by a qualified electrician. The green-colored rigid ear, lug, and the like, extending from the adapter must be connected to a permanent ground, such as a properly grounded outlet.







SYMBOLS

Safety Symbols

The purpose of safety symbols is to attract your attention to possible dangers. The safety symbols and the explanations with them deserve your careful attention and understanding. The symbol warnings do not, by themselves, eliminate any danger. The instructions and warnings they give are no substitutes for proper accident prevention measures.

⚠ WARNING Be sure to read and understand all safety instructions in this Owner's Manual, including all safety alert symbols such as **"DANGER"**, **"WARNING"**, and **"CAUTION"** before using this tool. Failure to following all instructions listed below may result in electric shock, fire, and/or serious personal injury.

The definitions below describe the level of severity for each signal word. Please read the manual and pay attention to these symbols.	
	This is the safety alert symbol. It is used to alert you to potential personal injury hazards. Obey all safety messages that follow this symbol to avoid possible injury or death.
	DANGER indicates a hazardous situation which, if not avoided, will result in death or serious injury.
	WARNING indicates a hazardous situation which, if not avoided, could result in death or serious injury.
	CAUTION, used with the safety alert symbol, indicates a hazardous situation which, if not avoided, will result in minor or moderate injury.

Damage Prevention and Information Messages

These inform the user of important information and/or instructions that could lead to equipment or other property damage if they are not followed. Each message is preceded by the word "NOTICE", as in the example below:



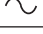

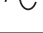




NOTICE: Equipment and/or property damage may result if these instructions are not followed.






⚠ WARNING The operation of any power tools can result in foreign objects being thrown into your eyes, which can result in severe eye damage. Before beginning power tool operation, always wear safety goggles or safety glasses with side shields and a full face shield when needed. We recommend a Wide Vision Safety Mask for use over eyeglasses or standard safety glasses with side shields. Always use eye protection which is marked to comply with ANSI Z87.1.

SYMBOLS (CONTINUED)







IMPORTANT: Some of the following symbols may be used on your tool. Please study them and learn their meaning. Proper interpretation of these symbols will allow you to operate the tool better and more safely.

Symbol	Name	Designation/Explanation
V	Volts	Voltage (potential)
A	Amperes	Current
Hz	Hertz	Frequency (cycles per second)
W	Watt	Power
kg	Kilograms	Weight
min	Minutes	Time
s	Seconds	Time
Wh	Watt-hours	Battery capacity
Ah	Ampere-hours	Battery capacity
\varnothing	Diameter	Size of drill bits, grinding wheels, etc.
n_0	No load speed	Rotational speed, at no load
n	Rated speed	Maximum attainable speed
.../min	Revolutions or reciprocations per minute (rpm)	Revolutions, strokes, surface speed, orbits, etc. per minute
O	Off position	Zero speed, zero torque...
1,2,3,... I,II,III,	Selector settings	Speed, torque, or position settings. Higher number means greater speed
	Infinitely variable selector with off	Speed is increasing from 0 setting
	Arrow	Action in the direction of arrow
	Alternating current (AC)	Type or a characteristic of current
	Direct current (DC)	Type or a characteristic of current
	Alternating or direct current (AC / DC)	Type or a characteristic of current
	Class II tool	Designates Double Insulated Construction tools.
	Protective earth	Grounding terminal
	Li-ion RBRC seal	Designates Li-ion battery recycling program
	Read the instructions	Alerts user to read manual

Symbol	Name	Designation/Explanation
	Wear eye protection symbol	Alerts user to wear eye protection
	Always operate with two hands	Alerts user to always operate with two hands
	Do not use the guard for cut-off operations	Alerts user not to use the guard for cut-off operations

SYMBOLS (CERTIFICATION INFORMATION)

IMPORTANT: Some of the following symbols for certification information may be used on your tool. Please study them and learn their meaning. Proper interpretation of these symbols will allow you to operate the tool better and more safely.

Symbol	Designation/Explanation
	This symbol designates that this tool is listed by Underwriters Laboratories.
	This symbol designates that this component is recognized by Underwriters Laboratories.
	This symbol designates that this tool is listed by Underwriters Laboratories, to United States and Canadian Standards.
	This symbol designates that this tool is listed by the Canadian Standards Association.
	This symbol designates that this tool is listed by the Canadian Standards Association, to United States and Canadian Standards.
	This symbol designates that this tool is listed by the Intertek Testing Services, to United States and Canadian Standards.

PARTS LIST

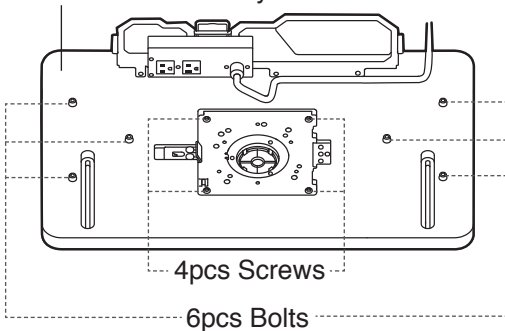
Refer to parts list below.

⚠ WARNING If **ANY** of the parts are missing, **DO NOT** attempt to assemble, install, or use your router table until the missing parts have been found or replaced and your router table has been properly and correctly assembled per this manual.

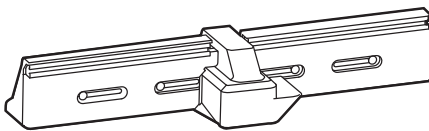
- **For missing parts or technical assistance, call 1-877-SKIL-999.**
- In order to simplify handling and to minimize any damage that may occur during shipping, your router table comes mostly assembled. Repositioning of some parts will be required.
- Separate all parts from the packaging materials and check each part against the illustrations and the parts list to make sure that all parts have been included. Do this before discarding any of the packaging material.

Item	Description	Quantity
A	Router table assembly (including 6pcs pre-assembled bolts and 4pcs pre-assembled screws)	1
B	Left and right table legs	1
C	Fence assembly	1
D	Featherboard assembly for fence	1
E	Featherboard assembly with a slide bar for tabletop surface	1
F	Miter gauge assembly	1
G	Insert ring set (3 rings per set)	
G-1	Insert ring w/ \varnothing 11/16" (17.5mm) hole	1
G-2	Insert ring w/ \varnothing 1-1/4" (32mm) hole	1
G-3	Insert ring w/ \varnothing 1-3/4" (44.5mm) hole	1
H	Starter pin	1
I	5mm combination wrench (hex/ Phillips)	1

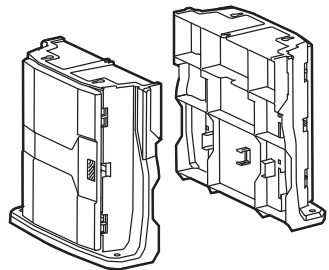
Router Table Assembly



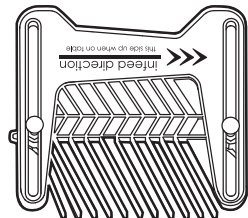
A



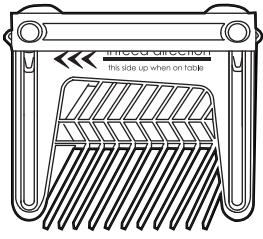
C



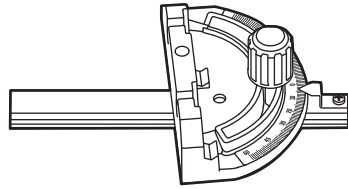
B



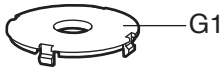
D



E



F



G1



G2



G3

G



H



I

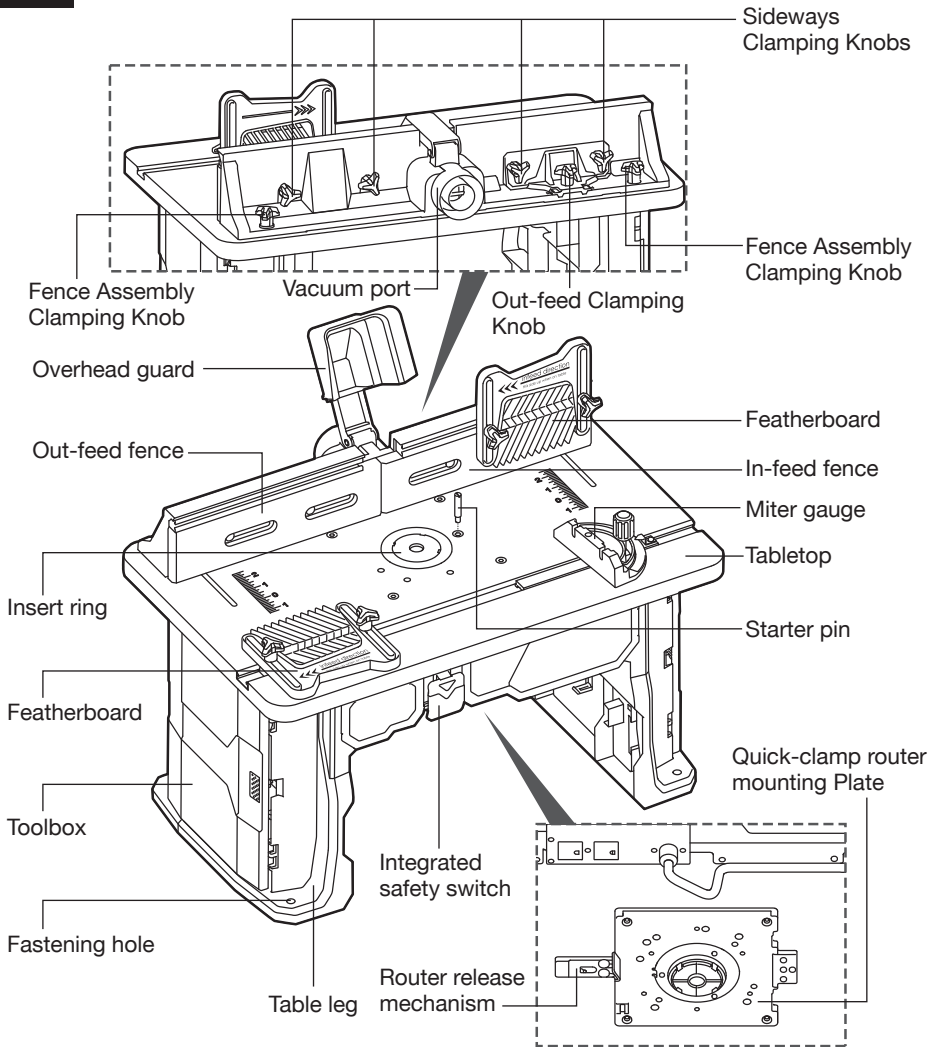
Tools Needed (Not Supplied)



4mm Hex Wrench

GETTING TO KNOW YOUR ROUTER TABLE

Fig. 1



SPECIFICATIONS

Model No.	SRT1039
Rating	120V~,60Hz,15A
Table size	26"x16"x14" (66x40.6x35.6 cm)
Miter slot	3/4" (19 mm)
Fence length	24" (60.96 cm)
Maximum Cutter Diameter	1-5/8" (41.3 mm)

ROUTER TABLE SETUP

⚠ WARNING Always unplug the router table before attaching accessories or making any adjustment.

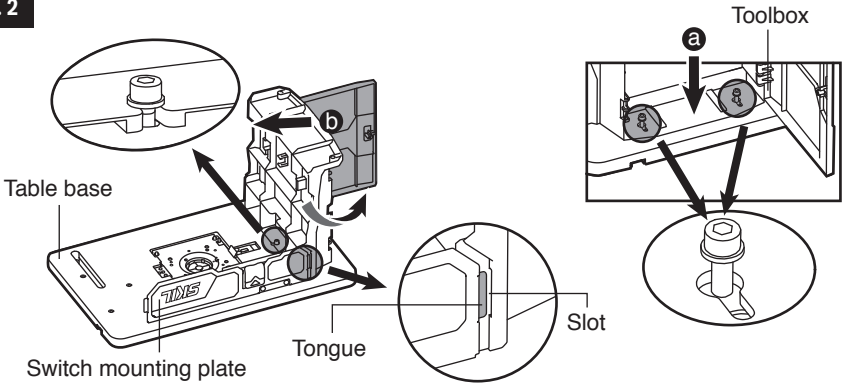
Attaching the Legs to the Table (Fig. 2)

NOTE: The router table assembly has six hex socket bolts pre-installed on the table base for attaching the two table legs.

1. Place the router table assembly upside down on a flat, level surface.
2. Loosen the three bolts on the right side of the table base.
3. Open the toolbox door and lower one of the legs onto the table base as shown. Make sure that two bolts are inserted through the two holes in the toolbox.
4. Push the leg towards the center of the table, until the third bolt is inserted into the slot at the center of the inner side of the leg. At the same time make sure that the tongue of the switch mounting plate fits into the slot of the leg.
5. Tighten the three securing bolts with the included 5mm combination wrench.
6. Repeat the above process with the other table leg.

NOTE: The opening direction of both toolboxes should be on the side of the integrated safety switch.

Fig. 2

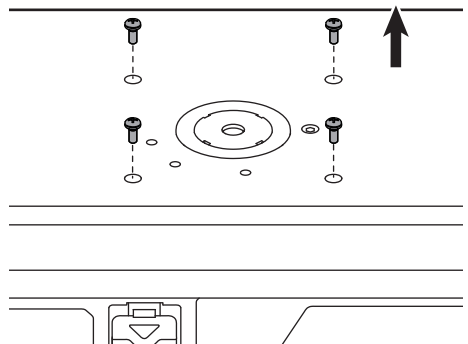


Removing the Quick-Clamp Router Mounting Plate from the Table Base (Fig. 3a and 3b)

This router table includes a quick-clamp router mounting system, which has been pre-installed at the factory prior to shipment.

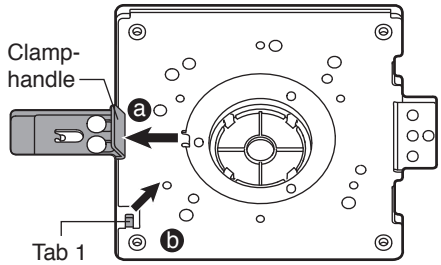
1. Using the included 5mm combination wrench, loosen and remove the four Phillips screw assemblies which are securing the mounting plate to the table (Fig. 3a). Save the bolts for future use.

Fig. 3a



- Place the router table assembly upside down on a flat, level surface (Fig. 3b).
- Push the clamp-handle to the left to open the router release mechanism (a).
- Lift up the Tab 1 on the mounting plate to remove it from the table base (b).

Fig. 3b



Attaching the Quick-Clamp Mounting Plate to the SKIL Routers RT1322-00 (Fixed Base Only) and RT1323-00

⚠ WARNING Disconnect the router from the power supply before installing router into the table, making adjustments, changing accessories, removing the router from the table, performing maintenance, or storing the tool. Such precautionary safety measures reduce the risk of unintentional tool operation.

- Place the router upside down so that it is resting on its top cap (Fig. 4a)
- Remove the plastic subbase from your router by removing the three screws using the included 5mm combination wrench. Keep the three screws to be used in the future step 4.

NOTE: If you wish to mount the router with the subbase, you may need to purchase longer fasteners. Using the subbase reduces the range of the cutting depth.

- If you want to use a vacuum during your work, this is a convenient time to install the vacuum adaptor on the router. See your router manual for the information about the vacuum adaptor assembly.
- Align the three mounting plate holes with the router base holes, also make sure to align the depth-adjustment rod on the router with the depth-adjustment hole on the mounting plate.
- Securely mount the quick-clamp mounting plate to your router using the three screws from Step 2 (Fig. 4b).
- Always make sure the screws are fully seated on the mounting plate and the router base is firmly against the mounting plate to ensure secure mounting.

NOTE: The Mounting plate must be mounted with the Tab 2 facing up.

Fig. 4a

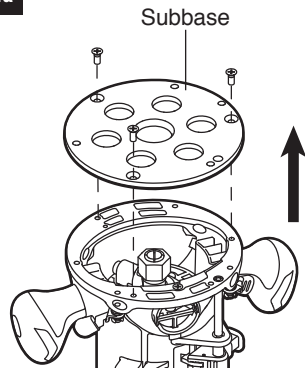
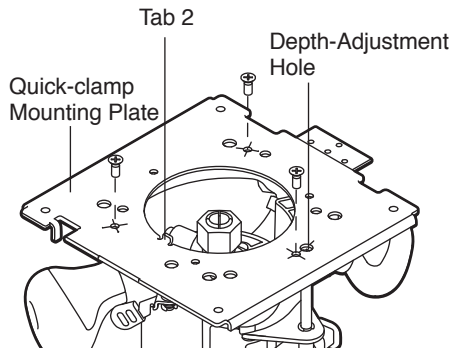


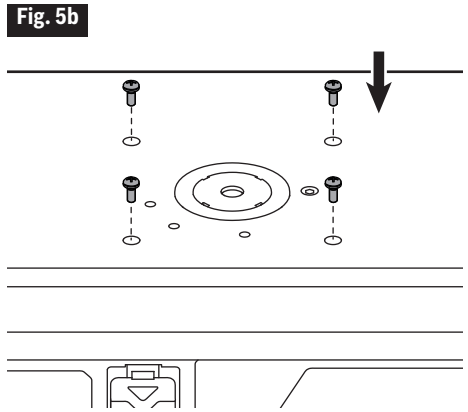
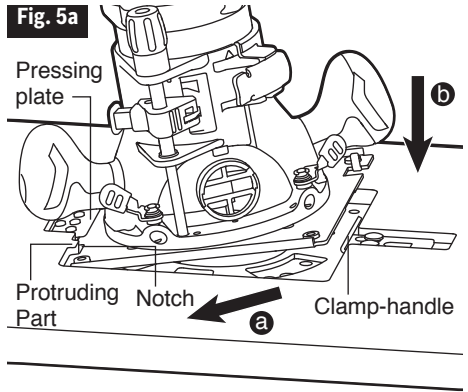
Fig. 4b



Installing the Quick-Clamp Mounting Plate and Router to the Router Table

⚠ WARNING Before using the router table, verify that the router is securely clamped in the router table base. While working, periodically check the router base fasteners clamping tightness. Router motor vibration can loosen fasteners during use, causing the router to fall from the table.

1. Place the router table assembly upside down on a flat, level surface.
2. Align the notches on the mounting plate with the protruding parts on the table base, then insert the edge of the mounting plate (with two notches) under the pressing plate on the table base (Fig. 5a).
3. Put down the mounting plate slowly until its right edge is against the clamp-handle of the router release mechanism and seats flat on the table base. The clamp-handle will snap in place to lock the mounting plate automatically.
4. Flip the router table upright, with the legs standing on a flat, level surface.
5. Align the four holes on the tabletop with the holes on the mounting plate.
6. Insert the four Phillips screw assemblies through the four holes in the router tabletop surface and the holes in the mounting plate. Securely tighten the screws with the 5mm combination wrench (Fig. 5b).

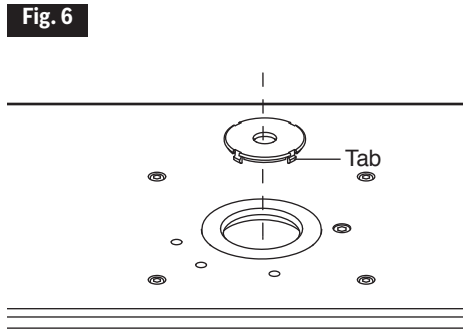


Installing the Insert Ring (Fig.6)

This router table includes three tabletop insert rings with the following different opening diameters: (G-1) 11/16" (17.5mm) opening diameter, (G-2) 1-1/4" (32mm) opening diameter and (G-3) 1-7/8" (44.5mm) opening diameter.

⚠ WARNING Insert rings are meant to reduce the gap between the cutting diameter of the bit and table so that workpieces maintain full support of the table while routing. The proper size insert ring depends on the size and shape of the cutter. When inserted, the insert ring opening should be within 1/4" (6.3mm) of the outermost edge of the cutter.

⚠ WARNING Do not alter insert ring or insert plate bit hole. Match the cutting diameter of the bit to the inner diameter of the insert ring or insert plate bit hole such that the difference is no less than 1/16" (1.6mm) on a side.



⚠ WARNING Do not use the router table with bits over 1-3/4" (44.5mm) in diameter. Bits larger than 1-3/4" can contact insert plate or insert ring, throwing fragments.

The insert ring should fit into the tabletop hole completely. Use a fine file or emery board to remove excess plastic or rough edges that may cause the insert ring to protrude above the table surface.

1. Select the insert ring that best accommodates the router bit to be used.
2. Position the insert ring over the insert opening in the router table.
3. Press down evenly over the tabs until the insert ring locks into place.
4. To remove, pull up gently until the tabs disengage. When not in use, store insert rings in one of the toolboxes or another convenient place.

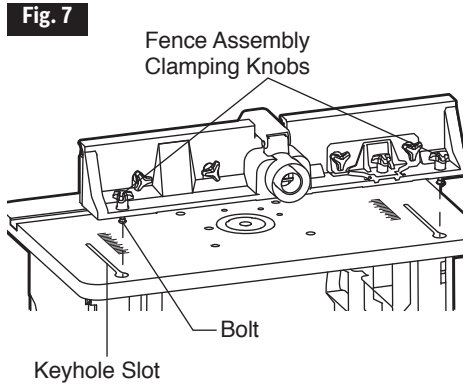
⚠ WARNING Do not use, attempt to change, or remove tabletop insert rings from the table unless the router is off and unplugged. Such precautionary safety measures reduce the risk of unintentional tool operation.

Attaching the Fence Assembly to the Tabletop (Fig. 7)

The fence comes pre-assembled. Loosen the two fence assembly clamping knobs but don't remove them from the two bolts before attaching the fence assembly to the tabletop.

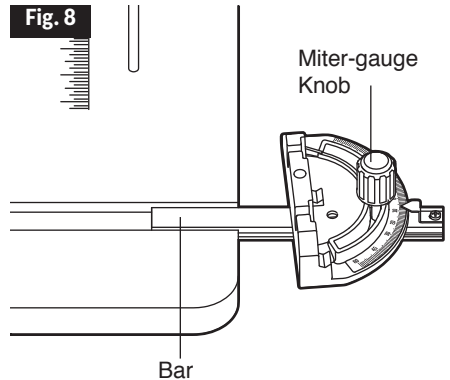
1. Attach the fence to the tabletop by inserting the two round-head, square-neck bolts on the fence into the holes of the keyhole slots on the tabletop, making sure the bolt heads are below the inner surface of the tabletop and can slide freely within the keyhole slot.
2. Tighten the fence assembly clamping knobs to secure the fence assembly in the desired position.

NOTE: Use the scale on the tabletop as a guide when aligning the fence for routing operations. Once the fence is positioned and aligned correctly, tighten the fence assembly clamping knobs **SECURELY**.



Attaching the Miter Gauge (Fig. 8)

1. Attach the miter gauge to the table by sliding the miter-gauge bar into the slot on the table.
2. To adjust the miter angle, loosen the miter gauge knob, rotate the miter gauge to the desired angle and tighten the knob again.



Attaching the Featherboards

NOTE: The front and back side of each featherboard is marked to indicate the proper feed direction.

The featherboards come pre-assembled. Loosen but do not remove the large clamping knobs from each bolt.

Attach the featherboard (without the slide bar) to the fence

1. Attach the featherboard to the fence by inserting the two round-head, square-neck bolts into the slot in the fence, making sure the bolt head are snapped into the slot and can slide freely (Fig. 9a).
2. Tighten the large clamping knobs to secure the featherboard to the fence (Fig. 9b).

Fig. 9a

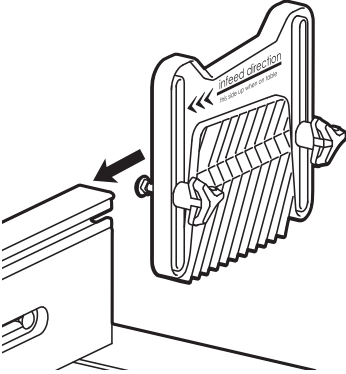
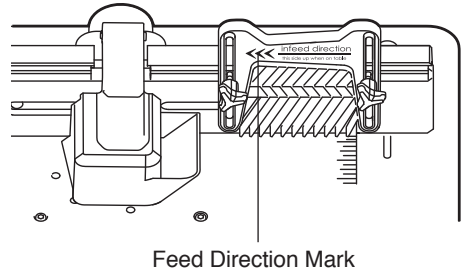


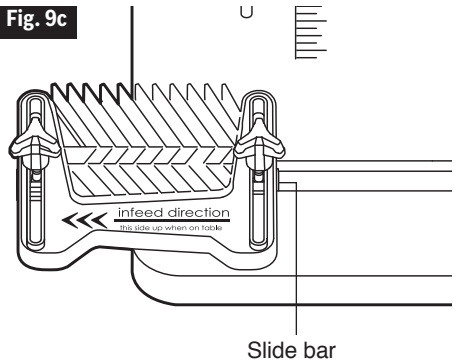
Fig. 9b



Attach the featherboard (with a slide bar) to the tabletop surface (Fig. 9c)

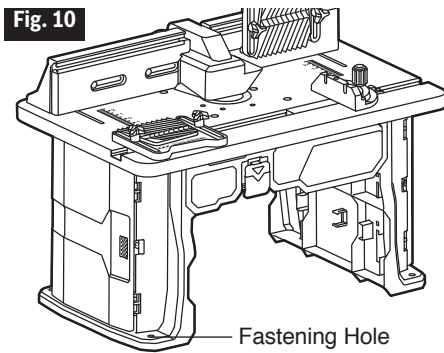
1. Attach the featherboard to the tabletop surface by inserting the slide bar, attached the feather board, into the slot on the table, making sure the slide bar can slide freely within the slot.
2. Tighten the large clamping knobs to secure the feather board to the tabletop.

Fig. 9c



Permanent Attachment to a Workbench (Fig. 10)

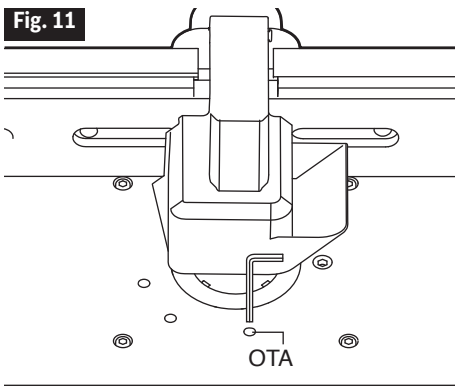
1. Place the router table on a sturdy surface, such as workbench.
2. While holding the router table in place, mark the four locations of the fastening holes in each of the legs onto the work surface.
3. Remove the router table.
4. Drill a $\text{Ø}3/8''\text{-}15/32''$ (9.5mm-12mm) hole into the workbench at each of the four marked locations.
5. Place the router table on the workbench and align the holes in the table legs with the holes in the workbench.
6. Secure the router table to the workbench with four bolts $5/16''$ (M8) x L and nuts (not included).
 - L=2-1/2" (63mm) for 1" thickness of workbench
 - L=3" (76mm) for 1-1/2" thickness of workbench
7. Tighten the bolts securely.



To Adjust the Cutting Depth (Fig. 11)

The router table features a depth-adjustment hole to permit over-table depth adjustment (OTA) for SKIL routers RT1322-00 (fixed base only) and RT1323-00.

1. Loosen the motor clamp on the router.
See your router manuals for the detailed instructions.
2. Insert a 4mm hex wrench (not included) through the depth-adjustment hole and into the depth-adjustment rod of the router, then turn the hex wrench to move the router collet down or up.
3. When the desired cutting depth is set, tighten the motor clamp.



NOTE: See your router manuals for the detailed instructions about the motor clamp operation.

ROUTER TABLE OPERATION

Switch Box Operation

Two receptacles are located at the back of the integrated safety switch. Use one for plugging in the router. The other may be used to plug in a vacuum or a light (not included).

⚠ WARNING To ensure safety and reliability, when one receptacle is used for the router, the capacity of the other receptacle is limited to 3 A. The total current drawn by the two devices must not exceed 15 A.

⚠ WARNING When the router is not being operated, do not energize other tools (such as a vacuum or a light) by the router table switch box.

1. Insert the safety key into the integrated safety switch (Fig. 12a).
2. To turn the switch ON, pull the integrated safety switch up (Fig. 12b).
3. To turn the switch OFF, push the integrated safety switch down (Fig. 12c).

⚠ WARNING Never leave the router unattended while it is running or before it comes to a complete stop.

4. To lock the integrated safety switch in the OFF position, push the integrated safety switch down to turn the tool OFF, then remove the safety key from the switch.

Fig. 12a

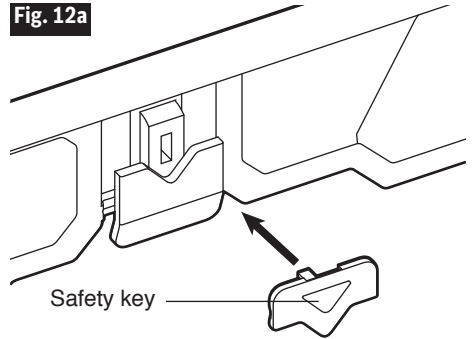


Fig. 12b

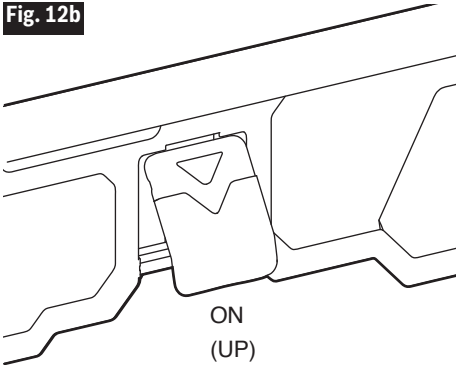
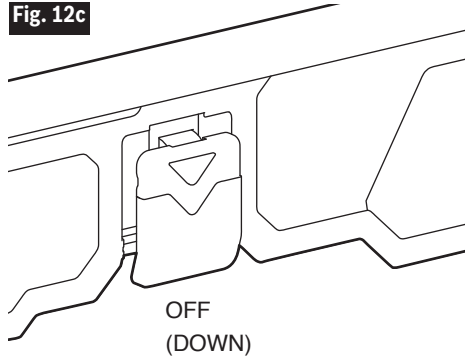


Fig. 12c

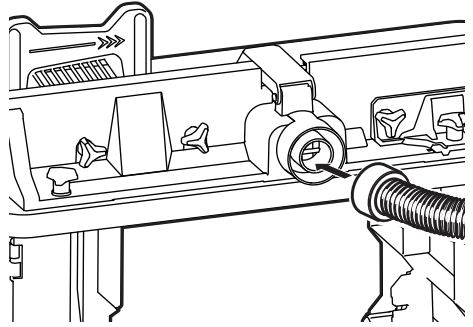


Using a Vacuum (Fig. 13)

The vacuum ports molded into the fence will accept either a 1-1/4 in. or 2-1/2 in. vacuum hose or adapter. Select the vacuum accordingly.

NOTICE: Operating the router table without a vacuum can result in an excessive build-up of sawdust and wood chips under the fence assembly and guard and in the cabinet, reducing the performance of the router table and fence assembly.

Fig. 13



Toolboxes (Fig. 14a and 14b)

Your router table comes with two toolboxes with hinged doors. The toolboxes are permanently mounted to the left and right leg assemblies. Both toolboxes have hinged doors with latching tabs on the front. Please note the toolboxes are an integral part of the leg assemblies and should not be removed.

When not in use, the router bits, insert rings, feather boards, wrench and starter pin can be stored in both toolboxes (Fig. 14a). The miter gauge can be stored at the inner side of either leg (Fig. 14b).

Fig. 14a

Featherboards and storage areas

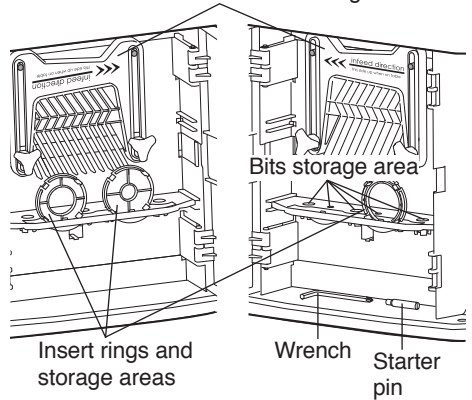
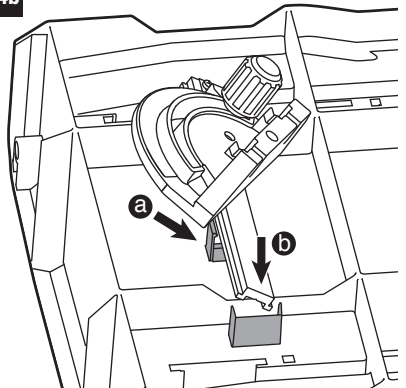


Fig. 14b



GENERAL ROUTING OPERATIONS USING THE ROUTER TABLE

⚠ WARNING

Note that, when installed upside-down in a router table, the direction of cutter bit rotation will be COUNTERCLOCKWISE.

1. Always plug the router into the switch-controlled outlet in the router table. Never plug a table-mounted router into another power source.
2. Make sure that the router table switch is turned off and unplug the router table.
3. Coarsely adjust the cutting depth of the router before attaching it to the table. Use the 4mm hex wrench (not included) for precise depth adjustment over-table after the router is attached to the table.
4. Adjust the fence assembly to support the workpiece to be cut.
5. Set the ON/OFF switch on the router to the ON position.
6. Reconfirm that all router adjustments are securely locked before supplying power to the router.
7. Plug the power cord for the router table into a power source.
8. Turn on the power to the router table by pulling up on the router table ON/OFF switch.
9. Always control the power to the router with the router-table ON/OFF switch whenever the router is mounted to the table.
10. Always feed the workpiece from RIGHT to LEFT (Fig. 15a).

NOTICE: The workpiece must always be held tightly against the fence.

⚠ WARNING Never feed the workpiece in the same direction as the rotation of the bit. Feeding in this direction can cause the workpiece to climb over the bit and cause serious personal injury (Fig. 15b).

⚠ WARNING When making a side or edge cut, never position the fence in such a way that the workpiece is located between the cutter and the fence. Failure to heed this warning can result in serious personal injury (Fig. 15c).

Fig. 15b

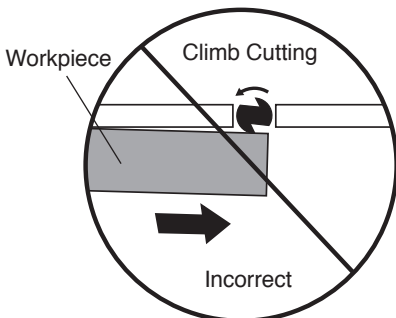


Fig. 15a

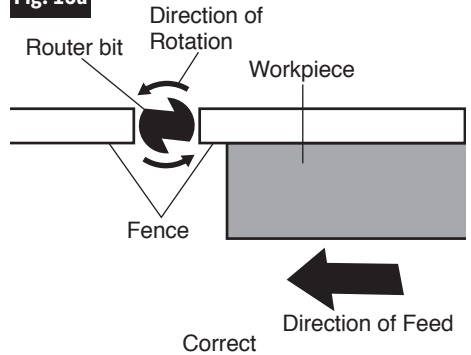
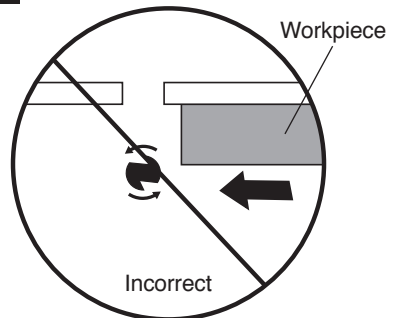


Fig. 15c



Using Fence

The fence supports and guides the workpiece. To provide the best support during routing operations, the fence faceplates should be as close to the bit as possible without contacting the bit (typically, about 1/4" [6.3mm] away from the bit).

Moving the Fence Forward and Backward (Fig. 16)

1. Loosen the two fence assembly clamping knobs.
2. Move the fence assembly forward or backward along the slots to the desired position.
3. Tighten the fence assembly clamping knobs.

NOTICE:

- For deep cuts, make successive passes and NEVER cut more than 1/8 inch (3mm) deep with a single pass.
- For wider cuts, make multiple cutting passes by progressively moving the fence backward until the desired width of cut is reached.

Sliding the In-feed and Out-feed Fence Sideways (Fig. 17)

The in-feed fence and out-feed fence can each slide sideways to extend the fence.

1. Loosen the four sideways clamping knobs.
2. Slide the faceplate of each fence to the desired position.
3. Tighten the sideways clamping knobs.

⚠ WARNING Always make sure that the fence and guard cannot come in contact with the router bit. Failure to do so will result in damage to the router table and can cause personal injury.

Fig. 16

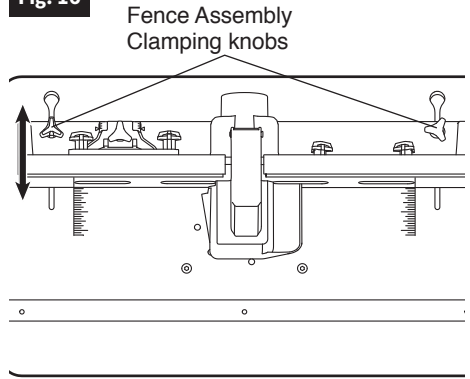
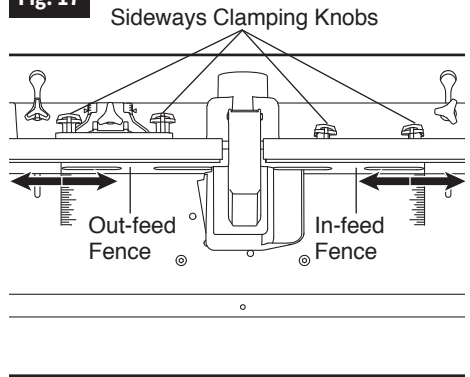


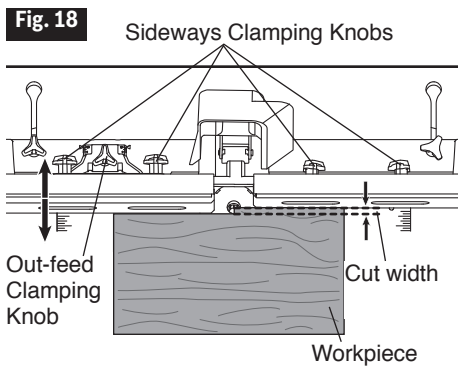
Fig. 17



Setting up Out-feed Fence for Joining (Fig. 18)

For joining operations, the out-feed fence can be moved up to 1/4 in. (6.3 mm) forward of the in-feed fence to support the workpiece after it passes across the router bit.

1. Loosen the out-feed clamping knob (Fig. 18).
2. Move the out-feed fence forward of the in-feed fence to a distance equal to the width of material to be removed from the workpiece.
3. Loosen the four sideways clamping knobs. Slide both fence faceplates toward the bit to minimize the space between the faceplates and the router bit. Securely tighten the sideways clamping knobs.
4. Loosen the two fence assembly clamping knobs and then move the entire fence assembly so that the faceplate of the out-feed fence face is aligned with the front of the router bit. Use a straight edge if necessary. Tighten the two fence assembly clamping knobs.

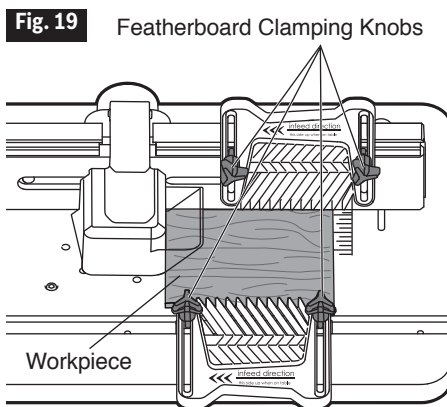


Using Featherboards (Fig. 19)

Featherboards are helpful for controlling the workpiece while routing, and they assist in keeping the workpiece flat on the tabletop and snug against the fence. The tabletop featherboard, combined with the fence featherboard, help to keep the workpiece pressed against the fence and tabletop. The best location for the featherboards varies according to your application, workpiece size, and other factors.

1. Loosely install the featherboard attached to the fence as described in **ATTACHING THE FEATHERBOARDS**.
2. Place the workpiece on the router table so that it is squarely against the fence.
3. Position the featherboards snugly against the workpiece and tighten the featherboard clamping knobs.
4. The workpiece should move with some resistance but without requiring a great effort.

NOTE: The tabletop featherboard cannot be used for wider workpieces.



Using Starter Pin (Fig. 20)

The starter pin is used for operations that involve routing curves in the workpiece.

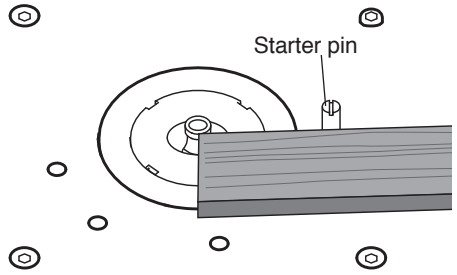
⚠ WARNING As with all routing operations, always use the guard when routing with the starter pin. Keep fingers away from the bit. Serious injury can occur if you contact the bit. Do not attempt to rout small workpieces.

NOTICE:

- When edging curves or complex shapes, you must use bits that have pilot bearings.
- When using the starter pin, the feed direction of the workpiece is always right to left across the front of the pin.

1. Turn off the integrated safety switch and unplug the table.
2. Screw the starter pin into the mounting plate.
3. Adjust the depth of cut.
4. Plug in the table and turn on the integrated safety switch.
5. Set the workpiece against the front of the starter pin and feed the workpiece slowly into the bit.
6. While routing with a pilot bearing bit, make sure that the workpiece is always in contact with the bit's pilot bearing.

Fig. 20



Using Miter Gauge (Fig. 21a and 21b)

NOTE: For ALL routing operations requiring the use of the miter gauge with the fence, BE SURE to align the fence using the scales on the top of the router table before making any cuts (Fig. 21a).

Miters can be cut by loosening the miter-gauge knob, turning the miter gauge up to 60° in either direction, and retightening the miter-gauge knob (Fig. 21b).

Make a test pass with a workpiece before making a cut to be sure the fence is aligned correctly. Adjust as required and fasten the fence securely before making the cut.

Fig. 21a

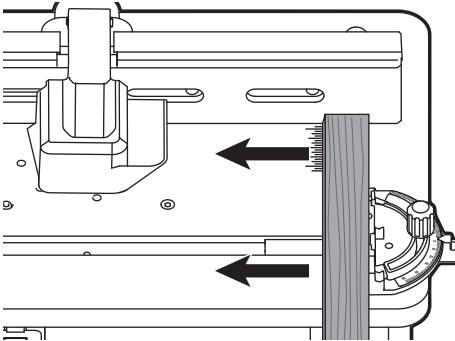
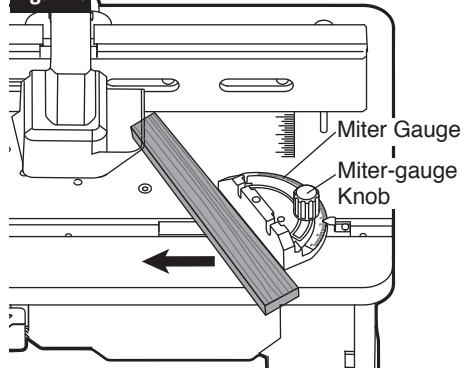


Fig. 21b



MAINTENANCE

Service

⚠ WARNING When servicing use only identical SKIL replacement parts. Use of any other parts may create a hazard or cause product damage.

Cleaning

Avoid using solvents when cleaning plastic parts. Most plastics are susceptible to damage from various types of commercial solvents and may be damaged by their use. Use a clean cloth to remove dirt, dust, oil, grease, etc.

⚠ WARNING Do not at any time let brake fluids, gasoline, petroleum-based products, penetrating oils, etc. come in contact with plastic parts.

Chemicals can damage, weaken or destroy plastic which may result in serious personal injury.

⚠ WARNING Always wear safety goggles or safety glasses with side shields during power tool operation or when blowing dust. If operation is dusty, also wear a dust mask.

LIMITED WARRANTY OF SKIL CONSUMER CORDED POWER TOOLS

1 YEAR LIMITED WARRANTY – LEGAL

Chervon North America, Inc. ("Seller") warrants to the original purchaser only, that all SKIL consumer CORDED POWER TOOLS will be free from defects in material or workmanship for a period of one year from date of purchase if original purchaser registers the product within 30 days from purchase. Product registration can be completed online at www.Registtermyskil.com. Purchasers should also retain their receipt as proof of purchase. A limited warranty will apply for a duration of one year for tools. Original purchasers are encouraged to register their product within 30 days of purchase to confirm their limited warranty.

A limited warranty will apply for a duration of one year for corded tools. Original purchasers are encouraged to register their product within 30 days of purchase to confirm their limited warranty.

Notwithstanding the foregoing, if a SKIL consumer tool is used for industrial, professional, or commercial purposes, the foregoing warranty will apply for a duration of ninety days, regardless of registration.

SELLER'S SOLE OBLIGATION AND YOUR EXCLUSIVE REMEDY under this Limited Warranty and, to the extent permitted by law, any warranty or condition implied by law, shall be the repair or replacement of parts, without charge, which are defective in material or workmanship and which have not been misused, carelessly handled, or repaired by persons other than Seller or Authorized Service Station. To make a claim under this Limited Warranty, you must return the complete product, transportation prepaid, to any SKIL Factory Service Center or Authorized Service Station. For Authorized SKIL Power Tool Service Stations, please visit www.Registtermyskil.com or call 1-877-SKIL-999 (1-877-754-5999).

THIS LIMITED WARRANTY DOES NOT APPLY TO ROUTINE MAINTENANCE PARTS AND CONSUMABLES THAT CAN WEAR OUT FROM NORMAL USE WITHIN THE WARRANTY PERIOD, INCLUDING BLADES, DRILL BITS, ROUTER BITS, SANDING BELTS, GRINDING WHEELS, AND OTHER RELATED ITEMS.

ANY IMPLIED WARRANTIES APPLICABLE TO A PRODUCT SHALL BE LIMITED IN DURATION EQUAL TO THE DURATION OF THE EXPRESS WARRANTIES APPLICABLE TO SUCH PRODUCT, AS SET FORTH IN THE FIRST PARAGRAPH ABOVE. SOME STATES IN THE U.S., SOME CANADIAN PROVINCES DO NOT ALLOW LIMITATIONS ON HOW LONG AN IMPLIED WARRANTY LASTS, SO THE ABOVE LIMITATION MAY NOT APPLY TO YOU.

THIS LIMITED WARRANTY DOES NOT COVER THE DAMAGE RESULTING FROM MODIFICATION, ALTERATION, OR UNAUTHORIZED REPAIR.

IN NO EVENT SHALL SELLER BE LIABLE FOR ANY INCIDENTAL OR CONSEQUENTIAL DAMAGES (INCLUDING BUT NOT LIMITED TO LIABILITY FOR LOSS OF PROFITS) ARISING FROM THE SALE OR USE OF THIS PRODUCT. SOME STATES IN THE U.S. AND SOME CANADIAN PROVINCES DO NOT ALLOW THE EXCLUSION OR LIMITATION OF INCIDENTAL OR CONSEQUENTIAL DAMAGES, SO THE ABOVE LIMITATION OR EXCLUSION MAY NOT APPLY TO YOU.

THIS LIMITED WARRANTY GIVES YOU SPECIFIC LEGAL RIGHTS, AND YOU MAY ALSO HAVE OTHER RIGHTS WHICH VARY FROM STATE TO STATE IN THE U.S., PROVINCE TO PROVINCE IN CANADA AND FROM COUNTRY TO COUNTRY.

THIS LIMITED WARRANTY APPLIES ONLY TO PRODUCTS SOLD WITHIN THE UNITED STATES OF AMERICA, CANADA, AND THE COMMONWEALTH OF PUERTO RICO. FOR WARRANTY COVERAGE WITHIN OTHER COUNTRIES, CONTACT YOUR LOCAL SKIL DEALER OR IMPORTER.

TABLE DES MATIÈRES

Avertissement général relatif à la sécurité pour les outils de table . . .	30-31
Avertissements spécifiques relatifs à la sécurité pour la table à toupie	31-33
Emplacement du guide et avancement de l'ouvrage incorrects	33-34
Informations importantes sur les cordons de rallonge	34
Instructions relatives à la mise à la terre	35
Symboles	36-39
Liste des pièces	40-41
Apprenez à connaître votre table à toupie	42
Spécifications	42
Montage de la table à toupie	43-49
Fonctionnement de la table à toupie	50-51
Opérations générales de toupillage avec la table à toupie	52-56
Maintenance	57
Garantie limitée des outils électriques filaires SKIL destinés à un usage résidentiel	58-59

⚠ AVERTISSEMENT

• La poussière créée pendant le ponçage, le sciage, le polissage, le perçage et d'autres activités liées à la construction peut contenir des produits chimiques reconnus par l'État de la Californie comme étant la cause de cancer, d'anomalies congénitales et d'autres problèmes liés aux fonctions reproductrices. Voici des exemples de ces produits chimiques :

- du plomb provenant de peintures à base de plomb;
- de la silice cristalline provenant de la brique, du ciment ou d'autres matériaux de maçonneries;
- de l'arsenic et du chrome provenant du bois d'œuvre traité avec un produit chimique.

• Les risques liés à l'exposition à ces produits varient selon le nombre de fois où vous pratiquez ces activités. Pour réduire votre exposition à ces produits chimiques :

- travaillez dans un endroit bien ventilé;
- munissez-vous de l'équipement de sécurité approuvé tel que des masques antipoussières conçus spécialement pour filtrer les particules microscopiques;

évituez l'exposition prolongée à la poussière causée par le ponçage mécanique, le sciage, le polissage, le perçage et d'autres activités liées à la construction; Portez un équipement de protection et lavez à l'eau et au savon toutes les parties exposées. Les poussières pénétrant dans votre bouche ou dans vos yeux et les poussières se déposant sur votre peau peuvent causer l'absorption de produits chimiques dangereux.

AVERTISSEMENTS GÉNÉRAUX RELATIFS À LA SÉCURITÉ POUR LES OUTILS DE TABLE

Maintenez les dispositifs de protection en place et en état de fonctionnement.

Enlevez les clés de réglage et de serrage. Prenez l'habitude de vérifier que les clés de réglage et de serrage sont bien retirées de l'outil avant de le mettre en marche.

Gardez la zone de travail propre. Les lieux et les établis encombrés multiplient les risques d'accident.

N'utilisez pas cet outil dans un environnement dangereux. N'utilisez pas d'outils électriques dans des endroits humides ou mouillés, et ne les exposez pas à la pluie. Maintenez votre zone de travail bien éclairée.

Gardez les enfants à distance. Ne laissez pas les visiteurs s'approcher de la zone de travail.

Assurez la sécurité dans l'atelier au cas où des enfants seraient présents avec des cadenas ou des interrupteurs, ou en retirant les clés de démarrage.

N'imposez pas de contraintes excessives à l'outil. Il sera plus efficace et plus sûr si vous le faites fonctionner à la vitesse pour laquelle il a été conçu.

Employez l'outil qui convient. Ne forcez pas un outil ou un accessoire à faire un travail pour lequel il n'a pas été conçu.

Portez des vêtements appropriés. Ne portez pas de vêtements amples, de gants, de cravate, de bagues, de bracelets ou d'autres bijoux qui pourraient se prendre dans les pièces mobiles. Des chaussures antidérapantes sont recommandées.

Portez un chapeau ou une coiffe de protection si vous avez les cheveux longs.

Portez toujours des lunettes de sécurité. Utilisez toujours un masque antipoussière ou une protection du visage si l'opération de coupe va produire de la poussière. Les lunettes de tous les jours n'ont que des verres résistants aux chocs. Ce ne sont PAS des lunettes de sécurité.

Assujettissez bien votre ouvrage. Maintenez-le en place avec des brides de fixation ou avec un étau lorsque cela est possible. C'est beaucoup plus sûr que de vous servir de vos mains, et vous garderez ainsi les deux mains libres pour utiliser l'outil.

Ne risquez pas de perdre l'équilibre. Veillez à toujours garder un bon équilibre et un appui stable.

Prenez soin de vos outils et entretenez-les correctement. Gardez vos outils bien affûtés et propres; ceci vous permettra d'en obtenir le meilleur rendement possible dans des conditions de sécurité optimales. Suivez les instructions pour le graissage ainsi que pour le changement d'accessoires.

Débranchez les outils avant tout entretien ou lorsque vous changez d'accessoires, tels que les lames, les embouts, les couteaux, etc.

Réduisez le risque de démarrage involontaire. Assurez-vous que l'interrupteur est dans la position d'arrêt avant de brancher l'outil.

Utilisez les accessoires recommandés. Consultez le mode d'emploi pour plus de détails sur les accessoires recommandés. L'utilisation d'accessoires inappropriés peut entraîner des risques de blessures.

Ne vous tenez jamais debout sur le l'outil. L'utilisateur s'expose à de graves blessures si l'outil de coupe est renversé ou entre accidentellement en contact avec son corps.

Assurez-vous qu'aucune pièce n'est endommagée. Avant de continuer à utiliser l'outil, examinez le dispositif de protection et toutes les autres pièces endommagées pour vous assurer que tout fonctionnera toujours correctement et en remplissant la fonction prévue. Vérifiez que les pièces mobiles sont correctement alignées, qu'elles ne se coincent pas, qu'elles ne sont pas cassées et qu'elles sont bien assujetties, et remédiez à tous autres problèmes qui risqueraient d'affecter le fonctionnement de l'outil. Un dispositif de protection ou un autre composant endommagé doit être réparé ou remplacé de façon appropriée.

Sens d'avancement de la pièce à usiner. Faites seulement avancer votre ouvrage contre une lame ou un autre outil de coupe dans le sens contraire du sens de rotation de la lame ou de l'outil de coupe.

Ne laissez jamais un outil fonctionner sans surveillance. Mettez votre outil hors tension. Ne vous éloignez pas de celui-ci avant qu'il ait complètement cessé de fonctionner.

AVERTISSEMENTS DE SÉCURITÉ SPÉCIFIQUES POUR LA TABLE À TOUPIE

Pour votre propre sécurité, lisez le mode d'emploi avant d'utiliser la toupie ou la table à toupie.

Portez toujours des équipements de protection des yeux.

Ne soulevez la table à toupie que par les bords de la table. Le fait de soulever la table par toute autre surface pourrait causer des blessures.

N'utilisez pas la table à toupie tant que toutes les étapes de montage et d'installation ne sont pas terminées. Avant chaque utilisation, vérifiez que les attaches et les brides de fixation de la toupie sont bien serrées. Une table ou une toupie desserrée est instable et peut se déplacer lors de son utilisation, entraînant des dommages matériels ou des blessures graves.

Débranchez la toupie de l'alimentation électrique avant d'installer la toupie sur la table, d'effectuer des réglages, de changer d'accessoires, de retirer la toupie de la table, d'effectuer des opérations de maintenance ou de ranger l'outil. De telles mesures de sécurité préventives réduisent le risque de démarrage accidentel de l'outil.

Ne branchez pas le cordon d'alimentation du moteur de la toupie dans une prise murale standard. Branchez toujours le cordon d'alimentation de la toupie dans le coffret de l'interrupteur de la table à toupie. Les interrupteurs et les commandes des outils électriques doivent être à votre portée dans des situations d'urgence.

Ne laissez pas vos doigts toucher les bornes de la fiche lorsque vous insérez ou retirez la fiche de la prise. Risque de choc électrique.

Avant de connecter la toupie ou l'aspirateur au coffret de l'interrupteur de la table à toupie, assurez-vous que la toupie ou l'aspirateur est hors tension et que le coffret de l'interrupteur de la table à toupie est débranché. De telles mesures de sécurité préventives réduisent le risque de démarrage accidentel de l'outil.

Avant d'utiliser la table à toupie, vérifiez que la toupie est bien fixée à la base de la table à toupie. Pendant le travail, vérifiez périodiquement le serrage du dispositif de fixation de la base de la toupie. Les vibrations des opérations de coupe peuvent provoquer le desserrage des brides de fixation du moteur de la toupie et la chute de ce dernier de la table.

Avant de commencer à travailler, assurez-vous que les cordons d'alimentation des accessoires de la toupie et du coffret de l'interrupteur, ainsi que le cordon de rallonge, ne sont pas en contact et ne peuvent pas entrer en contact avec la toupie ou toute pièce mobile de la toupie. De telles mesures de sécurité préventives réduisent le risque de blessure pouvant être causée par une perte de contrôle.

N'utilisez pas la table à toupie sans la protection supérieure, sauf si une opération de coupe particulière l'exige. Remettez le dispositif de protection de la lame immédiatement en place après avoir terminé l'opération de coupe. Enlevez toute la poussière, les copeaux et autres particules étrangères qui peuvent affecter son fonctionnement. Le dispositif de protection aidera à empêcher les mains d'entrer en contact involontairement avec l'embout rotatif.

N'utilisez pas de mèches dont le diamètre de coupe dépasse le trou de dégagement de la plaque d'insertion du dessus de table ou des bagues d'insertion. La mèche pourrait entrer en contact avec la plaque ou la bague d'insertion, ce qui pourrait projeter des fragments.

N'utilisez jamais des mèches émoussées ou endommagées. Une mèche endommagée risquerait de se casser pendant l'emploi. Les mèches émoussées nécessitent plus de force pour pénétrer dans l'ouvrage, ce qui pourrait causer le bris de la mèche ou un choc en retour.

Manipulez les mèches tranchantes avec précaution. Ces mesures de sécurité préventives réduisent le risque de blessure.

Ne modifiez pas le trou de la bague d'insertion ou de la plaque d'insertion. Faites correspondre le diamètre de coupe de la mèche au diamètre intérieur du trou de la bague d'insertion ou de la plaque d'insertion de telle sorte que la différence ne soit pas inférieure à 1,6 mm / 1/16 po sur un côté. Les bagues d'insertion sont destinées à réduire l'écart entre le diamètre de coupe de la mèche et la table de sorte que les pièces à usiner maintiennent un appui total de la table pendant le touillage.

Installez la mèche conformément aux instructions du mode d'emploi de la toupie. Serrez bien la mèche de la toupie dans le mandrin à douille de serrage avant de faire des coupes. La fixation correcte de la mèche avant la coupe réduit le risque que la mèche se desserre pendant l'opération.

Ne placez jamais vos doigts près d'une mèche en train de tourner ou sous le dispositif de protection lorsque la toupie est branchée. De telles mesures de sécurité préventives réduisent le risque de blessure.

Ne tenez jamais l'ouvrage du côté de la sortie de la mèche. Le fait de presser l'ouvrage contre le côté de la sortie du guide peut provoquer un blocage du matériau et un éventuel effet de rebond, qui pourrait attirer la main vers la mèche.

Guidez l'ouvrage avec le guide pour garder le contrôle de l'ouvrage. Ne placez pas l'ouvrage entre la mèche de la toupie et le guide pendant le touillage du bord. Ce placement provoquera le coincement du matériel, ce qui risque de causer un choc en retour.

N'utilisez les toupies que pour travailler le bois, les produits dérivés du bois, le plastique ou les stratifiés. N'utilisez pas de toupie et de table à toupie pour couper ou façonner des métaux. Assurez-vous que l'ouvrage ne contient pas de clous ou d'autres objets durs. Le fait de couper des clous peut entraîner une perte de contrôle de l'outil ou de l'ouvrage.

Ne mettez jamais l'outil en marche alors que sa mèche est engagée dans le matériau. Le bord de coupe de la mèche pourrait agripper le matériau et causer la perte de contrôle de l'ouvrage.

Ne faites avancer l'ouvrage que dans le sens contraire à la rotation de la mèche. Il ne faut pas risquer de « renvoyer » l'ouvrage vers la mèche. La mèche tourne dans le sens contraire des aiguilles d'une montre, vu depuis le haut de la table. Le « renvoi » de la pièce à usiner en arrière fait que la pièce à usiner a tendance à « grimper » sur la mèche, ce qui pourrait attirer la pièce à usiner et éventuellement vos mains vers la mèche en rotation.

N'introduisez pas l'ouvrage dans la mèche lorsque la plus grande partie de l'ouvrage se trouve entre le guide et la mèche. Cela crée un « piège de guide » qui est une situation dangereuse en raison de l'exposition de la mèche. L'ouvrage risquera alors de « grimper » pendant la coupe en s'éloignant du dessus de la table, ce qui peut entraîner une perte de contrôle pendant l'opération.

Ne coupez pas de matériaux déformés, branlants ou instables par ailleurs. La table à toupie est conçue pour couper des matériaux plats, droits et équarris. Si le matériau est légèrement courbé mais stable par ailleurs, coupez le matériau avec le côté concave contre la table ou le guide. Le fait de couper le matériau avec le côté concave vers le haut ou loin de la table peut faire rouler le matériau déformé ou branlant et le faire rebondir, ce qui risque de faire perdre le contrôle à l'utilisateur.

Utilisez des supports d'entrée et de sortie auxiliaires pour les ouvrages longs ou larges. Des ouvrages surdimensionnés sans support adéquat peuvent se renverser ou faire basculer la table.

Utilisez un bâton poussoir, des planches à languettes montées verticalement et horizontalement (bâtons à ressort) et d'autres gabarits de support pour maintenir l'ouvrage en place. Grâce aux bâtons poussoirs, aux planches à languettes et aux gabarits de support, il n'est plus nécessaire de tenir l'ouvrage à proximité de la mèche pendant la rotation.

Ne lâcher jamais la pièce lors du toupillage avant que la coupe ne soit terminée et que l'ouvrage ne soit complètement dégagé de la mèche. Ces mesures de sécurité préventives réduisent le risque de blessures et de dommages matériels. Les planches à languettes aident à maintenir l'ouvrage en position lors du toupillage sur une table à toupie. Elles ne sont pas destinées à maintenir l'ouvrage en place à elles toutes seules lorsque celui-ci est en contact avec la mèche, ou à tout autre moment pendant que la mèche tourne.

Tenez toujours l'ouvrage contre le guide de la table à toupie lorsque vous effectuez le toupillage. Ces mesures de précaution augmentent la précision du toupillage et améliorent le contrôle de l'ouvrage, réduisant ainsi le risque de blessure.

Ne laissez jamais la toupie sans surveillance lorsqu'elle est en marche ou avant qu'elle ne s'arrête complètement de tourner. Ces mesures de sécurité préventives réduisent le risque de blessures et de dommages matériels.

N'utilisez pas la table comme un établi ou une surface de travail. Son utilisation à des fins autres que le toupillage peut causer des dommages et rendre dangereuse son utilisation pendant le toupillage.

Ne montez jamais sur la table et ne vous en servez pas comme s'il s'agissait d'une échelle ou d'un échafaudage. La table pourrait basculer ou l'outil de coupe pourrait être accidentellement touché.

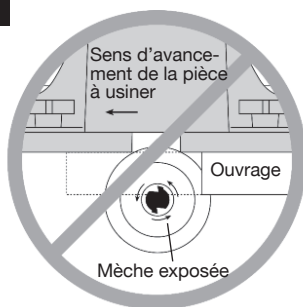
Lors de toute réparation de l'outil, n'utilisez que des pièces de rechange SKIL recommandées. L'utilisation de pièces de rechange non autorisées ou le non-respect des instructions d'entretien pourrait créer un risque de blessure.

EMPLACEMENT DU GUIDE ET AVANCEMENT DE L'OUVRAGE INCORRECT

⚠ AVERTISSEMENT Ne faites pas avancer l'ouvrage lorsque la plus grande partie de l'ouvrage se trouve entre le guide et la mèche. Cela crée un « piège de guide » qui est dangereux pour deux raisons :

- L'avant de la mèche est exposé lors de l'opération de coupe (Fig. A).
- La mèche peut « grimper » pendant la coupe, c'est-à-dire que la mèche entre dans l'ouvrage dans le même sens que celui dans lequel elle avance. Cela risque de faire « grimper » l'ouvrage et l'éloigner du dessus de la table, ce qui peut entraîner une perte de contrôle pendant le fonctionnement (Fig. A).

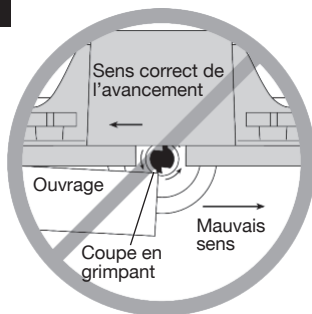
Fig. A



⚠ AVERTISSEMENT Ne faites avancer l'ouvrage que dans le sens contraire à la rotation de la mèche. Ne « renvoyez » pas l'ouvrage vers l'arrière en direction de la mèche.

La mèche tourne dans le sens contraire des aiguilles d'une montre, vu depuis le haut de la table. Le « renvoi » de la pièce à usiner vers l'arrière est dangereux pour deux raisons :

Fig. B



- Il s'agit d'une coupe en montée lors de laquelle l'ouvrage peut « grimper » et s'éloigner du dessus de la table dans le sens de la rotation de la mèche, en attirant l'ouvrage et éventuellement vos mains vers la mèche en rotation (Fig. B).
- Il est difficile de maintenir l'ouvrage contre la face du guide car la rotation de la mèche éloigne l'ouvrage du guide.

INFORMATIONS IMPORTANTES SUR LES CORDONS DE RALLONGE

⚠ AVERTISSEMENT Il faut utiliser un cordon de rallonge ayant des conducteurs de taille adéquate capable de conduire le courant nécessaire pour votre outil. Ceci empêchera une chute de tension excessive, une coupure de courant ou une surchauffe. Les outils mis à la terre doivent utiliser des cordons de rallonge à trois conducteurs ayant des fiches et prises à trois broches.

REMARQUE : Plus le chiffre du calibre est petit, plus le cordon est lourd.

DIMENSIONS RECOMMANDÉES DES CORDONS DE RALLONGE POUR OUTILS FONCTIONNANT SUR COURANT ALTERNATIF DE 120 VOLTS

Intensité nominale de l'outil	Diamètre du cordon en A.W.G.				Diamètre du fil en mm ²			
	Longueur du cordon (en pieds)				Longueur du cordon (en mètres)			
	25	50	100	150	15	30	60	120
3-6	18	16	16	14	0.75	0.75	1.5	2.5
6-8	18	16	14	12	0.75	1.0	2.5	4.0
8-10	18	16	14	12	0.75	1.0	2.5	4.0
10-12	16	16	14	12	1.0	2.5	4.0	-
12-16	14	12	-	-	-	-	-	-

INSTRUCTIONS RELATIVES À LA MISE À LA TERRE

En cas de problème de fonctionnement ou de panne, la mise à la terre fournit un chemin de fuite de moindre résistance pour le courant électrique afin de réduire le risque de choc électrique. Cet outil est muni d'un cordon électrique ayant un conducteur de mise à la terre d'équipement et une fiche de mise à la terre. La fiche doit être branchée dans une prise correspondante qui est installée correctement et mise à la terre conformément à tous les codes et arrêtés applicables.

Ne modifiez pas la fiche fournie. Si elle n'entre pas dans la prise de courant, faites installer une prise de courant appropriée par un électricien professionnel.

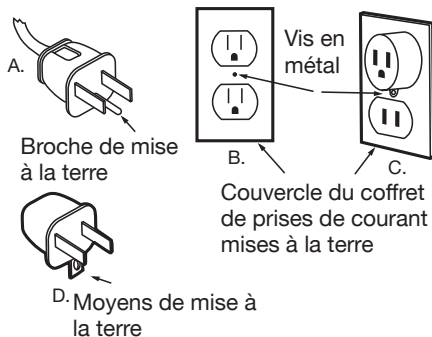
Une connexion incorrecte du conducteur de mise à la terre de l'équipement pourrait causer un risque de choc électrique. Le conducteur isolé avec une surface extérieure verte avec ou sans bandes jaunes est le conducteur de mise à la terre de l'équipement. Si une réparation ou un remplacement est nécessaire, ne connectez pas le conducteur de mise à la terre de l'équipement à une borne sous tension.

Consultez un électricien professionnel ou un membre du personnel d'entretien si les instructions de mise à la terre ne sont pas complètement comprises ou en cas de doute sur l'efficacité de la mise à la terre de l'outil.

Utilisez seulement des cordons de rallonge à trois fils ayant des fiches de mise à la terre à trois broches et des prises à trois trous pour recevoir la fiche de l'outil.

Réparez ou remplacez immédiatement le cordon d'alimentation endommagé ou usé.

Cet outil est destiné à être utilisé sur un circuit qui comprend une prise de courant (croquis B). L'outil est muni d'une broche de mise à la terre (croquis A). Un adaptateur temporaire (croquis C et D) peut être utilisé pour connecter cette fiche à une prise à deux pôles (croquis C), si une prise correctement mise à la terre n'est pas installée par un électricien qualifié. L'oreille, la cosse ou l'excroissance rigide verte similaire dépassant de l'adaptateur doit être connectée à une masse permanente telle qu'un coffret de prise de courant correctement mis à la terre.







SYMBOLES

Symboles de sécurité

L'objectif des symboles de sécurité est d'attirer votre attention sur les dangers potentiels. Vous devez examiner attentivement et bien comprendre les symboles de sécurité et les explications qui les accompagnent. Les symboles d'avertissement en tant que tels n'éliminent pas le danger. Les consignes et les avertissements qui y sont associés ne remplacent en aucun cas les mesures préventives adéquates.

⚠ AVERTISSEMENT Assurez-vous de lire et de comprendre toutes les consignes de sécurité présentées dans le présent guide d'utilisation, notamment toutes les consignes de sécurité indiquées par « **DANGER** », « **AVERTISSEMENT** » et « **MISE EN GARDE** » avant d'utiliser cet outil. Le fait de ne pas respecter toutes les consignes de sécurité ci-dessous peut causer un choc électrique, un incendie ou des blessures graves.

Les définitions ci-dessous décrivent le degré de gravité pour chaque mot-indicateur. Veuillez lire ce guide et prêter attention à ces symboles.	
	Voici le pictogramme d'alerte de sécurité. Il sert à vous indiquer les risques potentiels de blessures. Respectez toutes les consignes de sécurité associées à ce pictogramme pour éviter les risques de blessures ou de mort.
	DANGER indique un danger imminent qui, s'il n'est pas évité, causera des blessures graves ou la mort.
	AVERTISSEMENT indique un risque pouvant entraîner des blessures graves ou la mort s'il n'est pas prévenu.
	MISE EN GARDE, utilisée avec le symbole d'alerte de sécurité, indique un risque potentiel qui, s'il n'est pas éliminé, provoquera des blessures mineures ou moyennement graves.

Messages d'information et de prévention des dommages

Ces messages contiennent des renseignements importants à l'intention de l'utilisateur ainsi que des consignes à respecter. Le non-respect de celles-ci peut occasionner des dommages à l'équipement ou d'autres dommages matériels. Chaque message est précédé du mot « AVIS », comme dans l'exemple ci-dessous :



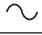






AVIS : Ne pas suivre ces consignes pourrait occasionner des dommages à l'équipement ou d'autres dommages matériels.






⚠ AVERTISSEMENT L'utilisation de tout outil électrique peut entraîner la projection de corps étrangers dans les yeux et ainsi causer des lésions oculaires graves. Lorsque vous utilisez un outil électrique, portez toujours des lunettes de sécurité pourvues d'écrans latéraux et d'un écran facial panoramique, au besoin. Nous recommandons le port d'un masque de sécurité panoramique par-dessus les lunettes ou de lunettes de sécurité standard avec écrans latéraux. Portez toujours des protecteurs oculaires conformes à la norme ANSI Z87.1.

SYMBOLES (SUITE)







IMPORTANT: Les symboles suivants peuvent figurer sur votre outil. Familiarisez-vous avec eux et apprenez leur signification. En comprenant ces symboles, vous serez en mesure de faire fonctionner cet outil de façon adéquate et sécuritaire.

Symbole	Nom	Forme au long et explication
V	Volts	Tension
A	Ampères	Courant
Hz	Hertz	Fréquence (cycles par seconde)
W	Watt	Puissance
kg	Kilogrammes	Poids
min	Minutes	Durée
s	Secondes	Durée
Wh	Wattheures	Capacité de la pile
Ah	Ampères-heures	Capacité de la pile
∅	Diamètre	Taille des forets, des meules, etc.
n_0	Vitesse à vide	Vitesse de rotation à vide
n	Vitesse nominale	Vitesse maximale atteignable
.../min	Nombre de tours ou mouvements de va-et-vient par minute (tr/min)	Tours, coups, vitesse périphérique, orbites, etc., par minute
O	Position d'arrêt	Vitesse nulle, couple nul...
1,2,3,... I,II,III,	Réglages du sélecteur	Réglages de la vitesse, du couple ou de la position. Plus le nombre est élevé, plus la vitesse est grande.
	Sélecteur à réglage continu avec mode d'arrêt	La vitesse augmente à partir du réglage 0
	Flèche	L'activation se fait dans le sens de la flèche
	Courant alternatif (c.a.)	Type de courant ou caractéristique de courant
	Courant continu (c.c.)	Type de courant ou caractéristique de courant
	Courant alternatif ou continu (c.a./c.c.)	Type de courant ou caractéristique de courant
	Outil de classe II	Désigne les outils de construction à double isolation
	Mise à la terre de protection	Borne de mise à la terre
	Label du programme de recyclage des piles au lithium-ion de la RBRC	Désigne le programme de recyclage des piles au lithium-ion
	Lisez les instructions	Invite l'utilisateur à lire le manuel

Symbole	Nom	Forme au long et explication
	Symbole du port de lunettes de sécurité	Alerte l'utilisateur pour lui demander de porter une protection des yeux
	Utilisez toujours les deux mains	Alerte l'utilisateur pour lui demander de toujours tenir l'outil avec les deux mains
	N'utilisez pas le dispositif de protection pour les opérations de tronçonnage	Alerte l'utilisateur pour lui demander de ne pas utiliser le dispositif de protection pour les opérations de tronçonnage

SYMBOLES (RENSEIGNEMENTS EN MATIÈRE D'HOMOLOGATION)

IMPORTANT: Certains des symboles suivants, qui fournissent des renseignements en matière d'homologation, peuvent figurer sur l'outil. Familiarisez-vous avec eux et apprenez leur signification. En comprenant ces symboles, vous serez en mesure de faire fonctionner cet outil de façon adéquate et sécuritaire.

Symbole	Forme au long et explication
	Ce symbole indique que cet outil est répertorié par Underwriters Laboratories.
	Ce symbole indique que cet outil est reconnu par Underwriters Laboratories.
	Ce symbole indique que cet outil est répertorié par Underwriters Laboratories et qu'il est conforme aux normes américaines et canadiennes.
	Ce symbole indique que cet outil est répertorié par l'Association canadienne de normalisation.
	Ce symbole indique que cet outil est répertorié par l'Association canadienne de normalisation et qu'il est conforme aux normes américaines et canadiennes.
	Ce symbole indique que cet outil est répertorié par Intertek Testing et qu'il est conforme aux normes américaines et canadiennes.

LISTE DES PIÈCES

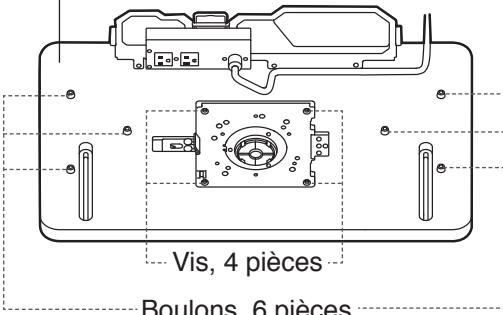
Voir la liste des pièces ci-dessous.

⚠ AVERTISSEMENT Si l'**UNE QUELCONQUE** des pièces est manquante, NE tentez PAS d'assembler, d'installer ou d'utiliser votre table à toupie avant que les pièces manquantes aient été trouvées ou remplacées et que votre table à toupie ait été correctement assemblée de façon appropriée conformément à ce mode d'emploi.

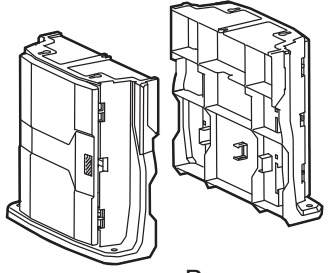
- **En cas de pièces manquantes ou pour obtenir de l'assistance technique, appelez le 1-877-SKIL-999.**
- Afin de simplifier la manipulation et de minimiser les dommages qui pourraient survenir pendant le transport, votre table à toupie est livrée en grande partie assemblée. Le repositionnement de certaines pièces sera néanmoins nécessaire.
- Séparez toutes les pièces des matériaux d'emballage et vérifiez chaque pièce par rapport aux illustrations et à la liste des pièces pour vous assurer que toutes les pièces ont été incluses. Faites-le avant de mettre au rebut de quelconques matériaux d'emballage.

Article	Description	Quantité
A	Assemblage de la table à toupie (y compris 6 boulons préassemblés et 4 vis préassemblés)	1
B	Pieds de table de gauche et de droite	1
C	Ensemble de guide	1
D	Ensemble de planches à languettes pour le guide	1
E	Ensemble de planches à languettes avec une barre de glissement pour la surface du dessus de la table	1
F	Ensemble de guide d'onglet	1
G	Insérer un jeu de bagues (3 bagues par jeu)	
G-1	Bague d'insertion avec un trou de 17,5 mm / 11/16 po de diamètre	1
G-2	Bague d'insertion avec un trou de 32 mm / 1-1/4 po de diamètre	1
G-3	Bague d'insertion avec un trou de 44,5 mm / 1-3/4 po de diamètre	1
H	Broche de démarrage	1
I	Clé combinée de 5 mm (hexagonale / cruciforme)	1

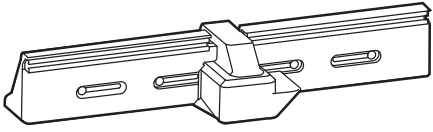
Ensemble de table à toupie



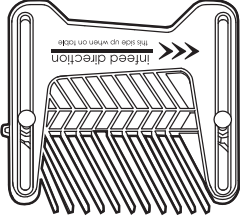
A



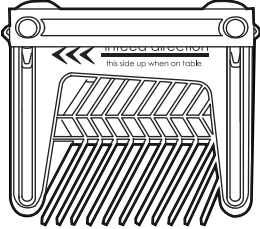
B



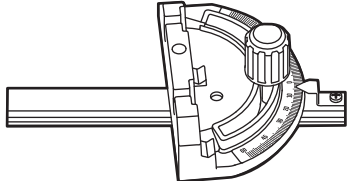
C



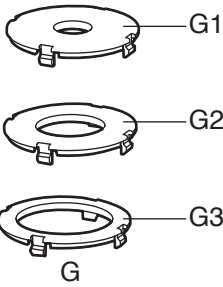
D



E



F



G



H



I

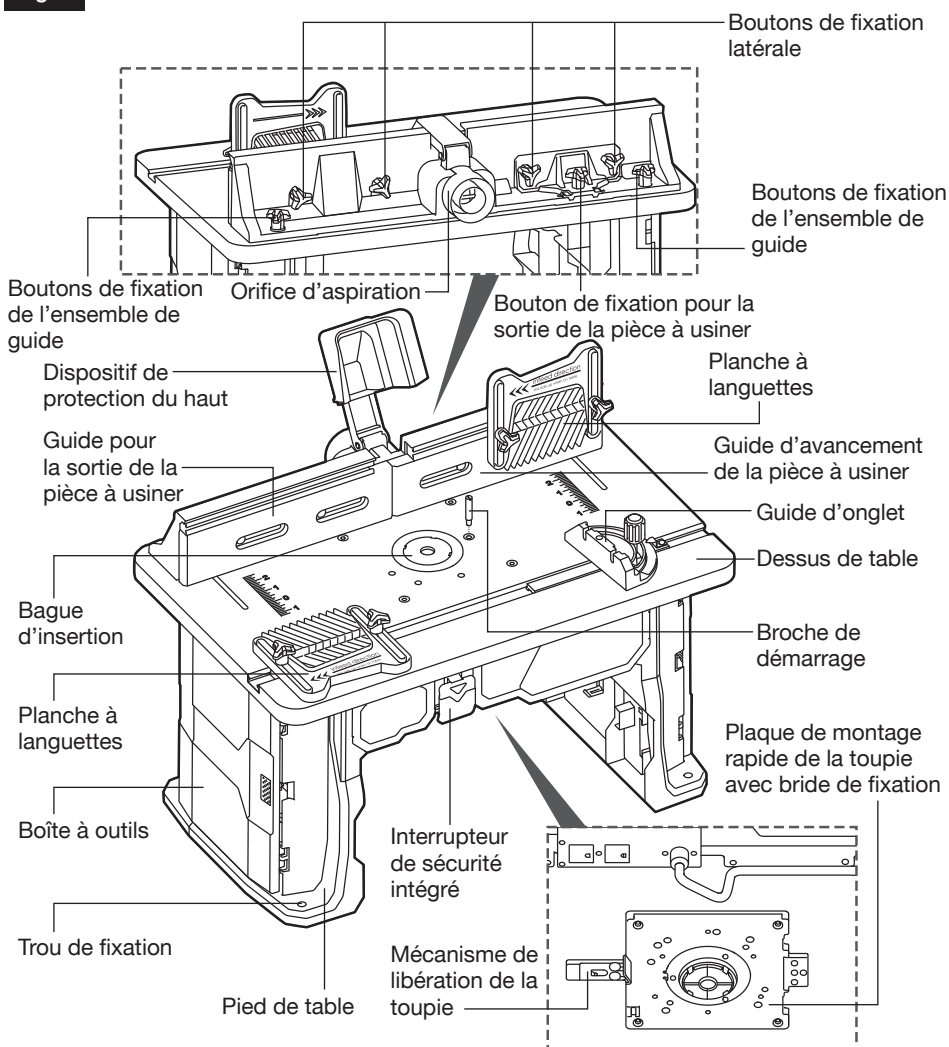
Outils nécessaires (non fournis)



Clé hexagonale de 4 mm

APPRENEZ À CONNAÎTRE VOTRE TABLE À TOUPIE

Fig. 1



SPÉCIFICATIONS

Modèle N°	SRT1039
Valeur nominale	120 V~, 60 Hz, 15 A
Taille de la table	66 cm x 40,6 cm x 35,6 cm / 26 po x 16 po x 14 po
Fente d'onglet	19 mm / 3/4 po
Longueur du guide	60,96 cm / 24 po
Diamètre maximum de l'outil de coupe	41,3 mm / 1-5/8 po

CONFIGURATION DE LA TABLE À TOUPIE

AVERTISSEMENT Débranchez toujours la table à toupie avant de fixer des accessoires ou d'effectuer un réglage quelconque.

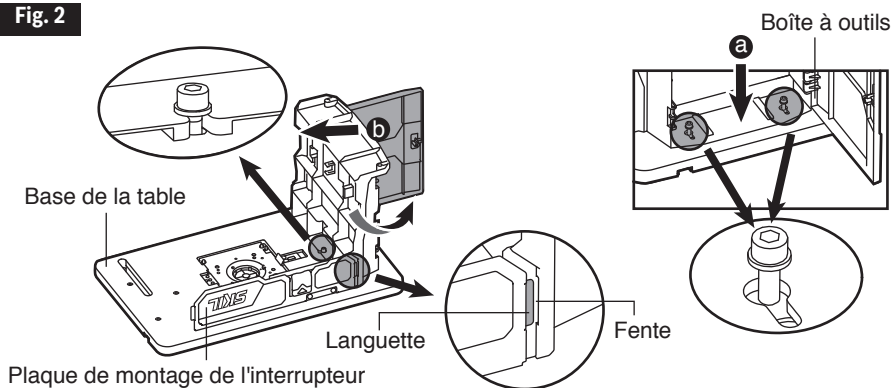
Fixation des pieds à la table (Fig. 2)

REMARQUE : La table à toupie est équipée de six boulons à six pans creux préinstallés sur la base de la table pour fixer les deux pieds de la table.

1. Retournez l'ensemble de la table à toupie à l'envers et posez-le sur une surface plate et plane.
2. Desserrez les trois boulons du côté droit de la base de la table.
3. Ouvrez la porte de la boîte à outils et abaissez l'un des pieds sur la base de la table, comme indiqué. Veillez à ce que deux boulons soient insérés dans les deux trous de la boîte à outils.
4. Poussez le pied vers le centre de la table, jusqu'à ce que le troisième boulon soit inséré dans la fente au centre du côté intérieur du pied. En même temps, assurez-vous que la languette de la plaque de montage de l'interrupteur s'insère dans la fente du pied.
5. Serrez les trois boulons de fixation avec la clé combinée de 5 mm fournie.
6. Suivez la même procédure pour l'autre pied de la table.

REMARQUE : Le sens d'ouverture des deux boîtes à outils doit se trouver sur le côté de l'interrupteur de sensibilité intégré.

Fig. 2

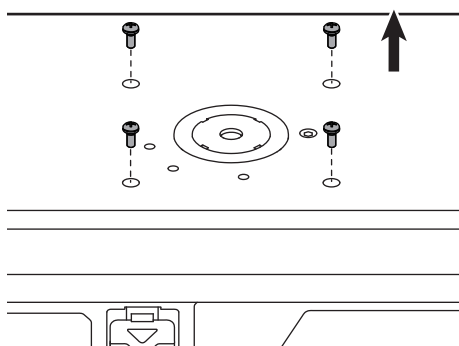


Retrait de la plaque de montage de la toupie à serrage rapide de la base de la table (Fig. 3a et 3b)

Cette table à toupie comprend un système de montage rapide de la toupie, qui a été préinstallé à l'usine avant l'expédition.

1. À l'aide de la clé combinée de 5 mm fournie, desserrez et retirez les quatre ensembles de vis cruciformes qui fixent la plaque de montage à la table (Fig. 3a). Conservez les boulons pour une utilisation ultérieure.

Fig. 3a

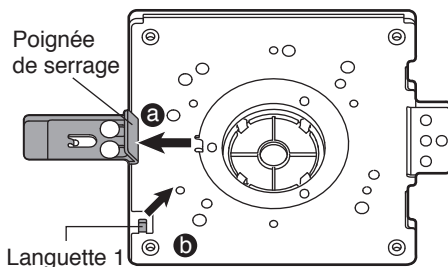


2. Retournez l'ensemble de table à toupie à l'envers sur une surface plate et plane (Fig. 3b).

Fig. 3b

3. Poussez la poignée de serrage vers la gauche pour ouvrir le mécanisme de libération de la toupie (a).

4. Soulevez la languette 1 de la plaque de montage pour la retirer de la base de la table (b).

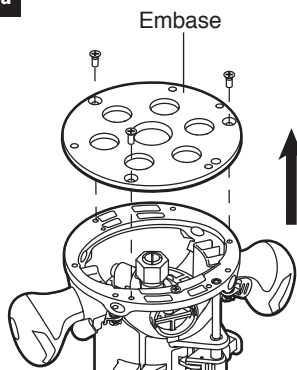


Fixation de la plaque de montage à serrage rapide sur les toupies SKIL RT1322-00 (base fixe uniquement) et RT1323-00

Fig. 4a

⚠ AVERTISSEMENT Débranchez la toupie de l'alimentation électrique avant d'installer la toupie sur la table, d'effectuer des réglages, de changer d'accessoires, de retirer la toupie de la table, d'effectuer des opérations de maintenance ou de ranger l'outil. De telles mesures de sécurité préventives réduisent le risque de démarrage accidentel de l'outil.

1. Retournez la toupie à l'envers de manière à ce qu'elle repose sur son capuchon supérieur (Fig. 4a)



2. Retirez l'embase en plastique de votre toupie en retirant les trois vis à l'aide de la clé combinée de 5 mm fournie. Conservez les trois vis à utiliser lors de la future étape 4.

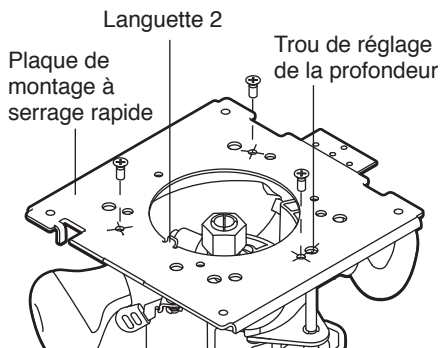
Fig. 4b

REMARQUE : Si vous souhaitez monter la toupie avec l'embase, vous devrez peut-être acheter des attaches de fixation plus longues. L'utilisation de l'embase réduit la portée de la profondeur de coupe.

3. Si vous souhaitez utiliser un aspirateur pendant votre travail, c'est le moment idéal pour installer l'adaptateur d'aspirateur sur la toupie. Consultez le mode d'emploi de votre toupie pour obtenir des informations sur le montage de l'adaptateur de l'aspirateur.

4. Alignez les trois trous de la plaque de montage sur les trous de la base de la toupie ; assurez-vous également d'aligner la tige de réglage de la profondeur de la toupie sur le trou de réglage de la profondeur de la plaque de montage.

5. Fixez solidement la plaque de montage à serrage rapide à votre toupie à l'aide des trois vis de l'Étape 2 (Fig. 4b).



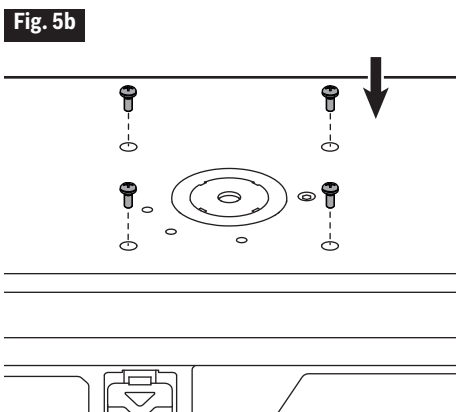
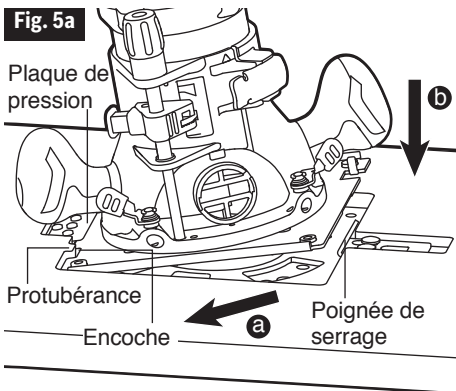
6. Assurez-vous toujours que les vis sont bien en place sur la plaque de montage et que la base de la toupie est fermement appuyée contre la plaque de montage pour garantir un montage sûr.

REMARQUE : La plaque de montage doit être montée de telle façon que la Languette 2 soit orientée vers le haut.

Installation de la plaque de montage à serrage rapide et de la toupie sur la table à toupie

⚠ AVERTISSEMENT Avant d'utiliser la table à toupie, vérifiez que la toupie est bien fixée dans la base de la table à toupie. Pendant le travail, vérifiez périodiquement le serrage des attaches de fixation de la base de la toupie. Les vibrations du moteur de la toupie peuvent desserrer les attaches de fixation pendant l'utilisation, ce qui ferait tomber la toupie de la table.

1. Retournez l'ensemble de la table à toupie à l'envers et posez-le sur une surface plate et plane.
2. Alignez les encoches de la plaque de montage sur les parties saillantes de la base de la table, puis insérez le bord de la plaque de montage (avec deux encoches) sous la plaque de pression de la base de la table (Fig. 5a).
3. Posez lentement la plaque de montage jusqu'à ce que son bord droit soit contre la poignée de serrage du mécanisme de libération de la toupie et qu'elle repose à plat sur la base de la table. La poignée de serrage s'enclenchera en place pour verrouiller automatiquement la plaque de montage.
4. Retournez la table de la toupie en position verticale, avec les pieds posés sur une surface plate et plane.
5. Alignez les quatre trous de dessus de la table sur les trous de la plaque de montage.
6. Insérez les quatre ensembles de vis à pointe cruciforme dans les quatre trous de la surface de la table à toupie et dans les trous de la plaque de montage. Serrez fermement les vis avec la clé combinée de 5 mm (Fig. 5b).



Installation de la bague d'insertion **Fig. 6**

Cette table à toupie comprend trois bagues d'insertion de dessus de table avec les différents diamètres d'ouverture suivants : (G-1) 17,5 mm / 11/16 po de diamètre d'ouverture, (G-2) 32 mm / 1-1/4 po de diamètre d'ouverture et (G-3) 44,5 mm / 1-7/8 po de diamètre d'ouverture.

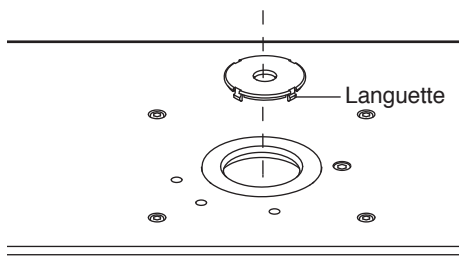
⚠ AVERTISSEMENT Les bagues d'insertion sont destinées à réduire l'écart entre le diamètre de coupe de la mèche et la table de manière à ce que les pièces à usiner maintiennent un support complet de la table lors du toupillage. La taille correcte de la bague d'insertion dépend de la taille et de la forme de l'outil de coupe. Lorsqu'elle est insérée, l'ouverture de la bague d'insertion doit se trouver à moins de 6.3 mm / 1/4 po du bord extérieur de l'outil de coupe.

⚠ AVERTISSEMENT Ne modifiez pas le trou de la bague d'insertion ou de la plaque d'insertion. Faites correspondre le diamètre de coupe de la mèche au diamètre intérieur du trou de la bague d'insertion ou de la plaque d'insertion de telle sorte que la différence ne soit pas inférieure à 1,6 mm / 1/16 po sur un côté.

⚠ AVERTISSEMENT N'utilisez pas la table à toupie avec des mèches de plus de 44,5 mm / 1-3/4 po de diamètre. Les mèches de plus de 4,5 cm / 1-3/4 po peuvent entrer en contact avec la plaque d'insertion ou la bague d'insertion, projetant ainsi des fragments. La bague d'insertion doit s'insérer complètement dans le trou du dessus de table. Utilisez une lime fine ou une planche à émeri pour enlever l'excès de plastique ou les bords rugueux qui peuvent faire dépasser la bague d'insertion au-dessus de la surface de la table.

1. Sélectionnez la bague d'insertion qui s'adapte le mieux à la mèche de la toupie à utiliser.
2. Positionnez la bague d'insertion sur l'ouverture d'insertion de la table à toupie.
3. Appuyez de façon uniforme sur les languettes jusqu'à ce que la bague d'insertion se verrouille en place.
4. Pour la retirer, tirez doucement vers le haut jusqu'à ce que les languettes se désengagent. Lorsqu'elles ne sont pas utilisées, rangez les bagues d'insertion dans l'une des boîtes à outils ou dans un autre endroit pratique.

⚠ AVERTISSEMENT N'utilisez pas et n'essayez pas de changer ou de retirer les bagues d'insertion de la table à moins que la toupie ne soit éteinte et débranchée. De telles mesures de sécurité préventives réduisent le risque de démarrage accidentel de l'outil.



Fixation de l'ensemble de guide sur la table (Fig. 7)

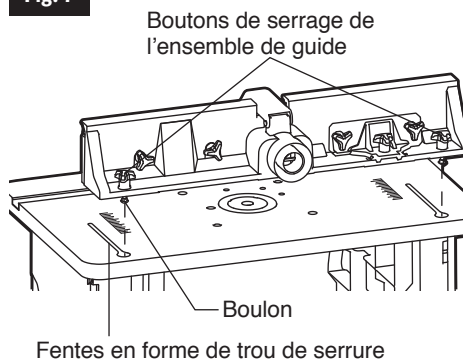
Le guide est livré déjà monté. Desserrez les deux boutons de serrage de l'ensemble de guide, mais ne les retirez pas des deux boulons avant de fixer l'ensemble de guide sur le dessus de la table.

1. Fixez le guide au dessus de la table en insérant les deux boulons à tête ronde et à col carré du guide dans les trous des fentes en forme de trou de serrure du dessus de la table, en vous assurant que les têtes des boulons sont sous la surface intérieure du dessus de la table et peuvent glisser librement dans la fente en forme de trou de serrure.

2. Serrez les boutons de serrage de l'ensemble de guide pour fixer l'ensemble de guide dans la position souhaitée.

REMARQUE : Utilisez l'échelle sur le dessus de la table afin de vous aider à aligner le guide pour les opérations de toupillage. Une fois que le guide est positionné et aligné correctement, serrez les boutons de serrage de l'ensemble de guide DE FAÇON SÉCURISÉE.

Fig. 7

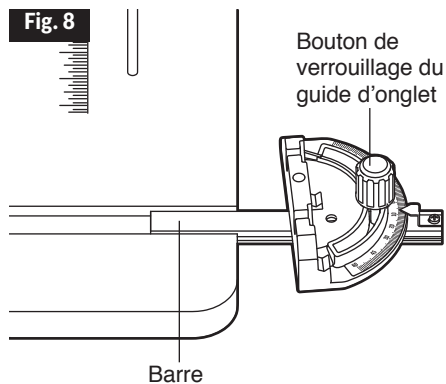


Fixation du guide d'onglet (Fig. 8)

1. Fixez le guide d'onglet à la table en faisant glisser la barre du guide d'onglet dans la fente de la table.

2. Pour régler l'angle d'onglet, desserrez le bouton du guide d'onglet, tournez le guide d'onglet à l'angle souhaité et serrez le bouton à nouveau.

Fig. 8



Fixation des planches à languettes

REMARQUE : Les côtés avant et arrière de chaque planche à languettes sont marqués pour indiquer le sens d'avancement correct de la pièce à usiner.

Les planches à languettes sont livrées déjà assemblées. Desserrez mais ne retirez pas les gros boutons de serrage de chaque boulon.

Fixation de la planche à languettes (sans la barre de glissement) au guide

1. Attachez la planche à languettes au guide en insérant les deux boulons à tête ronde et à col carré dans la fente du guide, en vous assurant que la tête du boulon est bien encliquetée dans la fente et peut glisser librement (Fig. 9a).
2. Serrez les grands boutons de serrage pour attacher la planche à languettes au guide (Fig. 9b).

Fig. 9a

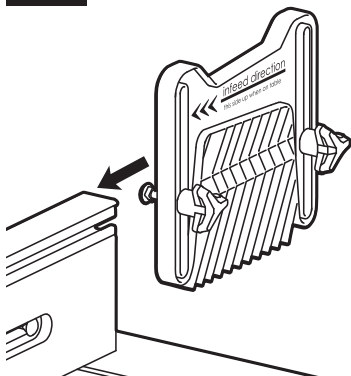
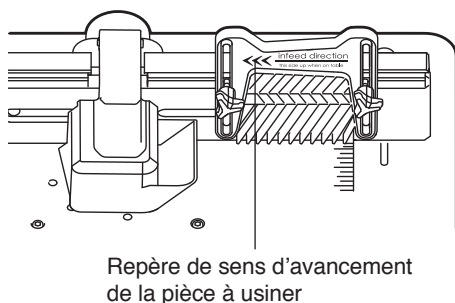


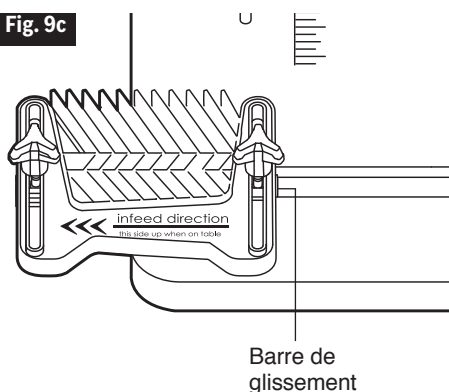
Fig. 9b



Attachez la planche à languettes (avec une barre de glissement) à la surface du dessus de la table (Fig. 9c)

1. Attachez la planche à languettes à la surface du dessus de la table en insérant la barre de glissement, fixée à la planche à languettes, dans la fente de la table, en vous assurant que la barre de glissement peut glisser librement dans la fente.
2. Serrez les grands boutons de serrage pour attacher la planche à languettes au dessus de la table.

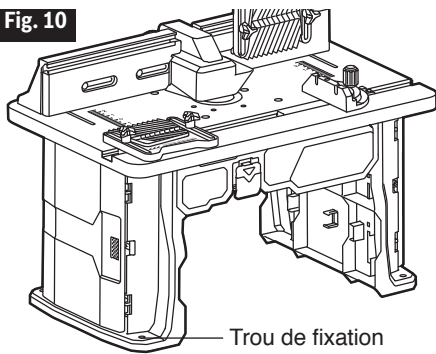
Fig. 9c



Fixation permanente sur un établi (Fig. 10)

Fig. 10

1. Placez la table à toupie sur une surface solide, par exemple un établi.
2. Tout en maintenant la table à toupie en place, marquez les quatre emplacements des trous de fixation de chacun des pieds sur la surface de travail.
3. Retrait de la table à toupie.
4. Percez un trou de diamètre de 9,5 mm-12 mm / 3/8 po-15/32 po dans l'établi à chacun des quatre endroits marqués.
5. Placez la table à toupie sur l'établi et alignez les trous des pieds de la table sur les trous de l'établi.
6. Attachez la table à toupie à l'établi avec quatre boulons de 0,8 cm / 5/16 po (M8) x L et des écrous (non inclus).
 - L = 63 mm / 2-1/2 po pour 2,5 cm / 1 po d'épaisseur de l'établi
 - L = 76 mm / 3 po pour 3,75 cm / 1-1/2 po d'épaisseur de l'établi
7. Serrez bien les boulons à fond.

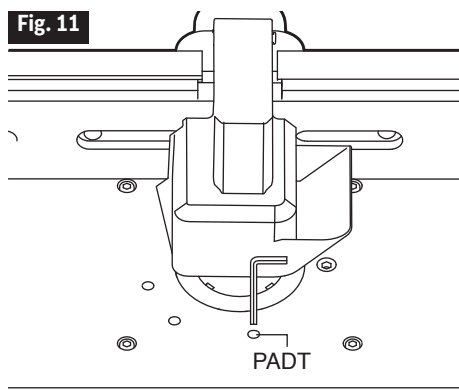


Réglage de la profondeur de perçage (Fig. 11)

Fig. 11

La table à toupie comporte un trou de réglage de la profondeur qui permet d'ajuster la profondeur au-dessus de la table (PADT) pour les toupies SKIL RT1322-00 (base fixe uniquement) et RT1323-00.

1. Desserrez la bride de fixation du moteur sur la toupie. Consultez les modes d'emploi de vos toupies pour obtenir des instructions détaillées.
2. Insérez une clé hexagonale de 4 mm (non fournie) dans le trou de réglage de la profondeur et dans la tige de réglage de la profondeur de la toupie, puis tournez la clé hexagonale pour faire descendre ou monter la douille de la toupie.
3. Lorsque la profondeur de coupe souhaitée est atteinte, serrez la bride de fixation du moteur.



REMARQUE : Consultez les modes d'emploi de vos toupies pour obtenir des instructions détaillées sur le fonctionnement de la bride de fixation du moteur.

FONCTIONNEMENT DE LA TABLE À TOUPIE

Fonctionnement du coffret de l'interrupteur

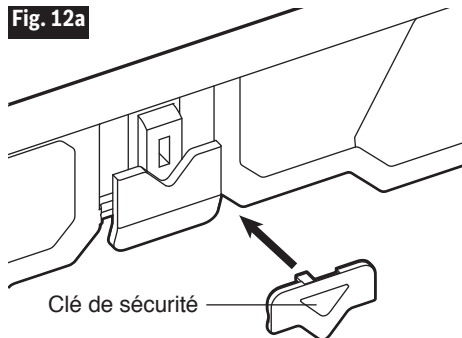
Deux prises sont situées à l'arrière de l'interrupteur de sécurité intégré. Utilisez-en une pour brancher la toupie. L'autre peut être utilisée pour brancher un aspirateur ou un luminaire (non inclus).

⚠ AVERTISSEMENT Pour garantir la sécurité et la fiabilité, quand une prise est utilisée pour la toupie, la capacité de l'autre prise est limitée à 3 A. Le courant total tiré par les deux appareils ne doit pas dépasser 15 A.

⚠ AVERTISSEMENT Lorsque la toupie n'est pas utilisée, ne mettez pas d'autres outils (comme un aspirateur ou un luminaire) sous tension en employant le boîtier de l'interrupteur de la table à toupie.

1. Insérez la clé de sécurité dans l'interrupteur de sécurité intégré (Fig. 12a).
2. Pour mettre l'interrupteur en marche, tirez l'interrupteur de sécurité intégré vers le haut (Fig. 12b).
3. Pour éteindre l'interrupteur, poussez l'interrupteur de sécurité intégré vers le bas (Fig. 12c).

Fig. 12a



⚠ AVERTISSEMENT Ne laissez jamais la toupie sans surveillance lorsqu'elle est en marche ou avant qu'elle ne s'arrête complètement de tourner.

4. Pour verrouiller l'interrupteur de sécurité intégré en position d'arrêt, poussez l'interrupteur de sécurité intégré vers le bas pour éteindre l'outil, puis retirez la clé de sécurité de l'interrupteur.

Fig. 12b

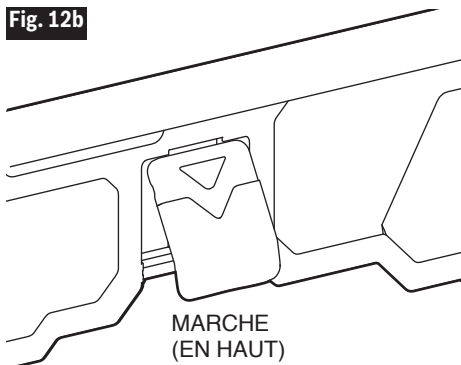
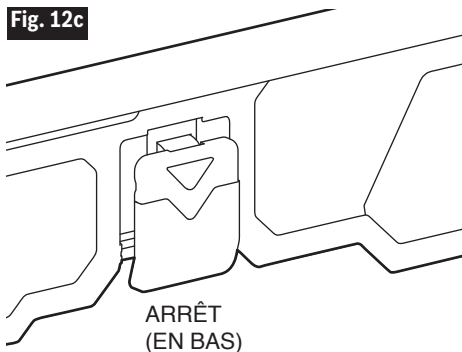


Fig. 12c

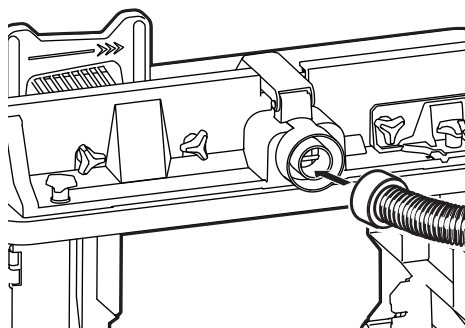


Utilisation d'un aspirateur (Fig. 13)

Les orifices d'aspiration moulés dans le guide sont compatibles avec un tuyau d'aspirateur ou un adaptateur de 1-1/4 po ou de 2-1/2 po. Sélectionnez l'aspirateur en conséquence.

AVIS : L'utilisation de la table à toupie sans aspirateur peut entraîner une accumulation excessive de sciure et de copeaux de bois sous le guide et le dispositif de protection ainsi que dans le cabinet, ce qui réduit les performances de la table à toupie et du guide.

Fig. 13



Boîtes à outils (Fig. 14a et 14b)

Votre table à toupie est livrée avec deux boîtes à outils à portes à charnières. Les boîtes à outils sont montées de façon permanente sur les ensembles de pieds gauche et droit. Les deux boîtes à outils ont des portes à charnières avec des languettes de verrouillage sur le devant. Veuillez noter que les boîtes à outils font partie intégrante des ensembles de pieds et ne doivent pas en être retirées.

Lorsqu'elles ne sont pas utilisées, les mèches de la toupie, les bagues d'insertion, les planches à languettes, la clé et la broche de démarrage peuvent être rangées dans les deux boîtes à outils (Fig. 14a). Le guide d'onglet peut être rangé du côté intérieur de l'un quelconque des deux pieds (Fig. 14b).

Fig. 14a Planches à languettes et zones de stockage

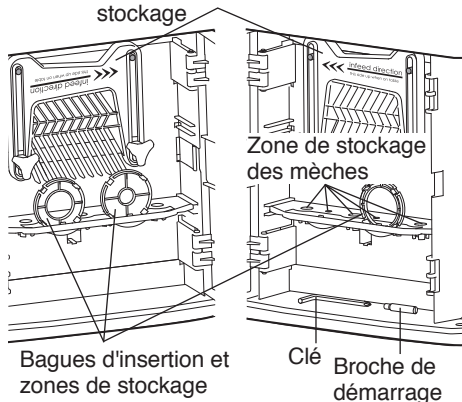
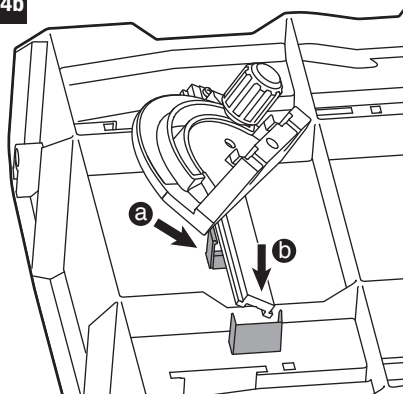


Fig. 14b



OPÉRATIONS GÉNÉRALES DE TOUPILLAGE À L'AIDE DE LA TABLE À TOUPIE

⚠ AVERTISSEMENT

Notez que, en cas d'installation à l'envers dans une table à toupie, le sens de rotation de la mèche de coupe sera dans le SENS CONTRAIRE DES AIGUILLES D'UNE MONTRE.

1. Branchez toujours la toupie dans la prise contrôlée par un interrupteur dans la table à toupie. Ne branchez jamais une toupie montée sur une table dans une autre source d'alimentation électrique.
2. Assurez-vous que l'interrupteur de la table à toupie est éteint, et débranchez la table à toupie.
3. Réglez grossièrement la profondeur de coupe de la toupie avant de la fixer sur la table. Utilisez la clé hexagonale de 4 mm (non fournie) pour effectuer un réglage précis de la profondeur au-dessus de la table après avoir attaché la toupie à la table.
4. Ajustez l'ensemble de guide pour soutenir la pièce à usiner.
5. Placez l'interrupteur de marche/arrêt de la toupie dans la position de marche.
6. Confirmez que tous les réglages de la toupie sont bien verrouillés avant de mettre la toupie sous tension.
7. Branchez le cordon d'alimentation de la table à toupie à une source de courant.
8. Mettez la table à toupie sous tension en tirant sur l'interrupteur de marche/arrêt de la table à toupie.
9. Contrôlez toujours l'alimentation de la toupie à l'aide de l'interrupteur de marche/arrêt de la table à toupie lorsque la toupie est montée sur la table.
10. Faites toujours avancer la pièce de la DROITE vers la GAUCHE (Fig. 15a).

AVIS : La pièce à usiner doit toujours être maintenue fermement contre le guide.

⚠ AVERTISSEMENT Ne faites jamais avancer la pièce à usiner dans le même sens que la rotation de la mèche. Un avancement dans ce sens peut faire grimper la pièce par-dessus la mèche et provoquer des blessures graves (Fig. 15b).

⚠ AVERTISSEMENT Lorsque vous effectuez une coupe latérale ou de bord, ne positionnez jamais le guide de telle sorte que la pièce à usiner se trouve entre la mèche et le guide. Si vous ne tenez pas compte de cet avertissement, vous risquez de vous blesser gravement (Fig. 15c).

Fig. 15a

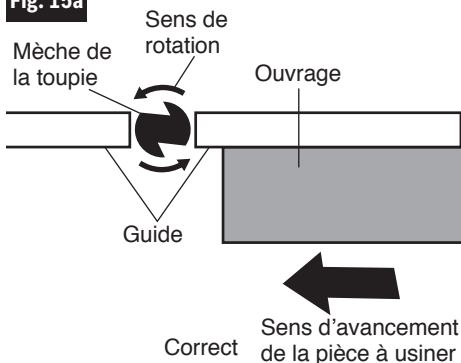
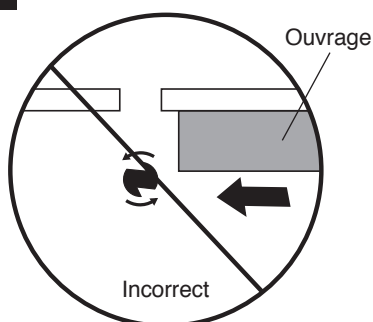
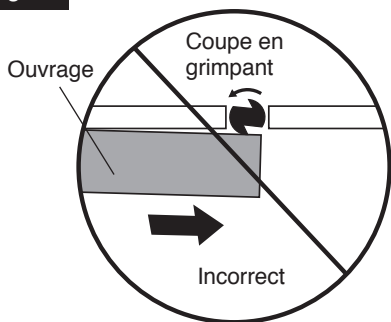


Fig. 15c



Utilisation du guide

Le guide soutient la pièce et permet de la guider. Pour fournir le meilleur support lors des opérations de toupillage, les plaques du guide doivent être aussi proches que possible de la mèche sans entrer en contact avec celle-ci (généralement à environ 6.3 mm / 1/4 po de la mèche).

Déplacement du guide vers l'avant et vers l'arrière (Fig. 16)

1. Desserrez les deux boutons de serrage de l'ensemble de guide.
2. Déplacez l'ensemble de guide vers l'avant ou vers l'arrière le long des fentes jusqu'à la position souhaitée.
3. Serrez les boutons de serrage de l'ensemble de guide.

AVIS :

- Pour les coupes profondes, faites des passes successives et ne coupez JAMAIS plus de 3 mm / 1/8 po de profondeur en une seule passe.
- Pour les coupes plus larges, effectuez plusieurs passes de coupe en déplaçant progressivement le guide vers l'arrière jusqu'à ce que la largeur de coupe souhaitée ait été atteinte.

Coulissement latéral du guide d'entrée et de sortie de la pièce à usiner (Fig. 17)

Le guide d'entrée et le guide de sortie de la pièce à usiner peuvent chacun glisser latéralement pour prolonger le guide.

1. Desserrez les quatre boutons de serrage latéraux.
2. Faites glisser la plaque frontale de chaque guide jusqu'à la position souhaitée.
3. Serrez les boutons de serrage latéraux.

⚠ AVERTISSEMENT Veillez toujours à ce que le

guide et le dispositif de protection ne puissent pas entrer en contact avec la mèche de la toupie. Le non-respect de cette consigne entraînerait des dommages à la table à toupie et pourrait causer des blessures.

Fig. 16 Boutons de serrage de l'ensemble de guide

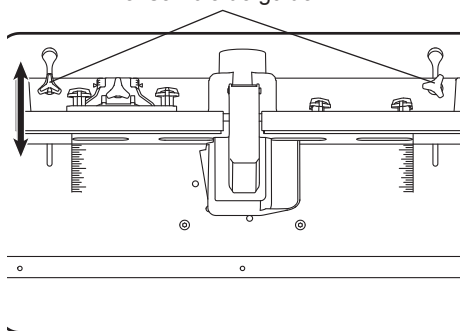
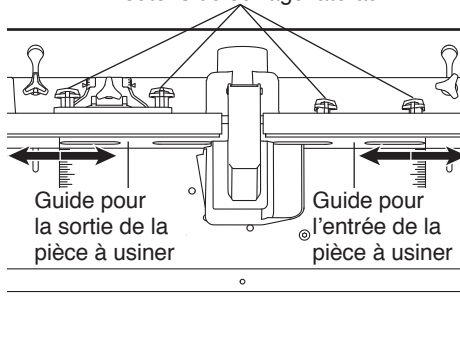


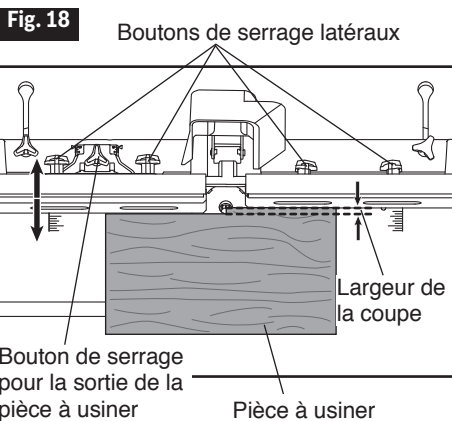
Fig. 17 Boutons de serrage latéraux



Mise en place du guide de sortie pour la jonction (Fig. 18)

Pour les opérations de jonction, le guide de sortie peut être déplacé jusqu'à 6.3 mm / 1/4 po en avant du guide d'entrée pour soutenir la pièce à usiner après son passage à travers la mèche de la toupie.

1. Desserrez le bouton de serrage de la sortie de la pièce à usiner (Fig. 18).
2. Déplacez le guide de sortie en avant du guide d'entrée de la pièce à usiner à une distance égale à la largeur du matériau à enlever de la pièce à usiner.
3. Desserrez les quatre boutons de serrage latéraux. Faites glisser les deux plaques du guide vers la mèche pour minimiser l'espace entre les plaques et la mèche de la toupie. Serrez bien les boutons de serrage latéraux.
4. Desserrez les deux boutons de serrage de l'ensemble de guide, puis déplacez tout l'ensemble de guide de manière à ce que la face avant du guide de sortie soit alignée sur le devant de la mèche de la toupie. Utilisez une règle droite si nécessaire. Serrez les deux boutons de serrage de l'ensemble de guide.

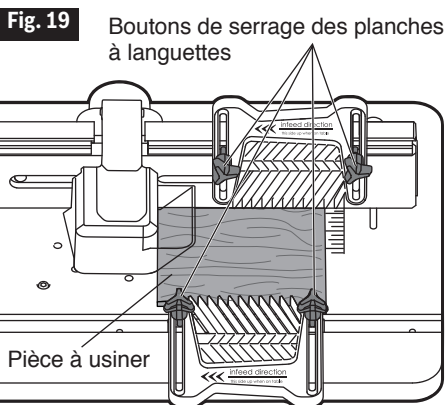


Utilisation des planches à languettes (Fig. 19)

Les planches à languettes sont utiles pour contrôler la pièce à usiner pendant le toupillage, et elles aident à maintenir la pièce à plat sur le dessus de la table et contre le guide. La planche à languettes du dessus de la table, combinée avec la planche à languette du guide, permet de maintenir la pièce à usiner pressée contre le guide et le dessus de la table. Le meilleur emplacement pour les planches à languettes varie en fonction de votre application, de la taille de la pièce à usiner et d'autres facteurs.

1. Installez sans trop serrer la planche à languettes fixée au guide comme cela est décrit dans la section **FIXATION DES PLANCHES À LANGUETTES**.
2. Placez la pièce à usiner sur la table à toupie de manière à ce qu'elle soit bien contre le guide.
3. Positionnez les planches à languettes contre la pièce à usiner et serrez les boutons de serrage des planches à languettes.
4. La pièce à usiner doit se déplacer avec une certaine résistance mais sans exiger un grand effort.

REMARQUE : La planche à languettes du dessus de la table ne peut pas être utilisée pour des pièces à usiner plus larges.



Utilisation de la broche de démarrage (Fig. 20)

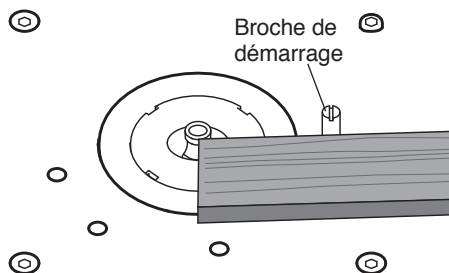
La broche de démarrage est utilisée pour les opérations qui impliquent des courbes de toupillage dans la pièce à usiner.

⚠ AVERTISSEMENT Comme pour toutes les opérations de toupillage, utilisez toujours le dispositif de protection lors du toupillage avec la broche de démarrage. Gardez les mains à une distance suffisante de la mèche. De graves blessures peuvent se produire si vos mains entraînent en contact avec la mèche. N'essayez pas de toupiller de petites pièces.

AVIS :

- Lorsque vous tracez des bords de courbes ou des formes complexes, vous devez utiliser des mèches qui ont des paliers pilotes.
 - Lors de l'utilisation de la broche de démarrage, le sens d'avancement de la pièce à usiner est toujours de la droite vers la gauche sur l'avant de la broche.
1. Désactivez l'interrupteur de sécurité intégré et débranchez la table.
 2. Vissez la broche de démarrage dans la plaque de montage.
 3. Réglez la profondeur de coupe.
 4. Branchez la table et allumez l'interrupteur de sécurité intégré.
 5. Placez la pièce à usiner contre l'avant de la broche de démarrage et introduisez-la lentement dans la mèche.
 6. Lors du toupillage avec une mèche à palier pilote, assurez-vous que la pièce à usiner est toujours en contact avec le palier pilote de la mèche.

Fig. 20



Utilisation du guide d'onglet (Fig. 21a et 21b)

REMARQUE : Pour TOUTES les opérations de toupillage nécessitant l'utilisation de la jauge à onglets avec le guide, ASSUREZ-VOUS d'aligner le guide à l'aide des échelles situées sur le dessus de la table à toupie avant d'effectuer de quelconques coupes (Fig. 21a).

Les onglets peuvent être coupés en desserrant le bouton de la jauge à onglets, en tournant la jauge à onglets jusqu'à 60° dans l'une ou l'autre direction et en resserrant le bouton de la jauge à onglets (Fig. 21b).

Faites un test de passage avec une pièce à usiner avant de faire une coupe pour vous assurer que le guide est correctement aligné. Ajustez au besoin et fixez solidement le guide avant de faire la coupe.

Fig. 21a

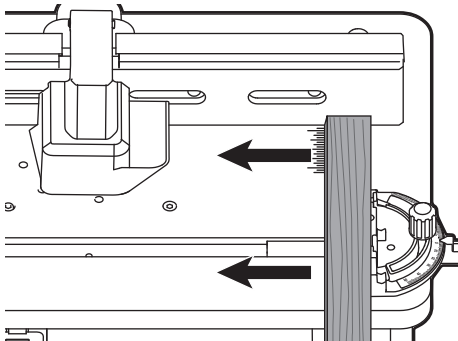
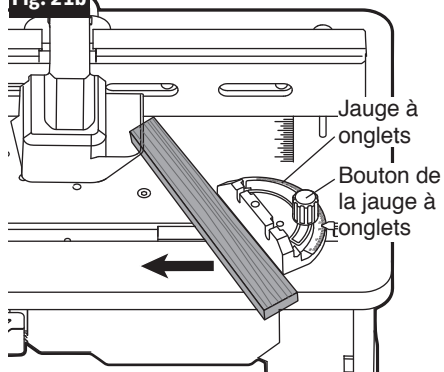


Fig. 21b



MAINTENANCE

Service après-vente

⚠ AVERTISSEMENT Lors de toute réparation n'utilisez que des pièces de rechange SKIL identiques. L'utilisation de toutes autres pièces de rechange pourrait créer un danger ou endommager le produit.

Nettoyage

Évitez d'utiliser des solvants lorsque vous nettoyez des pièces en plastique. La plupart des plastiques sont susceptibles d'être endommagés par divers types de solvants commerciaux, et ils pourraient l'être si vous les utilisez. Utilisez un chiffon propre pour retirer les saletés, la poussière, l'huile, la graisse, etc.

⚠ AVERTISSEMENT Ne laissez jamais de liquide de frein, d'essence, de produits à base de pétrole, d'huiles pénétrantes, etc. entrer en contact avec des composants en plastique. Les produits chimiques peuvent endommager, affaiblir ou détruire le plastique, ce qui pourrait causer des blessures graves.

⚠ AVERTISSEMENT Portez toujours des lunettes de sécurité ou de protection avec des écrans latéraux pendant le fonctionnement d'un outil électrique ou lorsque vous soufflez de la poussière. Si la procédure produit de la poussière, portez également un masque de protection contre la poussière.

GARANTIE LIMITÉE DES OUTILS ÉLECTRIQUES FILAIRES SKIL DESTINÉS À UN USAGE RÉSIDENTIEL

GARANTIE LIMITÉE D'UN AN – LÉGALE

Chervon North America, Inc. (le « Vendeur ») garantit à l'acheteur initial seulement que tous les OUTILS ÉLECTRIQUES FILAIRES SKIL destinés à un usage résidentiel seront exempts de défauts de matériaux ou de fabrication pour une période d'un an à compter de la date d'achat si l'acheteur initial enregistre l'article dans les 30 jours suivant la date de l'achat. L'enregistrement du produit peut être effectué en ligne à www.Registermyskil.com. Les acheteurs doivent également conserver leur reçu comme justificatif de leur achat. Une garantie limitée s'appliquera pendant une durée d'un an pour les outils. Nous encourageons les acheteurs initiaux à enregistrer leur produit dans les 30 jours suivant la date de l'achat pour confirmer leur garantie limitée.

Une garantie limitée s'appliquera pendant une durée d'un an pour les outils filaires. Nous encourageons les acheteurs initiaux à enregistrer leur produit dans les 30 jours suivant la date de l'achat pour confirmer leur garantie limitée.

Nonobstant les dispositions précédentes, si un outil SKIL destiné à un usage résidentiel est utilisé à des fins industrielles, professionnelles ou commerciales, la garantie susmentionnée ne s'appliquera que pour une période de quatre-vingt-dix (90) jours, que l'outil ait été enregistré ou non.

LA SEULE OBLIGATION DU VENDEUR ET VOTRE RECOURS EXCLUSIF au titre de cette garantie limitée et, dans les limites permises par la loi, de toute garantie ou condition prévue par la loi, est la réparation ou le remplacement, sans frais, des pièces qui présentent un défaut matériel ou de fabrication, qui n'ont pas fait l'objet d'un usage abusif ou inapproprié et qui n'ont pas été réparées par des personnes autres que le vendeur ou un technicien d'un centre de service autorisé. Pour effectuer une réclamation au titre de la présente garantie limitée, vous devez retourner, port payé, l'article en entier à un centre de service de l'usine de SKIL ou à un centre de service autorisé. Pour communiquer avec un centre de service autorisé de SKIL Power Tools, veuillez visiter le www.Registermyskil.com ou composer le 1 877 SKIL-999 (1 877 754-5999).

CETTE GARANTIE LIMITÉE NE S'APPLIQUE PAS AUX PIÈCES NÉCESSITANT UN ENTRETIEN DE ROUTINE ET AUX CONSOMMABLES QUI PEUVENT S'USER PENDANT UNE UTILISATION NORMALE PENDANT LA PÉRIODE DE GARANTIE TELS QUE LES LAMES, LES FORETS, LES FRAISES À TOUPIE, LES COURROIES DE PONÇAGE, LES MEULES ET LES AUTRES ACCESSOIRES CONNEXES.

TOUTE GARANTIE IMPLICITE APPLICABLE À UN ARTICLE EST LIMITÉE À UNE DURÉE ÉGALE À LA DURÉE DES GARANTIES EXPRESSES APPLICABLES À UN TEL ARTICLE, COMME IL EST INDIQUÉ AU PREMIER PARAGRAPHE CI-DESSUS. ÉTANT DONNÉ QUE CERTAINS ÉTATS DES ÉTATS-UNIS ET CERTAINES PROVINCES DU CANADA NE PERMETTENT PAS DE LIMITATIONS QUANT À LA DURÉE DES GARANTIES IMPLICITES, IL SE PEUT QUE LES LIMITATIONS INDIQUÉES CI-DESSUS NE S'APPLIQUENT PAS À VOUS.

CETTE GARANTIE LIMITÉE NE COUVRE PAS LES DOMMAGES RÉSULTANT D'UNE MODIFICATION, D'UNE ALTÉRATION OU D'UNE RÉPARATION NON AUTORISÉE.

LE VENDEUR NE SERA EN AUCUN CAS TENU RESPONSABLE DES DOMMAGES ACCESSOIRES OU CONSÉCUTIFS (Y COMPRIS, SANS TOUTEFOIS S'Y LIMITER, DES PERTES DE PROFIT) RÉSULTANT DE LA VENTE OU DE L'USAGE DE CET ARTICLE. ÉTANT DONNÉ QUE CERTAINS ÉTATS DES ÉTATS-UNIS ET CERTAINES PROVINCES DU CANADA NE PERMETTENT PAS L'EXCLUSION OU LA LIMITATION DES DOMMAGES ACCESSOIRES OU CONSÉCUTIFS, IL SE PEUT QUE LA LIMITATION OU L'EXCLUSION SUSMENTIONNÉE NE S'APPLIQUE PAS À VOUS.

CETTE GARANTIE LIMITÉE VOUS CONFÈRE DES DROITS PRÉCIS. IL EST POSSIBLE QUE VOUS DISPOSIEZ ÉGALEMENT D'AUTRES DROITS, QUI VARIENT D'UN ÉTAT À L'AUTRE DES ÉTATS-UNIS, D'UNE PROVINCE À L'AUTRE AU CANADA OU D'UN PAYS À L'AUTRE. CETTE GARANTIE LIMITÉE S'APPLIQUE UNIQUEMENT AUX OUTILS VENDUS AUX ÉTATS-UNIS D'AMÉRIQUE, AU CANADA ET DANS LE COMMONWEALTH DE PORTO RICO. POUR CONNAÎTRE LA COUVERTURE DE GARANTIE DANS LES AUTRES PAYS, CONTACTEZ VOTRE IMPORTATEUR OU REVENDEUR SKIL LOCAL.

© Chervon North America, 1203 E. Warrenville Rd, Naperville, IL 60563.

ÍNDICE

Advertencias generales de seguridad para herramientas de banco . . .	61-62
Advertencias de seguridad específicas para la mesa de fresadora . . .	62-64
Ubicación incorrecta del tope-guía y avance incorrecto de la pieza de trabajo	64-65
Información importante sobre los cables de extensión	65
Instrucciones de conexión a tierra	66
Símbolos.	67-70
Lista de piezas.	71-72
Familiarícese con su mesa de fresadora	73
Especificaciones	73
Montaje de la mesa de fresadora	74-80
Utilización de la mesa de fresadora	81-82
Operaciones generales de fresado con la mesa de fresadora	83-87
Mantenimiento.	88
Garantía limitada para las herramientas eléctricas alámbricas de consumo SKIL	89-90

⚠ ADVERTENCIA

- Parte del polvo causado por el lijado eléctrico, el serruchado, la trituración, el taladro y otras actividades de construcción contiene sustancias químicas que, según el estado de California, causan cáncer, defectos congénitos u otros daños reproductivos. Algunos ejemplos de estos productos químicos son:
 - Plomo de pinturas a base de plomo.
 - Silíce cristalina de ladrillos, cemento y otros productos de mampostería.
 - Arsénico y cromo de madera tratada con químicos.
- El riesgo que corre debido a la exposición a estos químicos varía según la frecuencia con que realiza este tipo de trabajo. Para reducir la exposición a estas sustancias químicas:
 - Trabaje en un área bien ventilada.
 - Trabaje con equipo de seguridad aprobado, como las mascarillas antipolvo especialmente diseñadas para filtrar partículas microscópicas.
 - Evite estar en contacto prolongado con el polvo provocado por el lijado, el aserrado, la trituración y el taladrado, y otras actividades de construcción. Use ropa protectora y lave todas las áreas expuestas del cuerpo con agua y jabón. Si permite que el polvo llegue a su boca o a sus ojos, o que caiga sobre la piel, podría fomentar la absorción de productos químicos dañinos.

ADVERTENCIAS GENERALES DE SEGURIDAD PARA HERRAMIENTAS DE BANCO

Mantenga los protectores instalados y en buenas condiciones de funcionamiento.

Retire las llaves de ajuste y de tuerca. Forme el hábito de echar un vistazo para comprobar que las llaves de ajuste y de tuerca se hayan retirado de la herramienta antes de encenderla.

Mantenga limpia el área de trabajo. Las áreas y los bancos desordenados invitan a que se produzcan accidentes.

No utilice herramientas en un entorno peligroso. No utilice herramientas eléctricas en lugares húmedos o mojados, ni las exponga a la lluvia. Mantenga bien iluminada el área de trabajo.

Mantenga alejados a los niños. Se deberá mantener a todos los visitantes a una distancia segura del área de trabajo.

Haga el taller a prueba de niños con candados e interruptores maestros, o retirando las llaves de arranque.

No fuerce la herramienta. Esta hará el trabajo mejor y de manera más segura a la velocidad para la que fue diseñada.

Utilice la herramienta adecuada. No fuerce la herramienta o el aditamento a hacer un trabajo para el que no se diseñó.

Use indumentaria adecuada. No use ropa holgada, guantes, corbatas, anillos, pulseras u otras joyas que puedan quedar atrapados en las piezas móviles. Se recomienda usar calzado antideslizante.

Use una cubierta protectora del pelo para sujetar el pelo largo.

Use siempre anteojos de seguridad. Use también una careta o una máscara antipolvo si la operación de corte genera grandes cantidades de polvo. Los anteojos de uso diario solo tienen lentes resistentes a los impactos NO son anteojos de seguridad.

Fije la pieza de trabajo. Utilice abrazaderas o una prensa de tornillo para sujetar la pieza de trabajo cuando sea práctico. Esto es más seguro que utilizar la mano y libera ambas manos para utilizar la herramienta.

No intente alcanzar demasiado lejos. Mantenga un apoyo de los pies y un equilibrio adecuados en todo momento.

Mantenga las herramientas con cuidado. Mantenga las herramientas afiladas y limpias para obtener el mejor y más seguro rendimiento. Siga las instrucciones de lubricación y cambio de accesorios.

Desconecte las herramientas antes de hacer servicio de ajustes y reparaciones o cuando cambie accesorios, tales como hojas, brocas, cortadores y elementos similares.

Reduzca el riesgo de arranques accidentales. Asegúrese de que el interruptor esté en la posición de apagado antes de enchufar la herramienta.

Utilice accesorios recomendados. Consulte el manual del propietario para informarse sobre los accesorios recomendados. Es posible que el uso de accesorios inadecuados cause un riesgo de lesiones a las personas.

No se suba nunca a la herramienta. Podrían ocurrir lesiones graves si se inclina la herramienta o si se entra en contacto accidentalmente con la herramienta de corte.

Compruebe las piezas dañadas. Antes de seguir utilizando la herramienta, un protector u otra pieza que presente daños se deberá comprobar cuidadosamente para determinar si funcionará correctamente y realizará su función prevista. Compruebe la alineación de las piezas móviles, si hay atoramiento de piezas móviles, si hay rotura de piezas, el montaje y cualquier otra situación que pueda afectar a su funcionamiento. Un protector u otra pieza que presente daños deberá ser reparado o reemplazado adecuadamente.

Sentido de avance. Haga avanzar la pieza de trabajo hacia una hoja o un cortador solo contra el sentido de rotación de la hoja o del cortador.

No deje nunca desatendida una herramienta que esté en funcionamiento. Apague la herramienta. No deje la herramienta hasta que se haya detenido por completo.

ADVERTENCIAS DE SEGURIDAD ESPECÍFICAS PARA LA MESA DE FRESADORA

Por su propia seguridad, lea el manual del propietario antes de utilizar la fresadora o la mesa de fresadora.

Use siempre protección ocular.

Levante la mesa de fresadora solo por los bordes de la mesa. Si se levanta la mesa por cualquier otra superficie se podrían causar lesiones corporales.

No utilice la mesa de fresadora hasta que se hayan completado todos los pasos de ensamblaje e instalación. Antes de cada uso, verifique que los sujetadores y las abrazaderas de la fresadora estén apretados. Una mesa o una fresadora floja es inestable y es posible que se desplace durante el uso, causando daños materiales o lesiones corporales graves.

Desconecte la fresadora de la fuente de alimentación antes de instalar la fresadora en la mesa, hacer ajustes, cambiar accesorios, retirar la fresadora de la mesa, realizar mantenimiento o almacenar la herramienta. Dichas medidas preventivas de seguridad reducen el riesgo de un funcionamiento accidental de la herramienta.

No enchufe el cable de alimentación del motor de la fresadora en un tomacorriente de pared estándar. Enchufe siempre el cable de la fresadora en la caja del interruptor de la mesa de fresadora. Los interruptores y los controles de las herramientas eléctricas tienen que estar al alcance de la mano en situaciones de emergencia.

No permita que los dedos toquen los terminales del enchufe cuando inserte el enchufe en el tomacorriente o lo saque del mismo. Riesgo de descargas eléctricas.

Antes de conectar una fresadora o una aspiradora a la caja del interruptor de la mesa de fresadora, asegúrese de que el interruptor de la fresadora o de la aspiradora esté en la posición de apagado y que la caja del interruptor de la mesa de fresadora esté desenchufada. Dichas medidas preventivas de seguridad reducen el riesgo de un funcionamiento accidental de la herramienta.

Antes de utilizar la mesa de fresadora, verifique que la fresadora esté firmemente sujeta con abrazaderas a la base de la mesa de fresadora. Mientras trabaja, compruebe periódicamente la firmeza de los sujetadores de la base de la fresadora. Las vibraciones generadas por las operaciones de corte pueden hacer que las abrazaderas del motor de la fresadora se aflojen y es posible que el motor de la fresadora se caiga de la mesa.

Antes de comenzar a trabajar, asegúrese de que los cables de alimentación de los accesorios de la fresadora, la caja del interruptor y el cable de extensión no entren ni puedan entrar en contacto con la fresadora o con cualquier pieza móvil de la fresadora. Dichas medidas preventivas de seguridad reducen el riesgo de lesiones debido a una pérdida de control.

No utilice la mesa de fresadora sin el protector superior, a menos que sea requerido por una operación de corte en particular. Reinstale de inmediato el protector después de completar la operación de corte. Retire todo el polvo, todas las virutas y todas las demás partículas extrañas que puedan afectar a su funcionamiento. El protector ayudará a evitar que las manos entren en contacto accidental con la broca que gira.

No utilice brocas que tengan un diámetro de corte que exceda el agujero de paso ubicado en la placa de inserción del tablero de la mesa o los anillos de inserción. La broca podría entrar en contacto con la placa de inserción o el anillo de inserción, y con ello arrojar fragmentos.

No utilice nunca brocas desafiladas o dañadas. Las brocas dañadas se pueden partir durante el uso. Las brocas desafiladas requieren más fuerza para empujar la pieza de trabajo, lo cual puede que haga que la broca se rompa o que el material experimente retroceso.

Maneje con cuidado las brocas afiladas. Dichas medidas preventivas de seguridad reducen el riesgo de lesiones.

No altere el anillo de inserción ni el agujero para la broca de la placa de inserción. Empareje el diámetro de corte de la broca con el diámetro interior del anillo de inserción o el agujero para la broca de la placa de inserción, de manera que la diferencia sea de no menos de 1/16 de pulgada (1,6 mm) en un lado. Los anillos de inserción tienen como fin reducir la holgura entre el diámetro de corte de la broca y la mesa para que las piezas de trabajo mantengan un soporte completo de la mesa mientras se está fresando.

Instale la broca de acuerdo con las instrucciones contenidas en el manual de la fresadora. Fije firmemente la broca de fresadora en el mandril del portaherramienta antes de hacer cualquier corte. Al fijar la broca antes de cortar se reduce el riesgo de que la broca se afloje durante su utilización.

No ponga nunca los dedos cerca de una broca que esté girando ni debajo del protector cuando la fresadora esté enchufada. Dichas medidas preventivas de seguridad reducen el riesgo de lesiones.

No sostenga nunca la pieza de trabajo sobre el lado de avance de salida de la broca. Es posible que al presionar la pieza de trabajo contra el lado de avance de salida del tope-guía se haga que el material se atore y cause posible retroceso, jalando la mano del operador hacia la broca.

Guíe la pieza de trabajo con el tope-guía para mantener el control de la pieza de trabajo. No coloque la pieza de trabajo entre la broca de fresadora y el tope-guía mientras está fresando el borde. Esta colocación hará que el material se enganche en cuña, haciendo que el retroceso sea posible.

Utilice fresadoras solo para trabajar con madera, productos parecidos a la madera, plástico o laminados. No utilice la fresadora ni la mesa de fresadora para cortar o afilar metales. Asegúrese de que la pieza de trabajo no contenga clavos ni otros objetos duros. Es posible que el corte de clavos cause pérdida de control de la herramienta o de la pieza de trabajo.

No arranque nunca la herramienta cuando la broca esté acoplada en el material. Es posible que el borde de corte de la broca atrape el material y con ello cause pérdida de control de la pieza de trabajo.

Haga avanzar la pieza de trabajo solo contra el sentido de rotación de la broca. No “retroavance” la pieza de trabajo hacia la broca. La broca rota en sentido contrario al de las agujas del reloj según se ve desde la parte superior de la mesa. El “retroavance” hará que la pieza de trabajo “trepe” por la broca, jalando la pieza de trabajo y posiblemente las manos del usuario hacia la broca que rota.

No haga avanzar la pieza de trabajo hacia la broca donde la mayor parte de la pieza de trabajo esté entre el tope-guía y la broca. Esto crea una “trampa en el tope-guía”, que es una situación peligrosa debido a que la broca estará al descubierto. Esto hará que la pieza de trabajo “trepe al cortarla”, alejándose del tablero de la mesa, y es posible que cause pérdida de control durante la utilización de la herramienta.

No corte material que esté arqueado, tambaleante o inestable de alguna otra manera. La mesa de fresadora está diseñada para cortar materiales planos, rectos y cuadrados. Si el material está ligeramente curvado, pero por lo demás es estable, córtelo con el lado cóncavo contra la mesa o el tope-guía. Es posible que al cortar el material con el lado cóncavo hacia arriba o alejándose de la mesa se haga que el material arqueado o tambaleante rueda y experimente retroceso, haciendo que el usuario pierda el control.

Utilice soportes auxiliares de avance de entrada y de avance de salida para piezas de trabajo largas o anchas. Las piezas de trabajo extragrandes sin soporte adecuado pueden voltear la mesa o hacer que la mesa se incline.

Utilice un palo de empujar, tablas con canto biselado (palos de resorte) montadas vertical y horizontalmente, y otros posicionadores para sujetar la pieza de trabajo. Los palos de empujar, las tablas con canto biselado y los posicionadores eliminan la necesidad de agarrar la pieza de trabajo cerca de la broca que gira.

No suelte nunca la pieza de trabajo cuando esté fresando hasta que el corte se haya completado y la pieza de trabajo esté completamente separada de la broca. Dichas medidas preventivas de seguridad reducen el riesgo de lesiones y daños materiales. Las tablas con canto biselado ayudan a sujetar la pieza de trabajo en la posición deseada cuando se está fresando en una mesa de fresadora. No tienen como fin sujetar por sí solas la pieza de trabajo en la posición deseada cuando la pieza de trabajo está en contacto con la broca o en cualquier otro momento en que la broca esté girando.

Sostenga siempre la pieza de trabajo contra el tope-guía de la mesa de fresadora cuando esté fresando. Dichas medidas preventivas de seguridad aumentan la precisión del fresado y mejoran el control de la pieza de trabajo, con lo cual se reduce el riesgo de lesiones.

No deje nunca desatendida la fresadora mientras esté en funcionamiento o antes de que se detenga por completo. Dichas medidas preventivas de seguridad reducen el riesgo de lesiones y daños materiales.

No utilice la mesa como banco de trabajo o superficie de trabajo. Es posible que su utilización para fines que no sean fresar cause daños y la haga insegura para utilizarla en operaciones de fresado.

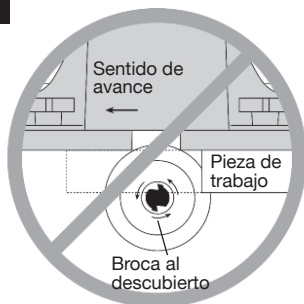
No se suba nunca a la mesa ni la utilice como escalera de mano o andamio. La mesa se podría inclinar o la herramienta de corte podría ser contactada accidentalmente.

Cuando haga servicio de ajustes y reparaciones de la herramienta, utilice solo piezas de repuesto SKIL recomendadas. La utilización de piezas no autorizadas o el no seguir las instrucciones de mantenimiento puede causar lesiones corporales.

UBICACIÓN INCORRECTA DEL TOPE-GUÍA Y AVANCE INCORRECTO DE LA PIEZA DE TRABAJO

⚠ ADVERTENCIA No haga avanzar la pieza de trabajo donde la mayor parte de la misma esté entre el tope-guía y la broca. Este crea una “trampa en el tope-guía” que es peligrosa por dos motivos:

Fig. A

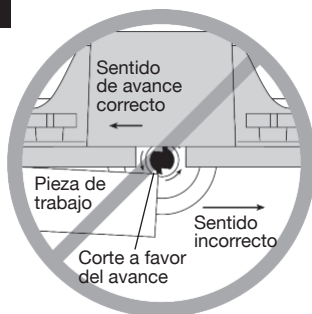


- La parte delantera de la broca está al descubierto durante la operación de corte (Fig. A).
- La broca puede “cortar a favor del avance”, donde la broca entra en la pieza de trabajo en el mismo sentido que el sentido de avance. Es probable que esto haga que la pieza de trabajo “trepe”, alejándose del tablero de la mesa, y es posible que cause pérdida de control durante la utilización de la herramienta (Fig. A).

⚠ ADVERTENCIA Haga avanzar la pieza de trabajo solo contra el sentido de rotación de la broca. No “retroavance” la pieza de trabajo hacia la broca.

La broca rota en sentido contrario al de las agujas del reloj según se ve desde la parte superior de la mesa. El “retroavance” de la pieza de trabajo es peligroso por dos motivos:

Fig. B



- Causará corte a favor del avance, donde la pieza de trabajo pueda “trepar” y salirse del tablero de la mesa en el sentido de rotación de la broca, jalando la pieza de trabajo y posiblemente las manos del operador hacia la broca que rota (Fig. B).
- Es difícil mantener la pieza de trabajo contra la cara del tope-guía, ya que la rotación de la broca empujará la pieza de trabajo alejándola del tope-guía.

INFORMACIÓN IMPORTANTE SOBRE LOS CABLES DE EXTENSIÓN

⚠ ADVERTENCIA Se debe usar un cable de extensión con conductores de tamaño adecuado que sea capaz de transportar la corriente para su herramienta. Esto prevendrá una caída excesiva de tensión, la pérdida de potencia o el sobrecalentamiento. Las herramientas conectadas a tierra deben usar cables de extensión de 3 alambres que tengan enchufes y tomacorrientes de 3 terminales.

NOTA: Cuanto más pequeño sea el número de calibre, más grueso será el cable.

TAMAÑOS DE CABLES DE EXTENSIÓN RECOMENDADOS PARA HERRAMIENTAS DE CORRIENTE ALTERNA DE 120 V

Amperaje nominal de la herramienta	Tamaño del cable en A.W.G.				Tamaño del alambre en mm ²			
	Longitud del cable en pies				Longitud del cable en metros			
	25	50	100	150	15	30	60	120
3-6	18	16	16	14	0.75	0.75	1.5	2.5
6-8	18	16	14	12	0.75	1.0	2.5	4.0
8-10	18	16	14	12	0.75	1.0	2.5	4.0
10-12	16	16	14	12	1.0	2.5	4.0	-
12-16	14	12	-	-	-	-	-	-

INSTRUCCIONES DE CONEXIÓN A TIERRA

En caso de mal funcionamiento o avería, la conexión a tierra proporciona un camino de resistencia mínima para la corriente eléctrica, con el fin de reducir el riesgo de descargas eléctricas. Esta herramienta está equipada con un cable eléctrico que tiene un conductor de conexión a tierra del equipo y un enchufe de conexión a tierra. El enchufe se debe introducir en un tomacorriente coincidente que esté instalado y conectado a tierra adecuadamente, de acuerdo con todos los códigos y ordenanzas locales.

No modifique el enchufe suministrado. Si el enchufe no encaja en el tomacorriente, haga que un electricista calificado instale un tomacorriente adecuado.

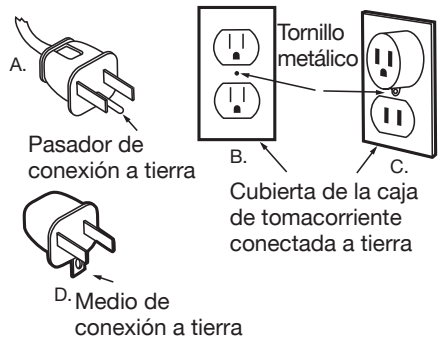
La conexión incorrecta del conductor de conexión a tierra del equipo puede causar un riesgo de descargas eléctricas. El conductor con aislamiento que tiene una superficie exterior de color verde con o sin franjas amarillas es el conductor de conexión a tierra del equipo. En el caso de que haya que hacer alguna reparación o reemplazo, no conecte el conductor de conexión a tierra del equipo a un terminal con corriente.

Consulte a un electricista calificado o a personal de servicio calificado si no entiende completamente las instrucciones de conexión a tierra o si tiene dudas sobre si la herramienta está conectada a tierra adecuadamente.

Utilice únicamente cables de extensión de 3 alambres que tengan enchufes de tipo de conexión a tierra de 3 terminales y tomacorrientes de 3 polos que acepten el enchufe de la herramienta.

Repare o reemplace inmediatamente un cable dañado o desgastado.

Esta herramienta está diseñada para utilizarse en un circuito que tenga un tomacorriente (dibujo B). La herramienta tiene una espiga de conexión a tierra (dibujo A). Se puede utilizar un adaptador temporal (dibujos C y D) para conectar este enchufe a un tomacorriente de 2 polos (dibujo C), si un electricista calificado no instala un tomacorriente conectado a tierra adecuadamente. La orejeta, lengüeta y elemento similar rígido de color verde que sobresale del adaptador se debe conectar a una toma de tierra permanente, tal como un tomacorriente conectado a tierra adecuadamente.







SÍMBOLOS

Símbolos de seguridad

El objetivo de los símbolos de seguridad es captar su atención ante posibles peligros. Los símbolos de seguridad y las explicaciones que se dan merecen su atención y comprensión cuidadosa. Las advertencias del símbolo no eliminan por sí mismas ningún peligro. Las instrucciones y las advertencias que se dan no son substitutos de las medidas adecuadas de prevención de accidentes.

⚠ ADVERTENCIA Asegúrese de leer y de comprender todas las instrucciones de seguridad en este manual del propietario, incluidos todos los símbolos de alerta de seguridad como **“PELIGRO”**, **“ADVERTENCIA”** y **“PRECAUCIÓN”** antes de usar esta herramienta. El incumplimiento de las siguientes instrucciones puede provocar descargas eléctricas, incendios y/o lesiones personales graves.

Las definiciones que se ofrecen a continuación describen el nivel de gravedad de cada símbolo. Lea el manual y preste atención a dichos símbolos.	
	Este es el símbolo de advertencia de seguridad. Se utiliza para advertirlo de los peligros de posibles lesiones personales. Cumpla con todos los mensajes de seguridad a continuación de este símbolo para evitar posibles lesiones o consecuencias fatales.
	PELIGRO indica una situación de peligro que, de no evitarse, ocasionará la muerte o lesiones graves.
	ADVERTENCIA indica una situación potencialmente peligrosa que, de no evitarse, puede ocasionar la muerte o lesiones graves.
	PRECAUCIÓN, se usa con el símbolo de advertencia de seguridad e indica una situación peligrosa que, de no evitarse, puede causar lesiones menores o moderadas.

Mensajes de prevención de daños e información

Estos mensajes informan al usuario sobre informaciones y/o instrucciones importantes que, de no seguirse, pueden causar daños al equipo o la propiedad. Antes de cada mensaje, aparece la palabra “AVISO”, como en el ejemplo a continuación:










AVISO: Si no se siguen estas instrucciones se pueden producir daños al equipo o la propiedad.






⚠ ADVERTENCIA Durante el funcionamiento de cualquier herramienta eléctrica, pueden entrar objetos extraños a los ojos y causar graves daños oculares. Use siempre lentes o gafas de seguridad con protecciones laterales y, cuando sea necesario, un protector facial que cubra todo el rostro antes de comenzar a operar una herramienta eléctrica. Recomendamos usar una máscara de seguridad de visión amplia sobre los lentes o las gafas de seguridad estándar con protección lateral. Siempre use lentes de protección que cumplan con la norma ANSI Z87.1.

SÍMBOLOS (CONTINUACIÓN)



IMPORTANTE: Algunos de los siguientes símbolos pueden aparecer en sus herramientas. Obsérvelos y conozca su significado. La interpretación correcta de estos símbolos le permitirá utilizar la herramienta de manera eficaz y segura.

Símbolo	Nombre	Designación/Explicación
V	Voltios	Voltaje
A	Amperios	Corriente
Hz	Hertz	Frecuencia (ciclos por segundo)
W	Vatios	Alimentación
kg	Kilogramos	Peso
min	Minutos	Hora
s	Segundos	Hora
Wh	Vatio por horas	Capacidad de la batería
Ah	Amperios por hora	Capacidad de la batería
∅	Diámetro	Tamaño de las brocas para taladro, piedras de amolar, etc.
n_0	Velocidad sin carga	Velocidad de rotación sin carga
n	Rango de velocidad	Velocidad máxima alcanzable
.../min	Revoluciones o recíprocaciones por minuto (rpm)	Revoluciones, pasadas, velocidad de superficie, órbitas, etc. por minuto
O	Posición de apagado	Velocidad cero, torsión cero...
1,2,3,... I,II,III,	Ajustes del selector	Ajustes de velocidad, par o posición. Un número mayor significa mayor velocidad
	Selector de regulación continua con apagado	La velocidad aumenta desde el ajuste 0
	Flecha	Acción en la dirección de la flecha
	Corriente alterna (CA)	Tipo o característica de corriente
	Corriente continua (CC)	Tipo o característica de corriente
	Corriente alterna o continua (CA/CC)	Tipo o característica de corriente
	Herramienta de Clase II	Designa las herramientas de construcción con doble aislamiento
	Conexión a tierra de protección	Terminal de conexión a tierra
	Sello de iones de litio de RBRC	Designa el programa de reciclaje de baterías de iones de litio
	Lea las instrucciones	Indica al usuario que lea el manual

Símbolo	Nombre	Designación/Explicación
	Símbolo de uso de lentes de protección	Alerta al usuario para que use protección ocular
	Utilice siempre la herramienta con las dos manos	Alerta al usuario para que utilice siempre la herramienta con las dos manos
	No utilice el protector para operaciones de tronzado	Alerta al usuario para que no utilice el protector para operaciones de tronzado

SÍMBOLOS (INFORMACIÓN DE CERTIFICACIÓN)

IMPORTANTE: Algunos de los siguientes símbolos de información de certificación pueden aparecer en sus herramientas. Obsérvelos y conozca su significado. La interpretación correcta de estos símbolos le permitirá utilizar la herramienta de manera eficaz y segura.

Símbolo	Designación/Explicación
	Este símbolo designa que esta herramienta está incluida en la lista de Underwriters Laboratories.
	Este símbolo designa que esta herramienta es reconocida por Underwriters Laboratories.
	Este símbolo designa que esta herramienta está incluida en la lista de Underwriters Laboratories, conforme a las normas de Estados Unidos y Canadá.
	Este símbolo designa que esta herramienta está incluida en la lista de Canadian Standards Association.
	Este símbolo designa que esta herramienta está incluida en la lista de Canadian Standards Association, conforme a las normas de Estados Unidos y Canadá.
	Este símbolo designa que esta herramienta está incluida en la lista de Intertek Testing Services, conforme a las normas de Estados Unidos y Canadá.

LISTA DE PIEZAS

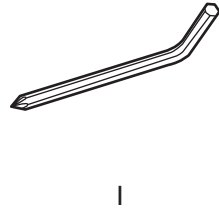
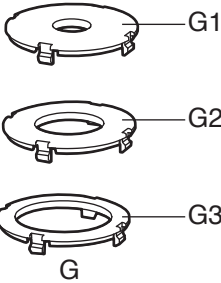
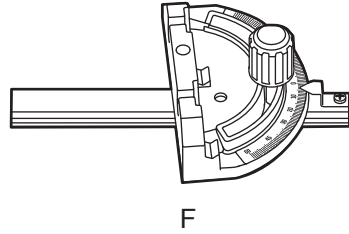
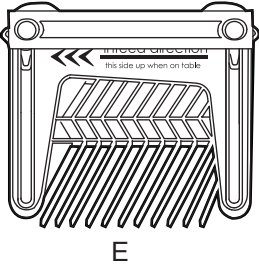
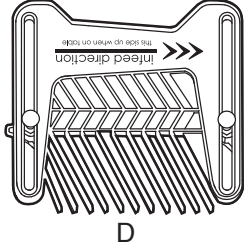
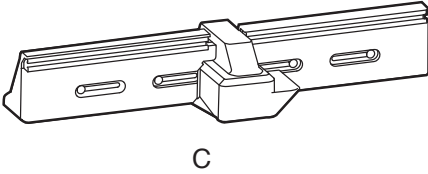
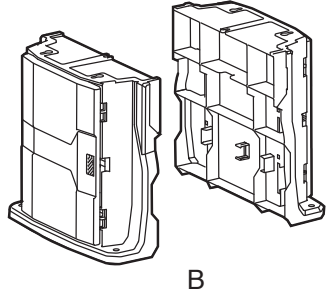
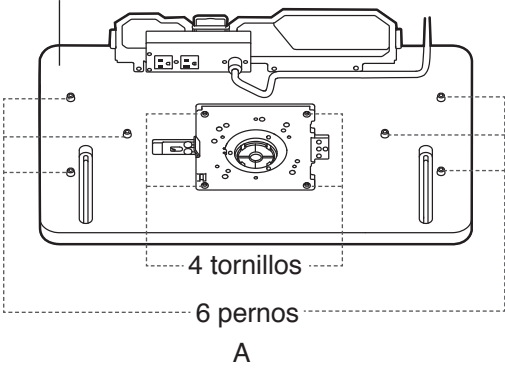
Consulte la lista de piezas que aparece a continuación.

⚠ ADVERTENCIA Si **CUALQUIERA** de las piezas falta, **NO** intente ensamblar, instalar o utilizar su mesa de fresadora hasta que las piezas que faltan hayan sido encontradas o reemplazadas y su mesa de fresadora haya sido ensamblada de manera adecuada y correcta de acuerdo con este manual.

- **Para obtener piezas que faltan o asistencia técnica, llame al 1-877-SKIL-999.**
- Para simplificar el manejo y minimizar cualquier daño que pueda ocurrir durante el envío, su mesa de fresadora viene ensamblada en su mayor parte. Será necesario reposicionar algunas piezas.
- Separe todas las piezas de los materiales de empaquetamiento y compruebe cada pieza contra las ilustraciones y la lista de piezas para asegurarse de que se hayan incluido todas las piezas. Haga esto antes de desechar cualquier material de empaquetamiento.

Artículo	Descripción	Cantidad
A	Ensamblaje de la mesa de fresadora (incluyendo 6 pernos preensamblados y 4 tornillos preensamblados)	1
B	Patatas izquierda y derecha de la mesa	1
C	Ensamblaje del tope-guía	1
D	Ensamblaje de tabla con canto biselado para el tope-guía	1
E	Ensamblaje de tabla con canto biselado con una barra deslizante para la superficie del tablero de la mesa	1
F	Ensamblaje del calibre de ingletes	1
G	Conjunto de anillos de inserción (3 anillos por conjunto)	
G-1	Anillo de inserción con agujero de 11/16 de pulgada (17,5 mm) de Ø	1
G-2	Anillo de inserción con agujero de 1-1/4 pulgadas (32 mm) de Ø	1
G-3	Anillo de inserción con agujero de 1-3/4 pulgadas (44,5 mm) de Ø	1
H	Pasador de inicio	1
I	Llave de combinación de 5 mm (hexagonal/Phillips)	1

Ensamblaje de la mesa de fresadora



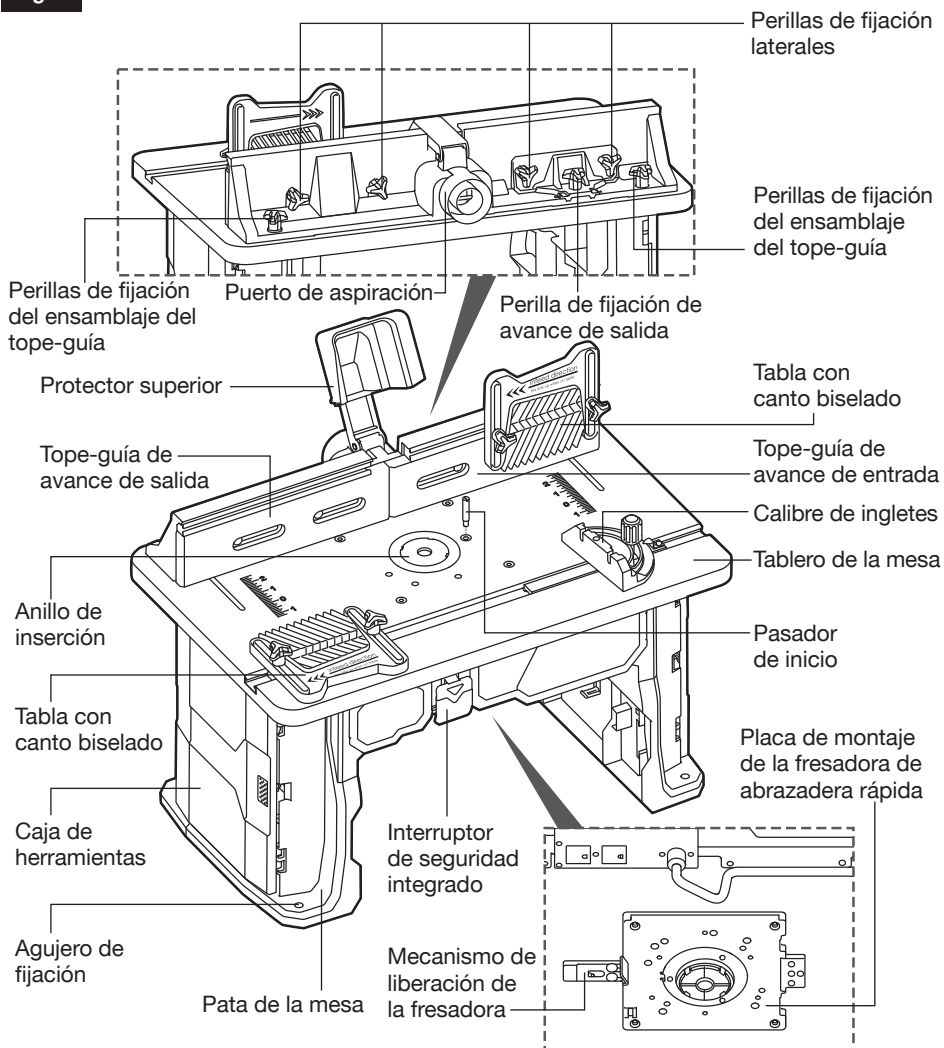
Herramientas necesarias (no suministradas)



Llave hexagonal de 4 mm

FAMILIARIZACIÓN CON SU MESA DE FRESADORA

Fig. 1



ESPECIFICACIONES

Núm. de modelo	SRT1039
Capacidad nominal	120 V~, 60 Hz, 15 A
Tamaño de la mesa	26x16x14 pulgadas (66x40,6x35,6 cm)
Ranura de inglete	3/4 de pulgada (19 mm)
Longitud del topo-guía	24 pulgadas (60,96 cm)
Diámetro máximo del cortador	1-5/8 pulgadas (41,3 mm)

MONTAJE DE LA MESA DE FRESADORA



ADVERTENCIA

Desenchufe siempre la mesa de fresadora antes de instalar accesorios o hacer cualquier ajuste.

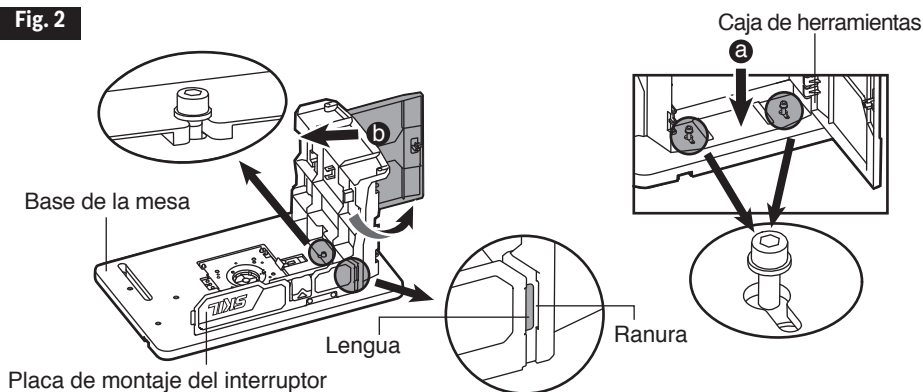
Instalación de las patas en la mesa (Fig. 2)

NOTA: El ensamblaje de la mesa de fresadora tiene seis pernos hexagonales de cabeza hueca preinstalados en la base de la mesa para instalar las dos patas de la mesa.

1. Coloque el ensamblaje de la mesa de fresadora en posición invertida sobre una superficie nivelada y plana.
2. Afloje los tres pernos ubicados en el lado derecho de la base de la mesa.
3. Abra la puerta de la caja de herramientas y baje una de las patas sobre la base de la mesa de la manera que se muestra en la ilustración. Asegúrese de que los dos pernos se inserten a través de los dos agujeros de la caja de herramientas.
4. Empuje la pata hacia el centro de la mesa, hasta que el tercer perno esté insertado en la ranura ubicada en el centro del lado interior de la pata. Al mismo tiempo, asegúrese de que la lengua de la placa de montaje del interruptor encaje en la ranura de la pata.
5. Apriete los tres pernos de fijación con las llave de combinación de 5 mm incluida.
6. Repita el proceso anterior con la otra pata de la mesa.

NOTA: El sentido de apertura de ambas cajas de herramientas deberá ser hacia el lado del interruptor de seguridad integrado.

Fig. 2

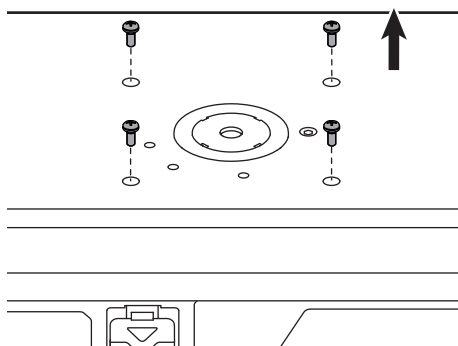


Retirada de la placa de montaje de la fresadora de abrazadera rápida de la base de la mesa (Fig. 3a y 3b)

Esta mesa de fresadora incluye un sistema de montaje de fresadora de abrazadera rápida, el cual ha sido preinstalado en la fábrica antes del envío.

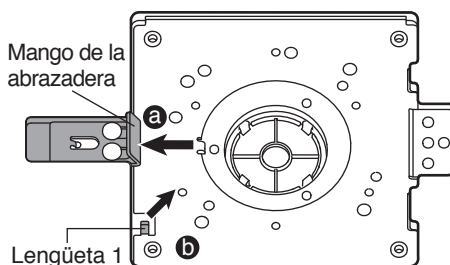
1. Utilizando la llave de combinación de 5 mm incluida, afloje y retire los cuatro ensamblajes de tornillo Phillips que fijan la placa de montaje a la mesa (Fig. 3a). Guarde los pernos para uso futuro.

Fig. 3a



- Coloque el ensamblaje de la mesa de fresadora en posición invertida sobre una superficie nivelada y plana (Fig. 3b).
- Empuje el mango de la abrazadera hacia la izquierda para abrir el mecanismo de liberación de la fresadora (a).
- Levante la Lengüeta 1 ubicada en la placa de montaje para retirarla de la base de la mesa (b).

Fig. 3b



Instalación de la placa de montaje de abrazadera rápida en las fresadoras SKIL RT1322-00 (solo base fija) y RT1323-00

⚠ ADVERTENCIA Desconecte la fresadora de la fuente de alimentación antes de instalar la fresadora en la mesa, hacer ajustes, cambiar accesorios, retirar la fresadora de la mesa, realizar mantenimiento o almacenar la herramienta. Dichas medidas preventivas de seguridad reducen el riesgo de un funcionamiento accidental de la herramienta.

- Coloque la fresadora en posición invertida de manera que descance sobre su tapa superior (Fig. 4a)
- Retire la subbase de plástico de la fresadora retirando los tres tornillos con la llave de combinación de 5 mm incluida. Conserve los tres tornillos para utilizarlos en el paso 4 futuro.

NOTA: Si desea montar la fresadora con la subbase, es posible que necesite comprar sujetadores más largos. La utilización de la subbase reduce el alcance de la profundidad de corte.

- Si desea utilizar una aspiradora durante su trabajo, este es un momento conveniente para instalar el adaptador de aspiración en la fresadora. Consulte el manual de su fresadora para obtener información sobre el ensamblaje del adaptador de aspiración.
- Alinee los tres agujeros de la placa de montaje con los agujeros de la base de la fresadora y asegúrese también de alinear la varilla de ajuste de profundidad ubicada en la fresadora con el agujero de ajuste de profundidad ubicado en la placa de montaje.

Fig. 4a

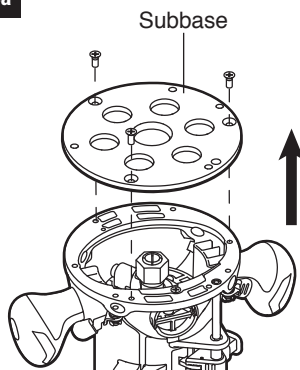
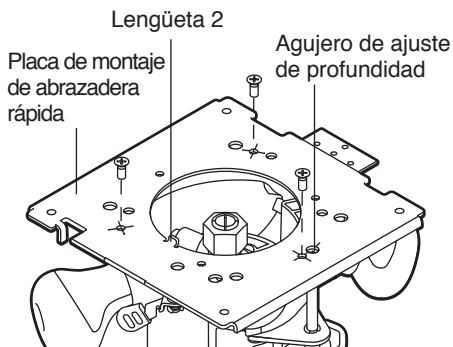


Fig. 4b

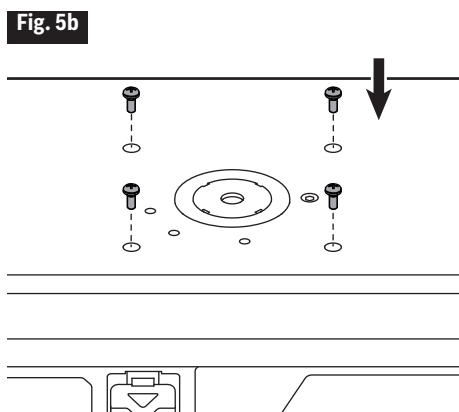
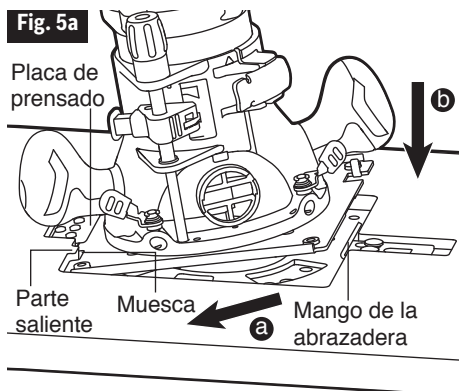


5. Monte firmemente la placa de montaje de abrazadera rápida en la fresadora utilizando los tres tornillos del Paso 2 (Fig. 4b).
 6. Asegúrese siempre de que los tornillos estén completamente asentados en la placa de montaje y que la base de la fresadora esté ubicada firmemente contra la placa de montaje para garantizar un montaje seguro.
- NOTE:** La placa de montaje se debe montar con la Lengüeta 2 orientada hacia arriba.

Instalación de la placa de montaje de abrazadera rápida y la fresadora en la mesa de fresadora

⚠ ADVERTENCIA Antes de utilizar la mesa de fresadora, verifique que la fresadora esté firmemente sujeta con abrazaderas en la base de la mesa de fresadora. Mientras trabaja, compruebe periódicamente la firmeza de los sujetadores de la base de la fresadora. La vibración del motor de la fresadora puede aflojar los sujetadores durante el uso, haciendo que la fresadora se caiga de la mesa.

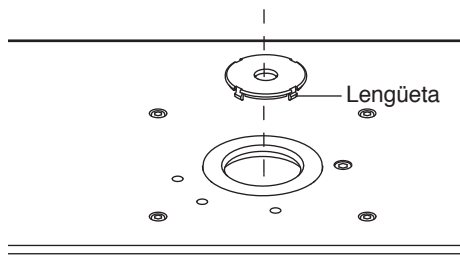
1. Coloque el ensamblaje de la mesa de fresadora en posición invertida sobre una superficie nivelada y plana.
2. Alinee las muescas ubicadas en la placa de montaje con las partes salientes ubicadas en la base de la mesa y luego inserte el borde de la placa de montaje (con dos muescas) debajo de la placa de prensado ubicada en la base de la mesa (Fig. 5a).
3. Baje lentamente la placa de montaje hasta que su borde derecho esté contra el mango de la abrazadera del mecanismo de liberación de la fresadora y se asiente en posición plana sobre la base de la mesa. El mango de la abrazadera se acoplará a presión en la posición correcta para bloquear automáticamente la placa de montaje.
4. Voltee la mesa de fresadora hasta su posición derecha, con las patas apoyadas verticalmente sobre una superficie nivelada y plana.
5. Alinee los cuatro agujeros ubicados en el tablero de la mesa con los agujeros ubicados en la placa de montaje.
6. Inserte los cuatro ensamblajes de tornillo Phillips a través de los cuatro agujeros ubicados en la superficie del tablero de mesa de la fresadora y los agujeros ubicados en la placa de montaje. Apriete firmemente los tornillos con la llave de combinación de 5 mm (Fig. 5b).



Instalación del anillo de inserción **Fig. 6**

(Fig. 6)

Esta mesa de fresadora incluye tres anillos de inserción para el tablero de la mesa con los siguientes diámetros de abertura distintos: (G-1) 11/16 de pulgada (17,5 mm) de diámetro de abertura, (G-2) 1-1/4 pulgadas (32 mm) de diámetro de abertura y (G-3) 1-7/8 pulgadas (44,5 mm) de diámetro de abertura.



ADVERTENCIA Los anillos de inserción tienen como fin reducir la holgura entre el diámetro de corte de la broca y la mesa, para que las piezas de trabajo mantengan un soporte completo de la mesa mientras se está fresando. El anillo de inserción de tamaño adecuado depende del tamaño y la forma del cortador. Cuando esté insertado, el anillo de inserción debería estar a 1/4 de pulgada (6.3 mm) o menos del borde más exterior del cortador.

ADVERTENCIA No altere el anillo de inserción ni el agujero para la broca de la placa de inserción. Empareje el diámetro de corte de la broca con el diámetro interno del anillo de inserción o el agujero para la broca de la placa de inserción, de manera que la diferencia sea de no menos de 1/16 de pulgada (1,6 mm) en un lado.

ADVERTENCIA No utilice la mesa de fresadora con brocas de más de 1-3/4 pulgadas (44,5 mm) de diámetro. Las brocas de tamaño mayor de 1-3/4 pulgadas pueden entrar en contacto con la placa de inserción o el anillo de inserción, y con ello arrojar fragmentos. El anillo de inserción debería encajar completamente en el agujero del tablero de la mesa. Utilice una lima fina o una lima de esmeril para eliminar el exceso de plástico o los bordes ásperos que puedan hacer que el anillo de inserción sobresalga por encima de la superficie de la mesa.

1. Seleccione el anillo de inserción que acomode mejor la broca de fresadora que se vaya a utilizar.
2. Posicione el anillo de inserción sobre la abertura de inserción ubicada en la mesa de fresadora.
3. Presione uniformemente hacia abajo sobre las lengüetas hasta que el anillo de inserción quede fijo en la posición correcta.
4. Para retirar el anillo de inserción, jale suavemente hacia arriba hasta que las lengüetas se desacoplen. Cuando no se estén utilizando, almacene los anillos de inserción en una de las cajas de herramientas u otro lugar conveniente.

ADVERTENCIA No utilice, no intente cambiar ni retire los anillos de inserción del tablero de la mesa, a menos que la fresadora esté apagada y desenchufada. Dichas medidas preventivas de seguridad reducen el riesgo de un funcionamiento accidental de la herramienta.

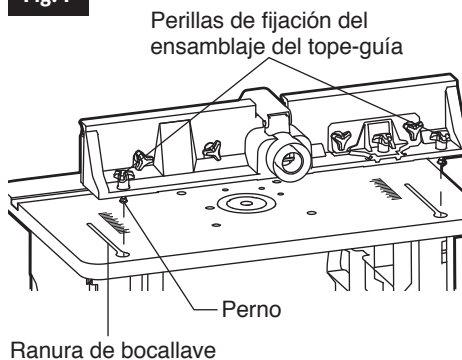
Instalación del ensamblaje del tope-guía en el tablero de la mesa (Fig. 7)

El tope-guía viene preensamblado. Afloje las dos perillas de fijación del ensamblaje del tope-guía, pero no las retire de los dos pernos antes de instalar el ensamblaje del tope-guía en el tablero de la mesa.

1. Instale el tope-guía en el tablero de la mesa insertando los dos pernos de cuello cuadrado y cabeza redonda, ubicados en el tope-guía, en los agujeros de las ranuras de bocallave ubicadas en el tablero de la mesa, asegurándose de que las cabezas de los pernos estén por debajo de la superficie interior del tablero de la mesa y que puedan deslizarse libremente dentro de la ranura de bocallave.
2. Apriete las perillas de fijación del ensamblaje del tope-guía para fijar dicho ensamblaje en la posición deseada.

NOTA: Utilice la escala ubicada en el tablero de la mesa como guía cuando alinee el tope-guía para operaciones de fresado. Una vez que el tope-guía esté posicionado y alineado correctamente, apriete FIRMEMENTE las perillas de fijación del ensamblaje del tope-guía.

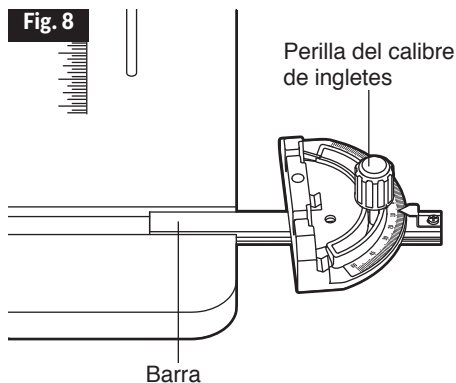
Fig. 7



Instalación del calibre de ingletes (Fig. 8)

1. Instale el calibre de ingletes en la mesa deslizando la barra del calibre de ingletes hacia el interior de la ranura ubicada en la mesa.
2. Para ajustar el ángulo de inglete, afloje la perilla del calibre de ingletes, rote el calibre de ingletes hasta el ángulo deseado y apriete de nuevo la perilla.

Fig. 8



Instalación de las tablas con canto biselado

NOTA: El lado delantero y el lado trasero de cada tabla con canto biselado están marcados para indicar el sentido de avance correcto.

Las tablas con canto biselado vienen preensambladas. Afloje, pero no retire, las perillas de fijación grandes de cada perno.

Instale la tabla con canto biselado (sin la barra deslizante) en el tope-guía

1. Instale la tabla con canto biselado en el tope-guía insertando los dos pernos de cuello cuadrado y cabeza redonda en la ranura del tope-guía, asegurándose de que la cabezas de los pernos se acoplen a presión en la ranura y se puedan deslizar libremente (Fig. 9a).
2. Apriete las perillas de fijación grandes para fijar la tabla con canto biselado al tope-guía (Fig. 9b).

Fig. 9a

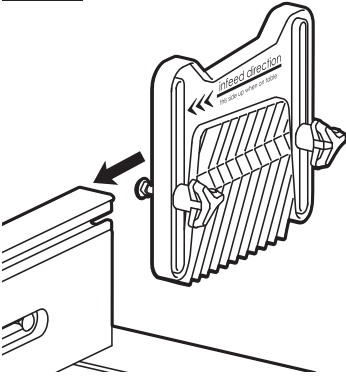
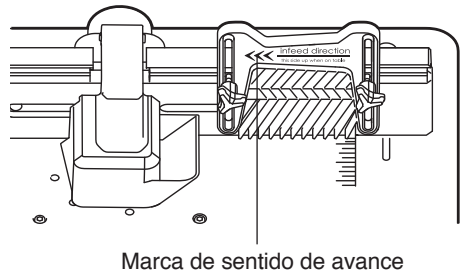


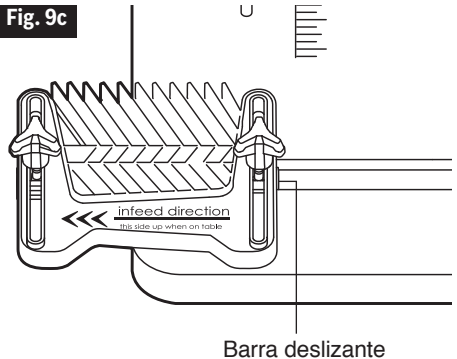
Fig. 9b



Instale la tabla con canto biselado (con una barra deslizante) en la superficie del tablero de la mesa (Fig. 9c)

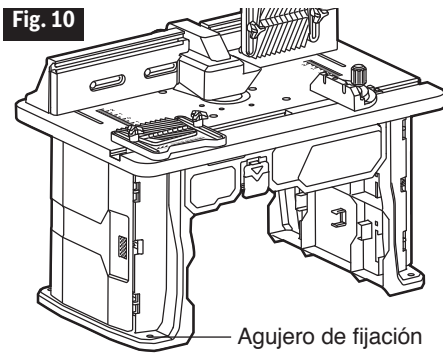
1. Instale la tabla con canto biselado en la superficie del tablero de la mesa insertando la barra deslizante, acoplada a la tabla con canto biselado, en la ranura ubicada en la mesa, asegurándose de que la barra deslizante se pueda deslizar libremente dentro de la ranura.
2. Apriete las perillas de fijación grandes para fijar la tabla con canto biselado al tablero de la mesa.

Fig. 9c



Instalación permanente en un banco de trabajo (Fig. 10)

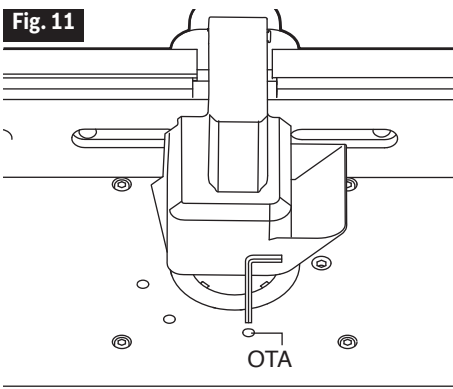
1. Coloque la mesa de fresadora sobre una superficie robusta, tal como un banco de trabajo.
2. Mientras sostiene la mesa de fresadora en la posición deseada, marque las cuatro ubicaciones de los agujeros de fijación en cada una de las patas sobre la superficie de trabajo.
3. Retire la mesa de fresadora.
4. Taladre un agujero de 3/8-15/32 de pulgada (9,5-12 mm) de \varnothing en el banco de trabajo en cada una de las cuatro ubicaciones marcadas.
5. Coloque la mesa de fresadora sobre el banco de trabajo y alinee los agujeros ubicados en las patas de la mesa con los agujeros ubicados en el banco de trabajo.
6. Fije la mesa de fresadora al banco de trabajo con cuatro pernos de 5/16 de pulgada (M8) x L y tuercas (que no se incluyen).
 - L=2-1/2 pulgadas (63 mm) para un grosor del banco de trabajo de 1 pulgada
 - L=3 pulgadas (76 mm) para un grosor del banco de trabajo 1-1/2 pulgadas
7. Apriete firmemente los pernos.



Para ajustar la profundidad de corte (Fig. 11)

La mesa de fresadora cuenta con un agujero de ajuste de profundidad para permitir el ajuste de profundidad sobre la mesa (OTA, por sus siglas en inglés) para las fresadoras SKIL RT1322-00 (solo base fija) y RT1323-00.

1. Afloje la abrazadera del motor ubicada en la fresadora. Consulte los manuales de su fresadora para obtener instrucciones detalladas.
2. Inserte una llave hexagonal de 4 mm (no incluida) a través del agujero de ajuste de profundidad y en la varilla de ajuste de profundidad de la fresadora, y luego gire la llave hexagonal para mover el portaherramienta de la fresadora hacia abajo o hacia arriba.
3. Cuando se haya establecido la profundidad de corte deseada, apriete la abrazadera del motor.



NOTA: Consulte los manuales de su fresadora para obtener instrucciones detalladas sobre el funcionamiento de la abrazadera del motor.

UTILIZACIÓN DE LA MESA DE FRESADORA

Utilización de la caja del interruptor

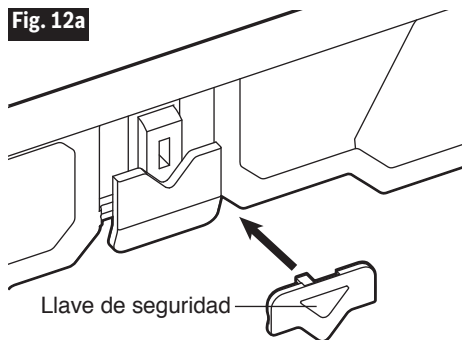
Hay dos tomacorrientes ubicados en la parte trasera del interruptor de seguridad integrado. Utilice uno para enchufar la fresadora. El otro se puede utilizar para enchufar una aspiradora o una luz (no incluidas).

⚠ ADVERTENCIA Para garantizar la seguridad y la confiabilidad, cuando se utilice un tomacorriente para la fresadora, la capacidad del otro tomacorriente estará limitada a 3 A. La corriente total consumida por los dos dispositivos no debe exceder 15 A.

⚠ ADVERTENCIA Cuando no se esté utilizando la fresadora, no suministre corriente a otras herramientas (tales como una aspiradora o una luz) por medio de la caja del interruptor de la mesa de fresadora.

1. Inserte la llave de seguridad en el interruptor de seguridad integrado (Fig. 12a).
2. Para poner el interruptor en la posición de ENCENDIDO, jale hacia arriba el interruptor de seguridad integrado (Fig. 12b).
3. Para poner el interruptor en la posición de APAGADO, empuje hacia abajo el interruptor de seguridad integrado (Fig. 12c).

Fig. 12a



⚠ ADVERTENCIA No deje nunca desatendida la fresadora mientras esté en funcionamiento o antes de que se detenga por completo.

4. Para bloquear el interruptor de seguridad integrado en la posición de APAGADO, presione hacia abajo el interruptor de seguridad integrado para APAGAR la herramienta y luego retire la llave de seguridad del interruptor.

Fig. 12b

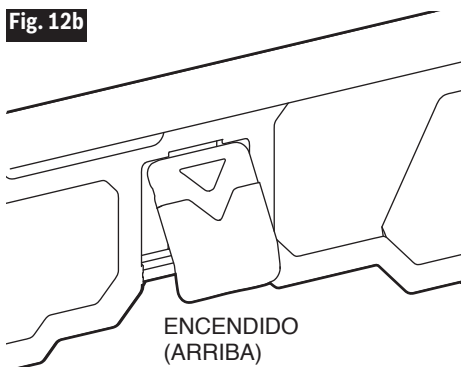
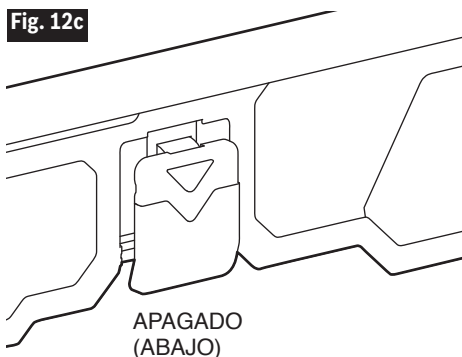


Fig. 12c

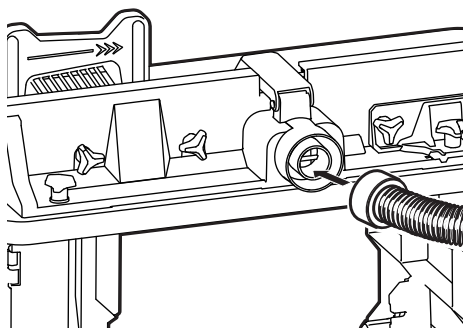


Utilización de una aspiradora (Fig. 13)

Los puertos de aspiración moldeados en el tope-guía aceptarán tanto una manguera como un adaptador de aspiración de 1-1/4 o 2-1/2 pulgadas. Seleccione la aspiradora según corresponda.

AVISO: La utilización de la mesa de fresadora sin una aspiradora puede causar una acumulación excesiva de aserrín y virutas de madera debajo del ensamblaje del tope-guía y del protector, así como en el gabinete, lo cual reducirá el rendimiento de la mesa de fresadora y el ensamblaje del tope-guía.

Fig. 13



Cajas de herramientas (Fig. 14a y 14b)

Su mesa de fresadora viene con dos cajas de herramientas con puertas embisagradas. Las cajas de herramientas están montadas permanentemente en los ensamblajes de pata izquierdo y derecho. Ambas cajas de herramientas tienen puertas embisagradas con lengüetas de enganche en la parte delantera. Tenga presente que las cajas de herramientas forman parte integral de los ensamblajes de pata y no se deberán retirar.

Cuando no se estén utilizando, las brocas de fresadora, los anillos de inserción, las tablas con canto biselado, la llave de tuerca y el pasador de fijación se pueden almacenar en ambas cajas de herramientas (Fig. 14a). El calibre de ingletes se puede almacenar en el lado interior de cualquiera de las dos patas (Fig. 14b).

Fig. 14a Tablas con canto biselado y áreas de almacenamiento

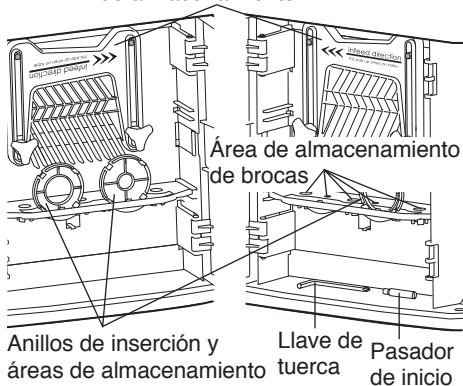
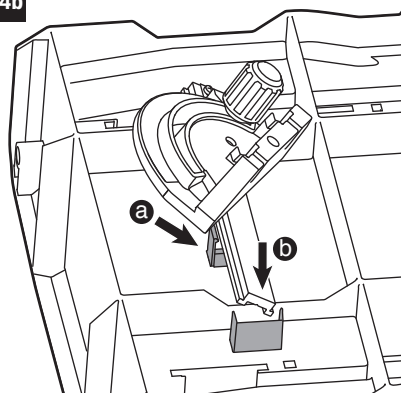


Fig. 14b



OPERACIONES GENERALES DE FRESADO UTILIZANDO LA MESA DE FRESADORA

⚠️ ADVERTENCIA

Tenga presente que, cuando se instale en posición invertida en una mesa de fresadora, el sentido de rotación de la broca cortadora será EN SENTIDO CONTRARIO AL DE LAS AGUJAS DEL RELOJ.

1. Enchufe siempre la fresadora en el tomacorriente controlado por interruptor de la mesa de fresadora. No enchufe nunca una fresadora montada en la mesa en otra fuente de alimentación.
2. Asegúrese de que el interruptor de la mesa de fresadora esté en la posición de apagado y desenchufe la mesa de fresadora.
3. Ajuste aproximadamente la profundidad de corte de la fresadora antes de instalarla en la mesa. Utilice la llave hexagonal de 4 mm (no incluida) para realizar un ajuste de profundidad preciso sobre la mesa después de instalar la fresadora en la mesa.
4. Ajuste el ensamblaje del tope-guía para soportar la pieza de trabajo que se vaya a cortar.
5. Ponga el interruptor de ENCENDIDO y APAGADO de la en la posición de ENCENDIDO.
6. Reconfirme que todos los ajustes de la fresadora estén firmemente bloqueados antes de suministrar energía a la fresadora.
7. Enchufe el cable de alimentación de la mesa de fresadora en una fuente de alimentación.
8. Encienda la alimentación eléctrica a la mesa de fresadora jalando hacia arriba el interruptor de ENCENDIDO y APAGADO de la mesa de fresadora.
9. Controle siempre la alimentación eléctrica a la fresadora con el interruptor de ENCENDIDO y APAGADO de la mesa de fresadora cuando la fresadora esté montada en la mesa.
10. Haga avanzar siempre la pieza de trabajo de DERECHA a IZQUIERDA (Fig. 15a).

AVISO: La pieza de trabajo se debe sostener siempre firmemente contra el tope-guía.

⚠️ ADVERTENCIA No haga avanzar nunca la pieza de trabajo en el mismo sentido que el de la rotación de la broca. El avance en este sentido puede hacer que la pieza de trabajo trepe sobre la broca y cause lesiones corporales graves (Fig. 15b).

⚠️ ADVERTENCIA Cuando haga un corte lateral o de un borde, no posicione nunca el tope-guía de manera que la pieza de trabajo esté ubicada entre el cortador y el tope-guía. Si no se hace caso de esta advertencia, el resultado puede ser lesiones corporales graves (Fig. 15c).

Fig. 15b

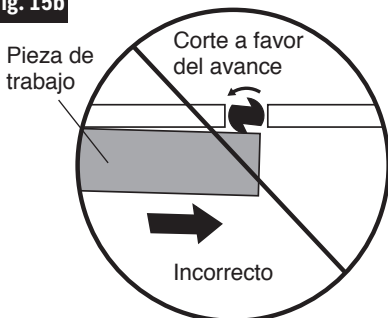


Fig. 15a

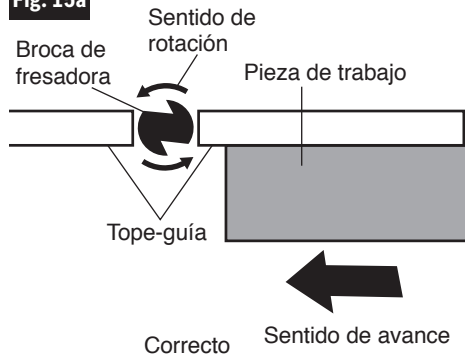
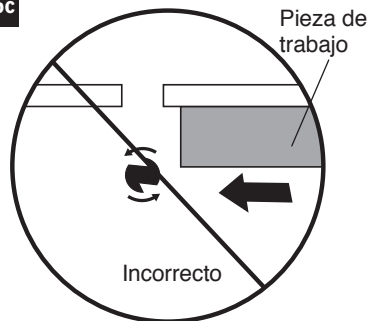


Fig. 15c



Utilización del tope-guía

El tope-guía soporta y guía la pieza de trabajo. Para proporcionar el mejor soporte durante las operaciones de fresado, las placas frontales del tope-guía deberán estar tan cerca de la broca como sea posible sin entrar en contacto con ella (típicamente, a una distancia de alrededor de 1/4 de pulgada [6.3 mm] de la broca).

Movimiento del tope-guía hacia delante y hacia atrás (Fig. 16)

1. Afloje las dos perillas de fijación del ensamblaje del tope-guía.
2. Mueva el ensamblaje del tope-guía hacia delante y hacia atrás a lo largo de las ranuras hasta la posición deseada.
3. Apriete las perillas de fijación del ensamblaje del tope-guía.

AVISO:

- Para realizar cortes profundos, haga pasadas sucesivas y no corte NUNCA más de 1/8 de pulgada (3 mm) de profundidad con una sola pasada.
- Para realizar cortes más anchos, haga múltiples pasadas de corte moviendo progresivamente el top-guía hacia detrás hasta que se alcance la anchura de corte deseada.

Deslizamiento lateral del tope-guía de avance de salida y de avance de entrada (Fig. 17)

Tanto el tope-guía de avance de entrada como el tope-guía de avance de salida se pueden deslizar lateralmente para extender el tope-guía.

1. Afloje las cuatro perillas de fijación laterales.
2. Deslice la placa frontal de cada tope-guía hasta la posición deseada.
3. Apriete las perillas de fijación laterales.

⚠ ADVERTENCIA Asegúrese siempre de que el tope-guía y el protector no puedan entrar en contacto con la broca de fresadora. Si no se hace así, el resultado será daños a la mesa de fresadora y eso puede causar lesiones corporales.

Fig. 16 Perillas de fijación del ensamblaje del tope-guía

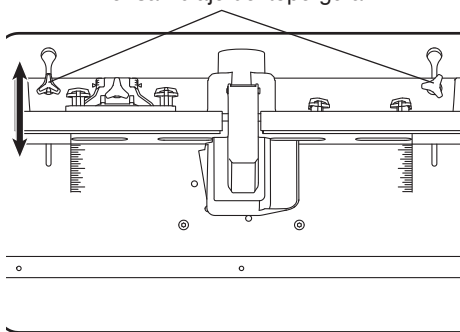
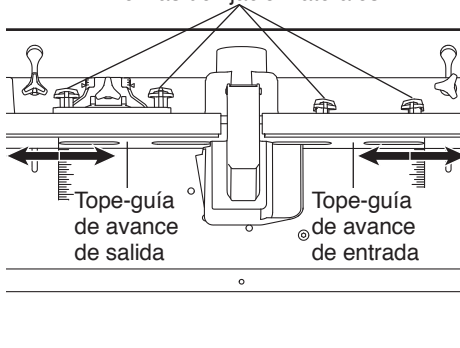


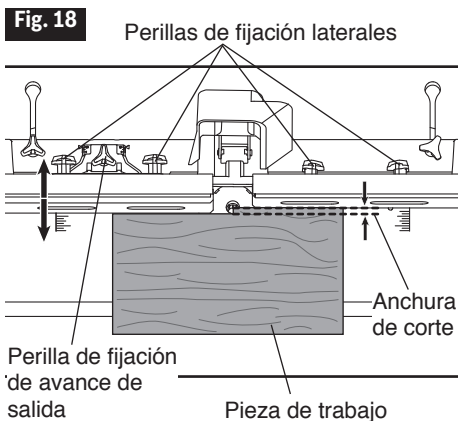
Fig. 17 Perillas de fijación laterales



Ajuste del tope-guía de avance de salida para realizar juntas (Fig. 18)

Para operaciones de realización de juntas, el tope-guía de avance de salida se puede mover hasta 1/4 de pulgada (6.3 mm) hacia delante del tope-guía de avance de entrada para soportar la pieza de trabajo después de que pase a través de la broca de fresadora.

1. Afloje la perilla de fijación de avance de salida (Fig. 18).
2. Mueva el tope-guía de avance de salida hacia delante del tope-guía de avance de entrada hasta una distancia igual a la anchura del material que se vaya a retirar de la pieza de trabajo.
3. Afloje las cuatro perillas de fijación laterales. Deslice ambas placas frontales del tope-guía hacia la broca para minimizar el espacio entre las placas frontales y la broca de fresadora. Apriete firmemente las perillas de fijación laterales.
4. Afloje las dos perillas de fijación del ensamblaje del tope-guía y luego mueva todo el ensamblaje del tope-guía de manera que la placa frontal de la cara del tope-guía de avance de salida esté alineada con la parte delantera de la broca de fresadora. Si es necesario, utilice un pedazo de madera con borde recto. Apriete las dos perillas de fijación del ensamblaje del tope-guía.

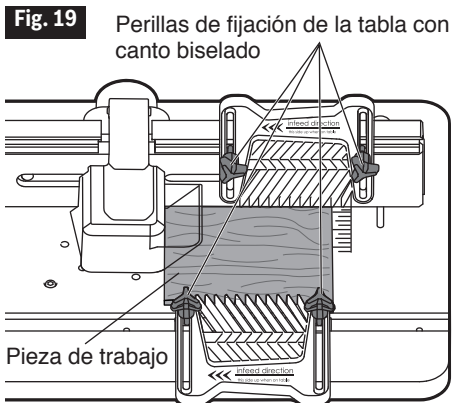


Utilización de tablas con canto biselado (Fig. 19)

Las tablas con canto biselado son útiles para controlar la pieza de trabajo mientras se está fresando y ayudan a mantener la pieza de trabajo en posición plana sobre el tablero de la mesa y ajustada contra el tope-guía. La tabla con canto biselado del tablero de la mesa, combinada con la tabla con canto biselado del tope-guía, ayuda a mantener la pieza de trabajo presionada contra el tope-guía y el tablero de la mesa. La mejor ubicación para las tablas con canto biselado varía de acuerdo con la aplicación que se vaya a realizar, el tamaño de la pieza de trabajo y otros factores.

1. Instale de manera floja la tabla con canto biselado acoplada al tope-guía tal y como se describe en **INSTALACIÓN DE LAS TABLAS CON CANTO BISELADO**.
2. Coloque la pieza de trabajo en la mesa de fresadora de manera que esté escuadrada contra el tope-guía.
3. Posicione las tablas con canto biselado ajustadamente contra la pieza de trabajo y apriete las perillas de fijación de la tabla con canto biselado.
4. La pieza de trabajo se debería mover con algo de resistencia, pero sin requerir un gran esfuerzo.

NOTA: La tabla con canto biselado del tablero de la mesa no se puede utilizar para piezas de trabajo más anchas.



Utilización del pasador de inicio (Fig. 20)

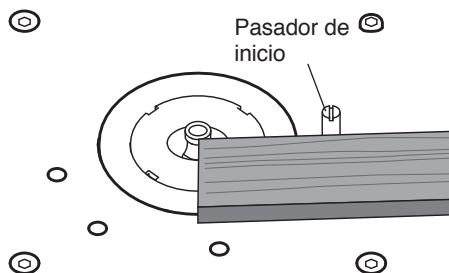
Fig. 20

El pasador de inicio se utiliza para operaciones que conlleven fresar curvas en la pieza de trabajo.

⚠ ADVERTENCIA Al igual que con todas las operaciones de fresado, utilice siempre el protector cuando frese con el pasador de inicio. Mantenga los dedos alejados de la broca. Pueden ocurrir lesiones graves si usted entra en contacto con la broca. No intente fresar piezas de trabajo pequeñas.

AVISO:

- Cuando cantee curvas o formas complejas, debe utilizar brocas que tengan cojinetes piloto.
 - Cuando utilice el pasador de inicio, el sentido de avance de la pieza de trabajo es siempre de derecha a izquierda a través de la parte delantera del pasador.
1. Ponga el interruptor de seguridad integrado en la posición de apagado y desenchufe la mesa.
 2. Enrosque el pasador de inicio en la placa de montaje.
 3. Ajuste la profundidad de corte.
 4. Enchufe la mesa y ponga el interruptor de seguridad integrado en la posición de encendido.
 5. Coloque la pieza de trabajo contra la parte delantera del pasador de inicio y haga avanzar la pieza de trabajo lentamente hacia la broca.
 6. Mientras fresa con una broca con cojinete piloto, asegúrese de que la pieza de trabajo esté siempre en contacto con el cojinete de la broca piloto.



Utilización del calibre de ingletes (Fig. 21a y 21b)

NOTA: Para TODAS las operaciones de fresado que requieran el uso del calibre de ingletes con el tope-guía, ASEGÚRESE de alinear el tope-guía utilizando las escalas ubicadas en la parte superior de la mesa de fresadora antes de hacer cualquier corte (Fig. 21a).

Los ingletes se pueden cortar aflojando la perilla del calibre de ingletes, girando el calibre de ingletes hasta 60° en cualquiera de los dos sentidos y reapretando la perilla del calibre de ingletes (Fig. 21b).

Haga una pasada de prueba con una pieza de trabajo antes de hacer un corte, para asegurarse de que el tope-guía esté alineado correctamente. Realice ajustes según sea necesario y fije firmemente el tope-guía antes de hacer el corte.

Fig. 21a

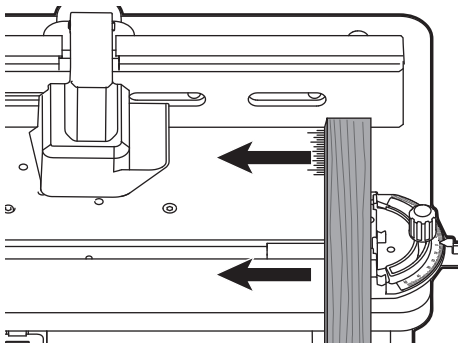
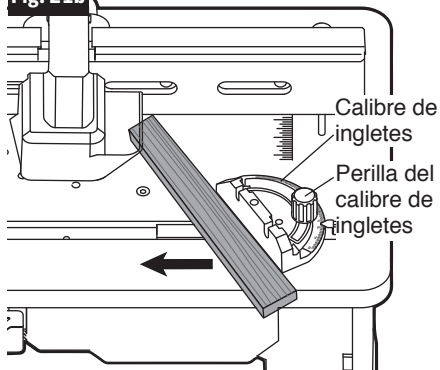


Fig. 21b



MANTENIMIENTO

Servicio de ajustes y reparaciones

⚠ ADVERTENCIA Cuando haga servicio de ajustes y reparaciones, utilice únicamente piezas de repuesto SKIL idénticas. Es posible que el uso de cualquier otra pieza cree un peligro o cause daños al producto.

Limpieza

Evite utilizar solventes cuando limpie piezas de plástico. La mayoría de los plásticos son susceptibles de sufrir daños causados por diversos tipos de solventes comerciales y es posible que resulten dañados por el uso de estos. Use paños limpios para eliminar la suciedad, el polvo, el aceite, la grasa, etc.

⚠ ADVERTENCIA No deje en ningún momento que líquidos de freno, gasolina, productos a base de petróleo, aceites penetrantes, etc., entren en contacto con las piezas de plástico. Las sustancias químicas pueden dañar, debilitar o destruir el plástico, lo cual es posible que cause lesiones corporales graves.

⚠ ADVERTENCIA Use siempre anteojos de seguridad o gafas de seguridad con escudos laterales durante la utilización de herramientas eléctricas o cuando sople polvo. Si la operación genera grandes cantidades de polvo, use también una máscara antipolvo.

GARANTÍA LIMITADA PARA LAS HERRAMIENTAS ELÉCTRICAS ALÁMBRICAS DE CONSUMO SKIL

GARANTÍA LIMITADA DE 1 AÑO, TEXTO LEGAL

Chervon North America, Inc., (el "Vendedor") garantiza, únicamente al comprador original, que todas las HERRAMIENTAS ELÉCTRICAS ALÁMBRICAS de consumo SKIL estarán libres de defectos de material o de fabricación durante un período de un año a partir de la fecha de compra, si el comprador original registra el producto dentro del plazo de 30 días después de realizar su compra. El registro del producto se puede completar en línea en www.Registtermyskil.com. Los compradores deberán también retener su recibo como comprobante de compra. Una garantía limitada tendrá aplicación durante un año para las herramientas. Se insta a los compradores originales a que registren su producto dentro del plazo de 30 días después de realizar su compra para confirmar su garantía limitada.

Una garantía limitada tendrá aplicación durante un año para las herramientas alámbricas. Se insta a los compradores originales a que registren su producto dentro del plazo de 30 días después de realizar su compra para confirmar su garantía limitada.

Con independencia de lo anterior, si una herramienta de consumo SKIL se utiliza para fines industriales, profesionales o comerciales, la garantía que antecede tendrá aplicación con una duración de noventa días, independientemente de que se haya registrado.

LA ÚNICA OBLIGACIÓN DEL VENDEDOR Y EL RECURSO EXCLUSIVO QUE USTED TIENE bajo esta Garantía Limitada y, hasta donde la ley lo permita, bajo cualquier garantía o condición implícita por ley, consistirá en la reparación o el reemplazo, sin cargo alguno, de las piezas que presenten defectos de material o de fabricación y que no hayan sido utilizadas incorrectamente, manejadas descuidadamente o reparadas por personas que no sean el Vendedor o una Estación de Servicio Autorizada. Para presentar un reclamo bajo esta Garantía Limitada, usted debe devolver el producto completo, con el transporte prepago, a cualquier Centro de Servicio de fábrica SKIL o Estación de Servicio SKIL Autorizada. Para localizar las Estaciones de Servicio Autorizadas de Herramientas Eléctricas SKIL, sírvase visitar www.Registtermyskil.com o llamar al 1-877-SKIL-999 (1-877-754-5999).

ESTA GARANTÍA LIMITADA NO SE APLICA A LAS PIEZAS Y LOS CONSUMIBLES DE MANTENIMIENTO DE RUTINA QUE SE PUEDEN DESGASTAR COMO RESULTADO DEL USO NORMAL DENTRO DEL PERÍODO DE GARANTÍA, LO CUAL INCLUYE HOJAS DE CORTE, BROCAS TALADRADORAS, BROCAS DE FRESADORA, CORREAS DE LIJAR, DISCOS DE AMOLAR Y OTROS ARTÍCULOS RELACIONADOS.

TODAS LAS GARANTÍAS IMPLÍCITAS APLICABLES A UN PRODUCTO ESTARÁN LIMITADAS EN DURACIÓN A LA MISMA DURACIÓN QUE TENGAN LAS GARANTÍAS EXPRESAS APLICABLES A DICHO PRODUCTO, TAL Y COMO SE ESTABLECE EN EL PRIMER PÁRRAFO QUE ANTECEDE. ALGUNOS ESTADOS DE LOS EE.UU. Y ALGUNAS PROVINCIAS CANADIENSES NO PERMITEN LIMITACIONES EN CUANTO A LA DURACIÓN DE UNA GARANTÍA IMPLÍCITA, POR LO QUE ES POSIBLE QUE LA LIMITACIÓN ANTERIOR NO TENGA APLICACIÓN EN EL CASO DE USTED.

ESTA GARANTÍA LIMITADA NO CUBRE LOS DAÑOS QUE RESULTEN DE MODIFICACIONES, ALTERACIONES O REPARACIONES NO AUTORIZADAS.

EL VENDEDOR NO SERÁ RESPONSABLE EN NINGÚN CASO POR DAÑOS INCIDENTALES O EMERGENTES (INCLUYENDO, PERO SIN LIMITARSE A, RESPONSABILIDAD POR PÉRDIDA DE GANANCIAS) QUE SURJAN DE LA VENTA O EL USO DE ESTE PRODUCTO. ALGUNOS ESTADOS DE LOS EE.UU. Y ALGUNAS PROVINCIAS CANADIENSES NO PERMITEN LA EXCLUSIÓN O LIMITACIÓN DE LOS DAÑOS INCIDENTALES O EMERGENTES, POR LO QUE ES POSIBLE QUE LA LIMITACIÓN O EXCLUSIÓN QUE ANTECEDE NO TENGA APLICACIÓN EN EL CASO DE USTED.

ESTA GARANTÍA LIMITADA LE CONFIERE A USTED DERECHOS LEGALES ESPECÍFICOS Y ES POSIBLE QUE USTED TENGA TAMBIÉN OTROS DERECHOS QUE VARÍAN DE UN ESTADO A OTRO EN LOS EE.UU., DE UNA PROVINCIA A OTRA EN CANADÁ Y DE UN PAÍS A OTRO.

ESTA GARANTÍA LIMITADA SE APLICA SOLAMENTE A LOS PRODUCTOS VENDIDOS EN LOS ESTADOS UNIDOS DE AMÉRICA, CANADÁ Y EL ESTADO LIBRE ASOCIADO DE PUERTO RICO. PARA OBTENER COBERTURA DE GARANTÍA EN OTROS PAÍSES, PÓNGASE EN CONTACTO CON SU DISTRIBUIDOR O IMPORTADOR LOCAL DE SKIL.

© Chervon North America, 1203 E. Warrenville Rd, Naperville, IL 60563.

