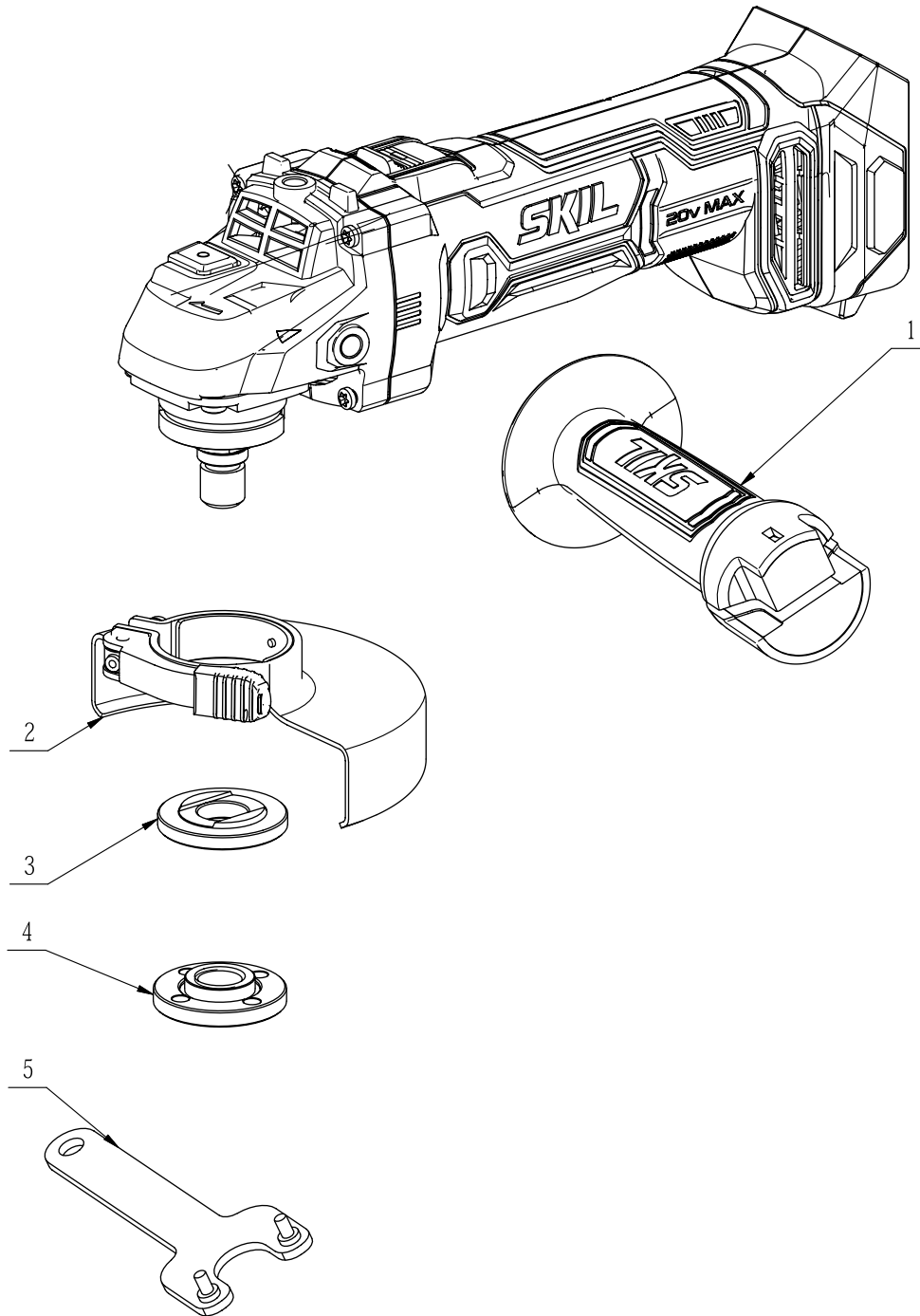




Product Description: Angle Grinder  
Model Number: AG290201  
Body Number: 0940001002  
Version: B  
Issue Date: 2018/11/30



No.	Product Model#	Part Number	Description	Qty
1	AG290201	2825920001	Auxiliary Handle ASSY	1
2	AG290201	2825812002	Guard ASSY	1
3	AG290201	3550328002	Inner Flange	1
4	AG290201	3550130003	Outer Flange	1
5	AG290201	3700567002	Wrench	1