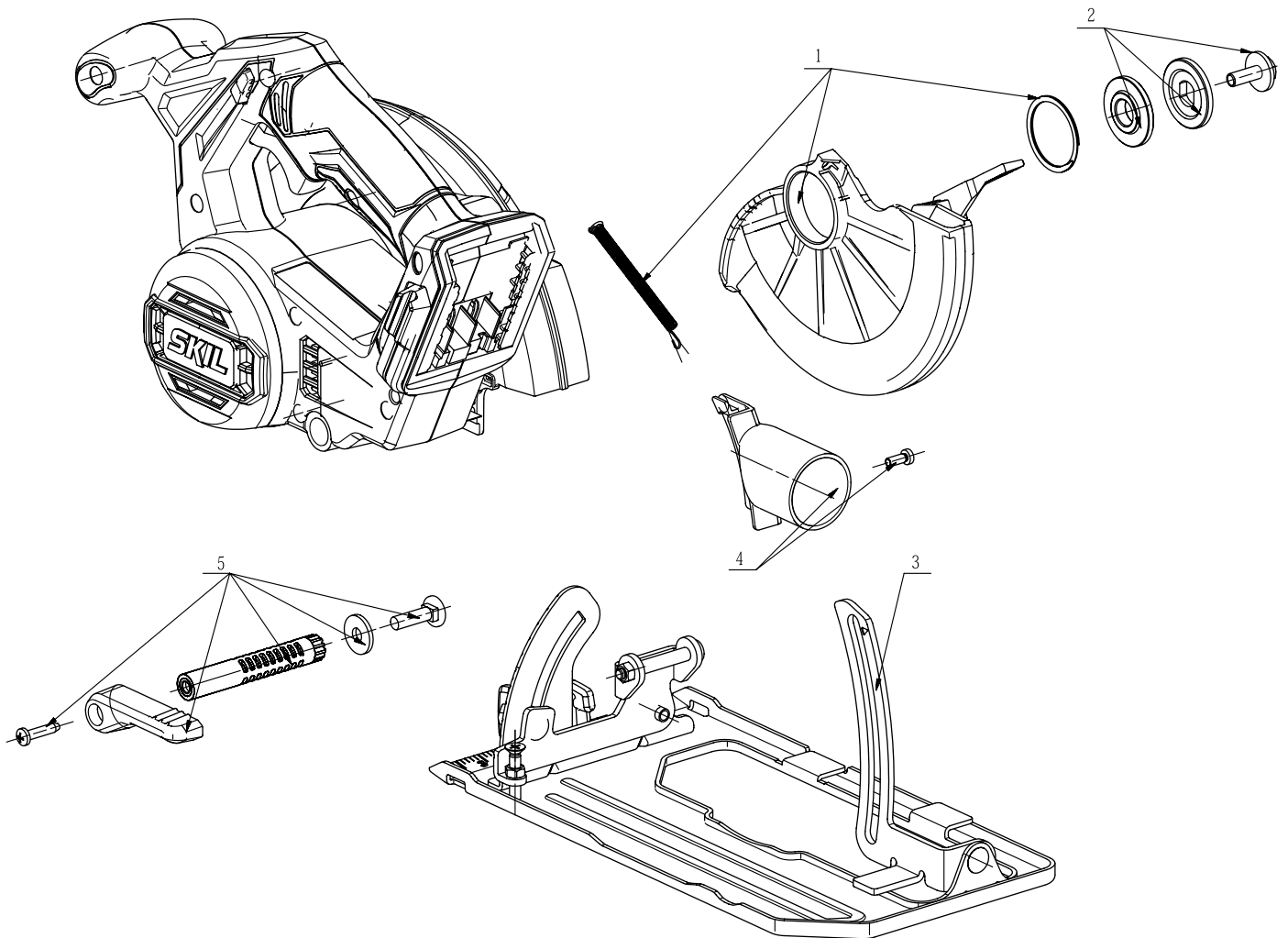




Product Description: Circular Saw
Model Number: CR541301
Body Number: 0740029001
Version: A
Issue Date: 2019/04/23



No.	Product Model#	Part Number	Description	Qty
1	CR541301	2826892001	Lower Guard ASSY	1
2	CR541301	2826893001	Flange Set	1
3	CR541301	2826891001	Base Plate Set	1
4	CR541301	2826890001	Vacuum Adapter Set	1
5	CR541301	2826889001	Depth Adjusting Set	1