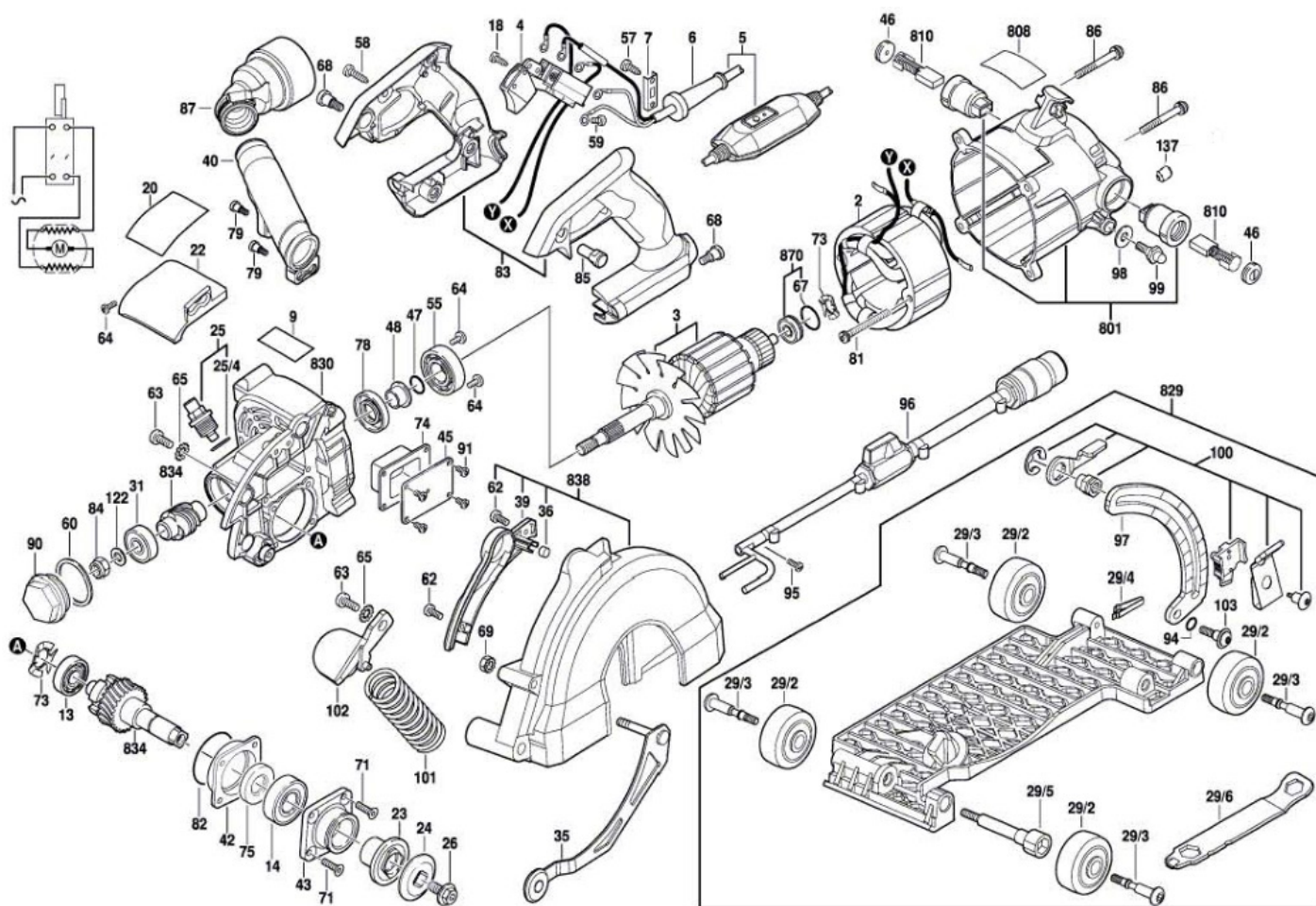




Product Description: Concrete Saw
Model Number: SPT79-00
Body Number: 0610222001
Version: A
Issue Date: 2020/4/15



No.	Product Model#	Part Number	Description	Qty
2	SPT79-00	2740457001	Field	1
3	SPT79-00	2751137001	Armature	1
4	SPT79-00	4870629001	Switch	1
5	SPT79-00	4970319003	Power supply cord	1
6	SPT79-00	3129140001	Grommet	1
7	SPT79-00	3706465001	Cable Clip	1
9	SPT79-00	2244067005	Manufacturer's nameplate	1
13	SPT79-00	5700008030	groove ball bearing	1
14	SPT79-00	5700058006	Ball Bearing	1
18	SPT79-00	5610328001	Screw	1
20	SPT79-00	2243684003	Warning Plate	1
22	SPT79-00	3129158001	Hood	1
23	SPT79-00	3521043001	Washer	1
24	SPT79-00	3552835001	Washer	1
25	SPT79-00	2825427001	Oil Drain Plug	1
25/4	SPT79-00	5690378001	O-Ring	1
26	SPT79-00	5640296001	Collar bolt	1
29/2	SPT79-00	2825545001	Wheel	4
29/3	SPT79-00	5640264001	Bolt	4
29/4	SPT79-00	3706420002	Spring	1
29/5	SPT79-00	3552834001	Pivot Pin	1
29/6	SPT79-00	5680244001	Socket wrench	1
31	SPT79-00	5700013012	Ball Bearing	1
35	SPT79-00	2825516001	Pointer	1
36	SPT79-00	3680241001	Magnet	1
39	SPT79-00	3422143901	Dust Cap	1
40	SPT79-00	3403031001	Handle ASSY	1
42	SPT79-00	3422074001	Bearing Plate	1
43	SPT79-00	3521015001	Guard Plate	1
45	SPT79-00	3706401001	Cover	1
46	SPT79-00	3129240001	Device cap	2
47	SPT79-00	5690368001	O-Ring	1
48	SPT79-00	3552844001	Collar	1
55	SPT79-00	5700058007	Ball Bearing	1
57	SPT79-00	5610323001	Screw	2
58	SPT79-00	5610324002	Screw	4
59	SPT79-00	5610334001	Screw	1
60	SPT79-00	5690372001	O-Ring	1
62	SPT79-00	5610325002	Screw	3
63	SPT79-00	5620590002	Screw	3
64	SPT79-00	5610325001	Contact Screw	3
65	SPT79-00	5650615002	Washer	3
67	SPT79-00	5690376001	O-Ring	1
68	SPT79-00	5620592002	Screw	3
69	SPT79-00	5630311001	Lock Nut	1
71	SPT79-00	5620593001	Screw	4
73	SPT79-00	5650616001	Spring Washer	1
74	SPT79-00	5690373001	Rubber Gasket	1
75	SPT79-00	5690374001	Seal	1
78	SPT79-00	5690375001	Seal	1
79	SPT79-00	5620600002	Screw	4
81	SPT79-00	5620610001	Screw	2
82	SPT79-00	5690379001	O-Ring	1

No.	Product Model#	Part Number	Description	Qty
83	SPT79-00	2825659001	Set Of Handles	1
84	SPT79-00	5630312001	Nut	1
85	SPT79-00	5630316001	Special Nut	1
86	SPT79-00	5620609002	Screw	4
87	SPT79-00	2825533001	Adapter	1
90	SPT79-00	3129173001	Bearing Cover	1
91	SPT79-00	5610326001	Screw	4
94	SPT79-00	5690381001	O-Ring 8, 0x2, 5 MM	1
95	SPT79-00	5620627001	Screw	1
96	SPT79-00	2825261001	Water Feed	1
97	SPT79-00	3706460001	Bracket	1
98	SPT79-00	5650635001	Plain Washer DIN 125-A 6, 4-ST	1
99	SPT79-00	5640265001	Bolt	1
100	SPT79-00	2825506001	Adjustment unit	1
101	SPT79-00	3660685001	Spring	1
102	SPT79-00	3422118001	Spring seat	1
103	SPT79-00	5620628001	Screw	1
122	SPT79-00	5650622001	Washer	1
137	SPT79-00	5620588001	Hexagon Socket Screw	2
801	SPT79-00	2826226001	Motor Housing	1
808	SPT79-00	2244366001	Nameplate	1
810	SPT79-00	4960370001	Carbon-Brush Set	1
829	SPT79-00	2826227001	Base Plate	1
830	SPT79-00	2826228001	Gear Housing	1
834	SPT79-00	2826230001	Set Of Gears	1
838	SPT79-00	2826229001	Upper guard	1
870	SPT79-00	2825668001	groove ball bearing	1