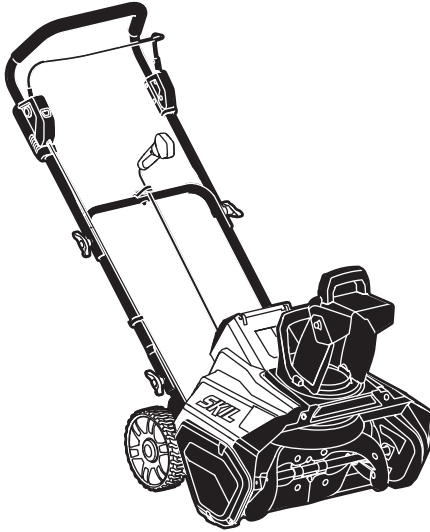




Owner's Manual
Guide d'utilisation
Manual del propietario



Model/ Modelo/ Modèle: SB2001C-00

Brushless 40V 20in Single Stage Snow Blower

Souffleuse à neige sans balais à un seul niveau de 40 V, 20 po

Soplador de nieve de etapa sencilla de 20 pulgadas de 40 V sin escobillas

▲ WARNING: To reduce the risk of injury, the user must read and understand the Owner's Manual before using this product. Save these instructions for future reference.

▲ AVERTISSEMENT : Afin de réduire les risques de blessure, l'utilisateur doit lire et comprendre le guide d'utilisation avant d'utiliser cet article. Conservez le présent guide afin de pouvoir le consulter ultérieurement.

▲ ADVERTENCIA : Para reducir el riesgo de lesiones, el usuario debe leer y comprender el Manual del operador antes de utilizar este producto. Guarde estas instrucciones para consultarlas en caso sea necesario.



For Customer Service
Pour le service à la clientèle
Servicio al cliente

1-877-SKIL-999 OR www.skil.com

TABLE OF CONTENTS

Important Safety Instructions	3-5
Symbols	6-9
Get to Know Your Snow Blower	10
Specifications	11
Assembly	11-16
Operating Instructions	17-21
Maintenance	22-24
Troubleshooting	25
Limited Warranty of SKIL Consumer Tools	26

IMPORTANT SAFETY INSTRUCTIONS



This snow blower is capable of amputating hands and feet and throwing objects. Failure to observe the following safety instructions could result in serious injury.



When using electric appliance, basic safety precautions should always be followed to reduce the risk of fire, electric shock, and personal injury. These basic precautions include the following:

READ ALL INSTRUCTIONS BEFORE USING THIS PRODUCT!

FOR ALL SNOW BLOWERS

- Do not use on graveled surface.
- Keep Children Away – All visitors should be kept a safe distance from work area.
- Dress Properly – Do not wear loose clothing or jewelry. They can be caught in moving parts.
- Wear rubber boots when operating the snow blower.
- Keep hands away from moving parts.
- Keep guards in place and in working order.
- Don't Force Snow Blower – It will perform better and safer at the rate for which it was designed.
- Don't Overreach – Keep proper footing and balance at all times.
- If the snow blower strikes a foreign object follow these steps:
 1. Stop snow blower. Release the switch.
 2. Remove the battery pack.
 3. Inspect the snow blower for damage.
 4. Repair any damage before restarting and operating the snow blower.
- Store idle snow blowers indoors - When not in use, snow blowers should be stored indoors in dry, locked-up place and out of reach of children.
- Maintain snow blowers with care – Follow all instructions for lubricating and changing accessories.

TRAINING

- Read, understand and follow all instructions on the machine and in the manual(s) before operating this unit. Be thoroughly familiar with the controls and the proper use of the equipment. Know how to stop the unit and disengage the controls quickly.
- Never allow children to operate the equipment. Never allow adults to operate the equipment without proper instruction.
- Keep the area of operation clear of all persons, particularly small children.
- Exercise caution to avoid slipping or falling, especially when operating the snow blower in reverse.

PREPARATION

- Thoroughly inspect the area where the equipment is to be used and remove all doormats, sleds, boards, wires, and other foreign objects.
- Do not operate the equipment without wearing adequate winter garments. Avoid loose-fitting clothing that can get caught in moving parts. Wear footwear that will improve footing on slippery surfaces.
- Never attempt to make any adjustments while the motor is running (except when specifically recommended by manufacturer).
- Always wear safety glasses or eye shields during operation or while performing an adjustment or repair to protect eyes from foreign objects that may be thrown from the machine.

OPERATION

- Do not put hands or feet near or under rotating parts. Keep clear of the discharger opening at all times.
- Exercise extreme caution when operating on or crossing gravel drives, walks, or roads. Stay alert for hidden hazards or traffic.
- After striking a foreign object, stop the motor, remove the battery pack, thoroughly inspect the snow blower for any damage, and repair the damage before restarting and operating the snow blower.
- If the unit should start to vibrate abnormally, stop the motor and check immediately for the cause. Vibration is generally a warning of trouble.
- Stop the motor whenever you leave the operating position, before unclogging the auger assembly housing or discharge chute, and when making any repairs, adjustments or inspections.
- When clearing, repairing or inspecting the snow blower, stop the motor and make certain the auger assembly and all moving parts have stopped. Remove the battery pack to prevent someone from accidentally starting the motor.
- Exercise extreme caution when operating on slopes.
- Never operate the snow blower without proper guards and other safety protective devices in place and working.
- Never direct the discharge toward people or areas where property damage can occur. Keep children and others 100 ft (30 m) away.
- Do not overload the machine capacity by attempting to clear snow at too fast a rate.
- Never operate the machine at high transport speeds on slippery surfaces. Look behind and use care when operating in reverse.
- Disengage power to the auger assembly when snow blower is transported or not in use.
- Use only attachments and accessories approved by the manufacturer of the snow blower (such as rubber paddles and scraper bar).
- Never operate the snow blower without good visibility or light. Always be sure of your footing, and keep a firm hold on the handles. Walk; never run.
- Do not incinerate the appliance even if it is severely damaged. The batteries can explode in a fire.
- Do not expose a battery pack or appliance to fire or excessive temperature. Exposure to fire or temperature above 265 °F (130 °C) may cause explosion.
- Prevent unintentional starting. Ensure the switch is in the off-position before connecting to battery pack, picking up or carrying the appliance. Carrying the appliance with your finger on the switch or energizing appliances that have the switch on invites accidents.
- Disconnect the battery pack from the appliance before making any adjustments, changing accessories, or storing appliance. Such preventive safety measures reduce the risk of starting the appliance accidentally.
- Recharge only with the charger specified by the manufacturer. A charger that is suitable for one type of battery pack may create a risk of fire when used with another battery pack.
- Use appliances only with specifically designated battery packs. Use of any other battery packs may create a risk of injury and fire.
- When battery pack is not in use, keep it away from other metal objects, like paper clips, coins, keys, nails, screws or other small metal objects, that can make a connection from one terminal to another. Shorting the battery terminals together may cause burns or a fire.
- Under abusive conditions, liquid may be ejected from the battery; avoid contact. If contact accidentally occurs, flush with water. If liquid contacts eyes, additionally seek medical help. Liquid ejected from the battery may cause irritation or burns.

- Do not use a battery pack or appliance that is damaged or modified. Damaged or modified batteries may exhibit unpredictable behavior resulting in fire explosion or risk of injury.
- Follow all charging instructions and do not charge the battery pack or appliance outside of the temperature range specified in the instructions. Charging improperly or at temperatures outside of the specified range may damage the battery and increase the risk of fire.
- Have servicing performed by a qualified repair person using only identical replacement parts. This will ensure that the safety of the product is maintained.
- Do not modify or attempt to repair the appliance or the battery pack (as applicable) except as indicated in the instructions for use and care.

CLEARING A CLOGGING DISCHARGE CHUTE

- Hand contact with the rotating auger assembly inside the discharge chute is the most common cause of injury associated with snow blowers. Never use your hand to clean out the discharge chute.

To clear the chute:

SHUT THE MOTOR OFF!

- Wait 10 seconds to be sure the auger assembly blades have stopped rotating.
- Always use a clean-out tool, not your hands.

MAINTENANCE AND STORAGE





- Check all bolts or fasteners at frequent intervals for proper tightness to be sure the equipment is in safe working condition.
- Always refer to owner's manual for important details if the snow blower is to be stored for an extended period.
- Maintain or replace safety and instruction labels, as necessary.
- Run the machine a few minutes after blowing snow to prevent freeze-up of the auger assembly.
- **SAVE THESE INSTRUCTIONS.** Refer to them frequently and use them to instruct others who may use this machine. If you lend this machine to someone else, also lend these instructions to them to prevent misuse of the product and possibly injury.

SYMBOLS

Safety Symbols

The purpose of safety symbols is to attract your attention to possible dangers. The safety symbols and the explanations with them deserve your careful attention and understanding. The symbol warnings do not, by themselves, eliminate any danger. The instructions and warnings they give are no substitutes for proper accident prevention measures.

⚠ WARNING Be sure to read and understand all safety instructions in this Owner's Manual, including all safety alert symbols such as "**DANGER**," "**WARNING**," and "**CAUTION**" before using this machine. Failure to following all instructions listed below may result in electric shock, fire, and/or serious personal injury.

The definitions below describe the level of severity for each signal word. Please read the manual and pay attention to these symbols.	
	This is the safety alert symbol. It is used to alert you to potential personal injury hazards. Obey all safety messages that follow this symbol to avoid possible injury or death.
	DANGER indicates a hazardous situation which, if not avoided, will result in death or serious injury.
	WARNING indicates a hazardous situation which, if not avoided, could result in death or serious injury.
	CAUTION, used with the safety alert symbol, indicates a hazardous situation which, if not avoided, will result in minor or moderate injury.

Damage Prevention and Information Messages

These inform the user of important information and/or instructions that could lead to equipment or other property damage if they are not followed. Each message is preceded by the word "NOTICE", as in the example below:







NOTICE: Equipment and/or property damage may result if these instructions are not followed.






⚠ WARNING The operation of any machines can result in foreign objects being thrown into your eyes, which can result in severe eye damage. Before beginning machine operation, always wear safety goggles or safety glasses with side shields and a full face shield when needed. We recommend a Wide Vision Safety Mask for use over eyeglasses or standard safety glasses with side shields. Always use eye protection which is marked to comply with ANSI Z87.1.

SYMBOLS (CONTINUED)







IMPORTANT: Some of the following symbols may be used on your machine. Please study them and learn their meaning. Proper interpretation of these symbols will allow you to operate the machine better and more safely.

Symbol	Name	Designation/Explanation
V	Volts	Voltage
A	Amperes	Current
Hz	Hertz	Frequency (cycles per second)
W	Watt	Power
kg	Kilograms	Weight
min	Minutes	Time
s	Seconds	Time
Wh	Watt-hours	Battery capacity
Ah	Ampere-Hours	Battery capacity
Ø	Diameter	Size of drill bits, grinding wheels, etc.
n_0	No load speed	Rotational speed, at no load
n	Rated speed	Maximum attainable speed
.../min	Revolutions or reciprocation per minute	Revolutions, strokes, surface speed, orbits, etc. per minute
IPX4	Ingress Protection Degree	Protection from splashing water
	Arrow	Action in the direction of arrow
	Alternating current	Type or a characteristic of current
	Direct current	Type or a characteristic of current
	Li-ion RBRC seal	Designates Li-ion battery recycling program
	Read manual symbol	Alerts user to read manual
	Wear eye protection symbol	Always wear safety goggles or safety glasses with side shields and a full face shield when operating this product.

Symbol	Name	Designation/Explanation
	Wear protective gloves	Alerts user to wear hand protection.
	DANGER — Keep Hands Away from the Impeller	Do not use hands to unclog the chute.
	Keep Feet Out of Impeller	Keep feet away from rotating impeller

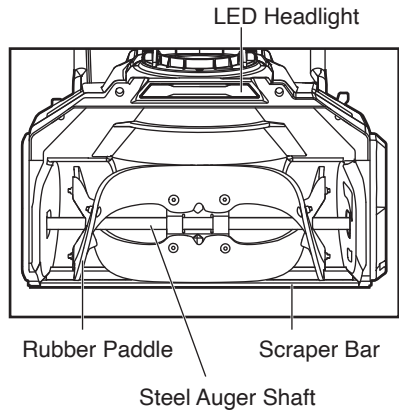
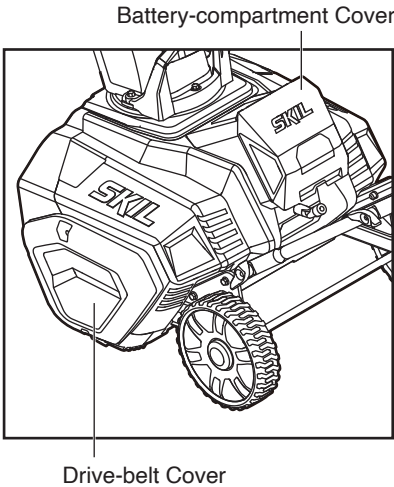
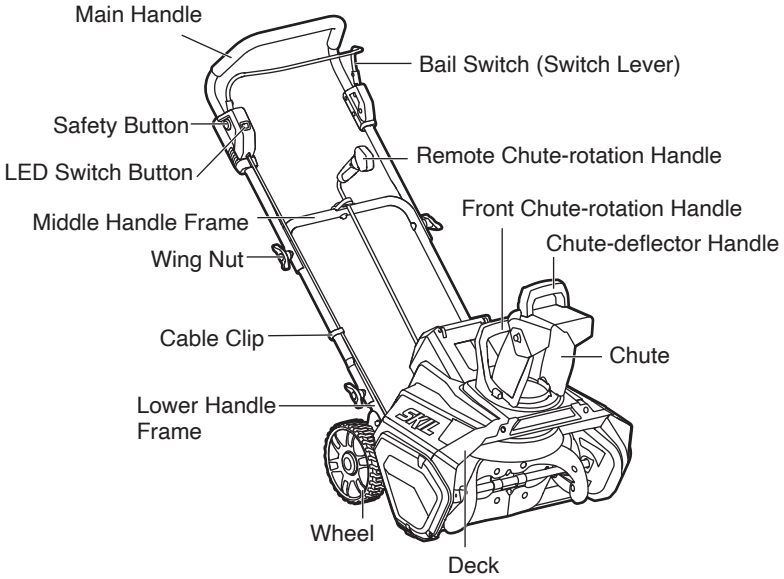
SYMBOLS (CERTIFICATION INFORMATION)

IMPORTANT: Some of the following symbols for certification information may be used on your machine. Please study them and learn their meaning. Proper interpretation of these symbols will allow you to operate the machine better and more safely.

Symbol	Designation/Explanation
	<p>This symbol designates that this tool is listed by Underwriters Laboratories.</p>
	<p>This symbol designates that this component is recognized by Underwriters Laboratories.</p>
	<p>This symbol designates that this tool is listed by Underwriters Laboratories, to United States and Canadian Standards.</p>
	<p>This symbol designates that this tool is listed by the Canadian Standards Association.</p>
	<p>This symbol designates that this tool is listed by the Canadian Standards Association, to United States and Canadian Standards.</p>
	<p>This symbol designates that this tool is listed by the Intertek Testing Services, to United States and Canadian Standards.</p>

GET TO KNOW YOUR SNOW BLOWER

Fig. 1



SPECIFICATIONS

Rated voltage	40V d.c.
No-load Speed	2000 RPM
Clearing Width	20" (50.8 cm)
Intake Height	10.5" (27 cm)
Throwing Distance	30' (10 m)
Wheel Size (diameter)	8" (20.3 cm)
Recommended Operating Temperature	- 4°F – 50°F (-20°C – 10°C)
Recommended Storage Temperature	- 4°F – 104°F (-20°C – 40°C)
Recommended Charging Temperature	41°F – 104°F (5°C – 40°C)

Recommended Accessories

PART NAME	MODEL NUMBER
Scraper Bar	SSS2000
Rubber Paddles (1 pair)	SRP2000

ASSEMBLY

⚠ WARNING To prevent accidental starting that could cause serious personal injury, always remove the battery pack from the machine when assembling parts, making adjustments, cleaning, or when not in use.

⚠ WARNING If any parts are damaged or missing, do not operate this product until the parts are replaced. Use of this product with damaged or missing parts could result in serious personal injury.

⚠ WARNING Do not attempt to modify this machine or create accessories not recommended for use with this machine. Any such alteration or modification is misuse and could result in a hazardous condition leading to possible serious injury.

Unpacking

This product requires assembly.

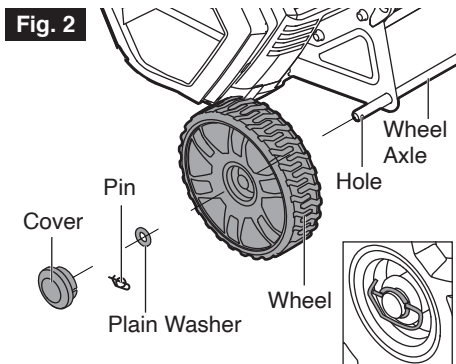
- Carefully remove the product and any accessories from the box. Make sure that all items listed in the packing list are included.
- Inspect the product carefully to make sure that no breakage or damage occurred during shipping.
- Do not discard the packing material until you have carefully inspected and satisfactorily operated the machine.
- If any parts are damaged or missing, please return the product to the place of purchase.

Packing List

PART NAME	QUANTITY
Snow Blower Assembly	1
Wheel, Cover, Plain Washer and Pin Set	2
Chute, Front Chute-rotation Handle Set	1
Long Bolt for Chute	3
Middle Handle Frame Assembly	1
Bolt, Washer and Wing Nut Set	4
Cable Clip	1
Owner's Manual	1

Installing the Wheels (Fig. 2)

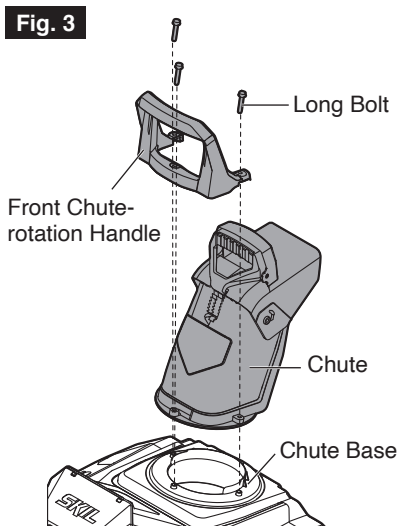
1. Mount one of the wheels and the plain washer onto the wheel axle.
2. Insert the pin through the hole in the wheel axle until it snaps into place.
3. Push the cover into the wheel hub.
4. Follow above steps to install the other wheel.



Installing the Chute (Fig. 3)

⚠ WARNING Never operate the snow blower without the complete discharge chute in place.

1. Align the three holes in the chute with three rods on the chute base and push the chute down.
2. Align the three holes in the front chute-rotation handle with the holes in the chute and place the handle onto the chute.
3. Use a Phillips screwdriver (not included) to secure the chute in place with three long bolts.



Installing the Middle Handle Frame Assembly

1. Rotate the front chute-rotation handle to make sure the chute discharge opening is facing straight ahead (Fig. 4a).
2. Make sure that the support seat and grip handle on the middle handle frame assembly are facing upward as shown in Fig. 4b.
3. Insert the head of the handle onto the head of the universal joint located under the battery compartment cover as far as it will go (Fig. 4c).
4. Align the two holes in the middle handle frame assembly with the holes in the lower handle frame. Insert two bolts with washers through the holes and secure the middle handle frame assembly to the lower handle frame with the wing nuts as shown in Fig. 4d.

Fig. 4a Front Chute-rotation Handle

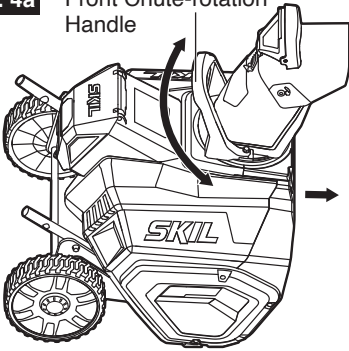


Fig. 4b

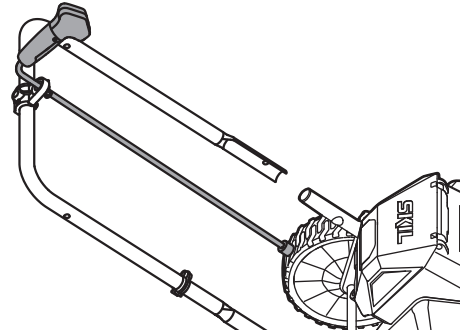


Fig. 4c

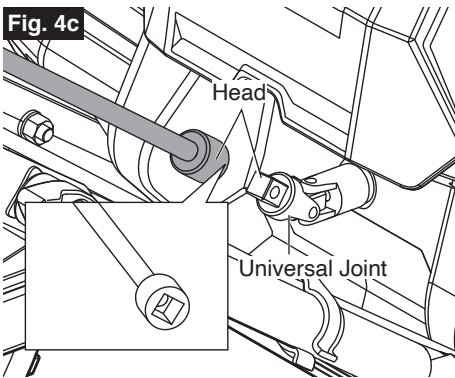
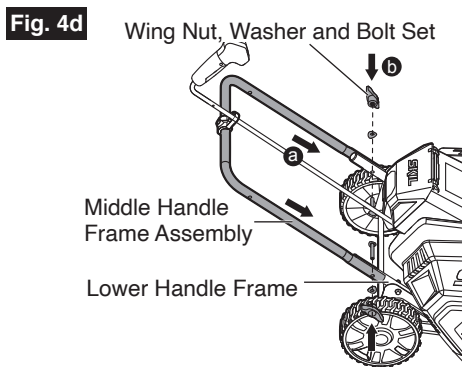
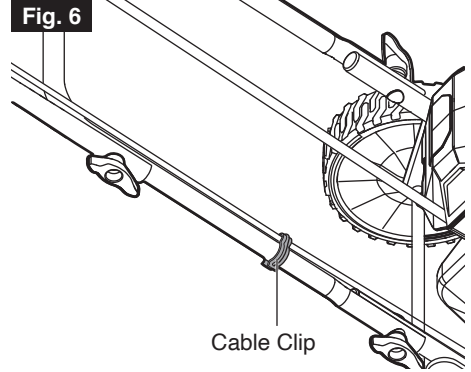
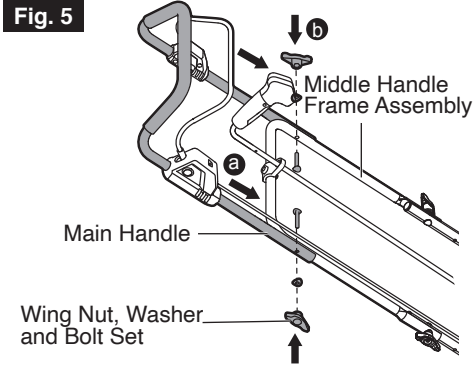


Fig. 4d



Installing the Main Handle

1. Lift the main handle and align the two holes in the main handle with the holes in the middle handle frame assembly as shown in Fig. 5.
2. Insert two bolts with washers through the holes and secure the main handle to the middle handle frame assembly with the wing nuts.
3. Secure the cable to the middle handle frame assembly using the cable clip as shown in Fig. 6.



Adjusting the Chute

The chute can be adjusted to change both the direction and the pitch of the discharged snow to assist you in moving snow away from one area and placing it in another.

The **direction** of snow removal can be adjusted up to 180° (Fig. 7a).

1. Turn the remote chute-rotation handle or the front chute-rotation handle leftwards to rotate the chute to the left (counterclockwise).
2. Turn the remote chute-rotation handle or the front chute-rotation handle rightwards to rotate the chute to the right (clockwise).

The **throwing distance** (or the pitch) of the snow blower is adjusted by moving the chute deflector up or down (Fig. 7b). Release bail switch before adjusting the chute deflector.

1. To increase the distance that the snow is thrown, squeeze the trigger on the chute-deflector handle, and then raise the chute deflector. Release the trigger on the chute-deflector handle to lock the chute deflector in place (Fig. 7b).
2. To decrease the distance that the snow is thrown, simply lower the deflector with the chute-deflector handle.

⚠ WARNING Do not force the chute so far forward that a gap appears between the deflector and the chute itself. Snow or other debris could be thrown through the gap and back at the operator, resulting in serious personal injury.

⚠ WARNING Do not adjust the chute deflector while the bail switch is engaged. Always release the bail switch before adjusting the chute deflector.

Fig. 7a

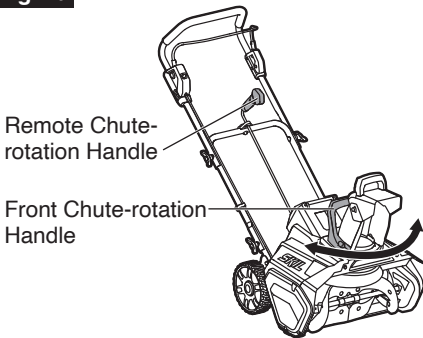
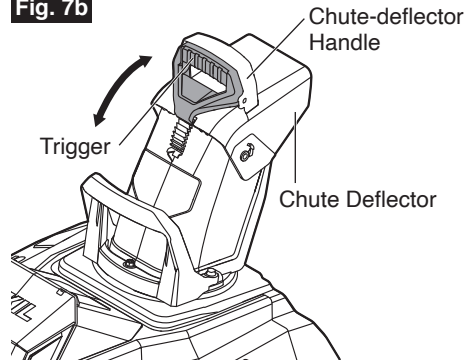


Fig. 7b



OPERATING INSTRUCTIONS

⚠ WARNING To reduce the risk of fire, personal injury, and product damage due to a short circuit, never immerse your machine, battery pack, or charger in fluid or allow a fluid to flow inside them. Corrosive or conductive fluids, such as seawater, certain industrial chemicals, and bleach or bleach-containing products, etc. can cause a short circuit.

⚠ WARNING If any parts are damaged or missing, do not operate this product until the parts are replaced. Use of this product with damaged or missing parts could result in serious personal injury.

⚠ WARNING Do not attempt to modify this product or create accessories not recommended for use with this product. Any such alteration or modification is misuse and could result in a hazardous condition leading to possible serious injury.

⚠ WARNING To prevent accidental starting that could cause serious personal injury, always remove the battery pack from the product when assembling parts, making adjustments, cleaning, or performing maintenance.

This snow blower must be used only with the battery packs and chargers listed below:

BATTERY PACK	CHARGER
BY8705-00 - 2.5Ah BY8708-00 - 5.0Ah BY8708C-01 - 4.0Ah BY8723C-00 - 6.0Ah	SC5364-00 SC5376C-00

NOTICE: Please refer to the battery and charger manuals for detailed operating instructions.

Applications

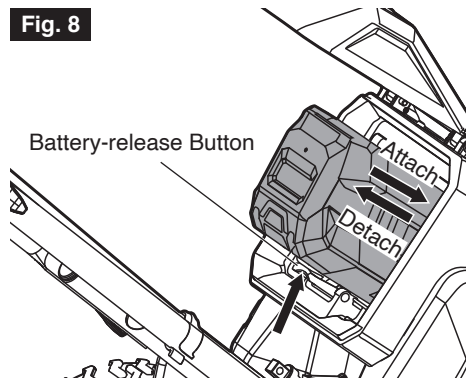
You may use this product for purpose listed below:

Removing snow from areas such as driveways and sidewalks.

Attaching/Detaching Battery Pack (Fig. 8)

Fig. 8

1. The battery-pack cover is hinged. Raise the battery-compartment cover by lifting the front of the cover.
2. Align the grooves in the battery pack with the raised ribs in the snow blower's battery compartment. Then insert the battery pack into the compartment.
3. Push the battery pack until you hear a "click". The battery-release button will spring up when the battery pack is securely attached.



NOTICE: Make sure that the latch on the blower snaps into place and that the battery pack is secured to the snow blower before starting operation.

4. To detach the battery pack, push the battery-release button to release the battery pack, and then pull it out of the compartment.
5. Close the battery-compartment cover.

Starting/Stopping the Snow Blower

⚠ WARNING Do not attempt to override the operation of the safety button and bail switch.

⚠ WARNING The operation of a snow blower can result in foreign objects being thrown into your or others' eyes, which can damage eyes severely. Always wear safety glasses while operating the snow blower or while performing any adjustments or repairs on the snow blower.

⚠ WARNING Ensure that other people and pets remain at least 100 ft (30 m) away from the snow blower when it is in use.

⚠ WARNING The auger will continue to rotate for a few seconds after the snow blower is turned off. Allow the auger to stop rotating before starting it again.

NOTICE: Do not rapidly turn the snow blower off and on.

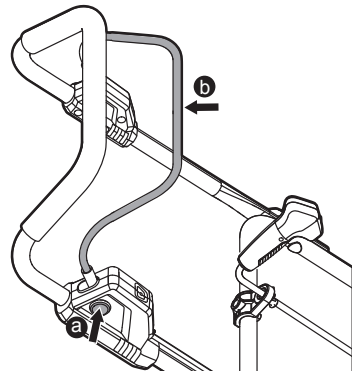
To start the Snow Blower (Fig. 9)

Fig. 9

1. Ensure that the main handle securely locked in the unfolded, open position.
2. Attach the battery pack to the snow blower and close the battery-compartment cover.
3. Depress the safety button. With the safety button depressed, pull the bail switch to meet the main handle.
4. Once the snow blower starts, release the safety button and begin operation.

NOTICE: The machine is started by depressing the safety button first, followed by squeezing the bail switch. The reverse operation will not start the machine.

NOTICE: The snow blower may not properly start if its battery temperature is -4°F (-20°C) or less. If unit doesn't start, remove the battery pack from the snow blower and allow it to warm indoors for 10 minutes or longer. Reinstall the battery pack and try again.



To stop the Snow Blower

1. Fully release the bail switch.
2. The electric brake in the Automatic Braking Mechanism will stop the auger rotation within 3 seconds of the bail-switch release.

Clearing a Clogged Chute

⚠ WARNING Hands coming in contact with the rotating auger inside the chute is the most common cause of injury associated with snow blowers. Never use your hand to clean out the chute.

To Clear the Chute:

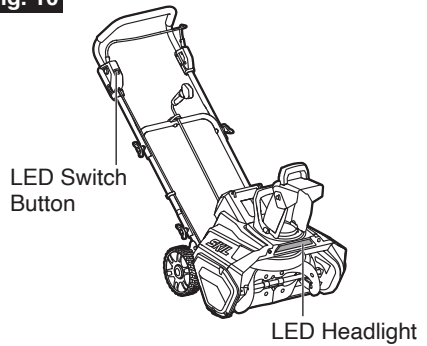
1. Turn the snow blower off!
2. Remove the battery pack from the snow blower.
3. Wait 10 seconds to be sure the auger has stopped rotating.
4. Always use a clean-out tool, such as a wooden rod or other clearing tools that are commercially available; do not use your hand.

LED Headlight (Fig. 10)

The LED headlight is located on the front of the snow blower.

1. To turn on the light, press the LED switch button.
2. To turn off the headlight, press the LED switch button again.

Fig. 10



Operating Tips

⚠ DANGER Never use a snow blower on frozen lakes, rivers, or similar surfaces. Death or serious injury could occur if the ice breaks.

⚠ DANGER Never use the snow blower on a rooftop or other unstable surface, which can result in death or serious personal injury.

⚠ WARNING Do not use snow blower on ice, which can cause the operator to slip and fall, resulting in possibly serious personal injury.

⚠ WARNING Do not wear loose clothing, scarves, or jewelry. They can be caught in moving parts and cause death or serious personal injury.

⚠ WARNING Keep all snow discharge pointed away from all electrical devices to reduce the risk of electrocution or electric shock.

⚠ WARNING Never point the snow blower or discharge chute in the direction of people or pets. Thrown snow or other objects can cause serious personal injuries.

⚠ WARNING Make sure that the area to be cleared is free of stones, sticks, wires, gravel, and other objects that could be accidentally thrown by the snow blower in any direction and cause serious personal injury to the operator and others.

⚠ WARNING Never reach into the discharge chute or place any body part in front of the snow blower when the unit is operating or when the battery pack is installed. Always ensure all moving parts have stopped and the battery pack has been removed before clearing any obstructions. Failure to follow these instructions can result in serious personal injury.

- If the snow blower comes in contact with any type of obstruction or debris during use, stop the snow blower, remove the battery pack, remove the obstruction, and inspect the unit carefully for damage before proceeding.
- Take notice of the direction of the wind before beginning. When possible, discharge snow in the same direction as the wind to prevent snow from being thrown back into your face.
- Some parts of the snow blower can freeze under extreme weather conditions. Do not attempt to operate the unit with frozen parts.
- When finished, allow the motor to run for an additional few minutes to prevent moving parts from freezing, then turn the remote or front chute-rotation handle left and right several times to free the chute from any ice buildup. Make sure to clean off any snow and ice from the chute base.
- In snowy and cold conditions, some controls and moving parts may freeze. Do not use excessive force when trying to operate frozen controls. If you have difficulty operating any control or part, start the snow blower as instructed in the chapter “Starting/Stopping the Snow Blower” and let it run for a few minutes.

Snow Blower Overload Protection

To prevent overload conditions, do not try to remove too much snow at a time. Slow down your pace or decrease the width of the snow-clearing swath.

Your snow blower has built-in overload-sensing elements. When the snow blower is overloaded, the motor will decrease the speed automatically and you will hear a decrease of motor noise. Slow down your pace or narrow the clearing width in this case, after which the motor speed will resume its normal operation automatically. If this remedy does not solve the overload situation, the sensor will shut off the motor automatically. Remove the battery pack from the snow blower. Check to see if there is snow or ice stuck in the auger and deck, and use a clean-out tool to clear them out as necessary. Reattach the battery pack and restart the snow blower.

Battery High-temperature Protection

If the battery temperature exceeds 158°F (70°C) during operation, the temperature-protection circuit will immediately shut off the snow blower to protect the battery pack from overheating damage.

Release the bail switch and allow the overheated battery pack to cool down and the red LEDs on the battery pack turn green, then restart the snow blower.

After high-temperature protection has occurred, slow down your pace and narrow width of the clearing swath to reduce the load on the battery.

MAINTENANCE

⚠ WARNING To avoid serious personal injury, always remove the battery pack from the product when cleaning or performing any maintenance.

Service

⚠ WARNING Preventive maintenance performed by unauthorized personnel may result in misplacing of internal wires and components which could cause serious hazard. We recommend that all tool service be performed by a SKIL Factory Service Center or Authorized SKIL Service Station.

General Maintenance

⚠ WARNING When servicing, use only identical replacement parts. Use of any other parts could create a hazard or cause product damage. Periodically inspect the entire product for damaged, missing, or loose parts such as screws, nuts, bolts, caps, etc. Tighten securely all fasteners and caps and do not operate this product until all missing or damaged parts are replaced. Please contact customer service or an authorized service center for assistance.

Cleaning

Avoid using solvents when cleaning plastic parts. Most plastics are susceptible to damage from various types of commercial solvents and may be damaged by their use.

Use a piece of clean cloth to remove dirt, dust, oil, grease, etc.

⚠ WARNING Do not at any time let brake fluids, gasoline, petroleum-based products, penetrating oils, etc., come in contact with plastic parts. Chemicals can damage, weaken or destroy plastic which may result in serious personal injury.

Storage

Store the snow blower indoors in a place that is inaccessible to children. Keep away from corrosive agents.

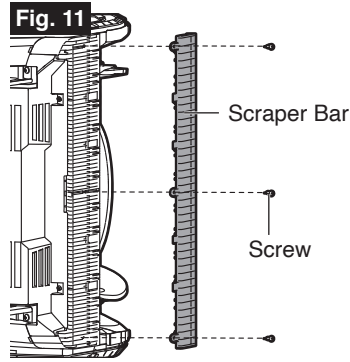
Lubricating the Machine

All of the bearings in this product are lubricated with a sufficient amount of high grade lubricant for the life of the unit under normal operating conditions. Therefore, no further bearing lubrication is required.

Replacing the Scraper Bar (Fig. 11)

⚠ WARNING Make sure to turn off the snow blower by releasing the bail switch and remove the battery pack before performing any maintenance task on your snow blower.

1. The scraper bar is located at the bottom of the snow blower beneath the auger.
2. Use a Phillips screwdriver (not included) to remove the 3 screws. Detach the worn scraper bar from the snow blower.
3. Attach the new scraper bar and fasten it securely to the snow blower with the three screws.

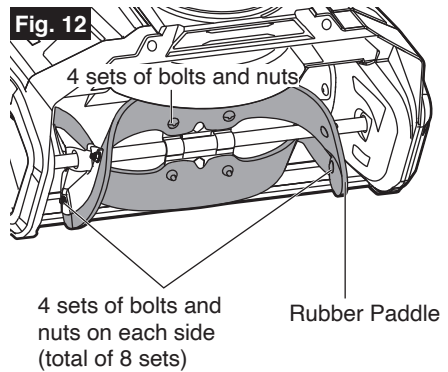


Replacing the Rubber Paddles (Fig. 12)

⚠ WARNING Make sure to turn off the snow blower by releasing the bail switch and remove the battery pack before performing any maintenance task on your snow blower.

NOTICE: When replacing worn rubber paddles, pay close attention to the order in which you remove them. Assemble the new rubber paddles in the reverse order of the disassembly.

1. Use a 3/8" (10 mm) socket wrench (not included) and a 5/32" (4mm) hex key (not included) to remove the 4 sets of nuts and bolts fixed on the middle steel plate, and the 4 sets of nuts and bolts fixed on the steel plate on each side (total of 8 sets), that are used to secure the rubber paddles.
2. Remove the paddles.
3. Install the new rubber paddles in the reverse order of the disassembly. Secure them by tightening the 4 sets of nuts and bolts on each side (total of 8 sets) and the 4 sets in the middle.



Storing the Snow Blower

⚠ CAUTION Ensure that all melted snow that may drip from the snow blower is properly wiped up to prevent a slip and fall hazard.

- Remove the battery pack and store it in a secure location out of the reach of children.

NOTE: When not in use, the battery pack should be stored in an enclosed area where the temperature will not drop below 32°F (0°C).

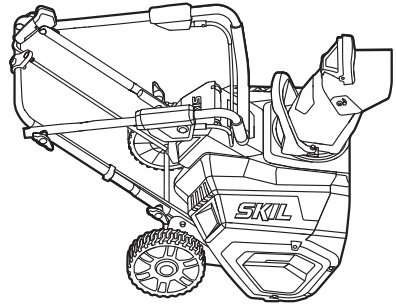
Before storage, wipe any moisture, dirt, or debris from the battery compartment area.

- Wipe the snow blower with a clean dry cloth.
- Check all nuts, bolts, knobs, screws, etc., for tightness.
- Inspect moving parts for damage, breakage, and wear. Have any damaged or missing parts repaired or replaced.

The snow blower can be stored in a compact way.

1. Loosen the wing nuts on both sides and rotate the main handle to the storage position as shown in Fig. 13.
 2. Tighten the wing nuts to secure the main handle in place.
- Store the snow blower in a clean, dry, enclosed place out of the reach of children.
 - Do not store near corrosive materials such as fertilizer or rock salt.

Fig. 13



TROUBLESHOOTING

Problem	Cause	Remedy
Snow blower does not start.	<ol style="list-style-type: none"> 1. Battery pack charge is low. 2. Safety button is not depressed. 3. Motor overload or battery pack overheating – the snow blower has stopped working in order to protect internal circuits. 4. The battery pack is too cold. 	<ol style="list-style-type: none"> 1. Charge the battery pack. 2. Press the safety button and then squeeze the bail switch. 3. Clear the snow or ice stuck in the auger and deck. Wait for the machine/ battery pack to cool down, and then start the machine again. 4. Warm the battery pack to room temperature and then try again.
The motor is running, but the auger does not turn.	The drive belt is worn or damaged.	Have the drive belt replaced by an Authorized SKIL Service Station.
The snow blower leaves a layer of snow on the ground after passing.	The scraper bar is worn.	Replace the scraper bar following the section “ Replacing the Scraper Bar ” in this manual.

LIMITED WARRANTY OF SKIL CONSUMER TOOLS

5 YEAR LIMITED WARRANTY

Chervon North America, Inc. ("Seller") warrants to the original purchaser only, that all SKIL consumer TOOLS will be free from defects in material or workmanship for a period of five years from date of purchase, if original purchaser registers the product within 30 days from purchase. BATTERIES AND CHARGERS are warranted for 2 years. Product registration can be completed online at www.Registermyskil.com. Original purchasers should also retain their receipt as proof of purchase. THE FIVE-YEAR WARRANTY PERIOD FOR TOOLS IS CONDITIONED ON REGISTRATION OF THE PRODUCT WITHIN 30 DAYS OF PURCHASE. If original purchasers do not register their product within 30 days of purchase, the foregoing limited warranty will apply for a duration of three years for tools. All batteries and chargers will remain under the two-year limited warranty.

Notwithstanding the foregoing, if a SKIL consumer tool is used for industrial, professional, or commercial purposes, the foregoing warranty will apply for a duration of ninety days, regardless of registration.

SELLER'S SOLE OBLIGATION AND YOUR EXCLUSIVE REMEDY under this Limited Warranty and, to the extent permitted by law, any warranty or condition implied by law, shall be the repair or replacement of parts, without charge, which are defective in material or workmanship and which have not been misused, carelessly handled, or repaired by persons other than Seller or Authorized Service Station. To make a claim under this Limited Warranty, you must return the complete product, transportation prepaid, to any SKIL Factory Service Center or Authorized Service Station. For Authorized SKIL Power Tool Service Stations, please visit www.Registermyskil.com or call 1-877-SKIL-999 (1-877-754-5999).

THIS WARRANTY DOES NOT COVER ROUTINE MAINTENANCE PARTS AND CONSUMABLES THAT CAN WEAR OUT FROM NORMAL USE WITHIN THE WARRANTY PERIOD, INCLUDING BLADES, TRIMMER HEADS, CHAIN BARS, SAW CHAINS, BELTS, SCRAPER BARS, AND BLOWER NOZZLES.

ANY IMPLIED WARRANTIES APPLICABLE TO A PRODUCT SHALL BE LIMITED IN DURATION EQUAL TO THE DURATION OF THE EXPRESS WARRANTIES APPLICABLE TO SUCH PRODUCT, AS SET FORTH IN THE FIRST PARAGRAPH ABOVE. SOME STATES IN THE U.S., SOME CANADIAN PROVINCES DO NOT ALLOW LIMITATIONS ON HOW LONG AN IMPLIED WARRANTY LASTS, SO THE ABOVE LIMITATION MAY NOT APPLY TO YOU.

THIS WARRANTY DOES NOT COVER THE DAMAGE RESULTING FROM MODIFICATION, ALTERATION, OR UNAUTHORIZED REPAIR.

IN NO EVENT SHALL SELLER BE LIABLE FOR ANY INCIDENTAL OR CONSEQUENTIAL DAMAGES (INCLUDING BUT NOT LIMITED TO LIABILITY FOR LOSS OF PROFITS) ARISING FROM THE SALE OR USE OF THIS PRODUCT. SOME STATES IN THE U.S. AND SOME CANADIAN PROVINCES DO NOT ALLOW THE EXCLUSION OR LIMITATION OF INCIDENTAL OR CONSEQUENTIAL DAMAGES, SO THE ABOVE LIMITATION OR EXCLUSION MAY NOT APPLY TO YOU.

THIS LIMITED WARRANTY GIVES YOU SPECIFIC LEGAL RIGHTS, AND YOU MAY ALSO HAVE OTHER RIGHTS WHICH VARY FROM STATE TO STATE IN THE U.S., PROVINCE TO PROVINCE IN CANADA AND FROM COUNTRY TO COUNTRY.

THIS LIMITED WARRANTY APPLIES ONLY TO PRODUCTS SOLD WITHIN THE UNITED STATES OF AMERICA, CANADA AND THE COMMONWEALTH OF PUERTO RICO. FOR WARRANTY COVERAGE WITHIN OTHER COUNTRIES, CONTACT YOUR LOCAL SKIL DEALER OR IMPORTER.

TABLE DES MATIÈRES

Consignes de sécurité importantes.....	28-30
Symboles	31-24
Familiarisez-vous avec votre souffleuse à neige.....	35
Spécifications	36
Assemblage	36-41
Instructions pour l'utilisation.....	42-46
Maintenance.....	47-49
Recherche de la cause des problèmes.....	50
Garantie limitée des outils grand public SKIL	51

CONSIGNES DE SÉCURITÉ IMPORTANTES

⚠ DANGER Cette souffleuse à neige peut amputer une personne des bras et des pieds et projeter des objets. Le non-respect des consignes de sécurité peut entraîner des blessures graves.

⚠ AVERTISSEMENT Lorsque vous utilisez des appareils électriques pour l'extérieur, respectez les mesures de sécurité élémentaires afin de réduire les risques d'incendie, de choc électrique et de blessure. Ces précautions élémentaires sont les suivantes :

LISEZ TOUTES LES INSTRUCTIONS AVANT D'UTILISER CET ARTICLE!

POUR TOUTES LES SOUFFLEUSES À NEIGE

- N'utilisez pas cet appareil sur une surface de gravier.
- Maintenez les enfants à l'écart. Tous les visiteurs doivent se tenir à une distance sécuritaire de la zone de travail.
- Portez une tenue adéquate. Ne portez pas de vêtements amples ni de bijoux qui peuvent s'accrocher. Ils pourraient se coincer dans les pièces mobiles de l'outil.
- Portez des bottes en caoutchouc lorsque vous utilisez la souffleuse à neige.
- Gardez vos mains éloignées des pièces mobiles.
- Assurez-vous que les protecteurs sont bien en place et en état de fonctionnement.
- Ne forcez pas la souffleuse à neige. Elle fonctionnera mieux et sera plus sécuritaire au régime de fonctionnement pour lequel elle a été conçue.
- N'essayez pas d'étendre votre portée. Gardez une posture sécuritaire et un bon équilibre en tout temps.
- Si la souffleuse à neige heurte un corps étranger, procédez comme suit :
 1. Arrêtez la souffleuse à neige. Relâchez l'interrupteur.
 2. Retirez les blocs-piles.
 3. Vérifiez que la souffleuse à neige n'est pas endommagée.
 4. Réparez tout dommage avant de redémarrer et d'utiliser la souffleuse à neige.
- Rangez la souffleuse à neige à l'intérieur. Lorsqu'elle n'est pas utilisée, la souffleuse à neige doit être rangée à l'intérieur dans un endroit sec, fermé à clé et hors de la portée des enfants.
- Entretenez soigneusement votre souffleuse à neige. Suivez toutes les instructions relatives à la lubrification et au remplacement des accessoires.

FORMATION

- Vous devez lire, comprendre et suivre toutes les instructions indiquées sur l'appareil ou dans les guides d'utilisation avant de vous en servir. Assurez-vous de bien connaître les commandes et l'utilisation appropriée de l'appareil. Sachez comment arrêter l'appareil et désengager les commandes rapidement.
- Ne laissez jamais des enfants utiliser l'appareil. Ne laissez jamais des adultes utiliser l'appareil sans leur fournir les instructions appropriées.
- Assurez-vous de garder toutes les personnes, en particulier les jeunes enfants, à l'extérieur de la zone d'utilisation.
- Faire preuve de prudence pour éviter de glisser ou de tomber, surtout lorsque vous utilisez la souffleuse à neige à reculons.

PRÉPARATION

- Inspectez soigneusement la zone où l'appareil doit être utilisé et retirez tous les pailleçons, traîneaux, planches, fils et autres corps étrangers.
- N'utilisez pas l'appareil sans porter des vêtements d'hiver adéquats. Ne portez pas de

vêtements amples qui peuvent se coincer dans les pièces mobiles. Portez des bottes qui améliorent votre stabilité sur des surfaces glissantes.

- N'essayez jamais de faire des ajustements lorsque le moteur tourne (sauf si le fabricant le recommande explicitement).
- Portez toujours des lunettes de sécurité ou des protecteurs oculaires lorsque vous utilisez l'appareil ou procédez à des réglages ou à une réparation afin de protéger vos yeux contre des corps étrangers pouvant être projetés par l'appareil.

FONCTIONNEMENT

- Ne mettez pas les mains ni les pieds à proximité des pièces rotatives, ni sous ces pièces. Maintenez l'ouverture de la goulotte dégagée en tout temps.
- Soyez extrêmement prudent lorsque vous déneigez des entrées, des allées et des trottoirs de gravier ou lorsque vous traversez de telles surfaces. Prêtez attention à la circulation et aux dangers cachés.
- Après avoir heurté un obstacle, arrêtez le moteur, retirez les blocs-piles, vérifiez soigneusement que la souffleuse à neige n'est pas endommagée. Effectuez les réparations nécessaires avant de redémarrer l'appareil et de reprendre le déneigement.
- Si l'appareil venait à vibrer de manière anormale, arrêtez le moteur et trouvez immédiatement la cause des vibrations. Les vibrations indiquent généralement un problème.
- Arrêtez le moteur chaque fois que vous quittez la position de conduite, avant de désobstruer le logement de la vis sans fin ou la goulotte, et avant d'entreprendre des réparations, des réglages ou des inspections.
- Avant tout nettoyage, toute inspection ou toute réparation de la souffleuse à neige, arrêtez le moteur et attendez l'arrêt complet de la vis sans fin et de toutes les pièces mobiles. Retirez les blocs-piles afin que le moteur ne puisse être démarré accidentellement.
- Faites preuve d'une extrême prudence lorsque vous utilisez l'appareil sur des pentes.
- Ne faites jamais fonctionner la souffleuse à neige sans que les protecteurs et les autres dispositifs de sécurité appropriés ne soient en place et fonctionnels.
- Ne dirigez jamais l'éjection vers des personnes ou des endroits qui pourraient subir des dommages matériels. Tenez les enfants et autres personnes à une distance de 30 m (100 po).
- Ne forcez pas la capacité de l'appareil en tentant de déblayer la neige à une vitesse trop rapide.
- N'utilisez jamais l'appareil à grande vitesse sur des surfaces glissantes. Regardez derrière vous et faites preuve de prudence lorsque vous utilisez la souffleuse à neige à reculons.
- Désengagez l'alimentation de la vis sans fin lorsque vous transportez la souffleuse à neige ou que vous ne l'utilisez pas.
- N'utilisez que des pièces et des accessoires approuvés par le fabricant de la souffleuse à neige (tels que les palettes en caoutchouc et la barre de raclage).
- Ne faites jamais fonctionner la souffleuse à neige à moins de disposer d'une bonne visibilité ou d'un éclairage suffisant. Veillez à ne pas perdre l'équilibre et tenez fermement le guidon. Marchez; ne courez jamais.
- N'incinerez pas l'appareil, même s'il est sérieusement endommagé. Les blocs-piles risquent d'exploser s'ils sont en contact avec le feu.
- N'exposez pas un bloc-piles ou un outil à un feu ou à une température excessive. L'exposition au feu ou à une température supérieure à 130 °C (265 °F) peut provoquer une explosion.
- Prenez des mesures afin d'éviter que l'outil se mette en marche accidentellement. Assurez-vous que l'interrupteur est en position d'arrêt avant de brancher l'outil sur un bloc-piles, de le ramasser ou de le transporter. Transporter l'appareil avec le doigt sur l'interrupteur ou le brancher lorsque l'interrupteur est en position de marche augmente les risques d'accident.

- Retirez le bloc-piles de l'appareil avant d'effectuer des réglages, de changer des accessoires ou de le ranger. Ces mesures de sécurité préventives réduisent les risques de mise en marche accidentelle de l'appareil.
- Rechargez uniquement le bloc-piles à l'aide du chargeur approuvé par le fabricant. Un chargeur conçu pour un type de bloc-piles peut causer un incendie s'il est utilisé avec un autre bloc-piles.
- Utilisez les appareils uniquement avec les blocs-piles qui leur sont destinés. L'utilisation de tout autre bloc-piles peut constituer un risque de blessure et d'incendie.
- Lorsque vous n'utilisez pas le bloc-piles, conservez-le à l'écart d'autres objets métalliques, comme des trombones, des pièces de monnaie, des clés, des clous, des vis et d'autres petits objets métalliques qui peuvent connecter une borne à une autre. Un court-circuit entre les bornes du bloc-piles peut occasionner des brûlures ou un incendie.
- En cas d'usage abusif, du liquide peut s'échapper du bloc-piles; évitez tout contact avec ce liquide. En cas de contact accidentel, rincez à l'eau. En cas de contact avec les yeux, consultez un médecin. Le liquide provenant du bloc-piles peut causer de l'irritation ou des brûlures.
- N'utilisez pas un bloc-piles ou un appareil endommagé ou modifié. Les blocs-piles modifiés ou endommagés peuvent fonctionner de façon imprévisible et présenter un risque d'incendie, d'explosion ou de blessures.
- Suivez toutes les instructions pour le chargement et ne chargez pas le bloc-piles ou l'appareil en dehors de la plage de température spécifiée dans les instructions. Une recharge inadéquate ou effectuée à des températures en dehors de la plage indiquée peut endommager le bloc-piles et augmenter le risque d'incendie.
- Demandez à un technicien qualifié qui utilise seulement des pièces de rechange identiques aux pièces d'origine d'effectuer l'entretien de l'appareil. Vous vous assurerez ainsi que l'article demeure sécuritaire.
- Ne tentez pas de modifier ni de réparer l'appareil ou le bloc-piles (le cas échéant), sauf comme indiqué dans les instructions pour l'utilisation et l'entretien.

POUR DÉSOBSTRUER LA GOULOTTE D'ÉJECTION

- Le contact de la main avec la vis sans fin en marche à l'intérieur de la goulotte d'éjection est la cause la plus courante de blessures associées aux souffleuses à neige. N'utilisez jamais vos mains pour désobstruer la goulotte d'éjection.

Pour désobstruer la goulotte :

ARRÊTEZ LE MOTEUR!

- Attendez 10 secondes pour vous assurer que les lames de la vis sans fin ne tournent plus.
- Utilisez toujours un outil de déblocage, et non vos mains.

ENTRETIEN ET ENTREPOSAGE





- Vérifiez fréquemment que tous les boulons ou toutes les fixations sont bien serrés pour vous assurer que l'appareil est en bon état de marche.
- Suivez toujours les instructions d'entreposage qui figurent dans le guide d'utilisation avant d'entreposer l'appareil pour une durée prolongée afin de n'oublier aucune étape importante.
- Préservez ou remplacez les étiquettes de sécurité et d'instruction, selon les besoins.
- Après avoir utilisé la souffleuse à neige, laissez-la tourner à vide quelques minutes pour éviter que la vis sans fin ne soit bloquée par le gel.
- **CONSERVEZ CES INSTRUCTIONS.** Consultez-les régulièrement et utilisez-les pour expliquer le fonctionnement de l'outil à d'autres personnes qui l'utiliseraient. Si vous prêtez cet outil à quelqu'un, prêtez-lui également ces instructions afin de prévenir une utilisation inappropriée de l'article et des blessures potentielles.

SYMBOLES

Symboles de sécurité

L'objectif des symboles de sécurité est d'attirer votre attention sur les dangers potentiels. Vous devez examiner attentivement et bien comprendre les symboles de sécurité et les explications qui les accompagnent. Les symboles d'avertissement en tant que tels n'éliminent pas le danger. Les consignes et les avertissements qui y sont associés ne remplacent en aucun cas les mesures préventives adéquates.

⚠ AVERTISSEMENT Assurez-vous de lire et de comprendre toutes les consignes de sécurité présentées dans le présent guide d'utilisation, notamment toutes les consignes de sécurité indiquées par « **DANGER** », « **AVERTISSEMENT** » et « **ATTENTION** » avant d'utiliser cet outil. Le fait de ne pas respecter toutes les consignes de sécurité ci-dessous peut causer un choc électrique, un incendie ou des blessures graves.

Les définitions ci-dessous décrivent le degré de gravité pour chaque mot-indicateur. Veuillez lire ce guide et prêter attention à ces symboles.	
	Voici le pictogramme d'alerte de sécurité. Il sert à vous indiquer les risques potentiels de blessures. Respectez toutes les consignes de sécurité associées à ce pictogramme pour éviter les risques de blessures ou de mort.
	DANGER indique un danger imminent qui, s'il n'est pas évité, causera des blessures graves ou la mort.
	AVERTISSEMENT indique un risque pouvant entraîner des blessures graves ou la mort s'il n'est pas prévenu.
	ATTENTION, utilisée avec le symbole d'alerte de sécurité, indique un risque potentiel qui, s'il n'est pas éliminé, provoquera des blessures mineures ou moyennement graves.

Messages d'information et de prévention des dommages

Ces messages contiennent des renseignements importants à l'intention de l'utilisateur ainsi que des consignes à respecter. Le non-respect de celles-ci peut occasionner des dommages à l'équipement ou d'autres dommages matériels. Chaque message est précédé du mot « AVIS », comme dans l'exemple ci-dessous :




AVIS : Ne pas suivre ces consignes pourrait occasionner des dommages à l'équipement ou d'autres dommages matériels.






⚠ AVERTISSEMENT L'utilisation de tout outil électrique peut entraîner la projection de corps étrangers dans les yeux et ainsi causer des lésions oculaires graves. Lorsque vous utilisez un outil électrique, portez toujours des lunettes de sécurité pourvues d'écrans latéraux et d'un écran facial panoramique, au besoin. Nous recommandons le port d'un masque de sécurité panoramique par-dessus les lunettes ou de lunettes de sécurité standard avec écrans latéraux. Portez toujours des protecteurs oculaires conformes à la norme ANSI Z87.1.

SYMBOLES (SUITE)







IMPORTANT : Les symboles suivants peuvent figurer sur votre outil. Familiarisez-vous avec eux et apprenez leur signification. En comprenant ces symboles, vous serez en mesure de faire fonctionner cet outil de façon adéquate et sécuritaire.

Symbole	Nom	Forme au long et explication
V	Volts	Tension
A	Ampère	Courant
Hz	Hertz	Fréquence (cycles par seconde)
W	Watt	Puissance
kg	Kilogrammes	Poids
min	Minutes	Durée
s	Secondes	Durée
Wh	Wattheures	Capacité de la pile
Ah	Ampères-heures	Capacité de la pile
Ø	Diamètre	Taille des forets, des meules, etc.
n_0	Vitesse à vide	Vitesse de rotation à vide
n	Vitesse nominale	Vitesse maximale atteignable
.../min	Tours ou va-et-vient par minute	Tours, coups, vitesse périphérique, orbites, etc., par minute
IPX4	Degré de protection contre l'intrusion	Protection contre les projections d'eau
➔	Flèche	L'activation se fait dans le sens de la flèche
~	Courant alternatif	Type de courant ou caractéristique de courant
—	Courant continu	Type de courant ou caractéristique de courant
	Sceau du programme de recyclage des piles au lithium-ion	Désigne le programme de recyclage des piles au lithium-ion
	Symbole de lecture du manuel	Invite l'utilisateur à lire le manuel
	Symbole du port de lunettes de sécurité	Invite l'utilisateur à porter des lunettes de protection

Symbole	Nom	Forme au long et explication
	Portez des gants de protection.	Alerte l'utilisateur pour lui demander de porter des gants afin de se protéger les mains.
	DANGER — Gardez vos mains éloignées de l'hélice.	N'utilisez pas vos mains pour déboucher la goulotte de décharge.
	Gardez vos pieds à distance de l'hélice	Gardez vos pieds éloignés de l'hélice en rotation

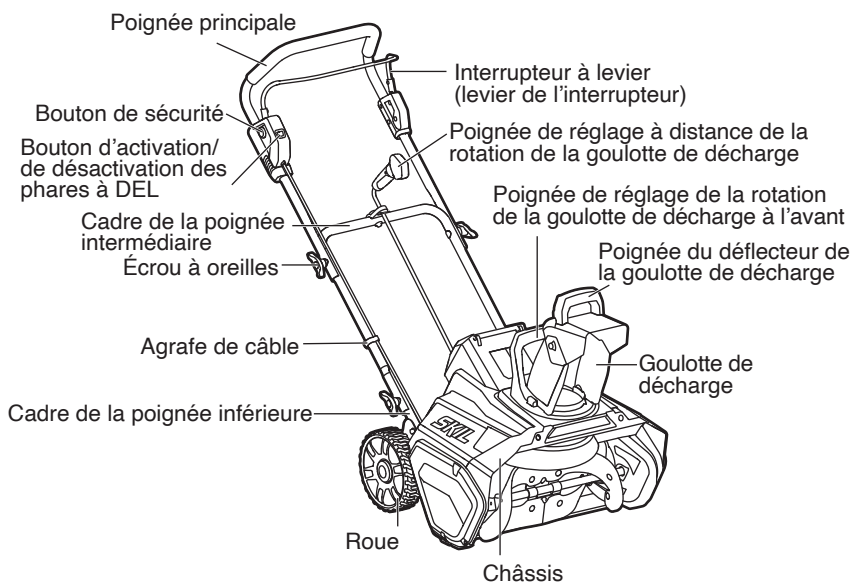
SYMBOLES (RENSEIGNEMENTS EN MATIÈRE D'HOMOLOGATION)

IMPORTANT: Les symboles suivants peuvent figurer sur votre outil. Familiarisez-vous avec eux et apprenez leur signification. En comprenant ces symboles, vous serez en mesure de faire fonctionner cet outil de façon adéquate et sécuritaire.

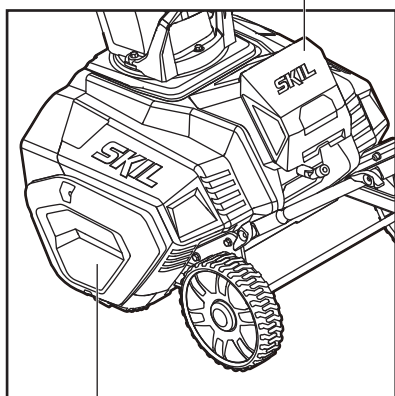
Symbole	Forme au long et explication
	Ce symbole indique que cet outil est répertorié par Underwriters Laboratories.
	Ce symbole indique que cet composant est reconnu par Underwriters Laboratories.
	Ce symbole indique que cet outil est répertorié par Underwriters Laboratories, selon les normes américaines et canadiennes.
	Ce symbole indique que cet outil est répertorié par l'Association canadienne de normalisation.
	Ce symbole indique que cet outil est répertorié par l'Association canadienne de normalisation et qu'il est conforme aux normes américaines et canadiennes.
	Ce symbole indique que cet outil est répertorié par Intertek Testing et qu'il est conforme aux normes américaines et canadiennes.

FAMILIARISEZ-VOUS AVEC VOTRE SOUFFLEUSE À NEIGE

Fig. 1

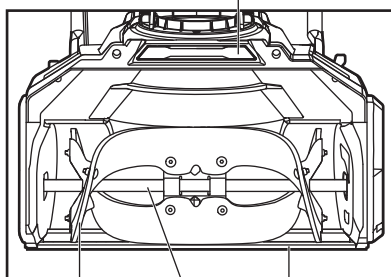


Couvercle du compartiment des piles



Couvercle de la courroie d'entraînement

Phare à DEL



Palette en caoutchouc

Barre de raclage

Arbre de la vis sans fin en acier

SPÉCIFICATIONS

Tension nominale	40 V c.c.
Vitesse à vide	2 000 tr/min
Largeur de dégagement	50,8 cm / 20 po
Hauteur d'admission	27 cm / 10,5 po
Distance de projection	10 m / 30 pi
Taille de la roue(diamètre)	20,3 cm / 8 po
Température de fonctionnement recommandée	-20° C – 10° C / -4° F – 50° F
Température de stockage recommandée	-20° C – 40° C / -4° F – 104° F
Température de charge recommandée	5° C – 40° C / 41° F – 104° F

Accessoires recommandés

NOM DE LA PIÈCE	NUMÉRO DE MODÈLE
Barre de raclage	SSS2000
Palettes en caoutchouc (1 paire)	SRP2000

ASSEMBLAGE

⚠ AVERTISSEMENT Pour empêcher tout démarrage accidentel qui pourrait causer une blessure grave, retirez toujours le bloc-piles de la machine lorsque vous effectuez le montage de pièces, des réglages ou le nettoyage de l'outil – ou lorsque vous n'allez pas vous en servir pendant un certain temps.

⚠ AVERTISSEMENT Si certaines pièces sont endommagées ou manquantes, n'utilisez pas ce produit avant que ces pièces aient été remplacées. L'utilisation de ce produit avec des pièces endommagées ou manquantes pourrait causer des blessures graves.

⚠ AVERTISSEMENT Ne tentez pas de modifier cette machine ou de créer des accessoires qu'il n'est pas recommandé d'utiliser avec cette machine. Une telle altération ou modification constituerait une utilisation abusive et pourrait créer une situation dangereuse avec risque de blessures graves.

Déballage

Ce produit nécessite un assemblage.

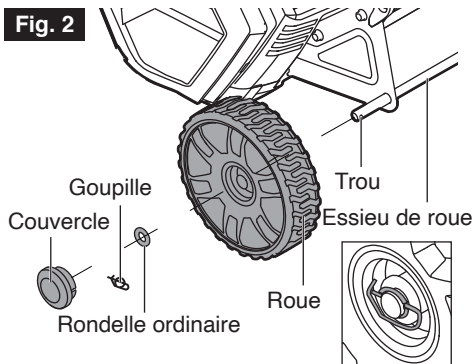
- Retirez le produit et tous les accessoires de la boîte en prenant les précautions nécessaires. Assurez-vous que tous les articles indiqués sur la liste des pièces sont inclus.
- Inspectez attentivement le produit pour vous assurer qu'aucun dommage ou bris de pièce(s) ne s'est produit pendant le transport.
- Ne jetez pas les matériaux d'emballage avant d'avoir inspecté attentivement la machine et de l'avoir mise en marche de façon satisfaisante.
- Si une pièce quelconque est endommagée ou manquante, rappelez le produit dans le magasin où vous l'avez acheté.

Liste des pièces

NOM DE LA PIÈCE	QUANTITÉ
Ensemble de souffleuse à neige	1
Roue, couvercle, jeu de rondelles ordinaires et goupilles	2
Goulotte de décharge, poignée de rotation de la goulotte de décharge à l'avant	1
Boulon long pour la goulotte de décharge	3
Ensemble de cadre de la poignée intermédiaire	1
Jeu de boulons, de rondelles et d'écrous à oreilles	4
Agrafe de câble	1
Mode d'emploi	1

Installation des roues (Fig. 2)

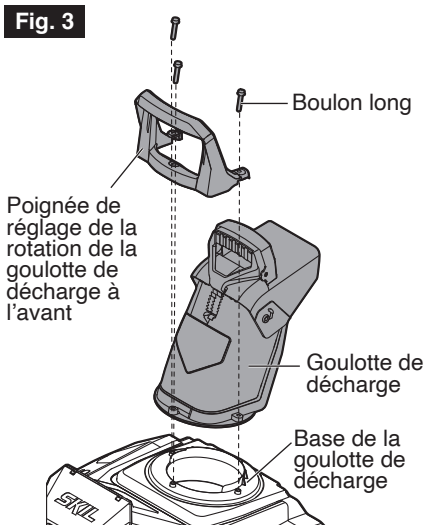
1. Montez l'une des roues et la rondelle ordinaire sur l'essieu de la roue.
2. Insérez la goupille dans le trou de l'essieu de la roue jusqu'à ce qu'elle s'enclenche.
3. Enfoncez le couvercle dans le moyeu de la roue.
4. Suivez les étapes ci-dessus pour installer l'autre roue.



Installation de la goulotte de décharge (Fig. 3)

⚠ AVERTISSEMENT N'utilisez jamais la souffleuse à neige sans que la goulotte de décharge complète ne soit en place.

1. Alignez les trois trous de la goulotte de décharge sur les trois tiges de la base de la goulotte, et poussez la goulotte vers le bas.
2. Alignez les trois trous de la poignée de rotation de la goulotte de décharge à l'avant sur les trous de la goulotte, et placez la poignée sur la goulotte.
3. Utilisez un tournevis à pointe cruciforme (non fourni) pour fixer la goulotte de décharge en place à l'aide de trois longs boulons.



Installation de l'ensemble de cadre de la poignée intermédiaire

1. Tournez la poignée de rotation de la goulotte de décharge à l'avant pour vous assurer que l'ouverture de décharge de la goulotte est orientée vers l'avant (Fig. 4a).
2. Assurez-vous que le siège de support et la poignée de préhension sur l'ensemble de cadre de poignée intermédiaire sont orientés vers le haut, comme illustré à la Fig. 4b.
3. Insérez la tête de la poignée dans la tête du joint universel situé sous le couvercle du compartiment des piles jusqu'à la butée (Fig. 4c).
4. Alignez les deux trous du cadre de la poignée intermédiaire sur les trous du cadre de la poignée inférieure. Insérez deux boulons avec des rondelles dans les trous et attachez l'ensemble de cadre de la poignée intermédiaire au cadre de la poignée inférieure à l'aide des écrous à oreilles comme illustré à la Fig. 4d.

Fig. 4a Poignée de réglage de la rotation de la goulotte de décharge à l'avant

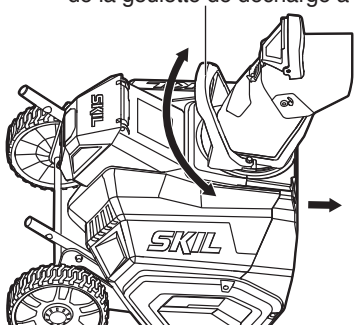


Fig. 4b

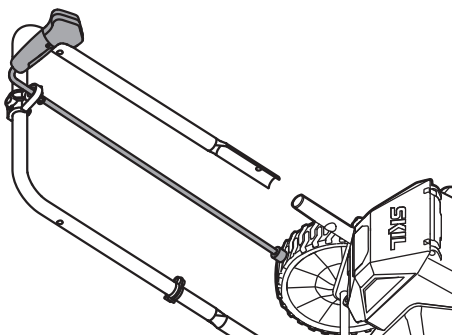


Fig. 4c

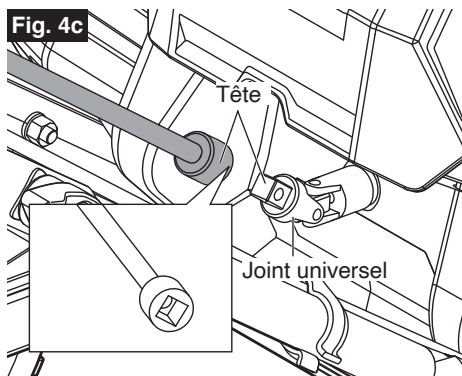
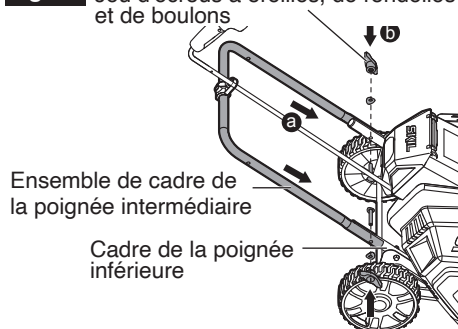
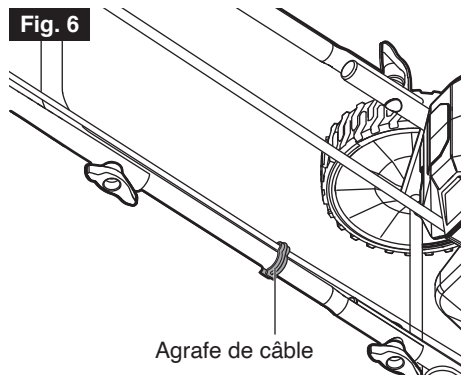
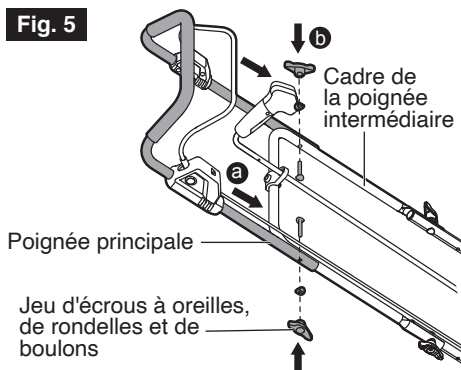


Fig. 4d Jeu d'écrous à oreilles, de rondelles et de boulons



Installation de la poignée intermédiaire

1. Soulevez la poignée principale et alignez les deux trous de la poignée principale sur les trous de l'ensemble de cadre de la poignée intermédiaire, comme illustré à la Fig. 5.
2. Insérez deux boulons avec des rondelles dans les trous et attachez la poignée principale à l'ensemble de cadre de la poignée intermédiaire à l'aide des écrous à oreilles.
3. Attachez le câble à l'ensemble de cadre de la poignée intermédiaire à l'aide de la pince de fixation du câble, comme illustré à la Fig. 6.



Réglage de la goulotte de décharge

La goulotte de décharge peut être réglée pour modifier à la fois la direction de la décharge et la distance de projection de la neige afin de vous aider à retirer la neige d'une zone et à la déposer dans une autre.

La **direction** de la décharge de la neige peut être réglée jusqu'à 180° (Fig. 7a).

1. Tournez la poignée de rotation de la goulotte de décharge à distance ou la poignée de rotation de la goulotte de décharge vers l'avant vers la gauche pour faire tourner la goulotte vers la gauche (dans le sens inverse des aiguilles d'une montre).
2. Tournez la poignée de rotation de la goulotte de décharge à distance ou la poignée de rotation de la goulotte à l'avant vers la droite pour faire tourner la goulotte vers la droite (dans le sens des aiguilles d'une montre).

La **distance de projection** (ou degré d'inclinaison) de la souffleuse à neige est ajustée en déplaçant le déflecteur de la goulotte de décharge vers le haut ou vers le bas (Fig. 7b). Relâchez toujours l'interrupteur à levier avant d'effectuer un réglage du déflecteur de la goulotte de décharge.

1. Pour augmenter la distance de projection de la neige, appuyez sur la gâchette de la poignée du déflecteur de la goulotte de décharge, puis relevez le déflecteur de la goulotte de décharge. Relâchez la gâchette de la poignée du déflecteur de la goulotte de décharge pour verrouiller le déflecteur de la goulotte en place (Fig. 7b).
2. Pour diminuer la distance de projection de la neige, il suffit d'abaisser le déflecteur à l'aide de la poignée du déflecteur de la goulotte.

⚠ AVERTISSEMENT Ne forcez pas la goulotte de décharge si loin vers l'avant qu'un espace apparaitrait entre le déflecteur et la goulotte elle-même. La neige ou d'autres débris pourraient être projetés par l'interstice et revenir sur l'opérateur, ce qui pourrait entraîner des blessures graves.

⚠ AVERTISSEMENT N'effectuez pas de réglage du déflecteur de la goulotte lorsque l'interrupteur à levier est engagé. Relâchez toujours l'interrupteur à levier avant d'effectuer un réglage du déflecteur de la goulotte.

Fig. 7a

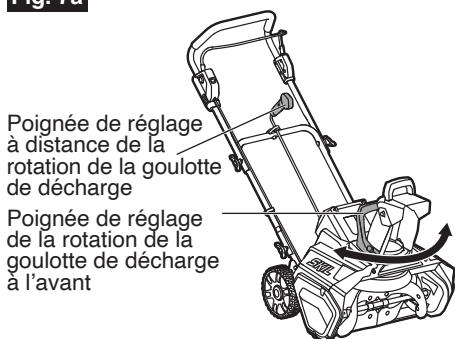
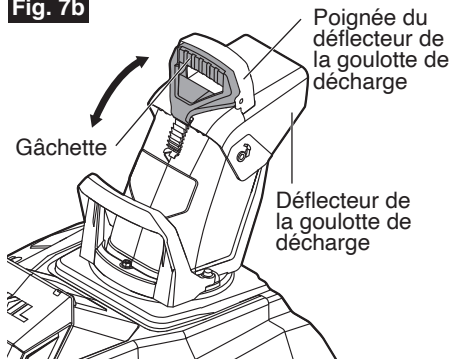


Fig. 7b



INSTRUCTIONS POUR L'UTILISATION

⚠ AVERTISSEMENT Pour réduire les risques d'incendie, de blessures et de dommages au produit dus à un court-circuit, ne plongez jamais votre machine, le bloc-piles ou le chargeur dans un liquide ou ne laissez pas de liquide s'écouler à l'intérieur de ceux-ci. Des liquides corrosifs ou conducteurs tels que l'eau de mer, certains produits chimiques industriels, l'eau de Javel ou des produits contenant de l'eau de Javel, etc. peuvent causer un court-circuit.

⚠ AVERTISSEMENT Si certaines pièces sont endommagées ou manquantes, n'utilisez pas ce produit avant que ces pièces aient été remplacées. L'utilisation de ce produit avec des pièces endommagées ou manquantes pourrait causer des blessures graves.

⚠ AVERTISSEMENT Ne tentez pas de modifier ce produit ou de créer des accessoires qu'il n'est pas recommandé d'utiliser avec ce produit. Une telle altération ou modification constituerait une utilisation abusive et pourrait créer une situation dangereuse avec risque de blessures graves.

⚠ AVERTISSEMENT Pour empêcher tout démarrage accidentel qui pourrait causer une blessure grave, retirez toujours le bloc-piles de ce produit lorsque vous effectuez le montage de pièces, des réglages ou le nettoyage du produit, ou lorsque vous effectuez une opération de maintenance.

Cette souffleuse à neige ne doit être utilisée qu'avec les blocs-piles et les chargeurs indiqués ci-dessous :

BLOC-PILES	CHARGEUR
BY8705-00 - 2.5Ah BY8708-00 - 5.0Ah BY8708C-01 - 4.0Ah BY8723C-00 - 6.0Ah	SC5364-00 SC5376C-00

AVIS : Veuillez vous référer aux modes d'emploi du bloc-piles et du chargeur pour plus d'instructions sur le fonctionnement.

Applications

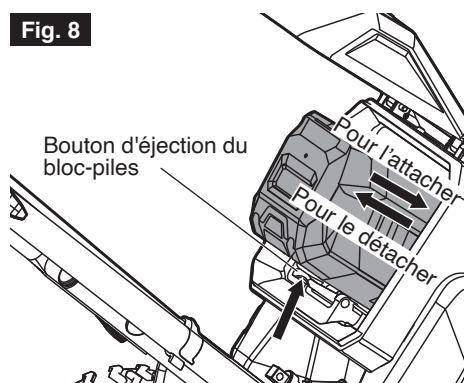
Vous pouvez utiliser ce produit pour faire ce qui suit :

Enlever la neige des zones telles que les allées et les trottoirs.

Pour attacher/détacher le bloc-piles (Fig. 8)

1. Le couvercle du bloc-piles est articulé. Levez le couvercle du compartiment des piles en soulevant le devant du couvercle.
2. Alignez les rainures dans chaque bloc-piles sur les nervures surélevées dans le compartiment des piles de la souffleuse à neige. Puis insérez le bloc-piles dans le compartiment.
3. Enfoncez le bloc-piles jusqu'à ce que vous entendiez un déclic. Le bouton d'éjection des piles rebondira une fois que le bloc-piles aura été attaché de façon sécurisée.

Fig. 8



AVIS : Assurez-vous que le loquet de verrouillage de la souffleuse à neige s'enclenche bien en place et que le bloc-piles est bien assujéti à la souffleuse à neige avant de commencer à l'utiliser.

4. Pour retirer le bloc-piles, appuyez sur le bouton d'éjection des piles pour relâcher le bloc-piles, puis tirez dessus pour le faire sortir du compartiment.
5. Fermez le couvercle du compartiment des piles.

Démarrage/arrêt de la souffleuse à neige

⚠ AVERTISSEMENT Ne tentez pas de changer les paramètres de fonctionnement du bouton de sécurité et de l'interrupteur à levier.

⚠ AVERTISSEMENT Pendant leur fonctionnement, les souffleuses à neige peuvent projeter des corps étrangers dans les yeux de leur utilisateur ou d'autres personnes et leur infliger de graves blessures aux yeux. Portez toujours des lunettes de sécurité lorsque vous utilisez la souffleuse à neige ou pendant que vous réalisez de quelconques réglages ou réparations sur la souffleuse à neige.

⚠ AVERTISSEMENT Assurez-vous que les autres personnes et les animaux de compagnie restent à au moins 30 mètres / 100 pi de la souffleuse à neige pendant qu'elle est en train de fonctionner.

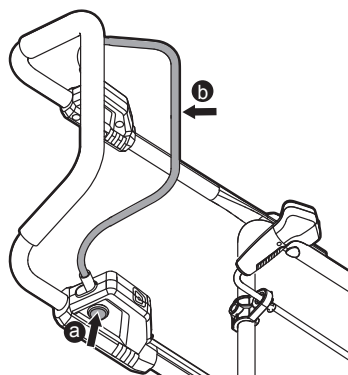
⚠ AVERTISSEMENT La vis sans fin (tarière) continue à tourner pendant quelques secondes après l'arrêt du moteur de la souffleuse à neige. Attendez que la vis sans fin (tarière) cesse de tourner avant de la remettre en marche.

AVIS : Ne mettez pas la souffleuse à neige en marche et à l'arrêt en succession rapide.

Mise en marche de la souffleuse à neige (Fig. 9)

1. Assurez-vous que la poignée principale est bien verrouillée en position dépliée et ouverte.
2. Attachez le bloc-piles à la souffleuse à neige et fermez le couvercle du compartiment des piles.
3. Appuyez sur le bouton de sécurité. Appuyez sur le bouton de sécurité et, tout en maintenant le bouton enfoncé, tirez sur l'interrupteur à levier (vers le haut) pour entrer en contact avec la poignée principale.
4. Une fois que la souffleuse à neige démarrera, relâchez le bouton de sécurité et commencez à travailler.

Fig. 9



AVIS : Pour mettre la machine en marche, il faut d'abord appuyer sur le bouton de sécurité, puis comprimer l'interrupteur à levier. Le mode de fonctionnement en marche arrière ne permet pas de faire démarrer l'outil.

AVIS : La souffleuse à neige peut ne pas démarrer correctement si la température de la pile est inférieure ou égale à -20°C / -4°F . Si la souffleuse à neige ne démarre pas, retirez le bloc-piles de la souffleuse et laissez-la se réchauffer à l'intérieur pendant 10 minutes ou plus. Réinstallez le bloc-piles et réessayez.

Pour arrêter la souffleuse à neige

1. Relâchez complètement l'interrupteur à levier.
2. Le frein électrique du Mécanisme de freinage automatique arrêtera la rotation de la vis sans fin dans les trois secondes suivant le relâchement de l'interrupteur à levier.

Dégagement d'une goulotte de décharge bouchée

⚠ AVERTISSEMENT Le contact des mains avec la vis sans fin en rotation à l'intérieur de la goulotte de décharge est la cause la plus fréquente des blessures associées aux souffleuses à neige. N'utilisez jamais votre main pour dégager la goulotte.

Pour dégager la goulotte de décharge :

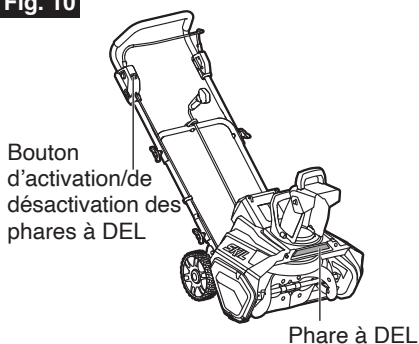
1. Arrêtez la souffleuse à neige !
2. Retirez le ou les bloc-piles de la souffleuse à neige.
3. Attendez 10 secondes pour vous assurer que la vis sans fin a cessé de tourner.
4. Utilisez toujours un outil de nettoyage, comme une tige en bois ou d'autres outils de nettoyage disponibles dans le commerce ; n'utilisez pas votre main.

Phare à DEL (Fig. 10)

Le phare à DEL est situé à l'avant de la souffleuse à neige.

1. Pour allumer la lumière, appuyez sur le bouton de l'interrupteur à DEL. Le phare fournit une lumière vive à l'avant de la souffleuse à neige.
2. Pour éteindre le phare, appuyez à nouveau sur le bouton de l'interrupteur à DEL.

Fig. 10



Conseils d'utilisation

⚠ DANGER N'utilisez jamais une souffleuse à neige sur des rivières ou des lacs gelés, ou sur des surfaces similaires. Des blessures graves ou la mort pourraient survenir si la glace cède.

⚠ DANGER N'utilisez jamais la souffleuse à neige sur un toit ou sur toute autre surface instable, car cela pourrait entraîner des blessures graves ou la mort.

⚠ AVERTISSEMENT N'utilisez pas la souffleuse à neige sur une surface verglacée, car vous pourriez glisser et tomber, ce qui pourrait éventuellement vous causer des blessures graves.

⚠ AVERTISSEMENT Ne portez pas de vêtements amples, de foulard ni de bijoux qui peuvent s'accrocher. Ceux-ci risquent de se prendre dans les pièces mobiles et entraîner des blessures graves ou la mort.

⚠ AVERTISSEMENT Dirigez la projection de la neige loin de tout appareil électrique afin de réduire les risques d'électrocution.

⚠ AVERTISSEMENT Ne dirigez jamais la souffleuse à neige ou la goulotte vers des personnes ou des animaux. De la neige ou d'autres objets projetés peuvent causer des blessures graves.

⚠ AVERTISSEMENT Assurez-vous que la surface à déneiger est exempte de pierres, de branches, de fils, de gravier et d'autres objets qui pourraient être accidentellement projetés par la souffleuse à neige dans n'importe quelle direction et causer de graves blessures à l'opérateur ou à d'autres personnes.

⚠ AVERTISSEMENT Ne mettez jamais les mains dans la goulotte de décharge et ne placez aucune partie du corps devant la souffleuse à neige lorsque la souffleuse est en marche ou quand le bloc-piles est installé. Assurez-vous toujours que toutes les pièces mobiles se sont arrêtées et que le bloc-piles a été retiré avant d'éliminer toute obstruction. Si vous ne tenez pas compte de ces instructions, vous risquez de vous blesser grièvement.

- Si la souffleuse à neige entre en contact avec un type d'obstruction ou un débris quelconque pendant l'utilisation, arrêtez la souffleuse à neige, retirez le bloc-piles, enlevez l'obstruction et inspectez soigneusement l'équipement pour vérifier qu'il n'est pas endommagé avant de continuer à l'utiliser.
- Notez la direction du vent avant de commencer. Dans la mesure du possible, déchargez la neige dans la même direction que le vent pour éviter qu'elle ne soit projetée vers votre visage.
- Certaines parties de la souffleuse à neige peuvent geler dans des conditions météorologiques extrêmes. N'essayez pas de faire fonctionner cet équipement avec des pièces gelées.
- Une fois l'opération terminée, laissez le moteur tourner pendant quelques minutes de plus pour éviter que les pièces mobiles ne gèlent, puis tournez la télécommande ou la poignée de rotation de la goulotte de décharge à l'avant vers la gauche et vers la droite à plusieurs reprises pour libérer la goulotte de décharge de toute accumulation de glace. Veillez à enlever la neige et la glace de la base de la goulotte de décharge.
- Dans des conditions de neige et de froid, certaines commandes et pièces mobiles peuvent geler. N'utilisez pas de force excessive lorsque vous essayez d'actionner les commandes gelées. Si vous avez des difficultés à faire fonctionner une commande ou une pièce, faites démarrer la souffleuse à neige en suivant les instructions du chapitre intitulé « Démarrage/arrêt de la souffleuse à neige » et laissez-la fonctionner pendant quelques minutes.

Protection contre la surcharge de la souffleuse à neige

Pour éviter des conditions de surcharge, n'essayez pas de déblayer trop de neige en une seule fois. Ralentissez votre rythme de déneigement ou réduisez la largeur de déblaiement de la neige.

Votre souffleuse à neige comporte des éléments intégrés de détection de surcharge. Lorsque la souffleuse à neige est surchargée, le moteur diminue sa vitesse automatiquement et vous entendez le volume du moteur décroître. Dans ce cas, ralentissez votre rythme de déneigement ou réduisez la largeur de déblaiement de la neige; la vitesse du moteur reviendra automatiquement à un régime normal. Si ce recours ne résout pas la situation de surcharge, le capteur éteint automatiquement le moteur. Retirez les blocs-piles de la souffleuse à neige. Vérifiez si de la neige ou de la glace est coincée dans la vis sans fin et dans le plateau; utilisez un outil de nettoyage pour la retirer au besoin. Réinstallez les blocs-piles et redémarrez la souffleuse à neige.

Protection contre les surchauffes des blocs-piles

Si la température des blocs-piles dépasse 70 °C (158 °F) pendant le fonctionnement, le circuit de protection contre la surchauffe éteint immédiatement la souffleuse à neige pour éviter que les blocs-piles ne subissent des dommages causés par une surchauffe.

Relâchez l'interrupteur à levier et laissez refroidir les blocs-piles surchauffés jusqu'à ce que la lumière à DEL rouge clignotante sur les blocs-piles devienne verte, puis redémarrez la souffleuse à neige.

Après une surchauffe des blocs-piles, ralentissez votre rythme et réduisez la largeur de déblaiement pour réduire la charge sur les blocs-piles.

MAINTENANCE

⚠ AVERTISSEMENT Pour éviter des blessures graves, retirez toujours le bloc-piles de l'équipement lorsque vous le nettoyez ou quand vous effectuez des travaux de maintenance.

Service après-vente

⚠ AVERTISSEMENT Une maintenance préventive effectuée par une personne non autorisée pourrait entraîner un placement incorrect de fils et de composants internes, ce qui pourrait être très dangereux. Nous recommandons que toutes les opérations de maintenance de cet outil soient effectuées par un centre de service après-vente usine SKIL ou par un centre de service agréé par SKIL.

Maintenance générale

⚠ AVERTISSEMENT Lors de toute réparation, n'utilisez que des pièces de rechange identiques. L'utilisation de toutes autres pièces de rechange pourrait créer un danger ou endommager le produit. Inspectez périodiquement l'intégralité du produit pour vous assurer qu'il n'y a pas de pièces endommagées, manquantes ou desserrées comme des vis, des écrous, des boulons, des capuchons, etc. Serrez à fond tous les dispositifs de fixation et capuchons, et ne vous servez pas de ce produit avant que toutes les pièces manquantes ou endommagées aient été remplacées. Veuillez contacter le service à la clientèle ou un centre de service après-vente agréé pour obtenir de l'assistance.

Nettoyage

Évitez d'utiliser des solvants lorsque vous nettoyez des pièces en plastique. La plupart des plastiques sont susceptibles d'être endommagés par divers types de solvants commerciaux, et ils pourraient l'être si vous les utilisez.

Utilisez un chiffon propre pour retirer les saletés, la poussière, l'huile, la graisse, etc.

⚠ AVERTISSEMENT Ne laissez jamais de liquide de frein, d'essence, de produits à base de pétrole, d'huiles pénétrantes, etc. entrer en contact avec des composants en plastique. Les produits chimiques peuvent endommager, affaiblir ou détruire le plastique, ce qui pourrait causer des blessures graves.

Rangement

Rangez la souffleuse à neige à l'intérieur, à un endroit qui est hors de portée des enfants. Conservez-la à distance des agents corrosifs.

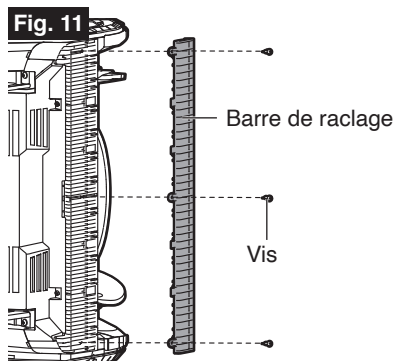
Lubrification de la machine

Tous les roulements de ce produit sont lubrifiés avec une quantité suffisante de lubrifiant de haute qualité pour la durée de vie de la machine si elle est utilisée dans des conditions de fonctionnement normales. Par conséquent, aucune lubrification supplémentaire des roulements n'est nécessaire.

Remplacement de la barre de raclage (Fig. 11)

⚠ AVERTISSEMENT N'oubliez pas de mettre la souffeuse à neige hors tension en relâchant l'interrupteur à levier et de retirer le bloc-piles avant d'effectuer une quelconque tâche de maintenance sur votre souffeuse à neige.

1. La barre de raclage est située au bas de la souffeuse à neige, au-dessous du système de projection à vis sans fin.
2. Utilisez un tournevis à tête cruciforme (non fourni) pour retirer les 3 vis. Détachez la barre de raclage usée de la souffeuse à neige.
3. Attachez la nouvelle barre de raclage et fixez-la solidement à la souffeuse à neige à l'aide des trois vis.

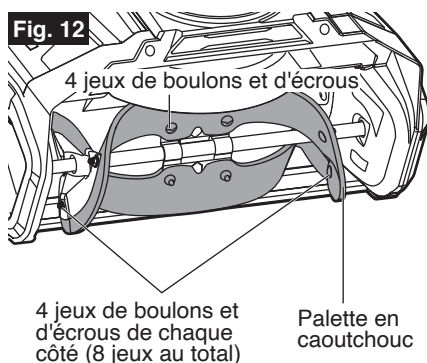


Remplacement des palettes en caoutchouc (Fig. 12)

⚠ AVERTISSEMENT N'oubliez pas de mettre la souffeuse à neige hors tension en relâchant l'interrupteur à levier et de retirer le bloc-piles avant d'effectuer une quelconque tâche de maintenance sur votre souffeuse à neige.

AVIS : Lorsque vous remplacez des palettes en caoutchouc usées, faites attention à l'ordre dans lequel vous les retirez. Montez les nouvelles palettes en caoutchouc dans l'ordre inverse de celui du démontage.

1. Utilisez une clé à douille de 10 mm / 3/8 po (non fournie) et une clé hexagonale de 4 mm / 5/32 po (non fournie) pour retirer les 4 jeux d'écrous et de boulons fixés sur la plaque d'acier centrale, et les 4 jeux d'écrous et de boulons fixés sur la plaque d'acier de chaque côté (8 jeux au total), qui sont utilisés pour sécuriser les palettes en caoutchouc.
2. Retirez les palettes.
3. Installez les nouvelles palettes en caoutchouc dans l'ordre inverse de celui du démontage. Fixez-les en serrant les 4 jeux d'écrous et de boulons de chaque côté (8 jeux au total) et les 4 jeux au milieu.



Rangement de la souffleuse à neige

Fig. 13

⚠ MISE EN GARDE Assurez-vous que toute la neige fondue qui peut tomber de la souffleuse à neige est correctement essuyée pour éviter tout risque de glissade et de chute.

- Retirez le bloc-piles et rangez-le dans un endroit sûr, hors de portée des enfants.

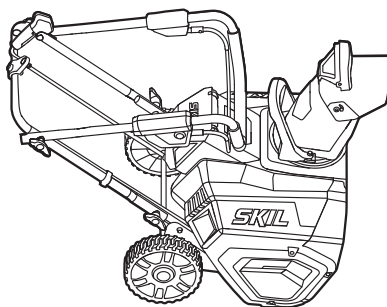
REMARQUE : Quand ils ne sont pas utilisés, le bloc-piles doit être rangé dans un endroit fermé où la température ne descendra pas au-dessous de 0° C / 32° F.

Avant de le ranger, éliminez toutes traces d'humidité, de saletés ou de débris du compartiment des piles et de ses environs.

- Essuyez la souffleuse à neige avec un chiffon propre et sec.
- Vérifiez que le serrage de tous les écrous, boulons, boutons, vis, etc. est adéquat.
- Inspectez les pièces mobiles pour vérifier qu'elles ne sont pas endommagées, cassées ou excessivement usées. Faites réparer ou remplacer les pièces endommagées ou manquantes.

La souffleuse à neige peut être rangée de manière compacte.

1. Desserrez les écrous à oreilles des deux côtés et tournez la poignée principale pour la mettre en position de rangement, comme illustré à la Fig. 13.
 2. Serrez les écrous à oreilles pour sécuriser la poignée principale en place.
- Rangez la souffleuse à neige dans un endroit propre, sec et fermé, hors de portée des enfants.
 - Ne la rangez pas à côté de matériaux corrosifs tels que des engrais ou du sel gemme.



RECHERCHE DE LA CAUSE DES PROBLÈMES

Problème	Cause	Remède
La souffleuse à neige ne démarre pas.	<ol style="list-style-type: none"> 1. Le niveau de charge du bloc-piles est faible. 2. Le bouton de sécurité n'est pas enfoncé. 3. Surcharge du moteur ou surchauffe du bloc-piles – la souffleuse à neige s'est arrêtée de fonctionner afin de protéger les circuits internes. 4. Le bloc-piles est trop froid. 	<ol style="list-style-type: none"> 1. Chargez le bloc-piles. 2. Appuyez sur le bouton de sécurité, puis sur l'interrupteur à levier. 3. Dégagez la neige ou la glace coincée dans la vis sans fin et le châssis. Attendez que la machine/le bloc-piles refroidisse, puis redémarrez la machine. 4. Réchauffez le bloc-piles à la température ambiante, et essayez à nouveau.
Le moteur est en marche, mais la vis sans fin ne tourne pas.	La courroie d'entraînement est usée ou endommagée.	Faites resserrer ou remplacer la courroie d'entraînement par un Centre de service après-vente SKIL agréé.
Après son passage la souffleuse à neige laisse une couche de neige sur le sol.	La barre de raclage est usée.	Remplacez la barre de raclage en suivant les instructions de la section intitulée « Remplacement de la barre de raclage » de ce mode d'emploi.

GARANTIE LIMITÉE DE L'OUTIL SKIL

GARANTIE LIMITÉE DE 5 ANS

Chervon North America, Inc. (le « vendeur ») garantit à l'acheteur initial seulement que tous les OUTILS SKIL destinés à un usage résidentiel seront exempts de défauts de matériaux ou de fabrication pour une période de cinq ans à compter de la date d'achat si l'acheteur initial enregistre l'article dans les 30 jours suivant la date d'achat. LES PILES ET LES CHARGEURS sont garantis pour une période de 2 ans. L'enregistrement de l'article peut être effectué en ligne au www.Registermyskil.com. De plus, nous recommandons aux acheteurs initiaux de conserver leur reçu comme preuve d'achat. LA PÉRIODE DE GARANTIE DE CINQ ANS SUR LES OUTILS EST CONDITIONNELLE À L'ENREGISTREMENT DE L'ARTICLE DANS LES 30 JOURS SUIVANT LA DATE D'ACHAT. Si les acheteurs initiaux n'enregistrent pas leur article dans le délai prévu, la garantie limitée sur les outils électriques susmentionnée ne s'appliquera que pour une période de trois ans. Toutes les piles et tous les chargeurs demeureront couverts par la garantie limitée de deux ans.

Nonobstant les dispositions précédentes, si un outil SKIL destiné à un usage résidentiel est utilisé à des fins industrielles, professionnelles ou commerciales, la garantie susmentionnée ne s'appliquera que pour une période de quatre-vingt-dix (90) jours, que l'article ait été enregistré ou non.

LA SEULE OBLIGATION DU VENDEUR ET VOTRE RECOURS EXCLUSIF au titre de cette garantie limitée et, dans les limites permises par la loi, de toute garantie ou condition prévue par la loi, est la réparation ou le remplacement, sans frais, des pièces qui présentent un défaut matériel ou de fabrication, qui n'ont pas fait l'objet d'un usage abusif ou inapproprié et qui n'ont pas été réparées par des personnes autres que le vendeur ou un technicien d'un centre de service autorisé. Pour effectuer une réclamation au titre de la présente garantie limitée, vous devez retourner, port payé, l'article en entier à un centre de service de l'usine de SKIL ou à un centre de service autorisé. Pour communiquer avec un centre de service autorisé de SKIL Power Tools, veuillez visiter le www.Registermyskil.com ou composer le 1 877 SKIL-999 (1 877 754-5999).

LA PRÉSENTE GARANTIE NE COUVRE PAS LES PIÈCES D'ENTRETIEN COURANT ET LES CONSOMMABLES QUI PEUVENT S'USER À LA SUITE D'UNE UTILISATION NORMALE PENDANT LA PÉRIODE DE GARANTIE, Y COMPRIS LES LAMES, LES TÊTES DE COUPE, LES GUIDE-CHAÎNE, LES CHAÎNES DE COUPE, LES COURROIES, LES RACLEURS ET LES BUSES DE SOUFFLAGE.

TOUTE GARANTIE IMPLICITE APPLICABLE À UN ARTICLE EST LIMITÉE À UNE DURÉE ÉGALE À LA DURÉE DES GARANTIES EXPRESSES APPLICABLES À UN TEL ARTICLE, COMME IL EST INDIQUÉ AU PREMIER PARAGRAPHE DE CETTE GARANTIE. CERTAINS ÉTATS DES ÉTATS-UNIS ET CERTAINES PROVINCES DU CANADA NE PERMETTENT PAS DE LIMITATIONS QUANT À LA DURÉE DES GARANTIES IMPLICITES, DE SORTE QUE LES LIMITATIONS INDIQUÉES CI-DESSUS PEUVENT NE PAS S'APPLIQUER À VOUS.

LA PRÉSENTE GARANTIE NE COUVRE PAS LES DOMMAGES RÉSULTANT D'UNE MODIFICATION, D'UNE TRANSFORMATION OU D'UNE RÉPARATION NON AUTORISÉE.

LE VENDEUR NE SERA EN AUCUN CAS TENU RESPONSABLE DES DOMMAGES ACCESSOIRES OU CONSÉCUTIFS (Y COMPRIS, SANS TOUTEFOIS S'Y LIMITER, DES PERTES DE PROFIT) RÉSULTANT DE LA VENTE OU DE L'USAGE DE CET ARTICLE. CERTAINS ÉTATS DES ÉTATS-UNIS ET CERTAINES PROVINCES DU CANADA NE PERMETTENT PAS L'EXCLUSION OU LA LIMITATION DES DOMMAGES ACCESSOIRES OU CONSÉCUTIFS, DE SORTE QUE LA LIMITATION OU L'EXCLUSION SUSMENTIONNÉE POURRAIT NE PAS S'APPLIQUER À VOUS.

CETTE GARANTIE LIMITÉE VOUS CONFÈRE DES DROITS PRÉCIS. IL EST POSSIBLE QUE VOUS DISPOSIEZ ÉGALEMENT D'AUTRES DROITS, QUI VARIENT D'UN ÉTAT, D'UNE PROVINCE OU D'UN PAYS À L'AUTRE.

CETTE GARANTIE LIMITÉE S'APPLIQUE UNIQUEMENT AUX ARTICLES VENDUS AUX ÉTATS-UNIS D'AMÉRIQUE, AU CANADA ET À L'ÉTAT LIBRE DE PORTO RICO. POUR CONNAÎTRE LA COUVERTURE DE LA GARANTIE DANS D'AUTRES PAYS, VEUILLEZ COMMUNIQUER AVEC VOTRE DÉTAILLANT OU IMPORTATEUR SKIL LOCAL.

© Chervon North America, 1203 E. Warrenville Rd, Naperville, IL 60563.

ÍNDICE

Instrucciones de seguridad importantes	53-55
Símbolos	56-59
Familiarícese con su soplador de nieve	60
Especificaciones	61
Ensamblaje	61-66
Instrucciones de utilización	67-71
Mantenimiento	72-74
Resolución de problemas	75
Garantía Limitada de Herramientas de Consumo SKIL	76

INSTRUCCIONES IMPORTANTES DE SEGURIDAD

⚠ PELIGRO Este soplador de nieve puede amputar extremidades y arrojar objetos. El incumplimiento de las siguientes instrucciones de seguridad podría provocar lesiones graves.

⚠ ADVERTENCIA Cuando utilice artefactos eléctricos, tome siempre precauciones de seguridad básicas para reducir el riesgo de incendios, descargas eléctricas y lesiones personales. Estas precauciones básicas incluyen lo siguiente:

LEA TODAS LAS INSTRUCCIONES ANTES DE UTILIZAR EL PRODUCTO.

RECOMENDACIONES PARA EL USO DE CUALQUIER SOPLADOR DE NIEVE

- No utilice la herramienta en superficies con gravilla.
- Mantenga a los niños alejados: todas las visitas deben mantenerse a una distancia segura del área de trabajo.
- Use ropa adecuada: no use ropa holgada ni joyas. Pueden quedar atrapadas en las piezas móviles.
- Use botas de goma cuando utilice el soplador de nieve.
- Mantenga las manos alejadas de las piezas móviles.
- Mantenga los protectores en su lugar y en buenas condiciones de funcionamiento.
- No fuerce el soplador de nieve: este realizará un trabajo más seguro y de mejor calidad si se usa al ritmo para el que fue diseñado.
- No se extienda demasiado: mantenga una posición y un equilibrio adecuados en todo momento.
- Si el soplador de nieve golpea un objeto extraño, siga estos pasos:
 1. Apague el soplador de nieve. Suelte el interruptor.
 2. Retire el paquete de baterías.
 3. Inspeccione el soplador de nieve en busca de daños.
 4. Repare los daños antes de volver a encender y usar el soplador de nieve.
- Almacene el soplador de nieve en un lugar cerrado: cuando no esté en uso, debe almacenar el soplador de nieve en un espacio interior, seco y cerrado, fuera del alcance de los niños.
- Lleve a cabo el correcto mantenimiento del soplador de nieve: siga todas las instrucciones para lubricar y reemplazar los accesorios.

CAPACITACIÓN

- Lea, comprenda y siga todas las instrucciones que figuran en la máquina y el manual antes de usar la unidad. Familiarícese por completo con los controles y el uso adecuado de este equipo. Sepa cómo detener la unidad y desactivar los controles rápidamente.
- Nunca permita que los niños utilicen el equipo. Nunca permita que adultos usen el equipo sin la instrucción apropiada.
- Mantenga a las personas, especialmente a los niños pequeños, alejadas del área de operación.
- Tenga cuidado y evite resbalarse o caerse, especialmente cuando use el soplador de nieve en reversa.

PREPARACIÓN

- Inspeccione minuciosamente el área donde se utilizará la herramienta y retire los tapetes de entrada, los trineos, las tablas, los cables y cualquier otro objeto extraño que encuentre.
- No use la herramienta si no tiene las prendas de invierno adecuadas. Evite usar ropa holgada, ya que puede quedar atrapada en las piezas móviles. Use un calzado que mejore el apoyo en superficies resbaladizas.

- No intente hacer ningún ajuste mientras el motor esté en funcionamiento (excepto en los casos en los que el fabricante lo recomiende específicamente).
- Cuando use el soplador de nieve o le realice ajustes o reparaciones, use gafas de seguridad o protección ocular para proteger los ojos de objetos extraños que pueden salir despedidos.

FUNCIONAMIENTO

- No ponga las manos ni los pies cerca o debajo de piezas rotatorias. Manténgase alejado de la abertura de descarga en todo momento.
- Tenga mucho cuidado cuando use la herramienta en entradas, aceras o carreteras con gravilla o cuando tenga que cruzar por ellas. Esté alerta a peligros ocultos o el tráfico.
- Si golpea un objeto extraño, apague el motor, retire el paquete de baterías, inspeccione minuciosamente el soplador de nieve para verificar que no esté dañado y repare los daños que puedan haberse producido antes de volver a encender y usar el soplador de nieve.
- Si la unidad comienza a vibrar de manera anormal, detenga el motor y busque la causa de inmediato. Por lo general, la vibración advierte un problema.
- Detenga el motor cuando no esté operando la herramienta, antes de eliminar obstrucciones de la carcasa del ensamble de barrena o el conducto de descarga y cuando lleve a cabo reparaciones, ajustes o inspecciones.
- Si tiene que eliminar obstrucciones del soplador de nieve, repararlo o inspeccionarlo, apague el motor y verifique que el ensamble de barrena y todas las piezas móviles se hayan detenido. Retire el paquete de baterías para evitar que alguien encienda el motor accidentalmente.
- Tenga mucho cuidado cuando use la herramienta en pendientes.
- No use el soplador de nieve a menos que este cuente con las protecciones y los dispositivos de seguridad adecuados y de que estos estén en su lugar y funcionen correctamente.
- No dirija el conducto de descarga hacia áreas donde haya personas u objetos que puedan sufrir daños. Mantenga alejados 30 m (100 pies) a los niños y a otras personas.
- No intente quitar nieve a un ritmo superior al recomendado, ya que puede sobrecargar la capacidad de la herramienta.
- Nunca opere la máquina a altas velocidades de transporte en superficies resbaladizas. Mire hacia atrás y tenga cuidado al manejar en reversa.
- Desactive la alimentación al ensamble de barrena cuando deba transportar el soplador de nieve o cuando no esté en uso.
- Use aditamentos y accesorios aprobados por el fabricante del soplador de nieve (tales como las paletas de caucho y la barra rascadora).
- No use el soplador de nieve si no hay buena visibilidad o iluminación. Asegúrese de contar con una buena superficie de apoyo y sostenga la manija con firmeza. Camine; no corra.
- No incinere el electrodoméstico incluso si está gravemente dañado. Las baterías pueden explotar si se incineran.
- No exponga el paquete de baterías ni la herramienta al fuego o a una temperatura excesiva. La exposición al fuego o a temperaturas por encima de los 130 °C (265 °F) puede causar una explosión.
- Evite un arranque accidental. Asegúrese de que el interruptor esté en la posición de apagado antes de conectar la fuente o la batería, levantar o transportar el electrodoméstico. Transportarlo con el dedo en el interruptor o enchufar electrodomésticos que tienen el interruptor en la posición de encendido aumentan las posibilidades de accidentes.
- Desconecte el paquete de baterías del electrodoméstico antes de realizar cualquier ajuste, cambiar accesorios o almacenarlo. Este tipo de medidas de seguridad preventivas reduce el riesgo de arranques accidentales del electrodoméstico.

- Recargue el paquete de baterías solo con el cargador especificado por el fabricante. Un cargador adecuado para un tipo de paquete de baterías puede crear un riesgo de incendio cuando se usa con otro paquete de baterías.
- Use electrodomésticos solo con paquetes de baterías designados específicamente para ellos. El uso de cualquier otro paquete de baterías puede crear un riesgo de lesión e incendio.
- Cuando el paquete de baterías no está en uso, aléjelo de objetos metálicos, como sujetapapeles, monedas, llaves, clavos, tornillos u otros objetos metálicos pequeños que pudieran crear una conexión entre los terminales. Si conecta los terminales de la batería entre sí, es posible que produzca quemaduras o un incendio.
- En condiciones de maltrato, es posible que salga líquido de la batería. Evite el contacto. Si se produce un contacto accidental, enjuague con agua. Si el líquido entra en contacto con los ojos, solicite atención médica. El líquido que sale de la batería puede provocar irritación o quemaduras.
- No utilice un paquete de baterías ni el electrodoméstico si están dañados o modificados. Las baterías dañadas o modificadas pueden mostrar una conducta impredecible que podría provocar incendios, explosiones o riesgo de lesiones.
- Siga todas las instrucciones de carga y no cargue el paquete de baterías o el electrodoméstico fuera del rango de temperatura especificado en las instrucciones. La carga incorrecta o a temperaturas fuera del rango especificado puede dañar la batería y aumentar el riesgo de incendio.
- Haga reparar el producto por una persona calificada que utilice solo piezas de repuesto idénticas. Esto garantizará que se mantenga la seguridad del producto.
- No modifique ni intente reparar el electrodoméstico ni el paquete de baterías (según corresponda) excepto como se indique en las instrucciones para uso y cuidado.

CÓMO ELIMINAR OBSTRUCCIONES DEL CONDUCTO DE DESCARGA

- Cuando se usan sopladores de nieve, la lesión más frecuente se produce cuando las manos entran en contacto con el ensamble de barrena que está dentro del conducto de descarga. No use las manos para limpiar el conducto de descarga.

Para eliminar obstrucciones del conducto, haga lo siguiente:

¡APAGUE EL MOTOR!

- Espere 10 segundos para asegurarse de que las cuchillas del ensamble de barrena hayan dejado de girar.
- Use un accesorio de limpieza en lugar de las manos.

MANTENIMIENTO Y ALMACENAJE





- Revise los pernos y sujetadores de forma periódica para asegurarse de que el equipo se encuentre en buenas condiciones de funcionamiento.
- Si debe almacenar el soplador de nieve durante un período prolongado, consulte el manual del operador para conocer detalles importantes.
- Conserve o reemplace las etiquetas de seguridad o de instrucciones según sea necesario.
- Después de usar la herramienta, déjela encendida durante algunos minutos para evitar que el ensamble de barrena se congele.
- **GUARDE ESTAS INSTRUCCIONES.** Consúltelas periódicamente y utilícelas para capacitar a otras personas que puedan utilizar esta herramienta. Si presta la herramienta a alguien más, préstele también estas instrucciones para prevenir el mal uso del producto y posibles lesiones.

SÍMBOLOS

Símbolos de seguridad

El objetivo de los símbolos de seguridad es captar su atención ante posibles peligros. Los símbolos de seguridad y las explicaciones que se dan merecen su atención y comprensión cuidadosa. Las advertencias del símbolo no eliminan por sí mismas ningún peligro. Las instrucciones y las advertencias que se dan no son sustitutos de las medidas adecuadas de prevención de accidentes.

⚠ ADVERTENCIA Asegúrese de leer y de comprender todas las instrucciones de seguridad en este manual del propietario, incluidos todos los símbolos de alerta de seguridad como “**PELIGRO**”, “**ADVERTENCIA**” y “**PRECAUCIÓN**” antes de usar esta herramienta. El incumplimiento de las siguientes instrucciones puede provocar descargas eléctricas, incendios y/o lesiones personales graves.

Las definiciones que se ofrecen a continuación describen el nivel de gravedad de cada símbolo. Lea el manual y preste atención a dichos símbolos.	
	Este es el símbolo de advertencia de seguridad. Se utiliza para advertirlo de los peligros de posibles lesiones personales. Cumpla con todos los mensajes de seguridad a continuación de este símbolo para evitar posibles lesiones o consecuencias fatales.
	PELIGRO indica una situación de peligro que, de no evitarse, ocasionará la muerte o lesiones graves.
	ADVERTENCIA indica una situación potencialmente peligrosa que, de no evitarse, puede ocasionar la muerte o lesiones graves.
	PRECAUCIÓN, se usa con el símbolo de advertencia de seguridad e indica una situación peligrosa que, de no evitarse, puede causar lesiones menores o moderadas.

Mensajes de prevención de daños e información

Estos mensajes informan al usuario sobre informaciones y/o instrucciones importantes que, de no seguirse, pueden causar daños al equipo o la propiedad. Antes de cada mensaje, aparece la palabra “AVISO”, como en el ejemplo a continuación:




AVISO: Si no se siguen estas instrucciones se pueden producir daños al equipo o la propiedad.






⚠ ADVERTENCIA Durante el funcionamiento de cualquier herramienta eléctrica, pueden entrar objetos extraños a los ojos y causar graves daños oculares. Use siempre lentes o gafas de seguridad con protecciones laterales y, cuando sea necesario, un protector facial que cubra todo el rostro antes de comenzar a operar una herramienta eléctrica. Recomendamos usar una máscara de seguridad de visión amplia sobre los lentes o las gafas de seguridad estándar con protección lateral. Siempre use lentes de protección que cumplan con la norma ANSI Z87.1.

SÍMBOLOS (CONTINUACIÓN)

IMPORTANTE: algunos de los siguientes símbolos pueden aparecer en sus herramientas. Obsérvelos y conozca su significado. La interpretación correcta de estos símbolos le permitirá utilizar la herramienta de manera eficaz y segura.

Símbolo	Nombre	Designación/Explicación
V	Voltios	Voltaje
A	Amperios	Corriente
Hz	Hertz	Frecuencia (ciclos por segundo)
W	Vatios	Alimentación
kg	Kilogramos	Peso
min	Minutos	Hora
s	Segundos	Hora
Wh	Vatio por horas	Capacidad de la batería
Ah	Amperios por hora	Capacidad de la batería
Ø	Diámetro	Tamaño de las brocas para taladro, piedras de amolar, etc.
n_0	Velocidad sin carga	Velocidad de rotación sin carga
n	Rango de velocidad	Velocidad máxima alcanzable
.../min	Revoluciones o pasadas por minuto	Revoluciones, pasadas, velocidad de superficie, órbitas, etc. por minuto
IPX4	Grado de protección contra la penetración	Protección contra las salpicaduras de agua
➔	Flecha	Acción en la dirección de la flecha
~	Corriente alterna	Tipo o característica de corriente
—	Corriente directa	Tipo o característica de corriente
	Sello de iones de litio de RBRC	Designa el programa de reciclaje de baterías de iones de litio
	Símbolo de lectura del manual	Indica al usuario que lea el manual
	Símbolo de uso de lentes de protección	Siempre use gafas o lentes de seguridad con protecciones laterales y una careta protectora cuando opere este producto

Símbolo	Nombre	Designación/Explicación
	Use guantes protectores	Alerta al usuario para que use protección de las manos.
	PELIGRO: Mantenga las manos alejadas del impulsor	No use las manos para desobstruir el conducto de descarga.
	Mantenga los pies fuera del impulsor	Mantenga los pies alejados del impulsor rotatorio

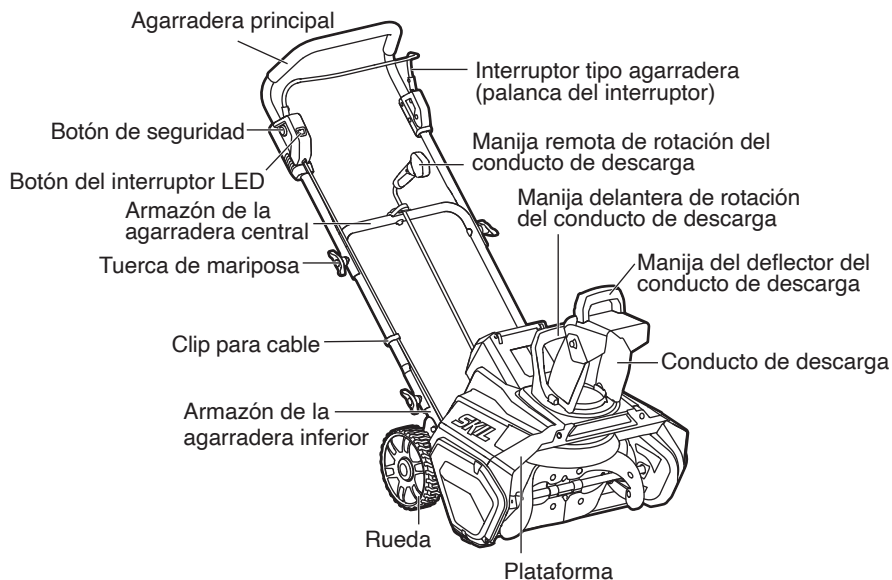
SÍMBOLOS (INFORMACIÓN DE CERTIFICACIÓN)

IMPORTANTE: algunos de los siguientes símbolos de información de certificación pueden aparecer en sus herramientas. Obsérvelos y conozca su significado. La interpretación correcta de estos símbolos le permitirá utilizar la herramienta de manera eficaz y segura.

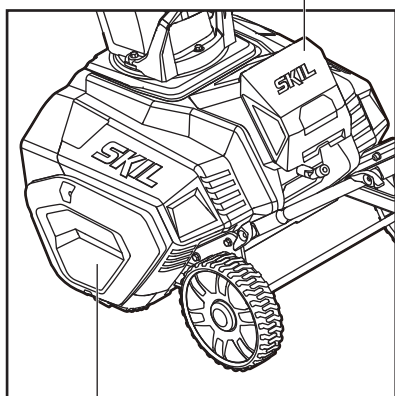
Símbolo	Designación/Explicación
	Este símbolo designa que esta herramienta está incluida en la lista de Underwriters Laboratories.
	Este símbolo designa que esta componente es reconocida por Underwriters Laboratories.
	Este símbolo designa que esta herramienta está incluida en la lista de Underwriters Laboratories, conforme a las normas de Estados Unidos y Canadá.
	Este símbolo designa que esta herramienta está incluida en la lista de Canadian Standards Association.
	Este símbolo designa que esta herramienta está incluida en la lista de Canadian Standards Association, conforme a las normas de Estados Unidos y Canadá.
	Este símbolo designa que esta herramienta está incluida en la lista de Intertek Testing Services, conforme a las normas de Estados Unidos y Canadá.

FAMILIARÍCESE CON SU SOPLADOR DE NIEVE

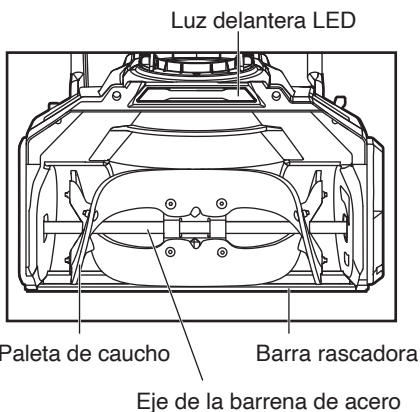
Fig. 1



Cubierta del compartimiento de la batería



Cubierta de la correa de transmisión



ESPECIFICACIONES

Tensión nominal	40 V c.c.
Velocidad sin carga	2000 RPM
Anchura de despeje	20 pulgadas (50,8 cm)
Altura de la entrada	10,5 pulgadas (27 cm)
Distancia de lanzamiento	30 pies (10 m)
Tamaño de la ruedas (diámetro)	8 pulgadas (20,3 cm)
Temperatura de funcionamiento recomendada	- 4 – 50 °F (-20 – 10 °C)
Temperatura de almacenamiento recomendada	- 4 – 104 °F (-20 – 40 °C)
Temperatura de carga recomendada	41 – 104 °F (5 – 40 °C)

Accesorios recomendados

NOMBRE DE LA PIEZA	NÚMERO DE MODELO
Barra rascadora	SSS2000
Paletas de caucho (1 par)	SRP2000

ENSAMBLAJE

⚠ ADVERTENCIA Para prevenir arranques accidentales que podrían causar lesiones corporales graves, retire siempre el paquete de batería de la máquina cuando ensamble piezas, haga ajustes o realice limpieza, o cuando la máquina no se esté utilizando.

⚠ ADVERTENCIA Si alguna de las piezas falta o está dañada, no utilice este producto hasta que las piezas hayan sido reemplazadas. El uso de este producto con piezas dañadas o si le faltan piezas podría tener como resultado lesiones corporales graves.

⚠ ADVERTENCIA No intente modificar esta máquina ni crear accesorios no recomendados para utilizarse con esta máquina. Cualquiera de dichas alteraciones o modificaciones constituye un uso incorrecto y podría provocar una situación peligrosa que cause posibles lesiones graves.

Desempaquetado

Este producto requiere ensamblaje.

- Saque cuidadosamente el producto y todos los accesorios de la caja. Asegúrese de que todos los artículos indicados en la lista de empaquetamiento estén incluidos.
- Inspeccione minuciosamente el producto para asegurarse de que no se hayan producido roturas o daños durante el envío.
- No deseche el material de empaquetamiento hasta que haya inspeccionado minuciosamente y utilizado satisfactoriamente la máquina.
- Si alguna de las piezas está dañada o falta, sírvase devolver el producto al lugar de compra.

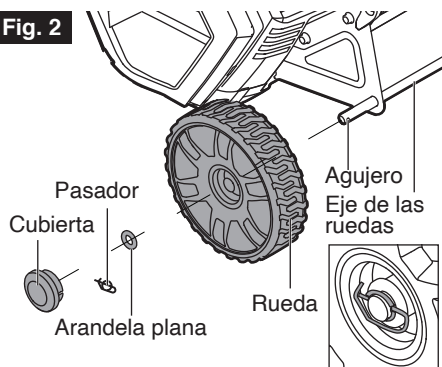
Lista de empaquetamiento

NOMBRE DE LA PIEZA	CANTIDAD
Ensamblaje del soplador de nieve	1
Conjunto de rueda, cubierta, arandela plana y pasador	2
Conjunto de conducto de descarga y manija delantera de rotación del conducto de descarga	1
Perno largo para el conducto de descarga	3
Ensamblaje del armazón de la agarradera central	1
Conjunto de perno, arandela y tuerca de mariposa	4
Clip para cable	1
Manual del propietario	1

Instalación de las ruedas (Fig. 2)

1. Monte una de las ruedas y la arandela plana en el eje de las ruedas.
2. Inserte el pasador a través del agujero ubicado en el eje de las ruedas hasta que se acople a presión en la posición correcta.
3. Empuje la cubierta hacia el interior de la maza de la rueda.
4. Siga los pasos anteriores para instalar la otra rueda.

Fig. 2

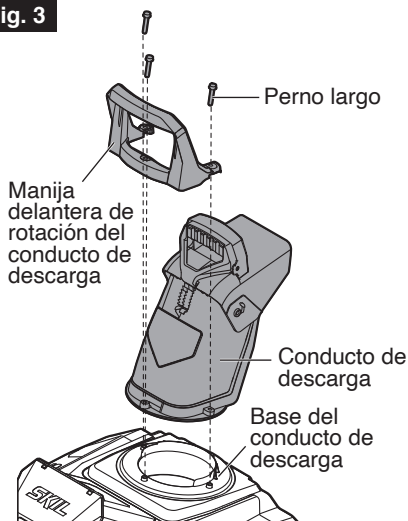


Instalación del conducto de descarga (Fig. 3)

⚠ ADVERTENCIA No utilice nunca el soplador de nieve sin tener el conducto de descarga completo en la posición correcta.

1. Alinee los tres agujeros ubicados en el conducto de descarga con las tres varillas ubicadas en la base del conducto de descarga y empuje hacia abajo el conducto de descarga.
2. Alinee los tres agujeros ubicados en la manija delantera de rotación del conducto de descarga con los agujeros ubicados en el conducto de descarga y coloque la manija sobre el conducto de descarga.
3. Utilice un destornillador Phillips (no incluido) para fijar el conducto de descarga en la posición correcta con tres pernos largos.

Fig. 3



Instalación el ensamblaje del armazón de la agarradera central

1. Rote la manija delantera de rotación del conducto de descarga para asegurarse de que la abertura del conducto de descarga esté orientada directamente hacia delante (Fig. 4a).
2. Asegúrese de que el asiento de soporte y la agarradera ubicados en el ensamblaje del armazón de la agarradera central estén orientados hacia arriba de la manera que se muestra en la Fig. 4b.
3. Inserte la cabeza de la manija sobre la cabeza de la junta universal ubicada debajo de la cubierta del compartimiento de la batería tanto como sea posible (Fig. 4c).
4. Alinee los dos agujeros ubicados en el ensamblaje del armazón de la agarradera central con los agujeros ubicados en el armazón de la agarradera inferior. Inserte dos pernos con arandelas a través de los agujeros y fije el ensamblaje del armazón de la agarradera central al armazón de la agarradera inferior con las tuerca de mariposa de la manera que se muestra en la Fig. 4d.

Fig. 4a Manija delantera de rotación del conducto de descarga

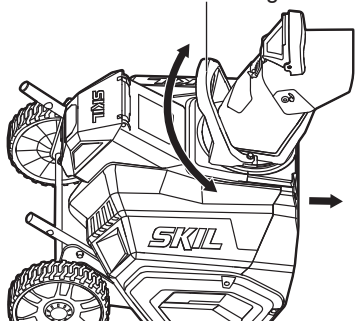


Fig. 4b

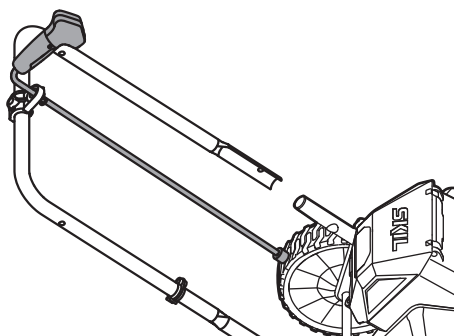


Fig. 4c

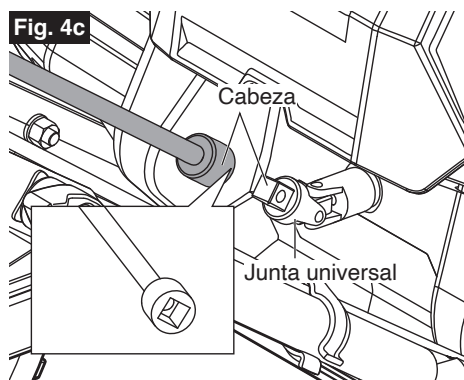
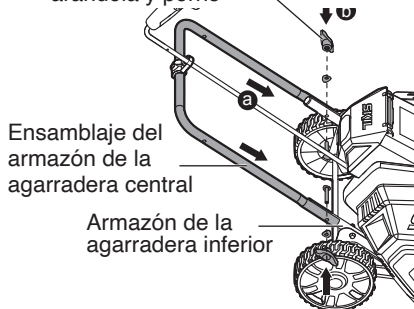


Fig. 4d Conjunto de tuerca de mariposa, arandela y perno



Instalación de la agarradera principal

1. Levante la agarradera principal y alinee los dos agujeros ubicados en la agarradera principal con los agujeros ubicados en el ensamblaje del armazón de la agarradera central de la manera que se muestra en la Fig. 5.
2. Inserte dos pernos con arandelas a través de los agujeros y fije la agarradera principal al ensamblaje del armazón de la agarradera central con las tuercas de mariposa.
3. Fije el cable al ensamblaje del armazón de la agarradera central utilizando el clip para cable de la manera que se muestra en la Fig. 6.

Fig. 5

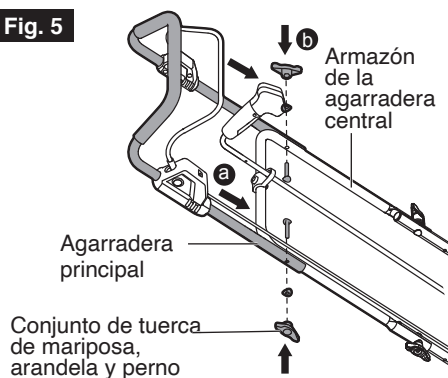
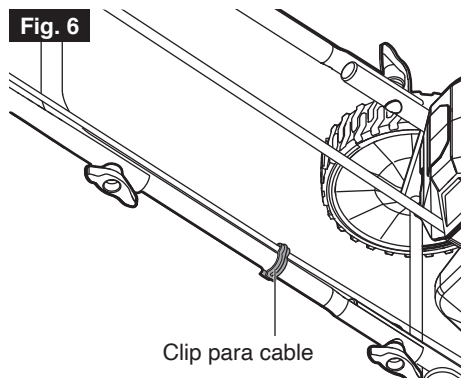


Fig. 6



Ajuste del conducto de descarga

El conducto de descarga se puede ajustar para cambiar tanto la dirección como la inclinación de la nieve descargada con el fin de ayudarle a usted a mover la nieve alejándola de un área y colocándola en otra.

La **dirección** de retirada de la nieve se puede ajustar hasta 180° (Fig. 7a).

1. Gire la manija remota de rotación del conducto de descarga o la manija delantera de rotación del conducto de descarga hacia la izquierda para rotar el conducto de descarga hacia la izquierda (en sentido contrario al de las agujas del reloj).
2. Gire la manija remota de rotación del conducto de descarga o la manija delantera de rotación del conducto de descarga hacia la derecha para rotar el conducto de descarga hacia la derecha (en el sentido de las agujas del reloj).

La **distancia de lanzamiento** (o la inclinación) del soplador de nieve se ajusta moviendo el deflector del conducto de descarga hacia arriba o hacia abajo (Fig. 7b). Suelte el interruptor tipo agarradera antes de ajustar el deflector del conducto de descarga.

1. Para aumentar la distancia a la que se lanza la nieve, apriete el gatillo ubicado en la manija del deflector del conducto de descarga y luego suba el deflector del conducto de descarga. Suelte el gatillo ubicado en la manija del deflector del conducto de descarga para fijar el deflector del conducto de descarga en la posición correcta (Fig. 7b).
2. Para reducir la distancia a la que se lanza la nieve, simplemente baje el deflector con la manija del deflector del conducto de descarga.

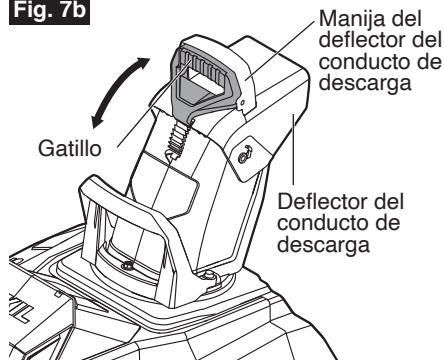
⚠ ADVERTENCIA No fuerce el conducto de descarga tan hacia delante que aparezca un espacio libre entre el deflector y el propio conducto de descarga. La nieve u otros residuos podrían ser lanzados a través del espacio libre y hacia atrás, hacia el operador, y con ello causar lesiones corporales graves.

⚠ ADVERTENCIA No ajuste el deflector del conducto de descarga mientras el interruptor tipo agarradera esté activado. Suelte siempre el interruptor tipo agarradera antes de ajustar el deflector del conducto de descarga.

Fig. 7a



Fig. 7b



INSTRUCCIONES DE UTILIZACIÓN

⚠ ADVERTENCIA Para reducir el riesgo de incendio, lesiones corporales y daños al producto debido a un cortocircuito, no sumerja nunca su máquina, el paquete de batería o el cargador en un líquido ni deje que un líquido fluya en su interior. Los líquidos corrosivos o conductores, tales como agua de mar, ciertas sustancias químicas industriales y el blanqueador o los productos que contienen blanqueador, etc., pueden causar un cortocircuito.

⚠ ADVERTENCIA Si cualquiera de las piezas está dañada o falta, no utilice este producto hasta que las piezas hayan sido reemplazadas. La utilización de este producto con piezas dañadas o si le faltan piezas podría causar lesiones corporales graves.

⚠ ADVERTENCIA No intente modificar este producto ni crear accesorios no recomendados para utilizarse con este producto. Cualquiera de dichas alteraciones o modificaciones constituye un uso incorrecto y podría provocar una situación peligrosa que cause posibles lesiones graves.

⚠ ADVERTENCIA Para prevenir arranques accidentales que podrían causar lesiones corporales graves, retire siempre el paquete de batería del producto cuando ensamble piezas, haga ajustes, realice limpieza o efectúe mantenimiento.

Este soplador de nieve se debe utilizar solo con los paquetes de batería y los cargadores que se indican a continuación:

PAQUETE DE BATERÍA	CARGADOR
BY8705-00 - 2.5Ah BY8708-00 - 5.0Ah BY8708C-01 - 4.0Ah BY8723C-00 - 6.0Ah	SC5364-00 SC5376C-00

AVISO: Sírvase consultar los manuales de la batería y del cargador para obtener información detallada de utilización.

Aplicaciones

Usted puede utilizar este producto para el propósito que se indica a continuación:

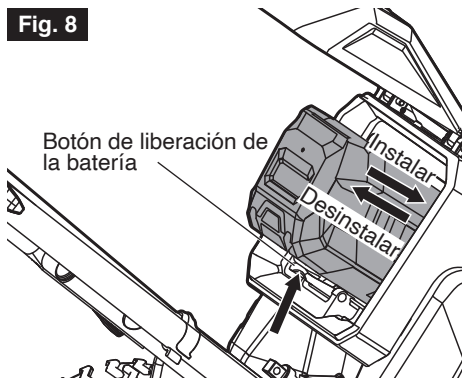
Retirar nieve de áreas tales como entradas de garaje y banquetas de calle.

Instalación/desinstalación del paquete de batería (Fig. 8)

1. La cubierta del paquete de batería está embisagrada. Suba la cubierta del compartimiento de la batería levantando la parte delantera de dicha cubierta.
2. Alinee los surcos ubicados en el paquete de batería con las costillas en relieve ubicadas en el compartimiento de la batería del soplador de nieve. Luego, inserte el paquete de batería en el compartimiento.
3. Empuje el paquete de batería hasta que oiga un “clic”. El botón de liberación de la batería saltará hacia arriba por acción de resorte cuando el paquete de batería esté firmemente sujeto.

AVISO: Asegúrese de que el pestillo ubicado en el soplador se acople a presión en la posición correcta y que el paquete de batería esté firmemente sujeto al soplador de nieve antes de comenzar a utilizarlo.

4. Para desinstalar el paquete de batería, presione el botón de liberación de la batería para liberar el paquete de batería y luego jálalo hacia fuera del compartimiento.
5. Cierre la cubierta del compartimiento de la batería.



Arranque/parada del soplador de nieve

⚠ ADVERTENCIA No intente anular el funcionamiento del botón de seguridad y el interruptor tipo agarradera.

⚠ ADVERTENCIA La utilización de un soplador de nieve puede hacer que se lancen objetos extraños hacia los ojos del operador o de otras personas, lo cual puede dañar gravemente los ojos. Use siempre anteojos de seguridad mientras esté utilizando el soplador de nieve o cuando esté realizando cualquier ajuste o reparación en el soplador de nieve.

⚠ ADVERTENCIA Asegúrese de que otras personas y los animales domésticos permanezcan al menos a 100 pies (30 m) de distancia del soplador de nieve cuando esté en uso.

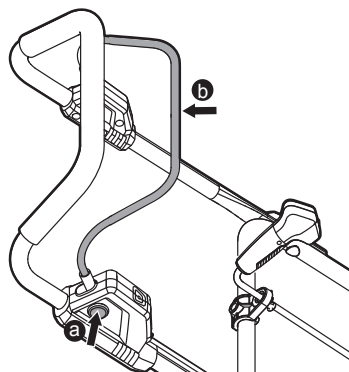
⚠ ADVERTENCIA La barrena continuará rotando durante unos cuantos segundos después de apagar el soplador de nieve. Permita que la barrea deje de rotar antes de arrancarla de nuevo.

AVISO: No encienda y apague rápidamente el soplador de nieve.

Para arrancar el soplador de nieve (Fig. 9)

1. Asegúrese de que la agarradera principal esté firmemente bloqueada en la posición desplegada abierta.
2. Instale el paquete de batería en el soplador de nieve y cierre la cubierta del compartimiento de la batería.
3. Presione el botón de seguridad. Con el botón de seguridad presionado, jale el interruptor tipo agarradera para que se encuentre con la agarradera principal.

Fig. 9



- Una vez que el soplador de nieve haya arrancado, suelte el botón de seguridad y comience a utilizar la máquina.

AVISO: La máquina se arranca presionando primero el botón de seguridad, seguido por apretar el interruptor tipo agarradera. La operación inversa no arrancará la máquina.

AVISO: Es posible que el soplador de nieve no arranque correctamente si la temperatura de la batería es de -4°F (-20°C) o menos. Si la unidad no arranca, retire la batería del soplador de nieve y deje que se caliente en un lugar interior durante 10 minutos o más tiempo. Reinstale la batería e inténtelo de nuevo.

Para detener el soplador de nieve

- Suelte completamente el interruptor tipo agarradera.
- El freno eléctrico del mecanismo de frenado automático detendrá la rotación de la barrena dentro del plazo de 3 segundos después de soltar el interruptor tipo agarradera.

Despeje de un conducto de descarga obstruido

⚠ ADVERTENCIA La entrada en contacto de las manos con la barrena que rota dentro del conducto de descarga es la causa más común de lesiones asociadas con los sopladores de nieve. No use nunca la mano para limpiar el conducto de descarga.

Para despejar el conducto de descarga:

- ¡Apague el soplador de nieve!
- Retire el paquete de batería del soplador de nieve.
- Espere 10 segundos para asegurarse de que la barrena haya dejado de rotar.
- Utilice siempre una herramienta de limpieza, tal como una varilla de madera u otras herramientas de despeje que están disponibles comercialmente; no use la mano.

Luz LED delantera (Fig. 10)

La luz LED delantera está ubicada en la parte delantera del soplador de nieve.

- Para encender la luz, presione el botón del interruptor LED. La luz delantera proporciona una luz brillante delante del soplador de nieve.
- Para apagar la luz delantera, presione de nuevo el interruptor LED.

Fig. 10



Consejos para la operación

⚠ PELIGRO no use el soplador de nieve en lagos o ríos congelados ni superficies similares. Si el hielo se parte, pueden producirse lesiones graves o la muerte.

⚠ PELIGRO Never use the snow blower on a rooftop or other unstable surface, which can result in death or serious personal injury.

⚠ ADVERTENCIA no use el soplador de nieve en superficies con hielo, ya que puede resbalarse, caerse y sufrir lesiones graves.

⚠ ADVERTENCIA no use ropa holgada, bufandas ni joyas. Estas pueden quedar atrapadas en las piezas móviles y provocar lesiones graves o la muerte.

⚠ ADVERTENCIA asegúrese de no descargar nieve en dirección a dispositivos eléctricos, ya que esto puede provocar la electrocución o descargas eléctricas.

⚠ ADVERTENCIA no apunte con el soplador de nieve ni el conducto de descarga a personas o mascotas. La nieve o los objetos que salen despedidos pueden provocar lesiones personales graves.

⚠ ADVERTENCIA asegúrese de que el área de trabajo no tenga piedras, palos, cables, gravilla ni otros objetos que puedan salir despedidos en cualquier dirección y ocasionar lesiones personales graves al operador y a otras personas.

⚠ ADVERTENCIA No ponga nunca las manos dentro del conducto de descarga ni ponga ninguna parte del cuerpo delante del soplador de nieve cuando la unidad esté funcionando o cuando el paquete de batería esté instalado. Asegúrese siempre de que todas las piezas móviles se hayan detenido y que el paquete de batería haya sido retirado antes de despejar cualquier obstrucción. Si no se siguen estas instrucciones, el resultado puede ser lesiones corporales graves.

- Si el soplador de nieve entra en contacto con cualquier tipo de obstrucción o residuo durante su utilización, pare el soplador de nieve, retire el paquete de batería, elimine la obstrucción e inspeccione minuciosamente la unidad para determinar si está dañada antes de seguir adelante.
- Fíjese en la dirección del viento antes de comenzar. Cuando sea posible, descargue la nieve en la misma dirección que el viento para impedir que la nieve le sea lanzada hacia atrás, hacia la cara.
- Algunas piezas del soplador de nieve se pueden congelar en condiciones climáticas extremas. No intente utilizar la unidad con piezas congeladas.
- Cuando haya acabado, deje que el motor funcione durante unos cuantos minutos adicionales para evitar que las piezas móviles se congelen y luego gire la manija remota o delantera de rotación del conducto de descarga hacia la izquierda y hacia la derecha varias veces para liberar el conducto de descarga de cualquier acumulación de hielo. Asegúrese de eliminar toda la nieve y todo el hielo que pueda haber en la base del conducto de descarga.
- En condiciones con nieve y frías, es posible que algunos controles y algunas piezas móviles se congelen. No utilice una fuerza excesiva cuando intente utilizar controles congelados. Si tiene dificultad para utilizar cualquier control o pieza, arranque el soplador de nieve tal y como se indica en la sección "**Arranque/parada del soplador de nieve**" y deje que funcione durante unos minutos.

Protección contra sobrecarga del soplador de nieve

Para prevenir sobrecargas, no intente quitar demasiada nieve de una vez. Disminuya el ritmo o el ancho de soplado.

La sopladora de nieve tiene sensores de sobrecarga integrados. Si la máquina se sobrecarga, el motor reducirá la velocidad de forma automática y notará que el ruido del motor disminuye. Si sucede esto, disminuya el ritmo o el ancho de soplado; pasado cierto tiempo, el motor volverá a trabajar a la velocidad normal. Si esto no soluciona el problema, el sensor apagará el motor de manera automática. Retire el paquete de baterías del soplador. Verifique que no haya nieve ni hielo acumulados en la barrena y la plataforma y, si es necesario, use un accesorio de limpieza para eliminar las obstrucciones. Vuelva a instalar las baterías y encienda el soplador de nieve.

Protección contra temperaturas altas de las baterías

Si la temperatura de las baterías supera los 70 °C (158 °F) mientras está usando la herramienta, el circuito de protección térmica apagará el soplador de nieve de inmediato para que las baterías no sufran daños por sobrecalentamiento.

Extienda el interruptor de agarre y espere hasta que el paquete de baterías se enfríe y la luz LED roja intermitente de las baterías se ponga de color verde; luego, vuelva a encender el soplador de nieve.

Si se activa la protección contra temperaturas altas, disminuya el ritmo y el ancho de soplado para evitar una sobrecarga.

MANTENIMIENTO

⚠ ADVERTENCIA Para evitar lesiones corporales graves, retire siempre el paquete de batería del producto cuando haga limpieza o realice cualquier mantenimiento.

Servicio de ajustes y reparaciones

⚠ ADVERTENCIA Es posible que el mantenimiento preventivo realizado por personal no autorizado tenga como resultado una colocación incorrecta de los cables y componentes internos, lo cual podría causar un peligro grave. Recomendamos que todo el servicio de ajustes y reparaciones de la herramienta sea realizado por un Centro de Servicio de Fábrica SKIL o una Estación de Servicio SKIL Autorizada.

Mantenimiento general

⚠ ADVERTENCIA Cuando haga servicio de ajustes y reparaciones, utilice únicamente piezas de repuesto idénticas. La utilización de cualquier otra pieza podría crear un peligro o causar daños al producto. Inspeccione periódicamente todo el producto para determinar si hay piezas dañadas, si faltan piezas o si hay piezas flojas, tales como tornillos, tuercas, pernos, tapas, etc. Apriete firmemente todos los sujetadores y todas las tapas, y no utilice este producto hasta que todas las piezas que falten o estén dañadas hayan sido reemplazadas. Sírvase contactar a servicio al cliente o a un centro de servicio autorizado para obtener asistencia.

Limpieza

Evite utilizar solventes cuando limpie piezas de plástico. La mayoría de los plásticos son susceptibles de sufrir daños causados por diversos tipos de solventes comerciales y es posible que resulten dañados por su uso.

Use un paño limpio para retirar la suciedad, el polvo, el aceite, la grasa, etc.

⚠ ADVERTENCIA No deje en ningún momento que líquidos de freno, gasolina, productos a base de petróleo, aceites penetrantes, etc., entren en contacto con las piezas de plástico. Las sustancias químicas pueden dañar, debilitar o destruir el plástico, lo cual puede causar lesiones corporales graves.

Almacenamiento

Almacene el soplador de nieve en un lugar interior que sea inaccesible para los niños. Manténgalo alejado de los agentes corrosivos.

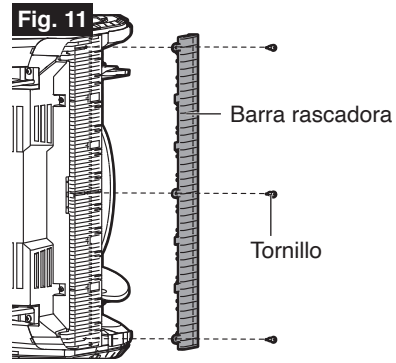
Lubricación de la máquina

Todos los rodamientos de este producto están lubricados con una cantidad de lubricante de alta calidad suficiente para la vida útil de la unidad en condiciones de utilización normales. Por lo tanto, no se requiere lubricación adicional de los rodamientos.

Reemplazo de la barra rascadora (Fig. 11)

⚠ ADVERTENCIA Asegúrese de apagar el soplador de nieve soltando el interruptor tipo agarradera y de retirar el paquete de batería antes de realizar cualquier tarea de mantenimiento en el soplador de nieve.

1. La barra rascadora está ubicada en la parte inferior del soplador de nieve debajo de la barrena.
2. Utilice un destornillador Phillips (no incluido) para retirar los 3 tornillos. Desinstale la barra rascadora desgastada del soplador de nieve.
3. Instale la barra rascadora nueva y sujétela firmemente al soplador de nieve con los tres tornillos.

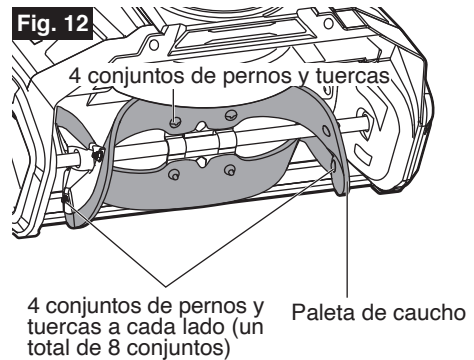


Reemplazo de las paletas de caucho (Fig. 12)

⚠ ADVERTENCIA Asegúrese de apagar el soplador de nieve soltando el interruptor tipo agarradera y de retirar el paquete de batería antes de realizar cualquier tarea de mantenimiento en el soplador de nieve.

AVISO: Cuando reemplace paletas de caucho desgastadas, preste atención especial al orden en que las desinstala. Ensamble las paletas de caucho nuevas en orden inverso al de desmontaje.

1. Utilice una llave de tubo de 3/8 de pulgada (10 mm) (no incluida) y una llave hexagonal de 5/32 de pulgada (4 mm) (no incluida) para retirar los 4 conjuntos de tuercas y pernos que están fijados en la placa de acero central y los 4 conjuntos de tuercas y pernos que están fijados en la placa de acero ubicados a cada lado (un total de 8 conjuntos), que se utilizan para fijar las paletas de caucho.
2. Retire las paletas.
3. Instale las paletas de caucho nuevas en orden inverso al de desmontaje. Fíjelas apretando los 4 conjuntos de tuercas y pernos ubicados a cada lado (un total de 8 conjuntos) y los 4 conjuntos ubicados en el centro.



Almacenamiento del soplador de nieve

Fig. 13

⚠ PRECAUCIÓN Asegúrese de que toda la nieve derretida que pueda gotear del soplador de nieve sea retirada adecuadamente para prevenir un peligro de resbalamiento y caída.

- Retire el paquete de batería y almacénelo en un lugar seguro fuera del alcance de los niños.

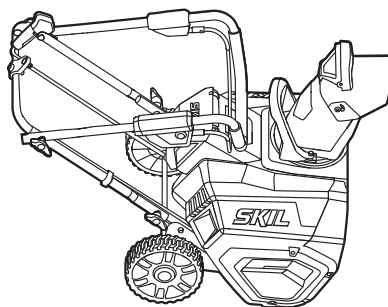
NOTA: Cuando no se esté utilizando, el paquete de batería se deberá almacenar en un área cerrada donde la temperatura no descienda por debajo de 32 °F (0 °C).

Antes de almacenar la unidad, elimine con un paño la humedad, la suciedad o los residuos del área del compartimiento de la batería.

- Limpie el soplador de nieve con un paño limpio y seco.
- Compruebe el apriete de todas las tuercas, pernos, perillas, tornillos, etc.
- Inspeccione las piezas móviles para determinar si tienen daños, roturas y desgaste. Haga que toda pieza dañada o que falte sea reparada o reemplazada.

El soplador de nieve se puede almacenar de manera compacta.

1. Afloje las tuercas de mariposa ubicadas a ambos lados y rote la agarradera principal hasta la posición de almacenamiento de la manera que se muestra en la Fig. 13.
 2. Apriete las tuercas de mariposa para fijar la agarradera principal en la posición correcta.
- Almacene el soplador de nieve en un lugar limpio, seco, cerrado y fuera del alcance de los niños.
 - No almacene la unidad cerca de materiales corrosivos, tales como fertilizante o sal de roca.



RESOLUCIÓN DE PROBLEMAS

Problema	Causa	Remedio
El soplador de nieve no arranca.	<ol style="list-style-type: none"> 1. La carga del paquete de batería está baja. 2. El botón de seguridad no está presionado. 3. Sobrecarga del motor o sobrecalentamiento del paquete de batería. El soplador de nieve ha dejado de funcionar para proteger los circuitos internos. 4. El paquete de batería está demasiado frío. 	<ol style="list-style-type: none"> 1. Cargue el paquete de batería. 2. Presione el botón de seguridad y luego apriete el interruptor tipo agarradera. 3. Elimine la nieve o el hielo pegados en la barrena y la plataforma. Espere a que la máquina / el paquete de batería se enfríen y luego arranque de nuevo la máquina. 4. Caliente el paquete de batería hasta temperatura ambiente y luego inténtelo de nuevo.
El motor está funcionando, pero la barrena no gira.	La correa de transmisión está desgastada o dañada.	Haga que la correa de transmisión sea reemplazada por una Estación de Servicio SKIL Autorizada.
El soplador de nieve deja una capa de nieve en el piso después de pasar.	La barra rascadora está desgastada.	Reemplace la barra rascadora siguiendo la sección " Reemplazo de la barra rascadora " de este manual.

GARANTÍA LIMITADA PARA HERRAMIENTA SKIL

5 AÑO DE GARANTÍA LIMITADA

Chervon North America, Inc. ("Vendedor") garantiza únicamente al comprador original que ninguna HERRAMIENTA SKIL del consumidor presentará defectos en los materiales ni la mano de obra durante un período de cinco años a partir de la fecha de compra si el comprador original registra el producto dentro de los 30 días de realizada la compra. Las BATERÍAS y los CARGADORES tienen una garantía de 2 años. El registro del producto se puede completar en línea en www.Registermyskil.com. Los compradores originales también deben conservar el recibo como comprobante de compra. EL PERÍODO DE GARANTÍA DE CINCO AÑOS PARA HERRAMIENTAS ESTÁ CONDICIONADA POR EL REGISTRO DEL PRODUCTO DENTRO DE LOS 30 DÍAS DE REALIZADA LA COMPRA. Si los compradores originales no registran el producto de manera oportuna, se aplicará la garantía limitada anterior durante tres años para las herramientas eléctricas. Todas las baterías y los cargadores permanecerán bajo la garantía limitada de dos años.

No obstante lo señalado anteriormente, si se usa una herramienta SKIL del consumidor para fines industriales, profesionales o comerciales, se aplicará la garantía anterior durante noventa días, sin considerar el registro.

LA ÚNICA OBLIGACIÓN DEL VENDEDOR Y SU ÚNICA SOLUCIÓN en virtud de esta garantía limitada y, en la medida en que lo permita la ley, cualquier garantía o condición implícita por la ley, será la reparación o el reemplazo, sin cargo, de las piezas que presentan defectos en el material o la mano de obra y que no se hayan usado de manera incorrecta, que no se hayan manejado sin la debida atención o que las hayan reparado personas que no sean el Vendedor o una estación de servicio autorizada. Para exponer un reclamo en virtud de esta garantía limitada, debe devolver el producto completo, con el transporte prepagado, a cualquier centro de servicio de la fábrica SKIL o a cualquier estación de servicio autorizada. Para comunicarse con las estaciones de servicio autorizadas de Skil para reparar su herramienta eléctrica, visite www.Registermyskil.com o llame al 1-877-SKIL-999 (1-877-754-5999).

ESTA GARANTÍA NO CUBRE LAS PIEZAS Y LOS CONSUMIBLES DE MANTENIMIENTO DE RUTINA QUE SE PUEDEN DESGASTAR COMO RESULTADO DEL USO NORMAL DENTRO DEL PERÍODO DE GARANTÍA, LO CUAL INCLUYE HOJAS, CABEZALES DE ORILLADORA, ESPADAS DE MOTOSIERRA, CADENAS DE SIERRA, CORREAS, BARRAS RASCADORAS Y BOQUILLAS DE SOPLADOR.

TODA GARANTÍA IMPLÍCITA APLICABLE A UN PRODUCTO DEBE ESTAR LIMITADA A LA MISMA DURACIÓN QUE LA DURACIÓN DE LAS GARANTÍAS EXPRESAS APLICABLES A DICHO PRODUCTO, SEGÚN SE ESTABLECIÓ EN EL PRIMER PÁRRAFO. ALGUNOS ESTADOS EN ESTADOS UNIDOS Y ALGUNAS PROVINCIAS EN CANADÁ NO PERMITEN LIMITACIONES SOBRE EL TIEMPO DE DURACIÓN DE UNA GARANTÍA IMPLÍCITA, DE MODO QUE LA LIMITACIÓN ANTES DESCRITA PUEDE QUE NO SE APLIQUE A USTED.

ESTA GARANTÍA NO CUBRE LOS DAÑOS RESULTANTES DE UNA MODIFICACIÓN, UNA ALTERACIÓN O UNA REPARACIÓN NO AUTORIZADA.

BAJO NINGUNA CIRCUNSTANCIA, EL VENDEDOR SERÁ RESPONSABLE DE DAÑOS ACCIDENTALES O RESULTANTES (INCLUIDA ENTRE OTRAS, LA RESPONSABILIDAD POR PÉRDIDA DE GANANCIAS) QUE SE ORIGINEN DE LA VENTA O EL USO DE ESTE PRODUCTO. ALGUNOS ESTADOS EN ESTADOS UNIDOS Y ALGUNAS PROVINCIAS EN CANADÁ NO PERMITEN LA EXCLUSIÓN O LIMITACIÓN DE DAÑOS ACCIDENTALES O RESULTANTES, DE MODO QUE LA LIMITACIÓN O EXCLUSIÓN ANTERIOR PUEDE QUE NO SE APLIQUE A USTED.

ESTA GARANTÍA LIMITADA LE OTORGA DERECHOS LEGALES ESPECÍFICOS, Y ES POSIBLE QUE TAMBIÉN TENGA OTROS DERECHOS QUE VARIAN DE UN ESTADO A OTRO EN ESTADOS UNIDOS, DE UNA PROVINCIA A OTRA EN CANADÁ Y DE UN PAÍS A OTRO.

ESTA GARANTÍA LIMITADA SE APLICA SOLAMENTE A PRODUCTOS VENDIDOS EN ESTADOS UNIDOS DE AMÉRICA, CANADÁ Y EL COMMONWEALTH DE PUERTO RICO. PARA TENER UNA COBERTURA DE GARANTÍA EN OTROS PAÍSES, PÓNGASE EN CONTACTO CON SU DISTRIBUIDOR O IMPORTADOR DE SKIL.

© Chervon North America, 1203 E. Warrenville Rd, Naperville, IL 60563.

07/23