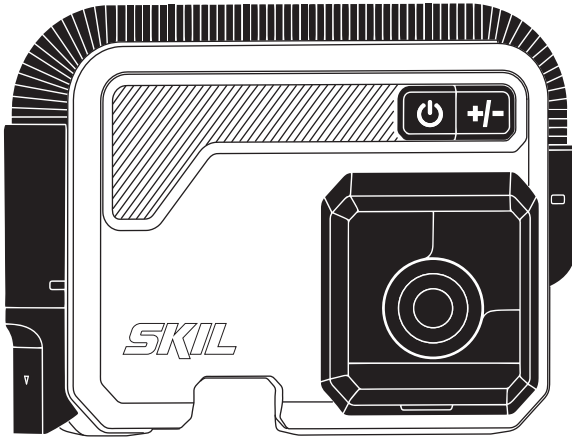




Owner's Manual
Guide d'utilisation
Manual del propietario



Model/ Modèle / Modelo: VA1200D-00

12/20V MULTIVOLT BRUSHLESS SLIM VACUUM

ASPIRATEUR SLIM SANS BALAIS MULTIVOLT 12 / 20 V

ASPIRADORA DELGADA SIN ESCOBILLAS

MULTIVOLTIO 12/20V

▲ WARNING: To reduce the risk of injury, the user must read and understand the Owner's Manual before using this product. Save these instructions for future reference.

▲ AVERTISSEMENT : Afin de réduire les risques de blessure, l'utilisateur doit lire et comprendre le guide d'utilisation avant d'utiliser cet article. Conservez le présent guide afin de pouvoir le consulter ultérieurement.

▲ ADVERTENCIA : Para reducir el riesgo de lesiones, el usuario debe leer y comprender el Manual del operador antes de utilizar este producto. Guarde estas instrucciones para consultarlas en caso sea necesario.







For Customer Service
Pour le service à la clientèle
Servicio al cliente

1-877-SKIL-999 OR www.skil.com

SAFETY SYMBOLS

The purpose of safety symbols is to attract your attention to possible dangers. The safety symbols and the explanations with them deserve your careful attention and understanding. The symbol warnings do not, by themselves, eliminate any danger. The instructions and warnings they give are no substitutes for proper accident prevention measures.

⚠ WARNING Be sure to read and understand all safety instructions in this Owner's Manual, including all safety alert symbols such as "**DANGER**," "**WARNING**," and "**CAUTION**" before using this machine. Failure to following all instructions listed below may result in electric shock, fire, and/or serious personal injury.

The definitions below describe the level of severity for each signal word. Please read the manual and pay attention to these symbols.	
	This is the safety alert symbol. It is used to alert you to potential personal injury hazards. Obey all safety messages that follow this symbol to avoid possible injury or death.
	DANGER indicates a hazardous situation which, if not avoided, will result in death or serious injury.
	WARNING indicates a hazardous situation which, if not avoided, could result in death or serious injury.
	CAUTION, used with the safety alert symbol, indicates a hazardous situation which, if not avoided, will result in minor or moderate injury.

Damage Prevention and Information Messages

These inform the user of important information and/or instructions that could lead to equipment or other property damage if they are not followed. Each message is preceded by the word "**NOTICE**", as in the example below:

NOTICE Equipment and/or property damage may result if these instructions are not followed.



⚠ WARNING The operation of any power tools can result in foreign objects being thrown into your eyes, which can result in severe eye damage. Before beginning power tool operation, always wear safety goggles or safety glasses with side shields and a full face shield when needed. We recommend a Wide Vision Safety Mask for use over eyeglasses or standard safety glasses with side shields. Always use eye protection which is marked to comply with ANSI Z87.1.

TABLE OF CONTENTS

General Machine Safety Warning.....	4-6
Important Safety Instructions.....	6-7
Symbols.....	8-10
Get to Know Your Slim Vacuum.....	11
Specifications.....	12
Operating Instructions.....	13-17
Maintenance.....	18
Troubleshooting.....	19
Limited Warranty of SKIL Consumer Tools.....	20

⚠ WARNING Drilling, sawing, sanding or machining wood products can expose you to wood dust, a substance known to the State of California to cause cancer. Avoid inhaling wood dust or use a dust mask or other safeguards for personal protection. For more information go to www.P65Warning.ca.gov/wood.

⚠ WARNING Some dust created by power sanding, sawing, grinding, drilling and other construction activities contain chemicals known to the State of California to cause cancer, birth defects or other reproductive harm. Some examples of these chemicals are:

- Lead from lead-based paints.
- Crystalline silica from bricks, cement, and other masonry products.
- Arsenic and chromium from chemically-treated lumber.

Your risk from these exposures varies, depending upon how often you do this type of work. To reduce your exposure to these chemicals:

- Work in a well-ventilated area.
- Work with approved safety equipment, such as dust masks that are specially designed to filter out microscopic particles.
- Avoid prolonged contact with dust from power sanding, sawing, grinding, drilling, and other construction activities. Wear protective clothing and wash exposed areas with soap and water. Allowing dust to get into your mouth or eyes or to lie on the skin may promote absorption of harmful chemicals.

GENERAL MACHINE SAFETY WARNINGS



Read all safety warnings, instructions, illustrations and specifications provided with this machine. Failure to follow all instructions listed below may result in electric shock, fire and/or serious injury.

SAVE ALL WARNINGS AND INSTRUCTIONS FOR FUTURE REFERENCE.

The term “machine” in the warnings refers to your mains-operated (corded) machine or battery-operated (cordless) machine.

Work area safety

Keep work area clean and well lit. Cluttered or dark areas invite accidents.

Do not operate machines in explosive atmospheres, such as in the presence of flammable liquids, gases or dust. Machines create sparks which may ignite the dust or fumes.

Keep children and bystanders away while operating a machine. Distractions can cause you to lose control.

Electrical safety

Machine plugs must match the outlet. Never modify the plug in any way. Do not use any adapter plugs with earthed (grounded) machines. Unmodified plugs and matching outlets will reduce risk of electric shock.

Avoid body contact with earthed or grounded surfaces, such as pipes, radiators, ranges and refrigerators. There is an increased risk of electric shock if your body is earthed or grounded.

Do not expose machines to rain or wet conditions. Water entering a machine will increase the risk of electric shock.

Do not abuse the cord. Never use the cord for carrying, pulling or unplugging the machine. Keep cord away from heat, oil, sharp edges or moving parts. Damaged or entangled cords increase the risk of electric shock.

When operating a machine outdoors, use an extension cord suitable for outdoor use. Use of a cord suitable for outdoor use reduces the risk of electric shock.

If operating a machine in a damp location is unavoidable, use a ground fault circuit interrupter (GFCI) protected supply. Use of a GFCI reduces the risk of electric shock.

Personal safety

Stay alert, watch what you are doing and use common sense when operating a machine. Do not use a machine while you are tired or under the influence of drugs, alcohol or medication. A moment of inattention while operating machines may result in serious personal injury.

Use personal protective equipment. Always wear eye protection. Protective equipment such as a dust mask, non-skid safety shoes, hard hat or hearing protection used for appropriate conditions will reduce personal injuries.

Prevent unintentional starting. Ensure the switch is in the off-position before connecting to power source and/or battery pack, picking up or carrying the machine. Carrying machines with your finger on the switch or energizing machines that have the switch on invites accidents.

Remove any adjusting key or wrench before turning the machine on. A wrench or a key left attached to a rotating part of the machine may result in personal injury.

Do not overreach. Keep proper footing and balance at all times. This enables better control of the machine in unexpected situations.

Dress properly. Do not wear loose clothing or jewelry. Keep your hair, clothing and gloves away from moving parts. Loose clothes, jewelry or long hair can be caught in moving parts.

If devices are provided for the connection of dust extraction and collection facilities, ensure these are connected and properly used. Use of dust collection can reduce dust-related hazards.

Do not let familiarity gained from frequent use of machines allow you to become complacent and ignore machine safety principles. A careless action can cause severe injury within a fraction of a second.

Machine use and care

Do not force the machine. Use the correct machine for your application. The correct machine will do the job better and safer at the rate for which it was designed.

Do not use the machine if the switch does not turn it on and off. Any machine that cannot be controlled with the switch is dangerous and must be repaired.

Disconnect the plug from the power source and/or remove the battery pack, if detachable, from the machine before making any adjustments, changing accessories, or storing machines. Such preventive safety measures reduce the risk of starting the machine accidentally.

Store idle machines out of the reach of children and do not allow persons unfamiliar with the machine or these instructions to operate the machine. Machines are dangerous in the hands of untrained users.

Maintain machines and accessories. Check for misalignment or binding of moving parts, breakage of parts and any other condition that may affect the machine's operation. If damaged, have the machine repaired before use. Many accidents are caused by poorly maintained machines.

Keep cutting machines sharp and clean. Properly maintained cutting machines with sharp cutting edges are less likely to bind and are easier to control.

Use the machine, accessories and machine bits etc. in accordance with these instructions, taking into account the working conditions and the work to be performed. Use of the machine for operations different from those intended could result in a hazardous situation.

Keep handles and grasping surfaces dry, clean and free from oil and grease. Slippery handles and grasping surfaces do not allow for safe handling and control of the machine in unexpected situations.

Battery machine use and care

Recharge only with the charger specified by the manufacturer. A charger that is suitable for one type of battery pack may create a risk of fire when used with another battery pack.

Use machines only with specifically designated battery packs. Use of any other battery packs may create a risk of injury and fire.

When battery pack is not in use, keep it away from other metal objects, like paper clips, coins, keys, nails, screws or other small metal objects, that can make a connection from one terminal to another. Shorting the battery terminals together may cause burns or a fire.

Under abusive conditions, liquid may be ejected from the battery; avoid contact. If contact accidentally occurs, flush with water. If liquid contacts eyes, additionally seek medical help. Liquid ejected from the battery may cause irritation or burns.

Do not use a battery pack or machine that is damaged or modified. Damaged or modified batteries may exhibit unpredictable behavior resulting in fire, explosion or risk of injury.

Do not expose a battery pack or machine to fire or excessive temperature. Exposure to fire or temperature above 265 °F (130 °C) may cause explosion.

Follow all charging instructions and do not charge the battery pack or machine outside the temperature range specified in the instructions. Charging improperly or at temperatures outside the specified range may damage the battery and increase the risk of fire.

Service

Have your machine serviced by a qualified repair person using only identical replacement parts. This will ensure that the safety of the machine is maintained.

Never service damaged battery packs. Service of battery packs should only be performed by the manufacturer or authorized service providers.

IMPORTANT SAFETY INSTRUCTIONS

When using an electrical appliance, basic precautions should always be followed, including the following:

READ ALL INSTRUCTIONS BEFORE USING (THIS APPLIANCE)

To reduce the risk of fire, electric shock, or injury:

Do not use to vacuum hazardous or toxic substances or dusts, e.g., asbestos. The filter is not able to capture all hazardous particles, which may cause health hazards.

To reduce the risk of electric shock - Do not expose to rain. Store indoors.

For household use only.

Do not allow the machine to be used as a toy. Close attention is necessary when used by or near children.

Use only as described in this manual. Use only manufacturer's recommended attachments.

Do not put any object into any openings. Do not use with any opening blocked; keep openings free of dust, lint, hair, and anything that may reduce air flow.

Keep hair, loose clothing, fingers, and all parts of body away from openings and moving parts. Loose clothes, jewelry, or long hair can be drawn into air vents.

Use extra care when cleaning on stairs.

Do not handle the charger, including charger plug, or charger terminals with wet hands.

Do not charge the battery pack outdoors.

Use only the charger supplied by the manufacturer to recharge.

Do not incinerate the machine even if it is severely damaged. The batteries can explode in a fire.

Do not leave the machine unattended when the battery is inserted. Remove the battery when the machine is not in use and before servicing.

Keep the machine and its handle dry, clean and free from oil and grease. Always use a clean cloth when cleaning. Never use brake fluids, gasoline, petroleum-based products, or any strong solvents to clean your blower. Following this rule will reduce the risk of loss of control and deterioration of the enclosure plastic.

Use safety equipment. Always wear eye protection with side shields marked to comply with ANSI Z87.1 along with hearing protection when operating this equipment. Everyday glasses have only impact resistant lenses. They are NOT safety glasses. Following this rule will reduce the risk of eye injury.

Protect your lungs. Wear a face or dust mask if the operation is dusty. Following this rule will reduce the risk of serious personal injury.

Protect your hearing. Wear hearing protection during extended periods of operation. Following this rule will reduce the risk of serious personal injury.

Batteries can explode in the presence of a source of ignition, such as a pilot light. To reduce the risk of serious personal injury, never use any cordless product in the presence of open flame. An exploded battery can propel debris and chemicals. If exposed, flush with water immediately.

Do not use without dust bag and / or filters in place.









Do not use to pick up flammable or combustible liquids such as gasoline or use in areas where they may be present.



To reduce the risk of health hazards from vapors or dust, never vacuum chemicals, fertilizers, or any other toxic substances.

Save these instructions. Refer to them frequently and use them to instruct others who may use this machine. If you loan this machine to someone else, also loan these instructions to them to prevent misuse of the product and possible injury.

SYMBOLS








IMPORTANT: Some of the following symbols may be used on your tool. Please study them and learn their meaning. Proper interpretation of these symbols will allow you to operate the tool better and more safely.

Symbol	Name	Designation/Explanation
V	Volts	Voltage (potential)
A	Amperes	Current
Hz	Hertz	Frequency (cycles per second)
W	Watt	Power
kg	Kilograms	Weight
min	Minutes	Time
s	Seconds	Time
Wh	Watt-hours	Battery capacity
Ah	Ampere-Hours	Battery capacity
∅	Diameter	Size of drill bits, grinding wheels, etc.
n_0	No load speed	Rotational speed, at no load
n	Rated speed	Maximum attainable speed
.../min	Revolutions or reciprocation per minute	Revolutions, strokes, surface speed, orbits, etc. per minute
0	Off position	Zero speed, zero torque...
1,2,3,... I,II,III,	Selector settings	Speed, torque or position settings. Higher number means greater speed
	Infinitely variable selector with off	Speed is increasing from 0 setting
	Arrow	Action in the direction of arrow
	Alternating current	Type or a characteristic of current
	Direct current	Type or a characteristic of current
	Alternating or direct current	Type or a characteristic of current
	Class II tool	Designates Double Insulated Construction tools.
	Earthing terminal	Grounding terminal
	Li-ion RBRC seal	Designates Li-ion battery recycling program

Symbol	Name	Designation/Explanation
	Read manual symbol	Alerts user to read manual
	Wear eye protection symbol	Alerts user to wear eye protection

SYMBOLS (CERTIFICATION INFORMATION)

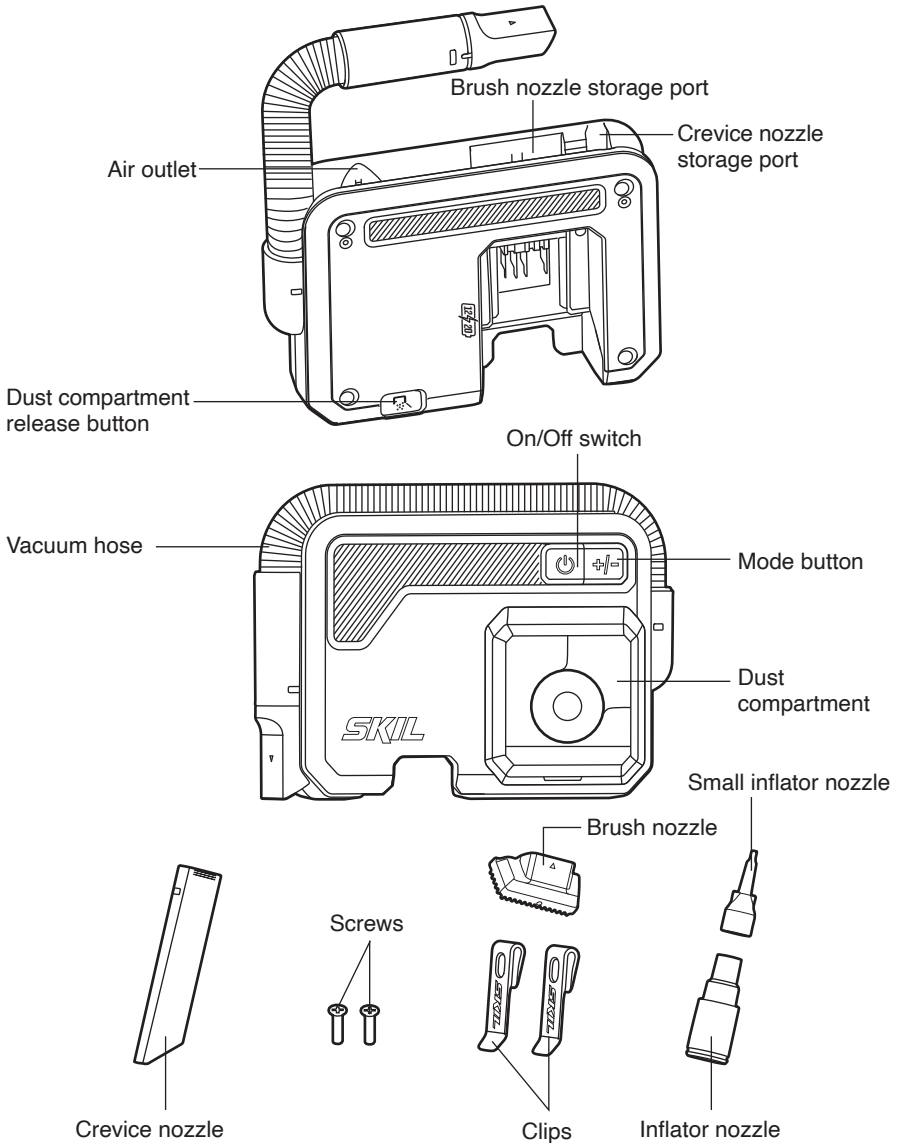
IMPORTANT: Some of the following symbols for certification information may be used on your tool. Please study them and learn their meaning. Proper interpretation of these symbols will allow you to operate the tool better and more safely.

Symbol	Designation/Explanation
	This symbol designates that this tool is listed by Underwriters Laboratories.
	This symbol designates that this component is recognized by Underwriters Laboratories.
	This symbol designates that this tool is listed by Underwriters Laboratories, to United States and Canadian Standards.
	This symbol designates that this tool is listed by the Canadian Standards Association.
	This symbol designates that this tool is listed by the Canadian Standards Association, to United States and Canadian Standards.
	This symbol designates that this tool is listed by the Intertek Testing Services, to United States and Canadian Standards.
	This symbol designates that this machine is listed by the SGS Testing Services, to United States and Canadian Standards.

GET TO KNOW YOUR SLIM VACUUM

12/20V Multivolt Brushless Slim Vacuum

Fig. 1



SPECIFICATIONS

Rated Voltage	12V d.c. / 20V d.c.
Motor Speed	100,000 RPM
Dust Container Volume	0.05 Gal (0.2 L)
Maximum Flow Rate	17 CFM (500 L/min)
Maximum Suction Power	15 kPa
Maximum Air Power	30 W
Recommended Operating Temperature	23 – 104 °F (-5 – 40 °C)
Recommended Storage Temperature	32 – 104 °F (0 – 40 °C)

OPERATING INSTRUCTIONS

⚠ WARNING To reduce the risk of fire, personal injury, and product damage due to a short circuit, never immerse your machine, battery pack, or charger in fluid or allow a fluid to flow inside them. Corrosive or conductive fluids, such as seawater, certain industrial chemicals, and bleach or bleach-containing products, etc., can cause a short circuit.

⚠ WARNING If any parts are damaged or missing, do not operate this product until the parts are replaced. Use of this product with damaged or missing parts could result in serious personal injury.

⚠ WARNING Do not attempt to modify this machine or create accessories not recommended for use with this machine. Any such alteration or modification is misuse and could result in a hazardous condition leading to possible serious injury.

⚠ WARNING To prevent accidental starting that could cause serious personal injury, always remove the battery pack from the machine when assembling parts, making adjustments, cleaning, or when not in use.

⚠ WARNING Do not allow familiarity with this product to make you careless. Remember that a careless fraction of a second is sufficient to inflict serious injury.

This slim vacuum must be used only with the battery packs and chargers listed below:

Battery pack		Charger
12V	SKIL BY500101 (2Ah) SKIL BY519901 (2Ah) SKIL BY5020A-00 (2Ah) SKIL BY519801 (4Ah) SKIL BY5040A-00 (4Ah)	SKIL QC535701 SKIL SC536501
20V	SKIL BY519701 (2Ah) SKIL BY519702 (2Ah) SKIL BY5100B-00 (2Ah) SKIL BY519703 (2.5Ah) SKIL BY519601 (4Ah) SKIL BY5140B-00 (4Ah) SKIL BY519603 (5Ah)	SKIL SC535801 SKIL QC536001 SKIL QC5359B-02 SKIL SC5358B-02 SKIL SC0030B-00

NOTICE Please refer to the battery pack and charger manuals for detailed operating and safety instructions.

Attaching/Detaching Battery Pack (Fig. 2)

Fig. 2

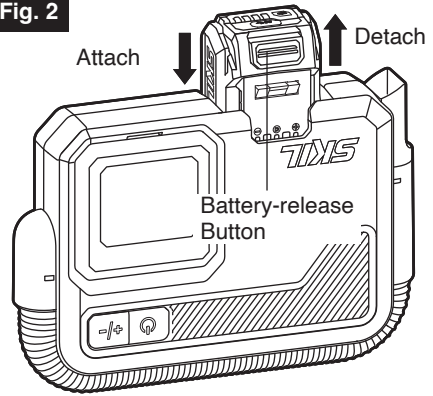
To attach the battery pack:

Align the raised rib on the batter pack with the grooves in the battery compartment, and then slide the battery pack into the battery compartment.

NOTICE When attaching the battery pack, be sure that the raised rib on the battery pack aligns with the groove inside the battery compartment and that the latches snap into place properly. Improper attachment of the battery pack can cause damage to internal components.

To detach the battery pack:

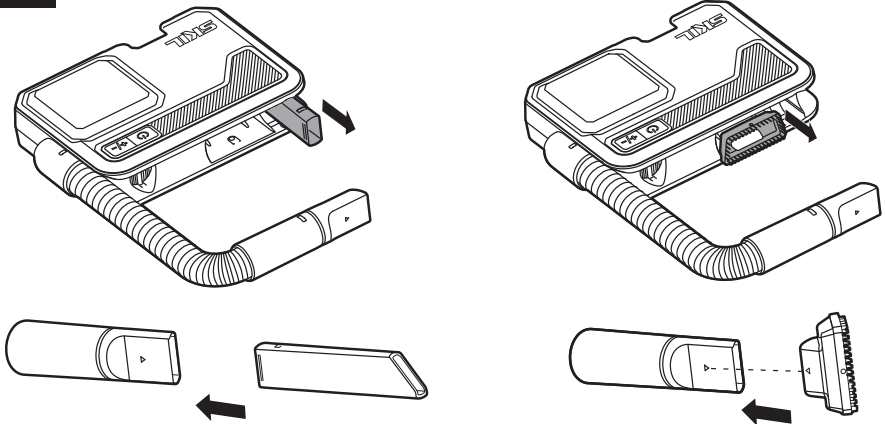
Depress the battery-release button located on the front of the battery pack to release the battery pack. Pull the battery pack out and remove it from the vacuum.



Installing the Brush/Crevise Nozzle (Fig. 3)

Remove the desired nozzle from its storage port and connect it to the end of the vacuum hose by pushing it into place.

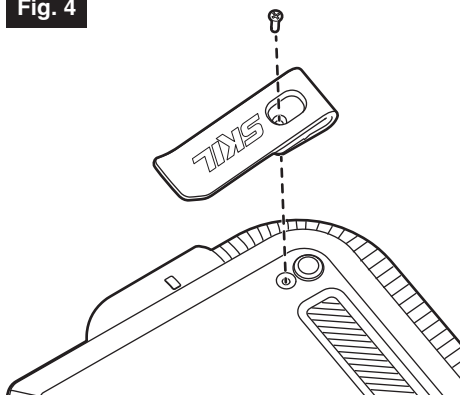
Fig. 3



Installing the Clips (Fig. 4)

- Align the hole in one of the two clips with the threaded hole on the back of the vacuum.
- Insert the screw and securely tighten the screw with a Phillips head screwdriver (not included).
- Repeat these steps with the other clip.

Fig. 4



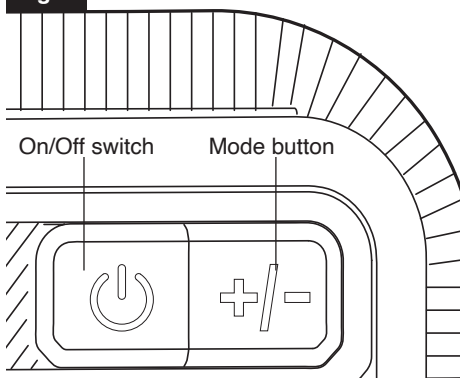
To Start/Stop the Vacuum (Fig. 5)

Press the on/off switch to start the vacuum. When the switch is pressed for first time, the vacuum will operate at high speed.

Press the mode button to switch the vacuum between high speed and low speed modes.

Press the on/off switch again, to turn the vacuum off.

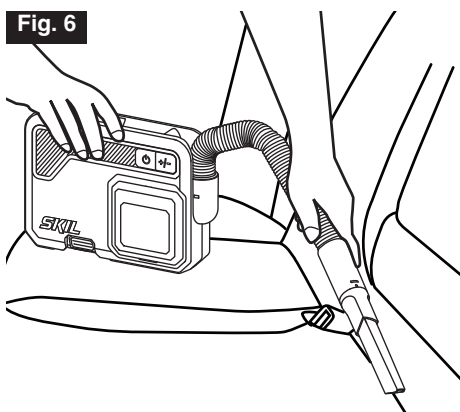
Fig. 5



Using the Vacuum (Fig. 6)

- Attach the battery pack to the vacuum.
- Press the on/off switch to start.
- Press the mode button to activate the desired speed mode.
- Move the nozzle forward and back over the surface to be cleaned.
- Press the on/off switch again to stop the vacuum.
- Detach the battery pack.
- Press the dust compartment release button, then empty the contents of the dust compartment. If required, clean the filter assembly.

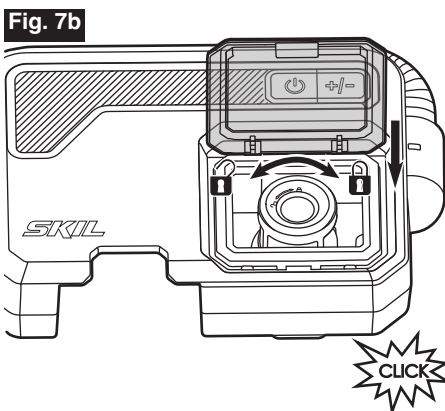
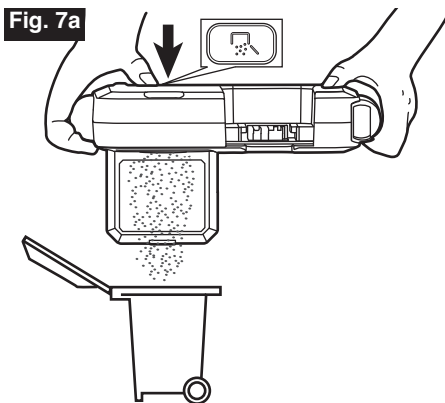
Fig. 6



Cleaning the Dust Compartment (Fig. 7a - 7b)

To maintain optimal performance of the vacuum, empty and clean the dust compartment after each use.

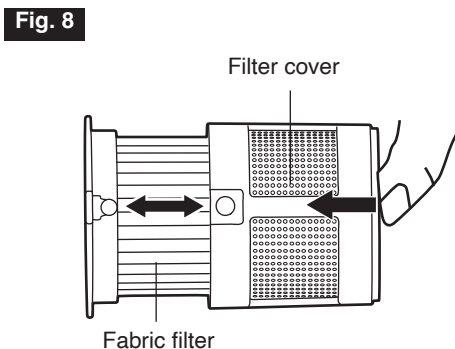
- Press the dust compartment release button to open the dust compartment cover.
- Rotate the filter assembly counterclockwise to remove it.
- Shake/tap out the dust compartment over a suitable waste bin. If required, clean the dust compartment with a moist cloth.
- If required, clean the filter assembly (refer to “Cleaning the Filter Assembly” chapter).
- To reinstall the filter assembly, turn it clockwise until you hear a “CLICK”, making sure to lock the filter assembly in place.



Cleaning the Filter Assembly (Fig. 8)

To maintain the best performance of your vacuum, clean the filter assembly regularly.

- Remove the filter assembly from the dust compartment (refer to chapter “Cleaning the Dust Compartment”).
- Press firmly on the top of the filter cover to push the fabric filter out of the filter cover.
- Brush the filter cover with a soft brush. If necessary, you can wash the filter cover.
- Wash the fabric filter under running water.
- Allow the fabric filter and the filter cover to dry completely before reassembling, to avoid mold formation.
- Reassemble the filter in reverse order.



NOTICE If the filter assembly has damage or small holes, replace it immediately.

WARNING Make sure the filter assembly is dry and in place when reassembling. Liquid penetration may increase the risk of fire.

Installing the Inflator Nozzles (Fig. 9a - 9b)

This vacuum cleaner can also function as an inflator.

Inflator Nozzle:

Insert the wider end of the inflator nozzle into the air outlet of the vacuum, and connect the narrower end into the air inlet of an inflatable object (Fig. 9a).

Small Inflator Nozzle:

- Insert the wider end of the inflator nozzle into the air outlet of the vacuum and the other end into the small inflator nozzle (Fig. 9b).
- Insert the tip of the small inflator nozzle into the air inlet of an inflatable object.

Fig. 9a

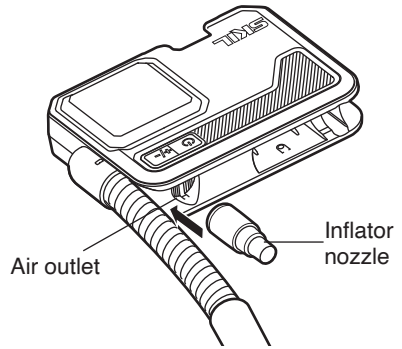
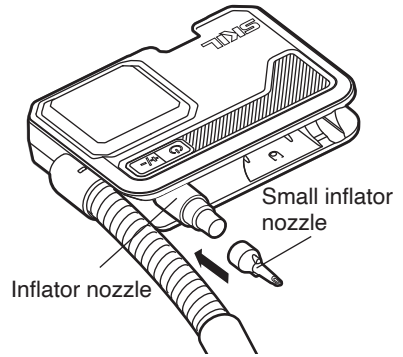


Fig. 9b



MAINTENANCE

⚠ WARNING To avoid serious personal injury, always remove the battery pack from the vacuum when cleaning or performing any maintenance.

Service

⚠ WARNING Preventive maintenance performed by unauthorized personnel may result in misplacing of internal wires and components which could cause a serious hazard. We recommend that all service be performed by a SKIL Factory Service Center or Authorized SKIL Service Station.

General Maintenance

⚠ WARNING When servicing, use only identical replacement parts. Use of any other parts could create a hazard or cause product damage.

Periodically inspect the entire product for damaged, missing, or loose parts such as screws, nuts, bolts, caps, etc. Tighten securely all fasteners and caps and do not operate this product until all missing or damaged parts are replaced. Please contact customer service or an authorized service center for assistance.

Cleaning

The vacuum may be cleaned most effectively with compressed dry air.

⚠ WARNING Always wear safety goggles when cleaning tools with compressed air. Ventilation openings and switch levers must be kept clean and free of foreign matter. Do not attempt to clean by inserting pointed objects through openings.

⚠ WARNING Certain cleaning agents and solvents damage plastic parts. Some of these are: gasoline, carbon tetrachloride, chlorinated cleaning solvents, ammonia and household detergents that contain ammonia.

Storage

Store the vacuum indoors in a place that is inaccessible to children. Keep away from corrosive agents.

TROUBLESHOOTING

Problem	Cause	Remedy
Vacuum does not work.	1. Battery pack charge is depleted. 2. Battery pack is not installed properly.	1. Charge the battery pack. 2. Confirm that the battery pack is inserted and secured to the vacuum.
Decreased suction.	1. Dust compartment is full. 2. The fabric filter is clogged. 3. Vacuum hose is blocked.	1. Empty the dust compartment. 2. Clean or replace fabric filter. 3. Unclog the vacuum hose. Straightening the vacuum hose will also help increase suction.
Vacuum gets hot.	Running motor.	It is normal for the vacuum temperature to increase during operation.
The vacuum works but the dust in the dust compartment does not spin.	The dust inlet of the dust compartment is blocked by a large object.	Timely remove large objects from the dust compartment.
The vacuum fails inflating an inflatable object.	The inflator nozzle and/or small inflator nozzle is not inserted tightly	Reinstall and insert the inflator nozzle(s) tightly.

LIMITED WARRANTY OF SKIL CONSUMER TOOLS

5 YEAR LIMITED WARRANTY- LEGAL

Chervon North America, Inc. ("Seller") warrants to the original purchaser only, that all SKIL consumer TOOLS will be free from defects in material or workmanship for a period of five years from date of purchase, if original purchaser registers the product within 30 days from purchase. BATTERIES AND CHARGERS are warranted for 2 years. Product registration can be completed online at www.Registermyskil.com. Original purchasers should also retain their receipt as proof of purchase. THE FIVE-YEAR WARRANTY PERIOD FOR TOOLS IS CONDITIONED ON REGISTRATION OF THE PRODUCT WITHIN 30 DAYS OF PURCHASE. If original purchasers do not register their product timely, the foregoing limited warranty will apply for a duration of three years for tools. All batteries and chargers will remain under the two-year limited warranty.

Notwithstanding the foregoing, if a SKIL consumer tool is used for industrial, professional or commercial purposes, the foregoing warranty will apply for a duration of ninety days, regardless of registration.

SELLER'S SOLE OBLIGATION AND YOUR EXCLUSIVE REMEDY under this Limited Warranty and, to the extent permitted by law, any warranty or condition implied by law, shall be the repair or replacement of parts, without charge, which are defective in material or workmanship and which have not been misused, carelessly handled, or repaired by persons other than Seller or Authorized Service Station. To make a claim under this Limited Warranty, you must return the complete product, transportation prepaid, to any SKIL Factory Service Center or Authorized Service Station. For Authorized SKIL Power Tool Service Stations, please visit www.Registermyskil.com or call 1-877-SKIL-999 (1-877-754-5999).

THIS LIMITED WARRANTY DOES NOT APPLY TO ACCESSORY ITEMS SUCH AS CIRCULAR SAW BLADES, DRILL BITS, ROUTER BITS, JIGSAW BLADES, SANDING BELTS, GRINDING WHEELS AND OTHER RELATED ITEMS.

ANY IMPLIED WARRANTIES APPLICABLE TO A PRODUCT SHALL BE LIMITED IN DURATION EQUAL TO THE DURATION OF THE EXPRESS WARRANTIES APPLICABLE TO SUCH PRODUCT, AS SET FORTH IN THE FIRST PARAGRAPH ABOVE. SOME STATES IN THE U.S., SOME CANADIAN PROVINCES DO NOT ALLOW LIMITATIONS ON HOW LONG AN IMPLIED WARRANTY LASTS, SO THE ABOVE LIMITATION MAY NOT APPLY TO YOU.

IN NO EVENT SHALL SELLER BE LIABLE FOR ANY INCIDENTAL OR CONSEQUENTIAL DAMAGES (INCLUDING BUT NOT LIMITED TO LIABILITY FOR LOSS OF PROFITS) ARISING FROM THE SALE OR USE OF THIS PRODUCT. SOME STATES IN THE U.S. AND SOME CANADIAN PROVINCES DO NOT ALLOW THE EXCLUSION OR LIMITATION OF INCIDENTAL OR CONSEQUENTIAL DAMAGES, SO THE ABOVE LIMITATION OR EXCLUSION MAY NOT APPLY TO YOU.

THIS LIMITED WARRANTY GIVES YOU SPECIFIC LEGAL RIGHTS, AND YOU MAY ALSO HAVE OTHER RIGHTS WHICH VARY FROM STATE TO STATE IN THE U.S., PROVINCE TO PROVINCE IN CANADA AND FROM COUNTRY TO COUNTRY.


THIS LIMITED WARRANTY APPLIES ONLY TO PRODUCTS SOLD WITHIN THE UNITED STATES OF AMERICA, CANADA AND THE COMMONWEALTH OF PUERTO RICO. FOR WARRANTY COVERAGE WITHIN OTHER COUNTRIES, CONTACT YOUR LOCAL SKIL DEALER OR IMPORTER.

© Chervon North America, 1203 E. Warrenville Rd, Naperville, IL 60563.

SYMBOLES RELATIFS À LA SÉCURITÉ

L'objectif des symboles de sécurité est d'attirer votre attention sur les dangers potentiels. Vous devez examiner attentivement et bien comprendre les symboles de sécurité et les explications qui les accompagnent. Les symboles d'avertissement en tant que tels n'éliminent pas le danger. Les consignes et les avertissements qui y sont associés ne remplacent en aucun cas les mesures préventives adéquates.

⚠ AVERTISSEMENT Assurez-vous de lire et de comprendre toutes les consignes de sécurité présentées dans le présent guide d'utilisation, notamment toutes les consignes de sécurité indiquées par « **DANGER** », « **AVERTISSEMENT** » et « **MISE EN GARDE** » avant d'utiliser cet outil. Le fait de ne pas respecter toutes les consignes de sécurité ci-dessous peut causer un choc électrique, un incendie ou des blessures graves.

Les définitions ci-dessous décrivent le degré de gravité pour chaque mot-indicateur. Veuillez lire ce guide et prêter attention à ces symboles.	
	Voici le pictogramme d'alerte de sécurité. Il sert à vous indiquer les risques potentiels de blessures. Respectez toutes les consignes de sécurité associées à ce pictogramme pour éviter les risques de blessures ou de mort.
⚠ DANGER	DANGER indique un danger imminent qui, s'il n'est pas évité, causera des blessures graves ou la mort.
⚠ AVERTISSEMENT	AVERTISSEMENT indique un risque pouvant entraîner des blessures graves ou la mort s'il n'est pas prévenu.
⚠ MISE EN GARDE	MISE EN GARDE, utilisée avec le symbole d'alerte de sécurité, indique un risque potentiel qui, s'il n'est pas éliminé, provoquera des blessures mineures ou moyennement graves.

Messages d'information et de prévention des dommages

Ces messages contiennent des renseignements importants à l'intention de l'utilisateur ainsi que des consignes à respecter. Le non-respect de celles-ci peut occasionner des dommages à l'équipement ou d'autres dommages matériels. Chaque message est précédé du mot « AVIS », comme dans l'exemple ci-dessous :

AVIS Ne pas suivre ces consignes pourrait occasionner des dommages à l'équipement ou d'autres dommages matériels.



⚠ AVERTISSEMENT L'utilisation de tout outil électrique peut entraîner la projection de corps étrangers dans les yeux et ainsi causer des lésions oculaires graves. Lorsque vous utilisez un outil électrique, portez toujours des lunettes de sécurité pourvues d'écrans latéraux et d'un écran facial panoramique, au besoin. Nous recommandons le port d'un masque de sécurité panoramique par-dessus les lunettes ou de lunettes de sécurité standard avec écrans latéraux. Portez toujours des protecteurs oculaires conformes à la norme ANSI Z87.1.

TABLE DES MATIÈRES

Avertissements généraux de sécurité concernant la machine	23-25
Consignes de sécurité importantes	25-26
Symboles	27-29
Description de votre aspirateur Slim	30
Spécifications	31
Instructions pour l'utilisation	32-36
Entretien	37
Recherche de la cause des problèmes	38
Garantie limitée des outils grand public SKIL	39-40

⚠ AVERTISSEMENT Percer, scier, poncer ou usiner à la machine des produits en bois peut vous exposer à de la poussière de bois, une substance connue comme étant carcinogène par l'État de Californie. Évitez d'inhaler de la poussière de bois ou utilisez un masque antipoussières ou d'autres équipements de protection individuelle. Pour plus d'informations, rendez-vous sur le site www.P65Warnings.ca.gov/wood.

⚠ AVERTISSEMENT La poussière créée pendant le ponçage, le sciage, le polissage, le perçage et d'autres activités liées à la construction peut contenir des produits chimiques reconnus par l'État de la Californie comme étant la cause de cancers, d'anomalies congénitales et d'autres problèmes liés aux fonctions reproductrices. Voici des exemples de ces produits chimiques :

- Plomb provenant de peintures à base de plomb.
- Silice cristallisée contenue dans les briques, le ciment et d'autres produits de maçonnerie.
- Arsenic et chrome contenus dans le bois d'œuvre traité avec des produits chimiques.

Les risques liés à l'exposition à ces produits varient selon le nombre de fois où vous pratiquez ces activités. Pour réduire votre exposition à ces produits chimiques :

- travaillez dans un endroit bien ventilé;
- munissez-vous de l'équipement de sécurité approuvé tel que des masques antipoussières conçus spécialement pour filtrer les particules microscopiques;
- évitez l'exposition prolongée à la poussière causée par le ponçage mécanique, le sciage, le polissage, le perçage et d'autres activités liées à la construction. Portez un équipement de protection et lavez à l'eau et au savon toutes les parties exposées. Les poussières pénétrant dans votre bouche ou dans vos yeux et les poussières se déposant sur votre peau peuvent causer l'absorption de produits chimiques dangereux.

AVERTISSEMENTS GÉNÉRAUX SUR LA SÉCURITÉ CONCERNANT LA MACHINE

⚠ AVERTISSEMENT Lisez tous les avertissements de sécurité, les instructions, les illustrations et les spécifications fournis avec cette machine. Le non-respect de toutes les instructions énumérées ci-dessous peut entraîner un choc électrique, un incendie et/ou des blessures graves.

CONSERVEZ TOUS LES AVERTISSEMENTS ET TOUTES LES INSTRUCTIONS POUR TOUTE RÉFÉRENCE ULTÉRIEURE.

Le terme « machine » dans les avertissements fait référence à votre machine fonctionnant sur secteur (avec fil) ou sur batterie (sans cordon).

Sécurité de la zone de travail

Gardez la zone de travail propre et bien éclairée. Les zones encombrées ou sombres sont propices aux accidents.

N'utilisez pas de machines dans des atmosphères explosives, par exemple en présence de liquides, de gaz ou de poussières inflammables. Les machines créent des étincelles qui peuvent enflammer les poussières ou les fumées.

Éloignez les enfants et les passants lorsque vous utilisez une machine. Les distractions peuvent vous faire perdre le contrôle.

Sécurité électrique

Les fiches de la machine doivent correspondre à la prise. Ne modifiez jamais la fiche de quelque manière que ce soit. N'utilisez pas de fiche d'adaptateur avec des machines mises à la terre. Des fiches non modifiées et des prises de courant adaptées réduisent le risque de choc électrique.

Évitez tout contact corporel avec des surfaces mises à la terre ou mises à la terre, telles que des tuyaux, des radiateurs, des cuisinières et des réfrigérateurs. Le risque de choc électrique est accru si votre corps est relié à la terre.

N'exposez pas la machine à la pluie ou à l'humidité. La pénétration d'eau dans la machine augmente le risque d'électrocution.

Ne maltraitez pas le cordon. N'utilisez jamais le cordon pour porter, tirer ou débrancher la machine. Gardez le cordon à l'écart de la chaleur, de l'huile, des bords tranchants ou des pièces mobiles. Les cordons endommagés ou emmêlés augmentent le risque d'électrocution.

Lorsque vous utilisez la machine à l'extérieur, utilisez une rallonge adaptée à cet usage. L'utilisation d'un cordon adapté à une utilisation en extérieur réduit le risque de choc électrique.

Si l'utilisation d'une machine dans un endroit humide est inévitable, utilisez une alimentation protégée par un disjoncteur de fuite à la terre (DDFT). L'utilisation d'un disjoncteur de fuite à la terre réduit le risque de choc électrique.

Sécurité personnelle

Restez vigilant(e), regardez ce que vous faites et faites preuve de bon sens lorsque vous utilisez la machine. N'utilisez pas la machine si vous êtes fatigué ou sous l'influence de drogues, d'alcool ou de médicaments. Un moment d'inattention lors de l'utilisation de la machine peut entraîner des blessures graves.

Utilisez un équipement de protection individuelle. Portez toujours des lunettes de protection. Les équipements de protection tels qu'un masque anti-poussière, des chaussures de sécurité antidérapantes, un casque de sécurité ou des protections auditives utilisés dans des conditions appropriées réduiront les risques de blessures.

Empêchez tout démarrage involontaire. Assurez-vous que l'interrupteur est en position d'arrêt avant de brancher la source d'alimentation et/ou la batterie, de prendre ou de transporter la machine. Porter des machines avec le doigt sur l'interrupteur ou mettre sous tension des machines dont l'interrupteur est en position de marche est une source d'accidents.

Retirez toute clé de réglage ou autre clé avant de mettre la machine en marche. Une clé laissée sur une pièce rotative de la machine peut entraîner des blessures.

Ne tentez pas d'atteindre un endroit trop éloigné avec la machine. Gardez toujours une bonne assise et un bon équilibre. Cela permet de mieux contrôler la machine dans des situations inattendues.

Habillez-vous correctement. Ne portez pas de vêtements amples ni de bijoux. Gardez vos cheveux, vos vêtements et vos gants éloignés des pièces mobiles. Les vêtements amples, les bijoux ou les cheveux longs peuvent être happés par les pièces mobiles.

Si des dispositifs sont fournis pour le raccordement d'installations d'extraction et de collecte des poussières, veillez à ce qu'ils soient raccordés et utilisés correctement.

L'utilisation d'un système de collecte des poussières peut réduire les risques liés à la poussière.

Ne laissez pas la familiarité acquise grâce à l'utilisation fréquente des machines vous inciter à faire preuve de négligence et à ignorer les principes de sécurité des machines. Un geste imprudent peut entraîner des blessures graves en une fraction de seconde.

Utilisation et entretien de la machine

Ne forcez pas la machine. Utilisez la machine adaptée à votre application. Une machine appropriée effectuera le travail mieux et de manière plus sûre, à la vitesse pour laquelle elle a été conçue.

N'utilisez pas la machine si l'interrupteur ne permet pas de la mettre en marche ou de l'arrêter. Toute machine qui ne peut être contrôlée par l'interrupteur est dangereuse et doit être réparée.

Débranchez la fiche de la source d'alimentation et/ou retirez la batterie, si elle est amovible, de la machine avant d'effectuer des réglages, de changer d'accessoires ou de ranger la machine. Ces mesures de sécurité préventives réduisent le risque de démarrage accidentel de la machine.

Rangez la machine non utilisée hors de portée des enfants et ne laissez pas des personnes non familiarisées avec la machine ou avec ces instructions utiliser la machine. Les machines sont dangereuses entre les mains d'utilisateurs non formés.

Entretenez les machines et les accessoires. Vérifiez que les pièces mobiles ne sont pas mal alignées ou coincées, que les pièces ne sont pas cassées et que rien n'affecte le fonctionnement de la machine. Si la machine est endommagée, faites-la réparer avant de l'utiliser. De nombreux accidents sont causés par des machines mal entretenues.

Veillez à ce que la machine de coupe soient bien affûtée et propre. Les machines de découpe correctement entretenues et dotées de tranchants bien affûtés risquent moins de se gripper et sont plus faciles à contrôler.

Utilisez la machine, les accessoires, les buses, etc. conformément à ces instructions, en tenant compte des conditions de travail et du travail à effectuer. L'utilisation de la machine pour des opérations différentes de celles prévues pourrait entraîner une situation dangereuse.

Gardez les poignées et les surfaces de préhension sèches, propres et exemptes d'huile et de graisse. Les poignées et surfaces de préhension glissantes ne permettent pas une manipulation et un contrôle sûrs de la machine dans des situations inattendues.

Utilisation et entretien de la machine à batterie

Rechargez uniquement avec le chargeur spécifié par le fabricant. Un chargeur adapté à un type de batterie peut créer un risque d'incendie lorsqu'il est utilisé avec un autre type de batterie.

Utilisez la machine uniquement avec le bloc-batterie spécifiquement désigné. L'utilisation de tout autre bloc-batterie peut entraîner un risque de blessure et d'incendie.

Lorsque la batterie n'est pas utilisée, éloignez-la de tout autre objet métallique, comme les trombones, les pièces de monnaie, les clés, les clous, les vis ou d'autres petits objets métalliques, susceptibles d'établir une connexion d'une borne à une autre. La mise en court-circuit des bornes de la batterie peut provoquer des brûlures ou un incendie.

Dans des conditions abusives, du liquide peut être éjecté de la batterie ; évitez tout contact. En cas de contact accidentel, rincez à l'eau. Si le liquide entre en contact avec les yeux, consultez immédiatement un médecin. Le liquide éjecté de la batterie peut provoquer des irritations ou des brûlures.

N'utilisez pas une batterie ou un appareil endommagé ou modifié. Les batteries endommagées ou modifiées peuvent présenter un comportement imprévisible entraînant un incendie, une explosion ou un risque de blessure.

N'exposez pas la batterie ou la machine à un feu ou à une température excessive. L'exposition au feu ou à une température supérieure à 130 °C (265 °F) peut provoquer une explosion.

Suivez toutes les instructions de charge et ne chargez pas la batterie ou la machine en dehors de la plage de température spécifiée dans les instructions. Une charge incorrecte ou à des températures en dehors de la plage spécifiée peut endommager la batterie et augmenter le risque d'incendie.

Service

Confiez l'entretien de votre machine à un réparateur qualifié qui n'utilisera que des pièces de rechange identiques. Cela permettra de garantir la sécurité de la machine.

Ne réparez jamais des batteries endommagées. L'entretien des batteries ne doit être effectué que par le fabricant ou des prestataires de services agréés.

CONSIGNES DE SÉCURITÉ IMPORTANTES

Lors de l'utilisation d'un appareil électrique, des précautions de base doivent toujours être suivies, notamment les suivantes :

LISEZ TOUTES LES INSTRUCTIONS AVANT L'UTILISATION (DE CET APPAREIL)

Pour réduire le risque d'incendie, de choc électrique ou de blessure :

N'utilisez pas l'aspirateur pour aspirer des substances ou des poussières dangereuses ou toxiques, comme l'amiante. Le filtre n'est pas capable de capturer toutes les particules dangereuses, ce qui peut présenter des risques pour la santé.

Pour réduire le risque d'électrocution, n'exposez pas l'appareil à la pluie. Conservez l'appareil à l'intérieur.

Pour un usage domestique uniquement.

Ne laissez pas la machine être utilisée comme un jouet. Une attention particulière est nécessaire lorsque l'appareil est utilisé par des enfants ou à proximité de ceux-ci.

Utilisez uniquement comme décrit dans ce manuel. Utilisez uniquement les accessoires recommandés par le fabricant.

Ne placez aucun objet dans les ouvertures. N'utilisez pas l'appareil si l'une de ses ouvertures est obstruée ; veillez à ce que les ouvertures soient exemptes de poussière, de peluches, de cheveux et de tout ce qui pourrait réduire le flux d'air.

Gardez les cheveux, les vêtements amples, les doigts et toutes les parties du corps éloignés des ouvertures et des pièces mobiles. Les vêtements amples, les bijoux ou les cheveux longs peuvent être aspirés dans les bouches d'aération.

Soyez particulièrement prudent(e) lorsque vous nettoyez les escaliers.

Ne manipulez pas le chargeur, y compris la fiche du chargeur, ou les bornes du chargeur, avec les mains mouillées.

Ne chargez pas la batterie à l'extérieur.

Utilisez uniquement le chargeur fourni par le fabricant pour recharger l'appareil.

N'incinerez pas l'appareil, même s'il est gravement endommagé. Les batteries peuvent exploser dans un incendie.

Ne laissez pas la machine sans surveillance lorsque la batterie est insérée. Retirez la batterie lorsque l'appareil n'est pas utilisé et avant toute opération d'entretien.

Gardez l'appareil et sa poignée secs, propres et exempts d'huile et de graisse. Utilisez toujours un chiffon propre lors du nettoyage. N'utilisez jamais de liquide de frein, d'essence, de produits à base de pétrole ou tout autre solvant puissant pour nettoyer votre machine. Le respect de cette règle réduira le risque de perte de contrôle et de détérioration du plastique du boîtier.

Utilisez un équipement de sécurité. Portez toujours une protection oculaire avec des écrans latéraux conformes à la norme ANSI Z87.1, ainsi qu'une protection auditive lorsque vous utilisez cet appareil. Les lunettes de tous les jours n'ont que des verres résistants aux chocs. Ce ne sont PAS des lunettes de sécurité. Le respect de cette règle réduira le risque de blessure aux yeux.

Protégez vos poumons. Portez un masque facial ou un masque anti-poussière si l'opération est poussiéreuse. Le respect de cette règle réduira le risque de blessures graves.

Protégez votre audition. Portez une protection auditive pendant les périodes d'utilisation prolongées. Le respect de cette règle réduira le risque de blessures graves.

Les batteries peuvent exploser en présence d'une source d'inflammation, telle qu'une veilleuse. Pour réduire le risque de blessures graves, n'utilisez jamais un produit sans fil en présence d'une flamme nue. Une batterie qui explose peut projeter des débris et des produits chimiques. En cas d'exposition, rincez immédiatement à l'eau.

N'utilisez pas l'appareil sans le sac à poussière et/ou les filtres en place.









N'utilisez pas l'appareil pour ramasser des liquides inflammables ou combustibles, tels que de l'essence, ou dans des zones où ils peuvent être présents.



Pour réduire les risques sanitaires liés aux vapeurs ou à la poussière, n'aspirez jamais de produits chimiques, d'engrais ou d'autres substances toxiques.

Conservez ces instructions. Consultez-les fréquemment et utilisez-les pour instruire d'autres personnes susceptibles d'utiliser l'appareil. Si vous prêtez cette machine à quelqu'un d'autre, prêtez-lui également ces instructions afin d'éviter une mauvaise utilisation du produit et d'éventuelles blessures.

SYMBOLES


IMPORTANT : Certains des symboles suivants peuvent être utilisés sur votre outil. Veuillez les étudier et apprendre leur signification. Une interprétation correcte de ces symboles vous permettra d'utiliser l'outil de manière plus efficace et plus sûre.

Symbole	Nom	Désignation/explication
V	Volts	Tension (potentiel)
A	Ampères	Courant
Hz	Hertz	Fréquence (cycles par seconde)
W	Watt	Puissance
kg	Kilogrammes	Poids
min	Minutes	Durée
s	Secondes	Durée
Wh	Watt-heures	Capacité de la batterie
Ah	Ampères-heures	Capacité de la batterie
∅	Diamètre	Taille des forets, des meules, etc.
n_0	Vitesse à vide	Vitesse rationnelle, sans charge
n	Vitesse nominale	Vitesse maximale atteignable
.../min	Nombre de tours ou de va-et-vient par minute	Révolutions, coups, vitesse de surface, orbites, etc., par minute
0	Position d'arrêt	Vitesse nulle, couple nul...
1,2,3,... I,II,III,	Réglages du sélecteur	Paramètres de vitesse, de couple ou de position. Un nombre plus élevé signifie une plus grande vitesse
	Sélecteur à réglage continu avec arrêt	La vitesse augmente à partir du réglage 0
	Flèche	Action dans le sens de la flèche
	Courant alternatif	Type ou caractéristique du courant
	Courant continu	Type ou caractéristique du courant
	Courant alternatif ou continu	Type ou caractéristique du courant
	Outil de classe II	Désigne les outils de construction à double isolation.
	Borne de terre	Borne de mise à la terre
	Joint RBRC Li-ion	Désignation d'un programme de recyclage des batteries Li-ion

Symbole	Nom	Désignation/explication
	Symbole de lecture du manuel	Signale à l'utilisateur qu'il doit lire le manuel
	Portez des lunettes de protection	Signale à l'utilisateur qu'il doit porter une protection oculaire

SYMBOLES (INFORMATIONS SUR LA CERTIFICATION)

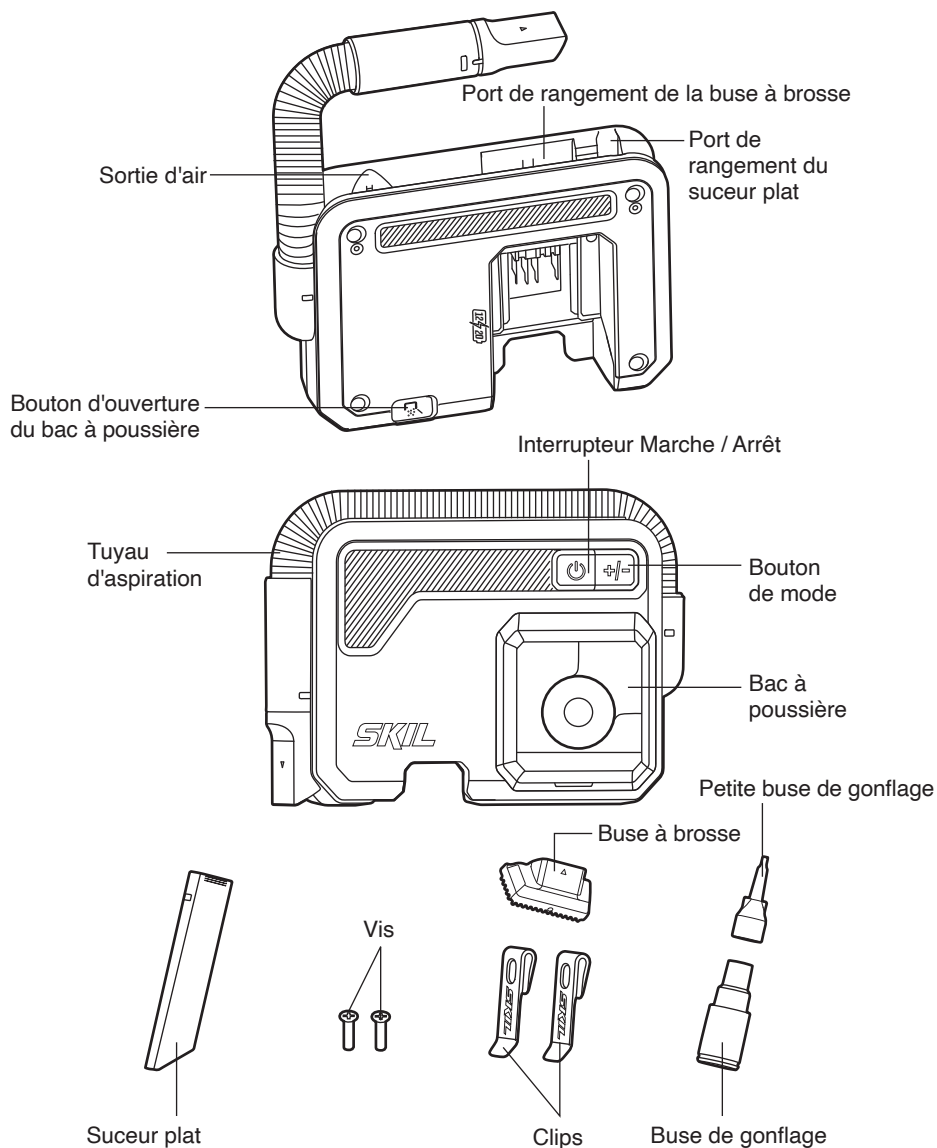
IMPORTANT : Certains des symboles suivants relatifs aux informations de certification peuvent être utilisés sur votre outil. Veuillez les étudier et apprendre leur signification. Une interprétation correcte de ces symboles vous permettra d'utiliser l'outil de manière plus efficace et plus sûre.

Symbole	Désignation / explication
	Ce symbole indique que cet outil est homologué par Underwriters Laboratories.
	Ce symbole indique que ce composant est reconnu par Underwriters Laboratories.
	Ce symbole indique que cet outil est homologué par Underwriters Laboratories, conformément aux normes américaines et canadiennes.
	Ce symbole indique que cet outil est répertorié par l'Association canadienne de normalisation.
	Ce symbole indique que cet outil est répertorié par l'Association canadienne de normalisation, conformément aux normes américaines et canadiennes.
	Ce symbole indique que cet outil est homologué par Intertek Testing Services, conformément aux normes américaines et canadiennes.
	Ce symbole indique que cette machine est homologuée par les services de test SGS, conformément aux normes américaines et canadiennes.

DESCRIPTION DE VOTRE ASPIRATEUR SLIM

Aspirateur Slim sans balais multi-volts 12 / 20 V

Fig. 1



SPÉCIFICATIONS

Tension nominale	12 V CC / 20 V CC
Vitesse du moteur	100 000 TR / MIN
Volume du bac à poussière	0,05 gallons (0,2 L)
Débit maximum	17 PCM (500 L/min)
Puissance d'aspiration maximale	15 kPa
Puissance d'air maximale	30 W
Température de fonctionnement recommandée	23 – 104 °F (-5 – 40 °C)
Température de stockage recommandée	32 – 104 °F (0 – 40 °C)

INSTRUCTIONS D'UTILISATION

⚠ AVERTISSEMENT Pour réduire les risques d'incendie, de blessures et de dommages au produit dus à un court-circuit, n'immergez jamais votre machine, votre batterie ou votre chargeur dans un liquide et ne laissez jamais un liquide circuler à l'intérieur. Les liquides corrosifs ou conducteurs, tels que l'eau de mer, certains produits chimiques industriels, l'eau de Javel ou les produits contenant de l'eau de Javel, etc. peuvent provoquer un court-circuit.

⚠ AVERTISSEMENT Si des pièces sont endommagées ou manquantes, n'utilisez pas ce produit tant que les pièces n'ont pas été remplacées. L'utilisation de ce produit avec des pièces endommagées ou manquantes peut entraîner des blessures graves.

⚠ AVERTISSEMENT N'essayez pas de modifier cette machine ou de créer des accessoires dont l'utilisation n'est pas recommandée avec cette machine. Toute altération ou modification de ce type constitue une utilisation inadaptée et peut entraîner des conditions dangereuses susceptibles de provoquer des blessures graves.

⚠ AVERTISSEMENT Pour éviter tout démarrage accidentel susceptible de provoquer des blessures graves, retirez toujours la batterie de la machine lorsque vous assemblez des pièces, effectuez des réglages, nettoyez la machine ou lorsque vous ne l'utilisez pas.

⚠ AVERTISSEMENT Ne laissez pas la familiarité avec ce produit vous rendre négligent. N'oubliez pas qu'une fraction de seconde d'inattention suffit pour infliger des blessures graves, voire mortelles.

Cet aspirateur compact ne doit être utilisé qu'avec les blocs-batteries et les chargeurs indiqués ci-dessous :

Batterie		Charger
12V	SKIL BY500101 (2Ah) SKIL BY519901 (2Ah) SKIL BY5020A-00 (2Ah) SKIL BY519801 (4Ah) SKIL BY5040A-00 (4Ah)	SKIL QC535701 SKIL SC536501
20V	SKIL BY519701 (2Ah) SKIL BY519702 (2Ah) SKIL BY5100B-00 (2Ah) SKIL BY519703 (2.5Ah) SKIL BY519601 (4Ah) SKIL BY5140B-00 (4Ah) SKIL BY519603 (5Ah)	SKIL SC535801 SKIL QC536001 SKIL QC5359B-02 SKIL SC5358B-02 SKIL SC0030B-00

AVIS Veuillez consulter les manuels du bloc-batterie et du chargeur pour obtenir des instructions détaillées sur le fonctionnement et la sécurité.

Attache / retrait de la batterie (Fig.2)

Pour attacher la batterie :

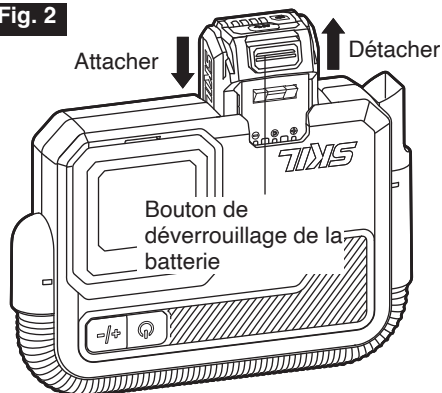
Alignez la nervure surélevée du bloc-batterie sur les rainures du compartiment de la batterie, puis faites glisser le bloc-batterie dans le compartiment.

AVIS Lorsque vous fixez le bloc-batterie, assurez-vous que la nervure surélevée du bloc-batterie s'aligne sur la rainure à l'intérieur du compartiment de la batterie et que les loquets s'enclenchent correctement. Une mauvaise fixation de la batterie peut endommager les composants internes.

Pour détacher la batterie :

Appuyez sur le bouton de déverrouillage de la batterie situé à l'avant du bloc-batterie pour libérer ce dernier. Tirez sur le bloc-batterie et retirez-le de l'aspirateur.

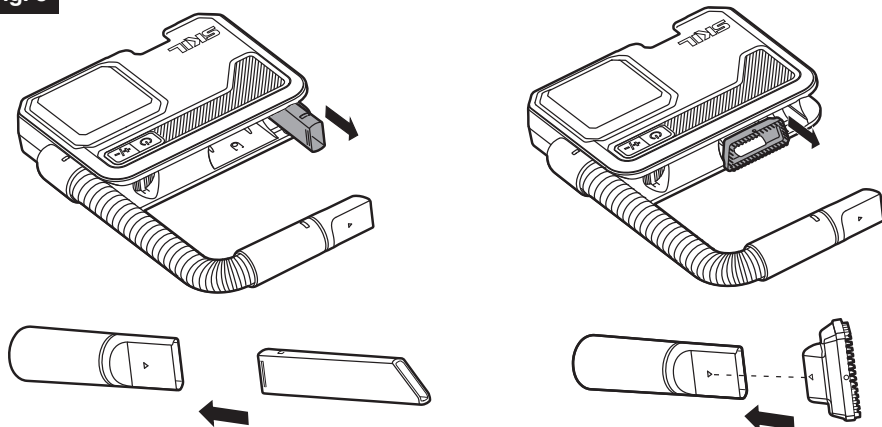
Fig. 2



Installation de la brosse / du suceur plat (Fig.3)

Retirez la buse souhaitée de son port de rangement et connectez-la à l'extrémité du tuyau d'aspiration en la poussant en place.

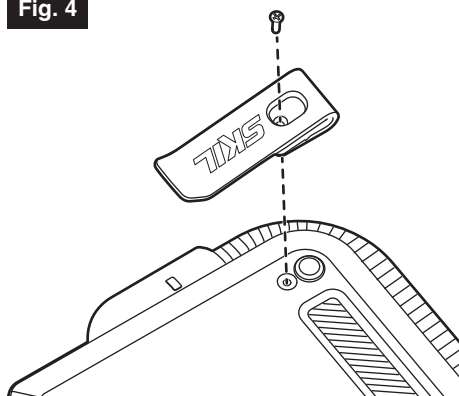
Fig. 3



Installation des clips (Fig. 4)

- Alignez le trou de l'un des deux clips avec le trou fileté à l'arrière de l'aspirateur.
- Insérez la vis et serrez-la solidement à l'aide d'un tournevis cruciforme (non inclus).
- Répétez ces étapes avec l'autre clip.

Fig. 4



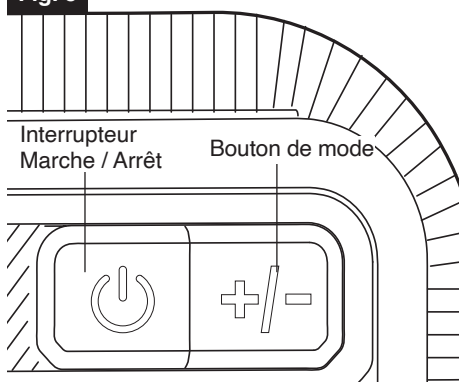
Pour démarrer / arrêter l'aspirateur (Fig. 5)

Appuyez sur l'interrupteur marche / arrêt pour démarrer l'aspirateur. Lorsque vous appuyez sur l'interrupteur pour la première fois, l'aspirateur fonctionne à grande vitesse.

Appuyez sur le bouton de mode pour faire passer l'aspirateur du mode haute vitesse au mode basse vitesse.

Appuyez à nouveau sur l'interrupteur marche / arrêt pour éteindre l'aspirateur.

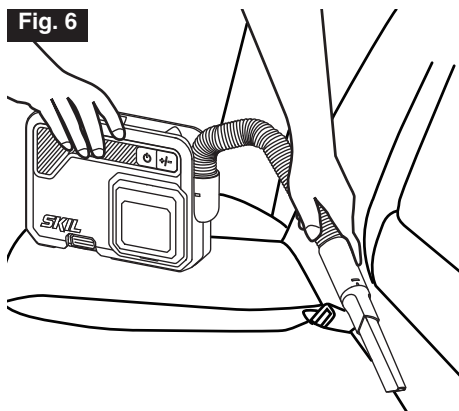
Fig. 5



Utilisation de l'aspirateur (Fig. 6)

- Fixez la batterie à l'aspirateur.
- Appuyez sur l'interrupteur marche / arrêt pour démarrer.
- Appuyez sur le bouton de mode pour activer le mode de vitesse souhaité.
- Déplacez la buse d'avant en arrière sur la surface à nettoyer.
- Appuyez à nouveau sur l'interrupteur marche / arrêt pour arrêter l'aspirateur.
- Détachez le bloc-batterie.
- Appuyez sur le bouton d'ouverture du bac à poussière, puis videz le contenu du bac. Si nécessaire, nettoyez le filtre.

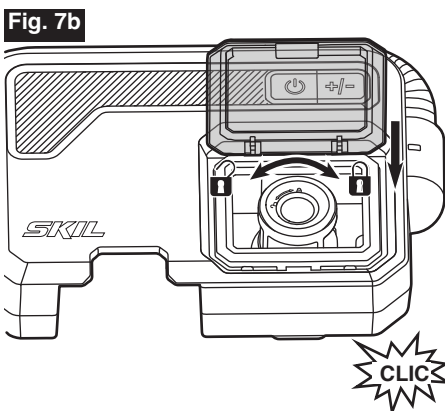
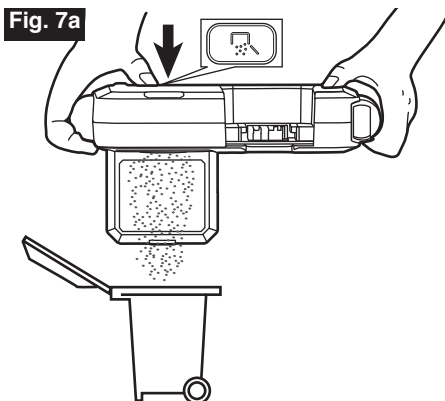
Fig. 6



Nettoyage du bac à poussière (Fig. 7a - 7b)

Pour maintenir les performances optimales de l'aspirateur, videz et nettoyez le bac à poussière après chaque utilisation.

- Appuyez sur le bouton d'ouverture du bac à poussière pour ouvrir le couvercle du bac.
- Tournez le filtre dans le sens inverse des aiguilles d'une montre pour le retirer.
- Secouez / éjectez le bac à poussière dans une poubelle appropriée. Si nécessaire, nettoyez le bac à poussière avec un chiffon humide.
- Si nécessaire, nettoyez le filtre (reportez-vous au chapitre « Nettoyage du filtre »).
- Pour réinstaller le filtre, tournez-le dans le sens des aiguilles d'une montre jusqu'à ce que vous entendiez un « CLIC », en veillant à le verrouiller en place.

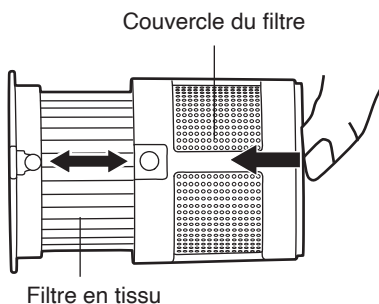


Nettoyage du filtre (schéma 8)

Pour maintenir les meilleures performances de votre aspirateur, nettoyez régulièrement le filtre.

- Retirez le filtre du bac à poussière (reportez-vous au chapitre « Nettoyage du bac à poussière »).
- Appuyez fermement sur le dessus du couvercle du filtre pour pousser le filtre en tissu hors du couvercle du filtre.
- Brossez le couvercle du filtre avec une brosse douce. Si nécessaire, vous pouvez laver le couvercle du filtre.
- Lavez le filtre en tissu sous l'eau courante.
- Laissez le filtre en tissu et le couvercle du filtre sécher complètement avant de les réassembler, afin d'éviter la formation de moisissures.
- Remontez le filtre dans l'ordre inverse,

Fig. 8



Si le filtre est endommagé ou présente de petits trous, remplacez-le immédiatement.

⚠ AVERTISSEMENT

Assurez-vous que le filtre est sec et en place lors du remontage. La pénétration de liquide peut augmenter le risque d'incendie.

Installation des buses de gonflage (Fig. 9a - 9b)

Cet aspirateur peut également fonctionner comme un gonfleur.

Buse de gonflage :

Insérez l'extrémité la plus large de la buse de gonflage dans la sortie d'air de l'aspirateur et connectez l'extrémité la plus étroite dans l'entrée d'air d'un objet gonflable (schéma 9a).

Petite buse de gonflage :

- Insérez l'extrémité la plus large de la buse de gonflage dans la sortie d'air de l'aspirateur et l'autre extrémité dans la petite buse de gonflage (schéma 9b).
- Insérez l'extrémité du petit embout de gonflage dans l'entrée d'air d'un objet gonflable.

Fig. 9a

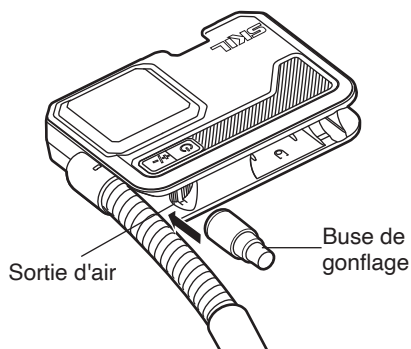
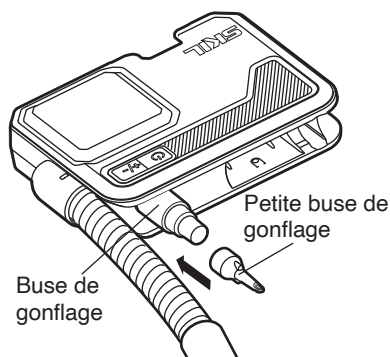


Fig. 9b



ENTRETIEN

⚠ AVERTISSEMENT Pour éviter toute blessure grave, retirez toujours le bloc-batterie de l'aspirateur lorsque vous le nettoyez ou effectuez un entretien quelconque.

Service

L'entretien préventif effectué par du personnel non autorisé peut entraîner l'égarement de fils et de composants internes, ce qui pourrait causer un grave danger. Nous recommandons que tous les travaux d'entretien soient effectués par un centre de service de l'usine SKIL ou par une station de service SKIL agréée.

Entretien général

⚠ AVERTISSEMENT Lors de l'entretien, utilisez uniquement des pièces de rechange identiques. L'utilisation de toute autre pièce peut créer un danger ou endommager le produit. Inspectez périodiquement l'ensemble du produit pour vérifier qu'il n'y a pas de pièces endommagées, manquantes ou desserrées, telles que des vis, des écrous, des boulons, des capuchons, etc. Serrez fermement toutes les fixations et tous les capuchons et n'utilisez pas ce produit tant que toutes les pièces manquantes ou endommagées n'ont pas été remplacées. Veuillez contacter le service clientèle ou un centre de service agréé pour obtenir de l'aide.

Nettoyage

L'aspirateur peut être nettoyé plus efficacement avec de l'air sec comprimé.

⚠ AVERTISSEMENT Portez toujours des lunettes de sécurité lors du nettoyage des outils à l'air comprimé. Les ouvertures de ventilation et les leviers de commande doivent être maintenus propres et exempts de corps étrangers. N'essayez pas de les nettoyer en insérant des objets pointus dans les ouvertures.

⚠ AVERTISSEMENT Certains produits de nettoyage et solvants endommagent les pièces en plastique. Il s'agit notamment de l'essence, du tétrachlorure de carbone, des solvants de nettoyage chlorés, de l'ammoniaque et des détergents ménagers contenant de l'ammoniaque.

Rangement

Rangez l'aspirateur à l'intérieur, dans un endroit inaccessible aux enfants. Tenez-le à l'écart des agents corrosifs.

GUIDE DE DÉPANNAGE

Problème	Cause	Solution
L'aspirateur ne fonctionne pas.	1.La charge de la batterie est épuisée. 2.La batterie n'est pas installée correctement.	1.Chargez la batterie. 2.Vérifiez que le bloc-batterie est inséré et fixé à l'aspirateur.
Aspiration réduite.	1.Le bac à poussière est plein. 2.Le filtre en tissu est obstrué. 3.Le tuyau d'aspiration est bloqué.	1.Videz le bac à poussière. 2.Nettoyez ou remplacez le filtre en tissu. 3.Débouchez le tuyau d'aspiration. Le fait de redresser le tuyau de l'aspirateur permet également d'augmenter l'aspiration.
L'aspirateur chauffe.	Moteur en marche.	Il est normal que la température de l'aspirateur augmente en cours de fonctionnement.
L'aspirateur fonctionne mais la poussière dans le bac à poussière ne tourne pas.	L'entrée du bac à poussière est bloquée par un objet de grande taille.	Retirez à temps les gros objets du bac à poussière.
L'aspirateur ne parvient pas à gonfler un objet gonflable.	La buse de gonflage et/ou la petite buse de gonflage n'est pas bien insérée.	Réinstallez et insérez fermement la ou les buses de gonflage.

GARANTIE LIMITÉE POUR LES OUTILS GRAND PUBLIC SKIL

GARANTIE LIMITÉE DE 5 ANS

Chervon North America, Inc. (« Vendeur ») garantit à l'acheteur original uniquement que tous les OUTILS grand public SKIL seront exempts de tout défaut de matériau ou de fabrication pendant une période de cinq ans à compter de la date d'achat, si l'acheteur original a enregistré le produit dans les 30 jours à compter de l'achat. LES PILES ET LES CHARGEURS sont garantis pendant deux ans. L'enregistrement des produits peut être effectué en ligne à l'adresse www.Registermyskil.com. L'acheteur original doit également conserver son reçu comme preuve d'achat. LA PÉRIODE DE CINQ ANS DE GARANTIE DES OUTILS EST CONDITIONNÉE À L'ENREGISTREMENT DU PRODUIT DANS LES 30 JOURS SUIVANT LA DATE DE L'ACHAT. Si les acheteurs d'origine n'enregistrent pas leur produit dans les délais impartis, la garantie limitée ci-dessus s'appliquera pendant une durée de trois ans pour les outils. Toutes les piles et tous les chargeurs resteront couverts par la garantie limitée de deux ans.

Nonobstant ce qui précède, si un outil grand public SKIL est utilisé à des fins industrielles, professionnelles ou commerciales, la garantie précédente s'appliquera seulement pendant une durée de quatre-vingt-dix jours, indépendamment de l'enregistrement.

LA SEULE OBLIGATION DU VENDEUR ET VOTRE SEUL REMÈDE en vertu de cette Garantie limitée et, dans la mesure où la loi le permet, de toute autre garantie ou condition légalement implicite, sera la réparation ou le remplacement à titre gratuit des pièces qui seront jugées défectueuses pour cause de vice de matériau ou de fabrication et qui n'auront pas été utilisées de façon abusive, manipulées sans précautions ou réparées incorrectement par des personnes autres que le Vendeur ou un Centre de service après-vente agréé. Pour vous prévaloir de la présente Garantie limitée, vous devez retourner le produit complet, en port payé, à un centre de service usine SKIL ou à un centre de service après-vente agréé. Pour trouver les centres de service après-vente agréés de SKIL pour des outils électriques, veuillez vous rendre sur le site www.Registermyskil.com ou téléphoner au 1-877-SKIL-999 (1-877-754-5999).

CETTE GARANTIE LIMITÉE NE S'APPLIQUE PAS AUX ARTICLES ACCESSOIRES TELS QUE DES LAMES DE SCIE CIRCULAIRES, DES FORETS, DES FERS DE TOUPIE, DES LAMES DE SCIES SAUTEUSES, DES COURROIS DE PONÇAGE, DES MEULES ABRASIVES ET D'AUTRES ARTICLES CONNEXES.

LA DURÉE DE TOUTE GARANTIE IMPLICITE APPLICABLE À UN PRODUIT SERA LIMITÉE À LA DURÉE DES GARANTIES EXPRESSES APPLICABLES À CE PRODUIT, COMME INDIQUÉ AU PREMIER PARAGRAPHE CI-DESSUS. COMME CERTAINS ÉTATS AUX ÉTATS-UNIS ET CERTAINES PROVINCES AU CANADA NE PERMETTENT PAS DE LIMITATIONS DE LA DURÉE D'UNE GARANTIE IMPLICITE, LA LIMITATION CI-DESSUS NE S'APPLIQUE PEUT-ÊTRE PAS À VOUS.

LE VENDEUR NE SERA EN AUCUN CAS RESPONSABLE POUR TOUS DOMMAGES INDIRECTS OU SECONDAIRES (Y COMPRIS, MAIS SANS LIMITATION, LA RESPONSABILITÉ AU TITRE DE LA PERTE DE BÉNÉFICES) RÉSULTANT DE LA VENTE OU DE L'EMPLOI DE CE PRODUIT. COMME CERTAINS ÉTATS AUX ÉTATS-UNIS ET CERTAINES PROVINCES AU CANADA NE PERMETTENT PAS L'EXCLUSION OU LA LIMITATION DE LA RESPONSABILITÉ POUR DOMMAGES INDIRECTS OU SECONDAIRES, LA LIMITATION CI-DESSUS NE S'APPLIQUE PEUT-ÊTRE PAS À VOUS.

CETTE GARANTIE LIMITÉE VOUS CONFÈRE DES GARANTIES JURIDIQUES PARTICULIÈRES, ET VOUS POUVEZ AUSSI AVOIR D'AUTRES DROITS, QUI VARIENT D'UN ÉTAT À L'AUTRE AUX ÉTATS-UNIS, D'UNE PROVINCE À L'AUTRE AU CANADA OU D'UN PAYS À L'AUTRE.

CETTE GARANTIE LIMITÉE NE S'APPLIQUE QU'AUX PRODUITS VENDUS AUX ÉTATS-UNIS D'AMÉRIQUE, AU CANADA ET À PORTO RICO. CONTACTEZ VOTRE DISTRIBUTEUR OU IMPORTATEUR LOCAL SKIL POUR OBTENIR DES INFORMATIONS SUR LA COUVERTURE DE LA GARANTIE DANS LES AUTRES PAYS.

© Chervon North America, 1203 E. Warrenville Rd, Naperville, IL 60563 (É.-U.).

SÍMBOLOS DE SEGURIDAD

El fin de los símbolos de seguridad es alertarlo sobre posibles peligros. Los símbolos de seguridad y las explicaciones que se dan merecen su atención y comprensión cuidadosa. Las advertencias del símbolo no eliminan por sí mismas ningún peligro. Las instrucciones y las advertencias no sustituyen las medidas adecuadas de prevención de accidentes.

⚠ ADVERTENCIA Asegúrese de leer y de comprender todas las instrucciones de seguridad que se incluyen en este manual del propietario, incluidos todos los símbolos de alerta de seguridad, tales como "PELIGRO", "ADVERTENCIA" y "PRECAUCIÓN" antes de usar esta herramienta. Si no se siguen todas las instrucciones que figuran a continuación, se pueden producir electrocuciones, incendios y lesiones.

Las definiciones que se ofrecen a continuación describen el nivel de gravedad de cada símbolo. Lea el manual y preste atención a dichos símbolos.



Este es el símbolo de advertencia de seguridad. Se utiliza para advertirlo de los peligros de posibles lesiones personales. Cumpla con todos los mensajes de seguridad a continuación de este símbolo para evitar posibles lesiones o consecuencias fatales.



PELIGRO indica una situación de peligro que, de no evitarse, ocasionará la muerte o lesiones graves.



ADVERTENCIA indica una situación potencialmente peligrosa que, de no evitarse, puede ocasionar la muerte o lesiones graves.



PRECAUCIÓN, se usa con el símbolo de advertencia de seguridad e indica una situación peligrosa que, de no evitarse, puede causar lesiones menores o moderadas.

Mensajes de prevención de daños e información

Estos entregan al usuario información importante o instrucciones que, si no se siguen, podrían ocasionar daños al equipo o a la propiedad. Cada mensaje está precedido por la palabra "AVISO", como en el siguiente ejemplo:



Si no se siguen estas instrucciones se pueden producir daños al equipo o la propiedad.



Durante el funcionamiento de cualquier herramienta eléctrica, pueden entrar objetos extraños a los ojos y causar graves daños oculares. Use siempre lentes o gafas de seguridad con protecciones laterales y, cuando sea necesario, un protector facial que cubra todo el rostro antes de comenzar a operar una herramienta eléctrica. Recomendamos usar una máscara de seguridad de visión amplia sobre los lentes o las gafas de seguridad estándar con protección lateral. Siempre use lentes de protección que cumplan con la norma ANSI Z87.1.

ÍNDICE

Advertencias generales de seguridad de la máquina	43-45
Instrucciones de seguridad importantes	45-46
Símbolos	47-49
Conozca su aspiradora delgada	50
Especificaciones	51
Instrucciones de utilización	52-56
Mantenimiento	57
Resolución de problemas	58
Garantía Limitada de Herramientas de Consumo SKIL	59-60

⚠ ADVERTENCIA El taladrado, el aserrado, el lijado o el maquinado de productos de madera puede exponerlo a usted a polvo de madera, una sustancia que el Estado de California sabe que causa cáncer. Evite inhalar polvo de madera o utilice una máscara u otras salvaguardas de protección personal. Para obtener más información, visite www.P65Warnings.ca.gov/wood.

⚠ ADVERTENCIA Parte del polvo causado por el lijado eléctrico, el serruchado, la trituración, el taladrado y otras actividades de construcción contiene sustancias químicas reconocidas por el estado de California como causantes de cáncer, defectos congénitos u otros daños en el aparato reproductivo. Algunos ejemplos de estos productos químicos son:

- Plomo de pinturas a base de plomo.
- Sílice cristalina de ladrillos, cemento y otros productos de mampostería.
- Arsénico y cromo de madera tratada con químicos.

El riesgo que corre debido a la exposición a estos químicos varía según la frecuencia con que realiza este tipo de trabajo. Para reducir la exposición a estos productos químicos:

- Trabaje en un área bien ventilada.
- Trabaje con equipo de seguridad aprobado, como las mascarillas antipolvo especialmente diseñadas para filtrar partículas microscópicas.
- Evite estar en contacto prolongado con el polvo provocado por el lijado, el aserrado, la trituración y el taladrado, y otras actividades de construcción. Use ropa protectora y lave todas las áreas expuestas del cuerpo con agua y jabón. Si se le introduce polvo en la boca o en los ojos, o le queda sobre la piel, puede fomentar la absorción de químicos dañinos.

ADVERTENCIAS GENERALES DE SEGURIDAD DE LA MÁQUINA

⚠ ADVERTENCIA Lea todas las advertencias, instrucciones, ilustraciones y especificaciones de seguridad proporcionadas con esta máquina. No seguir todas las instrucciones enumeradas a continuación puede provocar una descarga eléctrica, un incendio y/o lesiones graves.

GUARDE TODAS LAS ADVERTENCIAS E INSTRUCCIONES PARA FUTURAS CONSULTAS.

El término “máquina” en las advertencias se refiere a su máquina alimentada por red eléctrica (con cable) o a batería (inalámbrica).

Seguridad en la zona de trabajo

Mantenga la zona de trabajo limpia y bien iluminada. Los lugares desordenados u oscuros propician accidentes.

No utilice las máquinas en atmósferas explosivas, como en presencia de líquidos, gases o polvos inflamables. Las máquinas crean chispas que pueden inflamar el polvo o los humos.

Mantenga alejados a los niños y a otras personas mientras utiliza la máquina. Las distracciones pueden hacerle perder el control.

Seguridad eléctrica

Los enchufes de la máquina deben coincidir con la toma de corriente. No modifique nunca el enchufe de ninguna manera. No utilice enchufes adaptadores con máquinas conectadas a tierra. Los enchufes no modificados y las tomas de corriente adecuadas reducirán el riesgo de descarga eléctrica.

Evite el contacto del cuerpo con superficies conectadas a tierra, como tuberías, radiadores, estufas y refrigeradoras. Existe un mayor riesgo de descarga eléctrica si su cuerpo está conectado a tierra.

No exponga la máquina a la lluvia o a la humedad. La entrada de agua en la máquina puede aumentar el riesgo de descarga eléctrica.

No maltrate el cable. No utilice nunca el cable para transportar, jalar o desenchufar la máquina. Mantenga el cable alejado del calor, el aceite, los bordes afilados o las piezas móviles. Los cables dañados o enredados aumentan el riesgo de descarga eléctrica.

Cuando utilice la máquina al aire libre, utilice un cable alargador adecuado para uso en exteriores. El uso de un cable adecuado para exteriores reduce el riesgo de descarga eléctrica.

Si no puede evitar utilizar la máquina en un lugar húmedo, utilice un suministro protegido por un interruptor de circuito de fallo a tierra (GFCI). El uso de un GFCI reduce el riesgo de descarga eléctrica.

Seguridad personal

Manténgase alerta, observe lo que hace y utilice el sentido común cuando opere la máquina. No utilice la máquina bajo los efectos de drogas, alcohol o medicamentos. Un momento de distracción mientras se utilizan máquinas puede provocar lesiones personales graves.

Utilice equipo de protección personal. Utilice siempre protección para los ojos. El equipo de protección, como una máscara contra el polvo, calzado de seguridad antideslizante, casco o protección auditiva, utilizados en las condiciones adecuadas, reducirá las lesiones personales.

Evite el arranque involuntario. Asegúrese de que el interruptor esté en la posición de apagado antes de conectarlo a la fuente de alimentación y/o al paquete de baterías, levantar o transportar la máquina. Transportar máquinas con el dedo en el interruptor o activar máquinas que tienen el interruptor encendido invita a sufrir accidentes.

Retire cualquier llave de ajuste o llave inglesa antes de encender la máquina. Si se deja una llave inglesa o una llave fija en una pieza giratoria de la máquina, pueden producirse lesiones personales.

No se estire demasiado. Mantenga la postura y el equilibrio en todo momento. Esto permite un mejor control de la máquina en situaciones inesperadas.

Use indumentaria adecuada. No lleve ropa suelta ni joyas. Mantenga el cabello, la ropa y los guantes alejados de las piezas móviles. La ropa suelta, las joyas o el cabello largo pueden quedar atrapados en las piezas móviles.

Si se han previsto dispositivos para la conexión de instalaciones de aspiración y captación de polvo, asegúrese de que estén conectados y se utilicen correctamente. El uso de la captación de polvo puede reducir los riesgos relacionados con el polvo.

No deje que la familiaridad adquirida por el uso frecuente de las máquinas le permita volverse complaciente e ignorar los principios de seguridad de las máquinas. Una acción descuidada puede causar lesiones graves en una fracción de segundo.

Uso y cuidado de la máquina

No fuerce la máquina. Utilice la máquina adecuada para su aplicación. La máquina correcta hará el trabajo mejor y de forma más segura al ritmo para el que fue diseñada.

No utilice la máquina si el interruptor no la enciende y apaga. Cualquier máquina que no pueda controlarse con el interruptor es peligrosa y debe repararse.

Desconecte el enchufe de la fuente de alimentación y/o retire el paquete de baterías, si es desmontable, de la máquina antes de realizar cualquier ajuste, cambiar accesorios o almacenar las máquinas. Estas medidas preventivas de seguridad reducen el riesgo de puesta en marcha accidental de la máquina.

Guarde las máquinas inactivas fuera del alcance de los niños y no permita que las manejen personas que no estén familiarizadas con la máquina o con estas instrucciones. Las máquinas son peligrosas en manos de usuarios sin formación.

Mantenga las máquinas y los accesorios. Compruebe si las piezas móviles están desalineadas o atascadas, si hay piezas rotas o cualquier otra condición que pueda afectar al funcionamiento de la máquina. Si está dañada, haga reparar la máquina antes de utilizarla. Muchos accidentes se deben a máquinas mal mantenidas.

Mantenga las máquinas de corte afiladas y limpias. Las máquinas de corte con un mantenimiento adecuado y bordes de corte afilados tienen menos probabilidades de atascarse y son más fáciles de controlar.

Utilice la máquina, los accesorios y las brocas, etc., de acuerdo con estas instrucciones, teniendo en cuenta las condiciones de trabajo y el trabajo a realizar. El uso de la máquina para operaciones distintas de las previstas puede provocar una situación peligrosa.

Mantenga los mangos y las superficies de agarre secos, limpios y sin aceite ni grasa. Los mangos y superficies de agarre resbaladizas no permiten un manejo y control seguros de la máquina en situaciones inesperadas.

Uso y cuidado de la máquina a batería.

Recargue sólo con el cargador especificado por el fabricante. Un cargador adecuado para un tipo de batería puede crear riesgo de incendio si se utiliza con otro tipo de batería.

Utilice las máquinas sólo con los paquetes de baterías específicamente designados. El uso de cualquier otra batería puede crear un riesgo de lesiones e incendio.

Cuando la batería no esté en uso, manténgala alejada de otros objetos metálicos,

como clips, monedas, llaves, clavos, tornillos u otros objetos metálicos pequeños, que puedan hacer conexión de un terminal a otro. Un cortocircuito entre los terminales de la batería puede provocar quemaduras o un incendio.

En condiciones abusivas, puede salir líquido de la batería; evite el contacto. En caso de contacto accidental, lavar con agua. Si el líquido entra en contacto con los ojos, busque además ayuda médica. El líquido expulsado por la batería puede provocar irritaciones o quemaduras.

No utilice baterías o máquinas dañadas o modificadas. Las baterías dañadas o modificadas pueden mostrar un comportamiento impredecible con el consiguiente riesgo de incendio, explosión o lesiones.

No exponga la batería ni la máquina al fuego ni a temperaturas excesivas. La exposición al fuego o a temperaturas superiores a 130 °C (265 °F) puede provocar una explosión.

Siga todas las instrucciones de carga y no cargue la batería ni la máquina fuera del intervalo de temperatura especificado en las instrucciones. Una carga inadecuada o a temperaturas fuera del rango especificado puede dañar la batería y aumentar el riesgo de incendio.

Servicio

Encargue el mantenimiento de su máquina a un técnico calificado que utilice únicamente piezas de repuesto idénticas. Esto garantizará que se mantenga la seguridad de la máquina.

Nunca realice mantenimiento a paquetes de baterías dañados. El mantenimiento de las baterías sólo debe ser realizado por el fabricante o por un servicio técnico autorizado.

INSTRUCCIONES DE SEGURIDAD IMPORTANTES

Al utilizar un aparato eléctrico, deben seguirse siempre unas precauciones básicas, entre las que se incluyen las siguientes:

LEA TODAS LAS INSTRUCCIONES ANTES DE UTILIZAR (ESTA MÁQUINA)

Para reducir el riesgo de incendio, descarga eléctrica o lesiones:

No utilizar para aspirar sustancias o polvos peligrosos o tóxicos, por ejemplo, amianto. El filtro no es capaz de capturar todas las partículas peligrosas, que pueden causar riesgos para la salud.

Para reducir el riesgo de descarga eléctrica - No exponer a la lluvia. Almacenar en el interior.

Sólo para uso doméstico.

No permita que la máquina se utilice como juguete. Es necesario prestar mucha atención cuando la utilicen niños o estén cerca de ellos.

Utilícelo sólo como se describe en este manual. Utilice únicamente los accesorios recomendados por el fabricante.

No introduzca ningún objeto en las aberturas. No la utilice con aberturas bloqueadas; mantenga las aberturas libres de polvo, pelusas, pelos y cualquier cosa que pueda reducir el flujo de aire.

Mantenga el pelo, la ropa suelta, los dedos y todas las partes del cuerpo alejados de las aberturas y de las piezas móviles. La ropa suelta, las joyas o el pelo largo pueden introducirse en las rejillas de ventilación.

Tenga especial cuidado al limpiar en escaleras.

No manipule el cargador, incluido el enchufe del cargador, ni los terminales del cargador con las manos mojadas.

No cargue la batería al aire libre.

Utilice únicamente el cargador suministrado por el fabricante para recargar.

No incinere la máquina aunque esté gravemente dañada. Las baterías pueden explotar en caso de incendio.

No deje la máquina desatendida cuando la batería esté insertada. Retire la batería cuando la máquina no esté en uso y antes de repararla.

Mantenga la máquina y su mango secos, limpios y sin aceite ni grasa. Utilice siempre un paño limpio para la limpieza. No utilice nunca líquido de frenos, gasolina, productos derivados del petróleo ni disolventes fuertes para limpiar la máquina. Seguir esta norma reducirá el riesgo de pérdida de control y deterioro del plástico de la carcasa.

Utilice equipo de seguridad. Siempre use protección para los ojos con protectores laterales marcados para cumplir con ANSI Z87.1 junto con protección para los oídos cuando opere este equipo. Los anteojos de uso diario sólo tienen lentes resistentes a los impactos. NO son anteojos de seguridad. Seguir esta norma reducirá el riesgo de lesiones oculares.

Proteja sus pulmones. Si la operación es polvorienta, lleve también una careta antipolvo. El cumplimiento de esta norma reducirá el riesgo de lesiones personales graves.

Proteja su audición. Utilice protección auditiva durante períodos prolongados de funcionamiento. El cumplimiento de esta norma reducirá el riesgo de lesiones personales graves.

Las baterías pueden explotar en presencia de una fuente de ignición, como una luz piloto. Para reducir el riesgo de lesiones personales graves, no utilice nunca ningún producto inalámbrico en presencia de una llama desnuda. Una batería que explota puede propulsar residuos y productos químicos. En caso de exposición, lavar inmediatamente con agua.

No la utilice sin bolsa de polvo y/o filtros en su lugar.









No la utilice para recoger líquidos inflamables o combustibles, como gasolina, ni la utilice en zonas donde puedan estar presentes.



Para reducir el riesgo de peligros para la salud por vapores o polvo, nunca aspire productos químicos, fertilizantes o cualquier otra sustancia tóxica.

Conserve estas instrucciones. Consúltelas con frecuencia y utilícelas para instruir a otras personas que puedan usar este producto. Si presta esta máquina a otra persona, preste también estas instrucciones para evitar un mal uso del producto y posibles lesiones.

SÍMBOLOS

IMPORTANTE: Algunos de los símbolos siguientes pueden utilizarse en su herramienta. Estúdielos y aprenda su significado. La correcta interpretación de estos símbolos le permitirá manejar la herramienta mejor y con mayor seguridad.

Símbolo	Nombre	Denominación/Explicación
V	Voltios	Tensión (potencial)
A	Amperios	Corriente
Hz	Hertz	Frecuencia (ciclos por segundo)
W	Vatios	Encendido
kg	Kilogramos	Peso
min	Minutos	Tiempo
s	Segundos	Tiempo
Wh	Vatios por hora	Capacidad de la batería
Ah	Amperios por hora	Capacidad de la batería
∅	Diámetro	Tamaño de las brocas, ruedas de amolar, etc.
n_0	Velocidad sin carga	Velocidad de rotación en vacío
n	Velocidad nominal	Velocidad máxima alcanzable
.../min	Revoluciones o reciprocidad por minuto	Revoluciones, carreras, velocidad de superficie, órbitas, etc. por minuto
0	Posición de apagado	Velocidad cero, par de fuerzas cero...
1,2,3,... I,II,III,	Ajustes del selector	Ajustes de velocidad, par o posición. Un número mayor significa mayor velocidad
	Selector infinito con desconexión	La velocidad aumenta desde la posición 0
	Flecha	Acción en el sentido de la flecha
	Corriente alterna	Tipo o característica de corriente
	Corriente continua	Tipo o característica de corriente
	Corriente alterna o continua	Tipo o característica de corriente
	Herramienta de clase II	Designa las herramientas de construcción con doble aislamiento.
	Terminal de tierra	Terminal de tierra
	Junta Li-ion RBRC	Designa un programa de reciclaje de baterías de iones de litio

Símbolo	Nombre	Denominación/Explicación
	<p>Leer los símbolos del manual</p>	<p>Avisa al usuario para que lea el manual</p>
	<p>Símbolo de uso de protección ocular</p>	<p>Alerta al usuario para que use protección ocular.</p>

SÍMBOLOS (INFORMACIÓN DE CERTIFICACIÓN)

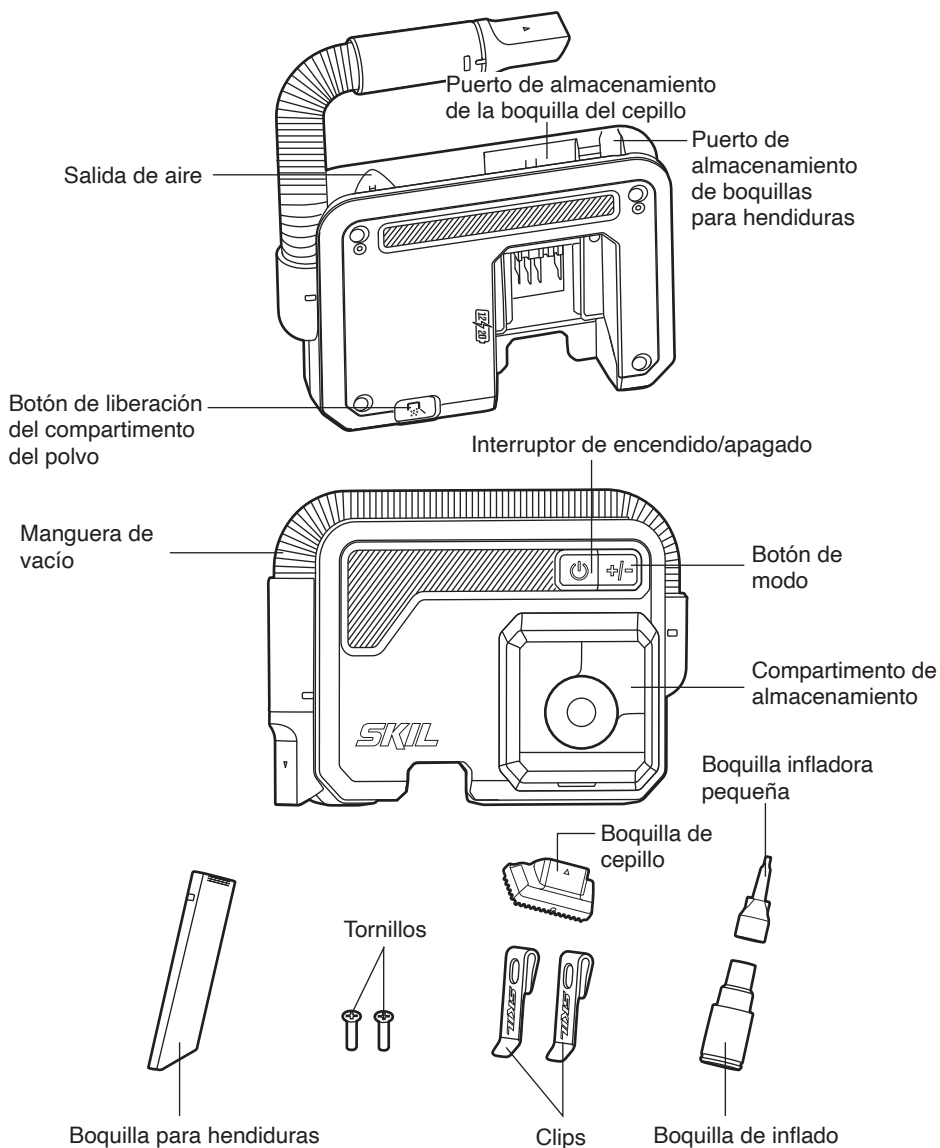
IMPORTANTE: Algunos de los siguientes símbolos de información de certificación pueden utilizarse en su herramienta. Estúdielos y aprenda su significado. La correcta interpretación de estos símbolos le permitirá manejar la herramienta mejor y con mayor seguridad.

Símbolo	Denominación/Explicación
	Este símbolo indica que esta herramienta está registrada por Underwriters Laboratories.
	Este símbolo designa que este componente está reconocido por Underwriters Laboratories.
	Este símbolo indica que esta herramienta está registrada por Underwriters Laboratories, según las normas estadounidenses y canadienses.
	Este símbolo indica que esta herramienta está registrada por la Canadian Standards Association.
	Este símbolo indica que esta herramienta está registrada por la Canadian Standards Association, según las normas estadounidenses y canadienses.
	Este símbolo indica que esta herramienta está registrada por Intertek Testing Services, según las normas estadounidenses y canadienses.
	Este símbolo indica que esta máquina está registrada por SGS Testing Services, según las normas estadounidenses y canadienses.

CONOZCA SU ASPIRADORA DELGADA

Aspiradora delgada sin escobillas multivoltios de 12/20 V

Fig. 1



ESPECIFICACIONES

Tensión nominal	12V CC/ 20V CC
Velocidad del motor	100.000 RPM
Volumen del depósito de polvo	0,05 Gal (0,2 L)
Caudal máximo	17 CFM (500 L/min)
Máxima potencia de aspiración	15 kPa
Máxima potencia de aire	30 W
Temperatura de funcionamiento recomendada	23 – 104 °F (-5 – 40 °C)
Temperatura de almacenamiento recomendada	32 – 104 °F (0 – 40 °C)

INSTRUCCIONES DE OPERACIÓN

⚠ ADVERTENCIA Para reducir el riesgo de incendio, lesiones personales y daños al producto debido a un cortocircuito, nunca sumerja la máquina, el paquete de baterías o el cargador en líquido ni permita que el líquido fluya dentro de ellos. Los líquidos corrosivos o conductores, como el agua de mar, ciertos productos químicos industriales y blanqueadores o los productos que contienen blanqueadores, etc., pueden provocar un cortocircuito.

⚠ ADVERTENCIA Si alguna pieza está dañada o falta, no opere este producto hasta que se reemplacen las piezas. El uso de este producto con piezas dañadas o faltantes podría provocar lesiones personales graves.

⚠ ADVERTENCIA No intente modificar esta máquina ni crear accesorios no recomendados para su uso con esta máquina. Cualquier alteración o modificación de este tipo constituye un uso indebido y podría provocar una situación de peligro con posibles lesiones graves.

⚠ ADVERTENCIA Para evitar un arranque accidental que podría causar lesiones personales graves, retire siempre el paquete de baterías de la máquina cuando monte piezas, realice ajustes, limpie o cuando no esté en uso.

⚠ ADVERTENCIA No permita que la familiaridad con este producto lo haga ser descuidado. Recuerde que una fracción de segundo por descuido es suficiente para causar lesiones graves.

Esta aspiradora delgada debe usarse únicamente con los paquetes de baterías y cargadores que se enumeran a continuación:

Batería		Cargador
12V	SKIL BY500101 (2Ah) SKIL BY519901 (2Ah) SKIL BY5020A-00 (2Ah) SKIL BY519801 (4Ah) SKIL BY5040A-00 (4Ah)	SKIL QC535701 SKIL SC536501
20V	SKIL BY519701 (2Ah) SKIL BY519702 (2Ah) SKIL BY5100B-00 (2Ah) SKIL BY519703 (2.5Ah) SKIL BY519601 (4Ah) SKIL BY5140B-00 (4Ah) SKIL BY519603 (5Ah)	SKIL SC535801 SKIL QC536001 SKIL QC5359B-02 SKIL SC5358B-02 SKIL SC0030B-00

AVISO Consulte los manuales de la batería y del cargador para obtener instrucciones detalladas de funcionamiento y seguridad.

Cómo colocar/retirar la batería (Fig. 2)

Cómo colocar la batería:

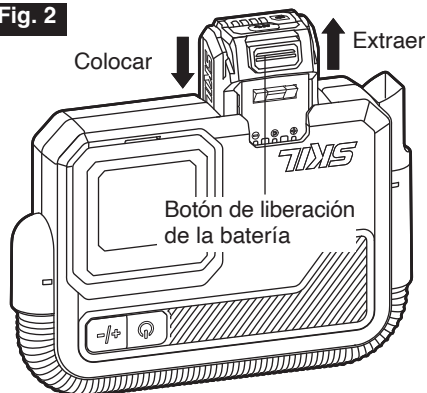
Alinee la nervadura en relieve de la batería con las ranuras del compartimento de la batería y, a continuación, deslice la batería en el compartimento.

AVISO Cuando coloque la batería, asegúrese de que el nervio en relieve de la batería está alineado con la ranura del interior del compartimento de la batería y de que los pestillos encajan correctamente. Una fijación incorrecta de la batería puede dañar los componentes internos.

Cómo retirar la batería:

Presione el botón de liberación de la batería situado en la parte frontal de la batería para liberarla. Saque la batería y retírela de la aspiradora.

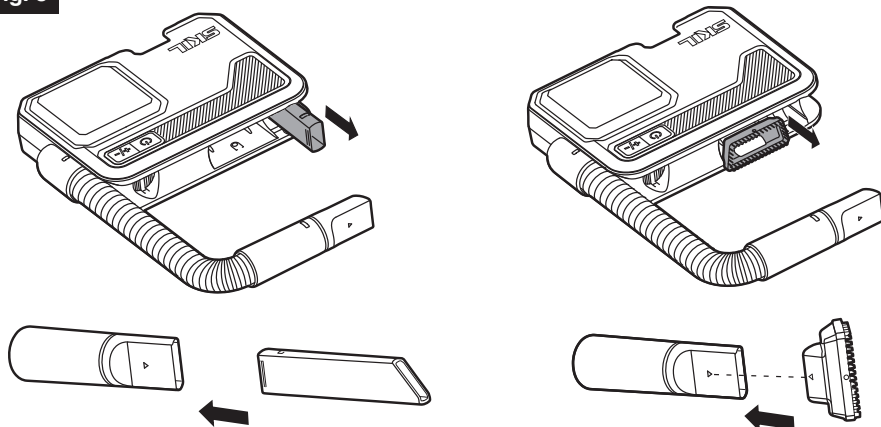
Fig. 2



Instalación del cepillo/boquilla para hendiduras (Fig. 3)

Retire la boquilla deseada de su puerto de almacenamiento y conéctela al extremo de la manguera de aspiración empujándola hasta que encaje en su sitio.

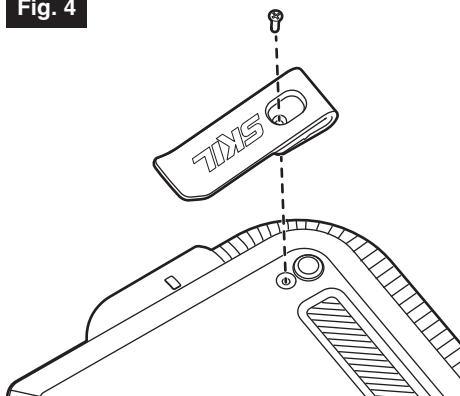
Fig. 3



Instalación de los clips (Fig. 4)

- Alinee el orificio de uno de los dos clips con el orificio roscado de la parte posterior de la aspiradora.
- Inserte el tornillo y apriételo firmemente con un destornillador de Phillips (no incluido).
- Repita estos pasos con el otro clip.

Fig. 4



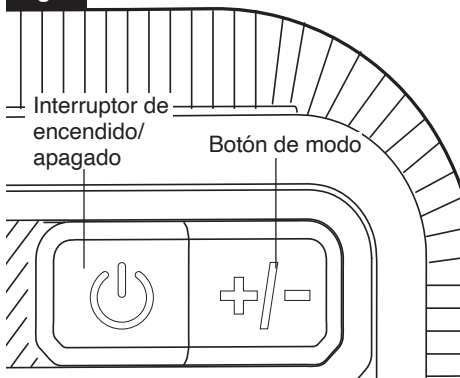
Para poner en funcionamiento/parar la aspiradora (Fig. 5)

Presione el interruptor de encendido/apagado para poner en marcha la aspiradora. Al presionar el interruptor por primera vez, la aspiradora funcionará a alta velocidad.

Presione el botón de modo para cambiar la aspiradora entre los modos de alta y baja velocidad.

Vuelva a presionar el interruptor de encendido/apagado para apagar la aspiradora.

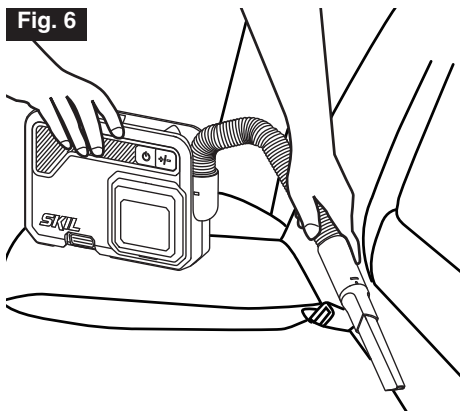
Fig. 5



Utilización de la aspiradora (Fig. 6)

- Conecte la batería a la aspiradora.
- Presione el interruptor de encendido/apagado para ponerla en funcionamiento.
- Presione el botón de modo para activar el modo de velocidad deseado.
- Desplace la boquilla hacia delante y hacia atrás sobre la superficie a limpiar.
- Vuelva a presionar el interruptor de encendido/apagado para detener la aspiradora.
- Cómo retirar la batería.
- Presione el botón de liberación del compartimento de polvo y, a continuación, vacíe su contenido. Si es necesario, limpie el conjunto del filtro.

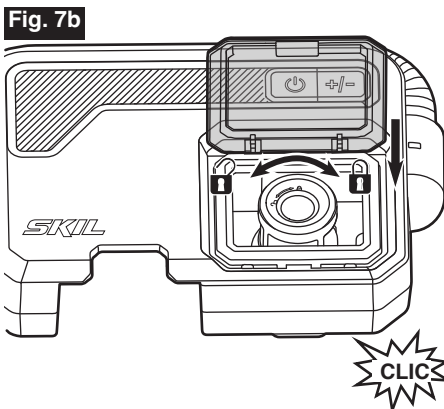
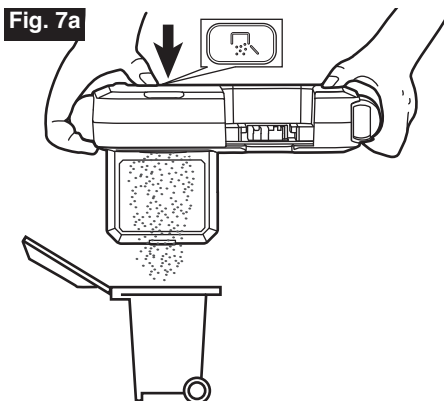
Fig. 6



Limpeza del compartimento del polvo (Fig. 7a - 7b)

Para mantener un rendimiento óptimo de la aspiradora, vacíe y limpie el compartimento del polvo después de cada uso.

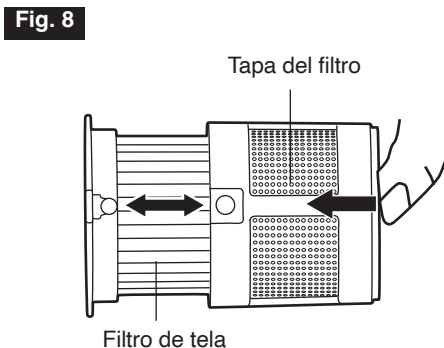
- Presione el botón de liberación del compartimento del polvo para abrirlo.
- Gire el conjunto del filtro en sentido antihorario para retirarlo.
- Sacuda o golpee suavemente el compartimento para el polvo sobre un contenedor de residuos adecuado. En caso necesario, limpie el compartimento de polvo con un paño húmedo.
- En caso necesario, limpie el conjunto del filtro (consulte el capítulo “**Limpeza del conjunto del filtro**”).
- Para volver a instalar el conjunto del filtro, gírelo en el sentido de las agujas del reloj hasta que oiga un “CLIC”, asegurándose de bloquearlo en su sitio.



Limpeza del conjunto del filtro (Fig. 8)

Para mantener el mejor rendimiento de su aspiradora, limpie el conjunto del filtro con regularidad.

- Retire el conjunto del filtro del compartimento de polvo (consulte el capítulo “**Limpeza del compartimento de polvo**”).
- Presione firmemente en la parte superior de la cubierta del filtro para empujar el filtro de tela fuera de la cubierta del filtro.
- Cepille la cubierta del filtro con un cepillo suave. Si es necesario, puede lavar la cubierta del filtro.
- Lave el filtro de tela con agua corriente.
- Deje que el filtro de tela y la cubierta del filtro se sequen completamente antes de volver a armarlos para evitar la formación de moho.
- Vuelva a armar el filtro en orden inverso,



AVISO Si el conjunto del filtro tiene daños o pequeños agujeros, reemplácelo inmediatamente.

⚠ ADVERTENCIA Asegúrese de que el conjunto del filtro esté seco y en su sitio al rearmarlo. La penetración de líquidos puede aumentar el riesgo de incendio.

Instalación de las boquillas de inflado (Fig. 9a - 9b)

Esta aspiradora también puede funcionar como inflador.

Boquilla de inflado:

Inserte el extremo más ancho de la boquilla del inflador en la salida de aire de la aspiradora y conecte el extremo más estrecho en la entrada de aire de un objeto inflable (Fig. 9a).

Boquilla infladora pequeña:

- Introduzca el extremo más ancho de la boquilla infladora en la salida de aire de la aspiradora y el otro extremo en la boquilla infladora pequeña (fig. 9b).
- Inserte la punta de la boquilla pequeña del inflador en la entrada de aire de un objeto inflable.

Fig. 9a

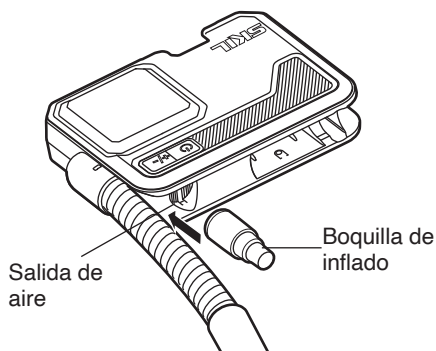
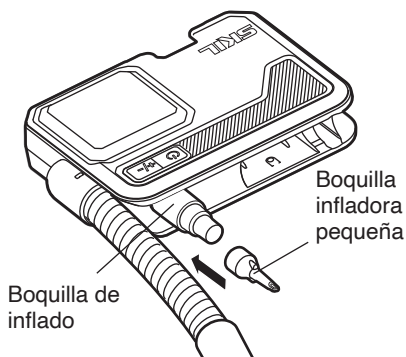


Fig. 9b



MANTENIMIENTO

⚠ ADVERTENCIA Para evitar lesiones personales graves, retire siempre la batería de la aspiradora al limpiar o realizar cualquier mantenimiento.

Servicio

⚠ ADVERTENCIA El mantenimiento preventivo realizado por personal no autorizado puede dar lugar a la colocación incorrecta de cables y componentes internos, lo que podría causar un peligro grave. Recomendamos que todo el servicio sea realizado por un centro de servicio de fábrica SKIL o una estación de servicio SKIL autorizada.

Mantenimiento general

⚠ ADVERTENCIA Al realizar el mantenimiento, utilice únicamente piezas de repuesto idénticas. El uso de cualquier otra pieza podría crear un peligro o causar daños al producto. Inspeccione periódicamente toda la herramienta en busca de piezas dañadas, faltantes o sueltas, como tornillos, tuercas, pernos, tapas, etc. Apriete firmemente todas las fijaciones y tapas y no utilice este producto hasta que todas las piezas faltantes o dañadas hayan sido sustituidas. Póngase en contacto con el servicio de atención al cliente o con un centro de servicio autorizado para obtener ayuda.

Limpieza

La mejor forma de limpiar la aspiradora es con aire seco comprimido.

⚠ ADVERTENCIA Utilice siempre anteojos de seguridad al limpiar herramientas con aire comprimido. Las aberturas de ventilación y las palancas de los interruptores deben mantenerse limpias y libres de materias extrañas. No intente limpiar introduciendo objetos puntiagudos por las aberturas.

⚠ ADVERTENCIA Algunos productos de limpieza y disolventes dañan las piezas de plástico. Algunos de ellos son: gasolina, tetracloruro de carbono, disolventes de limpieza clorados, amoníaco y detergentes domésticos que contienen amoníaco.

Almacenamiento

Guarde la aspiradora en el interior, en un lugar inaccesible para los niños. Mantener alejada de agentes corrosivos.

SOLUCIÓN DE PROBLEMAS

Problema	Causa	Solución
La aspiradora no funciona.	<ol style="list-style-type: none">1. La carga de la batería está agotada.2. La batería no está instalada correctamente.	<ol style="list-style-type: none">1. Cargue la batería.2. Confirme que la batería está insertada y fijada a la aspiradora.
Succión disminuida.	<ol style="list-style-type: none">1. El compartimento del polvo está lleno.2. El filtro de tela está obstruido.3. La manguera de la aspiradora está obstruida.	<ol style="list-style-type: none">1. Vacíe el compartimento del polvo.2. Limpie o sustituya el filtro de tela.3. Desatasque la manguera de la aspiradora. Enderezar la manguera de la aspiradora también ayudará a aumentar la succión.
La aspiradora se calienta.	Motor en marcha.	Es normal que la temperatura de la aspiradora aumente durante el funcionamiento.
La aspiradora funciona pero el polvo del compartimento no gira.	La entrada de polvo del compartimento de polvo está bloqueada por un objeto grande.	Retire a tiempo los objetos grandes del compartimento de polvo.
La aspiradora falla al inflar un objeto hinchable.	La boquilla de inflado y/o la boquilla de inflado pequeña no están bien insertadas.	Vuelva a instalar e inserte firmemente la(s) boquilla(s) de inflado.

GARANTÍA LIMITADA PARA HERRAMIENTAS DE CONSUMO SKIL

GARANTÍA LIMITADA DE 5 AÑOS

Chervon North America, Inc. (el "Vendedor") garantiza, solamente al comprador original, que todas las HERRAMIENTAS de consumo SKIL estarán libres de defectos de material o de fabricación por un período de cinco años a partir de la fecha de compra, si el comprador original registra el producto dentro del plazo de 30 días después de su compra. LAS BATERÍAS Y LOS CARGADORES están garantizados por 2 años. El registro del producto se puede completar en línea en www.Registermyskil.com. Los compradores originales deberán también retener su recibo como comprobante de compra. EL PERÍODO DE GARANTÍA DE CINCO AÑOS PARA LAS HERRAMIENTAS ESTÁ CONDICIONADO AL REGISTRO DEL PRODUCTO DENTRO DEL PLAZO DE 30 DÍAS DESPUÉS DE SU COMPRA. Si los compradores originales no registran su producto dentro del plazo establecido, la garantía limitada que antecede se aplicará con una duración de tres años para las herramientas. Todas las baterías y todos los cargadores permanecerán bajo la garantía limitada de dos años.

Con independencia de lo anterior, si una herramienta de consumo SKIL se utiliza para fines industriales, profesionales o comerciales, la garantía que antecede se aplicará con una duración de noventa días, independientemente de que se haya registrado.

LA OBLIGACIÓN EXCLUSIVA DEL VENDEDOR Y EL RECURSO EXCLUSIVO QUE USTED TIENE bajo esta Garantía Limitada y, hasta donde la ley lo permita, cualquier garantía o condición implícita por ley, consistirán en la reparación o el reemplazo de las piezas, sin cargo, que presenten defectos de material o de fabricación y que no hayan sido utilizadas incorrectamente, manejadas descuidadamente o reparadas por personas que no sean el Vendedor o una Estación de Servicio Autorizada. Para presentar un reclamo bajo esta Garantía Limitada, usted debe devolver el producto completo, con el transporte prepagado, a cualquier Centro de Servicio de Fábrica o Estación de Servicio Autorizada SKIL. Para localizar las Estaciones de Servicio de Herramientas Eléctricas SKIL Autorizadas, sírvase visitar www.Registermyskil.com o llamar al 1-877-SKIL-999 (1-877-754-5999).

ESTA GARANTÍA LIMITADA NO SE APLICA A ARTÍCULOS ACCESORIOS, TALES COMO HOJAS DE SIERRA CIRCULAR, BROCAS TALADRADORAS, BROCAS DE FRESADORA, HOJAS DE SIERRA CALADORA, CORREAS DE LIJAR, DISCOS DE AMOLAR Y OTROS ARTÍCULOS RELACIONADOS.

TODAS LAS GARANTÍAS IMPLÍCITAS APLICABLES A UN PRODUCTO ESTARÁN LIMITADAS EN DURACIÓN A LA MISMA DURACIÓN QUE TENGAN LAS GARANTÍAS EXPRESAS APLICABLES A DICHO PRODUCTO, TAL COMO SE ESTABLECE EN EL PRIMER PÁRRAFO QUE ANTECEDE. ALGUNOS ESTADOS DE LOS EE.UU. Y ALGUNAS PROVINCIAS CANADIENSES NO PERMITEN LIMITACIONES EN CUANTO A LA DURACIÓN DE UNA GARANTÍA IMPLÍCITA, POR LO QUE ES POSIBLE QUE LA LIMITACIÓN QUE ANTECEDE NO TENGA APLICACIÓN EN EL CASO DE USTED.

EL VENDEDOR NO SERÁ RESPONSABLE EN NINGÚN CASO POR DAÑOS INCIDENTALES O EMERGENTES (INCLUYENDO PERO SIN ESTAR LIMITADOS A RESPONSABILIDAD POR PÉRDIDA DE UTILIDADES) QUE SURJAN DE LA VENTA O EL USO DE ESTE PRODUCTO. ALGUNOS ESTADOS DE LOS EE.UU. Y ALGUNAS PROVINCIAS CANADIENSES NO PERMITEN LA EXCLUSIÓN NI LA LIMITACIÓN DE LOS DAÑOS INCIDENTALES O EMERGENTES, POR LO QUE ES POSIBLE QUE LA LIMITACIÓN O EXCLUSIÓN QUE ANTECEDE NO TENGA APLICACIÓN EN EL CASO DE USTED.

ESTA GARANTÍA LIMITADA LE CONFIERE A USTED DERECHOS LEGALES ESPECÍFICOS Y ES POSIBLE QUE USTED TENGA TAMBIÉN OTROS DERECHOS QUE VARÍAN DE UN ESTADO A OTRO EN LOS EE.UU., DE UNA PROVINCIA A OTRA EN CANADÁ Y DE UN PAÍS A OTRO.

ESTA GARANTÍA LIMITADA SE APLICA SOLAMENTE A LOS PRODUCTOS VENDIDOS EN LOS ESTADOS UNIDOS DE AMÉRICA, CANADÁ Y EL ESTADO LIBRE ASOCIADO DE PUERTO RICO. PARA OBTENER COBERTURA DE GARANTÍA EN OTROS PAÍSES, CONTACTE A SU DISTRIBUIDOR O IMPORTADOR SKIL LOCAL.

© Chervon North America, 1203 E. Warrenville Rd, Naperville, IL 60563.