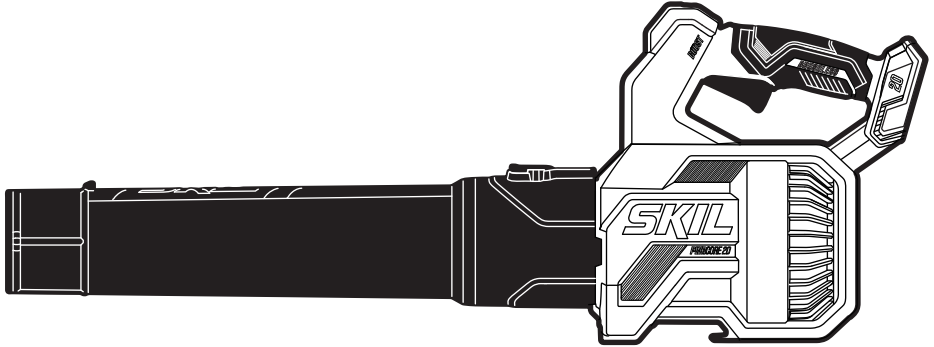


# SKIL®

Owner's Manual  
Guide d'utilisation  
Manual del propietario



Model/ Modèle / Modelo: BL0420B-00

## **Brushless 20V Leaf Blower** **Souffleuse de feuilles 20 V sans balais** **Soplador de hojas sin escobillas 20V**

**⚠ WARNING:** To reduce the risk of injury, the user must read and understand the Owner's Manual before using this product. Save these instructions for future reference.

**⚠ AVERTISSEMENT :** Afin de réduire les risques de blessure, l'utilisateur doit lire et comprendre le guide d'utilisation avant d'utiliser cet article. Conservez le présent guide afin de pouvoir le consulter ultérieurement.

**⚠ ADVERTENCIA :** Para reducir el riesgo de lesiones, el usuario debe leer y comprender el Manual del operador antes de utilizar este producto. Guarde estas instrucciones para consultarlas en caso sea necesario.




For Customer Service  
Pour le service à la clientèle  
Servicio al cliente

**1-877-SKIL-999 OR [www.skil.com](http://www.skil.com)**

# SAFETY SYMBOLS

The purpose of safety symbols is to attract your attention to possible dangers. The safety symbols and explanations with them deserve your careful attention and understanding. The symbol warnings do not, by themselves, eliminate any danger. The instructions and warnings they give are no substitutes for proper accident prevention measures.

**⚠ WARNING** Be sure to read and understand all safety instructions in this Owner's Manual, including all safety alert symbols such as "**DANGER**", "**WARNING**" and "**CAUTION**" before using this machine. Failure to follow all instructions listed below may result in electric shock, fire, and/or serious personal injury.

The definitions below describe the level of severity for each signal word. Please read the manual and pay attention to these symbols.	
	This is the safety alert symbol. It is used to alert you to potential personal injury hazards. Obey all safety messages that follow this symbol to avoid possible injury or death.
<b>⚠ DANGER</b>	DANGER indicates a hazardous situation which, if not avoided, will result in death or serious injury.
<b>⚠ WARNING</b>	WARNING indicates a hazardous situation which, if not avoided, could result in death or serious injury.
<b>⚠ CAUTION</b>	CAUTION, used with the safety alert symbol, indicates a hazardous situation which, if not avoided, will result in minor or moderate injury.

## Damage Prevention and Information Messages

These inform the user of important information and/or instructions that could lead to equipment or other property damage if they are not followed. Each message is preceded by the word "NOTICE", as in the example below:

**NOTICE** Equipment and/or property damage may result if these instructions are not followed.



**⚠ WARNING** The operation of any machines can result in foreign objects being thrown into your eyes, which can result in severe eye damage. Before beginning machine operation, always wear safety goggles or safety glasses with side shields and a full face shield when needed. We recommend a Wide Vision Safety Mask for use over eyeglasses or standard safety glasses with side shields. Always use eye protection which is marked to comply with ANSI Z87.1.

# TABLE OF CONTENTS

General Machine Safety Warnings.....	3-6
Safety Instructions for Blowers.....	6
Symbols.....	6-9
Get to Know Your Blower.....	10
Specifications.....	10
Assembly.....	11-12
Operating Instructions.....	13-15
Maintenance.....	16
Troubleshooting.....	17
Limited Warranty of SKIL Consumer Outdoor Power Equipment.....	18

# GENERAL MACHINE SAFETY WARNINGS



**READ ALL SAFETY WARNINGS, INSTRUCTIONS, ILLUSTRATIONS AND SPECIFICATIONS PROVIDED WITH THIS MACHINE.** Failure to

follow all instructions listed below may result in electric shock, fire and/or serious injury.

## SAVE ALL WARNINGS AND INSTRUCTIONS FOR FUTURE REFERENCE.

The term “machine” in the warnings refers to your mains-operated (corded) machine or battery-operated (cordless) machine.

### Work Area Safety

**Keep work area clean and well lit.** Cluttered or dark areas invite accidents.

**Do not operate machines in explosive atmospheres, such as in the presence of flammable liquids, gases or dust.** Machines create sparks, which may ignite the dust or fumes.

**Keep children and bystanders away while operating a machine.** Distractions can cause you to lose control.

### Electrical Safety

**Machine plugs must match the outlet. Never modify the plug in any way. Do not use any adaptor plugs with earthed (grounded) machines.** Unmodified plugs and matching outlets will reduce the risk of electric shock.

**Avoid body contact with earthed or grounded surfaces such as pipes, radiators, ranges and refrigerators.** There is an increased risk of electric shock if your body is earthed or grounded.

**Do not expose machines to rain or wet conditions.** Water entering a machine will increase the risk of electric shock.

**Do not abuse the cord. Never use the cord for carrying, pulling or unplugging the machine. Keep cord away from heat, oil, sharp edges or moving parts.** Damaged or entangled cords increase the risk of electric shock.

**When operating a machine outdoors, use an extension cord suitable for outdoor use.** Use of a cord suitable for outdoor use reduces the risk of electric shock.

**If operating a machine in a damp location is unavoidable, use a Ground Fault Circuit Interrupter (GFCI) protected supply.** Use of an GFCI reduces the risk of electric shock.

### Personal Safety

**Stay alert, watch what you are doing and use common sense when operating a machine. Do not use a machine while you are tired or under the influence of drugs, alcohol or medication.** A moment of inattention while operating machines may result in serious personal injury.

**Use personal protective equipment. Always wear eye protection.** Protective equipment such as a dust mask, non-skid safety shoes, hard hat or hearing protection used for appropriate conditions will reduce personal injuries.

**Prevent unintentional starting. Ensure the switch is in the off-position before connecting to power source and/or battery pack, picking up or carrying the machine.** Carrying machines with your finger on the switch or energizing machines that have the switch on invites accidents.

**Remove any adjusting key or wrench before turning the machine on.** A wrench or a key left attached to a rotating part of the machine may result in personal injury.

**Do not overreach. Keep proper footing and balance at all times.** This enables better control of the machine in unexpected situations.

**Dress properly. Do not wear loose clothing or jewelry. Keep your hair and clothing away from moving parts.** Loose clothes, jewelry or long hair can be caught in moving parts.

**If devices are provided for the connection of dust extraction and collection facilities, ensure that these are connected and properly used.** Use of dust collection can reduce dust-related hazards.

**Do not let familiarity gained from frequent use of machines allow you to become complacent and ignore machine safety principles.** A careless action can cause severe injury within a fraction of a second.

## **Machine Use and Care**

**Do not force the machine. Use the correct machine for your application.** The correct machine will do the job better and safer at the rate for which it was designed.

**Do not use the machine if the switch does not turn it on and off.** Any machine that cannot be controlled with the switch is dangerous and must be repaired.

**Disconnect the plug from the power source and/or remove the battery pack, if detachable, from the machine before making any adjustments, changing accessories, or storing machines.** Such preventive safety measures reduce the risk of starting the machine accidentally.

**Store idle machines out of the reach of children and do not allow persons unfamiliar with the machine or these instructions to operate the machine.** Machines are dangerous in the hands of untrained users.

**Maintain machines and accessories. Check for misalignment or binding of moving parts, breakage of parts and any other condition that may affect the machine's operation. If damaged, have the machine repaired before use.** Many accidents are caused by poorly maintained machines.

**Keep cutting machines sharp and clean.** Properly maintained cutting machines with sharp cutting edges are less likely to bind and are easier to control.

**Use the machine, accessories and machine bits etc. in accordance with these instructions, taking into account the working conditions and the work to be performed.** Use of the machine for operations different from those intended could result in a hazardous situation.

**Keep handles and grasping surfaces dry, clean and free from oil and grease.** Slippery handles and grasping surfaces do not allow for safe handling and control of the machine in unexpected situations.

## **Battery Machine Use and Care**

**Recharge only with the charger specified by the manufacturer.** A charger that is suitable for one type of battery pack may create a risk of fire when used with another battery pack.

**Use machines only with specifically designated battery packs.** Use of any other battery packs may create a risk of injury and fire.

**When battery pack is not in use, keep it away from other metal objects, like paper clips, coins, keys, nails, screws or other small metal objects, that can make a connection from one terminal to another.** Shorting the battery terminals together may cause burns or a fire.

**Under abusive conditions, liquid may be ejected from the battery; avoid contact. If contact accidentally occurs, flush with water. If liquid contacts eyes, additionally seek medical help.** Liquid ejected from the battery may cause irritation or burns.

**Do not use a battery pack or machine that is damaged or modified.** Damaged or modified batteries may exhibit unpredictable behavior resulting in fire, explosion or risk of injury.

**Do not expose a battery pack or machine to fire or excessive temperature.** Exposure to fire or temperature above 265 °F (130 °C) may cause explosion.

Follow all charging instructions and do not charge the battery pack or machine outside the temperature range specified in the instructions. Charging improperly or at temperatures outside the specified range may damage the battery and increase the risk of fire.

## Service

Have your machine serviced by a qualified repair person using only identical replacement parts. This will ensure that the safety of the machine is maintained.

Never service damaged battery packs. Service of battery packs should only be performed by the manufacturer or authorized service providers.

## SAFETY INSTRUCTIONS FOR BLOWERS

Do not use the machine in bad weather conditions, especially when there is a risk of lightning. This decreases the risk of being struck by lightning.

Wear eye protection and ear protection. Adequate protective equipment will reduce the risk of personal injury.

While operating the machine, always wear non-slip and protective footwear. Do not operate the machine when barefoot or wearing open sandals. This reduces the risk of injury to the feet.

Do not wear loose fitting clothing or articles such as scarves, strings, chains, ties, etc., that could get drawn into the air inlets. Tie back or cover long hair to make sure it does not get drawn into the air inlets. If any of these items are drawn into the air inlets, it can increase the risk of personal injury.

Keep bystanders away while operating the machine. Thrown debris can increase the risk of personal injury.

Never point the blower nozzle in the direction of people or pets or in the direction of windows. Use extra caution when blowing debris near solid objects, such as trees, automobiles and walls that can cause debris to ricochet. Thrown objects can damage property and increase the risk of personal injury.

Do not use the machine to blow anything that is burning or smoking, such as cigarettes, matches or hot ashes. These ignition sources may increase the risk of fire.

Do not touch the fan while still in motion. Turn off the machine and wait until the fan stops before removing any part that may give access to the fan. This reduces the risk of injury from moving parts.

When clearing jammed material or servicing the machine, make sure the power switch is off and the battery pack is removed. Unexpected starting of the machine while clearing jammed material or servicing may result in serious personal injury.

Thoroughly inspect the area for wildlife where the machine is to be used. Wildlife may be injured by the machine during operation.








Use only with battery packs and chargers listed below:






BATTERY PACK				CHARGER
2Ah	2.5Ah	4Ah	5Ah	SC535801 QC536001
BY519701 BY519702 BY5100B-00	BY519703	BY519601 BY5140B-00	BY519603	SC5358B-02 QC5359B-02 SC0030B-00

**NOTICE** Please refer to the battery and charger manuals for detailed safety and operating instructions.

# SYMBOLS

**IMPORTANT:** Some of the following symbols may be used on your machine. Please study them and learn their meaning. Proper interpretation of these symbols will allow you to operate the machine better and more safely.







Symbol	Name	Designation/Explanation
V	Volts	Voltage (potential)
A	Amperes	Current
Hz	Hertz	Frequency (cycles per second)
W	Watt	Power
kg	Kilograms	Weight
min	Minutes	Time
s	Seconds	Time
Wh	Watt-hours	Battery capacity
Ah	Ampere-Hours	Battery capacity
∅	Diameter	Size of drill bits, grinding wheels, etc.
$n_0$	No load speed	Rotational speed, at no load
n	Rated speed	Maximum attainable speed
.../min	Revolutions or reciprocation per minute	Revolutions, strokes, surface speed, orbits, etc. per minute
0	Off position	Zero speed, zero torque...
1,2,3,... I,II,III,	Selector settings	Speed, torque or position settings. Higher number means greater speed
IP...	Ingress Protection Degree	Classifies the degree of protection provided by an enclosure, for electrical equipment.
	Infinitely variable selector with off	Speed is increasing from 0 setting
	Arrow	Action in the direction of arrow
	Alternating current	Type or a characteristic of current
	Direct current	Type or a characteristic of current
	Alternating or direct current	Type or a characteristic of current
	Class II tool	Designates Double Insulated Construction tools.
	Earthing terminal	Grounding terminal

Symbol	Name	Designation/Explanation
	Li-ion RBRC seal	Designates Li-ion battery recycling program
	Read manual symbol	Alerts user to read manual
	Wear eye protection symbol	Always wear safety goggles or safety glasses with side shields and a full face shield when operating this product.
	Wear Ear Protection	Blower noise may damage your hearing. Always wear sound barriers (ear plugs or ear muffers) to protect your hearing.
	Keep Bystanders Away	Keep all bystanders away from the product during operation.



## SYMBOLS (CERTIFICATION INFORMATION)

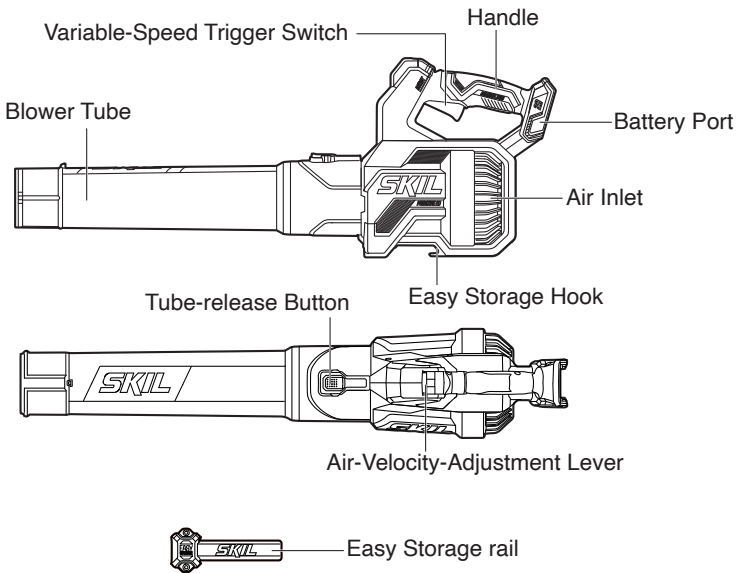
**IMPORTANT:** Some of the following symbols for certification information may be used on your machine. Please study them and learn their meaning. Proper interpretation of these symbols will allow you to operate the machine better and more safely.

Symbol	Designation/Explanation
	This symbol designates that this machine is listed by Underwriters Laboratories.
	This symbol designates that this component is recognized by Underwriters Laboratories.
	This symbol designates that this machine is listed by Underwriters Laboratories, to United States and Canadian Standards.
	This symbol designates that this machine is listed by the Canadian Standards Association.
	This symbol designates that this machine is listed by the Canadian Standards Association, to United States and Canadian Standards.
	This symbol designates that this machine is listed by the Intertek Testing Services, to United States and Canadian Standards.

# GET TO KNOW YOUR BLOWER

## 20V Blower

**Fig. 1**



## SPECIFICATIONS

Model No.	BL0420B-00
Rated Voltage	20V d.c.
Air Volume	Max. 420 CFM
Air Velocity	Max. 105 MPH
Recommended Operating Temperature	5 – 104°F (-15 – 40°C)
Recommended Storage Temperature	32 – 104°F (0 – 40°C)
Ingress Protection Rating	IPX4* (Protection from splashing water)

\* **NOTE:** IPX4 rating is based on the machine and battery being used together as a system.

## ASSEMBLY

**⚠ WARNING** If any parts are damaged or missing, do not operate this product until the parts are replaced. Use of this product with damaged or missing parts could result in serious personal injury.

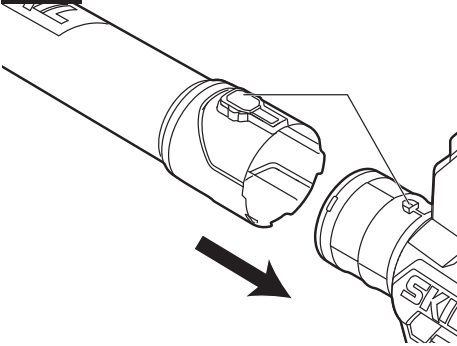
**⚠ WARNING** Do not attempt to modify this product or create accessories not recommended for use with this blower. Any such alteration or modification is misuse and could result in a hazardous condition leading to possibly serious personal injury.

### Assembling the Blower Tube

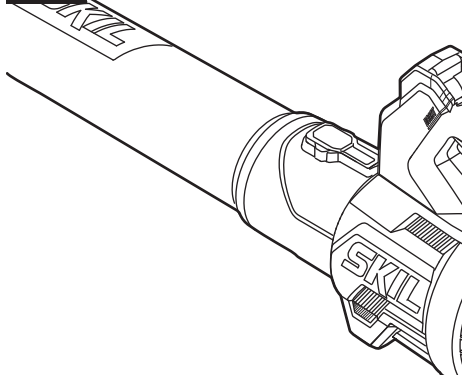
**⚠ WARNING** To prevent accidental starting that could cause serious personal injury, always remove the battery pack from the blower when assembling parts.

Align the groove in the tube with the knob on the blower housing. Push the tube onto the blower housing until the latch snaps into place (Fig. 2a, 2b).

**Fig. 2a**

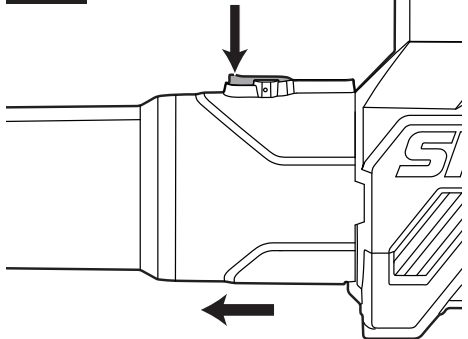


**Fig. 2b**



To remove the tube, press and hold the tube-release button to disengage the latch, then pull the tube straight from the blower (Fig. 3).

**Fig. 3**



## Attaching/Detaching Battery Pack (Fig. 4)

To attach the battery pack :

**⚠ WARNING** Battery machines are always in operating condition. Therefore, remove the battery when the machine is not in use or when carrying it at your side.

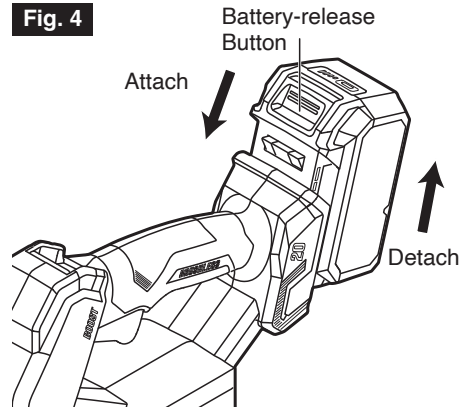
1. Align the ribs of the battery pack with the mounting slots in the blower's battery port.
2. Slide the battery pack into the battery port until it snaps into position.

**NOTICE** Make sure that the latch on the battery pack snaps into place and that the battery pack is secured to the machine before beginning operation.

### To detach the battery pack

Depress the battery-release button, located on the front of the battery pack, to release the battery pack. Pull the battery pack out and remove it from the machine.

1. Hold the battery pack in the palm of your hand.
2. Press the battery-release button with your thumb; the battery pack will disengage from the latch.
3. Grasp the battery pack and remove it from the machine.



# OPERATING INSTRUCTIONS

**⚠ WARNING** To reduce the risk of fire, personal injury, and product damage due to a short circuit, never immerse your machine, battery pack, or charger in fluid or allow a fluid to flow inside them. Corrosive or conductive fluids, such as seawater, certain industrial chemicals, bleach or bleach-containing products, etc. can cause a short circuit.

**⚠ WARNING** Do not use any attachments or accessories not recommended by the manufacturer of this product. The use of attachments or accessories not recommended can result in serious personal injury

**⚠ WARNING** Do not allow familiarity with this product to make you careless. Remember that a careless fraction of a second is sufficient to inflict serious injury.

**⚠ WARNING** Do not use any attachments or accessories not recommended by the manufacturer of this product. The use of attachments or accessories not recommended can result in serious personal injury.

**⚠ WARNING** Always wear eye protection with side shields marked to comply with ANSI Z87.1. Failure to do so could result in objects being thrown into your eyes.

**⚠ WARNING** Always wear hearing protection. Exposure to noise can contribute to hearing loss.

**⚠ WARNING** To prevent accidental starting that could cause serious personal injury, always remove the battery pack from the machine before performing maintenance or making adjustments.

## Before use :

- Inspect the entire product for damaged, missing, or loose parts, such as screws, nuts, bolts, caps, etc. Tighten securely all fasteners and caps and do not operate this product until all missing or damaged parts are replaced.
- This machine is intended to be used by the operator at ground level and not on ladders or any unstable support.
- If this machine appears to be excessive vibration, stop the machine and inspect it for damage.

## Application

You may use this product for the purposes listed below:

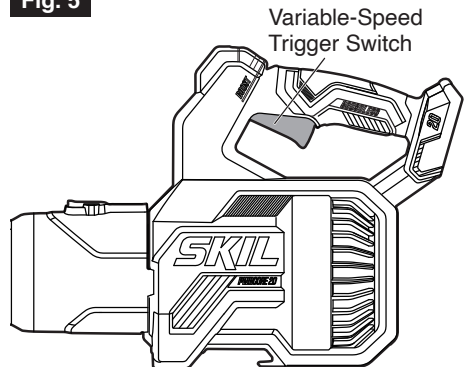
- Clearing hard surfaces such as driveways and walkways
- Keeping decks and driveways free from leaves and pine needles

## Starting/Stopping the Blower

With the Variable-Speed Trigger Switch (Fig. 5):

- Depress the variable-speed trigger switch to turn on the blower.
- The air speed of the blower is controlled with the variable-speed trigger switch. More pressure on the trigger results in higher blowing speeds; less pressure on the trigger results in lower blowing speeds. Adjust the speed to suit the task at hand.
- Release the variable-speed trigger switch to turn off the blower.

**Fig. 5**



### With the Air-Velocity Adjustment Lever:

- Start pulling the air-velocity adjustment lever backward (towards the handle) to turn on the blower without touching the trigger switch. (Fig. 6a)
- As the air-velocity adjustment lever is pulled backward, you will see that the variable-speed trigger switch is depressed, and the air speed is simultaneously increased.
- The air-velocity adjustment lever will stay in the position where you release it and keep the air speed without a need to press anything.
- **Boost mode:**

Your blower can only reach its maximum air velocity by pulling the air-velocity adjustment lever all the way backward to the "BOOST" position and holding it (Fig. 6b).

**NOTE:** The maximum speed cannot be reached by pressing the variable-speed trigger switch.

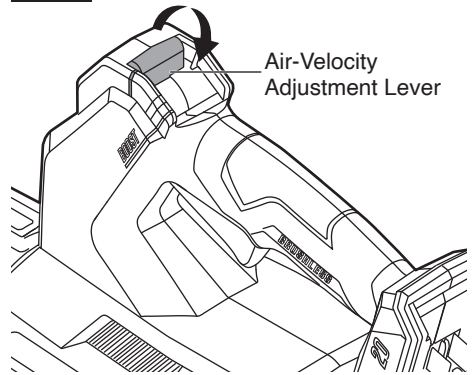
Release the air-velocity adjustment lever from the "BOOST" position, the lever will bounce back to the "TOP" position and the machine will return to the top air velocity that can be achieved by fully pressing the variable-speed trigger switch (Fig. 6c).

- Push the air-velocity adjustment lever all the way forward (towards the blower tube) to turn off the blower.

**NOTICE** The air-velocity adjustment lever must be always pushed all the way forward before turning off the blower.

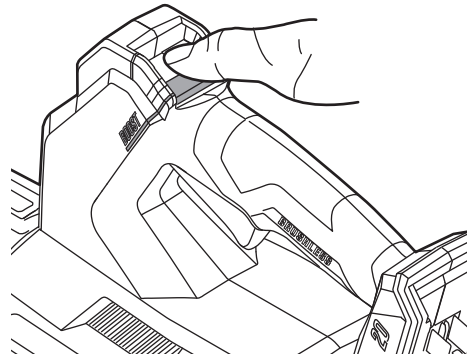
**⚠ WARNING** Always remove the battery pack from the blower during work breaks and after finishing work.

**Fig. 6a**

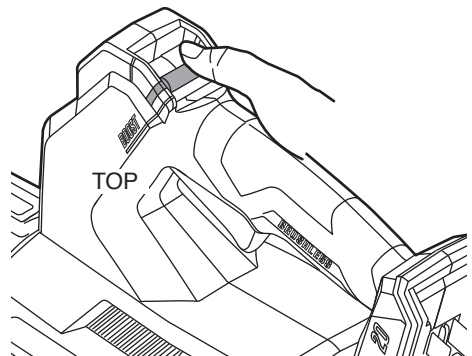


**Fig. 6b**

BOOST Mode



**Fig. 6c**



## Operating the Blower



**While working, always hold the machine firmly.**



**Keep any ventilation openings clear of debris.**

- To keep from scattering debris, blow around the outer edges of a debris pile. Never blow directly into the center of a pile.
- To reduce sound levels, limit the number of pieces of equipment used at any one time.
- Use rakes and brooms to loosen debris before blowing. In dusty conditions, slightly dampen surfaces if water is available.
- Conserve water by using power blowers instead of hoses for many lawn and garden applications, including areas such as gutters, screens, patios, grills, porches, and gardens.
- Watch out for children, pets, open windows, or freshly washed cars, and blow debris safely away.
- After using blowers or other equipment, clean up! Dispose of debris properly.

## MAINTENANCE

**⚠ WARNING** Before inspecting, cleaning or servicing the unit, stop the motor, wait for all moving parts to stop, and remove the battery pack. Failure to follow these instructions can result in serious personal injury or property damage.

**⚠ WARNING** When servicing, use only identical replacement parts. Use of any other parts can create a hazard or cause product damage.

Periodically inspect the entire product for damaged, missing, or loose parts such as screws, nuts, bolts, caps, etc. Tighten securely all fasteners and caps and do not operate this product until all missing or damaged parts are replaced. Please contact customer service or an authorized service center for assistance.

### Cleaning

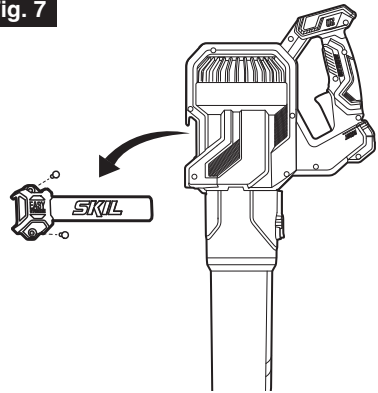
- Avoid using solvents when cleaning plastic parts. Most plastics are susceptible to damage from various types of commercial solvents and may be damaged by their use.
- Wipe the surface with a dry cloth to remove dirt, dust, oil, grease, etc.

**⚠ WARNING** Do not at any time let brake fluids, gasoline, petroleum-based products, penetrating oils, etc., come in contact with plastic parts. Chemicals can damage, weaken or destroy plastic which may result in serious personal injury.

### Storage

- Horizontally level and securely mount the easy storage rail onto a wall with 2 (#6x1") screws (not supplied). Hang the blower on the easy storage rail using the easy storage hook (Fig. 7).
- Clean all foreign material from the air inlets of the blower.
- Keep away from corrosive agents, such as garden chemicals and de-icing salts.
- Store the machine indoors in a dry and locked-up place, out of reach of children.
- Do not cover the machine with plastic (plastic may cause moisture with rust/corrosion as a result).

Fig. 7





## TROUBLESHOOTING

<b>Problem</b>	<b>Cause</b>	<b>Remedy</b>
Motor does not run.	The battery pack is not attached to the blower.	Attach the battery pack to the blower.
	No electrical contact between the blower and battery pack.	Remove battery pack, check contacts and reinstall the battery pack.
	The battery pack charge is depleted.	Charge the battery pack.
	The battery pack or blower is too hot.	Turn off the blower and remove the battery pack from the blower. Allow the battery or the blower to cool down.
The air speed is noticeably reduced.	Excessive wear of the motor fan.	Have the machine serviced by an Authorized SKIL Service Center or Service Station.
	The air inlet is blocked by debris.	Remove the battery pack and clear the debris.

# LIMITED WARRANTY OF SKIL CONSUMER OUTDOOR POWER EQUIPMENT

## 5 YEAR LIMITED WARRANTY - LEGAL

Chervon North America, Inc. ("Seller") warrants to the original purchaser only, that all SKIL consumer OUTDOOR POWER EQUIPMENT will be free from defects in material or workmanship for a period of five years from date of purchase, if original purchaser registers the product within 30 days from purchase. Product registration can be completed online at [www.Registermyskil.com](http://www.Registermyskil.com). Purchasers should also retain their receipt as proof of purchase. THE FIVE-YEAR WARRANTY PERIOD FOR TOOLS IS CONDITIONED ON REGISTRATION OF THE PRODUCT WITHIN 30 DAYS OF PURCHASE. If original purchasers do not register their product within 30 days of purchase, the foregoing limited warranty will apply for a duration of three years for outdoor power equipment. All batteries and chargers are warranted under the two-year limited warranty, regardless of registration.

Notwithstanding the foregoing, if a SKIL consumer tool is used for industrial, professional, or commercial purposes, the foregoing warranty will apply for a duration of ninety days, regardless of registration. SELLER'S SOLE OBLIGATION AND YOUR EXCLUSIVE REMEDY under this Limited Warranty and, to the extent permitted by law, any warranty or condition implied by law, shall be the repair or replacement of parts, without charge, which are defective in material or workmanship and which have not been misused, carelessly handled, or repaired by persons other than Seller or Authorized Service Station. To make a claim under this Limited Warranty, you must return the complete product, transportation prepaid, to any SKIL Factory Service Center or Authorized Service Station. For Authorized SKIL Power Tool Service Stations, please visit [www.Registermyskil.com](http://www.Registermyskil.com) or call 1-877-SKIL-999 (1-877-754-5999).

THIS LIMITED WARRANTY DOES NOT APPLY TO ROUTINE MAINTENANCE PARTS AND CONSUMABLES THAT CAN WEAR OUT FROM NORMAL USE WITHIN THE WARRANTY PERIOD, INCLUDING BLADES, TRIMMER HEADS, CHAIN BARS, SAW CHAINS, BELTS, SCRAPER BARS, AND BLOWER NOZZLES.

ANY IMPLIED WARRANTIES APPLICABLE TO A PRODUCT SHALL BE LIMITED IN DURATION EQUAL TO THE DURATION OF THE EXPRESS WARRANTIES APPLICABLE TO SUCH PRODUCT, AS SET FORTH IN THE FIRST PARAGRAPH ABOVE. SOME STATES IN THE U.S., SOME CANADIAN PROVINCES DO NOT ALLOW LIMITATIONS ON HOW LONG AN IMPLIED WARRANTY LASTS, SO THE ABOVE LIMITATION MAY NOT APPLY TO YOU.

THIS LIMITED WARRANTY DOES NOT COVER THE DAMAGE RESULTING FROM MODIFICATION, ALTERATION, OR UNAUTHORIZED REPAIR. IN NO EVENT SHALL SELLER BE LIABLE FOR ANY INCIDENTAL OR CONSEQUENTIAL DAMAGES (INCLUDING BUT NOT LIMITED TO LIABILITY FOR LOSS OF PROFITS) ARISING FROM THE SALE OR USE OF THIS PRODUCT. SOME STATES IN THE U.S. AND SOME CANADIAN PROVINCES DO NOT ALLOW THE EXCLUSION OR LIMITATION OF INCIDENTAL OR CONSEQUENTIAL DAMAGES, SO THE ABOVE LIMITATION OR EXCLUSION MAY NOT APPLY TO YOU.


THIS LIMITED WARRANTY GIVES YOU SPECIFIC LEGAL RIGHTS, AND YOU MAY ALSO HAVE OTHER RIGHTS WHICH VARY FROM STATE TO STATE IN THE U.S., PROVINCE TO PROVINCE IN CANADA AND FROM COUNTRY TO COUNTRY.

THIS LIMITED WARRANTY APPLIES ONLY TO PRODUCTS SOLD WITHIN THE UNITED STATES OF AMERICA, CANADA AND THE COMMONWEALTH OF PUERTO RICO. FOR WARRANTY COVERAGE WITHIN OTHER COUNTRIES, CONTACT YOUR LOCAL SKIL DEALER OR IMPORTER.

# SYMBOLES RELATIFS À LA SÉCURITÉ

L'objectif des symboles de sécurité est d'attirer votre attention sur les dangers potentiels. Vous devez examiner attentivement et bien comprendre les symboles de sécurité et les explications qui les accompagnent. Les symboles d'avertissement en tant que tels n'éliminent pas le danger. Les consignes et les avertissements qui y sont associés ne remplacent en aucun cas les mesures préventives adéquates.

**⚠ AVERTISSEMENT** Assurez-vous de lire et de comprendre toutes les consignes de sécurité présentées dans le présent guide d'utilisation, notamment toutes les consignes de sécurité indiquées par « **DANGER** », « **AVERTISSEMENT** » et « **MISE EN GARDE** » avant d'utiliser cet outil. Le fait de ne pas respecter toutes les consignes de sécurité ci-dessous peut causer un choc électrique, un incendie ou des blessures graves.

Les définitions ci-dessous décrivent le degré de gravité pour chaque mot-indicateur. Veuillez lire ce guide et prêter attention à ces symboles.	
	Voici le pictogramme d'alerte de sécurité. Il sert à vous indiquer les risques potentiels de blessures. Respectez toutes les consignes de sécurité associées à ce pictogramme pour éviter les risques de blessures ou de mort.
<b>⚠ DANGER</b>	DANGER indique un danger imminent qui, s'il n'est pas évité, causera des blessures graves ou la mort.
<b>⚠ AVERTISSEMENT</b>	AVERTISSEMENT indique un risque pouvant entraîner des blessures graves ou la mort s'il n'est pas prévenu.
<b>⚠ MISE EN GARDE</b>	MISE EN GARDE, utilisée avec le symbole d'alerte de sécurité, indique un risque potentiel qui, s'il n'est pas éliminé, provoquera des blessures mineures ou moyennement graves.

## Messages d'information et de prévention des dommages

Ces messages contiennent des renseignements importants à l'intention de l'utilisateur ainsi que des consignes à respecter. Le non-respect de celles-ci peut occasionner des dommages à l'équipement ou d'autres dommages matériels. Chaque message est précédé du mot « AVIS », comme dans l'exemple ci-dessous :

**AVIS** Ne pas suivre ces consignes pourrait occasionner des dommages à l'équipement ou d'autres dommages matériels.



**⚠ AVERTISSEMENT** L'utilisation de tout outil électrique peut entraîner la projection d'objets étrangers dans les yeux, ce qui peut provoquer de graves lésions oculaires. Avant de commencer à utiliser un outil électrique, portez toujours des lunettes de protection ou des lunettes de sécurité avec des écrans latéraux et un écran facial complet si nécessaire. Nous recommandons d'utiliser un masque de sécurité à large vision par-dessus des lunettes ou des lunettes de sécurité standard avec des écrans latéraux. Utilisez toujours une protection oculaire conforme à la norme ANSI Z87.1.

# TABLE DES MATIÈRES

<b>Avertissements généraux relatifs à la sécurité de la machine . . . . .</b>	<b>21-23</b>
<b>Instructions De Sécurité Spécifiques Aux Souffleuses. . . . .</b>	<b>24</b>
<b>Symboles . . . . .</b>	<b>25-27</b>
<b>Description de votre souffleuse. . . . .</b>	<b>28</b>
<b>Spécifications . . . . .</b>	<b>28</b>
<b>Assemblage . . . . .</b>	<b>29-30</b>
<b>Instructions d'utilisation. . . . .</b>	<b>31-33</b>
<b>Entretien. . . . .</b>	<b>34</b>
<b>Guide de dépannage. . . . .</b>	<b>35</b>
<b>Garantie limitée des équipements électriques d'extérieur pour les consommateurs de SKIL . . . . .</b>	<b>36</b>

# AVERTISSEMENTS GÉNÉRAUX DE SÉCURITÉ RELATIFS À LA MACHINE

**⚠ AVERTISSEMENT** LISEZ TOUS LES AVERTISSEMENTS DE SÉCURITÉ, LES INSTRUCTIONS, LES ILLUSTRATIONS ET LES SPÉCIFICATIONS FOURNIS AVEC CETTE MACHINE. Le non-respect de toutes les instructions énumérées ci-dessous peut entraîner un choc électrique, un incendie et/ou des blessures graves.

## CONSERVEZ TOUS LES AVERTISSEMENTS ET TOUTES LES INSTRUCTIONS POUR POUVOIR VOUS Y RÉFÉRER ULTÉRIEUREMENT.

Le terme « machine » dans les avertissements fait référence à votre machine fonctionnant sur secteur (avec fil) ou sur batterie (sans cordon).

### Sécurité de la zone de travail

**Gardez la zone de travail propre et bien éclairée.** Les zones encombrées ou sombres sont propices aux accidents.

**N'utilisez pas cette machine dans des atmosphères explosives, par exemple en présence de liquides, de gaz ou de poussières inflammables.** Les machines créent des étincelles qui peuvent enflammer les poussières ou les fumées.

**Éloignez les enfants et les passants lorsque vous utilisez une machine.** Les distractions peuvent vous faire perdre le contrôle.

### Sécurité électrique

**Les fiches de la machine doivent correspondre à la prise. Ne modifiez jamais la fiche de quelque manière que ce soit. N'utilisez pas de fiche d'adaptateur avec des machines mises à la terre.** Des fiches non modifiées et des prises de courant adaptées réduisent le risque de choc électrique.

**Évitez tout contact du corps avec des surfaces mises à la terre telles que les tuyaux, les radiateurs, les cuisinières et les réfrigérateurs.** Le risque de choc électrique est accru si votre corps est relié à la terre.

**N'exposez pas la machine à la pluie ou à l'humidité.** La pénétration d'eau dans la machine augmente le risque d'électrocution.

**Ne maltraitez pas le cordon. N'utilisez jamais le cordon pour porter, tirer ou débrancher la machine. Gardez le cordon éloigné de la chaleur, de l'huile, des bords tranchants ou des pièces mobiles.** Les cordons endommagés ou emmêlés augmentent le risque d'électrocution.

**Lorsque vous utilisez la machine à l'extérieur, utilisez une rallonge adaptée à cet usage.** L'utilisation d'un cordon adapté à une utilisation en extérieur réduit le risque de choc électrique.

**Si l'utilisation d'une machine dans un endroit humide est inévitable, utilisez une alimentation protégée par un disjoncteur de fuite à la terre (DDFT).** L'utilisation d'un disjoncteur de fuite à la terre réduit le risque d'électrocution.

### Sécurité personnelle

**Restez vigilant(e), regardez ce que vous faites et faites preuve de bon sens lorsque vous utilisez la machine. N'utilisez pas la machine si vous êtes fatigué(e) ou sous l'influence de drogues, d'alcool ou de médicaments.** Un moment d'inattention lors de l'utilisation de la machine peut entraîner des blessures graves.

**Utilisez un équipement de protection individuelle. Portez toujours des lunettes de protection.** Les équipements de protection tels qu'un masque anti-poussière, des chaussures de sécurité antidérapantes, un casque de sécurité ou des protections auditives utilisés dans des conditions appropriées réduiront les risques de blessures.

**Empêchez tout démarrage involontaire. Assurez-vous que l'interrupteur est en position d'arrêt avant de brancher la source d'alimentation et/ou la batterie, de prendre ou de transporter la machine.** Porter des machines avec le doigt sur l'interrupteur ou mettre sous tension des machines dont l'interrupteur est en position de marche est une source d'accidents.

**Retirez toute clé de réglage ou autre clé avant de mettre la machine en marche.** Une clé laissée sur une pièce rotative de la machine peut entraîner des blessures.

**Ne tentez pas d'atteindre un endroit trop éloigné avec la machine. Gardez toujours une bonne assise et un bon équilibre.** Cela permet de mieux contrôler la machine dans des situations inattendues.

**Habillez-vous correctement. Ne portez pas de vêtements amples ni de bijoux. Gardez vos cheveux et vos vêtements à l'écart des pièces mobiles.** Les vêtements amples, les bijoux ou les cheveux longs peuvent être happés par les pièces mobiles.

**Si des dispositifs sont fournis pour le raccordement d'installations d'extraction et de collecte des poussières, veillez à ce qu'ils soient raccordés et utilisés correctement.** L'utilisation d'un système de collecte des poussières peut réduire les risques liés à la poussière.

**Ne laissez pas la familiarité acquise grâce à l'utilisation fréquente des machines vous inciter à faire preuve de négligence et à ignorer les principes de sécurité des machines.** Un geste imprudent peut entraîner des blessures graves en une fraction de seconde.

## **Utilisation et entretien de la machine**

**Ne forcez pas la machine. Utilisez la machine adaptée à votre application.** Une machine appropriée effectuera le travail mieux et de manière plus sûre, à la vitesse pour laquelle elle a été conçue.

**N'utilisez pas la machine si l'interrupteur ne permet pas de la mettre en marche ou de l'arrêter.** Toute machine qui ne peut être contrôlée par l'interrupteur est dangereuse et doit être réparée.

**Débranchez la fiche de la source d'alimentation et/ou retirez la batterie, si elle est amovible, de la machine avant d'effectuer des réglages, de changer d'accessoires ou de ranger la machine.** Ces mesures de sécurité préventives réduisent le risque de démarrage accidentel de la machine.

**Rangez la machine non utilisée hors de portée des enfants et ne laissez pas des personnes non familiarisées avec la machine ou avec ces instructions utiliser la machine.** Les machines sont dangereuses entre les mains d'utilisateurs non formés.

**Entretenez les machines et les accessoires. Vérifiez que les pièces mobiles ne sont pas mal alignées ou coincées, que les pièces ne sont pas cassées et que rien n'affecte le fonctionnement de la machine. Si la machine est endommagée, faites-la réparer avant de l'utiliser.** De nombreux accidents sont causés par des machines mal entretenues.

**Veillez à ce que la machine de coupe soient bien affûtée et propre.** Les machines de découpe correctement entretenues et dotées de tranchants bien affûtés risquent moins de se gripper et sont plus faciles à contrôler.

**Utilisez la machine, les accessoires, les buses, etc. conformément à ces instructions, en tenant compte des conditions de travail et du travail à effectuer.** L'utilisation de la machine pour des opérations différentes de celles prévues pourrait entraîner une situation dangereuse.

**Gardez les poignées et les surfaces de préhension sèches, propres et exemptes d'huile et de graisse.** Les poignées et surfaces de préhension glissantes ne permettent pas une manipulation et un contrôle sûrs de la machine dans des situations inattendues.

## Utilisation et entretien de la machine à batterie

**Rechargez uniquement avec le chargeur spécifié par le fabricant.** Un chargeur adapté à un type de batterie peut créer un risque d'incendie lorsqu'il est utilisé avec un autre type de batterie.

**Utilisez la machine uniquement avec le bloc-batterie spécifiquement désigné.** L'utilisation de tout autre bloc-batterie peut entraîner un risque de blessure et d'incendie.

**Lorsque la batterie n'est pas utilisée, éloignez-la de tout autre objet métallique, comme les trombones, les pièces de monnaie, les clés, les clous, les vis ou d'autres petits objets métalliques, susceptibles d'établir une connexion d'une borne à une autre.** La mise en court-circuit des bornes de la batterie peut provoquer des brûlures ou un incendie.

**Dans des conditions abusives, du liquide peut être éjecté de la batterie ; évitez tout contact. En cas de contact accidentel, rincez à l'eau. Si le liquide entre en contact avec les yeux, consultez immédiatement un médecin.** Le liquide éjecté de la batterie peut provoquer des irritations ou des brûlures.

**N'utilisez pas une batterie ou un appareil endommagé ou modifié.** Les batteries endommagées ou modifiées peuvent présenter un comportement imprévisible entraînant un incendie, une explosion ou un risque de blessure.

**N'exposez pas la batterie ou la machine à un feu ou à une température excessive.** L'exposition au feu ou à une température supérieure à 130 °C (265 °F) peut provoquer une explosion.

**Suivez toutes les instructions de charge et ne chargez pas la batterie ou la machine en dehors de la plage de température spécifiée dans les instructions.** Une charge incorrecte ou à des températures en dehors de la plage spécifiée peut endommager la batterie et augmenter le risque d'incendie.

## Service

**Confiez l'entretien de votre machine à un réparateur qualifié qui n'utilisera que des pièces de rechange identiques.** Cela permettra de garantir la sécurité de la machine.

**Ne réparez jamais des batteries endommagées.** L'entretien des batteries ne doit être effectué que par le fabricant ou des prestataires de services agréés.

# INSTRUCTIONS DE SÉCURITÉ SPÉCIFIQUES AUX SOUFFLEURS

**N'utilisez pas la machine par mauvais temps, en particulier lorsqu'il y a un risque de foudre.** Cela diminue le risque d'être frappé par la foudre.

**Portez des lunettes de protection et des protections auditives.** Un équipement de protection adéquat réduira le risque de blessures.

**Lors de l'utilisation de la machine, portez toujours des chaussures antidérapantes et protectrices. N'utilisez pas la machine si vous êtes pieds nus ou si vous portez des sandales ouvertes.** Cela réduit le risque de blessures aux pieds.

**Ne portez pas de vêtements amples ou d'articles tels que des écharpes, des ficelles, des chaînes, des cravates, etc. qui pourraient être aspirés dans les entrées d'air.**

**Attachez les cheveux longs ou couvrez-les pour éviter qu'ils ne soient aspirés par les entrées d'air.** Si l'un de ces éléments est aspiré dans les entrées d'air, cela peut augmenter le risque de blessures.

**Gardez les passants éloignés pendant l'utilisation de la machine.** Les débris projetés peuvent augmenter le risque de blessures.

**Ne dirigez jamais la buse du souffleur en direction des personnes ou des animaux domestiques, ni en direction des fenêtres. Soyez particulièrement prudent(e) lorsque vous soufflez des débris à proximité d'objets solides, tels que des arbres, des automobiles et des murs qui peuvent faire ricocher les débris.** Les objets projetés peuvent endommager les biens et augmenter le risque de blessures.

**N'utilisez pas l'appareil pour souffler des objets brûlants ou fumants, tels que des cigarettes, des allumettes ou des cendres chaudes.** Ces sources d'inflammation peuvent augmenter le risque d'incendie.

**Ne touchez pas le ventilateur lorsqu'il est en mouvement. Éteignez la machine et attendez que le ventilateur s'arrête avant de retirer toute pièce pouvant donner accès au ventilateur.** Vous réduirez ainsi le risque de blessures causées par des pièces en mouvement.

**Lorsque vous éliminez un bourrage ou que vous procédez à l'entretien de la machine, assurez-vous que l'interrupteur d'alimentation est éteint et que la batterie est retirée.** Un démarrage inopiné de la machine lors de l'élimination d'un bourrage ou d'une opération d'entretien peut entraîner des blessures graves.

**Inspectez minutieusement la zone où la machine sera utilisée afin d'y déceler la présence d'animaux sauvages.** Les animaux sauvages peuvent être blessés par la machine pendant son fonctionnement.

**Utilisez uniquement les batteries et les chargeurs répertoriés ci-dessous :**

BATTERIE				CHARGEUR
2Ah	2.5Ah	4Ah	5Ah	SC535801 QC536001
BY519701 BY519702 BY5100B-00	BY519703	BY519601 BY5140B-00	BY519603	SC5358B-02 QC5359B-02 SC0030B-00















Veillez vous référer aux manuels de la batterie et du chargeur pour des instructions détaillées sur la sécurité et le fonctionnement.



# SYMBOLES







**IMPORTANT** : Certains des symboles suivants peuvent être utilisés sur votre machine. Veuillez les étudier et apprendre leur signification. Une interprétation correcte de ces symboles vous permettra d'utiliser la machine de manière plus efficace et plus sûre.

Symbole	Nom	Désignation / Explication
V	Volts	Tension (potentiel)
A	Ampères	Courant
Hz	Hertz	Fréquence (cycles par seconde)
W	Watts	Puissance
kg	Kilogrammes	Poids
min	Minutes	Durée
s	Secondes	Durée
Wh	Watt-heures	Capacité de la batterie
Ah	Ampères-heures	Capacité de la batterie
∅	Diamètre	Taille des mèches, des meules, etc.
$n_0$	Vitesse à vide	Vitesse rationnelle, sans charge
n	Vitesse nominale	Vitesse maximale atteignable
.../min	Nombre de tours ou de va-et-vient par minute	Révolutions, coups, vitesse de surface, orbites, etc., par minute
O	Position d'arrêt	Vitesse nulle, couple nul...
1,2,3,... I,II,III,	Paramètres du sélecteur	Réglages de la vitesse, du couple ou de la position. Un chiffre plus élevé signifie une plus grande vitesse
IP...	Degré de protection contre les infiltrations	Classifie le degré de protection fourni par une enceinte, pour l'équipement électrique.
	Sélecteur à variation infinie avec position d'arrêt	La vitesse augmente à partir du réglage 0
	Flèche	Action dans le sens de la flèche
	Courant alternatif	Type ou caractéristique du courant
	Courant continu	Type ou caractéristique du courant
	Courant alternatif ou continu	Type ou caractéristique du courant
	Outil de classe II	Désigne des outils de construction à double isolation.
	Borne de terre	Borne de mise à la terre

Symbole	Nom	Désignation / Explication
	Joint RBRC Li-ion	Désignation d'un programme de recyclage des batteries Li-ion
	Symbole de lecture du manuel	Signale à l'utilisateur qu'il doit lire le manuel
	Portez des lunettes de protection	Portez toujours des lunettes de sécurité ou des lunettes à écrans latéraux et un masque complet lorsque vous utilisez ce produit.
	Portez des protections auditives	Le bruit du souffleur peut endommager votre ouïe. Portez toujours des protections sonores (bouchons d'oreille ou silencieux) pour protéger votre ouïe.
	Tenez les autres personnes présentes suffisamment éloignées.	Tenez toutes les personnes présentes à l'écart du produit pendant son fonctionnement.

## SYMBOLES (INFORMATIONS SUR LA CERTIFICATION)

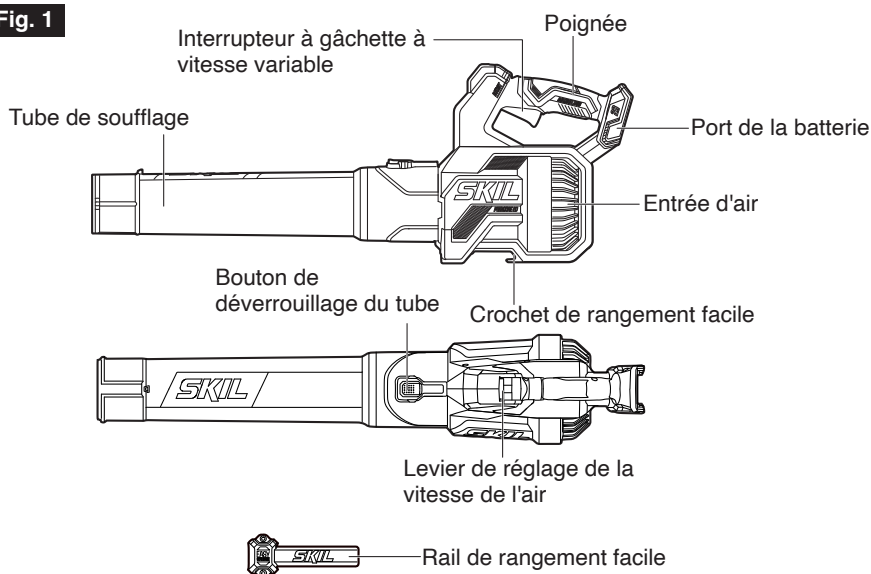
**IMPORTANT** : Certains des symboles suivants relatifs aux informations de certification peuvent être utilisés sur votre outil. Veuillez les étudier et apprendre leur signification. Une interprétation correcte de ces symboles vous permettra d'utiliser la machine de manière plus efficace et plus sûre.

Symbole	Désignation / Explication
	Ce symbole indique que cet outil est homologué par Underwriters Laboratories, conformément aux normes américaines et canadiennes.
	Ce symbole indique que ce composant est reconnu par Underwriters Laboratories.
	Ce symbole indique que cet outil est homologué par Underwriters Laboratories, conformément aux normes américaines et canadiennes.
	Ce symbole indique que cet outil est répertorié par l'Association canadienne de normalisation.
	Ce symbole indique que cet outil est répertorié par l'Association canadienne de normalisation, conformément aux normes américaines et canadiennes.
	Ce symbole indique que cet outil est homologué par Intertek Testing Services, conformément aux normes américaines et canadiennes.

# DESCRIPTION DE VOTRE SOUFFLEUR

## Souffleuse 20 V

Fig. 1



## SPÉCIFICATIONS

Numéro de modèle	BL0420B-00
Tension nominale	20V d.c.
Volume d'air	Max. 420 PCM
Vitesse de l'air	Max. 105 MI/H
Température de fonctionnement recommandée	5 – 104 °F (-15 – 40 °C)
Température de stockage recommandée	32 – 104 °F (0 – 40 °C)
Indice de protection contre les intrusions	IPX4* (Protection contre les projections d'eau)

\* **REMARQUE** : L'indice IPX4 est basé sur l'utilisation conjointe de la machine et de la batterie en tant que système.

## ASSEMBLAGE

### **⚠ AVERTISSEMENT**

Si des pièces sont endommagées ou manquantes, n'utilisez pas ce produit tant que les pièces n'ont pas été remplacées. L'utilisation de ce produit avec des pièces endommagées ou manquantes peut entraîner des blessures graves.

### **⚠ AVERTISSEMENT**

N'essayez pas de modifier ce produit ou de créer des accessoires dont l'utilisation n'est pas recommandée avec cette souffleuse. Toute altération ou modification de ce type constitue une mauvaise utilisation et peut entraîner des conditions dangereuses, voire des blessures graves.

## Assemblage du tube de soufflage

### **⚠ AVERTISSEMENT**

Pour éviter tout démarrage accidentel susceptible de provoquer des blessures graves, retirez toujours la batterie de la souffleuse lorsque vous assemblez des pièces.

Alignez la rainure du tube avec le bouton du boîtier de la soufflerie. Poussez le tube sur le boîtier de la souffleuse jusqu'à ce que le loquet s'enclenche (Fig. 2a, 2b).

Fig. 2a

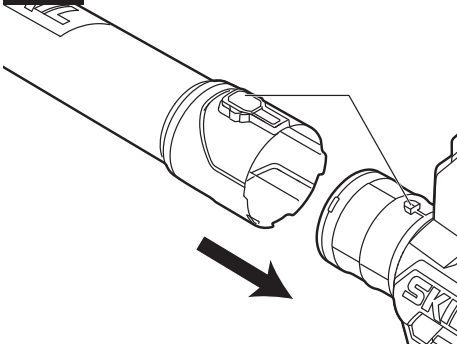
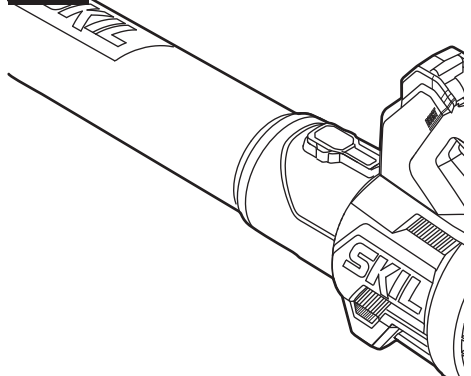
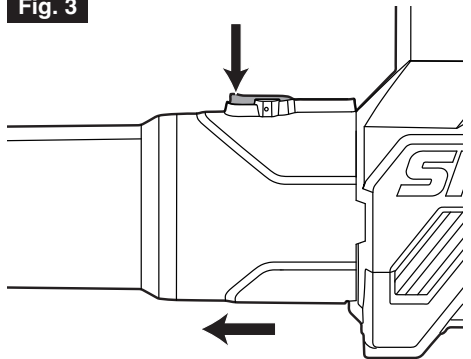


Fig. 2b



Pour retirer le tube, appuyez sur le bouton d'ouverture du tube et maintenez-le enfoncé pour désengager le loquet, puis tirez le tube tout droit hors de la souffleuse (Fig. 3).

Fig. 3



## Attache / retrait de la batterie (Fig. 4)

Pour attacher la batterie :

**⚠ AVERTISSEMENT** Les machines à batterie sont toujours en état de marche. Par conséquent, retirez la batterie lorsque vous n'utilisez pas l'appareil ou lorsque vous le portez à côté de vous.

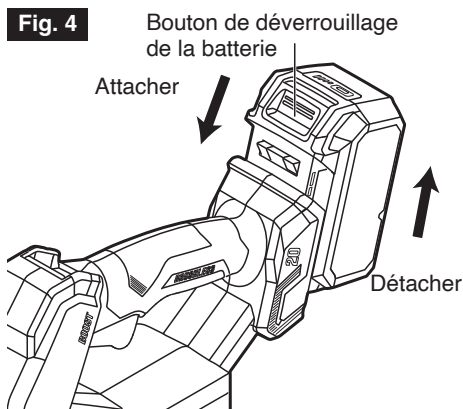
1. Alignez les nervures de la batterie sur les fentes de montage du port de la batterie de la souffleuse.
2. Faites glisser la batterie dans le port de la batterie jusqu'à ce qu'elle s'enclenche en position.

**AVIS** Assurez-vous que le loquet de la batterie s'enclenche et que la batterie est fixée à la machine avant de commencer à travailler.

Pour détacher la batterie :

Appuyez sur le bouton de déverrouillage de la batterie situé à l'avant de la batterie pour libérer cette dernière. Tirez sur la batterie et retirez-la de la machine.

1. Tenez la batterie dans la paume de votre main.
2. Appuyez sur le bouton de déverrouillage de la batterie avec votre pouce ; la batterie se dégagera du loquet.
3. Saisissez la batterie et retirez-la de la scie à chaîne.



# INSTRUCTIONS D'UTILISATION

**⚠ AVERTISSEMENT** Pour réduire les risques d'incendie, de blessures et de dommages au produit dus à un court-circuit, n'immergez jamais votre appareil, la batterie ou le chargeur dans un liquide et ne laissez jamais un liquide circuler à l'intérieur. Les liquides corrosifs ou conducteurs, tels que l'eau de mer, certains produits chimiques industriels, l'eau de Javel ou les produits contenant de l'eau de Javel, etc. peuvent provoquer un court-circuit.

**⚠ AVERTISSEMENT** N'utilisez pas d'équipements ou d'accessoires non recommandés par le fabricant de ce produit. L'utilisation d'un équipement ou d'accessoires non recommandés peut entraîner des blessures graves

**⚠ AVERTISSEMENT** Ne laissez pas la familiarité avec ce produit vous rendre négligent. Rappelez-vous qu'une fraction de seconde d'inattention suffit pour infliger des blessures graves.

**⚠ AVERTISSEMENT** N'utilisez pas d'équipements ou d'accessoires non recommandés par le fabricant de ce produit. L'utilisation d'un équipement ou d'accessoires non recommandés peut entraîner des blessures graves

**⚠ AVERTISSEMENT** Portez toujours une protection oculaire avec des écrans latéraux conformes à la norme ANSI Z87.1. Le non-respect de cette consigne peut causer des dommages dus à la projection d'objets dans vos yeux.

**⚠ AVERTISSEMENT** Portez toujours une protection auditive. L'exposition au bruit peut contribuer à la perte d'audition.

**⚠ AVERTISSEMENT** Pour éviter tout démarrage accidentel susceptible de provoquer des blessures graves, retirez toujours la batterie de la machine avant d'effectuer des opérations d'entretien ou de réglage.

## Avant l'utilisation :

- Inspectez périodiquement l'ensemble du produit pour vérifier qu'il n'y a pas de pièces endommagées, manquantes ou desserrées, telles que des vis, des écrous, des boulons, des capuchons, etc. Serrez fermement toutes les fixations et tous les capuchons et n'utilisez pas ce produit tant que toutes les pièces manquantes ou endommagées n'ont pas été remplacées.
- Cette machine est destinée à être utilisée par l'opérateur au niveau du sol et non sur des échelles ou tout autre support instable.
- Si cette machine semble présenter des vibrations excessives, arrêtez-la et inspectez-la pour ne pas l'endommager.

## Application

Vous pouvez utiliser ce produit aux fins énumérées ci-dessous :

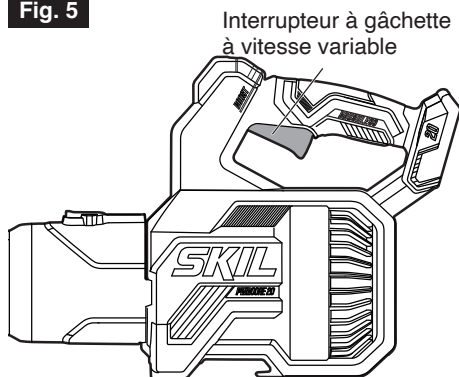
- Pour nettoyer les surfaces dures, telles que les allées et les trottoirs
- Pour garder les terrasses et les allées exemptes de feuilles et d'aiguilles de pin

## Démarrage / arrêt de la souffleuse

### Avec l'interrupteur à gâchette à vitesse variable (Fig. 5) :

- Appuyez sur la gâchette à vitesse variable pour mettre la souffleuse en marche.
- La vitesse d'air de la souffleuse est contrôlée par la gâchette à vitesse variable. Plus la pression sur la gâchette est forte, plus la vitesse de soufflage est élevée ; moins la pression est forte, plus la vitesse de soufflage est faible. Réglez la vitesse en fonction de la tâche à accomplir.
- Relâchez l'interrupteur à gâchette pour éteindre la souffleuse.

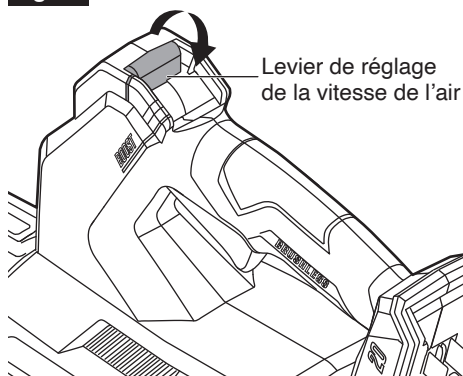
Fig. 5



### Avec le levier de réglage de la vitesse de l'air :

- Commencez à tirer le levier de réglage de la vitesse de l'air vers l'arrière (vers la poignée) pour mettre la souffleuse en marche sans toucher la gâchette (Fig. 6a).
- Lorsque le levier de réglage de la vitesse de l'air est tiré vers l'arrière, vous verrez que la gâchette de vitesse variable est enfoncée et que la vitesse de l'air est simultanément augmentée.
- Le levier de réglage de la vitesse de l'air restera dans la position où vous le relâchez et maintiendra la vitesse de l'air sans avoir besoin d'appuyer sur quoi que ce soit.

Fig. 6a

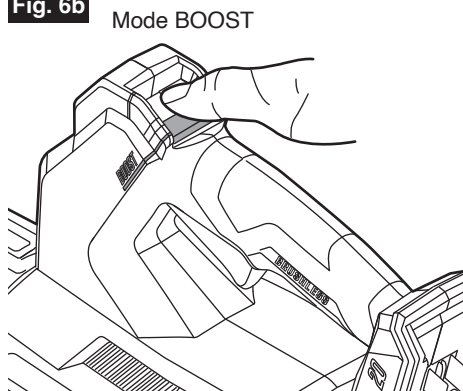


### Mode Boost (Amplification) :

Votre souffleuse ne peut atteindre sa vitesse d'air maximale qu'en tirant le levier de réglage de la vitesse de l'air à fond vers l'arrière jusqu'à la position « BOOST » et en le maintenant enfoncé (Fig. 6b).

**REMARQUE :** La vitesse maximale ne peut pas être atteinte en appuyant sur la gâchette à vitesse variable.

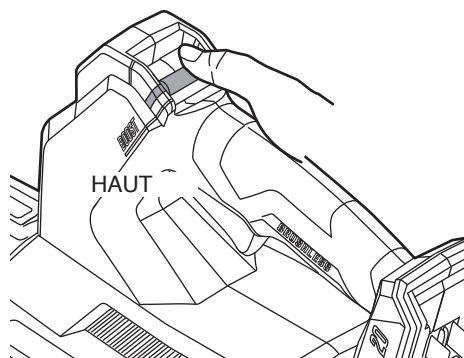
Fig. 6b





Relâchez le levier de réglage de la vitesse de l'air de la position « BOOST », le levier se remettra en position « HAUT » et la machine reviendra à la vitesse d'air maximale qui peut être obtenue en appuyant à fond sur la gâchette à vitesse variable (Fig. 6c).

**Fig. 6c**



- Poussez le levier de réglage de la vitesse de l'air à fond vers l'avant (vers le tube de soufflage) pour éteindre la souffleuse.

**AVIS** Le levier de réglage de la vitesse de l'air doit toujours être poussé à fond vers l'avant avant d'éteindre la souffleuse.

**AVERTISSEMENT** Retirez toujours la batterie de la souffleuse pendant les pauses et après avoir terminé le travail.

### Utilisation de la souffleuse

**AVERTISSEMENT** Pendant que vous travaillez, tenez toujours fermement la machine.

**AVERTISSEMENT** Gardez toutes les ouvertures de ventilation exemptes de débris.

- Pour éviter de disperser les débris, soufflez autour des bords extérieurs d'un tas de débris. Ne soufflez jamais directement au centre d'un tas.
- Pour réduire le niveau sonore, limitez le nombre d'équipements utilisés en même temps.
- Utilisez des râtaux et des balais pour dégager les débris avant de souffler. Dans des conditions poussiéreuses, humidifiez légèrement les surfaces si de l'eau est disponible.
- Conservez l'eau en utilisant une souffleuse électrique au lieu de tuyaux pour de nombreuses applications sur les pelouses et dans les jardins, y compris des zones telles que les gouttières, les écrans, les patios, les grilles, les porches et les jardins.
- Faites attention aux enfants, aux animaux domestiques, aux fenêtres ouvertes ou aux voitures fraîchement lavées, et soufflez les débris en toute sécurité.
- Après avoir utilisé la souffleuse ou tout autre équipement, nettoyez-la ! Éliminez les débris de manière appropriée.

## ENTRETIEN

**⚠ AVERTISSEMENT** Avant d'inspecter, de nettoyer ou d'entretenir l'appareil, arrêtez le moteur, attendez que toutes les pièces mobiles s'arrêtent et retirez la batterie. Le non-respect de ces instructions peut entraîner des blessures graves ou des dommages matériels.

**⚠ AVERTISSEMENT** Lors de l'entretien, utilisez uniquement des pièces de rechange identiques. L'utilisation d'autres pièces peut créer un danger ou endommager le produit.

Inspectez périodiquement l'ensemble du produit pour vérifier qu'il n'y a pas de pièces endommagées, manquantes ou desserrées, telles que des vis, des écrous, des boulons, des capuchons, etc. Serrez fermement toutes les fixations et tous les capuchons et n'utilisez pas ce produit tant que toutes les pièces manquantes ou endommagées n'ont pas été remplacées. Veuillez contacter le service clientèle ou un centre de service agréé pour obtenir de l'aide.

## Nettoyage

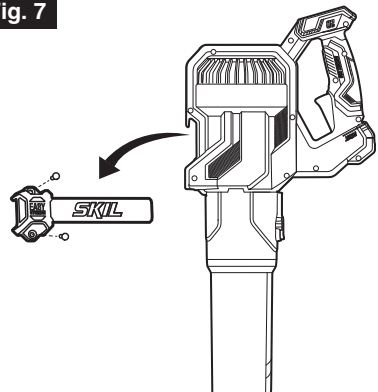
- Évitez d'utiliser des solvants pour nettoyer les pièces en plastique. La plupart des plastiques sont susceptibles d'être endommagés par divers types de solvants commerciaux et peuvent être endommagés par leur utilisation.
- Essuyez la surface avec un chiffon sec pour enlever la saleté, la poussière, l'huile, la graisse, etc.

**⚠ AVERTISSEMENT** Ne laissez jamais les liquides de frein, l'essence, les produits à base de pétrole, les huiles pénétrantes, etc., entrer en contact avec les pièces en plastique. Les produits chimiques peuvent endommager, affaiblir ou détruire le plastique, ce qui peut entraîner des blessures graves.

## Stockage

- Nivelez horizontalement et fixez solidement le rail de rangement facile sur un mur à l'aide de 2 vis (#6x1") (non fournies). Accrochez la souffleuse au rail de rangement facile à l'aide du crochet de rangement facile (Fig. 7).
- Nettoyez les entrées d'air de la souffleuse de tout corps étranger.
- Gardez-la éloignée des agents corrosifs, tels que les produits chimiques de jardinage et les sels de déglçage.
- Rangez la machine à l'intérieur, dans un endroit sec et verrouillé, hors de portée des enfants.
- Ne couvrez pas la machine avec du plastique (le plastique peut provoquer de l'humidité avec de la rouille / de la corrosion).

Fig. 7



## GUIDE DE DÉPANNAGE

Problème	Cause	Solution
Le moteur ne tourne pas.	La batterie n'est pas fixée à la souffleuse.	Fixez la batterie à la souffleuse.
	Il n'y a pas de contact électrique entre la souffleuse et la batterie.	Retirez le(s) batterie(s) ; vérifiez les contacts et réinstallez le(s) batterie(s).
	La charge de la batterie est épuisée.	Chargez la batterie.
	La batterie ou la souffleuse est trop chaude.	Éteignez la souffleuse et retirez la batterie de la souffleuse. Laissez la batterie ou la souffleuse refroidir.
La vitesse de l'air est sensiblement réduite.	Usure excessive du ventilateur du moteur.	Faites réparer la machine par un centre d'entretien ou une station de service SKIL agréé(e).
	L'entrée d'air est obstruée par des débris.	Retirez la batterie et éliminez les débris.

# **GARANTIE LIMITÉE DES ÉQUIPEMENTS ÉLECTRIQUES D'EXTÉRIEUR POUR LES CONSOMMATEURS DE SKIL**

## **GARANTIE LIMITÉE DE CINQ ANS – MENTIONS LÉGALES**

Chervon North America, Inc. (« Vendeur ») garantit à l'acheteur initial uniquement que tous les ÉQUIPEMENTS ÉLECTRIQUES D'EXTÉRIEUR pour les consommateurs de SKIL seront exempts de tout défaut de matériau ou de fabrication pendant une période de cinq ans à compter de la date de l'achat, à condition que l'acheteur d'origine ait enregistré le produit dans les 30 jours à compter de la date de l'achat. L'enregistrement des produits peut être effectué en ligne à l'adresse [www.Registermyskil.com](http://www.Registermyskil.com). L'acheteur doit également conserver son reçu comme preuve d'achat. LA PÉRIODE DE CINQ ANS DE GARANTIE DES OUTILS EST CONDITIONNÉE À L'ENREGISTREMENT DU PRODUIT DANS LES 30 JOURS SUIVANT LA DATE DE L'ACHAT. Si les acheteurs initiaux n'enregistrent pas leur produit dans les 30 jours suivant la date de leur achat, la garantie limitée ci-dessus s'appliquera pendant une durée de trois ans pour les équipements électriques d'extérieur. Toutes les piles et tous les chargeurs sont couverts par la garantie limitée de deux ans, avec ou sans enregistrement.

Nonobstant ce qui précède, si un outil pour les consommateurs de SKIL est utilisé à des fins industrielles, professionnelles ou commerciales, la garantie précédente s'appliquera seulement pendant une durée de quatre-vingt dix jours, indépendamment de l'enregistrement. LA SEULE OBLIGATION DU VENDEUR ET VOTRE SEUL REMÈDE en vertu de cette Garantie limitée et, dans la mesure où la loi le permet, de toute autre garantie ou condition légalement implicite, sera la réparation ou le remplacement à titre gratuit des pièces qui seront jugées défectueuses pour cause de vice de matériau ou de fabrication et qui n'auront pas été utilisées de façon abusive, manipulées sans précautions ou réparées incorrectement par des personnes autres que le Vendeur ou un Centre de service après-vente agréé. Pour vous prévaloir de la présente Garantie limitée, vous devez retourner le produit complet, en port payé, à un centre de service usine SKIL ou à un centre de service après-vente agréé. Pour trouver les centres de service après-vente agréés de SKIL pour des outils électriques, veuillez vous rendre sur le site [www.Registermyskil.com](http://www.Registermyskil.com) ou téléphoner au 1-877-SKIL-999 (1-877-754-5999).

CETTE GARANTIE LIMITÉE NE S'APPLIQUE PAS AUX PIÈCES D'ENTRETIEN COURANT ET AUX CONSOMMABLES QUI PEUVENT S'USER DANS LE CADRE D'UNE UTILISATION NORMALE PENDANT LA PÉRIODE DE GARANTIE, Y COMPRIS LES LAMES, LES TÊTES DE COUPE, LES BARRES DE CHAÎNES, LES CHAÎNES DE SCIE, LES COURROIES, LES BARRES DE RACLAGE ET LES BUSES DE SOUFFLEUSES.

LA DURÉE DE TOUTE GARANTIE IMPLICITE APPLICABLE À UN PRODUIT SERA LIMITÉE À LA DURÉE DES GARANTIES EXPRESSES APPLICABLES À CE PRODUIT, COMME INDIQUÉ AU PREMIER PARAGRAPHE CI-DESSUS. COMME CERTAINS ÉTATS AUX ÉTATS-UNIS ET CERTAINES PROVINCES AU CANADA NE PERMETTENT PAS DE LIMITATIONS DE LA DURÉE D'UNE GARANTIE IMPLICITE, LA LIMITATION CI-DESSUS NE S'APPLIQUE PEUT-ÊTRE PAS À VOUS.

CETTE GARANTIE LIMITÉE NE COUVRE PAS LES DOMMAGES RÉSULTANT D'UNE MODIFICATION, D'UNE ALTÉRATION OU D'UNE RÉPARATION NON AUTORISÉE. LE VENDEUR NE SERA EN AUCUN CAS RESPONSABLE POUR TOUS DOMMAGES INDIRECTS OU SECONDAIRES (Y COMPRIS, MAIS SANS LIMITATION, LA RESPONSABILITÉ AU TITRE DE LA PERTE DE BÉNÉFICES) RÉSULTANT DE LA VENTE OU DE L'EMPLOI DE CE PRODUIT. COMME CERTAINS ÉTATS AUX ÉTATS-UNIS ET CERTAINES PROVINCES AU CANADA NE PERMETTENT PAS L'EXCLUSION OU LA LIMITATION DE LA RESPONSABILITÉ POUR DOMMAGES INDIRECTS OU SECONDAIRES, LA LIMITATION CI-DESSUS NE S'APPLIQUE PEUT-ÊTRE PAS À VOUS.

CETTE GARANTIE LIMITÉE VOUS CONFÈRE DES GARANTIES JURIDIQUES PARTICULIÈRES, ET VOUS POUVEZ AUSSI AVOIR D'AUTRES DROITS, QUI VARIENT D'UN ÉTAT À L'AUTRE AUX ÉTATS-UNIS, D'UNE PROVINCE À L'AUTRE AU CANADA OU D'UN PAYS À L'AUTRE.


CETTE GARANTIE LIMITÉE NE S'APPLIQUE QU'ÀUX PRODUITS VENDUS AUX ÉTATS-UNIS D'AMÉRIQUE, AU CANADA ET À PORTO RICO. CONTACTEZ VOTRE DISTRIBUTEUR OU IMPORTATEUR LOCAL SKIL POUR OBTENIR DES INFORMATIONS SUR LA COUVERTURE DE LA GARANTIE DANS LES AUTRES PAYS.

© Chervon North America, 1203 E. Warrenville Rd, Naperville, IL 60563.

# SÍMBOLOS DE SEGURIDAD

El objetivo de los símbolos de seguridad es captar su atención ante posibles peligros. Los símbolos de seguridad y las explicaciones que se dan merecen su atención y comprensión cuidadosa. Las advertencias del símbolo no eliminan por sí mismas ningún peligro. Las instrucciones y las advertencias que se dan no son sustitutos de las medidas adecuadas de prevención de accidentes.

**⚠ ADVERTENCIA** Asegúrese de leer y de comprender todas las instrucciones de seguridad en este manual del propietario, incluidos todos los símbolos de alerta de seguridad como “**PELIGRO**”, “**ADVERTENCIA**” y “**PRECAUCIÓN**” antes de usar esta herramienta. El incumplimiento de las siguientes instrucciones puede provocar descargas eléctricas, incendios y/o lesiones personales graves.

Las definiciones que se ofrecen a continuación describen el nivel de gravedad de cada símbolo. Lea el manual y preste atención a dichos símbolos.	
	Este es el símbolo de advertencia de seguridad. Se utiliza para advertirlo de los peligros de posibles lesiones personales. Cumpla con todos los mensajes de seguridad a continuación de este símbolo para evitar posibles lesiones o consecuencias fatales.
<b>⚠ PELIGRO</b>	PELIGRO indica una situación de peligro que, de no evitarse, ocasionará la muerte o lesiones graves.
<b>⚠ ADVERTENCIA</b>	ADVERTENCIA indica una situación potencialmente peligrosa que, de no evitarse, puede ocasionar la muerte o lesiones graves.
<b>⚠ PRECAUCIÓN</b>	PRECAUCIÓN, se usa con el símbolo de advertencia de seguridad e indica una situación peligrosa que, de no evitarse, puede causar lesiones menores o moderadas.

## Mensajes de prevención de daños e información

Estos mensajes informan al usuario sobre informaciones y/o instrucciones importantes que, de no seguirse, pueden causar daños al equipo o la propiedad. Antes de cada mensaje, aparece la palabra “AVISO”, como en el ejemplo a continuación:

**AVISO** Si no se siguen estas instrucciones se pueden producir daños al equipo o la propiedad.



**⚠ ADVERTENCIA** El funcionamiento de cualquier herramienta eléctrica puede dar lugar a que objetos extraños se introduzcan en los ojos, lo que puede resultar en daños oculares graves. Antes de comenzar a operar la herramienta eléctrica, use siempre anteojos de seguridad con protectores laterales y una máscara facial completa cuando sea necesario. Recomendamos una mascarilla de seguridad Wide Vision para usar sobre anteojos o anteojos de seguridad estándar con protectores laterales. Usar siempre protección ocular marcada para cumplir con ANSI Z87.1.

# ÍNDICE

Advertencias generales de seguridad de la máquina . . . . .	39-41
Instrucciones de seguridad para sopladores . . . . .	42
Símbolos . . . . .	43-45
Conozca su soplador . . . . .	46
Especificaciones . . . . .	46
Ensamblaje . . . . .	47-48
Instrucciones de operación . . . . .	49-51
Mantenimiento . . . . .	52
Detección y solución de problemas . . . . .	53
Garantía limitada de equipos de energía para exteriores de consumo SKIL . . . .	54

# ADVERTENCIAS GENERALES DE SEGURIDAD DE LA MÁQUINA

**⚠ ADVERTENCIA** LEA TODAS LAS ADVERTENCIAS, INSTRUCCIONES, ILUSTRACIONES Y ESPECIFICACIONES DE SEGURIDAD PROPORCIONADAS CON ESTA MÁQUINA. No seguir todas las instrucciones enumeradas a continuación puede provocar una descarga eléctrica, un incendio y/o lesiones graves.

## GUARDE TODAS LAS ADVERTENCIAS E INSTRUCCIONES PARA FUTURAS CONSULTAS.

El término “máquina” en las advertencias se refiere a su máquina alimentada por red eléctrica (con cable) o a batería (inalámbrica).

### Seguridad en la zona de trabajo

**Mantenga la zona de trabajo limpia y bien iluminada.** Los lugares desordenados u oscuros propician accidentes.

**No utilice las máquinas en atmósferas explosivas, como en presencia de líquidos, gases o polvos inflamables.** Las máquinas crean chispas que pueden inflamar el polvo o los humos.

**Mantenga alejados a los niños y demás personas mientras utiliza la máquina.** Las distracciones pueden hacerle perder el control.

### Seguridad eléctrica

**Los enchufes de la máquina deben coincidir con la toma de corriente. No modifique nunca el enchufe de ninguna manera. No utilice enchufes adaptadores con máquinas conectadas a tierra.** Los enchufes no modificados y los tomacorrientes correspondientes reducirán el riesgo de descarga eléctrica.

**Evite el contacto del cuerpo con superficies conectadas a tierra, como tuberías, radiadores, estufas y refrigeradoras.** Existe un mayor riesgo de descarga eléctrica si su cuerpo está conectado a tierra.

**No exponga la máquina a la lluvia o a la humedad.** La entrada de agua en la máquina puede aumentar el riesgo de descarga eléctrica.

**No maltrate el cable. No utilice nunca el cable para transportar, jalar o desenchufar la máquina. Mantenga el cable alejado del calor, el aceite, los bordes afilados o las piezas móviles.** Los cables dañados o enredados aumentan el riesgo de descarga eléctrica.

**Cuando utilice la máquina al aire libre, utilice un cable alargador adecuado para uso en exteriores.** El uso de un cable adecuado para exteriores reduce el riesgo de descarga eléctrica.

**Si no puede evitar utilizar la máquina en un lugar húmedo, utilice un suministro protegido por un interruptor de circuito de fallo a tierra (GFCI).** El uso de un GFCI reduce el riesgo de descarga eléctrica.

### Seguridad personal

**Manténgase alerta, observe lo que hace y utilice el sentido común cuando opere la máquina. No utilice la máquina bajo los efectos de drogas, alcohol o medicamentos.** Un momento de distracción mientras se utilizan máquinas puede provocar lesiones personales graves.

**Utilice equipo de protección personal. Utilice siempre protección para los ojos.** El equipo de protección, como una máscara contra el polvo, calzado de seguridad antideslizante, casco o protección auditiva, utilizados en las condiciones adecuadas, reducirá las lesiones personales.

**Evite el arranque involuntario. Asegúrese de que el interruptor esté en la posición de apagado antes de conectarlo a la fuente de alimentación y/o al paquete de baterías, levantar o transportar la máquina.** Transportar máquinas con el dedo en el interruptor o activar máquinas que tienen el interruptor encendido invita a sufrir accidentes.

**Retire cualquier llave de ajuste o llave inglesa antes de encender la máquina.** Si se deja una llave inglesa o una llave fija en una pieza giratoria de la máquina, pueden producirse lesiones personales.

**No se estire demasiado. Mantenga la postura y el equilibrio en todo momento.** Esto permite un mejor control de la máquina en situaciones inesperadas.

**Use indumentaria adecuada. No lleve ropa suelta ni joyas. Mantenga el cabello y la ropa alejados de las partes móviles.** La ropa suelta, las joyas o el cabello largo pueden quedar atrapados en las piezas móviles.

**Si se proporcionan dispositivos para la conexión de instalaciones de extracción y recolección de polvo, asegúrese de que estén conectados y utilizados correctamente.** El uso de la captación de polvo puede reducir los riesgos relacionados con el polvo.

**No deje que la familiaridad adquirida por el uso frecuente de las máquinas le permita volverse complaciente e ignorar los principios de seguridad de las máquinas.** Una acción descuidada puede causar lesiones graves en una fracción de segundo.

## **Uso y cuidado de la máquina**

**No fuerce la máquina. Utilice la máquina adecuada para su aplicación.** La máquina correcta hará el trabajo mejor y de forma más segura al ritmo para el que fue diseñada.

**No utilice la máquina si el interruptor no la enciende y apaga.** Cualquier máquina que no pueda controlarse con el interruptor es peligrosa y debe repararse.

**Desconecte el enchufe de la fuente de alimentación y/o retire el paquete de baterías, si es desmontable, de la máquina antes de realizar cualquier ajuste, cambiar accesorios o almacenar las máquinas.** Estas medidas preventivas de seguridad reducen el riesgo de puesta en marcha accidental de la máquina.

**Guarde las máquinas inactivas fuera del alcance de los niños y no permita que las manejen personas que no estén familiarizadas con la máquina o con estas instrucciones.** Las máquinas son peligrosas en manos de usuarios sin formación.

**Mantenga las máquinas y los accesorios. Compruebe si las piezas móviles están desalineadas o atascadas, si hay piezas rotas o cualquier otra condición que pueda afectar al funcionamiento de la máquina. Si está dañada, haga reparar la máquina antes de utilizarla.** Muchos accidentes se deben a máquinas mal mantenidas.

**Mantenga las máquinas de corte afiladas y limpias.** Las máquinas de corte con un mantenimiento adecuado y bordes de corte afilados tienen menos probabilidades de atascarse y son más fáciles de controlar.

**Utilice la máquina, los accesorios y las brocas, etc., de acuerdo con estas instrucciones, teniendo en cuenta las condiciones de trabajo y el trabajo a realizar.** El uso de la máquina para operaciones distintas de las previstas puede provocar una situación peligrosa.

**Mantenga los mangos y las superficies de agarre secos, limpios y sin aceite ni grasa.** Los mangos y superficies de agarre resbaladizas no permiten un manejo y control seguros de la máquina en situaciones inesperadas.

## **Uso y cuidado de la máquina a batería**

**Recargue sólo con el cargador especificado por el fabricante.** Un cargador adecuado para un tipo de paquete de baterías puede crear riesgo de incendio si se utiliza con otro tipo de paquete de baterías.

**Utilice las máquinas sólo con los paquetes de baterías específicamente designados.** El uso de cualquier otro paquete de baterías puede crear un riesgo de lesiones e incendio.



**Cuando el paquete de baterías no esté en uso, manténgala alejada de otros objetos metálicos, como clips, monedas, llaves, clavos, tornillos u otros objetos metálicos pequeños, que puedan hacer conexión de un terminal a otro.** Un cortocircuito entre los terminales de la batería puede provocar quemaduras o un incendio.

**En condiciones abusivas, puede salir líquido de la batería; evite el contacto. En caso de contacto accidental, lavar con agua. Si el líquido entra en contacto con los ojos, busque además ayuda médica.** El líquido expulsado por la batería puede provocar irritaciones o quemaduras.

**No utilice paquetes de baterías o máquinas dañadas o modificadas.** Las baterías dañadas o modificadas pueden mostrar un comportamiento impredecible con el consiguiente riesgo de incendio, explosión o lesiones.

**No exponga el paquete de baterías ni la máquina al fuego ni a temperaturas excesivas.** La exposición al fuego o a temperaturas superiores a 130 °C (265 °F) puede provocar una explosión.

**Siga todas las instrucciones de carga y no cargue el paquete de baterías ni la máquina fuera del intervalo de temperatura especificado en las instrucciones.** Una carga inadecuada o a temperaturas fuera del rango especificado puede dañar el paquete de baterías y aumentar el riesgo de incendio.

## **Servicio**

**Encargue el mantenimiento de su máquina a un técnico calificado que utilice únicamente piezas de repuesto idénticas.** Esto garantizará que se mantenga la seguridad de la máquina.

**Nunca realice mantenimiento a paquetes de baterías dañados.** El mantenimiento de los paquetes de baterías sólo debe ser realizado por el fabricante o por un servicio técnico autorizado.

# INSTRUCCIONES DE SEGURIDAD PARA SOPLADORES

**No utilice la máquina en condiciones climáticas adversas, especialmente cuando exista riesgo de rayos.** Esto disminuye el riesgo de ser alcanzado por un rayo.

**Utilice protección para los ojos y los oídos.** Un equipo de protección adecuado reducirá el riesgo de lesiones personales.

**Al operar la máquina, utilice siempre calzado antideslizante y protector. No opere la máquina descalzo o con sandalias abiertas.** Esto reduce el riesgo de lesiones en los pies.

**No use ropa holgada ni artículos como bufandas, cordones, cadenas, corbatas, etc., que puedan quedar atrapados en las entradas de aire. Recójase o cubra el cabello largo para asegurarse de que no quede atrapado en las entradas de aire.** Si alguno de estos elementos entra en las entradas de aire, puede aumentar el riesgo de lesiones personales.

**Mantenga a las personas alejadas mientras opera la máquina.** Los escombros arrojados pueden aumentar el riesgo de lesiones personales.

**Nunca apunte la boquilla del soplador hacia personas o mascotas ni hacia ventanas. Tenga mucho cuidado al soplar escombros cerca de objetos sólidos, como árboles, automóviles y paredes que puedan hacer que los escombros reboten.** Los objetos arrojados pueden dañar la propiedad y aumentar el riesgo de lesiones personales.

**No utilice la máquina para soplar nada que esté ardiendo o humeando, como cigarrillos, fósforos o cenizas calientes.** Estas fuentes de ignición pueden aumentar el riesgo de incendio.

**No toque el ventilador mientras esté en movimiento. Apague la máquina y espere hasta que el ventilador se detenga antes de retirar cualquier pieza que pueda dar acceso al ventilador.** Esto reduce el riesgo de lesiones causadas por piezas móviles.

**Cuando limpie el material atascado o realice el mantenimiento de la máquina, asegúrese de que el interruptor de alimentación esté apagado y que se haya retirado el paquete de baterías.** El arranque inesperado de la máquina mientras se limpia material atascado o se realiza mantenimiento puede ocasionar lesiones personales graves.

**Inspeccione minuciosamente el área en busca de fauna silvestre donde se utilizará la máquina.** La fauna puede resultar herida por la máquina durante su funcionamiento.








**Úselo solo con los paquetes de baterías y cargadores que se enumeran a continuación:**






PAQUETE DE BATERÍAS				CARGADOR
2Ah	2.5Ah	4Ah	5Ah	SC535801 QC536001
BY519701 BY519702 BY5100B-00	BY519703	BY519601 BY5140B-00	BY519603	SC5358B-02 QC5359B-02 SC0030B-00

**AVISO** Consulte los manuales de la batería y el cargador para obtener instrucciones detalladas de seguridad y funcionamiento.

# SÍMBOLOS

**IMPORTANTE:** Algunos de los siguientes símbolos de información de certificación pueden utilizarse en su herramienta. Estúdielos y aprenda su significado. La correcta interpretación de estos símbolos le permitirá manejar la herramienta mejor y con mayor seguridad.

Símbolo	Nombre	Designación/Explicación
V	Voltios	Tensión (potencial)
A	Amperios	Corriente
Hz	Hercio	Frecuencia (ciclos por segundo)
W	Vatio	Encendido
kg	Kilogramos	Peso
min	Minutos	Tiempo
s	Segundos	Tiempo
Wh	Vatios por hora	Capacidad de la batería
Ah	Amperios por hora	Capacidad de la batería
$\sigma$	Diámetro	Tamaño de las brocas taladradoras, los discos de amolar, etc.
$n_0$	Velocidad sin carga	Velocidad de rotación en vacío
n	Velocidad nominal	Velocidad máxima alcanzable
.../min	Revoluciones o reciprocidad por minuto	Revoluciones, carreras, velocidad de superficie, órbitas, etc. por minuto
O	Posición de apagado	Velocidad cero, fuerza de torsión cero...
1,2,3,... I,II,III,	Ajustes del selector	Ajustes de velocidad, fuerza de torsión o posición. Un número más alto significa mayor velocidad
IP...	Clasificación de protección de entrada	Clasifica el grado de protección proporcionado por un cerramiento para equipos eléctricos.
0 	Selector infinitamente variable con apagado	La velocidad está aumentado desde el ajuste 0
	Flecha	Acción en el sentido de la flecha
	Corriente alterna	Tipo o característica de corriente
	Corriente continua	Tipo o característica de corriente
	Corriente alterna o continua	Tipo o característica de corriente
	Herramienta de Clase II	Designa las herramientas de construcción con doble aislamiento.
	Terminal de tierra	Terminal de tierra

Símbolo	Nombre	Designación/Explicación
	Junta Li-ion RBRC	Designa un programa de reciclaje de baterías de iones de litio
	Leer los símbolos del manual	Avisa al usuario para que lea el manual
	Símbolo de uso de protección ocular	Utilice siempre lentes de protección o lentes de seguridad con protecciones laterales y una careta completa cuando maneje este producto.
	Use protección auditiva	El ruido del soplador puede dañar su audición. Utilice siempre barreras acústicas (tapones u orejeras) para proteger su audición.
	Mantenga alejados a los curiosos	Mantenga a todos los curiosos alejados del producto durante su utilización.

## SÍMBOLOS (INFORMACIÓN DE CERTIFICACIÓN)

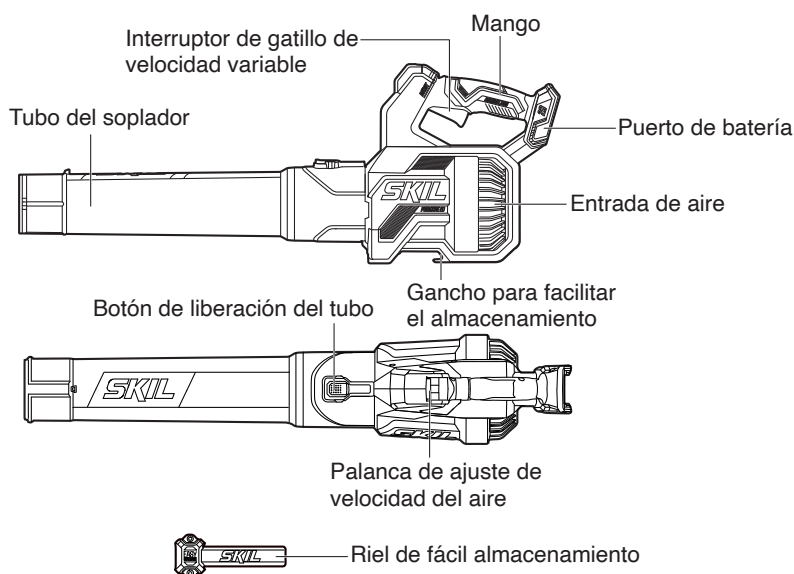
**IMPORTANTE:** Algunos de los siguientes símbolos de información de certificación pueden utilizarse en su herramienta. Estúdielos y aprenda su significado. La correcta interpretación de estos símbolos le permitirá manejar la herramienta mejor y con mayor seguridad.

Símbolo	Designación/Explicación
	Este símbolo indica que esta herramienta está registrada por Underwriters Laboratories.
	Este símbolo designa que este componente está reconocido por Underwriters Laboratories.
	Este símbolo indica que esta herramienta está registrada por Underwriters Laboratories, según las normas estadounidenses y canadienses.
	Este símbolo indica que esta herramienta está registrada por la Canadian Standards Association.
	Este símbolo indica que esta herramienta está registrada por la Canadian Standards Association, según las normas estadounidenses y canadienses.
	Este símbolo indica que esta herramienta está registrada por Intertek Testing Services, según las normas estadounidenses y canadienses.

# CONOZCA SU SOPLADOR

## Soplador de 20V

Fig. 1



## ESPECIFICACIONES

N.º de modelo	BL0420B-00
Tensión nominal	20V CC
Volumen de aire	Máx. 420 CFM
Velocidad del aire	Máx. 105 MPH
Temperatura de funcionamiento recomendada	5 – 104°F (-15 – 40°C)
Temperatura de almacenamiento recomendada	32 – 104°F (0 – 40°C)
Grado de protección de entrada	IPX4* (Protección contra salpicaduras de agua)

\* **NOTA:** La clasificación IPX4 se basa en el uso de la máquina y la batería juntas como un sistema.

## ENSAMBLAJE

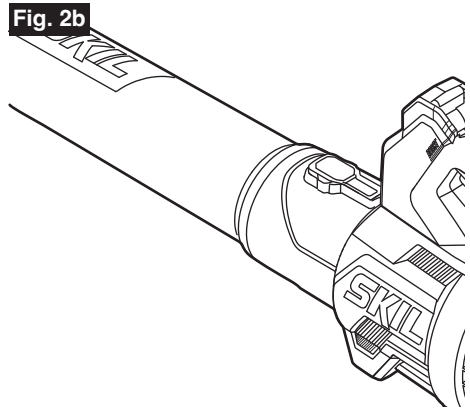
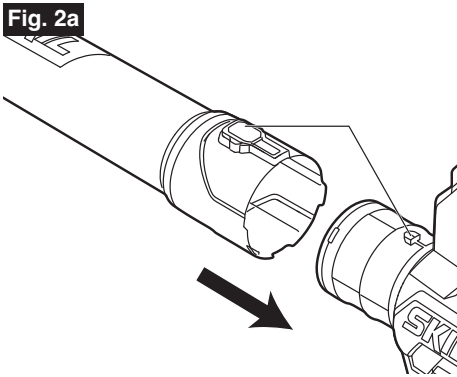
**⚠ ADVERTENCIA** Si alguna pieza está dañada o falta, no opere este producto hasta que se reemplacen las piezas. El uso de este producto con piezas dañadas o faltantes podría provocar lesiones personales graves.

**⚠ ADVERTENCIA** No intente modificar este producto ni crear accesorios no recomendados para su uso con este soplador. Cualquier alteración o modificación de este tipo constituye un uso indebido y podría provocar una situación peligrosa que puede causar posibles daños personales graves.

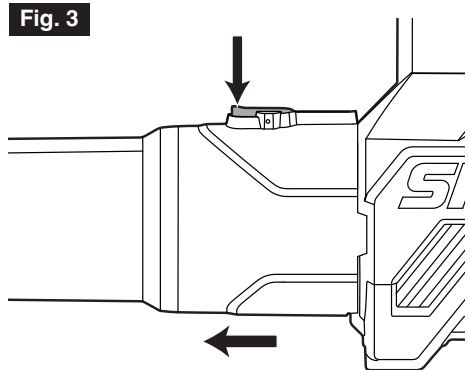
### Armado de los tubos del soplador

**⚠ ADVERTENCIA** Para evitar un arranque accidental que podría causar lesiones personales graves, siempre retire el paquete de baterías del soplador al ensamblar las piezas.

Alinee la ranura del tubo con la perilla de la carcasa del soplador. Empuje el tubo sobre la carcasa del soplador hasta que el cierre encaje en su lugar (Fig. 2a, 2b).



Para quitar el tubo, presione y mantenga presionado el botón de liberación del tubo para desenganchar el cierre y luego tire del tubo directamente del soplador (Fig. 3).



## Cómo colocar/retirar la batería (Fig. 4)

Cómo colocar la batería:

**⚠ ADVERTENCIA** Las herramientas a batería siempre están en condiciones de funcionar. Por lo tanto, retire la batería cuando la máquina no esté en uso o cuando la transporte a su lado.

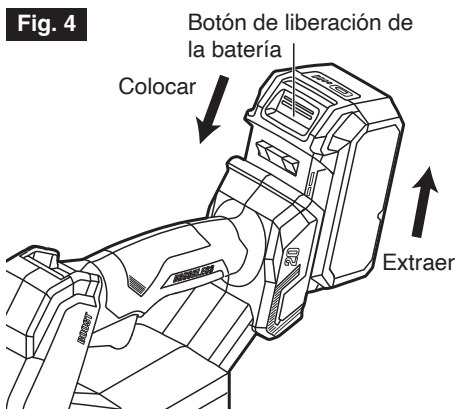
1. Alinee las nervaduras del paquete de baterías con las ranuras de montaje en el puerto de la batería del soplador.
2. Deslice el paquete de baterías en el puerto de la batería hasta que encaje en su posición.

**AVISO** Asegúrese de que el cierre del paquete de baterías encaje en su lugar y que el paquete de baterías esté asegurado a la máquina antes de comenzar a operar.

Cómo retirar el paquete de baterías:

Presione el botón de liberación de la batería situado en la parte frontal de la batería para liberarla. Saque el paquete de baterías y retírelo de la máquina.

1. Sujete el paquete de baterías con la palma de la mano.
2. Pulse el botón de liberación de la batería con el pulgar; la batería se desenganchará del cierre.
3. Agarre el paquete de baterías y extráigalo de la máquina.





# INSTRUCCIONES DE OPERACIÓN

**⚠ ADVERTENCIA** Para reducir el riesgo de incendio, lesiones personales y daños al producto debido a un cortocircuito, nunca sumerja la máquina, el paquete de baterías o el cargador en líquido ni permita que el líquido fluya dentro de ellos. Los líquidos corrosivos o conductores, como el agua de mar, ciertos productos químicos industriales y blanqueadores o los productos que contienen blanqueadores, etc., pueden provocar un cortocircuito.

**⚠ ADVERTENCIA** No utilice ningún accesorio no recomendado por el fabricante de este producto. El uso de accesorios o complementos no recomendados puede ocasionar lesiones personales graves.

**⚠ ADVERTENCIA** No permita que la familiaridad con este producto lo haga ser descuidado. Recuerde que una fracción de segundo por descuido es suficiente para causar lesiones graves.

**⚠ ADVERTENCIA** No utilice ningún accesorio no recomendado por el fabricante de este producto. El uso de accesorios o aditamentos no recomendados puede ocasionar lesiones personales graves.

**⚠ ADVERTENCIA** Siempre use protección para los ojos con protectores laterales marcados para cumplir con ANSI Z87.1. De lo contrario, objetos podrían salir despedidos hacia sus ojos.

**⚠ ADVERTENCIA** Siempre use protección para los oídos. La exposición al ruido puede contribuir a la pérdida de audición.

**⚠ ADVERTENCIA** Para evitar un arranque accidental que podría causar lesiones personales graves, retire siempre el paquete de baterías de la máquina antes de realizar tareas de mantenimiento o ajustes.

## Antes de usar :

- Inspeccione periódicamente toda la herramienta en busca de piezas dañadas, faltantes o sueltas, como tornillos, tuercas, pernos, tapas, etc. Apriete firmemente todas las fijaciones y tapas y no utilice este producto hasta que todas las piezas faltantes o dañadas hayan sido sustituidas.
- Esta máquina está destinada a ser utilizada por el operador a nivel del suelo y no en escaleras ni en ningún soporte inestable.
- Si esta máquina parece tener una vibración excesiva, detenga la máquina e inspecciónela en busca de daños.

## Aplicación

Puede utilizar este producto para los fines que se enumeran a continuación:

- Limpieza de superficies duras, como caminos de acceso y banquetas
- Mantener las terrazas y los caminos de acceso libres de hojas y agujas de pino

## Arranque/parada del soplador

### Con el interruptor de gatillo de velocidad variable (Fig. 5):

- Presione el interruptor de gatillo de velocidad variable para encender el soplador.
- La velocidad del aire del soplador se controla con el gatillo de velocidad variable. Una mayor presión en el gatillo da como resultado velocidades de soplado más altas; una menor presión en el gatillo da como resultado velocidades de soplado más bajas. Ajuste la velocidad para adaptarla a la tarea en cuestión.
- Suelte el interruptor de gatillo de velocidad variable para apagar el soplador.

### Con la palanca de ajuste de velocidad del aire:

- Comience a tirar de la palanca de ajuste de la velocidad del aire hacia atrás (hacia el mango) para encender el soplador sin tocar el interruptor del gatillo (Fig. 6a).
- A medida que se tira hacia atrás de la palanca de ajuste de la velocidad del aire, verá que el interruptor de gatillo de velocidad variable se presiona y la velocidad del aire aumenta simultáneamente.
- La palanca de ajuste de la velocidad del aire se mantendrá en la posición donde la suelte y mantendrá la velocidad del aire sin necesidad de presionar nada.

### Modo de impulso:

Su soplador solo puede alcanzar su velocidad máxima del aire tirando de la palanca de ajuste de la velocidad del aire completamente hacia atrás hasta la posición "BOOST" y manteniéndola (Fig. 6b).

**NOTA:** La velocidad máxima no se puede alcanzar presionando el interruptor de gatillo de velocidad variable.

Fig. 5

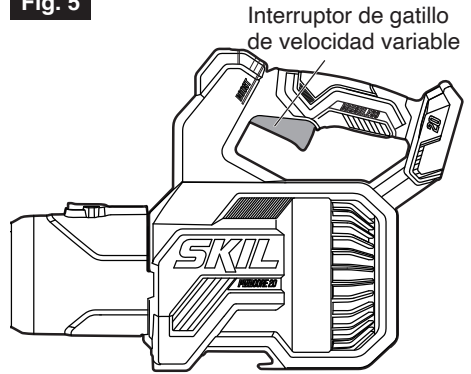


Fig. 6a

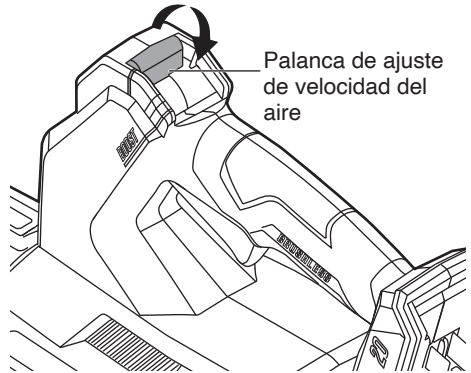
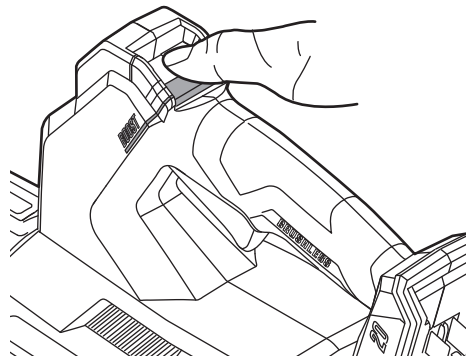


Fig. 6b

Modo BOOST



Suelte la palanca de ajuste de velocidad del aire de la posición “BOOST”, la palanca rebotará a la posición “MÁXIMA” y la máquina volverá a la velocidad máxima del aire que se puede lograr presionando completamente el interruptor de gatillo de velocidad variable (Fig. 6c).

- Empuje la palanca de ajuste de la velocidad del aire completamente hacia adelante (hacia el tubo del soplador) para apagar el soplador.

**AVISO** La palanca de ajuste de la velocidad del aire debe empujarse siempre completamente hacia adelante antes de apagar el soplador.

**⚠ ADVERTENCIA** Retire siempre el paquete de baterías del soplador durante los descansos del trabajo y después de terminar el trabajo.

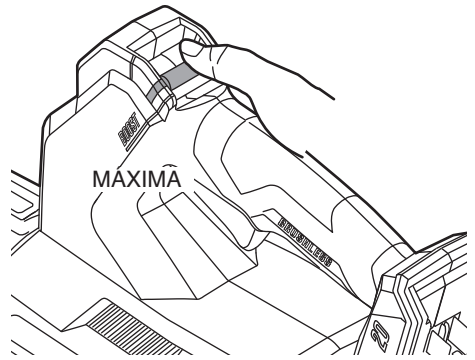
### Funcionamiento del soplador

**⚠ ADVERTENCIA** Mientras trabaja, sujete siempre la máquina firmemente.

**⚠ ADVERTENCIA** Mantenga cualquier abertura de ventilación libre de residuos.

- Para evitar que los escombros se dispersen, sople alrededor de los bordes exteriores de una pila de residuos. Nunca sople directamente en el centro de una pila.
- Para reducir los niveles de sonido, limite el número de equipos utilizados al mismo tiempo.
- Utilice rastrillos y escobas para soltar los residuos antes de soplar. En condiciones de mucho polvo, humedezca ligeramente las superficies si hay agua disponible.
- Ahorre agua usando sopladores eléctricos en lugar de mangueras para muchas aplicaciones de césped y jardín, incluidas áreas como canaletas, pantallas, patios, parrillas, porches y jardines.
- Tenga cuidado con los niños, las mascotas, las ventanas abiertas o los automóviles recién lavados y sople los residuos de manera segura.
- Después de usar sopladores u otros equipos, ¡limpie! Deseche los escombros de manera adecuada.

Fig. 6c



## MANTENIMIENTO

**⚠ ADVERTENCIA** Antes de inspeccionar, limpiar o reparar la unidad, detenga el motor, espere a que se detengan todas las piezas móviles y retire el paquete de baterías. El incumplimiento de estas instrucciones puede resultar en lesiones personales graves o daños a la propiedad.

**⚠ ADVERTENCIA** Al realizar el mantenimiento, utilice únicamente piezas de repuesto idénticas. El uso de cualquier otra pieza puede crear un peligro o causar daños en el producto.

Inspeccione periódicamente toda la herramienta en busca de piezas dañadas, faltantes o sueltas, como tornillos, tuercas, pernos, tapas, etc. Apriete firmemente todas las fijaciones y tapas y no utilice este producto hasta que todas las piezas faltantes o dañadas hayan sido sustituidas. Póngase en contacto con el servicio de atención al cliente o con un centro de servicio autorizado para obtener ayuda.

## Limpieza

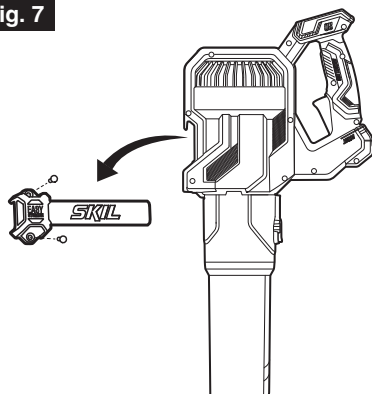
- Evite utilizar disolventes para limpiar las piezas de plástico. La mayoría de los plásticos son susceptibles de sufrir daños por el uso de diversos tipos de disolventes comerciales.
- Limpie la superficie con un paño seco para eliminar suciedad, polvo, aceite, grasa, etc.

**⚠ ADVERTENCIA** No permita en ningún momento que líquidos de frenos, gasolina, productos a base de petróleo, aceites penetrantes, etc. entren en contacto con piezas de plástico. Los productos químicos pueden dañar, debilitar o destruir el plástico, lo que puede provocar lesiones personales graves.

## Almacenamiento

- Nivele horizontalmente y monte firmemente el riel que facilita el almacenamiento en la pared con 2 tornillos (#6x1") (no suministrados). Cuelgue el soplador en el riel que facilita el almacenamiento usando el gancho (Fig. 7).
- Limpie todo el material extraño de las entradas de aire del soplador.
- Manténgalo alejado de agentes corrosivos como productos químicos de jardinería y sales de deshielo.
- Guarde la máquina en el interior, en un lugar seco y cerrado con llave, fuera del alcance de los niños.
- No cubra la máquina con plástico (el plástico puede causar humedad con óxido/corrosión como resultado).

Fig. 7



## SOLUCIÓN DE PROBLEMAS

Problema	Causa	Solución
El motor no funciona.	El paquete de baterías no está conectado al soplador.	Conecte el paquete de baterías al soplador.
	No hay contacto eléctrico entre el soplador y el paquete de baterías.	Retire el paquete de baterías, verifique los contactos y vuelva a instalar el paquete de baterías.
	La carga del paquete de baterías está agotada.	Cargue el paquete de baterías.
	El paquete de baterías o el soplador están demasiado calientes.	Apague el soplador y retire el paquete de baterías del soplador. Deje que la batería o el soplador se enfríen.
La velocidad del aire se reduce notablemente.	Desgaste excesivo del ventilador del motor.	Haga reparar la máquina en un centro de servicio o estación de servicio autorizado SKIL.
	La entrada de aire está bloqueada por residuos.	Retire el paquete de baterías y limpie los residuos.

# **GARANTÍA LIMITADA DE EQUIPOS DE ENERGÍA PARA EXTERIORES DE CONSUMO SKIL**

## **GARANTÍA LIMITADA DE 5 AÑOS, TEXTO LEGAL**

Chervon North America, Inc., (el "Vendedor") garantiza, únicamente al comprador original, que todos los EQUIPOS DE ENERGÍA PARA EXTERIORES de consumo SKIL estarán libres de defectos de material o de fabricación durante un período de cinco años a partir de la fecha de compra, si el comprador original registra el producto dentro del plazo de 30 días después de realizar su compra. El registro del producto se puede completar en línea en [www.Registermyskil.com](http://www.Registermyskil.com). Los compradores deberán también retener su recibo como comprobante de compra. EL PERÍODO DE GARANTÍA DE CINCO AÑOS PARA LAS HERRAMIENTAS ESTÁ CONDICIONADO A QUE SE REGISTRE EL PRODUCTO DENTRO DEL PLAZO DE 30 DÍAS DESPUÉS DE REALIZAR SU COMPRA. Si los compradores originales no registran su producto dentro del plazo de 30 días después de realizar la compra, la garantía limitada que antecede se aplicará con una duración de tres años para los equipos de energía para exteriores. Todas las baterías y cargadores están garantizados bajo la garantía limitada de dos años, independientemente de que se registren o no se registren.

Con independencia de lo anterior, si una herramienta de consumo SKIL se utiliza para fines industriales, profesionales o comerciales, la garantía que antecede tendrá aplicación con una duración de noventa días, independientemente de que se haya registrado o no se haya registrado.

LA ÚNICA OBLIGACIÓN DEL VENDEDOR Y EL RECURSO EXCLUSIVO QUE USTED TIENE bajo esta Garantía Limitada y, hasta donde la ley lo permita, bajo cualquier garantía o condición implícita por ley, consistirá en la reparación o el reemplazo, sin cargo alguno, de las piezas que presenten defectos de material o de fabricación y que no hayan sido utilizadas incorrectamente, manejadas descuidadamente o reparadas por personas que no sean el Vendedor o una Estación de Servicio Autorizada. Para presentar un reclamo bajo esta Garantía Limitada, usted debe devolver el producto completo, con el transporte prepago, a cualquier Centro de Servicio de Fábrica SKIL o Estación de Servicio SKIL Autorizada. Para localizar las Estaciones de Servicio Autorizadas de Herramientas Eléctricas SKIL, sírvase visitar [www.Registermyskil.com](http://www.Registermyskil.com) o llamar al 1-877-SKIL-999 (1-877-754-5999).

ESTA GARANTÍA LIMITADA NO SE APLICA A LAS PIEZAS Y LOS CONSUMIBLES DE MANTENIMIENTO DE RUTINA QUE SE PUEDEN DESGASTAR COMO RESULTADO DEL USO NORMAL DENTRO DEL PERÍODO DE GARANTÍA, LO CUAL INCLUYE HOJAS DE CORTE, CABEZALES DE ORILLADORA, ESPADAS DE CADENA, MOTOSIERRAS, CORREAS, BARRAS RASCADORAS Y BOQUILLAS DE SOPLADOR.

TODAS LAS GARANTÍAS IMPLÍCITAS APLICABLES A UN PRODUCTO ESTARÁN LIMITADAS EN DURACIÓN A LA MISMA DURACIÓN QUE TENGAN LAS GARANTÍAS EXPRESAS APLICABLES A DICHO PRODUCTO, TAL Y COMO SE ESTABLECE EN EL PRIMER PÁRRAFO QUE ANTECEDE. ALGUNOS ESTADOS DE LOS EE.UU. Y ALGUNAS PROVINCIAS CANADIENSES NO PERMITEN LIMITACIONES EN CUANTO A LA DURACIÓN DE UNA GARANTÍA IMPLÍCITA, POR LO QUE ES POSIBLE QUE LA LIMITACIÓN QUE ANTECEDE NO TENGA APLICACIÓN EN EL CASO DE USTED.

ESTA GARANTÍA LIMITADA NO CUBRE LOS DAÑOS QUE RESULTEN DE MODIFICACIONES, ALTERACIONES O REPARACIONES NO AUTORIZADAS. EL VENDEDOR NO SERÁ RESPONSABLE EN NINGÚN CASO POR DAÑOS INCIDENTALES O EMERGENTES (INCLUYENDO, PERO SIN LIMITARSE A, RESPONSABILIDAD POR PÉRDIDA DE GANANCIAS) QUE SURJAN DE LA VENTA O EL USO DE ESTE PRODUCTO. ALGUNOS ESTADOS DE LOS EE.UU. Y ALGUNAS PROVINCIAS CANADIENSES NO PERMITEN LA EXCLUSIÓN O LIMITACIÓN DE LOS DAÑOS INCIDENTALES O EMERGENTES, POR LO QUE ES POSIBLE QUE LA LIMITACIÓN O EXCLUSIÓN QUE ANTECEDE NO TENGA APLICACIÓN EN EL CASO DE USTED,

ESTA GARANTÍA LIMITADA LE CONFIERE A USTED DERECHOS LEGALES ESPECÍFICOS Y ES POSIBLE QUE USTED TENGA TAMBIÉN OTROS DERECHOS QUE VARIAN DE UN ESTADO A OTRO EN LOS EE.UU., DE UNA PROVINCIA A OTRA EN CANADÁ Y DE UN PAÍS A OTRO.

ESTA GARANTÍA LIMITADA SE APLICA SOLAMENTE A LOS PRODUCTOS VENDIDOS EN LOS ESTADOS UNIDOS DE AMÉRICA, CANADÁ Y EL ESTADO LIBRE ASOCIADO DE PUERTO RICO. PARA OBTENER COBERTURA DE GARANTÍA EN OTROS PAÍSES, PÓNGASE EN CONTACTO CON SU DISTRIBUIDOR O IMPORTADOR LOCAL DE SKIL.

© Chervon North America, 1203 E. Warrenville Rd, Naperville, IL 60563.



